

High Efficiency PolyPhase Synchronous Boost Converter

DESCRIPTION

Demonstration circuit DC1411 is DC/DC boost converter featuring the LTC3787 constant frequency current mode boost controller. The DC1411A operates over 5V to 24V input and provides 6A to 16A of output current as shown in figure 3. The 350kHz constant frequency operation results in small and efficient circuit. The converter provides high output voltage accuracy (typically $\pm 3\%$) over wide load range with no minimum load requirement. The demonstration circuit can be easily modified to generate different output voltages. Please consult LTC factory for details.

The DC1411 has small circuit footprint. It is a high performance and cost effective solution for Telecom, Automotive and Power Over Ethernet applications.

Design files for this circuit board are available. Call the LTC factory.

LTC, LTC, LTM, LT, Burst Mode, OPTI-LOOP, Over-The-Top and PolyPhase are registered trademarks of Linear Technology Corporation. Adaptive Power, C-Load, DirectSense, Easy Drive, FilterCAD, Hot Swap, LinearView, μ Module, Micropower SwitcherCAD, Multimode Dimming, No Latency $\Delta\Sigma$, No Latency Delta-Sigma, No RSENSE, Operational Filter, PanelProtect, PowerPath, PowerSOT, SmartStart, SoftSpan, Stage Shedding, SwitcherCAD, ThinSOT, UltraFast and VLDO are trademarks of Linear Technology Corporation. Other product names may be trademarks of the companies that manufacture the products.

Table 1. Performance Summary

PARAMETER	CONDITION	VALUE
Minimum Input Voltage	$I_{OUT} = 0A$ to 6A	5V
Maximum Input Voltage	$I_{OUT} = 0A$ to 16A	24V
V_{OUT}	$V_{IN} = 5V$ to 24V, $I_{OUT} = 0A$ to 6A	24V $\pm 3\%$
Typical Output Ripple V_{OUT}	$V_{IN} = 5V$ to 24V, $I_{OUT} = 6A$	200mV _{p-p}
Nominal Switching Frequency		350kHz

QUICK START PROCEDURE

Demonstration circuit DC1411 is easy to set up to evaluate the performance of the LTC3787. For proper measurement equipment setup refer to Figure 1 and follow the procedure below:

NOTE: When measuring the input or output voltage ripple, care must be taken to minimize the length of oscilloscope probe ground lead. Measure the input or output voltage ripple by connecting the probe tip directly across the V_{IN} or V_{OUT} and GND terminals as shown in Figure 2.

1. With power off, connect the input power supply to V_{in} and GND.
2. Check the V_{cc} Bias voltage-setting jumper JP5. Move it into V_{in} position if required.

3. Turn the input power source on and slowly increase the input voltage. Be careful not to exceed 24V.

NOTE: Make sure that the input voltage V_{in} does not exceed 24V. If higher operating voltage is required, power components with higher voltage ratings should be used.

4. Set the input voltage to 6V and check for the proper output voltage of 24V. If there is no output, temporarily disconnect the load to make sure that the load is not set too high.
5. Once the proper output voltage is established, adjust the load and observe the output voltage regulation, ripple voltage, efficiency and other parameters.

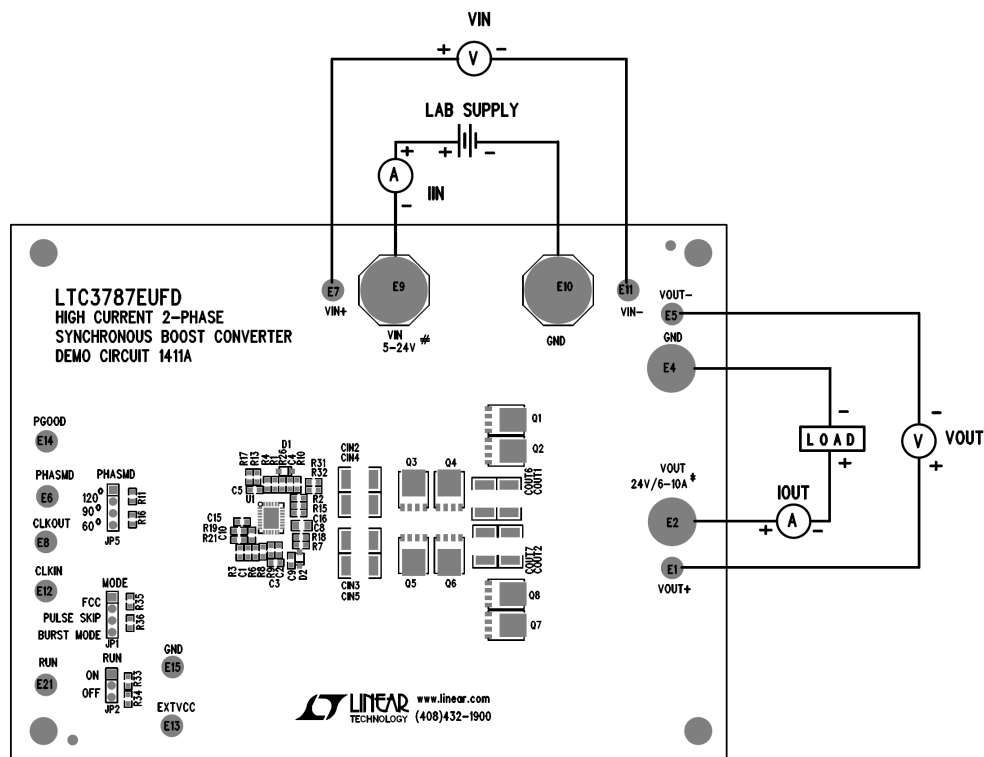


Figure 1. Proper Measurement Equipment Setup

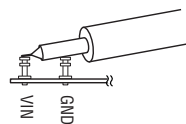


Figure 2. Measuring Input or Output Ripple

CHANGING THE OUTPUT VOLTAGE

To set the output voltage lower than 24V, change the bottom voltage divider resistors connected to LTC3787 FB pin (see the schematic on page 4). To get higher than 24V output voltage MOSFETs and capacitors with higher voltage ratings may be required. Please contact LTC factory for details.

Note that the output voltage will start following the input voltage when input voltage is greater than the voltage set by the voltage divider. In this mode (**wire mode**) the synchronous output rectifier MOSFET is turned continuously ON. The only losses in this

mode are due to the current sense resistors, inductors and output MOSFETs DC resistance.

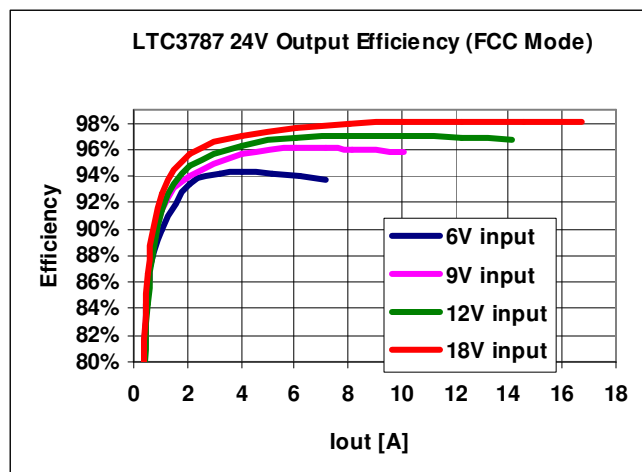


Figure 3. High efficiency of DC1411 allows the board to be used in thermally critical applications with outputs over 3A.

CONVERTER EFFICIENCY AND OUTPUT CURRENT

The DC1411 output current capability depends on the input voltage and proper cooling. Typical performance of DC1411A is shown in Figure 3. As can be seen from Figure 3, the output current capability depends on the input voltage. Also, when input voltage is equal to, or higher than the output voltage setting (wire mode) the efficiency is very high (99%) since the converter is not really running and the output MOSFET is shorting V_{in} to V_{out} .

OUTPUT LOAD STEP RESPONSE

The load step response of DC1411A is very good even though relatively small amount of output capacitance is present at the output. If higher load steps need to be handled more output capacitance can be added in order to keep the voltage transients at the desired level. The load step transients are shown in Figure 4. Also, note that the load step response even from 0% load is excellent thanks to synchronous rectification.

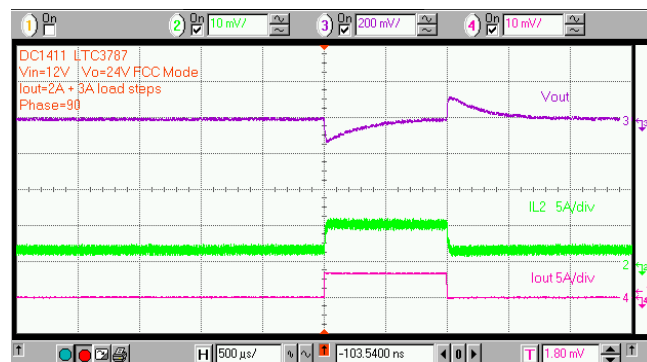


Figure 4. Fast transient response of DC1411 is achieved with a small amount of output capacitance.

SOFT START FUNCTION

The DC1411 features soft-start circuit that controls the inrush current and output voltage ramp at startup. The capacitor C_{15} (Figure 6) controls the startup period. The startup waveforms are shown in figure 5. Please note the output voltage step at about -6ms mark. The step is resulting from synchronous MOSFET being turned on. When the synchronous MOSFET is turned on the voltage drop across the synchronous MOSFET (body diode) is reduced from about 0.7V to $I_{out} \cdot R_{dson}$. While the synchronous MOSFET is in off state (prior to -6ms mark) the synchronous MOSFET body diode is dissipating about $0.7\text{V} \cdot I_{out}$ or about 4.2W with 6A load. Please refer to the LTC3787 data sheet for details about proper handling of synchronous MOSFET in your application.

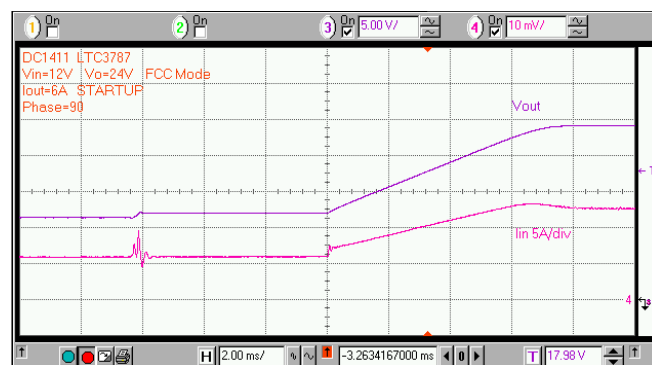
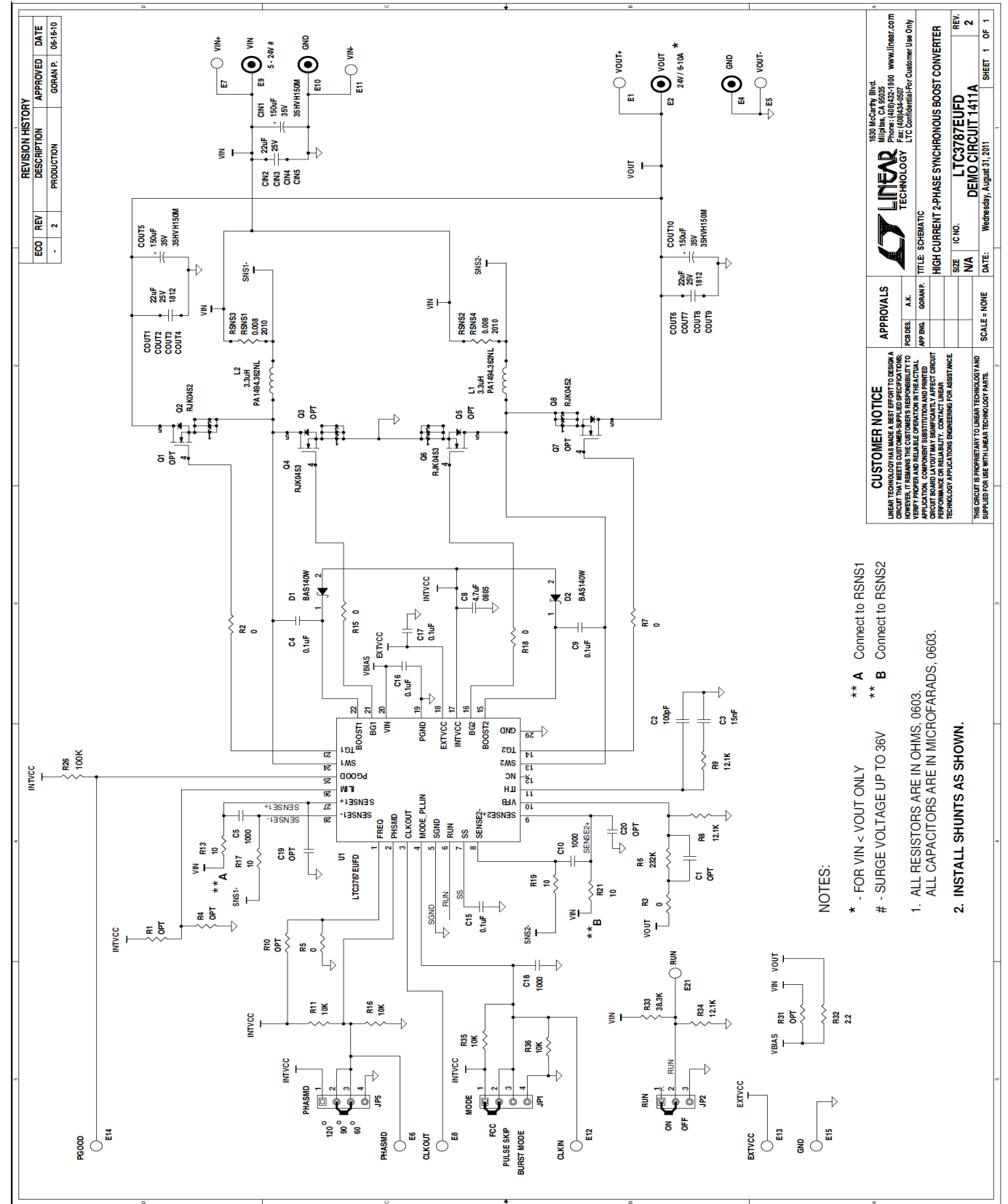


Figure 5. The DC1411 ramps the output slowly at startup without generating an input current surge.



REVISION HISTORY

ECO	REV	DESCRIPTION	APPROVED	DATE
-	2	PRODUCTION	GORAN P.	06-16-0

CUSTOMER NOTICE
 LINEAR TECHNOLOGY HAS MADE A BEST EFFORT TO DESIGN A CIRCUIT THAT MEETS CUSTOMER-SUPPLIED SPECIFICATIONS. THE USER MUST VERIFY THAT THE CIRCUIT MEETS ALL REQUIREMENTS FOR THE APPLICATION. COMPONENT SUBSTITUTION AND PRINTED CIRCUIT BOARD LAYOUT MAY SIGNIFICANTLY AFFECT CIRCUIT PERFORMANCE. LINEAR TECHNOLOGY PROVIDES DESIGN ASSISTANCE TECHNOLOGY APPLICATIONS ENGINEERING FOR ASSISTANCE.

APPROVALS

FIGURE	A.K.	APP ENG.	GORAN P.

TITLE SCHEMATIC
HIGH CURRENT 2-PHASE SYNCHRONOUS BOOST CONVERTER

IC NO. LTC3787EUFD
REV. 2
DATE: Wednesday, August 31, 2011
SHEET 1 OF 1

- NOTES:**
- * - FOR VIN < VOUT ONLY
 - ** A Connect to RSNS1
 - ** B Connect to RSNS2
 - # - SURGE VOLTAGE UP TO 36V
1. ALL RESISTORS ARE IN OHMS, 0603.
 - ALL CAPACITORS ARE IN MICROFARADS, 0603.
 2. INSTALL SHUNTS AS SHOWN.

Компания «Океан Электроники» предлагает заключение долгосрочных отношений при поставках импортных электронных компонентов на взаимовыгодных условиях!

Наши преимущества:

- Поставка оригинальных импортных электронных компонентов напрямую с производств Америки, Европы и Азии, а так же с крупнейших складов мира;
- Широкая линейка поставок активных и пассивных импортных электронных компонентов (более 30 млн. наименований);
- Поставка сложных, дефицитных, либо снятых с производства позиций;
- Оперативные сроки поставки под заказ (от 5 рабочих дней);
- Экспресс доставка в любую точку России;
- Помощь Конструкторского Отдела и консультации квалифицированных инженеров;
- Техническая поддержка проекта, помощь в подборе аналогов, поставка прототипов;
- Поставка электронных компонентов под контролем ВП;
- Система менеджмента качества сертифицирована по Международному стандарту ISO 9001;
- При необходимости вся продукция военного и аэрокосмического назначения проходит испытания и сертификацию в лаборатории (по согласованию с заказчиком);
- Поставка специализированных компонентов военного и аэрокосмического уровня качества (Xilinx, Altera, Analog Devices, Intersil, Interpoint, Microsemi, Actel, Aeroflex, Peregrine, VPT, Syfer, Eurofarad, Texas Instruments, MS Kennedy, Miteq, Cobham, E2V, MA-COM, Hittite, Mini-Circuits, General Dynamics и др.);

Компания «Океан Электроники» является официальным дистрибьютором и эксклюзивным представителем в России одного из крупнейших производителей разъемов военного и аэрокосмического назначения «JONHON», а так же официальным дистрибьютором и эксклюзивным представителем в России производителя высокотехнологичных и надежных решений для передачи СВЧ сигналов «FORSTAR».



JONHON

«JONHON» (основан в 1970 г.)

Разъемы специального, военного и аэрокосмического назначения:

(Применяются в военной, авиационной, аэрокосмической, морской, железнодорожной, горно- и нефтедобывающей отраслях промышленности)

«FORSTAR» (основан в 1998 г.)

ВЧ соединители, коаксиальные кабели, кабельные сборки и микроволновые компоненты:

(Применяются в телекоммуникациях гражданского и специального назначения, в средствах связи, РЛС, а так же военной, авиационной и аэрокосмической отраслях промышленности).



Телефон: 8 (812) 309-75-97 (многоканальный)

Факс: 8 (812) 320-03-32

Электронная почта: ocean@oceanchips.ru

Web: <http://oceanchips.ru/>

Адрес: 198099, г. Санкт-Петербург, ул. Калинина, д. 2, корп. 4, лит. А