

General Specifications

Electrical Capacity (Resistive Load)

| | |
|-----------------|---|
| For MRX: | 2A @ 125V AC or 1A @ 30V DC |
| For MRY: | For MRY106G: 0.4VA maximum @ 28V AC/DC maximum (Applicable Range 0.1mA ~ 0.1A @ 20mV ~ 28V) Note: See Supplement Index to find explanation of operating range. For all other MRY models: 3A @ 125V AC or 2A @ 30V DC |
| For MRT: | For MRT22: 10A @ 125V AC or 4A @ 30V DC For MRT23: 5A @ 125V AC or 3A @ 30V DC |

Other Ratings

| | |
|-----------------------------------|--|
| Contact Resistance: | 10 milliohms maximum for MRX, MRY, & MRT; 20 milliohms maximum for MRY106G |
| Insulation Resistance: | 100 megohms minimum @ 500V DC for MRX & MRY 200 megohms minimum @ 500V DC for MRT |
| Dielectric Strength: | 1,000V AC minimum for 1 minute minimum |
| Mechanical Life: | 15,000 operations minimum |
| Electrical Life: | 7,500 operations minimum |
| Range of Operating Torque: | 0.03 ~ 0.15Nm for MRX; 0.02 ~ 0.10Nm for MRY; 0.02 ~ 0.05Nm for MRT |
| Contact Timing: | Nonshorting (break-before-make) MRX: Self-cleaning, sliding contact; MRY: Rotary contactor dish; MRT: Butt contacts |
| Indexing: | 45° for MRX; 60° for MRY; 120° for MRT22; 60° for MRT23 |

Materials & Finishes

| | |
|---|---|
| Shaft: | Brass with nickel plating |
| Stopper Plate: | Steel with zinc plating for MRX & MRY |
| Bushing/Housing: | Brass with nickel plating |
| Movable Contacts: | Silver alloy for MRX & MRT; copper with silver plating for MRY106; copper with gold plating for MRY106G |
| End Contacts & Terminals: | Silver alloy & copper with silver plating for MRX & MRT; silver alloy plus brass with silver plating for MRY106; silver alloy with gold plating for MRY106G |
| Common Contacts & Terminals: | Copper with silver plating for MRX, MRY106 & MRT22; brass with gold plating for MRY106G; brass with silver plating for MRT23 |
| Base: | Phenolic resin |

Environmental Data

| | |
|-------------------------------------|--|
| Operating Temperature Range: | -10°C through +70°C (+14°F through +158°F) |
| Humidity: | 90 ~ 95% humidity for 96 hours @ 40°C (104°F) |
| Vibration: | 10 ~ 55Hz with peak-to-peak amplitude of 1.5mm traversing the frequency range & returning in 1 minute; 3 right angled directions for 2 hours |
| Shock: | 50G (490m/s ²) acceleration (tested in 3 right angled directions, with 3 shocks in each direction) |

Installation

| | |
|--|--|
| Mounting Torque: | .686Nm (6.08 lb•in) |
| Cap Installation Force: | 19.6 ~ 29.4N (4.41 ~ 6.61 lbf) |
| Soldering Time & Temperature: | Manual Soldering: See Profile A in Supplement section. |

Standards & Certifications

| | |
|------------|--|
| UL: | File No. E44145 - Recognized only when ordered with marking on switch. Add "/U" or "/CUL" before dash in part number to order UL recognized switch. MRT22 models recognized at 10A @ 125V AC; MRT23 models recognized at 5A @ 125V AC |
|------------|--|

Distinctive Characteristics

Positive detent mechanism for distinct feel and audible feedback.

Metal bushing and housing construction increases durability.

Adjustable stopper plate allows 2-8 position settings.

High contact reliability achieved by the self-cleaning contact mechanism.

Break-before-make contact timing with various mechanism types: sliding contacts in MRX, contactor dish in MRY, and butt contacts in MRT models.

Terminal types include PC-turret for MRX, turret for MRY, and solder lug for MRT models.

Molded-in PC-turret and turret terminals prevent entry of flux and other contaminants.



Actual Size



- Toggle
- Rockers
- Pushbuttons
- Illuminated PB
- Programmable
- Keylocks
- Rotaries**
- Slides
- Tactiles
- Tilt
- Touch
- Indicators
- Accessories
- Supplement

TYPICAL SWITCH ORDERING EXAMPLE

MR

X

108

A



Actuators & Terminals

X Shaft Actuated with PC-Turret Terminals

Y Shaft Actuated with Turret Terminals

T Shaft Actuated with Solder Lug Terminals *

Poles & Circuits

| | |
|------------|-----------------------|
| 108 | SP with 2-8 Positions |
| 204 | DP with 2-4 Positions |
| 402 | 4P with 2 Positions |

| | |
|-------------|---|
| 106 | SP with 2-6 Positions |
| 106G | SP with 2-6 Positions Gold Contacts 0.4VA |

| | |
|-----------|-----------------|
| 22 | DPDT ON-NONE-ON |
| 23 | DPDT ON-OFF-ON |

Knobs

| | |
|----------|--------------------|
| A | Plain Black |
| B | Small Color Tipped |
| C | Large Color Tipped |

Colors

| For Plain Knob | |
|------------------|--------|
| No Code | Black |
| For Color Tipped | |
| A | Black |
| B | White |
| C | Red |
| E | Yellow |
| F | Green |
| G | Blue |
| H | Gray |

* Wire harness & cable assemblies offered only in Americas

DESCRIPTION FOR TYPICAL ORDERING EXAMPLE

MRX108-A

Shaft Actuated with Plain Black Knob

SP with 2-8 Adjustable Positions

PC-Turret Terminals



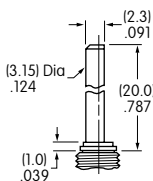
IMPORTANT:



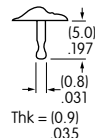
MRT Switches are supplied without UL & cULus marking unless specified. **UL & cULus recognized only when ordered with marking on the switch.** Specific models, ratings, & ordering instructions are noted on General Specifications page.

ACTUATORS & TERMINALS

X Shaft Actuated with PC-Turret Terminals

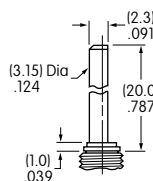


Shaft

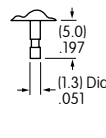


Terminal

Y Shaft Actuated with Turret Terminals

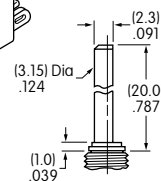


Shaft



Terminal

T Shaft Actuated with Solder Lug Terminals



Shaft



Terminal

Toggle

Rockers

Pushbuttons

Programmable Illuminated PB

Keylocks

Rotaries **G**

Slides

Tactiles

Tilt

Touch

Indicators

Accessories

Supplement

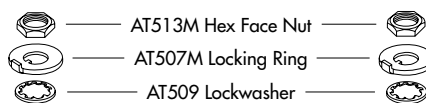
| POLES & CIRCUITS | | | | | |
|------------------|-------------------|---------------------|---------------------|--|------------|
| Pole | Model | Number of Positions | Stopper Settings | Number of Terminals | Schematics |
| SP | MRX108 | 2-8 | 2, 3, 4, 5, 6, 7, 8 | 1 COM, 8 LOAD | |
| | MRY106 MRY106G | 2-6 | 2, 3, 4, 5, 6 | 1 COM, 6 LOAD | |
| DP | MRX204 | 2-4 | 2, 3, 4 | 2 COM, 8 LOAD | |
| DPDT | MRT22 | 2 | ON-NONE-ON | 2-3 2-1 5-6 5-4 | |
| | MRT23 | 3 | ON-OFF-ON | 2-3 OPEN 2-1 5-6 OPEN 5-4 | |
| 4P | MRX402 | 2 | 1 & 2 | 4 COM, 8 LOAD | |

POSITION SETTING FOR MRX & MRY MODELS

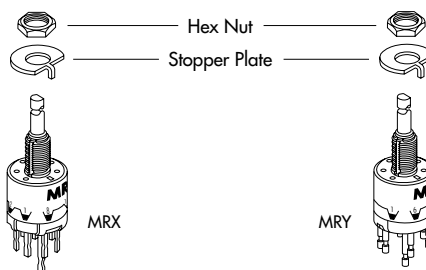
Each switch is supplied with the stopper set for the maximum number of positions allowed for that model. Prior to installation, the desired position setting should be made. Contact factory for continuous rotation.

- Using the actuator knob, turn the shaft counterclockwise to the extreme left. If the shaft is not turned to this extreme position where the white line on the knob points to the number 1 position shown on the side of the switch, proper setting cannot be achieved.
- Remove the knob from the shaft and loosen the nut far enough to allow raising the stopper plate for resetting to the desired position.
- Note the position numbers on the side of the switch; these correspond to the terminal numbers and stopper holes. Insert the stopper in the hole numbered for the maximum desired number of stop settings. Satisfactory switch functioning cannot be assured if the stopper plate is not properly positioned.
- Tighten the nub (beveled side up) firmly against the stopper plate.

Mounting Hardware Packaged Loose with Each Switch

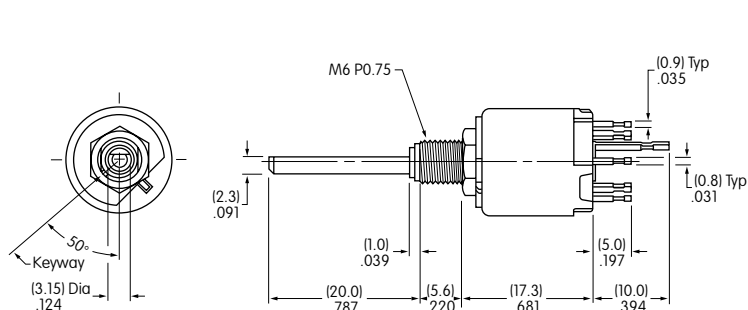


Factory Assembled:

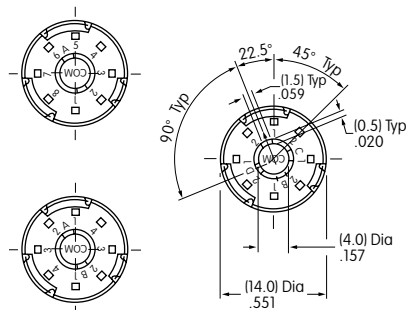


TYPICAL SWITCH DIMENSIONS

Single, Double & Four Pole



MRX • PC-Turret Terminals

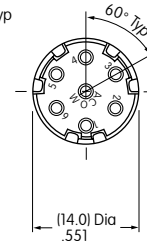
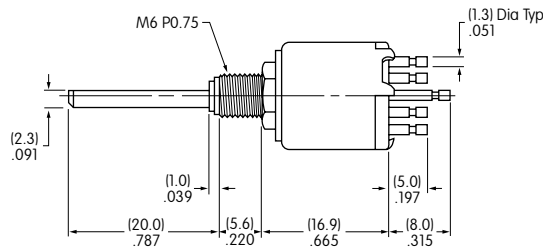
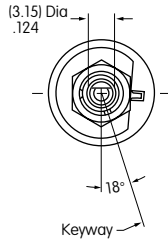


MRX108

TYPICAL SWITCH DIMENSIONS

MRY • Turret Terminals

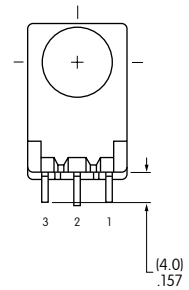
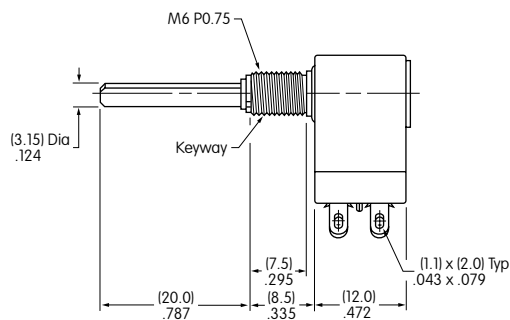
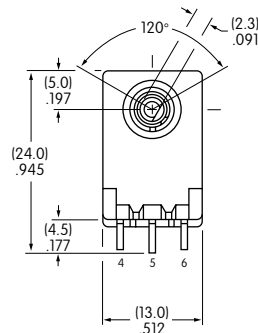
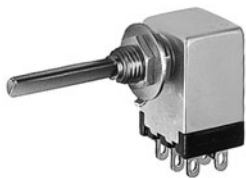
Single Pole



MRY106

MRT • Solder Lug Terminals

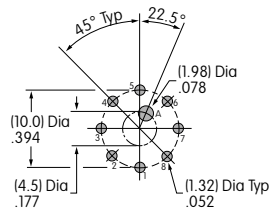
Double Pole



MRT22

PC FOOTPRINTS FOR MRX SINGLE, DOUBLE, & FOUR POLE

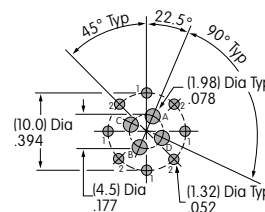
Single Pole



Double Pole



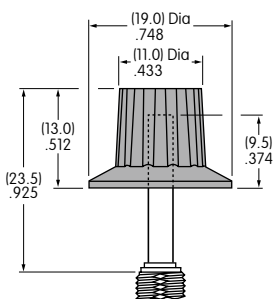
Four Pole



Toggles
Rockers
Pushbuttons
Illuminated PB
Programmable
Keylocks
Rotaries
Slides
Tactiles
Tilt
Touch
Indicators
Accessories
Supplement

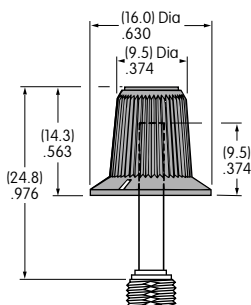
KNOBS

A AT433 Plain Black



Material: Polyacetal
Color: Black only

B AT4103 Small Color Tipped



Base Material: Polyester
Base Color: Black
Polyamide Tip
Colors: A, B, C, E, F, G, H

C AT4104 Large Color Tipped



Base Material: Polyester
Base Color: Black
Polyamide Tip
Colors: A, B, C, E, F, G, H

Color Codes: **A** Black **B** White **C** Red **E** Yellow **F** Green **G** Blue **H** Gray

PANEL CUTOUTS & MAXIMUM EFFECTIVE PANEL THICKNESS

Without Keyway



With Keyway



Maximum Effective Panel Thickness

With Standard Hardware: MRX & MRY .095" (2.4mm); MRT .106" (2.7mm)
Without Locking Ring: MRX & MRY .126" (3.2mm); MRT .138" (3.5mm)

Toggles
Rockers
Pushbuttons
Illuminated PB
Programmable
Keylocks
Rotaries
Slides
Tactiles
Tilt
Touch
Indicators
Accessories
Supplement

Компания «Океан Электроники» предлагает заключение долгосрочных отношений при поставках импортных электронных компонентов на взаимовыгодных условиях!

Наши преимущества:

- Поставка оригинальных импортных электронных компонентов напрямую с производств Америки, Европы и Азии, а так же с крупнейших складов мира;
- Широкая линейка поставок активных и пассивных импортных электронных компонентов (более 30 млн. наименований);
- Поставка сложных, дефицитных, либо снятых с производства позиций;
- Оперативные сроки поставки под заказ (от 5 рабочих дней);
- Экспресс доставка в любую точку России;
- Помощь Конструкторского Отдела и консультации квалифицированных инженеров;
- Техническая поддержка проекта, помощь в подборе аналогов, поставка прототипов;
- Поставка электронных компонентов под контролем ВП;
- Система менеджмента качества сертифицирована по Международному стандарту ISO 9001;
- При необходимости вся продукция военного и аэрокосмического назначения проходит испытания и сертификацию в лаборатории (по согласованию с заказчиком);
- Поставка специализированных компонентов военного и аэрокосмического уровня качества (Xilinx, Altera, Analog Devices, Intersil, Interpoint, Microsemi, Actel, Aeroflex, Peregrine, VPT, Syfer, Eurofarad, Texas Instruments, MS Kennedy, Miteq, Cobham, E2V, MA-COM, Hittite, Mini-Circuits, General Dynamics и др.);

Компания «Океан Электроники» является официальным дистрибьютором и эксклюзивным представителем в России одного из крупнейших производителей разъемов военного и аэрокосмического назначения «**JONHON**», а так же официальным дистрибьютором и эксклюзивным представителем в России производителя высокотехнологичных и надежных решений для передачи СВЧ сигналов «**FORSTAR**».



JONHON

«**JONHON**» (основан в 1970 г.)

Разъемы специального, военного и аэрокосмического назначения:

(Применяются в военной, авиационной, аэрокосмической, морской, железнодорожной, горно- и нефтедобывающей отраслях промышленности)

«**FORSTAR**» (основан в 1998 г.)

ВЧ соединители, коаксиальные кабели, кабельные сборки и микроволновые компоненты:

(Применяются в телекоммуникациях гражданского и специального назначения, в средствах связи, РЛС, а так же военной, авиационной и аэрокосмической отраслях промышленности).



Телефон: 8 (812) 309-75-97 (многоканальный)

Факс: 8 (812) 320-03-32

Электронная почта: ocean@oceanchips.ru

Web: <http://oceanchips.ru/>

Адрес: 198099, г. Санкт-Петербург, ул. Калинина, д. 2, корп. 4, лит. А