

3W STEREO CLASS-D AUDIO AMPLIFIER AND CLASS AB HEADPHONE DRIVER WITH DC VOLUME CONTROL, NON-CLIP POWER LIMIT AND UVP
NEW PRODUCT

Description

The PAM8019 is a Stereo 3W Class D audio power amplifier for driving bridged-tied speakers and includes a Stereo Class AB amplifier for driving headphones. The advanced 64 step DC volume control minimizes external components allowing simple and accurate volume control over the gain range of +20dB (Volume=0V) to -60dB (Volume=5V).

Integrated non-clip power limit technology suppresses output automatically with programmable power limit, improving the sound quality and helping to protect the speakers. Programmable under voltage protection (UVP) can be used to shut down the PAM8019 at a pre-determined voltage level helping to eliminate speaker pop by shutting down before the power supply collapses.

The PAM8019 is available in the power efficient and space saving U-QFN4040-20.

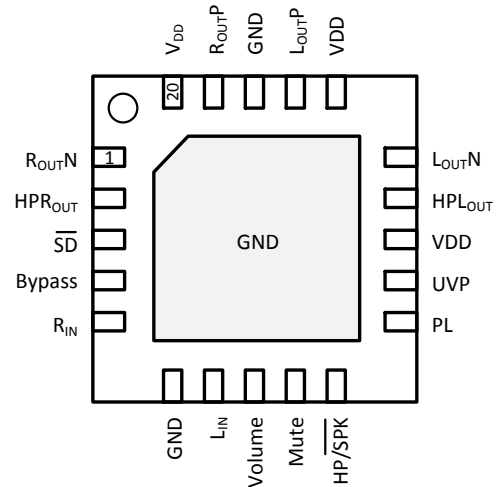
Features

- 3W Stereo Class D Amplifier with Class AB Headphone Amplifier
- Filter Free and Low EMI Architecture
- Operating Voltage: 2.8V to 5.5V
- Low Quiescent Current of 7mA at a V_{DD} of 5V
- 64 Step DC Volume Control with Hysteresis from -60dB to +20dB
- Output Power
 - Class D Amplifier THD+N=1%
 $V_{DD}=5V, Load =4\Omega; P_o=2.4W / Load =8\Omega; P_o=1.4W$
 - Class D Amplifier THD+N=10%
 $V_{DD}=5V, Load =4\Omega; P_o=3.0W / Load =8\Omega; P_o=1.7W$
 - Class AB Headphone Amplifier
 $V_{DD}=5V, Load=32\Omega; P_o=60mW$
- Speaker or Headphone Select
- Non Clip Power Limit (NCPL) Function
- OVP and Programmable UVP Protection
- Thermal and Over-Current Protection with Auto-Recovery
- Power Enhance Package U-QFN4040-20
- Lead Free and Green Devices Available (RoHS Compliant)
- **Totally Lead-Free & Fully RoHS Compliant (Notes 1 & 2)**
- **Halogen and Antimony Free. "Green Device (Note 3)**

Notes: 1. No purposely added lead. Fully EU Directive 2002/95/EC (RoHS) & 2011/65/EU (RoHS 2) compliant.
 2. See http://www.diodes.com/quality/lead_free.html for more information about Diodes Incorporated's definitions of Halogen- and Antimony-free, "Green" and Lead-free.
 3. Halogen- and Antimony-free "Green" products are defined as those which contain <900ppm bromine, <900ppm chlorine (<1500ppm total Br + Cl) and <1000ppm antimony compounds.

Pin Assignments

Top View

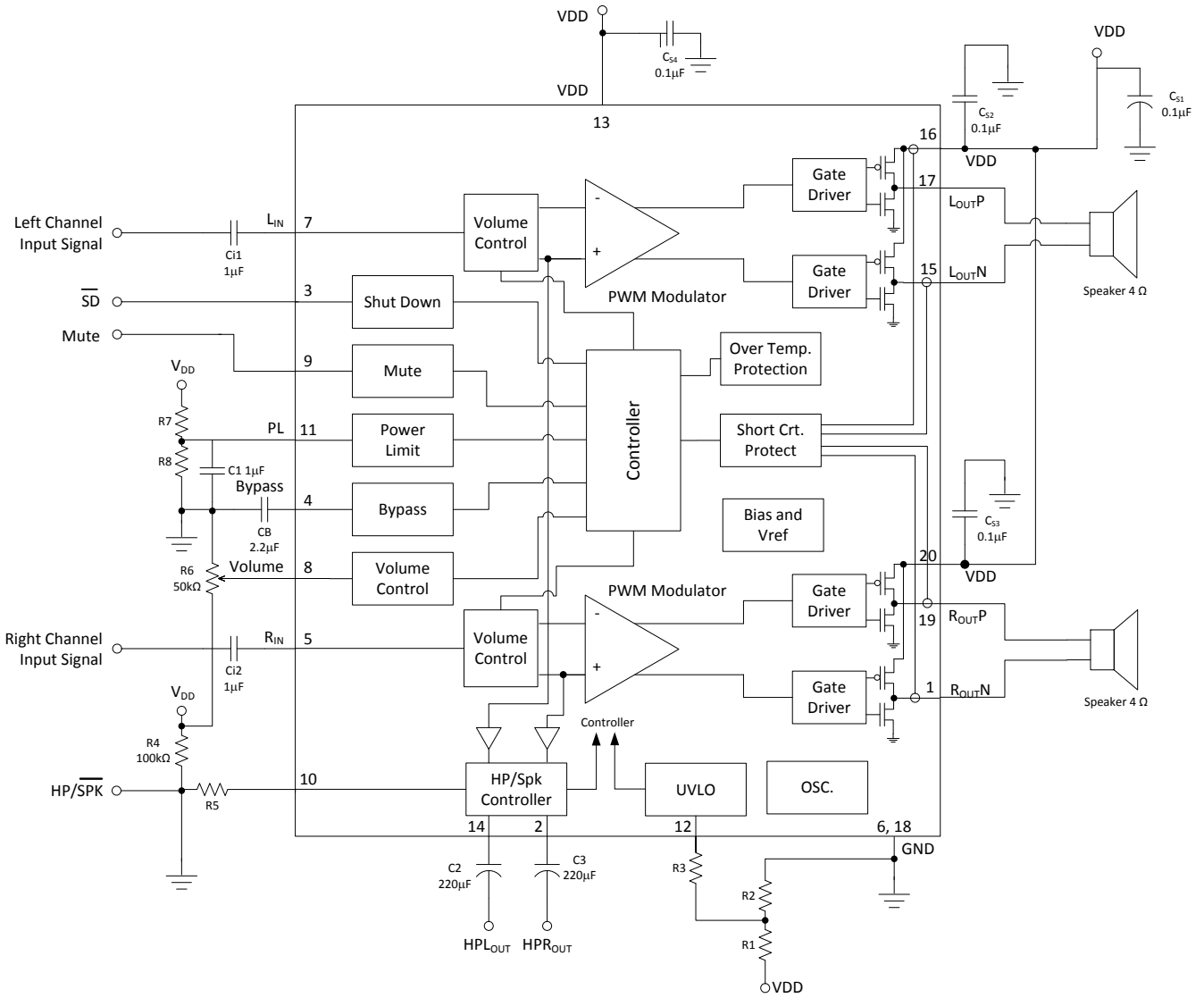


Applications

- LCD Monitors and TVs
- Projectors / All-In-One Computers
- Portable / Active Speakers
- Portable DVD Players / Game Machines

Typical Applications Circuit

NEW PRODUCT

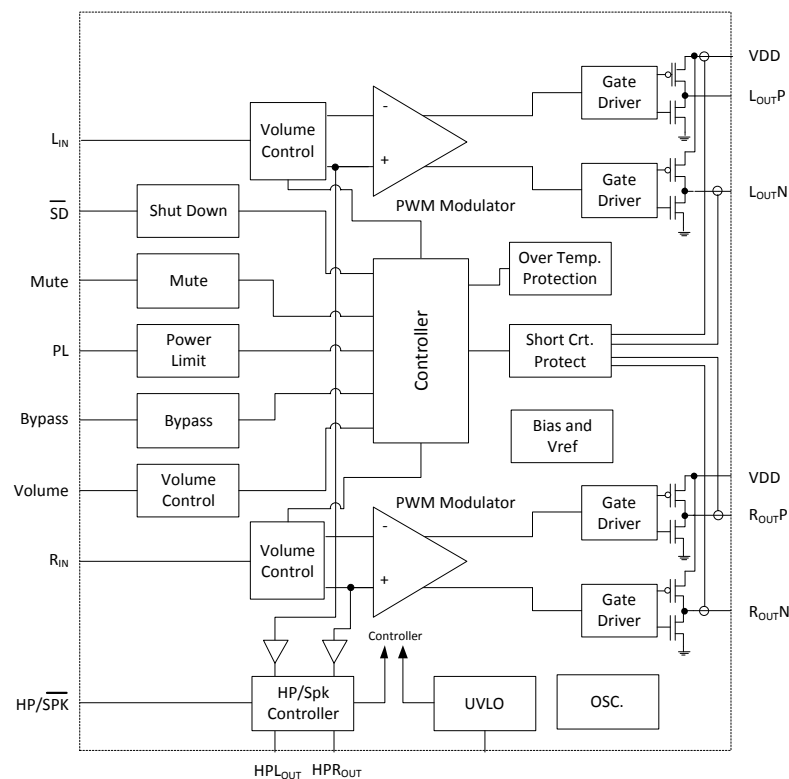


Pin Descriptions

Pin Number	Name	Function
3	\overline{SD}	Full Chip Shutdown Control Input (Active Low)
4	Bypass	Bias Voltage for Power Amplifier
5	R _{IN}	Negative Input of Right Channel Power Amplifier
6, 18	GND	Ground Connection
7	L _{IN}	Negative Input of Left Channel Power Amplifier
8	Volume	Internal Gain Setting Input Connect to VDD which Set Max. Gain = +20dB
9	Mute	Mute Control Signal Input (Active High)
10	HP/ \overline{SPK}	Output Mode Control Input High for Headphone Mode and Low for Speaker Mode
11	PL	Power limit reference voltage, see applications section for further details
12	UVP	Under Voltage Protection Input See applications section for further details
13,16,20	VDD	Supply Voltage
14	HPL _{OUT}	Headphone - Left Channel Output
2	HPR _{OUT}	Headphone - Right Channel Output
15	L _{OUTN}	Power Amplifier - Left Channel Negative Output
17	L _{OUTP}	Power Amplifier - Left Channel Positive Output
19	R _{OUTP}	Power Amplifier - Right Channel Negative Output
1	R _{OUTN}	Power Amplifier - Right Channel Positive Output
PAD	GND	Connect to ground (recommended) or No Connect.

NEW PRODUCT

Functional Block Diagram



Absolute Maximum Ratings (@T_A = +25°C, unless otherwise specified.) (Note 4)

Symbol	Parameter	Rating	Unit
V _{DD}	Supply Voltage V _{DD}	-0.3 to 6.0	V
V _{IN}	Input Voltage L _{IN} , R _{IN} , \overline{SD} , Mute, HP/SPK	-0.3 to V _{DD} + 0.3	
T _J	Maximum Junction Temperature	+150	°C
T _{STG}	Storage Temperature Range	- 65 to +150	
T _{SDR}	Maximum Soldering Temperature Range, 5 Seconds	+300	

Notes: 4. Stresses greater than the 'Absolute Maximum Ratings' specified above may cause permanent damage to the device. These are stress ratings only; functional operation of the device at these or any other conditions exceeding those indicated in this specification is not implied. Device reliability may be affected by exposure to absolute maximum rating conditions for extended periods of time.

Recommended Operating Conditions (@T_A = +25°C, unless otherwise specified.)

Symbol	Parameter	Max	Unit
V _{DD}	Supply Voltage Range	2.8 to 5.5	V
V _{IH}	High Level Threshold Voltage	\overline{SD} , MUTE	2 to V _{DD}
		HP/SPK	0.8 x V _{DD} to V _{DD}
V _{IL}	Low Level Threshold Voltage	\overline{SD} , MUTE	0 to 0.8
		HP/SPK	0 to 1.0
V _{ICM}	Common Mode Input Voltage	1 to V _{DD} - 1	V
T _A	Ambient Operation Temperature Range	-40 to +85	°C
T _J	Junction Temperature Range	-40 to +125	

Thermal Information (@T_A = +25°C, unless otherwise specified.)

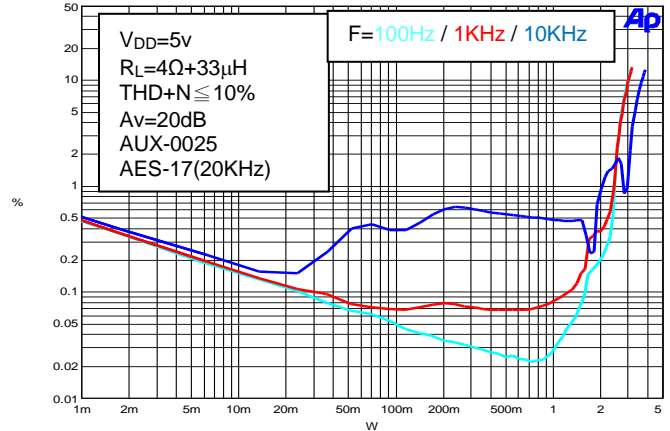
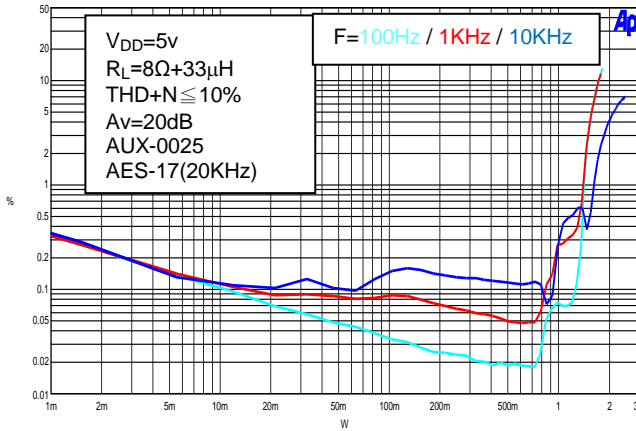
Symbol	Parameter	Typical Value	Unit
θ _{JA}	Thermal Resistance – Junction to Ambient QFN4040-20	45	°C/W
θ _{JC}	Ambient Operation Temperature Range QFN4040-20	7	°C/W

Electrical Characteristics (@ $T_A = +25^\circ\text{C}$, $V_{DD} = 5\text{V}$, Gain = Max., $R_L = 8\Omega$, unless otherwise specified.)

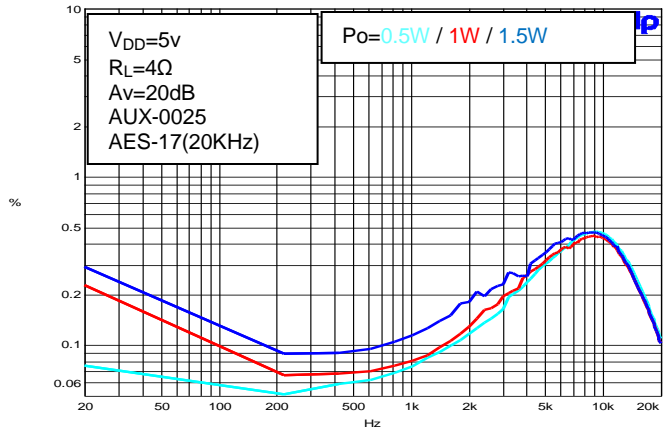
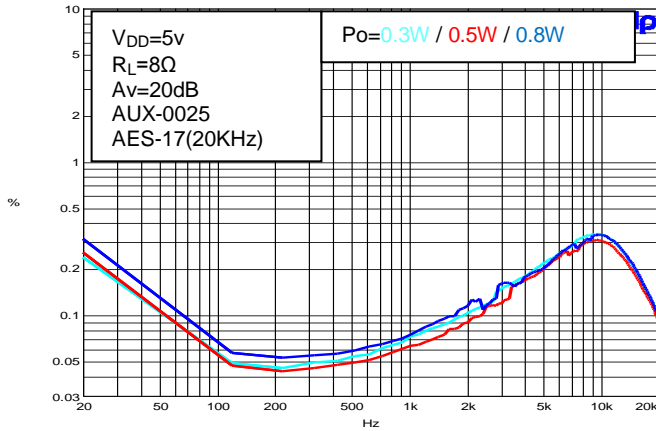
Symbol	Parameter	Condition	Min	Typ	Max	Unit
V_{DD}	Supply Voltage Range		2.8	-	5.5	V
Speaker Mode						
I_Q	Quiescent Current (BTL)	$V_{MUTE}=0$, $V_{SD}=5\text{V}$, No Load	-	7	-	mA
I_Q	Quiescent Current (SE)	$V_{MUTE}=0$, $V_{SD}=5\text{V}$, No Load	-	4	-	mA
I_{MUTE}	Mute Current (BTL)	$V_{MUTE}=0$, $V_{SD}=5\text{V}$, No Load	-	3	-	mA
I_{MUTE}	Mute Current (SE)	$V_{MUTE}=0$, $V_{SD}=5\text{V}$, No Load	-	4	-	mA
I_{SD}	Shutdown Current	$V_{MUTE}=0$, $V_{SD}=0\text{V}$, No Load	-	-	1	μA
F_{OSC}	Oscillator Frequency	-	200	250	300	KHz
RI	Input Resistance (BTL)	Gain=20dB	-	-	33	K Ω
RI	Input Resistance (SE)	Gain=3.5dB	-	-	56	K Ω
V_{OS}	Output Offset Voltage	No load	-	10	-	mV
$R_{DS(ON)}$	Drain – Source On-State Resistance	$V_{DD} = 5.5\text{V}$, $I_{DS} = 0.8\text{A}$ P MOSFET	-	0.26	-	Ω
		$V_{DD} = 5.5\text{V}$, $I_{DS} = 0.8\text{A}$ N MOSFET	-	0.19	-	
		$V_{DD} = 4.5\text{V}$, $I_{DS} = 0.6\text{A}$ P MOSFET	-	0.28	-	
		$V_{DD} = 4.5\text{V}$, $I_{DS} = 0.6\text{A}$ N MOSFET	-	0.21	-	
		$V_{DD} = 3.6\text{V}$, $I_{DS} = 0.4\text{A}$ P MOSFET	-	0.29	-	
		$V_{DD} = 3.6\text{V}$, $I_{DS} = 0.4\text{A}$ N MOSFET	-	0.21	-	
$T_{STARTUP}$	Startup Time from Shutdown	Bypass Capacitor, $C_B = 2.2\mu\text{F}$	-	1.72	-	S
P_O	Output Power	THD+N=10%, $f=1\text{KHz}$, $R_L=8\Omega$	1.5	1.7	-	W
		THD+N=10%, $f=1\text{KHz}$, $R_L=4\Omega$	2.8	3.0	-	
THD+N	Total Harmonic Distortion Plus Noise	$R_L=8\Omega$, $P_o=0.8\text{W}$, $f=1\text{KHz}$	-	0.08	-	%
		$R_L=4\Omega$, $P_o=1.6\text{W}$, $f=1\text{KHz}$	-	0.08	-	
PSRR	Power Supply Ripple Rejection	Input AC-GND, $f=1\text{KHz}$, $V_{PP}=200\text{mV}$	-	-61	-	dB
CS	Channel Separation	$V_{DD} = 1\text{W}$, $f=1\text{KHz}$	-	-82	-	dB
η	Efficiency	$P_O = 1.7\text{W}$, $f=1\text{KHz}$, $R_L=8\Omega$	85	90	-	%
		$P_O = 3\text{W}$, $f=1\text{KHz}$, $R_L=4\Omega$	80	88	-	
V_N	Noise	Input AC-GND, A-weighting	-	180	-	μV
		Non A-weighting	-	270	-	
SNR	Signal Noise Ratio	$F=20 \sim 20\text{KHz}$, THD=1%	-	83	-	dB
Head Phone Mode						
V_{OS}	Output Offset Voltage	No load	-	2.5	-	V
P_O	Output Power	THD+N=1%, $R_L=32\Omega$, $f=1\text{KHz}$	-	60	-	mW
THD+N	Total Harmonic Distortion Plus Noise	$R_L=32\Omega$, $P_o=50\text{mW}$, $f=1\text{KHz}$	-	0.02	-	%
PSRR	Power Supply Ripple Rejection	Input AC-GND, $F=1\text{KHz}$, $V_{PP}=200\text{mV}$	-	75	-	dB
CS	Channel Separation	$P_O = 1\text{W}$, $f=1\text{KHz}$	-	-87	-	dB
V_N	Noise	Input AC-GND, A-weighting	-	74	-	μV
		Non A-weighting	-	58	-	
SNR	Signal Noise Ratio	$F=20 \sim 20\text{KHz}$, THD=1%	-	89	-	dB
Control Section						
V_{IH}	SD Input High	-	1.4	-	-	V
V_{IL}	SD Input Low	-	-	-	0.6	V
V_{MH}	Mute Input High	-	1.4	-	-	V
V_{ML}	Mute Input Low	-	-	-	0.6	V
OTP	Over Temperature Protection	-	-	+150	-	$^\circ\text{C}$
OTH	Over Temperature Hysteresis	-	-	+108	-	$^\circ\text{C}$

Typical Performance Characteristics

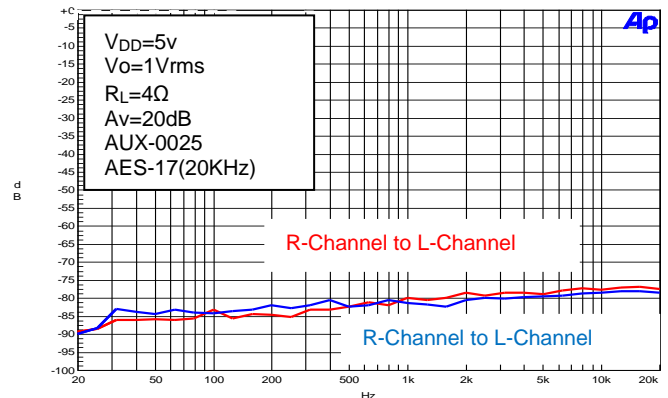
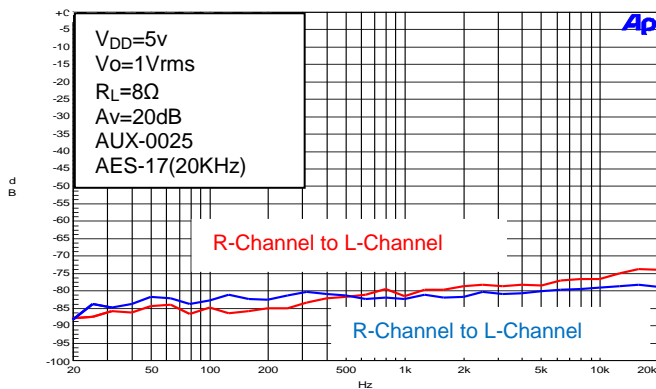
THD+N vs. Output Power - Speaker



THD+N vs. Frequency - Speaker



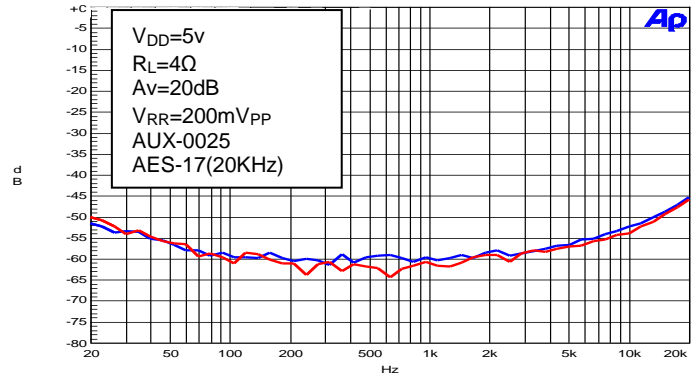
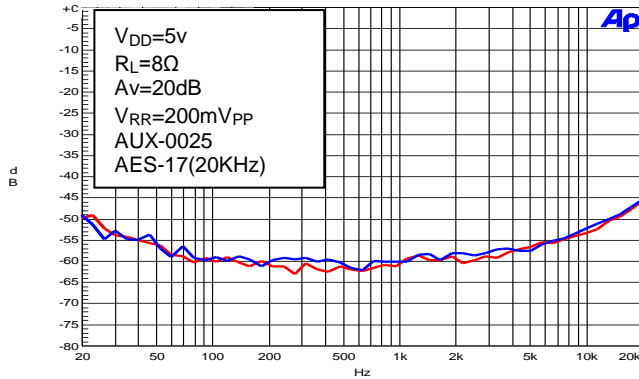
Crosstalk vs. Frequency - Speaker



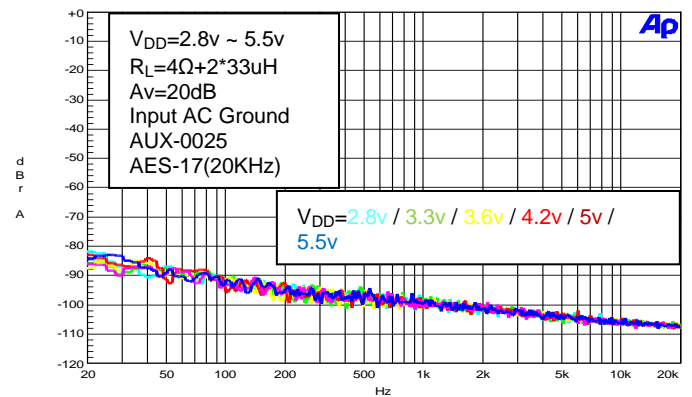
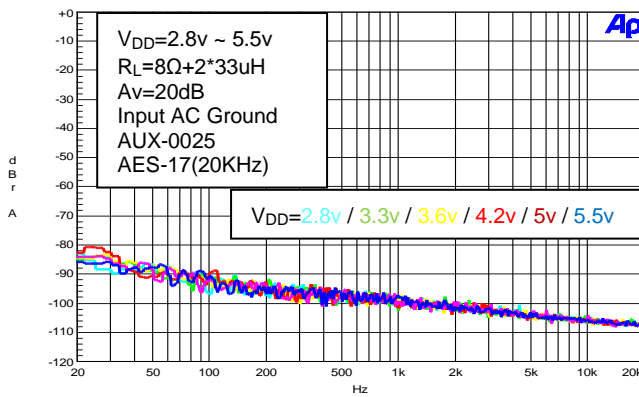
NEW PRODUCT

Typical Performance Characteristics (Cont.)

PSRR vs. Frequency



Output Noise vs. Frequency – Speaker



NEW PRODUCT

Typical Performance Characteristics (Cont.)

Table 1 DC Volume Control

Step	DC Volume (V)	Power Amp Gain (dB)	Head Phone Amp Gain (dB)	Step	DC Volume (V)	Power Amp Gain (dB)	Head Phone Amp Gain (dB)
1	0.000 to 0.201	20	3.51	33	2.462 to 2.533	6.7	-7.11
2	0.202 to 0.275	19.6	3.22	34	2.534 to 2.605	6.4	-7.43
3	0.276 to 0.347	19.2	2.94	35	2.606 to 2.678	6	-7.76
4	0.348 to 0.419	18.8	2.66	36	2.679 to 2.751	5.7	-8.09
5	0.420 to 0.491	18.4	2.39	37	2.752 to 2.823	5.3	-8.42
6	0.492 to 0.563	18	2.12	38	2.824 to 2.897	4.9	-8.76
7	0.564 to 0.633	17.6	1.85	39	2.898 to 2.969	4.6	-9.09
8	0.634 to 0.701	17.1	1.46	40	2.970 to 3.043	4.2	-9.43
9	0.702 to 0.771	16.6	1.07	41	3.044 to 3.114	3.8	-9.77
10	0.772 to 0.849	16.1	0.69	42	3.115 to 3.186	3.5	-10.1
11	0.850 to 0.929	15.6	0.32	43	3.187 to 3.259	3.1	-10.46
12	0.930 to 1.005	15.1	-0.05	44	3.260 to 3.332	2.7	-10.81
13	1.006 to 1.079	14.6	-0.41	45	3.333 to 3.403	2.3	-11.16
14	1.080 to 1.153	14.2	-0.77	46	3.404 to 3.476	2	-11.52
15	1.154 to 1.225	13.7	-1.12	47	3.477 to 3.551	1.6	-11.88
16	1.226 to 1.297	13.3	-1.47	48	3.552 to 3.621	1.2	-12.24
17	1.298 to 1.371	12.9	-1.82	49	3.622 to 3.695	0.8	-12.62
18	1.372 to 1.443	12.5	-2.16	50	3.696 to 3.767	0.4	-12.99
19	1.444 to 1.517	12	-2.5	51	3.768 to 3.839	0	-13.38
20	1.518 to 1.589	11.6	-2.84	52	3.840 to 3.909	-1	-14.37
21	1.590 to 1.661	11.2	-3.18	53	3.910 to 3.979	-2.1	-15.42
22	1.662 to 1.733	10.8	-3.51	54	3.980 to 4.045	-3	-16.3
23	1.734 to 1.807	10.5	-3.84	55	4.046 to 4.116	-5	-18.23
24	1.808 to 1.879	10.1	-4.17	56	4.117 to 4.195	-7	-20.16
25	1.880 to 1.951	9.7	-4.5	57	4.196 to 4.273	-9	-22.08
26	1.952 to 2.025	9.3	-4.82	58	4.274 to 4.347	-10.9	-23.96
27	2.026 to 2.097	8.9	-5.16	59	4.348 to 4.421	-17	-30.01
28	2.098 to 2.169	8.6	-5.48	60	4.422 to 4.493	-22.8	-35.83
29	2.170 to 2.243	8.2	-5.8	61	4.494 to 4.565	-29	-41.98
30	2.244 to 2.315	7.8	-6.13	62	4.566 to 4.637	-33.5	-46.46
31	2.316 to 2.389	7.5	-6.45	63	4.638 to 4.708	-39.5	-52.58
32	2.390 to 2.461	7.1	-6.78	64	4.709 to 5.000	-60	-92.95

NEW PRODUCT

Application Information

Non Clip Power Limit (NCPL) Function

When output reaches the maximum power setting value, the NCLP circuits will decrease the gain to prevent the output waveform from clipping helping to prevent speaker damage and maximizing audio performance. The PL pin is used to set and control the NCPL function.

Table 1: NCPL Setting Threshold vs. Output

AGC Function	Output Power
V_{DD} to $V_{DD} \times 0.45$ or PL pin floating	NCPL function disabled
$V_{DD} \times 0.45$ to $V_{DD} \times 0.27$	$P_O = \frac{8(1/2 V_{DD} - V_{PL})^2}{R_I} \times 0.95$
$V_{DD} \times 0.27$ to GND	$P_O = 2.3W$ (Max. output power 4Ω) $P_O = 1.2W$ (Max. output power 8Ω)

Mute Operation

The MUTE pin is an input for controlling the Class-D output state of the PAM8019. A logic low on this pin enables the outputs and logic high on this pin disables the outputs. This pin may be used to quickly disable or enable the outputs without a volume fade. Quiescent current is listed in the electrical characteristic table. The MUTE pin can be left floating due to the internal pull-down.

Shutdown Operation

In order to reduce power consumption while not in use, the PAM8019 contains shutdown circuit to turn off the amplifier's bias circuit. The amplifier is turned off when logic low is placed on the \overline{SD} pin. The \overline{SD} pin can be left floating due to the internal pull-up.

Under voltage Protection

External under voltage detection can be used to shut down the PAM8019 before an input device can generate a pop. The shutdown threshold at the UVP pin is 1.2V. The user selects a resistor divider to obtain the shutdown threshold and hysteresis for the specific application.

The threshold can be determined as below:

With the condition: $R_3 \gg R_1/R_2$

$$V_{UVP} = [1.2 - (6\mu A \times R_3)] \times (R_1 + R_2) / R_2$$

$$\text{Hysteresis} = 5\mu A \times R_3 \times (R_1 + R_2) / R_2$$

Power Supply Decoupling

The PAM8019 is a high performance CMOS audio-amplifier that requires adequate power supply decoupling to ensure the THD and PSRR are as low as possible. Power supply decoupling also prevents oscillation caused by long leads between the amplifier and the speaker. The optimum decoupling is achieved by using two capacitors of different types that target different types of noise on the power supply leads. A good Low-Equivalent-Series-Resistance (ESR) ceramic-capacitor of typically 0.1μF is recommended to be placed as close as possible to the V_{DD} pin to filter the higher frequency transients, spikes or digital hash on the line. Filtering lower-frequency noise signals a large capacitor of 10μF or greater should be placed near the audio amplifier.

Application Information (Cont.)

Input Capacitor (CI)

It is desirable to use a large input capacitor but in applications where the speaker lacks the ability to reproduce signals below 100Hz to 150Hz it may be possible to minimize CI without effecting system performance. Input Capacitor (CI) and Input Resistance (RI) of the amplifier form a high-pass filter with the corner frequency determined equation below:

$$F_c = 1 / 2\pi R_I \times C_I$$

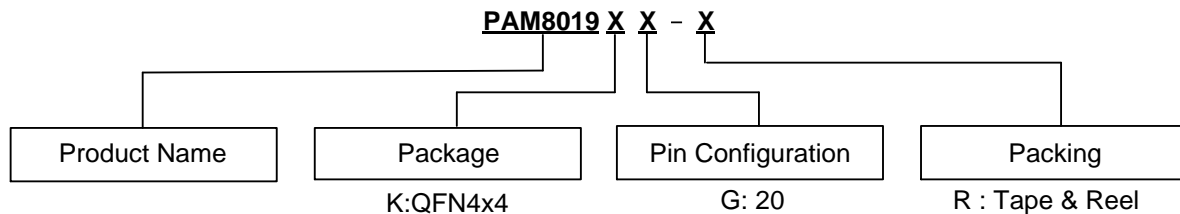
In addition to system cost and size, click and pop performance is affected by the size of the coupling capacitors. A larger in/out coupling capacitor requires more charge to reach its quiescent DC voltage (Normally 1/2 V_{DD}). This charge comes from the internal circuit via the feedback and is more likely to create pops upon device enable. Minimizing the capacitor size based on necessary low frequency response can minimize the turn on pop.

Bypass Capacitor (C_{BYP})

Bypass Capacitor (C_{BYP}) is the most critical capacitor and serves several important functions. During start-up or recovery from shutdown mode, C_{BYP} determines the rate at which the amplifier starts up. The second function is to reduce noise produced by the power supply caused by coupling into the output signal. The noise is from the internal analog reference to the amplifier, which appears as degraded PSRR and THD+N.

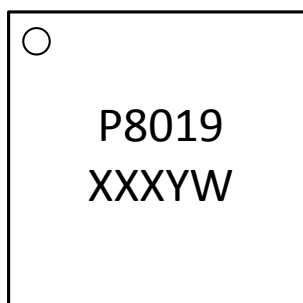
A ceramic bypass capacitor (C_{BYP}) of 0.47µF to 1.0µF is recommended for the best THD and noise performance. Increasing the bypass capacitor reduces clicking and popping noise from power on/off and when entering and leaving shutdown.

Ordering Information



Part Number	Package	Standard Package
PAM8019KGR	U-QFN4040-20	3000 / Tape and Reel

Marking Information

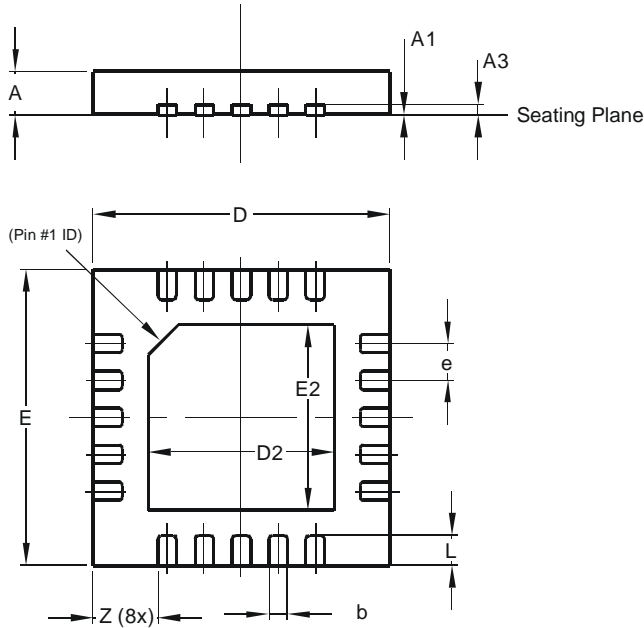


Y: Year
W: Week
X: Internal Code

Package Outline Dimensions (All dimensions in mm.)

Please see <http://www.diodes.com/package-outlines.html> for the latest version.

U-QFN4040-20



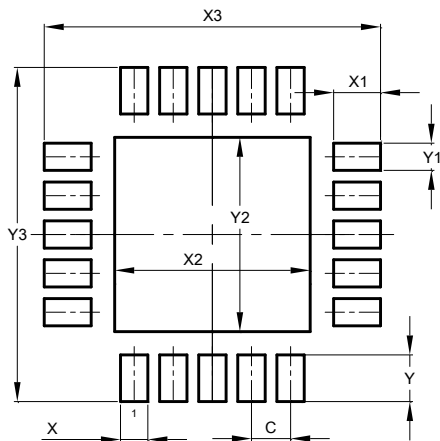
U-QFN4040-20			
Dim	Min	Max	Typ
A	0.55	0.65	0.60
A1	0	0.05	0.02
A3	-	-	0.15
b	0.20	0.30	0.25
D	3.95	4.05	4.00
D2	2.40	2.60	2.50
E	3.95	4.05	4.00
E2	2.40	2.60	2.50
e	0.50 BSC		
L	0.35	0.45	0.40
Z	-	-	0.875
All Dimensions in mm			

NEW PRODUCT

Suggested Pad Layout

Please see <http://www.diodes.com/package-outlines.html> for the latest version.

U-QFN4040-20



Dimensions	Value (in mm)
C	0.500
X	0.350
X1	0.600
X2	2.500
X3	4.300
Y	0.600
Y1	0.350
Y2	2.500
Y3	4.300

IMPORTANT NOTICE

DIODES INCORPORATED MAKES NO WARRANTY OF ANY KIND, EXPRESS OR IMPLIED, WITH REGARDS TO THIS DOCUMENT, INCLUDING, BUT NOT LIMITED TO, THE IMPLIED WARRANTIES OF MERCHANTABILITY AND FITNESS FOR A PARTICULAR PURPOSE (AND THEIR EQUIVALENTS UNDER THE LAWS OF ANY JURISDICTION).

Diodes Incorporated and its subsidiaries reserve the right to make modifications, enhancements, improvements, corrections or other changes without further notice to this document and any product described herein. Diodes Incorporated does not assume any liability arising out of the application or use of this document or any product described herein; neither does Diodes Incorporated convey any license under its patent or trademark rights, nor the rights of others. Any Customer or user of this document or products described herein in such applications shall assume all risks of such use and will agree to hold Diodes Incorporated and all the companies whose products are represented on Diodes Incorporated website, harmless against all damages.

Diodes Incorporated does not warrant or accept any liability whatsoever in respect of any products purchased through unauthorized sales channel. Should Customers purchase or use Diodes Incorporated products for any unintended or unauthorized application, Customers shall indemnify and hold Diodes Incorporated and its representatives harmless against all claims, damages, expenses, and attorney fees arising out of, directly or indirectly, any claim of personal injury or death associated with such unintended or unauthorized application.

Products described herein may be covered by one or more United States, international or foreign patents pending. Product names and markings noted herein may also be covered by one or more United States, international or foreign trademarks.

This document is written in English but may be translated into multiple languages for reference. Only the English version of this document is the final and determinative format released by Diodes Incorporated.

LIFE SUPPORT

Diodes Incorporated products are specifically not authorized for use as critical components in life support devices or systems without the express written approval of the Chief Executive Officer of Diodes Incorporated. As used herein:

A. Life support devices or systems are devices or systems which:

1. are intended to implant into the body, or
2. support or sustain life and whose failure to perform when properly used in accordance with instructions for use provided in the labeling can be reasonably expected to result in significant injury to the user.

B. A critical component is any component in a life support device or system whose failure to perform can be reasonably expected to cause the failure of the life support device or to affect its safety or effectiveness.

Customers represent that they have all necessary expertise in the safety and regulatory ramifications of their life support devices or systems, and acknowledge and agree that they are solely responsible for all legal, regulatory and safety-related requirements concerning their products and any use of Diodes Incorporated products in such safety-critical, life support devices or systems, notwithstanding any devices- or systems-related information or support that may be provided by Diodes Incorporated. Further, Customers must fully indemnify Diodes Incorporated and its representatives against any damages arising out of the use of Diodes Incorporated products in such safety-critical, life support devices or systems.

Copyright © 2016, Diodes Incorporated

www.diodes.com

Компания «Океан Электроники» предлагает заключение долгосрочных отношений при поставках импортных электронных компонентов на взаимовыгодных условиях!

Наши преимущества:

- Поставка оригинальных импортных электронных компонентов напрямую с производств Америки, Европы и Азии, а так же с крупнейших складов мира;
- Широкая линейка поставок активных и пассивных импортных электронных компонентов (более 30 млн. наименований);
- Поставка сложных, дефицитных, либо снятых с производства позиций;
- Оперативные сроки поставки под заказ (от 5 рабочих дней);
- Экспресс доставка в любую точку России;
- Помощь Конструкторского Отдела и консультации квалифицированных инженеров;
- Техническая поддержка проекта, помощь в подборе аналогов, поставка прототипов;
- Поставка электронных компонентов под контролем ВП;
- Система менеджмента качества сертифицирована по Международному стандарту ISO 9001;
- При необходимости вся продукция военного и аэрокосмического назначения проходит испытания и сертификацию в лаборатории (по согласованию с заказчиком);
- Поставка специализированных компонентов военного и аэрокосмического уровня качества (Xilinx, Altera, Analog Devices, Intersil, Interpoint, Microsemi, Actel, Aeroflex, Peregrine, VPT, Syfer, Eurofarad, Texas Instruments, MS Kennedy, Miteq, Cobham, E2V, MA-COM, Hittite, Mini-Circuits, General Dynamics и др.);

Компания «Океан Электроники» является официальным дистрибьютором и эксклюзивным представителем в России одного из крупнейших производителей разъемов военного и аэрокосмического назначения «JONHON», а так же официальным дистрибьютором и эксклюзивным представителем в России производителя высокотехнологичных и надежных решений для передачи СВЧ сигналов «FORSTAR».



JONHON

«JONHON» (основан в 1970 г.)

Разъемы специального, военного и аэрокосмического назначения:

(Применяются в военной, авиационной, аэрокосмической, морской, железнодорожной, горно- и нефтедобывающей отраслях промышленности)

«FORSTAR» (основан в 1998 г.)

ВЧ соединители, коаксиальные кабели, кабельные сборки и микроволновые компоненты:

(Применяются в телекоммуникациях гражданского и специального назначения, в средствах связи, РЛС, а так же военной, авиационной и аэрокосмической отраслях промышленности).



Телефон: 8 (812) 309-75-97 (многоканальный)

Факс: 8 (812) 320-03-32

Электронная почта: ocean@oceanchips.ru

Web: <http://oceanchips.ru/>

Адрес: 198099, г. Санкт-Петербург, ул. Калинина, д. 2, корп. 4, лит. А