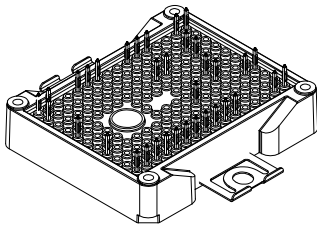
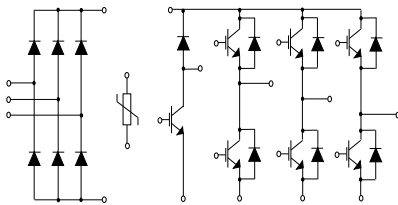


# ACEPACK™ 2 converter inverter brake, 1200 V, 35 A trench gate field-stop IGBT M series, soft diode and NTC


**ACEPACK™ 2**


## Features

- ACEPACK™ 2 power module
  - DBC Cu Al<sub>2</sub>O<sub>3</sub> Cu
- Converter inverter brake topology
  - 1600 V, very low drop rectifiers for converter
  - 1200 V, 35 A IGBTs and diodes
  - Soft and fast recovery diode
- Integrated NTC

## Applications

- Inverters
- Motor drives

## Description

This power module is a converter-inverter brake (CIB) topology in an ACEPACK™ 2 package with NTC, integrating the advanced trench gate field-stop technology from STMicroelectronics. This new IGBT technology represents the best compromise between conduction and switching loss, to maximize the efficiency of any converter system up to 20 kHz.

### Product status link

[A2C35S12M3-F](#)

### Product summary

<b>Order code</b>	A2C35S12M3-F
<b>Marking</b>	A2C35S12M3-F
<b>Package</b>	ACEPACK™ 2
<b>Leads type</b>	Press fit contact pins

# 1 Electrical ratings

## 1.1 Inverter stage

Limiting values at  $T_J = 25\text{ °C}$ , unless otherwise specified.

### 1.1.1 IGBTs

**Table 1. Absolute maximum ratings of the IGBTs, inverter stage**

Symbol	Description	Value	Unit
$V_{CES}$	Collector-emitter voltage ( $V_{GE} = 0$ )	1200	V
$I_C$	Continuous collector current ( $T_C = 100\text{ °C}$ )	35	A
$I_{CP}^{(1)}$	Pulsed collector current ( $t_p = 1\text{ ms}$ )	70	A
$V_{GE}$	Gate-emitter voltage	$\pm 20$	V
$P_{TOT}$	Total power dissipation of each IGBT ( $T_C = 25\text{ °C}$ , $T_J = 175\text{ °C}$ )	250	W
$T_{JMAX}$	Maximum junction temperature	175	°C
$T_{Jop}$	Operating junction temperature range under switching conditions	-40 to 150	°C

1. Pulse width limited by maximum junction temperature.

**Table 2. Electrical characteristics of the IGBTs, inverter stage**

Symbol	Parameter	Test conditions	Min.	Typ.	Max.	Unit
$V_{(BR)CES}$	Collector-emitter breakdown voltage	$I_C = 1\text{ mA}$ , $V_{GE} = 0\text{ V}$	1200			V
$V_{CE(sat)}$ (terminal)	Collector-emitter saturation voltage	$V_{GE} = 15\text{ V}$ , $I_C = 35\text{ A}$		1.95	2.45	V
		$V_{GE} = 15\text{ V}$ , $I_C = 35\text{ A}$ , $T_J = 150\text{ °C}$		2.3		V
$V_{GE(th)}$	Gate threshold voltage	$V_{CE} = V_{GE}$ , $I_C = 1\text{ mA}$	5	6	7	V
$I_{CES}$	Collector cut-off current	$V_{GE} = 0\text{ V}$ , $V_{CE} = 1200\text{ V}$			100	$\mu\text{A}$
$I_{GES}$	Gate-emitter leakage current	$V_{CE} = 0\text{ V}$ , $V_{GE} = \pm 20\text{ V}$			$\pm 500$	nA
$C_{ies}$	Input capacitance	$V_{CE} = 25\text{ V}$ , $f = 1\text{ MHz}$ , $V_{GE} = 0\text{ V}$		2154		pF
$C_{oes}$	Output capacitance			164		pF
$C_{res}$	Reverse transfer capacitance			86		pF
$Q_g$	Total gate charge	$V_{CC} = 960\text{ V}$ , $I_C = 35\text{ A}$ , $V_{GE} = \pm 15\text{ V}$		163		nC
$t_{d(on)}$	Turn-on delay time	$V_{CC} = 600\text{ V}$ , $I_C = 35\text{ A}$ , $R_G = 10\ \Omega$ , $V_{GE} = \pm 15\text{ V}$ , $di/dt = 1460\text{ A}/\mu\text{s}$		127		ns
$t_r$	Current rise time			18.5		ns
$E_{on}^{(1)}$	Turn-on switching energy			1.065		mJ

Symbol	Parameter	Test conditions	Min.	Typ.	Max.	Unit
$t_{d(off)}$	Turn-off delay time	$V_{CC} = 600\text{ V}, I_C = 35\text{ A},$		135		ns
$t_f$	Current fall time	$R_G = 10\ \Omega, V_{GE} = \pm 15\text{ V},$		133		ns
$E_{off}^{(2)}$	Turn-off switching energy	$dv/dt = 9000\text{ V}/\mu\text{s}$		1.83		mJ
$t_{d(on)}$	Turn-on delay time	$V_{CC} = 600\text{ V}, I_C = 35\text{ A},$		125		ns
$t_r$	Current rise time	$R_G = 10\ \Omega, V_{GE} = \pm 15\text{ V},$		20		ns
$E_{on}^{(1)}$	Turn-on switching energy	$di/dt = 1424\text{ A}/\mu\text{s}, T_J = 150\text{ }^\circ\text{C}$		1.79		mJ
$t_{d(off)}$	Turn-off delay time	$V_{CC} = 600\text{ V}, I_C = 35\text{ A},$		140		ns
$t_f$	Current fall time	$R_G = 10\ \Omega, V_{GE} = \pm 15\text{ V},$		224		ns
$E_{off}^{(2)}$	Turn-off switching energy	$dv/dt = 7500\text{ V}/\mu\text{s}, T_J = 150\text{ }^\circ\text{C}$		2.85		mJ
$t_{SC}$	Short-circuit withstand time	$V_{CC} \leq 600\text{ V}, V_{GE} \leq 15\text{ V},$ $T_{jstart} \leq 150\text{ }^\circ\text{C}$	10			$\mu\text{s}$
$R_{THj-c}$	Thermal resistance junction-to-case	Each IGBT		0.55	0.60	$^\circ\text{C}/\text{W}$
$R_{THc-h}$	Thermal resistance case-to-heatsink	Each IGBT, $\lambda_{grease} = 1\text{ W}/(\text{m}\cdot^\circ\text{C})$		0.70		$^\circ\text{C}/\text{W}$

1. Including the reverse recovery of the diode.

2. Including the tail of the collector current.

### 1.1.2 Diode

Limiting values at  $T_J = 25\text{ }^\circ\text{C}$ , unless otherwise specified.

**Table 3. Absolute maximum ratings of the diode, inverter stage**

Symbol	Parameter	Value	Unit
$V_{RRM}$	Repetitive peak reverse voltage	1200	V
$I_F$	Continuous forward current ( $T_C = 100\text{ }^\circ\text{C}$ )	35	A
$I_{FP}^{(1)}$	Pulsed forward current ( $t_p = 1\text{ ms}$ )	70	A
$T_{JMAX}$	Maximum junction temperature	175	$^\circ\text{C}$
$T_{Jop}$	Operating junction temperature range under switching conditions	-40 to 150	$^\circ\text{C}$

1. Pulse width limited by maximum junction temperature

**Table 4. Electrical characteristics of the diode, inverter stage**

Symbol	Parameter	Test conditions	Min.	Typ.	Max.	Unit
$V_F$ (terminal)	Forward voltage	$I_F = 35\text{ A}$	-	2.95	4.1	V
		$I_F = 35\text{ A}, T_J = 150\text{ }^\circ\text{C}$	-	2.3		
$t_{rr}$	Reverse recovery time		-	200		ns
$Q_{rr}$	Reverse recovery charge	$I_F = 35\text{ A}, V_R = 600\text{ V},$	-	2.7		$\mu\text{C}$
$I_{rrm}$	Reverse recovery current	$V_{GE} = \pm 15\text{ V}, di_f/dt = 1460\text{ A}/\mu\text{s}$	-	43		A
$E_{rec}$	Reverse recovery energy		-	1.1		mJ

Symbol	Parameter	Test conditions	Min.	Typ.	Max.	Unit
$t_{rr}$	Reverse recovery time	$I_F = 35\text{ A}$ , $V_R = 600\text{ V}$ , $V_{GE} = \pm 15\text{ V}$ , $di_F/dt = 1424\text{ A}/\mu\text{s}$ , $T_J = 150\text{ }^\circ\text{C}$	-	380		ns
$Q_{rr}$	Reverse recovery charge		-	6.8		$\mu\text{C}$
$I_{rrm}$	Reverse recovery current		-	60		A
$E_{rec}$	Reverse recovery energy		-	3.2		mJ
$R_{THj-c}$	Thermal resistance junction-to-case	Each diode	-	0.80	0.90	$^\circ\text{C}/\text{W}$
$R_{THc-h}$	Thermal resistance case-to-heatsink	Each diode, $\lambda_{grease} = 1\text{ W}/(\text{m}\cdot^\circ\text{C})$	-	0.75		$^\circ\text{C}/\text{W}$

## 1.2 Brake stage

Limiting values at  $T_J = 25\text{ }^\circ\text{C}$ , unless otherwise specified.

### 1.2.1 IGBT

**Table 5. Absolute maximum ratings of the IGBT, brake stage**

Symbol	Parameter	Value	Unit
$V_{CES}$	Collector-emitter voltage ( $V_{GE} = 0$ )	1200	V
$I_C$	Continuous collector current ( $T_C = 100\text{ }^\circ\text{C}$ )	35	A
$I_{CP}^{(1)}$	Pulsed collector current ( $t_p = 1\text{ ms}$ )	70	A
$V_{GE}$	Gate-emitter voltage	$\pm 20$	V
$P_{TOT}$	Total power dissipation of each IGBT ( $T_C = 25\text{ }^\circ\text{C}$ , $T_J = 175\text{ }^\circ\text{C}$ )	250	W
$T_{JMAX}$	Maximum junction temperature	175	$^\circ\text{C}$
$T_{Jop}$	Operating junction temperature range under switching conditions	-40 to 150	$^\circ\text{C}$

1. Pulse width limited by maximum junction temperature.

**Table 6. Electrical characteristics of the IGBT, brake stage**

Symbol	Parameter	Test conditions	Min.	Typ.	Max.	Unit
$V_{(BR)CES}$	Collector-emitter breakdown voltage	$I_C = 1\text{ mA}$ , $V_{GE} = 0\text{ V}$	1200			V
$V_{CE(sat)}$ (terminal)	Collector-emitter saturation voltage	$V_{GE} = 15\text{ V}$ , $I_C = 35\text{ A}$		1.95		V
		$V_{GE} = 15\text{ V}$ , $I_C = 35\text{ A}$ , $T_J = 150\text{ }^\circ\text{C}$		2.3		
$V_{GE(th)}$	Gate threshold voltage	$V_{CE} = V_{GE}$ , $I_C = 1\text{ mA}$	5	6	7	V
$I_{CES}$	Collector cut-off current	$V_{GE} = 0\text{ V}$ , $V_{CE} = 1200\text{ V}$			100	$\mu\text{A}$
$I_{GES}$	Gate-emitter leakage current	$V_{CE} = 0\text{ V}$ , $V_{GE} = \pm 20\text{ V}$			$\pm 500$	nA
$C_{ies}$	Input capacitance	$V_{CE} = 25\text{ V}$ , $f = 1\text{ MHz}$ , $V_{GE} = 0\text{ V}$		2154		pF
$C_{oes}$	Output capacitance			164		pF
$C_{res}$	Reverse transfer capacitance			86		pF

Symbol	Parameter	Test conditions	Min.	Typ.	Max.	Unit
$Q_g$	Total gate charge	$V_{CC} = 960 \text{ V}$ , $I_C = 35 \text{ A}$ , $V_{GE} = \pm 15 \text{ V}$		163		nC
$t_{d(on)}$	Turn-on delay time	$V_{CC} = 600 \text{ V}$ , $I_C = 35 \text{ A}$ , $R_G = 10 \Omega$ , $V_{GE} = \pm 15 \text{ V}$ , $di/dt = 1460 \text{ A}/\mu\text{s}$		127		ns
$t_r$	Current rise time			18.5		ns
$E_{on}^{(1)}$	Turn-on switching energy			1.065		mJ
$t_{d(off)}$	Turn-off delay time	$V_{CC} = 600 \text{ V}$ , $I_C = 35 \text{ A}$ , $R_G = 10 \Omega$ , $V_{GE} = \pm 15 \text{ V}$ , $dv/dt = 9000 \text{ V}/\mu\text{s}$		135		ns
$t_f$	Current fall time			133		ns
$E_{off}^{(2)}$	Turn-off switching energy			1.83		mJ
$t_{d(on)}$	Turn-on delay time	$V_{CC} = 600 \text{ V}$ , $I_C = 35 \text{ A}$ , $R_G = 10 \Omega$ , $V_{GE} = \pm 15 \text{ V}$ , $di/dt = 1424 \text{ A}/\mu\text{s}$ , $T_J = 150 \text{ }^\circ\text{C}$		125		ns
$t_r$	Current rise time			20		ns
$E_{on}^{(1)}$	Turn-on switching energy			1.79		mJ
$t_{d(off)}$	Turn-off delay time	$V_{CC} = 600 \text{ V}$ , $I_C = 35 \text{ A}$ , $R_G = 10 \Omega$ , $V_{GE} = \pm 15 \text{ V}$ , $dv/dt = 7500 \text{ V}/\mu\text{s}$ , $T_J = 150 \text{ }^\circ\text{C}$		140		ns
$t_f$	Current fall time			224		ns
$E_{off}^{(2)}$	Turn-off switching energy			2.85		mJ
$t_{SC}$	Short-circuit withstand time	$V_{CC} \leq 600 \text{ V}$ , $V_{GE} \leq 15 \text{ V}$ , $T_{Jstart} \leq 150 \text{ }^\circ\text{C}$	10			$\mu\text{s}$
$R_{THj-c}$	Thermal resistance junction-to-case	Each IGBT		0.55	0.60	$^\circ\text{C}/\text{W}$
$R_{THc-h}$	Thermal resistance case-to-heatsink	Each IGBT, $\lambda_{grease} = 1 \text{ W}/(\text{m}\cdot^\circ\text{C})$		0.70		$^\circ\text{C}/\text{W}$

1. Including the reverse recovery of the diode.
2. Including the tail of the collector current.

**1.2.2 Diode**
**Table 7. Absolute maximum ratings of the diode, brake stage**

Symbol	Parameter	Value	Unit
$V_{RRM}$	Repetitive peak reverse voltage	1200	V
$I_F$	Continuous forward current ( $T_C = 100\text{ °C}$ )	35	A
$I_{FP}^{(1)}$	Pulsed forward current ( $t_p = 1\text{ ms}$ )	70	A
$T_{JMAX}$	Maximum junction temperature	175	°C
$T_{Jop}$	Operating junction temperature range under switching conditions	-40 to 150	°C

1. Pulse width limited by maximum junction temperature

**Table 8. Electrical characteristics of the diode, brake stage**

Symbol	Parameter	Test conditions	Min.	Typ.	Max.	Unit
$V_F$ (terminal)	Forward voltage	$I_F = 35\text{ A}$	-	2.95		V
		$I_F = 35\text{ A}, T_J = 150\text{ °C}$	-	2.3		
$t_{rr}$	Reverse recovery time	$I_F = 35\text{ A}, V_R = 600\text{ V}, V_{GE} = \pm 15\text{ V},$ $di/dt = 1460\text{ A}/\mu\text{s}$	-	200		ns
$Q_{rr}$	Reverse recovery charge		-	2.7		$\mu\text{C}$
$I_{rrm}$	Reverse recovery current		-	43		A
$E_{rec}$	Reverse recovery energy		-	1.1		mJ
$t_{rr}$	Reverse recovery time	$I_F = 35\text{ A}, V_R = 600\text{ V}, V_{GE} = \pm 15\text{ V},$ $di/dt = 1424\text{ A}/\mu\text{s}, T_J = 150\text{ °C}$	-	380		ns
$Q_{rr}$	Reverse recovery charge		-	6.8		$\mu\text{C}$
$I_{rrm}$	Reverse recovery current		-	60		A
$E_{rec}$	Reverse recovery energy		-	3.2		mJ
$R_{THj-c}$	Thermal resistance junction-to-case	Each diode	-	0.80	0.90	°C/W
$R_{THc-h}$	Thermal resistance case-to-heatsink	Each diode, $\lambda_{grease} = 1\text{ W}/(\text{m}\cdot\text{°C})$	-	0.75		°C/W

### 1.3 Converter stage

Limiting values at  $T_J = 25\text{ °C}$ , unless otherwise specified.

**Table 9. Absolute maximum ratings of the bridge rectifiers**

Symbol	Description	Value	Unit
$V_{RRM}$	Repetitive peak reverse voltage	1600	V
$I_F$	RMS forward current	70	A
$I_{FSM}$	Forward surge current, $t_p = 10\text{ ms}$ , $T_C = 25\text{ °C}$	450	A
	Forward surge current, $t_p = 10\text{ ms}$ , $T_C = 150\text{ °C}$	365	
$I^2t$	$t_p = 10\text{ ms}$ , $T_C = 25\text{ °C}$	1012	A <sup>2</sup> s
	$t_p = 10\text{ ms}$ , $T_C = 150\text{ °C}$	666	
$T_{JMAX}$	Maximum junction temperature	175	°C
$T_{Jop}$	Operating junction temperature range under switching conditions	-40 to 150	°C

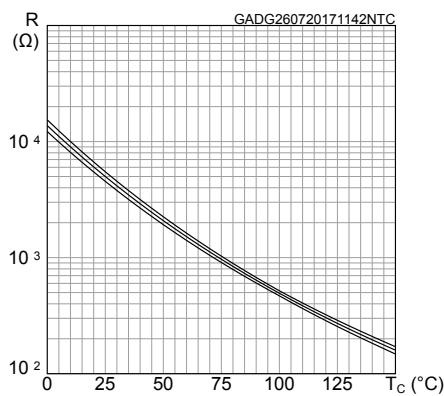
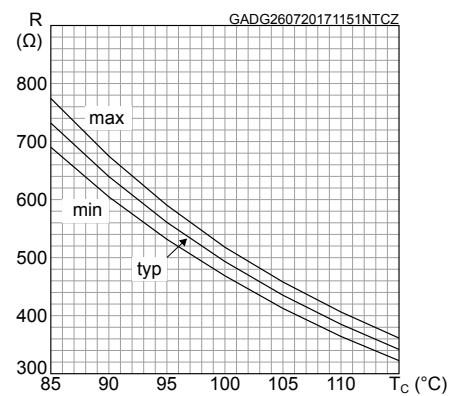
**Table 10. Electrical characteristics of the bridge rectifiers**

Symbol	Parameter	Test conditions	Min.	Typ.	Max.	Unit
$V_F$ (terminal)	Forward voltage	$I_F = 35\text{ A}$	-	1.12	1.5	V
		$I_F = 35\text{ A}$ , $T_J = 150\text{ °C}$	-	1.02		
$I_R$	Reverse current	$T_J = 150\text{ °C}$ , $V_R = 1600\text{ V}$	-	1		mA
$R_{THj-c}$	Thermal resistance junction-to-case	Each diode	-	1.00	1.10	°C/W
$R_{THc-h}$	Thermal resistance case-to-heatsink	Each diode, $\lambda_{grease} = 1\text{ W/(m}\cdot\text{°C)}$	-	0.95		°C/W

## 1.4 NTC

**Table 11. NTC temperature sensor, considered as stand-alone**

Symbol	Parameter	Test conditions	Min.	Typ.	Max.	Unit
R <sub>25</sub>	Resistance	T = 25 °C		5		kΩ
R <sub>100</sub>	Resistance	T = 100 °C		493		Ω
ΔR/R	Deviation of R <sub>100</sub>		-5		+5	%
B <sub>25/50</sub>	B-constant			3375		K
B <sub>25/80</sub>	B-constant			3411		K
T	Operating temperature range		-40		150	°C

**Figure 1. NTC resistance vs temperature**

**Figure 2. NTC resistance vs temperature, zoom**


## 1.5 Package

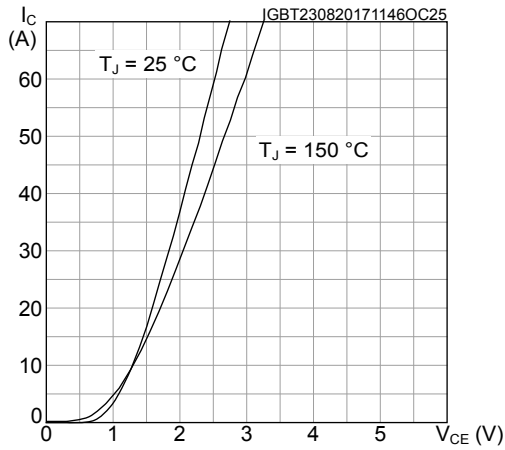
**Table 12. ACEPACK™ 2 package**

Symbol	Parameter	Min.	Typ.	Max.	Unit
V <sub>isol</sub>	Isolation voltage (AC voltage, t = 60 s)			2500	V
T <sub>stg</sub>	Storage temperature	-40		125	°C
CTI	Comparative tracking index	200			
L <sub>s</sub>	Stray inductance module P1 - EW loop		33.5		nH
R <sub>s</sub>	Module single lead resistance, terminal-to-chip		3.6		mΩ

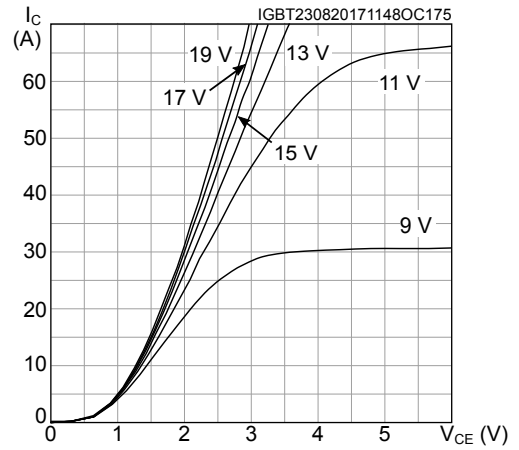


## 2 Electrical characteristics (curves)

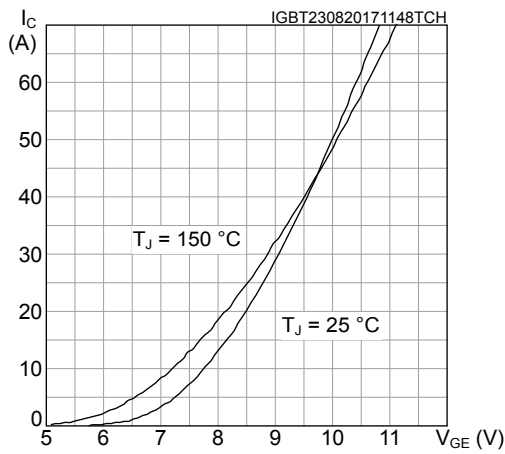
**Figure 3. IGBT output characteristics**  
( $V_{GE} = 15\text{ V}$ , terminal)



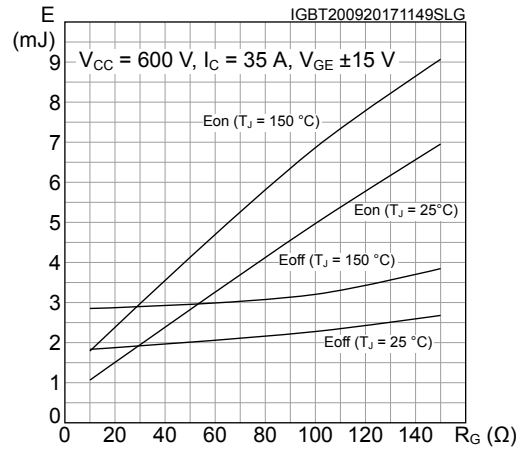
**Figure 4. IGBT output characteristics**  
( $T_J = 150\text{ °C}$ , terminal)



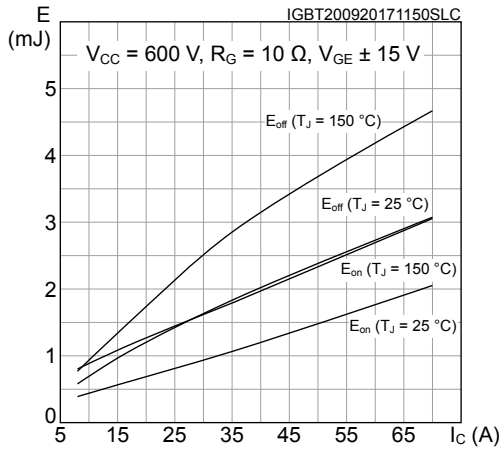
**Figure 5. IGBT output characteristics**  
( $V_{CE} = 15\text{ V}$ , terminal)



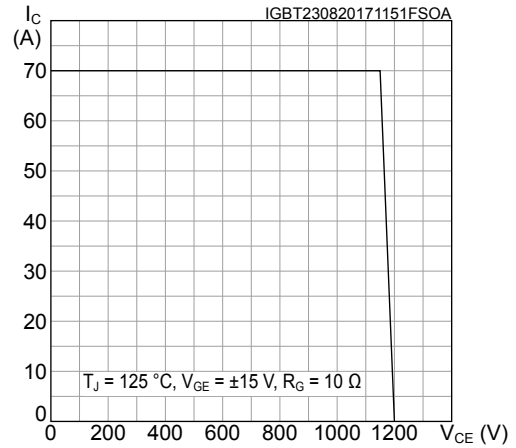
**Figure 6. Switching energy vs gate resistance**



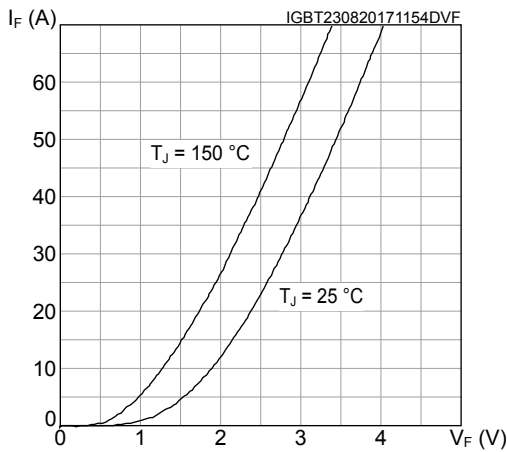
**Figure 7. Switching energy vs collector current**



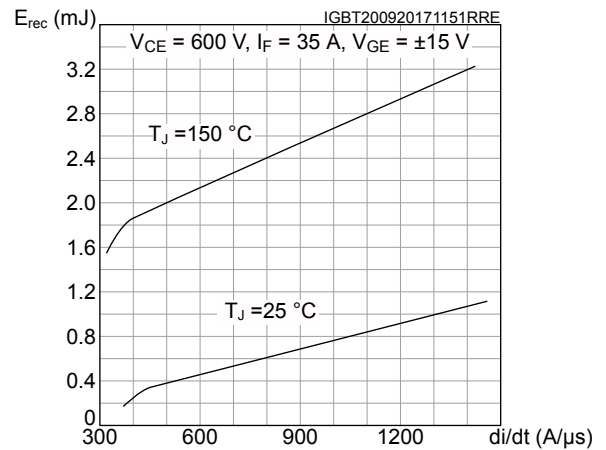
**Figure 8. IGBT reverse biased safe operating area (RBSOA)**



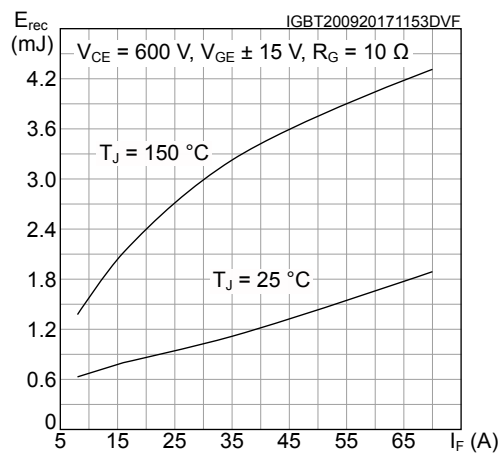
**Figure 9. Diode forward characteristics (terminal)**



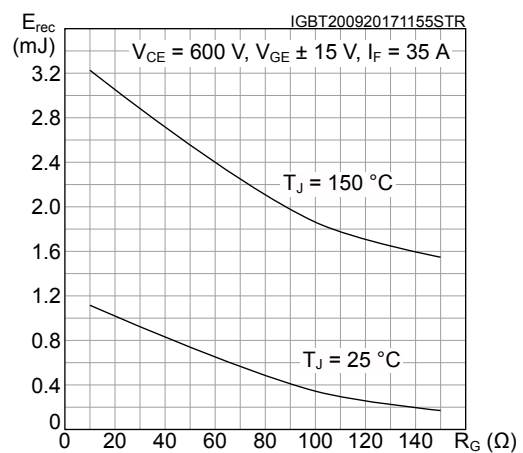
**Figure 10. Diode reverse recovery energy vs diode current slope**



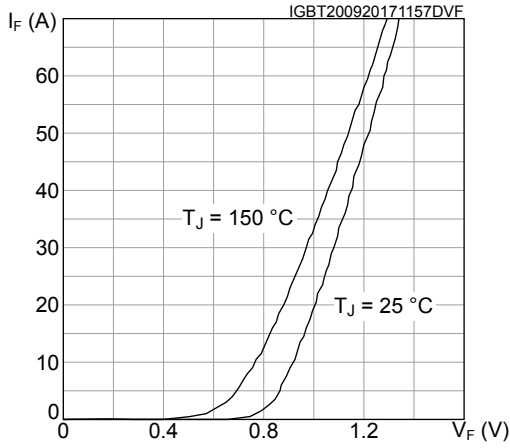
**Figure 11. Diode reverse recovery energy vs forward current**



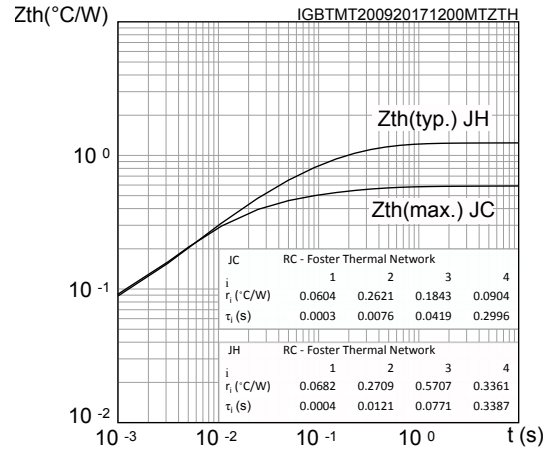
**Figure 12. Diode reverse recovery energy vs gate resistance**



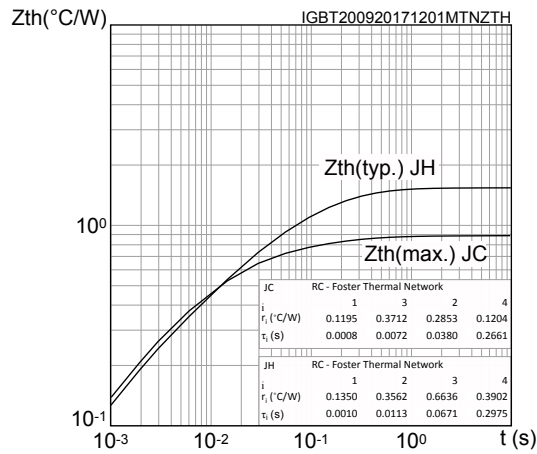
**Figure 13. Converter diode forward characteristics (terminal)**



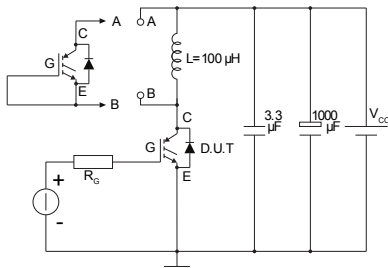
**Figure 14. IGBT thermal impedance**



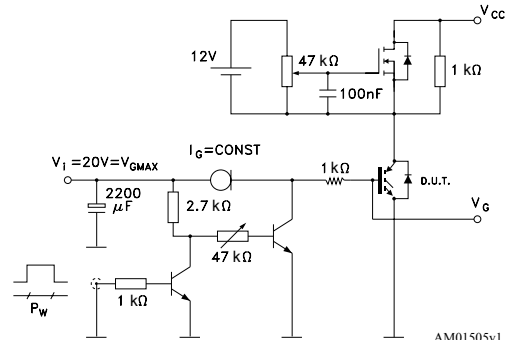
**Figure 15. Inverter diode thermal impedance**



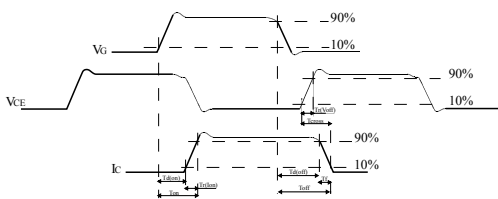
### 3 Test circuits

**Figure 16. Test circuit for inductive load switching**


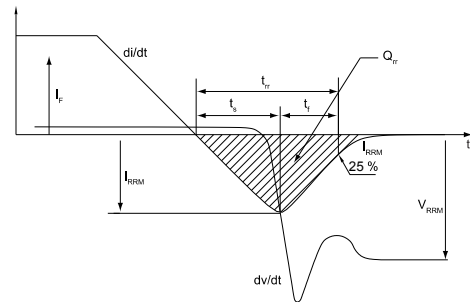
AM01504v1

**Figure 17. Gate charge test circuit**


AM01505v1

**Figure 18. Switching waveform**


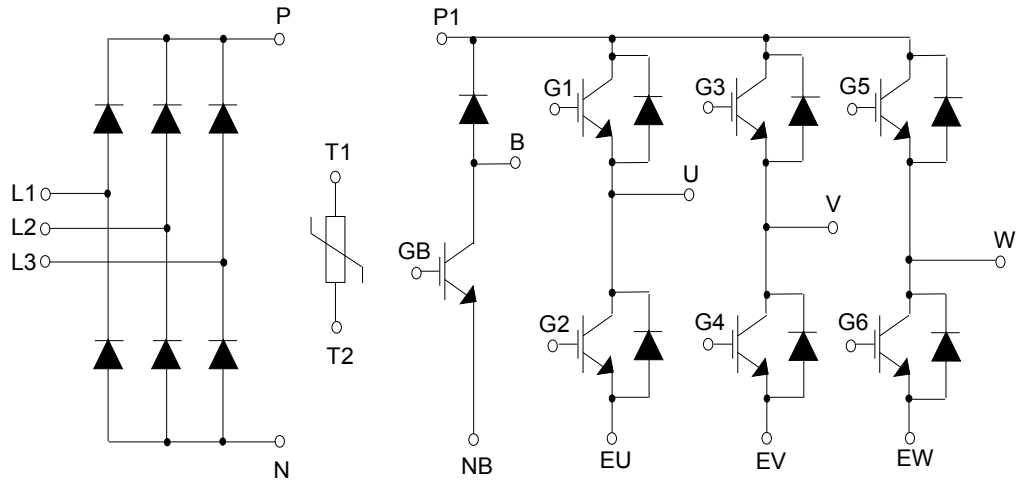
AM01506v1

**Figure 19. Diode reverse recovery waveform**


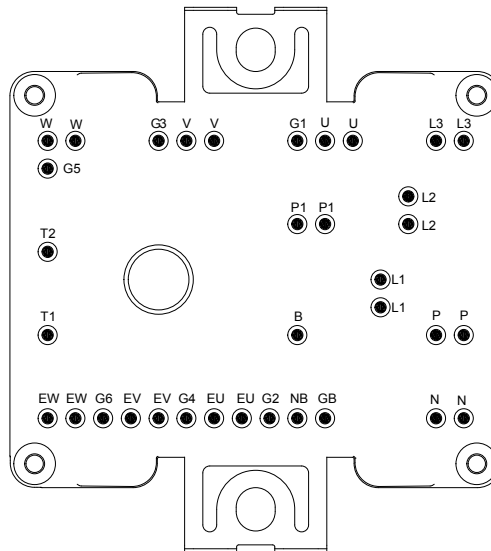
AM01507v1

## 4 Topology and pin description

**Figure 20. Electrical topology and pin description**



**Figure 21. Package top view with CIB pinout**

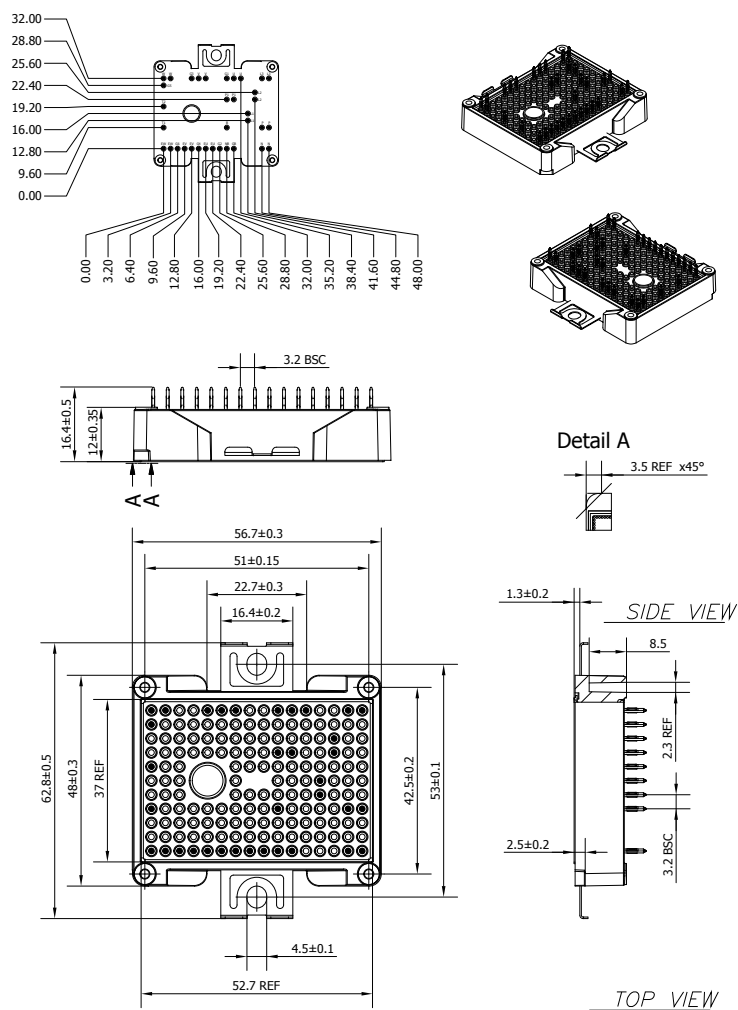


## 5 Package information

In order to meet environmental requirements, ST offers these devices in different grades of ECOPACK® packages, depending on their level of environmental compliance. ECOPACK® specifications, grade definitions and product status are available at: [www.st.com](http://www.st.com). ECOPACK® is an ST trademark.

### 5.1 ACEPACK™ 2 CIB press fit contact pins package information

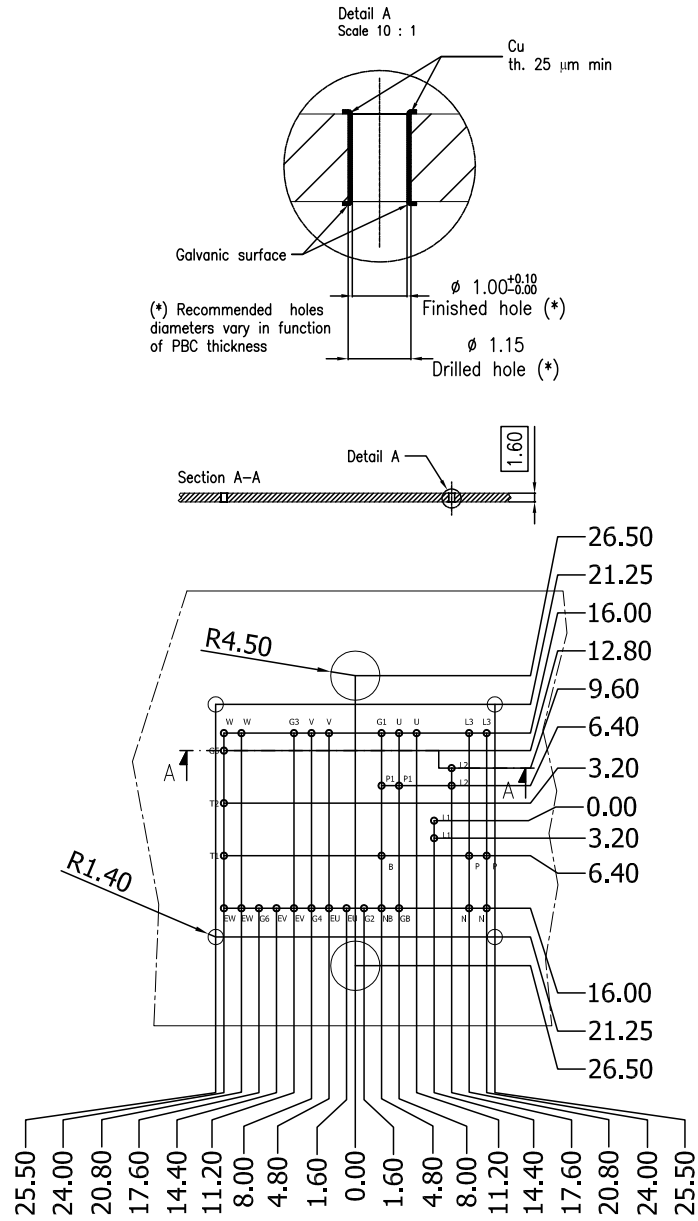
Figure 22. ACEPACK™ 2 CIB press fit contact pins package outline (dimensions are in mm)



8569722\_ACEPACK2\_CIB\_Press\_fit\_contact\_pins\_rev4

- The lead size includes the thickness of the lead plating material.
- Dimensions do not include mold protrusion.
- Package dimensions do not include any eventual metal burrs.

**Figure 23. ACEPACK™ 2 CIB press fit contact pins recommended PCB holes layout (dimensions are in mm)**



8569722\_ACEPACK2\_CIB\_Press\_fit\_contact\_pins\_PCBholes\_rev4

## Revision history

**Table 13. Document revision history**

Date	Revision	Changes
03-May-2016	1	Initial release.
22-Sep-2017	2	<p>Updated title, features and description in cover page.</p> <p>Updated <i>Table 1: "Device summary"</i>, <i>Section 1: "Electrical ratings"</i>, <i>Section 2: "Electrical characteristics curves"</i>, <i>Section 4: "Topology and pin description"</i> and <i>Section 5: "Package information"</i>.</p> <p>Minor text changes.</p>
22-Mar-2018	3	<p>Removed maturity status indication from cover page. The document status is production data.</p> <p>Updated features on cover page.</p> <p>Updated <a href="#">Table 10. Electrical characteristics of the bridge rectifiers</a>.</p> <p>Updated <a href="#">Figure 14. IGBT thermal impedance</a> and <a href="#">Figure 15. Inverter diode thermal impedance</a>.</p> <p>Updated <a href="#">Section 5.1 ACEPACK™ 2 CIB press fit contact pins package information</a>.</p> <p>Minor text changes</p>



## Contents

<b>1</b>	<b>Electrical ratings</b>	<b>2</b>
1.1	Inverter stage	2
1.1.1	IGBTs	2
1.1.2	Diode	3
1.2	Brake stage	4
1.2.1	IGBT	4
1.2.2	Diode	6
1.3	Converter stage	7
1.4	NTC	8
1.5	Package	8
<b>2</b>	<b>Electrical characteristics (curves)</b>	<b>9</b>
<b>3</b>	<b>Test circuits</b>	<b>12</b>
<b>4</b>	<b>Topology and pin description</b>	<b>13</b>
<b>5</b>	<b>Package information</b>	<b>14</b>
5.1	ACEPACK™ 2 CIB press fit contact pins package information	14
	<b>Revision history</b>	<b>16</b>

**IMPORTANT NOTICE – PLEASE READ CAREFULLY**

STMicroelectronics NV and its subsidiaries (“ST”) reserve the right to make changes, corrections, enhancements, modifications, and improvements to ST products and/or to this document at any time without notice. Purchasers should obtain the latest relevant information on ST products before placing orders. ST products are sold pursuant to ST’s terms and conditions of sale in place at the time of order acknowledgement.

Purchasers are solely responsible for the choice, selection, and use of ST products and ST assumes no liability for application assistance or the design of Purchasers’ products.

No license, express or implied, to any intellectual property right is granted by ST herein.

Resale of ST products with provisions different from the information set forth herein shall void any warranty granted by ST for such product.

ST and the ST logo are trademarks of ST. All other product or service names are the property of their respective owners.

Information in this document supersedes and replaces information previously supplied in any prior versions of this document.

© 2018 STMicroelectronics – All rights reserved

Компания «Океан Электроники» предлагает заключение долгосрочных отношений при поставках импортных электронных компонентов на взаимовыгодных условиях!

Наши преимущества:

- Поставка оригинальных импортных электронных компонентов напрямую с производств Америки, Европы и Азии, а так же с крупнейших складов мира;
- Широкая линейка поставок активных и пассивных импортных электронных компонентов (более 30 млн. наименований);
- Поставка сложных, дефицитных, либо снятых с производства позиций;
- Оперативные сроки поставки под заказ (от 5 рабочих дней);
- Экспресс доставка в любую точку России;
- Помощь Конструкторского Отдела и консультации квалифицированных инженеров;
- Техническая поддержка проекта, помощь в подборе аналогов, поставка прототипов;
- Поставка электронных компонентов под контролем ВП;
- Система менеджмента качества сертифицирована по Международному стандарту ISO 9001;
- При необходимости вся продукция военного и аэрокосмического назначения проходит испытания и сертификацию в лаборатории (по согласованию с заказчиком);
- Поставка специализированных компонентов военного и аэрокосмического уровня качества (Xilinx, Altera, Analog Devices, Intersil, Interpoint, Microsemi, Actel, Aeroflex, Peregrine, VPT, Syfer, Eurofarad, Texas Instruments, MS Kennedy, Miteq, Cobham, E2V, MA-COM, Hittite, Mini-Circuits, General Dynamics и др.);

Компания «Океан Электроники» является официальным дистрибьютором и эксклюзивным представителем в России одного из крупнейших производителей разъемов военного и аэрокосмического назначения «**JONHON**», а так же официальным дистрибьютором и эксклюзивным представителем в России производителя высокотехнологичных и надежных решений для передачи СВЧ сигналов «**FORSTAR**».



## JONHON

«**JONHON**» (основан в 1970 г.)

Разъемы специального, военного и аэрокосмического назначения:

(Применяются в военной, авиационной, аэрокосмической, морской, железнодорожной, горно- и нефтедобывающей отраслях промышленности)

«**FORSTAR**» (основан в 1998 г.)

ВЧ соединители, коаксиальные кабели,  
кабельные сборки и микроволновые компоненты:

(Применяются в телекоммуникациях гражданского и специального назначения, в средствах связи, РЛС, а так же военной, авиационной и аэрокосмической отраслях промышленности).



Телефон: 8 (812) 309-75-97 (многоканальный)

Факс: 8 (812) 320-03-32

Электронная почта: [ocean@oceanchips.ru](mailto:ocean@oceanchips.ru)

Web: <http://oceanchips.ru/>

Адрес: 198099, г. Санкт-Петербург, ул. Калинина, д. 2, корп. 4, лит. А