

**1.5A STEP-DOWN/STEP-UP/INVERTING DC-DC CONVERTER****AZ34063A****General Description**

The AZ34063A is a monolithic switching regulator control circuit which contains the primary functions required for DC-DC converters. This device consists of internal temperature compensated reference, voltage comparator, controlled duty cycle oscillator with active current limit circuit, driver and high current output switch.

The AZ34063A is specifically designed as a general DC-DC converter to be used in Step-Down, Step-Up and Voltage-Inverting applications with a minimum number of external components.

The AZ34063A is available in 2 packages: SOIC-8 and DIP-8.

**Features**

- Operation from 3.0V to 36V Input
- Low Standby Current
- Current Limiting
- Output Switch Current to 1.5A
- Output Voltage Adjustable
- Operation Frequency up to 180KHz
- Precision 2% Reference

**Applications**

- Battery Chargers
- ADSL Modems
- Hubs
- Negative Voltage Power Supplies

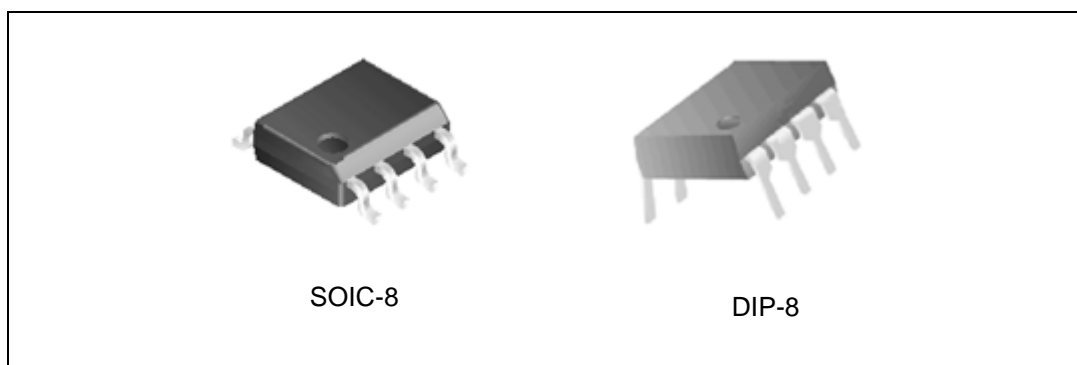


Figure 1. Package Types of AZ34063A



**1.5A STEP-DOWN/STEP-UP/INVERTING DC-DC CONVERTER AZ34063A**

**Pin Configuration**

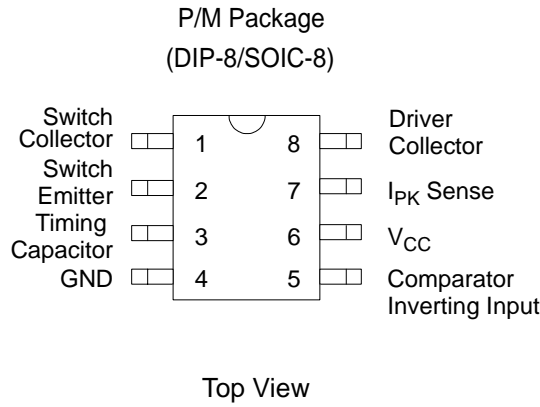


Figure 2. Pin Configuration of AZ34063A

**Functional Block Diagram**

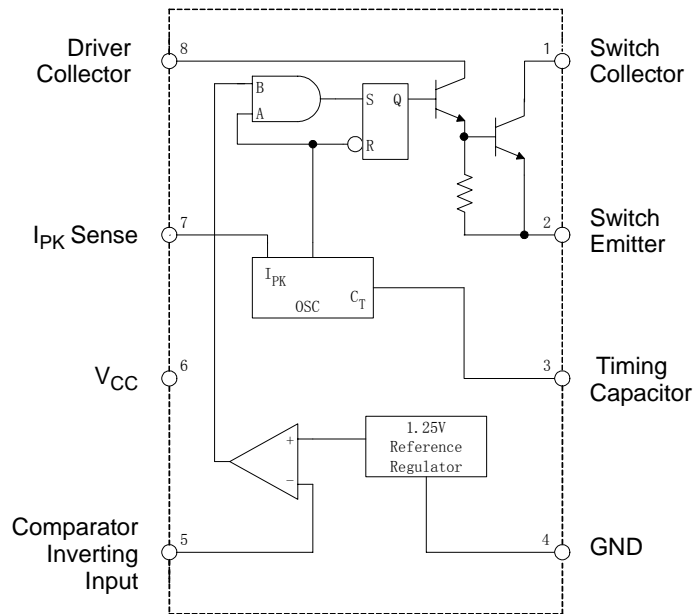


Figure 3. Functional Block Diagram of AZ34063A

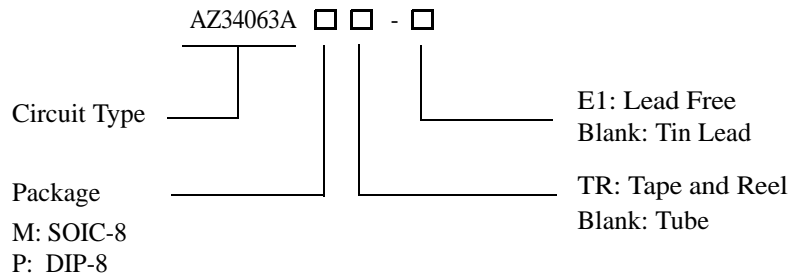


**1.5A STEP-DOWN/STEP-UP/INVERTING DC-DC CONVERTER      AZ34063A**

**Pin Description**

Pin Number	Pin Name	Function
1	Switch Collector	Internal switch transistor collector
2	Switch Emitter	Internal switch transistor emitter
3	Timing Capacitor	Timing Capacitor to control the switching frequency
4	GND	Ground pin for all internal circuits
5	Comparator Inverting Input	Inverting input pin for internal comparator
6	V <sub>CC</sub>	Voltage supply
7	I <sub>PK</sub> Sense	Peak Current Sense Input by monitoring the voltage drop across an external current sense resistor to limit the peak current through the switch
8	Driver Collector	Voltage driver collector

**Ordering Information**



Package	Temperature Range	Part Number		Marking ID		Packing Type
		Tin Lead	Lead Free	Tin Lead	Lead Free	
SOIC-8	-40 to 85°C	AZ34063AM	AZ34063AM-E1	34063AM	34063AM-E1	Tube
		AZ34063AMTR	AZ34063AMTR-E1	34063AM	34063AM-E1	Tape & Reel
DIP-8	-40 to 85°C	AZ34063AP	AZ34063AP-E1	AZ34063AP	AZ34063AP-E1	Tube

BCD Semiconductor's Pb-free products, as designated with "E1" suffix in the part number, are RoHS compliant.

**1.5A STEP-DOWN/STEP-UP/INVERTING DC-DC CONVERTER AZ34063A****Absolute Maximum Ratings (Note 1)**

Parameter	Symbol	Value	Unit
Power Supply Voltage	$V_{CC}$	40	V
Comparator Input Voltage Range	$V_{IR}$	-0.3 to 40	V
Switch Collector Voltage	$V_C(\text{switch})$	40	V
Switch Emitter Voltage ( $V_{PIN1}=40V$ )	$V_E(\text{switch})$	40	V
Switch Collector to Emitter Voltage	$V_{CE}(\text{switch})$	40	V
Driver Collector Voltage	$V_C(\text{driver})$	40	V
Driver Collector Current (Note 2)	$I_C(\text{driver})$	100	mA
Switch Current	$I_{SW}$	1.5	A
Power Dissipation ( $T_A=25\text{ }^\circ\text{C}$ )	DIP-8	$P_D$	1.25 W
	SOIC-8		780 mW
Thermal Resistance	DIP-8	$R_{\theta JA}$	100 $^\circ\text{C}/\text{W}$
	SOIC-8		160 $^\circ\text{C}/\text{W}$
Operating Junction Temperature	$T_J$	150	$^\circ\text{C}$
Lead Temperature (Soldering, 10s)	$T_{LEAD}$	260	$^\circ\text{C}$
Storage Temperature Range	$T_{STG}$	-65 to 150	$^\circ\text{C}$
ESD (Human body model)		2000	V

Note 1: Stresses greater than those listed under "Absolute Maximum Ratings" may cause permanent damage to the device. These are stress ratings only, and functional operation of the device at these or any other conditions beyond those indicated under "Recommended Operating Conditions" is not implied. Exposure to "Absolute Maximum Ratings" for extended periods may affect device reliability.

Note 2: Maximum package power dissipation limits must be observed.

**Recommended Operating Conditions**

Parameter	Symbol	Min	Max	Unit
Supply Voltage	$V_{CC}$	3	36	V
Ambient Temperature	$T_A$	-40	85	$^\circ\text{C}$



**1.5A STEP-DOWN/STEP-UP/INVERTING DC-DC CONVERTER AZ34063A**

**Electrical Characteristics**

( $V_{CC}=5.0\text{ V}$ ,  $T_A=-40\text{ to }85^\circ\text{C}$ , unless otherwise specified.)

Parameter	Symbol	Conditions	Min	Typ	Max	Unit
<b>OSCILLATOR</b>						
Frequency	$f_{OSC}$	$V_{PIN5}=0\text{V}$ , $C_T=1.0\text{nF}$ $T_A=25^\circ\text{C}$	30	38	45	KHz
Charge Current	$I_{CHG}$	$V_{CC}=5.0\text{V to }36\text{V}$ , $T_A=25^\circ\text{C}$	30	38	45	$\mu\text{A}$
Discharge Current	$I_{DISCHG}$	$V_{CC}=5.0\text{V to }36\text{V}$ , $T_A=25^\circ\text{C}$	180	240	290	$\mu\text{A}$
Discharge to Charge Current Ratio	$I_{DISCHG}/I_{CHG}$	Pin 7 to $V_{CC}$ , $T_A=25^\circ\text{C}$	5.2	6.5	7.5	
Current Limit Sense Voltage	$V_{IPK}(\text{sense})$	$I_{CHG}=I_{DISCHG}$ , $T_A=25^\circ\text{C}$	250	300	350	mV
<b>OUTPUT SWITCH (Note 3)</b>						
Saturation Voltage, Darlington Connection	$V_{CE}(\text{sat})$	$I_{SW}=1.0\text{A}$ , Pins 1, 8 connected, Common Emitter		1.0	1.3	V
Saturation Voltage (Note 4.)	$V_{CE}(\text{sat})$	$I_{SW}=1.0\text{A}$ , $R_{PIN8}=82\Omega$ to $V_{CC}$ , Forced $\beta=20$ , Common Emitter		0.45	0.7	V
DC Current Gain	$h_{FE}$	$I_{SW}=1.0\text{A}$ , $V_{CE}=5.0\text{V}$ , $T_A=25^\circ\text{C}$	50	75		
Collector Off-State Current	$I_C(\text{off})$	$V_{CE}=36\text{V}$		0.01	100	$\mu\text{A}$
<b>COMPARATOR</b>						
Threshold Voltage	$V_{TH}$	$T_A=25^\circ\text{C}$	1.225	1.250	1.275	V
		$T_A=-40\text{ to }85^\circ\text{C}$	1.21	1.250	1.29	
Threshold Voltage Line Regulation	$R_{EGLINE}$	$V_{CC}=3.0\text{V to }36\text{V}$		1.4	5	mV
Input Bias Current	$I_{IB}$	$V_{IN}=0\text{V}$		-20	-400	nA
<b>TOTAL DEVICE</b>						
Supply Current	$I_{CC}$	$V_{CC}=5.0\text{V to }36\text{V}$ , $C_T=1.0\text{nF}$ , $V_{PIN7}=V_{CC}$ , $V_{PIN5} > V_{TH}$ , $V_{PIN2}=\text{GND}$ , other pins open			4	mA

Note 3: Low duty cycle pulse technique are used during test to maintain junction temperature as close to ambient temperature as possible.

Note 4: If the output switch is driven into hard saturation (non-Darlington configuration) at low switch currents ( $\leq 300\text{mA}$ ) and high driver currents ( $\geq 30\text{mA}$ ), it may take up to 2.0us for it to come out of saturation. This condition will shorten the off time at frequencies 30KHz, and is magnified at high temperatures. This condition does not occur with a Darlington configuration, since the output switch cannot saturate. If a non-Darlington configuration is used, the following output drive condition is recommended:



**1.5A STEP-DOWN/STEP-UP/INVERTING DC-DC CONVERTER AZ34063A**

**Electrical Characteristics (Continued)**

Forced  $\beta$  of output switch: 
$$\frac{I_C \text{ output}}{I_{C\text{driver}} - 7.0\text{mA}} \geq 10$$

\* The 100 $\Omega$  resistor in the emitter of the driver device requires about 7.0 mA before the output switch conducts.

**Typical Performance Characteristics**

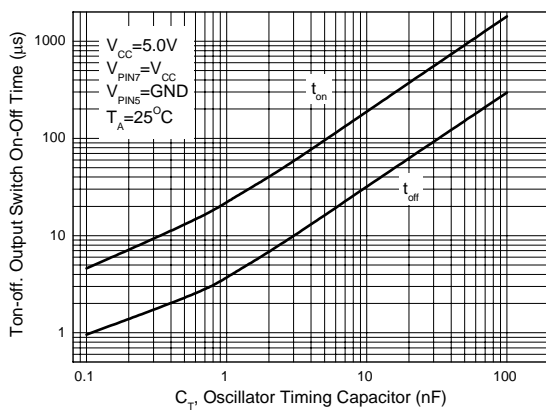


Figure 4. Output Switch On-Off Time vs. Oscillator Timing Capacitor

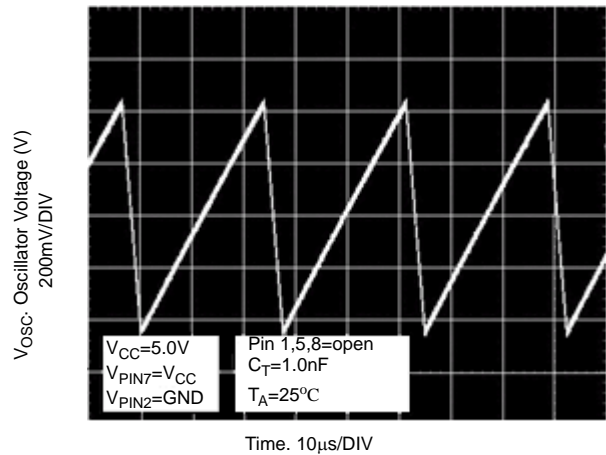


Figure 5. Timing Capacitor Waveform

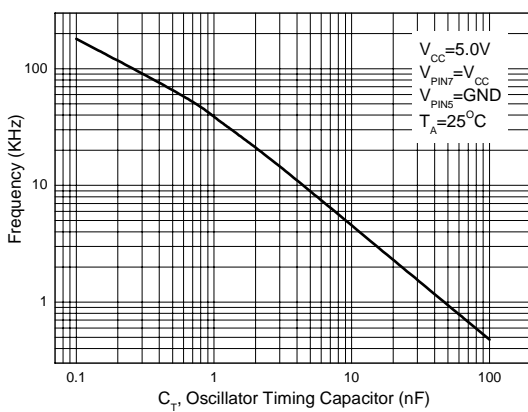


Figure 6. Oscillator Frequency vs. Timing Capacitor

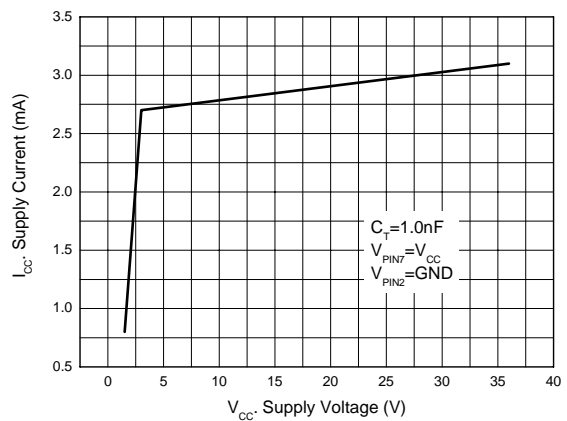


Figure 7. Standard Supply Current vs. Supply Voltage



**1.5A STEP-DOWN/STEP-UP/INVERTING DC-DC CONVERTER      AZ34063A**

**Typical Performance Characteristics (Continued)**

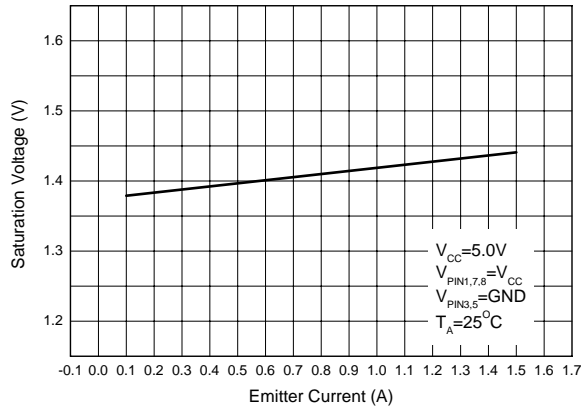


Figure 8. Emitter Follower Configuration Output Saturation Voltage vs. Emitter current

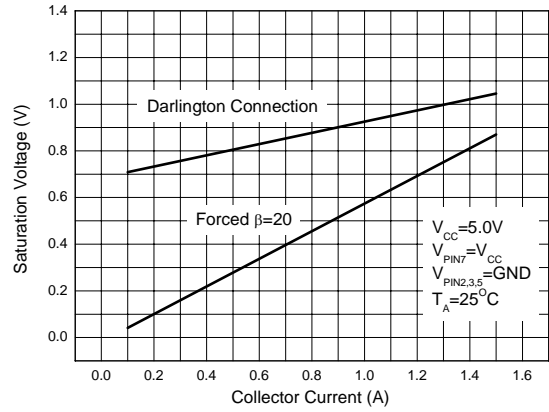


Figure 9. Common Emitter Configuration Output Switch Saturation Voltage vs. Collector Current

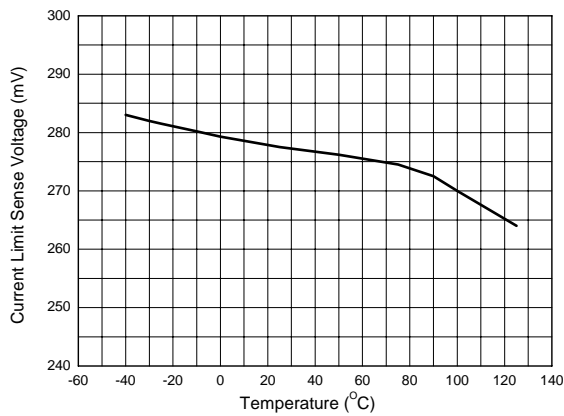


Figure 10. Current Limit Sense Voltage vs. Temperature



**1.5A STEP-DOWN/STEP-UP/INVERTING DC-DC CONVERTER      AZ34063A**

**Typical Applications**

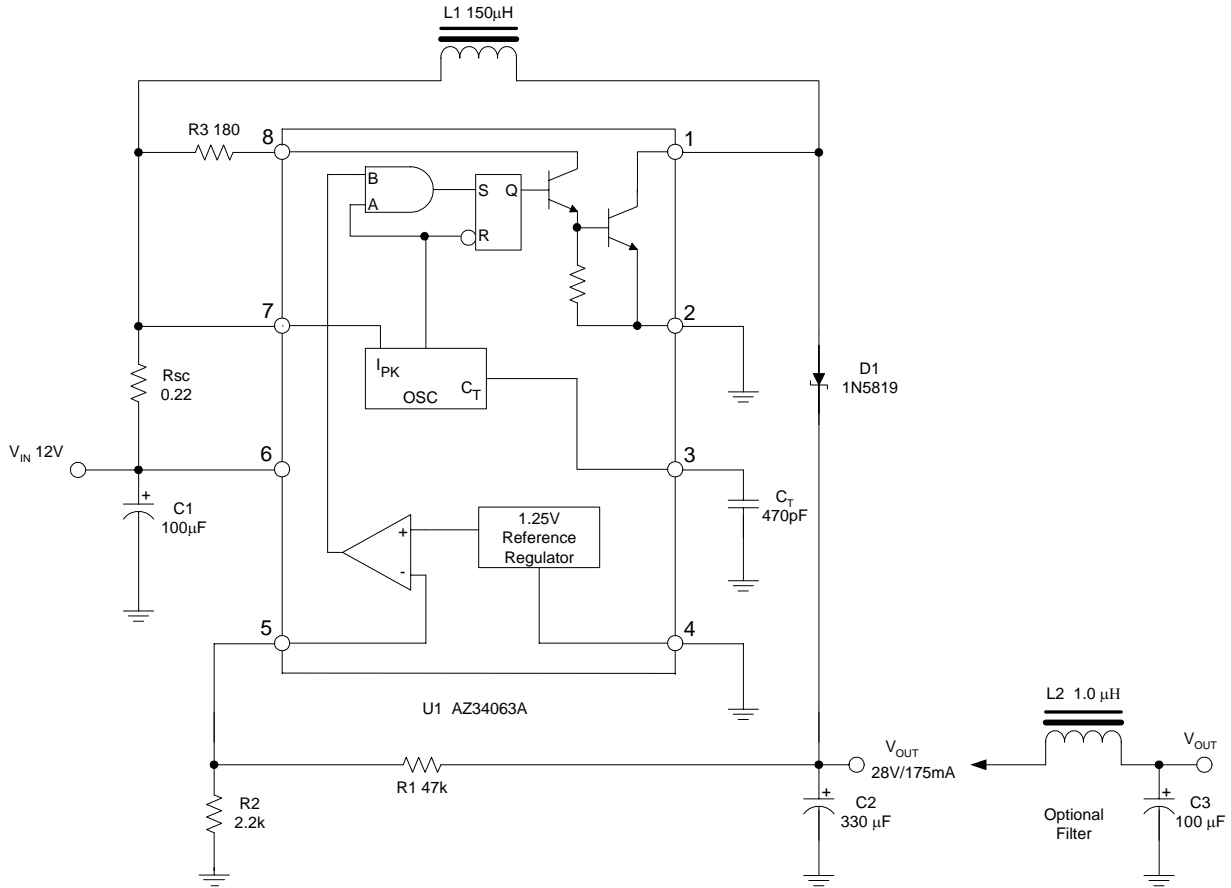


Figure 10. Step-Up Converter (Note 5)

Note 5: This is a typical step-up converter configuration. In the steady state, if the resistor divider voltage at pin 5 is greater than the voltage in the non-inverting input, which is 1.25V determined by the internal reference, the output of the comparator will go low. At the next switching period, the output switch will not conduct and the output voltage will eventually drop below its nominal voltage until the divider voltage at pin 5 is lower than 1.25V. Then the output of the comparator will go high, the output switch will be allowed to conduct. Since  $V_{PIN5} = V_{OUT} \cdot R2 / (R1 + R2) = 1.25(V)$ , the output voltage can be decided by  $V_{OUT} = 1.25 \cdot (R1 + R2) / R2 (V)$ .





**1.5A STEP-DOWN/STEP-UP/INVERTING DC-DC CONVERTER AZ34063A**

**Typical Applications (Continued)**

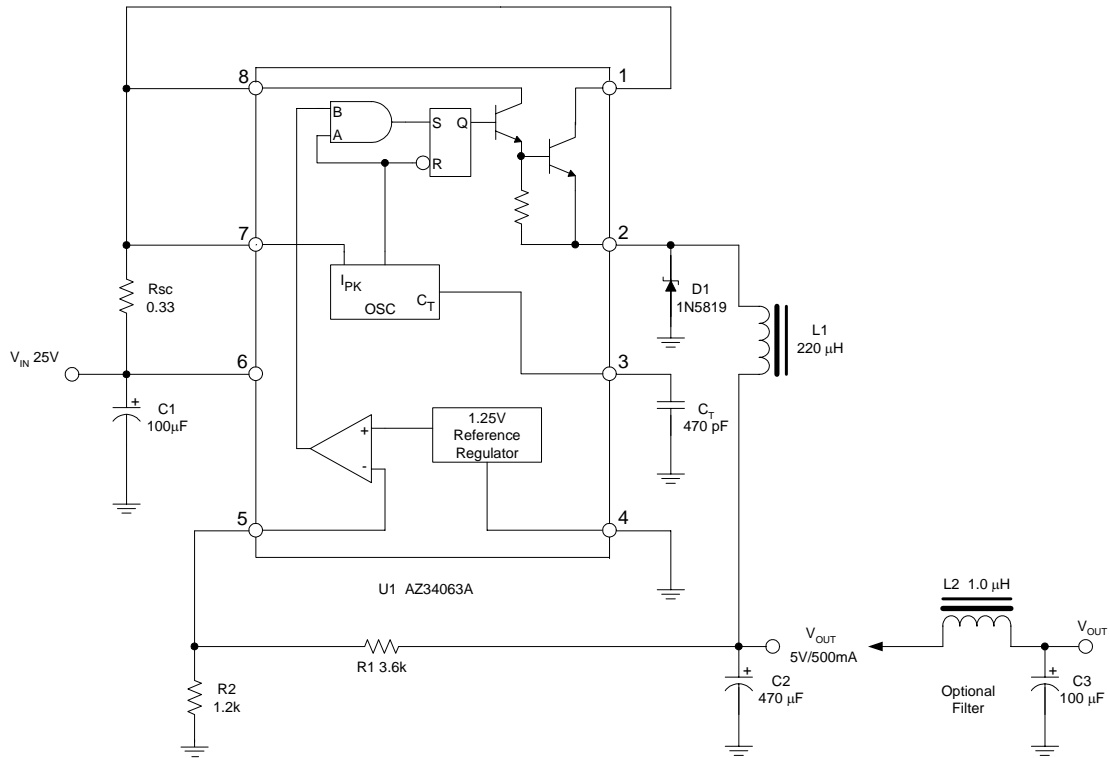


Figure 11. Step-Down converter (Note 6)

Note 6: This is a typical step-down converter configuration. The working process in the steady state is similar to step-up converter,  $V_{PIN5} = V_{OUT} * R2 / (R1 + R2) = 1.25 (V)$ , the output voltage can be decided by  $V_{OUT} = 1.25 * (R1 + R2) / R2 (V)$ .



**1.5A STEP-DOWN/STEP-UP/INVERTING DC-DC CONVERTER AZ34063A**

**Typical Applications (Continued)**

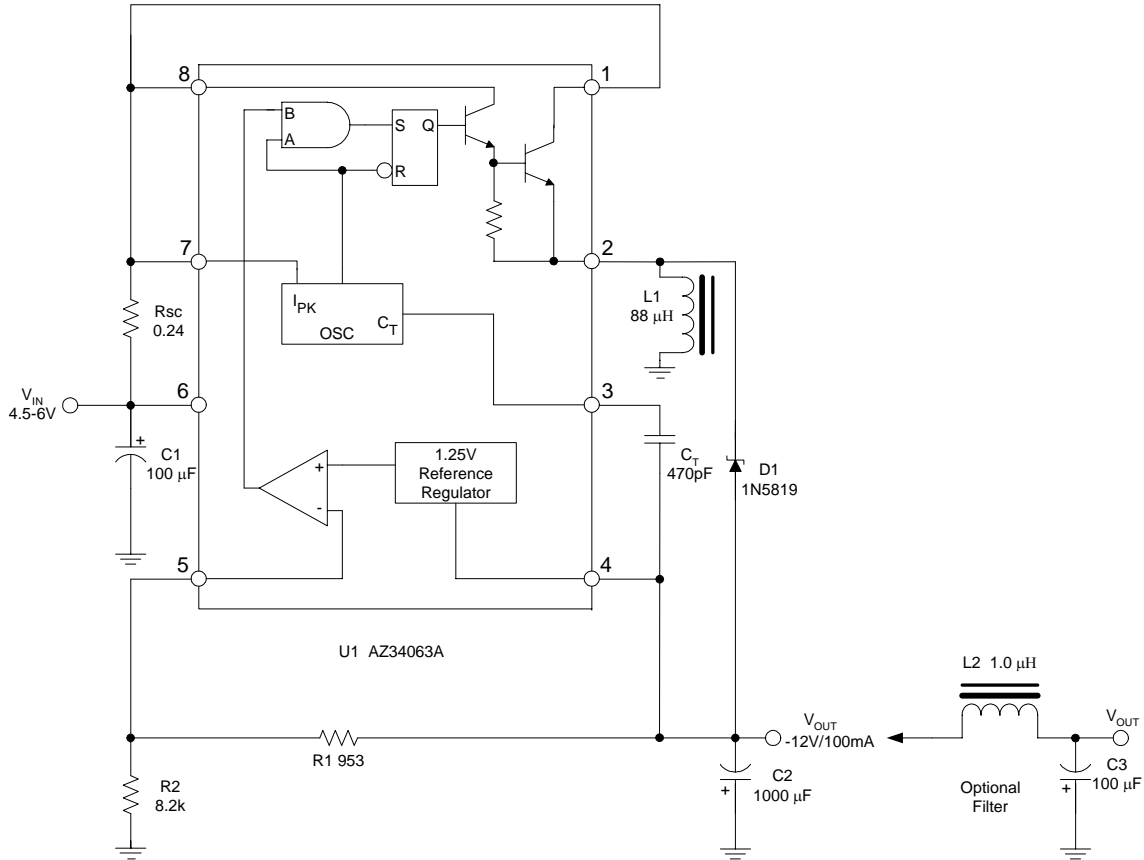


Figure 12. Voltage Inverting Converter (Note 7)

Note 7: This is a typical inverting converter configuration. The working process in the steady state is similar to step-up converter, the difference in this situation is that the voltage at the non-inverting pin of the comparator is equal to  $1.25V + V_{OUT}$ , then  $V_{PIN5} = V_{OUT} * R2 / (R1 + R2) = 1.25V + V_{OUT}$ , so the output voltage can be decided by  $V_{OUT} = -1.25 * (R1 + R2) / R1$  (V).

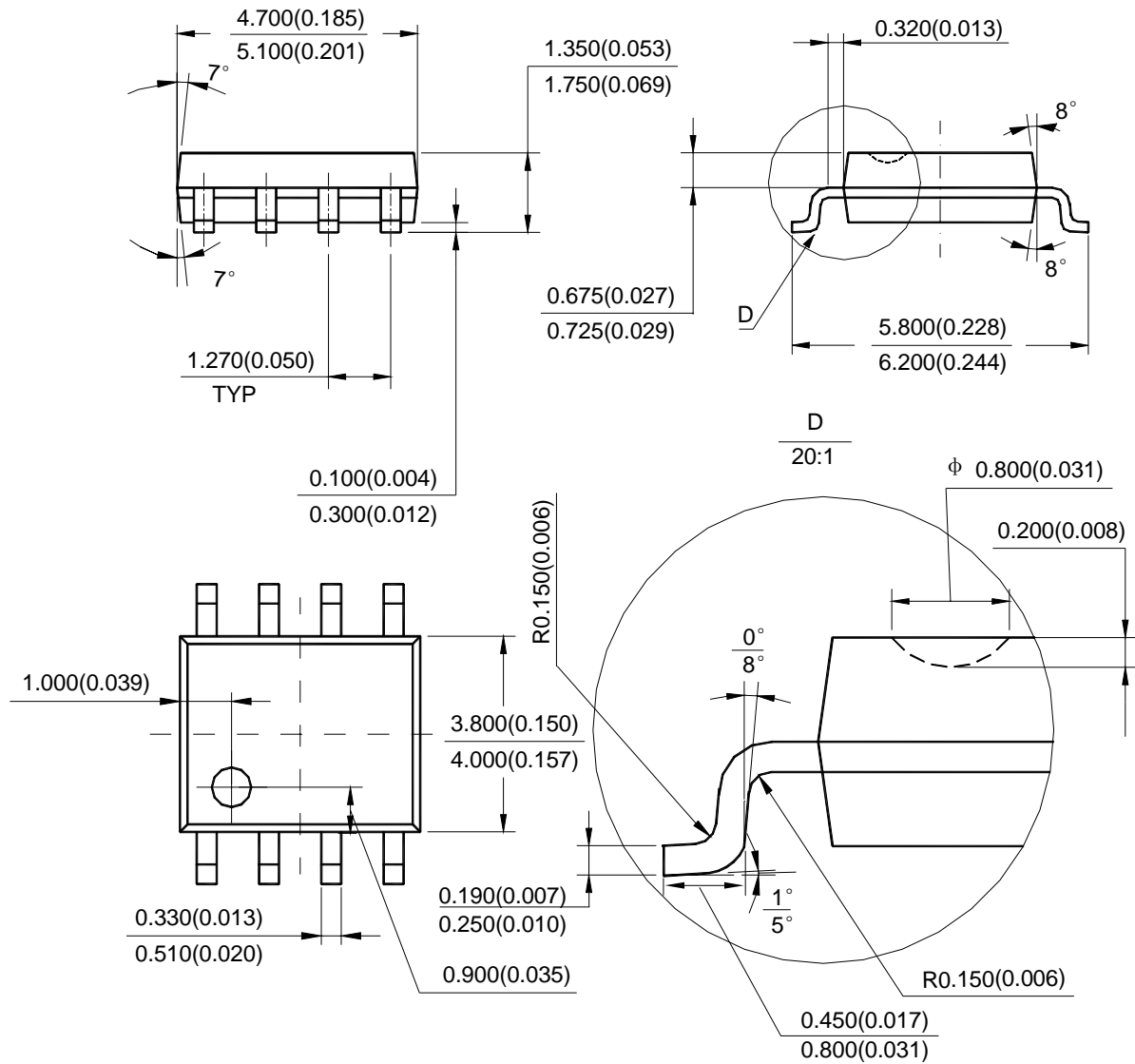


**1.5A STEP-DOWN/STEP-UP/INVERTING DC-DC CONVERTER      AZ34063A**

**Mechanical Dimensions**

**SOIC-8**

**Unit: mm(inch)**



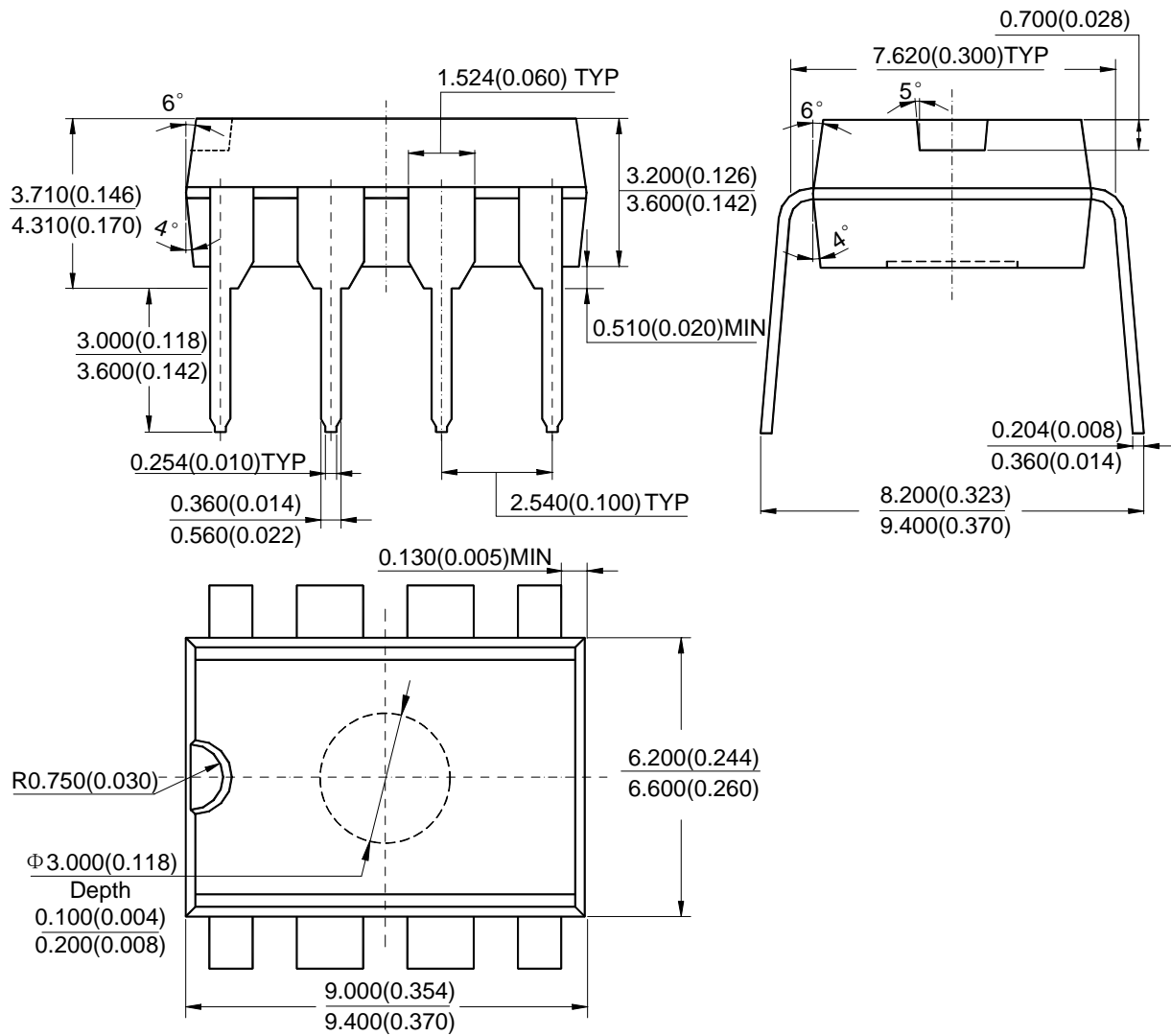


**1.5A STEP-DOWN/STEP-UP/INVERTING DC-DC CONVERTER      AZ34063A**

**Mechanical Dimensions (continued)**

**DIP-8**

**Unit: mm(inch)**





BCD Semiconductor Manufacturing Limited

<http://www.bcdsemi.com>

#### IMPORTANT NOTICE

BCD Semiconductor Manufacturing Limited reserves the right to make changes without further notice to any products or specifications herein. BCD Semiconductor Manufacturing Limited does not assume any responsibility for use of any its products for any particular purpose, nor does BCD Semiconductor Manufacturing Limited assume any liability arising out of the application or use of any its products or circuits. BCD Semiconductor Manufacturing Limited does not convey any license under its patent rights or other rights nor the rights of others.

---

#### MAIN SITE

**BCD Semiconductor Manufacturing Limited**  
- Wafer Fab  
**Shanghai SIM-BCD Semiconductor Manufacturing Limited**  
800, Yi Shan Road, Shanghai 200233, China  
Tel: +86-21-6485 1491, Fax: +86-21-5450 0008

**BCD Semiconductor Manufacturing Limited**  
- IC Design Group  
**Advanced Analog Circuits (Shanghai) Corporation**  
8F, Zone B, 900, Yi Shan Road, Shanghai 200233, China  
Tel: +86-21-6495 9539, Fax: +86-21-6485 9673

#### REGIONAL SALES OFFICE

**Shenzhen Office**  
**Shanghai SIM-BCD Semiconductor Manufacturing Co., Ltd. Shenzhen Office**  
**Advanced Analog Circuits (Shanghai) Corporation Shenzhen Office**  
Room E, 5F, Noble Center, No.1006, 3rd Fuzhong Road, Futian District, Shenzhen 518026, China  
Tel: +86-755-8826 7951, Fax: +86-755-8826 7865

**Taiwan Office**  
**BCD Semiconductor (Taiwan) Company Limited**  
4F, 298-1, Rui Guang Road, Nei-Hu District, Taipei,  
Taiwan  
Tel: +886-2-2656 2808, Fax: +886-2-2656 2806

**USA Office**  
**BCD Semiconductor Corporation**  
3170 De La Cruz Blvd., Suite 105,  
Santa Clara,  
CA 95054-2411, U.S.A

Компания «Океан Электроники» предлагает заключение долгосрочных отношений при поставках импортных электронных компонентов на взаимовыгодных условиях!

Наши преимущества:

- Поставка оригинальных импортных электронных компонентов напрямую с производств Америки, Европы и Азии, а так же с крупнейших складов мира;
- Широкая линейка поставок активных и пассивных импортных электронных компонентов (более 30 млн. наименований);
- Поставка сложных, дефицитных, либо снятых с производства позиций;
- Оперативные сроки поставки под заказ (от 5 рабочих дней);
- Экспресс доставка в любую точку России;
- Помощь Конструкторского Отдела и консультации квалифицированных инженеров;
- Техническая поддержка проекта, помощь в подборе аналогов, поставка прототипов;
- Поставка электронных компонентов под контролем ВП;
- Система менеджмента качества сертифицирована по Международному стандарту ISO 9001;
- При необходимости вся продукция военного и аэрокосмического назначения проходит испытания и сертификацию в лаборатории (по согласованию с заказчиком);
- Поставка специализированных компонентов военного и аэрокосмического уровня качества (Xilinx, Altera, Analog Devices, Intersil, Interpoint, Microsemi, Actel, Aeroflex, Peregrine, VPT, Syfer, Eurofarad, Texas Instruments, MS Kennedy, Miteq, Cobham, E2V, MA-COM, Hittite, Mini-Circuits, General Dynamics и др.);

Компания «Океан Электроники» является официальным дистрибьютором и эксклюзивным представителем в России одного из крупнейших производителей разъемов военного и аэрокосмического назначения «JONHON», а так же официальным дистрибьютором и эксклюзивным представителем в России производителя высокотехнологичных и надежных решений для передачи СВЧ сигналов «FORSTAR».



## JONHON

«JONHON» (основан в 1970 г.)

Разъемы специального, военного и аэрокосмического назначения:

(Применяются в военной, авиационной, аэрокосмической, морской, железнодорожной, горно- и нефтедобывающей отраслях промышленности)

«FORSTAR» (основан в 1998 г.)

ВЧ соединители, коаксиальные кабели, кабельные сборки и микроволновые компоненты:

(Применяются в телекоммуникациях гражданского и специального назначения, в средствах связи, РЛС, а так же военной, авиационной и аэрокосмической отраслях промышленности).



Телефон: 8 (812) 309-75-97 (многоканальный)

Факс: 8 (812) 320-03-32

Электронная почта: [ocean@oceanchips.ru](mailto:ocean@oceanchips.ru)

Web: <http://oceanchips.ru/>

Адрес: 198099, г. Санкт-Петербург, ул. Калинина, д. 2, корп. 4, лит. А