

ISL97701

Boost Regulator with Integrated Schottky and Input Disconnect Switch

FN6474  
Rev 1.00  
February 22, 2008

The ISL97701 represents a high efficiency boost converter with integrated boost FET, boost diode and input disconnect FET.

With an input voltage of 2.3V to 5.5V the ISL97701 has an output capability of up to 50mA at 18V using integrated 500mA switches. Efficiencies are up to 87%. The integrated protection FET is used to disconnect the boost inductor from the input supply whenever an output fault condition is detected, or when the device is disabled. This gives 0 output current in the disabled mode, compared to standard boost converters where current can still flow when the device is disabled.

The ISL97701 comes in the 10 Ld 3x3 DFN package and is specified for operation over the -40°C to +85°C temperature range.

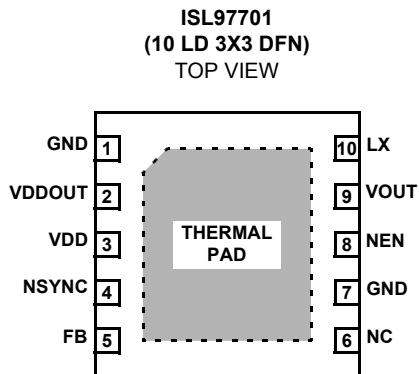
Ordering Information

PART NUMBER (Note)	PART MARKING	PACKAGE (Pb-free)	PKG. DWG. #
ISL97701IRZ	977 01IRZ	10 Ld 3x3 DFN	MDP0047
ISL97701IRZ-T7*	977 01IRZ	10 Ld 3x3 DFN	MDP0047
ISL97701IRZ-T13*	977 01IRZ	10 Ld 3x3 DFN	MDP0047

\*Please refer to TB347 for details on reel specifications.

NOTE: These Intersil Pb-free plastic packaged products employ special Pb-free material sets; molding compounds/die attach materials and 100% matte tin plate PLUS ANNEAL - e3 termination finish, which is RoHS compliant and compatible with both SnPb and Pb-free soldering operations. Intersil Pb-free products are MSL classified at Pb-free peak reflow temperatures that meet or exceed the Pb-free requirements of IPC/JEDEC J STD-020.

Pinout



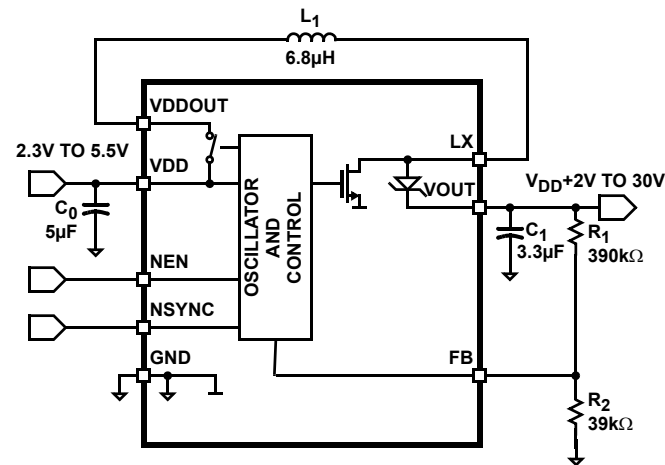
Features

- Up to 87% efficiency
- 2.3V to 5.5V input
- Up to 28V output
- 50mA at 18V
- Integrated boost Schottky diode
- Input voltage disconnect switch
- Synchronization input
- Chip enable
- 10 Ld 3x3 DFN package
- Pb-free (RoHS compliant)

Applications

- OLED display power
- LED display power
- Adjustable power supplies

Typical Application Diagram



NOTE:  $V_{OUT} = (390k + 39k)/39k * 1.15V = 12.65V$

**Block Diagram**

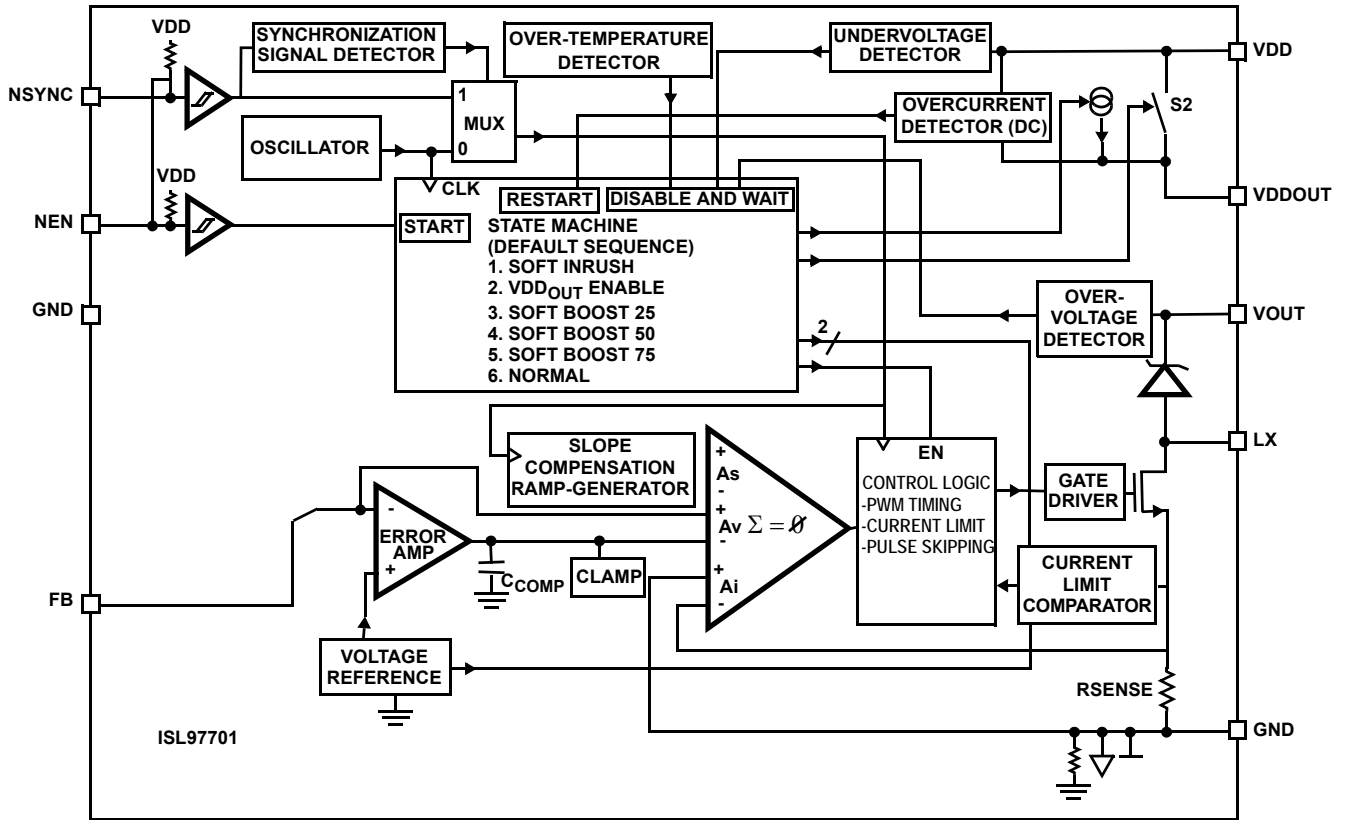


FIGURE 1. ISL97701 BLOCK DIAGRAM

**Absolute Maximum Ratings** ( $T_A = +25^\circ\text{C}$ )

VDD to GND	-0.3V to 6V
V <sub>OUT</sub> to GND	-0.3V to 31V
LX to GND	V <sub>OUT</sub> + 1V
VDDOUT, NSYNC, FB, NEN to GND	-0.3V to VDD + 0.3V
Continuous Current in VDD, GND, VDDOUT, LX	650mA
Continuous Current in NSYNC, FB, NEN	10mA

**Thermal Information**

Thermal Resistance (Typical, Notes 1, 2)	$\theta_{JA}$ ( $^\circ\text{C}/\text{W}$ )	$\theta_{JC}$ ( $^\circ\text{C}/\text{W}$ )
10 Ld 3x3 DFN Package	48	7
Storage Temperature	-65 $^\circ\text{C}$ to +150 $^\circ\text{C}$	
Ambient Operating Temperature ( $T_A$ )	-40 $^\circ\text{C}$ to +85 $^\circ\text{C}$	
Operating Junction Temperature ( $T_J$ )	+125 $^\circ\text{C}$	
Maximum Junction Temperature	+130 $^\circ\text{C}$	
Pb-free reflow profile	see link below	
	<a href="http://www.intersil.com/pbfree/Pb-FreeReflow.asp">http://www.intersil.com/pbfree/Pb-FreeReflow.asp</a>	

**CAUTION:** Do not operate at or near the maximum ratings listed for extended periods of time. Exposure to such conditions may adversely impact product reliability and result in failures not covered by warranty.

**NOTES:**

- $\theta_{JA}$  is measured in free air with the component mounted on a high effective thermal conductivity test board with "direct attach" features. See Tech Brief TB379.
- For  $\theta_{JC}$ , the "case temp" location is the center of the exposed metal pad on the package underside.

**Electrical Specifications**  $V_{DD} = 3.6\text{V}$ ,  $GND = NEN = 0\text{V}$ ,  $NSYNC = V_{DD}$ ,  $R_1 = 390\text{k}\Omega$ ,  $R_2 = 39\text{k}\Omega$ ,  $L = 10\mu\text{H}$ ,  $T_A = -40^\circ\text{C}$  to  $+85^\circ\text{C}$  unless otherwise stated.

PARAMETER	DESCRIPTION	CONDITION	MIN	TYP	MAX	UNIT
<b>SUPPLY</b>						
V <sub>DD</sub>	Supply Operating Voltage Range		2.3		5.5	V
I <sub>DIS</sub>	Supply Current when Disabled	NEN = V <sub>DD</sub>		0.1	3	$\mu\text{A}$
<b>LOGIC INPUTS – NEN, NSYNC</b>						
R <sub>UP</sub>	Pull-up Resistor	Enabled, Input at GND	150	250	350	k $\Omega$
I <sub>IL</sub>	Leakage Current when Disabled	Disabled, Input at GND	-1		1	$\mu\text{A}$
V <sub>HI</sub>	Logic High Threshold		1.8			V
V <sub>LO</sub>	Logic Low Threshold				0.7	V
<b>POWER-ON RESET – VDD</b>						
V <sub>RES_ON</sub>	Power-On Reset Threshold	V <sub>DD</sub> rising		2.2	2.3	V
V <sub>RES_OFF</sub>	Power-Off Threshold	V <sub>DD</sub> falling	1.9	2		V
<b>LX OUTPUT DRIVER</b>						
f <sub>OSC</sub>	LX Switching Frequency with Internal Oscillator		0.9	1	1.1	MHz
f <sub>SYNC</sub>	LX Switching Frequency when Externally Synchronized at NSYNC			f (NSYNC)		
t <sub>ON-MIN</sub>	Minimum On-Time	FB = 0V, I(LX) > I <sub>lim</sub> (LX)		60		ns
t <sub>OFF-MIN</sub>	Minimum Off-time ( $\geq$ Maximum Duty Cycle)	FB = 0V, I(LX) < I <sub>lim</sub> (LX)		60		ns
r <sub>ON</sub>	LX ON-Resistance	I(LX) = 100mA		0.4		$\Omega$
I <sub>LEAK</sub>	LX Leakage Current	NEN = V <sub>DD</sub> , V(LX) = 30V		1	5	$\mu\text{A}$
I <sub>PEAK</sub>	LX Peak Current Limit	t > 8.32ms (end of soft-start)		1200		mA
<b>SCHOTTKY DIODE – LX, V<sub>OUT</sub></b>						
V <sub>DIODE</sub>	Forward Voltage from LX to V <sub>OUT</sub>	I = 10mA, T <sub>A</sub> = +25 $^\circ\text{C}$	0.4	0.5	0.6	V
		I = 10mA, T <sub>A</sub> = -40 $^\circ\text{C}$ to +85 $^\circ\text{C}$	0.3	0.5	0.7	V

**Electrical Specifications**  $V_{DD} = 3.6V$ ,  $GND = NEN = 0V$ ,  $NSYNC = V_{DD}$ ,  $R_1 = 390k\Omega$ ,  $R_2 = 39k\Omega$ ,  $L = 10\mu H$ ,  $T_A = -40^\circ C$  to  $+85^\circ C$  unless otherwise stated. (Continued)

PARAMETER	DESCRIPTION	CONDITION	MIN	TYP	MAX	UNIT
<b>FEEDBACK INPUTS</b>						
$V_{ref_{FB}}$	Input Reference Voltage on FB	$T_A = +25^\circ C$	1.13	1.15	1.17	V
		$T_A = -40^\circ C$ to $+85^\circ C$	1.12	1.15	1.18	V
$I_{FB}$	Input Current in FB	FB = 1.3V	-0.2		0.2	$\mu A$
$R_{FB}$	FB Pull-Down Switch Resistance	$I_{FB} = 10mA$		15	25	$\Omega$
<b>SYNCHRONIZATION INPUT – NSYNC</b>						
$f_{NSYNC}$	External Sync Frequency Range		600		1400	kHz
$t_{d_{NSYNC}}$	NSYNC Falling Edge to LX Falling Edge Delay	$f_{NSYNC} = 600kHz$		80	100	ns
<b>OVERVOLTAGE DETECTOR - <math>V_{OUT}</math></b>						
$V_{OUT}$	Overvoltage Threshold	FB = GND	31	35		V
<b>OVERCURRENT DETECTOR</b>						
$I_{OCTVDDOUT}$	Overcurrent Threshold	$t > 2.048ms$ , DC current		800		mA
<b>OVER-TEMPERATURE DETECTOR</b>						
$t_{OFF}$	Shut-Down Temperature Threshold	T rising		135		$^\circ C$
$t_{ON}$	Turn-On Temperature Threshold	T falling		100		$^\circ C$
<b>FAULT SWITCH – VDD, VDDOUT</b>						
$r_{ONFS}$	ON-Resistance from VDD to VDDOUT	$I_{OUT} = 50mA$ , $t > 2.048ms$		0.2		$\Omega$
$I_{leak_{VDDOUT}}$	Leakage Current	$V_{DDOUT} = 0V$		0.01	3	$\mu A$
$I_{SS_{VDDOUT}}$	Soft Inrush Current Source at VDDOUT	$V_{DD} - V_{DDOUT} = 0.5V$ , $t_{ON} < 2.048ms$		50		mA
<b>REGULATION</b>						
ACC	Output Voltage Accuracy, Assuming Resistor Divider Tolerances of 0.1% or Better	$I_{OUT} = 10mA$ , $T_A = +25^\circ C$	-1.5		1.5	%
		$I_{OUT} = 10mA$ , $T_A = -40^\circ C$ to $+85^\circ C$	-2.5		2.5	%
$\Delta V_{OUT}/\Delta I_{OUT}$	Load Regulation	$I_{OUT} = 0mA$ to $50mA$		0.05		%
$\Delta V_{OUT}/\Delta V_{DD}$	Line Regulation	$V_{DD} = 3.6V$ to $2.6V$ , $I_{OUT} = 30mA$		0.1		%/V

Typical Performance Curves

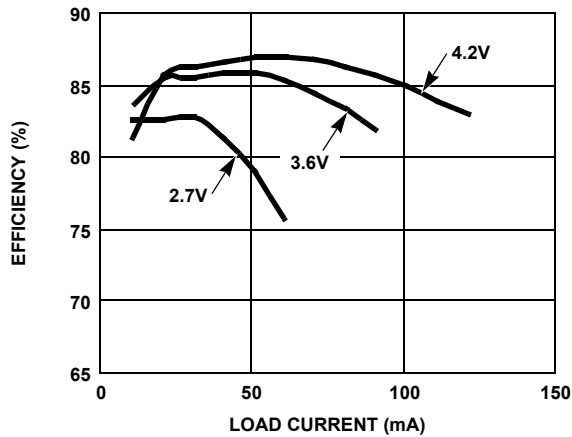


FIGURE 2. EFFICIENCY vs LOAD CURRENT ( $V_{OUT} = 18.3V$ )  
 $L = 10\mu H$  (CDRH4D28C-100NC)  $C = 6.6\mu F$

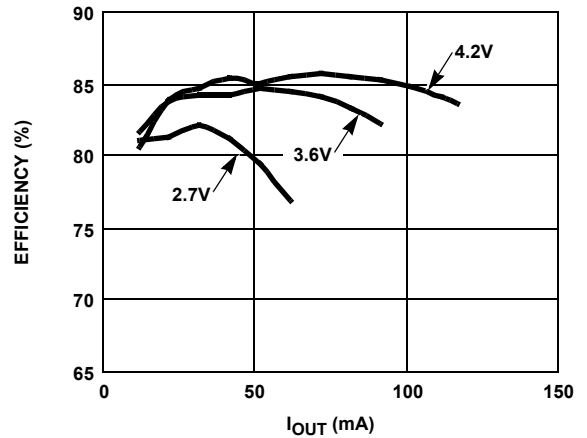


FIGURE 3. EFFICIENCY vs  $I_{OUT}$  ( $V_{OUT} = 18.3V$ )  
 $L = 6.8\mu H$  (TDK RLF7030)  $C = 6.6\mu F$

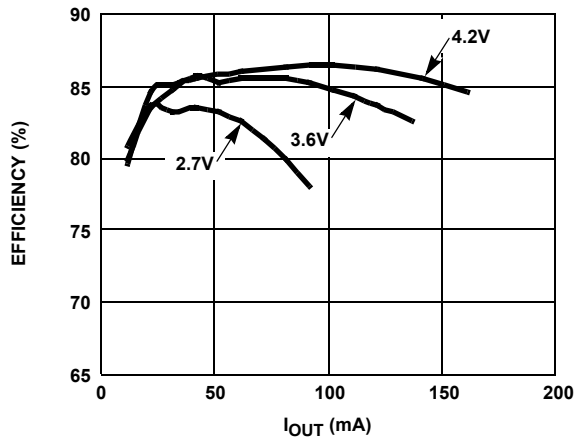


FIGURE 4. EFFICIENCY vs  $I_{OUT}$  ( $V_{OUT} = 12.6V$ )  
 $L = 6.8\mu H$  (TDK RLF7030)  $C = 6.6\mu F$

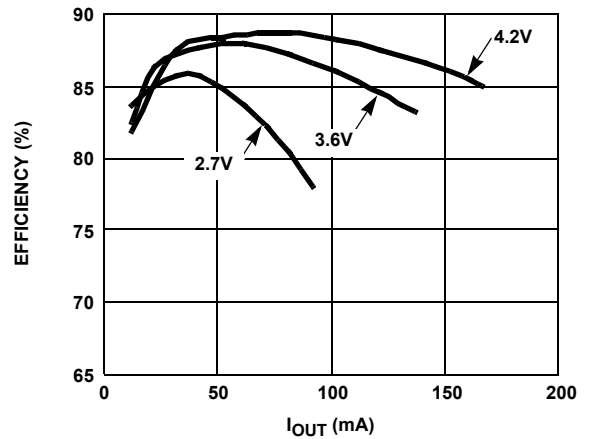


FIGURE 5. EFFICIENCY vs  $I_{OUT}$  ( $V_{OUT} = 12.7V$ )  
 $L = 10\mu H$  (CDRH4D28C-100NC)  $C = 6.6\mu F$

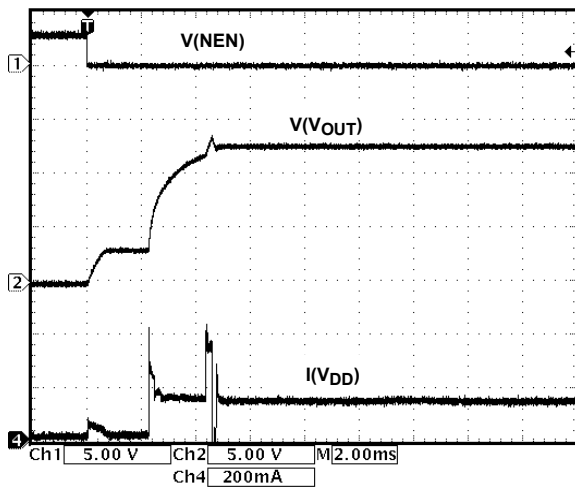


FIGURE 6. START-UP TO 12V ( $V_{DD} = 3.6V$ ,  $R_L = 360\Omega$ )

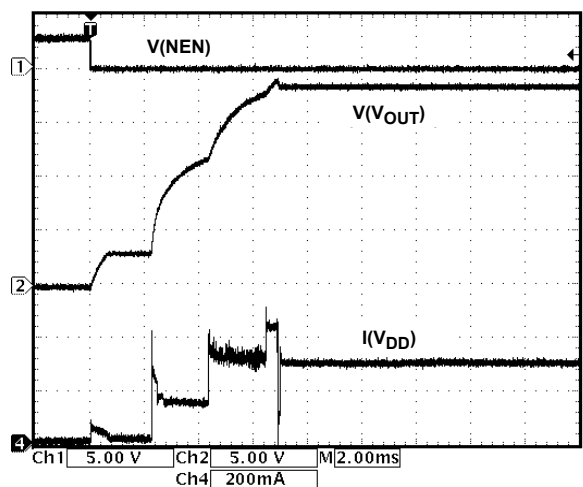


FIGURE 7. START-UP TO 18V ( $V_{DD} = 3.6V$ ,  $R_L = 360\Omega$ )

Typical Performance Curves (Continued)

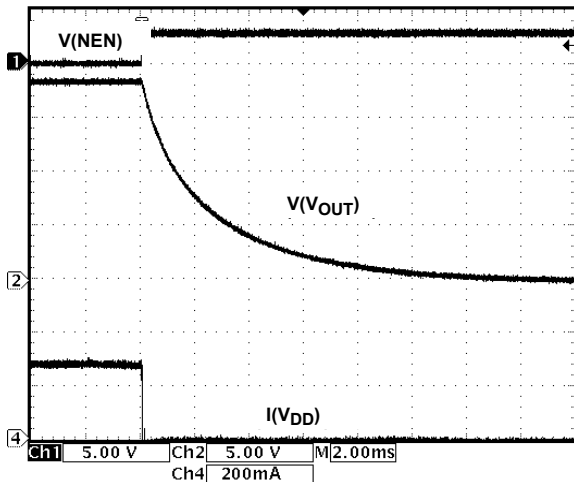


FIGURE 8. SHUTDOWN ( $V_{DD} = 3.6V$ ,  $R_L = 360\Omega$ )

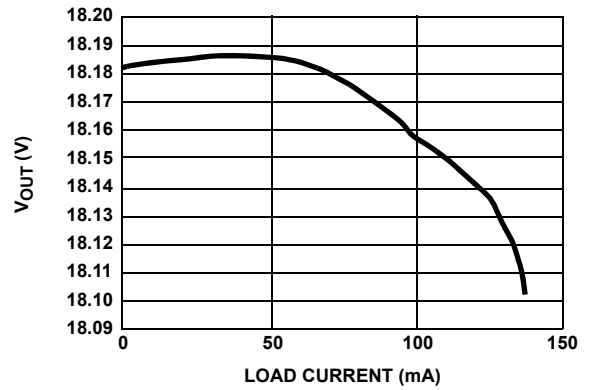


FIGURE 9. LOAD REGULATION ( $V_{IN} = 3.6V$ )

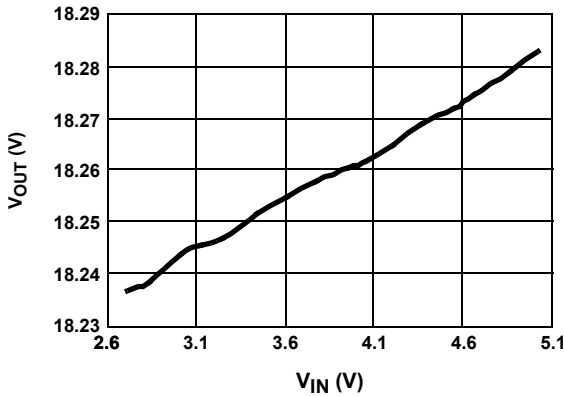


FIGURE 10. LINE REGULATION ( $I_{OUT} = 30mA$ )

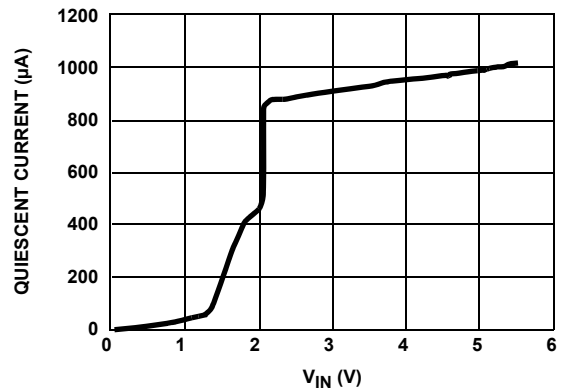
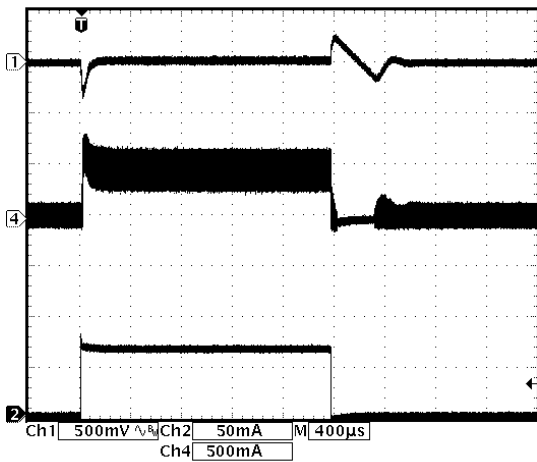


FIGURE 11. QUIESCENT CURRENT vs  $V_{IN}$



(CH1 = V<sub>OUT</sub>; CH4 = I<sub>IL</sub>; CH2 = I<sub>OUT</sub>)

FIGURE 12. TRANSIENT RESPONSE ( $V_{IN} = 3.3V$ ;  $V_{OUT} = 18.3V$ ; STEP LOAD CURRENT FROM 2.6mA TO 70mA)

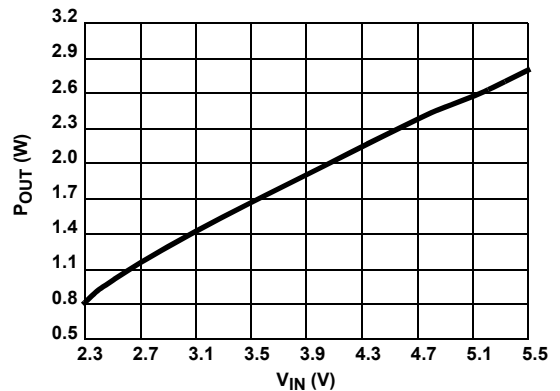


FIGURE 13. RECOMMENDED MAXIMUM OUTPUT POWER vs INPUT VOLTAGE

## Pin Descriptions

PIN NUMBER	PIN NAME	PIN FUNCTION
1	GND	Ground
2	VDDOUT	Protection Switch Output
3	VDD	Supply Input
4	NSYNC	Synchronization Input (Falling Edge)
5	FB	Feedback Input
6	NC	Do Not Connect
7	GND	Ground
8	NEN	Enable Input (Active Low)
9	V <sub>OUT</sub>	Boost Output Voltage
10	LX	Boost FET

## Function Overview

The ISL97701 is a high frequency, high efficiency boost regulator which operates in constant frequency PWM mode. The boost converter generates a stable, higher output voltage from a variable, low voltage input source (e.g. Li-ion battery). The output voltage level is defined from the feedback resistor network in Equation 1.

$$V_{OUT} = V_{refFB} \cdot (R_1 + R_2) / R_2 \quad (\text{EQ. 1})$$

The switching frequency is either generated from the fixed 1MHz internal oscillator or provided externally at the synchronization pin in the range from 600kHz to 1.4MHz. The compensation network and soft-start functions are built in with fixed parameters without any need for further external components.

To stop battery discharge into the output load when disabled, the inductor is disconnected from the input supply with a low ON-resistance power switch.

Built-in fault protection monitors inductor current and output voltage as well as junction temperature in order to interrupt the high current circuit path through the inductor and diode in the event of a load failure.

Low logic input thresholds allow the ISL97701 to interface directly to microcontrollers with lower supply voltage. Alternatively, the internal pull-up resistors on all logic inputs provide level shifting when driven from open collector outputs.

## Description of Operation

### Enable Pin (Active Low) - NEN

If NEN is high, the ISL97701 shuts down all its internal functions and deactivates its I/So. Only the internal pull-up resistor at NEN remains active. If NEN is high, the input disconnect switch between VDD and VDDOUT interrupts the circuit path from the input voltage VDD through inductor and diode to the output load at V<sub>OUT</sub>. If shutdown, the total supply current in VDD is typically less than 0.1µA.

When NEN is driven low the ISL97701 begins with the start-up sequence.

### Start-Up Sequence

After pin NEN is pulled low or a restart is triggered from Fault Control during operation, the ISL97701 goes through a start-up sequence with the following six states: *Soft Inrush* -> *VDDOUT Enable* -> *Soft Boost 25* -> *Soft Boost 50* -> *Soft Boost 75* -> *Normal*.

If the sequence has completed, the ISL97701 stays in the "Normal" state until NEN is high again or any fault is detected.

### SOFT INRUSH: STATE DURATION ~2.048ms

The switch at VDDOUT is configured as current source and provides a limited current through the inductor to pre-charge the capacitor at V<sub>OUT</sub>.

### VDDOUT ENABLE: STATE DURATION ~128ms

The switch at VDDOUT is fully enabled and connects the inductor to VDD with a low ON-resistance.

### SOFT BOOST 25 -> 50 -> 75: STATE DURATION 3x ~2.048ms

The boost regulator begins to switch at LX.

The LX current limit increases in three steps representing 25%, 50% and 75% of its final value.

### NORMAL

If no fault was detected Normal state is entered ~8.256ms after NEN is pulled low.

The LX current limit steps up to 100%.

In all states Fault Control can force the sequence to restart or even to shutdown (see Table 1).

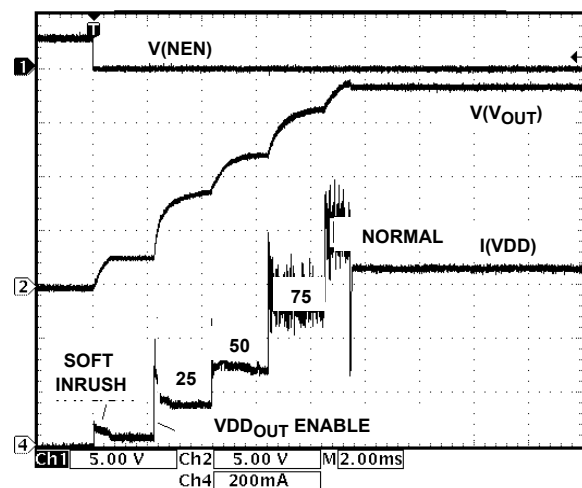


FIGURE 14. FAULT CONTROL SEQUENCE

### Fault Control

The input voltage at VDD, current in the VDD<sub>OUT</sub> switch, voltage at V<sub>OUT</sub> and junction temperature T<sub>J</sub> are continuously monitored and can either restart the start-up sequence or in

some cases disable the ISL97701 boost function as long as the fault is present.

**TABLE 1. FAULT PROTECTION**

FAULT DESCRIPTION	FAULT CONDITION	ISL97701 FAULT REACTION
Undervoltage at VDD	$V(V_{DD}) < V(V_{DD})_{off}$	Disables I/Os and waits until $V(V_{DD})$ reaches $V(V_{DD})_{on}$ to begin with the start-up sequence
Overcurrent drawn from VDD <sub>OUT</sub>	$I(V_{DD_{OUT}}) > I_t(V_{DD_{OUT}})_{err}$	Disables VDD <sub>OUT</sub> switch and LX driver and immediately restarts the start-up sequence
Overvoltage at V <sub>OUT</sub>	$V(V_{OUT}) > V_t(V_{OUT})_{err}$	Disables VDD <sub>OUT</sub> switch and LX driver and waits until output voltage $V(V_{OUT})$ drops to $V_t(V_{OUT})$ to restart the start-up sequence
Over-Temperature on chip	$T_j > T_{off}$	Disables VDD <sub>OUT</sub> switch and LX driver and waits until junction temp drops to “Ton” to restart the start-up sequence

**Maximum Duty Cycle – LX**

The maximum duty cycle D<sub>max</sub>, at which the power FET can operate defines the upper limit of the regulator output to input voltage ratio according to Equation 2:

$$\frac{V_{OUT}}{V_{IN}} = \frac{1}{1 - D_{MAX}} \quad (EQ. 2)$$

In the ISL97701, D<sub>MAX</sub> is defined from the minimum off-time t<sub>OFF(LX)min</sub> and the switching frequency.

If NSYNC is tied to VDD the internal oscillator defines D<sub>MAX</sub> according to Equation 3:

$$D_{MAX}(f_{OSC}) = 1 - t_{OFF(LX)min} \cdot f_{OSC} \quad (EQ. 3)$$

With external synchronization at pin NSYNC:

$$D_{MAX}(NSYNC) = 1 - t_{OFF(LX)min} \cdot f(NSYNC) \quad (EQ. 4)$$

The duty cycle at LX can be 0% (pulse skipping), if the output voltage exceeds the target voltage set with the feedback resistors.

**Internal Schottky Diode – LX, V<sub>OUT</sub>**

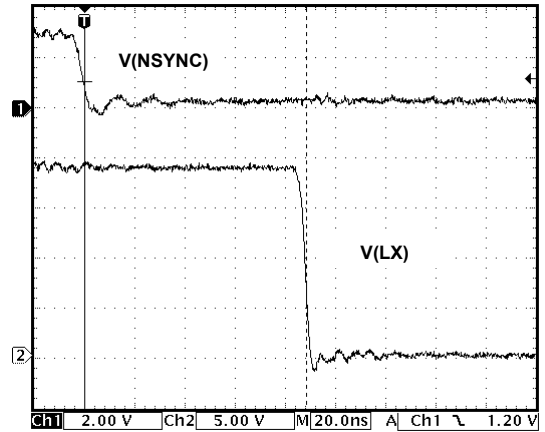
The inductor node LX internally connects to the power FET and to the anode of the integrated power Schottky diode. The cathode of the diode is pin V<sub>OUT</sub>. An overvoltage detector at V<sub>OUT</sub> continuously monitors the cathode voltage and immediately disables the boost regulator if the voltage exceeds the maximum allowable voltage.

**External Synchronization Pin - NSYNC**

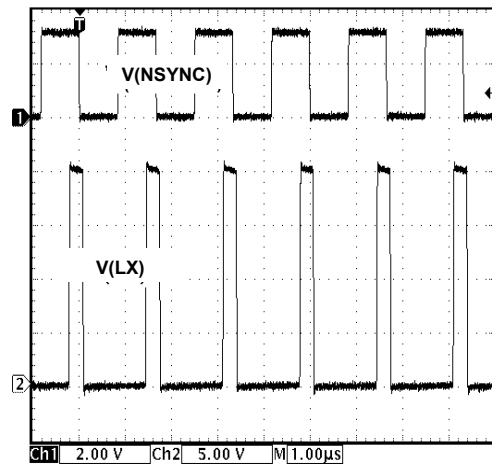
Pin NSYNC can be used to synchronize the LX output pin with an external clock signal in the range from 600kHz to 1.4MHz.

A frequency detector monitoring NSYNC enables external synchronization if f(NSYNC) is higher than ~300kHz. If the pin

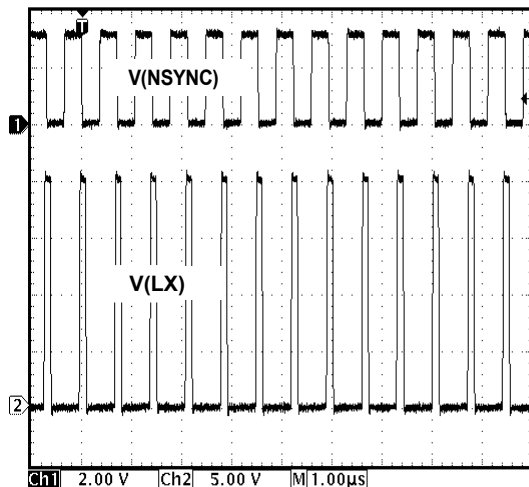
is, for example, static high, the internal oscillator defines the LX output frequency and phase. When externally synchronized, all falling edges at LX are timed from the falling edge of the clock signal applied at NSYNC. The timing of the rising edge at LX is defined by the boost controller.



**FIGURE 15. NSYNC TO LX SYNCHRONIZATION DELAY**



**FIGURE 16. LX SYNCHRONIZATION WITH f(SYNC) = 600kHz**



**FIGURE 17. LX SYNCHRONIZATION WITH f(SYNC) = 1.4MHz**



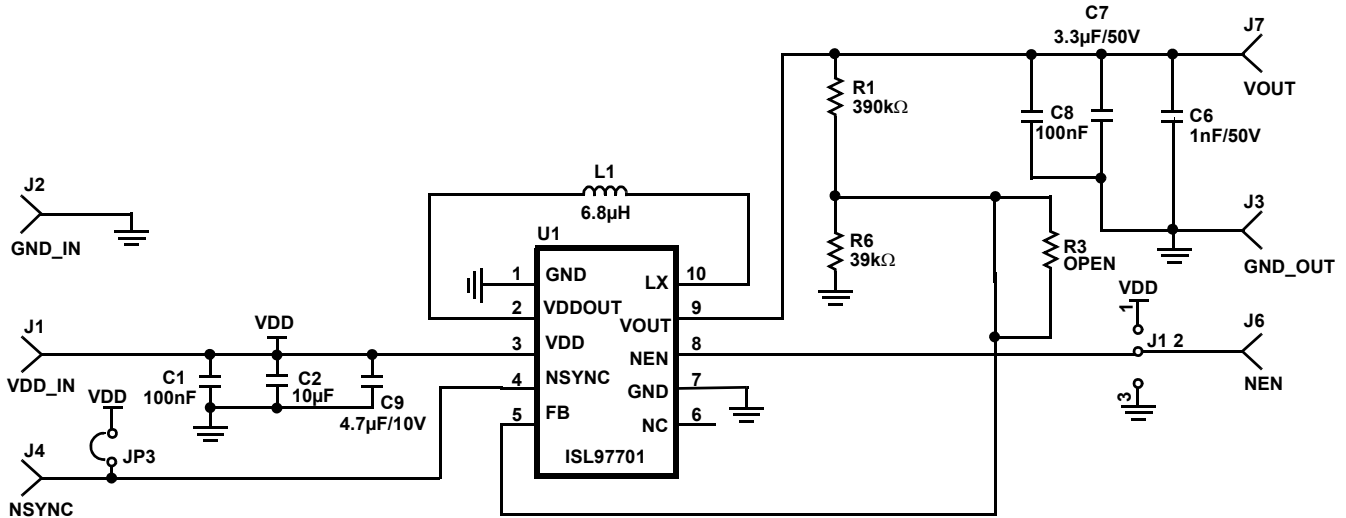


FIGURE 18. ISL97701 APPLICATION BOARD

**Typical Application**

Typical applications are passive- or active-matrix organic light emitting diode displays (PMOLED, AMOLED) in handheld devices. Applications with low power or screen saver mode is directly supported.

**Components Selection**

The input capacitance is normally 10µf~15µF and the output capacitor is 3.3µf to 6.6µF. X5R or X7R type of ceramic capacitor with correct voltage rating is recommended. The output capacitor value will affect the output voltage ripple. The higher the value of the output capacitor, the lower the ripple of the output voltage.

When choosing an inductor, make sure the inductor can handle the average and peak currents given by Equations 5, 6 and 7 (80% efficiency assumed):

$$I_{LAVG} = \frac{I_{OUT} \cdot V_{OUT}}{0.8 \cdot V_{IN}} \quad (EQ. 5)$$

$$I_{LPK} = I_{LAVG} + \frac{1}{2} \cdot \Delta I_L \quad (EQ. 6)$$

$$\Delta I_L = \frac{V_{IN} \cdot (V_{OUT} - V_{IN})}{L \cdot V_{OUT} \cdot f_{OSC}} \quad (EQ. 7)$$

Where:

- ΔI<sub>L</sub> is the peak-to-peak inductor current ripple in Amperes
- L is the inductance in H
- f<sub>OSC</sub> is the switching frequency, typically 1.0MHz

Optimal combinations of the boost inductor L and the output capacitor C<sub>OUT</sub> are listed in Table 2:

TABLE 2. OPTIMAL COMBINATION OF BOOST INDUCTOR L AND OUTPUT CAPACITOR C<sub>OUT</sub>

INDUCTOR (µH)	CAPACITOR (µF)	
	MIN	MAX
4.7	2.2	10
6.8	3.3	10
10	4.7	10
15	6.8	10

Recommended inductor and ceramic capacitor manufacturers are listed in Table 3:

TABLE 3. RECOMMENDED INDUCTOR AND CERAMIC CAPACITOR MANUFACTURERS

INDUCTOR		CERAMIC CAPACITOR	
Sumida:	<a href="http://www.sumida.com">www.sumida.com</a>	Taiyo Yuden:	<a href="http://www.t-yuden.com">www.t-yuden.com</a>
TDK:	<a href="http://www.tdk.co.jp">www.tdk.co.jp</a>	AVX:	<a href="http://www.avxcorp.com">www.avxcorp.com</a>
Toko:	<a href="http://www.tokoam.com">www.tokoam.com</a>	Murata:	<a href="http://www.murata.com">www.murata.com</a>

**PCB Layout Considerations**

The layout is very important for the converter to function properly. To ensure the high pulse current in the power ground does not interfere with the sensitive feedback signals, the current loops (V<sub>IN</sub>-L1-LX-GND, and V<sub>IN</sub>-L1-V<sub>OUT</sub>-C<sub>OUT</sub>-GND) should be as short as possible. For the DFN package, there is no separated GND. All return GNDs should be connected in GND pin but with no sharing branch.

The heat of the IC is mainly dissipated through the thermal pad. Maximizing the copper area connected to the thermal pad is preferable. In addition, a solid ground plane is helpful for the EMI performance.

**© Copyright Intersil Americas LLC 2007-2008. All Rights Reserved.  
All trademarks and registered trademarks are the property of their respective owners.**

For additional products, see [www.intersil.com/en/products.html](http://www.intersil.com/en/products.html)

---

Intersil products are manufactured, assembled and tested utilizing ISO9001 quality systems as noted in the quality certifications found at [www.intersil.com/en/support/qualandreliability.html](http://www.intersil.com/en/support/qualandreliability.html)

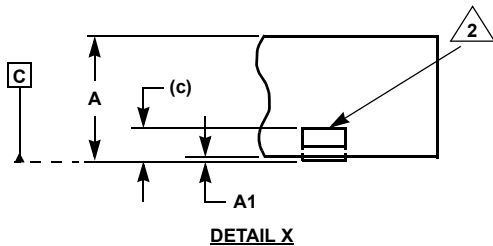
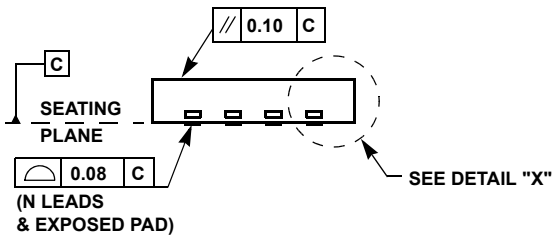
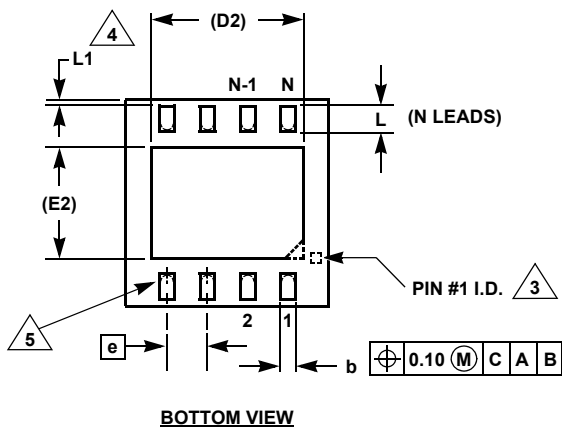
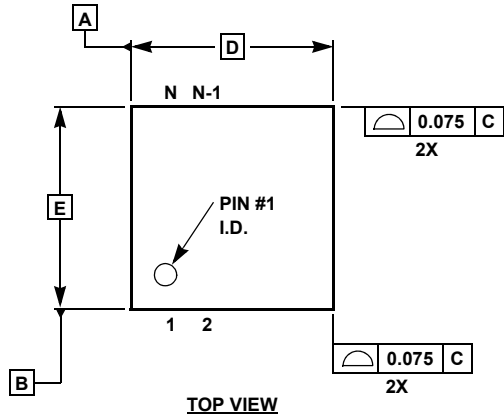
---

*Intersil products are sold by description only. Intersil may modify the circuit design and/or specifications of products at any time without notice, provided that such modification does not, in Intersil's sole judgment, affect the form, fit or function of the product. Accordingly, the reader is cautioned to verify that datasheets are current before placing orders. Information furnished by Intersil is believed to be accurate and reliable. However, no responsibility is assumed by Intersil or its subsidiaries for its use; nor for any infringements of patents or other rights of third parties which may result from its use. No license is granted by implication or otherwise under any patent or patent rights of Intersil or its subsidiaries.*

---

For information regarding Intersil Corporation and its products, see [www.intersil.com](http://www.intersil.com)

**Dual Flat No-Lead Package Family (DFN)**



**MDP0047**

DUAL FLAT NO-LEAD PACKAGE FAMILY (JEDEC REG: MO-229)

SYMBOL	MILLIMETERS		TOLERANCE
	DFN8	DFN10	
A	0.85	0.90	±0.10
A1	0.02	0.02	+0.03/-0.02
b	0.30	0.25	±0.05
c	0.20	0.20	Reference
D	4.00	3.00	Basic
D2	3.00	2.25	Reference
E	4.00	3.00	Basic
E2	2.20	1.50	Reference
e	0.80	0.50	Basic
L	0.50	0.50	±0.10
L1	0.10	0	Maximum

Rev. 2 2/07

**NOTES:**

1. Dimensioning and tolerancing per ASME Y14.5M-1994.
2. Exposed lead at side of package is a non-functional feature.
3. Bottom-side pin #1 I.D. may be a diepad chamfer, an extended tiebar tab, or a small square as shown.
4. Exposed leads may extend to the edge of the package or be pulled back. See dimension "L1".
5. Inward end of lead may be square or circular in shape with radius (b/2) as shown.
6. N is the total number of leads on the device.

Компания «Океан Электроники» предлагает заключение долгосрочных отношений при поставках импортных электронных компонентов на взаимовыгодных условиях!

Наши преимущества:

- Поставка оригинальных импортных электронных компонентов напрямую с производств Америки, Европы и Азии, а так же с крупнейших складов мира;
- Широкая линейка поставок активных и пассивных импортных электронных компонентов (более 30 млн. наименований);
- Поставка сложных, дефицитных, либо снятых с производства позиций;
- Оперативные сроки поставки под заказ (от 5 рабочих дней);
- Экспресс доставка в любую точку России;
- Помощь Конструкторского Отдела и консультации квалифицированных инженеров;
- Техническая поддержка проекта, помощь в подборе аналогов, поставка прототипов;
- Поставка электронных компонентов под контролем ВП;
- Система менеджмента качества сертифицирована по Международному стандарту ISO 9001;
- При необходимости вся продукция военного и аэрокосмического назначения проходит испытания и сертификацию в лаборатории (по согласованию с заказчиком);
- Поставка специализированных компонентов военного и аэрокосмического уровня качества (Xilinx, Altera, Analog Devices, Intersil, Interpoint, Microsemi, Actel, Aeroflex, Peregrine, VPT, Syfer, Eurofarad, Texas Instruments, MS Kennedy, Miteq, Cobham, E2V, MA-COM, Hittite, Mini-Circuits, General Dynamics и др.);

Компания «Океан Электроники» является официальным дистрибьютором и эксклюзивным представителем в России одного из крупнейших производителей разъемов военного и аэрокосмического назначения «JONHON», а так же официальным дистрибьютором и эксклюзивным представителем в России производителя высокотехнологичных и надежных решений для передачи СВЧ сигналов «FORSTAR».



## JONHON

«JONHON» (основан в 1970 г.)

Разъемы специального, военного и аэрокосмического назначения:

(Применяются в военной, авиационной, аэрокосмической, морской, железнодорожной, горно- и нефтедобывающей отраслях промышленности)

«FORSTAR» (основан в 1998 г.)

ВЧ соединители, коаксиальные кабели, кабельные сборки и микроволновые компоненты:

(Применяются в телекоммуникациях гражданского и специального назначения, в средствах связи, РЛС, а так же военной, авиационной и аэрокосмической отраслях промышленности).



Телефон: 8 (812) 309-75-97 (многоканальный)

Факс: 8 (812) 320-03-32

Электронная почта: [ocean@oceanchips.ru](mailto:ocean@oceanchips.ru)

Web: <http://oceanchips.ru/>

Адрес: 198099, г. Санкт-Петербург, ул. Калинина, д. 2, корп. 4, лит. А