

BAND LOCK ADAPTOR



This is another method of termination of screens. A high quality band will do the job in this back shell. Tempered bands are tightened over the shields, which is pulled over the banding area, using special assembly tools. Suitable over cover by heat shrink boot or some other method as chosen by the designer could be used. Both crimp ring and banded terminations give a low DC resistance.

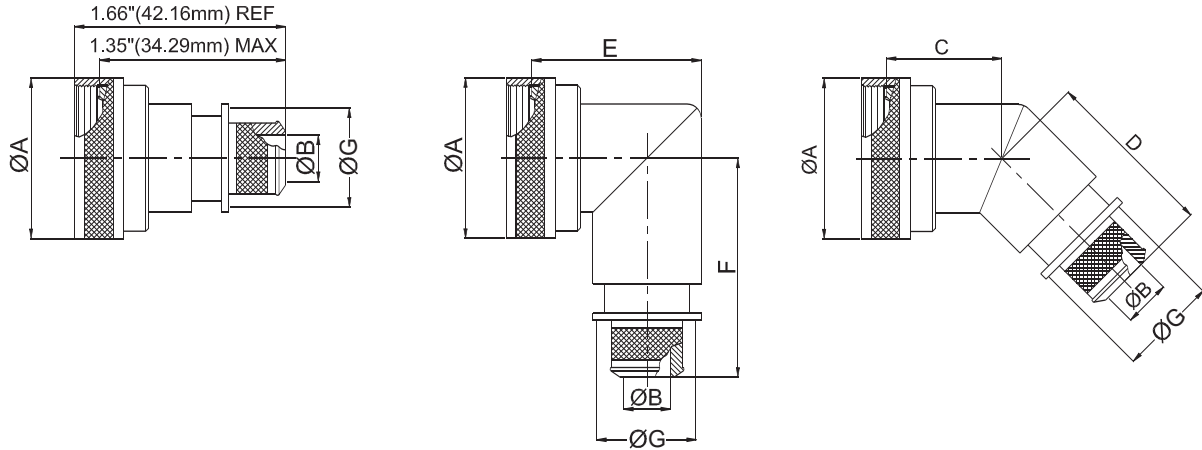
| For Connector Group | | Page No. |
|---------------------|---|----------|
| J | → | VII-1 |
| K | → | VII-2 |
| L | → | VII-3 |
| M | → | VII-4 |
| N | → | VII-5 |

Note: For Connector group Identification refer Table 1 - A, B, C, D (Page 7-11) and for Material / Plating Finish, Refer Table-2 (Page 12)



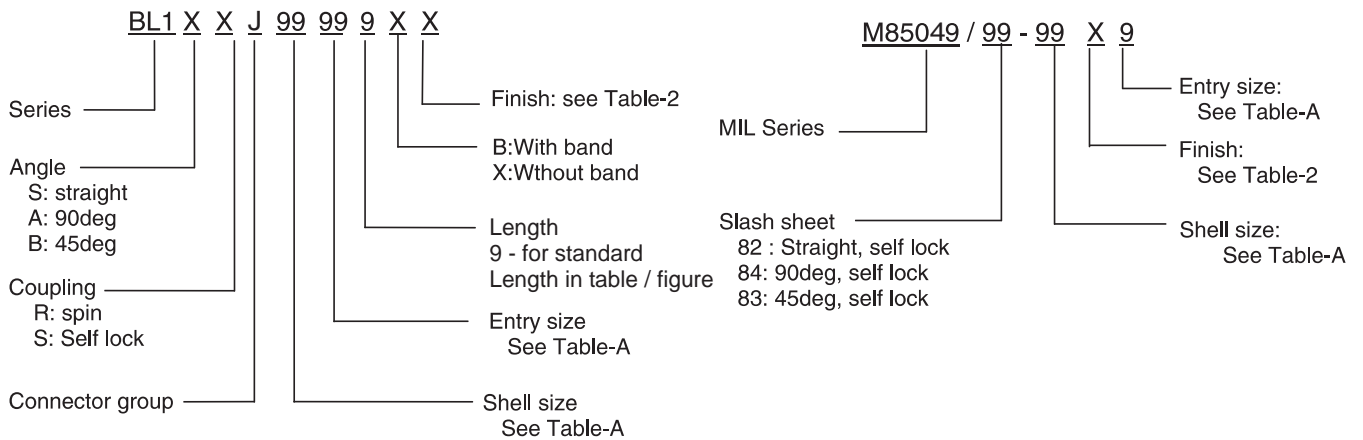
Connector Group - J

Straight, 90°, 45°



Amphenol Part Number

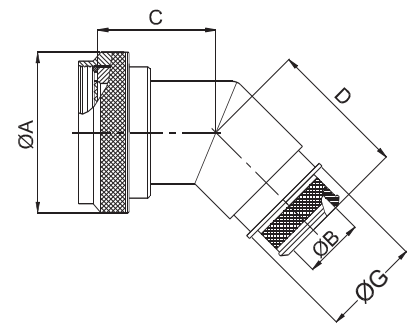
MIL Part Number



NOTE: * For more cable entry and length options, contact factory

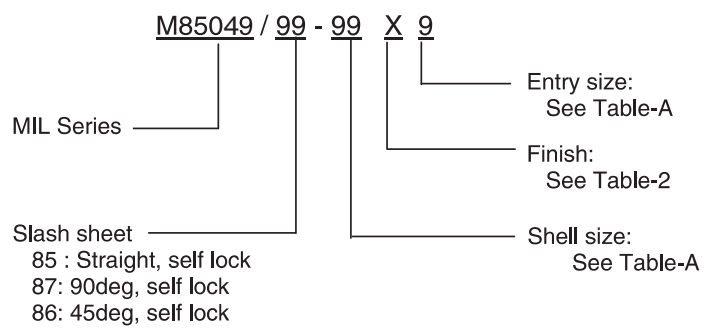
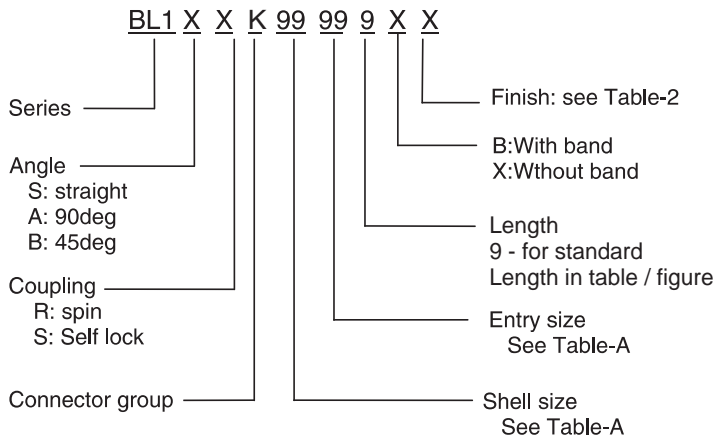
TABLE - A

| AMPHENOL PART NUMBER DESIGNATOR | | MIL PART NUMBER DESIGNATOR | | CONNECTOR SHELL SIZE | A DIA. (MAX) | | B DIA. | | C (MAX) | | D (MAX) | | E (MAX) | | F (MAX) | | G (MAX) | |
|---------------------------------|------------|----------------------------|------------|----------------------|--------------|-------|--------|-------|---------|-------|---------|-------|---------|-------|---------|-------|---------|-------|
| SHELL SIZE | ENTRY SIZE | ACCESSORY SHELL SIZE | ENTRY SIZE | | INCH | MM | +0.00 | -0.00 | INCH | MM | INCH | MM | INCH | MM | INCH | MM | INCH | MM |
| | | | | | | | -0.02 | -0.50 | | | | | | | | | | |
| 08 | 01 | 08 | 02 | 8 | 0.89 | 22.48 | N/A | N/A | 0.87 | 22.10 | 1.16 | 29.46 | 1.19 | 30.18 | 1.42 | 35.99 | N/A | N/A |
| | 02 | | 03 | | | | 0.26 | 6.60 | | | | | | | | | 0.56 | 14.22 |
| 10 | 01 | 10 | 02 | 10 | 1.01 | 25.65 | N/A | N/A | 0.89 | 22.61 | 1.18 | 29.97 | 1.28 | 32.54 | 1.48 | 37.59 | N/A | N/A |
| | 02 | | 03 | | | | 0.32 | 8.13 | | | | | | | | | 0.63 | 16.00 |
| 12 | 01 | 12 | 02 | 7 / 12 | 1.14 | 28.83 | 0.32 | 8.13 | 0.92 | 23.37 | 1.20 | 30.48 | 1.41 | 35.71 | 1.54 | 39.17 | 0.63 | 16.00 |
| | 02 | | 03 | | | | 0.45 | 11.43 | | | | | | | | | 0.75 | 19.05 |
| 14 | 01 | 14 | 02 | 12 / 14 | 1.26 | 32.00 | 0.45 | 11.43 | 0.94 | 23.88 | 1.22 | 30.99 | 1.53 | 38.89 | 1.61 | 40.77 | 0.75 | 19.05 |
| | 02 | | 03 | | | | 0.57 | 14.48 | | | | | | | | | 0.89 | 22.61 |
| 16 | 01 | 16 | 02 | 19 / 16 | 1.39 | 35.18 | 0.51 | 12.95 | 0.96 | 24.38 | 1.25 | 31.75 | 1.66 | 42.06 | 1.67 | 42.34 | 0.82 | 20.83 |
| | 02 | | 03 | | | | 0.64 | 16.26 | | | | | | | | | 0.95 | 24.13 |
| 18 | 01 | 18 | 02 | 27 / 18 | 1.51 | 38.35 | 0.64 | 16.26 | 0.98 | 24.89 | 1.26 | 32.00 | 1.72 | 43.64 | 1.73 | 43.94 | 0.95 | 24.13 |
| | 02 | | 03 | | | | 0.76 | 19.30 | | | | | | | | | 1.07 | 27.18 |
| 20 | 01 | 20 | 02 | 37 / 20 | 1.64 | 41.53 | 0.64 | 16.26 | 1.00 | 25.40 | 1.29 | 32.77 | 1.84 | 46.84 | 1.79 | 45.52 | 0.95 | 24.13 |
| | 02 | | 03 | | | | 0.82 | 20.83 | | | | | | | | | 1.13 | 28.07 |
| 22 | 01 | 22 | 02 | 22 | 1.76 | 44.70 | 0.70 | 17.78 | 1.03 | 26.16 | 1.31 | 33.27 | 1.94 | 49.23 | 1.85 | 46.99 | 1.02 | 25.99 |
| | 02 | | 03 | | | | 0.95 | 24.13 | | | | | | | | | 1.26 | 32.00 |
| 24 | 01 | 24 | 02 | 24 | 1.89 | 47.88 | 0.76 | 19.30 | 1.05 | 26.67 | 1.34 | 34.04 | 2.09 | 53.16 | 1.92 | 48.69 | 1.07 | 27.18 |
| | 02 | | 03 | | | | 1.01 | 25.65 | | | | | | | | | 1.32 | 33.53 |
| 28 | 01 | 28 | 02 | 28 | 2.14 | 54.23 | 0.89 | 22.61 | 1.10 | 27.94 | 1.38 | 35.05 | 2.53 | 64.29 | 2.04 | 51.87 | 1.19 | 30.23 |
| | 02 | | 03 | | | | 1.14 | 28.96 | | | | | | | | | 1.47 | 37.34 |



Amphenol Part Number

MIL Part Number



NOTE: * For more cable entry and length options, contact factory

| AMPHENOL PART NUMBER DESIGNATOR | | MIL PART NUMBER DESIGNATOR | | CONNECTOR SHELL SIZE SE - II / I | A DIA. (MAX) | | B DIA. | | C (MAX) | | D (MAX) | | E (MAX) | | F (MAX) | | G (MAX) | |
|---------------------------------|------------|----------------------------|------------|----------------------------------|--------------|-------|-------------|-------------|---------|-------|---------|-------|---------|-------|---------|-------|---------|-------|
| SHELL SIZE | ENTRY SIZE | ACCESSORY SHELL SIZE | ENTRY SIZE | | INCH | MM | +0.00 -0.02 | +0.00 -0.50 | INCH | MM | INCH | MM | INCH | MM | INCH | MM | INCH | MM |
| 08 | 01 | 08 | 01 | 8 / 9 | 0.86 | 21.82 | N/A | N/A | 0.87 | 22.10 | 1.16 | 29.46 | 1.38 | 34.93 | 1.42 | 35.99 | N/A | N/A |
| | 02 | | 02 | | | | 0.26 | 6.60 | | | | | | | | | 0.56 | 14.22 |
| 10 | 01 | 10 | 01 | 10 / 11 | 0.99 | 25.04 | N/A | N/A | 0.90 | 22.86 | 1.19 | 30.23 | 1.44 | 36.50 | 1.48 | 37.59 | N/A | N/A |
| | 02 | | 02 | | | | 0.32 | 8.13 | | | | | | | | | 0.63 | 16.00 |
| 12 | 01 | 12 | 01 | 12 / 13 | 1.16 | 29.36 | 0.32 | 8.13 | 0.92 | 23.37 | 1.21 | 30.73 | 1.56 | 39.67 | 1.55 | 39.45 | 0.63 | 16.00 |
| | 02 | | 02 | | | | 0.45 | 11.43 | | | | | | | | | 0.75 | 19.05 |
| 14 | 01 | 14 | 01 | 14 / 15 | 1.28 | 32.54 | 0.45 | 11.43 | 0.95 | 24.13 | 1.24 | 31.50 | 1.69 | 42.85 | 1.61 | 41.00 | 0.75 | 19.05 |
| | 02 | | 02 | | | | 0.57 | 14.48 | | | | | | | | | 0.89 | 22.61 |
| 16 | 01 | 16 | 01 | 16 / 17 | 1.41 | 35.71 | 0.51 | 12.95 | 0.98 | 24.89 | 1.26 | 32.00 | 1.75 | 44.45 | 1.68 | 42.62 | 0.82 | 20.83 |
| | 02 | | 02 | | | | 0.64 | 16.26 | | | | | | | | | 0.95 | 24.13 |
| 18 | 01 | 18 | 01 | 18 / 19 | 1.52 | 38.51 | 0.64 | 16.26 | 0.98 | 24.89 | 1.27 | 32.26 | 1.88 | 47.63 | 1.73 | 44.02 | 0.95 | 24.13 |
| | 02 | | 02 | | | | 0.76 | 19.30 | | | | | | | | | 1.07 | 27.18 |
| 20 | 01 | 20 | 01 | 20 / 21 | 1.64 | 41.68 | 0.64 | 16.26 | 1.01 | 25.65 | 1.30 | 33.02 | 1.94 | 49.23 | 1.80 | 45.62 | 0.95 | 24.13 |
| | 02 | | 02 | | | | 0.82 | 20.83 | | | | | | | | | 1.13 | 28.07 |
| 22 | 01 | 22 | 01 | 22 / 23 | 1.77 | 44.86 | 0.70 | 17.78 | 1.04 | 26.42 | 1.33 | 33.78 | 2.06 | 52.37 | 1.86 | 47.22 | 1.02 | 25.99 |
| | 02 | | 02 | | | | 0.95 | 24.13 | | | | | | | | | 1.26 | 32.00 |
| 24 | 01 | 24 | 01 | 24 / 25 | 1.89 | 48.03 | 0.76 | 19.30 | 1.07 | 27.18 | 1.35 | 34.29 | 2.13 | 53.98 | 1.92 | 48.74 | 1.07 | 27.18 |
| | 02 | | 02 | | | | 1.01 | 25.65 | | | | | | | | | 1.32 | 33.53 |

Connector Group - L

Straight, 90°, 45°



Amphenol Part Number

BL1 X X L 99 99 9 X X

Series

Angle
S: straight
A: 90deg
B: 45deg

Coupling
R: spin
S: Self lock

Connector group

Finish: see Table-2

B: With band
X: Without band

Length
9 - for standard
Length in table / figure

Entry size
See Table-A

Shell size
See Table-A

MIL Part Number

M85049 / 99 - 99 X 9

MIL Series

Slash sheet
88 : Straight, self lock
90: 90deg, self lock
89: 45deg, self lock

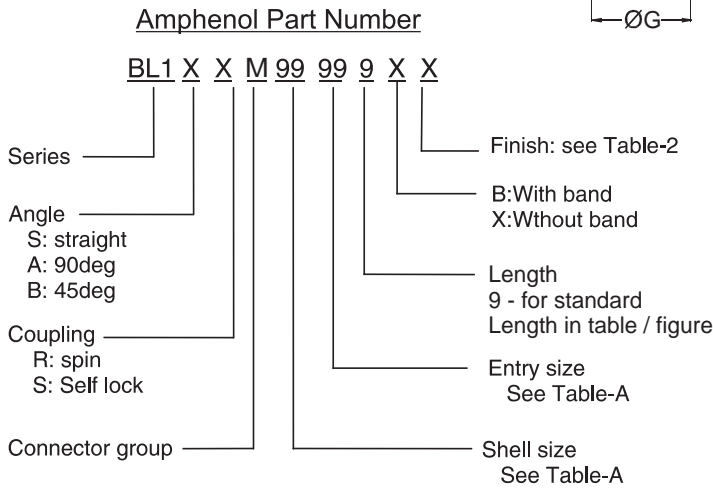
Entry size:
See Table-A

Finish:
See Table-2

Shell size:
See Table-A

NOTE: * For more cable entry and length options, contact factory

| AMPHENOL PART NUMBER DESIGNATOR | | MIL PART NUMBER DESIGNATOR | | CONNECTOR SHELL SIZE/CODE | A DIA. (MAX) | | B DIA. | | C (MAX) | | D (MAX) | | E (MAX) | | F (MAX.) | | G (MAX) | | | |
|---------------------------------|------------|----------------------------|------------|---------------------------|--------------|-------|--------|-------|---------|-------|---------|-------|---------|-------|----------|-------|---------|-------|------|----|
| SHELL SIZE | ENTRY SIZE | CONNECTOR SHELL SIZE | ENTRY SIZE | | INCH | MM | +0.00 | +0.00 | INCH | MM | INCH | MM | INCH | MM | INCH | MM | INCH | MM | INCH | MM |
| | | | | | | | -0.02 | -0.50 | | | | | | | | | | | | |
| 08 | 01 | 09 | 02 | 09 / A | 0.86 | 21.82 | N/A | N/A | 1.01 | 25.65 | 1.16 | 29.46 | 1.38 | 34.93 | 1.42 | 35.99 | N/A | N/A | | |
| | 02 | | 03 | | | | 0.26 | 6.60 | | | | | | | | | 0.56 | 14.22 | | |
| 10 | 01 | 11 | 02 | 11 / B | 0.99 | 25.04 | N/A | N/A | 1.03 | 26.16 | 1.19 | 30.23 | 1.44 | 36.50 | 1.48 | 37.59 | N/A | N/A | | |
| | 02 | | 03 | | | | 0.32 | 8.13 | | | | | | | | | 0.63 | 16.00 | | |
| 12 | 01 | 13 | 02 | 13 / C | 1.16 | 29.36 | 0.32 | 8.13 | 1.06 | 26.92 | 1.21 | 30.73 | 1.56 | 39.67 | 1.55 | 39.45 | 0.63 | 16.00 | | |
| | 02 | | 03 | | | | 0.45 | 11.43 | | | | | | | | | 0.75 | 19.05 | | |
| 14 | 01 | 15 | 02 | 15 / D | 1.28 | 32.54 | 0.45 | 11.43 | 1.08 | 27.43 | 1.24 | 31.50 | 1.69 | 42.85 | 1.61 | 41.00 | 0.75 | 19.05 | | |
| | 02 | | 03 | | | | 0.57 | 14.48 | | | | | | | | | 0.89 | 22.61 | | |
| 16 | 01 | 17 | 02 | 17 / E | 1.41 | 35.71 | 0.51 | 12.95 | 1.11 | 28.19 | 1.26 | 32.00 | 1.75 | 44.45 | 1.68 | 42.62 | 0.82 | 20.83 | | |
| | 02 | | 03 | | | | 0.64 | 16.26 | | | | | | | | | 0.95 | 24.13 | | |
| 18 | 01 | 19 | 02 | 19 / F | 1.52 | 38.51 | 0.64 | 16.26 | 1.12 | 28.45 | 1.27 | 32.26 | 1.88 | 47.63 | 1.77 | 45.03 | 0.95 | 24.13 | | |
| | 02 | | 03 | | | | 0.76 | 19.30 | | | | | | | | | 1.07 | 27.18 | | |
| 20 | 01 | 21 | 02 | 21 / G | 1.64 | 41.68 | 0.64 | 16.26 | 1.15 | 29.21 | 1.30 | 33.02 | 1.94 | 49.23 | 1.80 | 45.62 | 0.95 | 24.13 | | |
| | 02 | | 03 | | | | 0.82 | 20.83 | | | | | | | | | 1.13 | 28.07 | | |
| 22 | 01 | 23 | 02 | 23 / H | 1.77 | 44.86 | 0.70 | 17.78 | 1.17 | 29.72 | 1.33 | 33.78 | 2.06 | 52.37 | 1.86 | 47.22 | 1.02 | 25.99 | | |
| | 02 | | 03 | | | | 0.95 | 24.13 | | | | | | | | | 1.26 | 32.00 | | |
| 24 | 01 | 25 | 02 | 25 / J | 1.89 | 48.03 | 0.76 | 19.30 | 1.20 | 30.48 | 1.35 | 34.29 | 2.13 | 53.98 | 1.92 | 48.74 | 1.07 | 27.18 | | |
| | 02 | | 03 | | | | 1.01 | 25.65 | | | | | | | | | 1.32 | 33.53 | | |

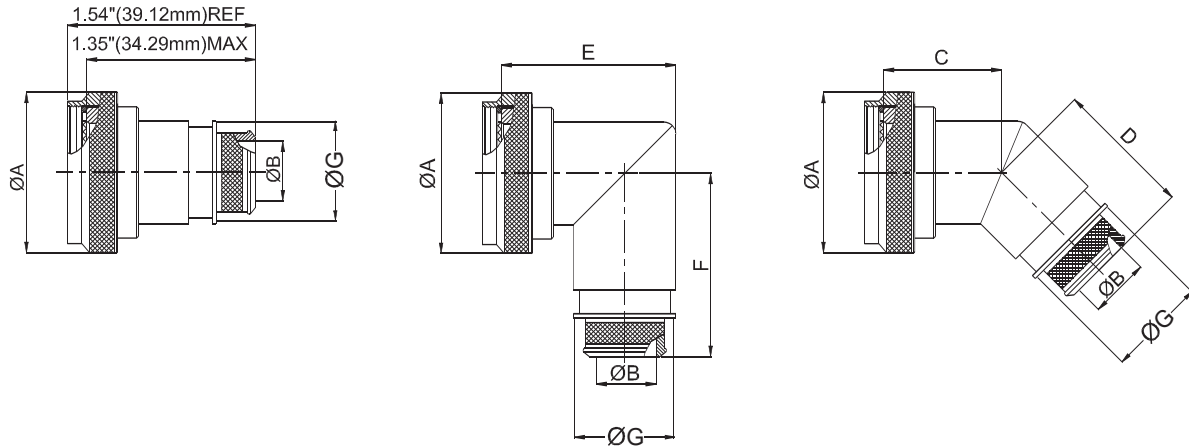


NOTE: * For more cable entry and length options, contact factory

| AMPHENOL PART NUMBER DESIGNATOR | | CONNECTOR SHELL SIZE | A DIA. (MAX) | | B DIA. | | C (MAX) | | D (MAX) | | E (MAX) | | F (MAX) | | G (MAX) | |
|---------------------------------|----|----------------------|--------------|-------|----------------|----------------|---------|-------|---------|-------|---------|-------|---------|-------|---------|-------|
| | | | INCH | MM | +0.00 -0.02 | +0.00 -0.50 | INCH | MM | INCH | MM | INCH | MM | INCH | MM | INCH | MM |
| 08 | 01 | 8 / 9 | 0.86 | 21.82 | N/A | N/A | 0.87 | 22.10 | 1.16 | 29.46 | 1.38 | 34.93 | 1.42 | 35.99 | N/A | N/A |
| | 02 | | | | 0.26 | 6.60 | | | | | | | | | 0.56 | 14.22 |
| 10 | 01 | 10 / 11 | 0.99 | 25.04 | N/A | N/A | 0.90 | 22.86 | 1.19 | 30.23 | 1.44 | 36.50 | 1.48 | 37.59 | N/A | N/A |
| | 02 | | | | 0.32 | 8.13 | | | | | | | | | 0.63 | 16.00 |
| 12 | 01 | 12 / 13 | 1.16 | 29.36 | 0.32 | 8.13 | 0.92 | 23.37 | 1.21 | 30.73 | 1.56 | 39.67 | 1.55 | 39.45 | 0.63 | 16.00 |
| | 02 | | | | 0.45 | 11.43 | | | | | | | | | 0.75 | 19.05 |
| 14 | 01 | 14 / 15 | 1.28 | 32.54 | 0.45 | 11.43 | 0.95 | 24.13 | 1.24 | 31.50 | 1.69 | 42.85 | 1.61 | 41.00 | 0.75 | 19.05 |
| | 02 | | | | 0.57 | 14.48 | | | | | | | | | 0.89 | 22.61 |
| 16 | 01 | 16 / 17 | 1.41 | 35.71 | 0.51 | 12.95 | 0.98 | 24.89 | 1.26 | 32.00 | 1.75 | 44.45 | 1.68 | 42.62 | 0.82 | 20.83 |
| | 02 | | | | 0.64 | 16.26 | | | | | | | | | 0.95 | 24.13 |
| 18 | 01 | 18 / 19 | 1.52 | 38.51 | 0.64 | 16.26 | 0.98 | 24.89 | 1.27 | 32.26 | 1.88 | 47.63 | 1.73 | 44.02 | 0.95 | 24.13 |
| | 02 | | | | 0.76 | 19.30 | | | | | | | | | 1.07 | 27.18 |
| 20 | 01 | 20 / 21 | 1.64 | 41.68 | 0.64 | 16.26 | 1.01 | 25.65 | 1.30 | 33.02 | 1.94 | 49.23 | 1.80 | 45.62 | 0.95 | 24.13 |
| | 02 | | | | 0.82 | 20.83 | | | | | | | | | 1.13 | 28.07 |
| 22 | 01 | 22 / 23 | 1.77 | 44.86 | 0.70 | 17.78 | 1.04 | 26.42 | 1.33 | 33.78 | 2.06 | 52.37 | 1.86 | 47.22 | 1.02 | 25.99 |
| | 02 | | | | 0.95 | 24.13 | | | | | | | | | 1.26 | 32.00 |
| 24 | 01 | 24 / 25 | 1.89 | 48.03 | 0.76 | 19.30 | 1.07 | 27.18 | 1.35 | 34.29 | 2.13 | 53.98 | 1.92 | 48.74 | 1.07 | 27.18 |
| | 02 | | | | 1.01 | 25.65 | | | | | | | | | 1.32 | 33.53 |

Connector Group - N

Straight, 90°, 45°



Amphenol Part Number



NOTE: * For more cable entry and length options, contact factory

| AMPHENOL PART NUMBER DESIGNATOR | | CONNECTOR SHELL SIZE | A DIA. (MAX) | | B DIA. | | C (MAX) | | D (MAX) | | E (MAX) | | F (MAX) | | G (MAX) | |
|---------------------------------|------------|----------------------|--------------|-------|----------------|----------------|---------|-------|---------|-------|---------|-------|---------|-------|---------|-------|
| SHELL SIZE | ENTRY SIZE | | INCH | MM | +0.00 -0.02 | +0.00 -0.50 | INCH | MM | INCH | MM | INCH | MM | INCH | MM | INCH | MM |
| 08 | 01 | 8 / 9 | 0.86 | 21.82 | N/A | N/A | 0.87 | 22.10 | 1.16 | 29.46 | 1.38 | 34.93 | 1.42 | 35.99 | N/A | N/A |
| | 02 | | | | 0.26 | 6.60 | | | | | | | | | 0.56 | 14.22 |
| 10 | 01 | 10 / 11 | 0.99 | 25.04 | N/A | N/A | 0.90 | 22.86 | 1.19 | 30.23 | 1.44 | 36.50 | 1.48 | 37.59 | N/A | N/A |
| | 02 | | | | 0.32 | 8.13 | | | | | | | | | 0.63 | 16.00 |
| 12 | 01 | 12 / 13 | 1.16 | 29.36 | 0.32 | 8.13 | 0.92 | 23.37 | 1.21 | 30.73 | 1.56 | 39.67 | 1.55 | 39.45 | 0.63 | 16.00 |
| | 02 | | | | 0.45 | 11.43 | | | | | | | | | 0.75 | 19.05 |
| 14 | 01 | 14 / 15 | 1.28 | 32.54 | 0.45 | 11.43 | 0.95 | 24.13 | 1.24 | 31.50 | 1.69 | 42.85 | 1.61 | 41.00 | 0.75 | 19.05 |
| | 02 | | | | 0.57 | 14.48 | | | | | | | | | 0.89 | 22.61 |
| 16 | 01 | 16 / 17 | 1.41 | 35.71 | 0.51 | 12.95 | 0.98 | 24.89 | 1.26 | 32.00 | 1.75 | 44.45 | 1.68 | 42.62 | 0.82 | 20.83 |
| | 02 | | | | 0.64 | 16.26 | | | | | | | | | 0.95 | 24.13 |
| 18 | 01 | 18 / 19 | 1.52 | 38.51 | 0.64 | 16.26 | 0.98 | 24.89 | 1.27 | 32.26 | 1.88 | 47.63 | 1.73 | 44.02 | 0.95 | 24.13 |
| | 02 | | | | 0.76 | 19.30 | | | | | | | | | 1.07 | 27.18 |
| 20 | 01 | 20 / 21 | 1.64 | 41.68 | 0.64 | 16.26 | 1.01 | 25.65 | 1.30 | 33.02 | 1.94 | 49.23 | 1.80 | 45.62 | 0.95 | 24.13 |
| | 02 | | | | 0.82 | 20.83 | | | | | | | | | 1.13 | 28.07 |
| 22 | 01 | 22 / 23 | 1.77 | 44.86 | 0.70 | 17.78 | 1.04 | 26.42 | 1.33 | 33.78 | 2.06 | 52.37 | 1.86 | 47.22 | 1.02 | 25.99 |
| | 02 | | | | 0.95 | 24.13 | | | | | | | | | 1.26 | 32.00 |
| 24 | 01 | 24 / 25 | 1.89 | 48.03 | 0.76 | 19.30 | 1.07 | 27.18 | 1.35 | 34.29 | 2.13 | 53.98 | 1.92 | 48.74 | 1.07 | 27.18 |
| | 02 | | | | 1.01 | 25.65 | | | | | | | | | 1.32 | 33.53 |

Компания «Океан Электроники» предлагает заключение долгосрочных отношений при поставках импортных электронных компонентов на взаимовыгодных условиях!

Наши преимущества:

- Поставка оригинальных импортных электронных компонентов напрямую с производств Америки, Европы и Азии, а так же с крупнейших складов мира;
- Широкая линейка поставок активных и пассивных импортных электронных компонентов (более 30 млн. наименований);
- Поставка сложных, дефицитных, либо снятых с производства позиций;
- Оперативные сроки поставки под заказ (от 5 рабочих дней);
- Экспресс доставка в любую точку России;
- Помощь Конструкторского Отдела и консультации квалифицированных инженеров;
- Техническая поддержка проекта, помощь в подборе аналогов, поставка прототипов;
- Поставка электронных компонентов под контролем ВП;
- Система менеджмента качества сертифицирована по Международному стандарту ISO 9001;
- При необходимости вся продукция военного и аэрокосмического назначения проходит испытания и сертификацию в лаборатории (по согласованию с заказчиком);
- Поставка специализированных компонентов военного и аэрокосмического уровня качества (Xilinx, Altera, Analog Devices, Intersil, Interpoint, Microsemi, Actel, Aeroflex, Peregrine, VPT, Syfer, Eurofarad, Texas Instruments, MS Kennedy, Miteq, Cobham, E2V, MA-COM, Hittite, Mini-Circuits, General Dynamics и др.);

Компания «Океан Электроники» является официальным дистрибьютором и эксклюзивным представителем в России одного из крупнейших производителей разъемов военного и аэрокосмического назначения «JONHON», а так же официальным дистрибьютором и эксклюзивным представителем в России производителя высокотехнологичных и надежных решений для передачи СВЧ сигналов «FORSTAR».



JONHON

«JONHON» (основан в 1970 г.)

Разъемы специального, военного и аэрокосмического назначения:

(Применяются в военной, авиационной, аэрокосмической, морской, железнодорожной, горно- и нефтедобывающей отраслях промышленности)

«FORSTAR» (основан в 1998 г.)

ВЧ соединители, коаксиальные кабели, кабельные сборки и микроволновые компоненты:

(Применяются в телекоммуникациях гражданского и специального назначения, в средствах связи, РЛС, а так же военной, авиационной и аэрокосмической отраслях промышленности).



Телефон: 8 (812) 309-75-97 (многоканальный)

Факс: 8 (812) 320-03-32

Электронная почта: ocean@oceanchips.ru

Web: <http://oceanchips.ru/>

Адрес: 198099, г. Санкт-Петербург, ул. Калинина, д. 2, корп. 4, лит. А