



# Low-Voltage, Quad, SPST CMOS Analog Switches

MAX4610/MAX4611/MAX4612

## General Description

The MAX4610/MAX4611/MAX4612 are quad, low-voltage, single-pole/single-throw (SPST) analog switches. On-resistance (100Ω, max) is matched between switches to 4Ω, max and is flat (4Ω, max) over the specified signal range. Each switch handles V<sub>+</sub> to GND analog signal levels. Maximum off-leakage current is only 1nA at T<sub>A</sub> = +25°C and 2nA at T<sub>A</sub> = +85°C.

The MAX4610 has four normally open (NO) switches, and the MAX4611 has four normally closed (NC) switches. The MAX4612 has two NO switches and two NC switches. These CMOS switches operate from a single +2V to +12V supply. All digital inputs have +0.8V and +2.4V logic thresholds, ensuring TTL/CMOS-logic compatibility when using a single +5V supply.

## Applications

- Battery-Operated Equipment
- Audio/Video Signal Routing
- Low-Voltage Data-Acquisition Systems
- Sample-and-Hold Circuits
- Communication Circuits

## Features

- ◆ Offered in Automotive Temperature Range (-40°C to +125°C)
- ◆ Guaranteed On-Resistance  
100Ω max (5V Supply)  
46Ω max (12V Supply)
- ◆ Guaranteed Match Between Channels (4Ω, max)
- ◆ Guaranteed Flatness Over Signal Range (18Ω, max)
- ◆ Off-Leakage Current Over Temperature  
< 2nA at T<sub>A</sub> = +85°C
- ◆ > 2kV ESD Protection per Method 3015.7
- ◆ Rail-to-Rail Signal Handling
- ◆ TTL/CMOS-Logic Compatible

## Ordering Information

| PART        | TEMP RANGE      | PIN-PACKAGE    |
|-------------|-----------------|----------------|
| MAX4610CUD+ | 0°C to +70°C    | 14 TSSOP       |
| MAX4610CSD+ | 0°C to +70°C    | 14 Narrow SO   |
| MAX4610CPD+ | 0°C to +70°C    | 14 Plastic DIP |
| MAX4610C/D+ | 0°C to +70°C    | Dice*          |
| MAX4610EGE+ | -40°C to +85°C  | 16 QFN-EP**    |
| MAX4610EUD+ | -40°C to +85°C  | 14 TSSOP       |
| MAX4610ESD+ | -40°C to +85°C  | 14 Narrow SO   |
| MAX4610EPD+ | -40°C to +85°C  | 14 Plastic DIP |
| MAX4610ASD+ | -40°C to +125°C | 14 Narrow SO   |

Ordering Information continued at end of data sheet.

\*Contact factory for dice specifications.

\*\*EP = Exposed pad.

+Denotes a lead(Pb)-free/RoHS-compliant package.

## Pin Configurations/Truth Tables

**TOP VIEW**

**TSSOP/SO/DIP**

| INPUT | SWITCH STATE |
|-------|--------------|
| LOW   | OFF          |
| HIGH  | ON           |

**QFN**

\*\*EP = EXPOSED PAD  
CONNECT EP TO V+

MAX4611/MAX4612 Pin Configurations/Truth Tables appear at end of data sheet.



# Low-Voltage, Quad, SPST CMOS Analog Switches

## ABSOLUTE MAXIMUM RATINGS

(Voltages referenced to GND.)

|  |                      |
|--|----------------------|
| V+ .....   | -0.3V to +13V        |
| IN_, COM_, NO_, NC_ (Note 1).....  | -0.3V to (V+ + 0.3V) |
| Continuous Current (any terminal)<br>(pulsed at 1ms, 10% duty cycle) ..... | 20mA                 |
| Peak Current (any terminal)<br>(pulsed at 1ms, 10% duty cycle) .....       | 40mA                 |
| ESD per Method 3015.7 .....  | > 2kV                |

Continuous Power Dissipation (TA = +70°C)

|   |        |
|---|--------|
| 14-Pin TSSOP (derate 6.3mW/°C above +70°C) .....      | 500mW  |
| 14-Pin Narrow SO (derate 8.00mW/°C above +70°C) ..    | 640mW  |
| 14-Pin Plastic DIP (derate 10.00mW/°C above +70°C) .. | 800mW  |
| 16-Pin QFN (derate 18.5mW/°C above +70°C) .....       | 1481mW |

Operating Temperature Ranges

|   |                 |
|---|-----------------|
| MAX461_C_ .....                         | 0°C to +70°C    |
| MAX461_E_ .....                         | -40°C to +85°C  |
| MAX461_A_ .....                         | -40°C to +125°C |
| Storage Temperature Range .....         | -65°C to +160°C |
| Lead Temperature (soldering, 10s) ..... | +300°C          |

**Note 1:** Signals on NO\_, NC\_, COM\_, or IN\_ exceeding V+ or GND are clamped by internal diodes. Limit forward-diode current to maximum current rating.

Stresses beyond those listed under "Absolute Maximum Ratings" may cause permanent damage to the device. These are stress ratings only, and functional operation of the device at these or any other conditions beyond those indicated in the operational sections of the specifications is not implied. Exposure to absolute maximum rating conditions for extended periods may affect device reliability.

## ELECTRICAL CHARACTERISTICS—Single +5V Supply

(V+ = +5V ±10%, VIN\_H = 2.4V, VIN\_L = 0.8V, TA = TMIN to TMAX, unless otherwise noted.)

| PARAMETER  | SYMBOL                  | CONDITIONS  |                      | MIN | TYP<br>(Note 2) | MAX  | UNITS |
|--|-------------------------|---|----------------------|-----|-----------------|------|-------|
| <b>ANALOG SWITCH</b>                             |                         |   |                      |     |                 |      |       |
| Analog Signal Range<br>(Note 3)                  | VCOM_,<br>VNO_,<br>VNC_ |   |                      | 0   |                 | V+   | V     |
| On-Resistance                                    | RON                     | V+ = 4.5V,<br>ICOM_ = 1mA,<br>VNO_ = VNC_ = 3V                            | TA = +25°C           |     | 70              | 100  | Ω     |
|  |                         |   | TA = TMIN to TMAX    |     |                 | 150  |       |
| On-Resistance Match<br>Between Channels (Note 4) | ΔRON                    | V+ = 4.5V,<br>ICOM_ = 1mA,<br>VNO_ = VNC_ = 3V                            | TA = +25°C           |     | 1.0             | 5    | Ω     |
|  |                         |   | TA = TMIN to TMAX    |     |                 | 8    |       |
| On-Resistance Flatness<br>(Note 5)               | RFLAT(ON)               | V+ = 4.5V;<br>ICOM_ = 1mA;<br>VNO_ = VNC_ = 3V,<br>2V, 1V                 | TA = +25°C           |     | 12              | 22   | Ω     |
|  |                         |   | TA = TMIN to TMAX    |     |                 | 28   |       |
| NO_ or NC_ Off-Leakage<br>Current (Note 6)       | INO(OFF)                | V+ = 5.5V;<br>VCOM_ = 1V, 4.5V;<br>VNO_ = 4.5V, 1V                        | TA = +25°C           |     | -0.1            | +0.1 | nA    |
|  |                         |   | TA = -40°C to +85°C  |     | -2              | +2   |       |
|  |                         |   | TA = -40°C to +125°C |     | -30             | +30  |       |
| COM_ Off-Leakage Current<br>(Note 6)             | ICOM(OFF)               | V+ = 5.5V;<br>VCOM_ = 1V, 4.5V;<br>VNO_ = VNC_ = 4.5V, 1V                 | TA = +25°C           |     | -0.1            | +0.1 | nA    |
|  |                         |   | TA = -40°C to +85°C  |     | -2              | +2   |       |
|  |                         |   | TA = -40°C to +125°C |     | -30             | +30  |       |
| COM_ On-Leakage Current<br>(Note 6)              | ICOM(ON)                | V+ = 5.5V;<br>VCOM_ = 1V, 4.5V;<br>VNO_ = VNC_ = 1V, 4.5V,<br>or floating | TA = +25°C           |     | -0.2            | +0.2 | nA    |
|  |                         |   | TA = -40°C to +85°C  |     | -4              | +4   |       |
|  |                         |   | TA = -40°C to +125°C |     | -30             | +30  |       |

# Low-Voltage, Quad, SPST CMOS Analog Switches

MAX4610/MAX4611/MAX4612

## ELECTRICAL CHARACTERISTICS—Single +5V Supply (continued)

(V+ = +5V ±10%, V<sub>IN\_H</sub> = 2.4V, V<sub>IN\_L</sub> = 0.8V, T<sub>A</sub> = T<sub>MIN</sub> to T<sub>MAX</sub>, unless otherwise noted.)

| PARAMETER                             | SYMBOL                | CONDITIONS   | MIN   | TYP<br>(Note 2) | MAX  | UNITS |
|---------------------------------------|-----------------------|--|---|-----------------|------|-------|
| <b>LOGIC INPUT</b>                    |                       |  |   |                 |      |       |
| Input Current with Input-Voltage High | I <sub>IN_H</sub>     | V <sub>IN_</sub> = 2.4V, all others = 0.8V                                   | -0.1  | ±0.001          | +0.1 | μA    |
| Input Current with Input-Voltage Low  | I <sub>IN_L</sub>     | V <sub>IN_</sub> = 0.8V, all others = 2.4V                                   | -0.1  | ±0.001          | +0.1 | μA    |
| Input High Voltage                    | V <sub>IN_H</sub>     |  | 2.4   | 1.5             |      | V     |
| Input Low Voltage                     | V <sub>IN_L</sub>     |  |   | 1.4             | 0.8  | V     |
| <b>DYNAMIC (Note 3)</b>               |                       |  |   |                 |      |       |
| Turn-On Time                          | t <sub>ON</sub>       | V <sub>COM_</sub> = 3V, Figure 2   | T <sub>A</sub> = +25°C                                | 35              | 65   | ns    |
|                                       |                       |  | T <sub>A</sub> = T <sub>MIN</sub> to T <sub>MAX</sub> |                 | 90   |       |
| Turn-Off Time                         | t <sub>OFF</sub>      | V <sub>COM_</sub> = 3V, Figure 2   | T <sub>A</sub> = +25°C                                | 15              | 28   | ns    |
|                                       |                       |  | T <sub>A</sub> = T <sub>MIN</sub> to T <sub>MAX</sub> |                 | 30   |       |
| On-Channel Bandwidth                  | BW                    | Signal = 0dBm, Figure 4, 50Ω in and out                                      | T <sub>A</sub> = +25°C                                | 300             |      | MHz   |
| Charge Injection                      | V <sub>CTE</sub>      | C <sub>L</sub> = 1.0nF, V <sub>GEN</sub> = 0, R <sub>GEN</sub> = 0, Figure 3 | T <sub>A</sub> = +25°C                                | 1               | 5    | pC    |
| Off-Isolation (Note 7)                | V <sub>ISO</sub>      | R <sub>L</sub> = 50Ω, C <sub>L</sub> = 5pF, f = 1MHz, Figure 4               | T <sub>A</sub> = +25°C                                | -60             |      | dB    |
| Crosstalk (Note 8)                    | V <sub>CT</sub>       | R <sub>L</sub> = 50Ω, C <sub>L</sub> = 5pF, f = 1MHz, Figure 5               | T <sub>A</sub> = +25°C                                | -80             |      | dB    |
| NO_ or NC_ Capacitance                | C <sub>(OFF)</sub>    | f = 1MHz, Figure 6   | T <sub>A</sub> = +25°C                                | 16              |      | pF    |
| COM_ Off-Capacitance                  | C <sub>COM(OFF)</sub> | f = 1MHz, Figure 6   | T <sub>A</sub> = +25°C                                | 16              |      | pF    |
| COM_ On-Capacitance                   | C <sub>COM(ON)</sub>  | f = 1MHz, Figure 6   | T <sub>A</sub> = +25°C                                | 23              |      | pF    |
| Total Harmonic Distortion             | THD                   | 600Ω IN and OUT, 20Hz to 20kHz, 2V <sub>P-P</sub>                            | T <sub>A</sub> = +25°C                                | 0.009           |      | %     |
| <b>SUPPLY</b>                         |                       |  |   |                 |      |       |
| Power-Supply Range                    |                       |  | 2   |                 | 12   | V     |
| Supply Current                        | I <sub>+</sub>        | V <sub>IN</sub> = 0 or V+, all switches on or off                            | -1  | ±0.001          | +1   | μA    |

# Low-Voltage, Quad, SPST CMOS Analog Switches

## ELECTRICAL CHARACTERISTICS—Single +3V Supply

(V+ = +3V, V<sub>IN\_H</sub> = 2.4V, V<sub>IN\_L</sub> = 0.5V, T<sub>A</sub> = T<sub>MIN</sub> to T<sub>MAX</sub>, unless otherwise noted.)

| PARAMETER  | SYMBOL  | CONDITIONS  |   | MIN  | TYP<br>(Note 2) | MAX | UNITS |  |
|--|---|---|---|------|-----------------|-----|-------|--|
| <b>ANALOG SWITCH</b>   |   |   |   |      |                 |     |       |  |
| Analog Signal Range<br>(Note 3)  | V <sub>COM_</sub> ,<br>V <sub>NO_</sub> ,<br>V <sub>NC_</sub> |   |   | 0    |                 | V+  | V     |  |
| On-Resistance  | R <sub>ON</sub>   | V+ = 2.7V,<br>I <sub>COM_</sub> = 1mA,<br>V <sub>NO_</sub> = V <sub>NC_</sub> = 1V                            | T <sub>A</sub> = +25°C                                | 175  | 360             |     | Ω     |  |
|  |   |   | T <sub>A</sub> = T <sub>MIN</sub> to T <sub>MAX</sub> |      |                 | 450 |       |  |
| On-Resistance Match<br>Between Channels (Note 4)                       | ΔR <sub>ON</sub>  | V+ = 2.7V,<br>I <sub>COM_</sub> = 1mA,<br>V <sub>NO_</sub> = V <sub>NC_</sub> = 1V                            | T <sub>A</sub> = +25°C                                | 2    | 10              |     | Ω     |  |
|  |   |   | T <sub>A</sub> = T <sub>MIN</sub> to T <sub>MAX</sub> |      |                 | 20  |       |  |
| NO <sub>_</sub> or NC <sub>_</sub> Off-Leakage<br>Current (Notes 3, 6) | I <sub>NO(OFF)</sub>  | V+ = 3.6V,<br>V <sub>COM_</sub> = 0.5V, 3V;<br>V <sub>NO_</sub> = V <sub>NC_</sub> = 3V,<br>0.5V              | T <sub>A</sub> = +25°C                                | -0.1 | +0.1            |     | nA    |  |
|  |   |   | T <sub>A</sub> = -40°C to +85°C                       | -2   | +2              |     |       |  |
|  |   |   | T <sub>A</sub> = -40°C to +125°C                      | -30  | +30             |     |       |  |
| COM <sub>_</sub> Off-Leakage Current<br>(Notes 3, 6)                   | I <sub>COM(OFF)</sub>   | V+ = 3.6V,<br>V <sub>COM_</sub> = 0.5V, 3V;<br>V <sub>NO_</sub> = V <sub>NC_</sub> = 3V,<br>0.5V              | T <sub>A</sub> = +25°C                                | -0.1 | +0.1            |     | nA    |  |
|  |   |   | T <sub>A</sub> = -40°C to +85°C                       | -2   | +2              |     |       |  |
|  |   |   | T <sub>A</sub> = -40°C to +125°C                      | -30  | +30             |     |       |  |
| COM <sub>_</sub> On-Leakage Current<br>(Notes 3, 6)                    | I <sub>COM(ON)</sub>  | V+ = 3.6V,<br>V <sub>COM_</sub> = 0.5V, 3V;<br>V <sub>NO_</sub> = V <sub>NC_</sub> = 0.5V,<br>3V, or floating | T <sub>A</sub> = +25°C                                | -0.2 | +0.2            |     | nA    |  |
|  |   |   | T <sub>A</sub> = -40°C to +85°C                       | -4   | +4              |     |       |  |
|  |   |   | T <sub>A</sub> = -40°C to +125°C                      | -30  | +30             |     |       |  |
| <b>LOGIC INPUTS</b>  |   |   |   |      |                 |     |       |  |
| Input High Voltage   | V <sub>IN_H</sub>   |   |   | 2.4  | 1.0             |     | V     |  |
| Input Low Voltage  | V <sub>IN_L</sub>   |   |   |      | 1.0             | 0.5 | V     |  |
| <b>DYNAMIC</b> (Note 3)  |   |   |   |      |                 |     |       |  |
| Turn-On Time   | t <sub>ON</sub>   | V <sub>COM_</sub> = 1.5V,<br>Figure 2   | T <sub>A</sub> = +25°C                                | 50   | 100             |     | ns    |  |
|  |   |   | T <sub>A</sub> = -40°C to +85°C                       |      |                 | 120 |       |  |
|  |   |   | T <sub>A</sub> = -40°C to +125°C                      |      |                 | 140 |       |  |
| Turn-Off Time  | t <sub>OFF</sub>  | V <sub>COM_</sub> = 1.5V,<br>Figure 2   | T <sub>A</sub> = +25°C                                | 30   | 47              |     | ns    |  |
|  |   |   | T <sub>A</sub> = T <sub>MIN</sub> to T <sub>MAX</sub> |      |                 | 60  |       |  |

# Low-Voltage, Quad, SPST CMOS Analog Switches

MAX4610/MAX4611/MAX4612

## ELECTRICAL CHARACTERISTICS—Single +12V Supply

(V+ = +12V, V<sub>IN\_H</sub> = 4V, V<sub>IN\_L</sub> = 0.8V, T<sub>A</sub> = T<sub>MIN</sub> to T<sub>MAX</sub>, unless otherwise noted.)

| PARAMETER                       | SYMBOL  | CONDITIONS  |   | MIN | TYP<br>(Note 2) | MAX | UNITS |
|---------------------------------|---|---|---|-----|-----------------|-----|-------|
| <b>ANALOG SWITCH</b>            |   |   |   |     |                 |     |       |
| Analog Signal Range<br>(Note 3) | V <sub>COM_</sub> ,<br>V <sub>NO_</sub> ,<br>V <sub>NC_</sub> |   |   | 0   |                 | V+  | V     |
| On-Resistance                   | R <sub>ON</sub>   | V+ = 12V,<br>I <sub>COM</sub> = 2mA,<br>V <sub>NO_</sub> = V <sub>NC_</sub> = 10V | T <sub>A</sub> = +25°C                                | 30  | 45              |     | Ω     |
|                                 |   |   | T <sub>A</sub> = T <sub>MIN</sub> to T <sub>MAX</sub> |     |                 | 60  |       |
| <b>LOGIC INPUTS</b>             |   |   |   |     |                 |     |       |
| Input High Voltage              | V <sub>IN_H</sub>   |   |   | 4.0 | 2.8             |     | V     |
| Input Low Voltage               | V <sub>IN_L</sub>   |   |   |     | 2.5             | 0.8 | V     |
| <b>SUPPLY</b>                   |   |   |   |     |                 |     |       |
| Positive Supply Current         | I+  | V <sub>IN_</sub> = 0 or V+, all switches on or off                                |   | -1  | ±0.001          | +1  | μA    |

**Note 2:** The algebraic convention, where the most negative value is a minimum and the most positive value a maximum, is used in this data sheet.

**Note 3:** Guaranteed by design.

**Note 4:** ΔR<sub>ON</sub> = R<sub>ON</sub> (max) - R<sub>ON</sub> (min).

**Note 5:** Flatness is defined as the difference between the maximum and minimum value of on-resistance as measured over the specified analog signal range.

**Note 6:** Leakage parameters are 100% tested at maximum-rated hot temperature and guaranteed by correlation at +25°C.

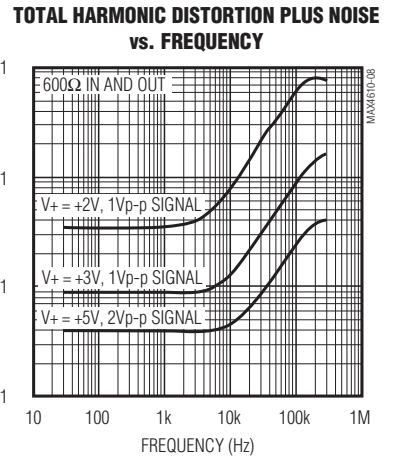
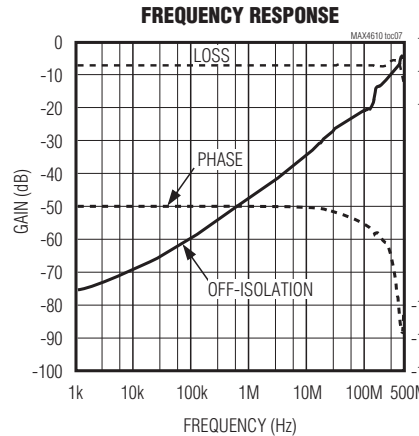
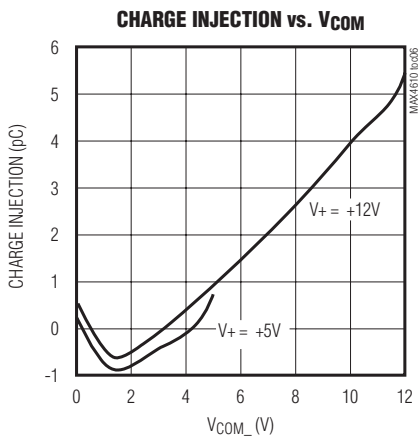
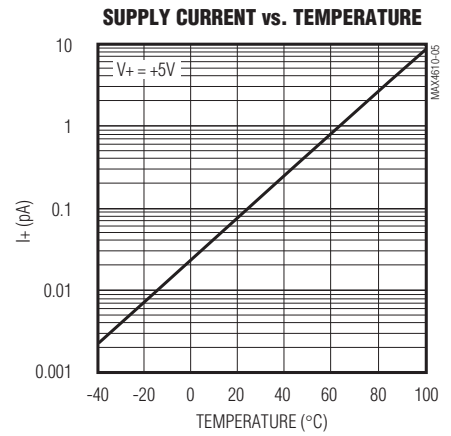
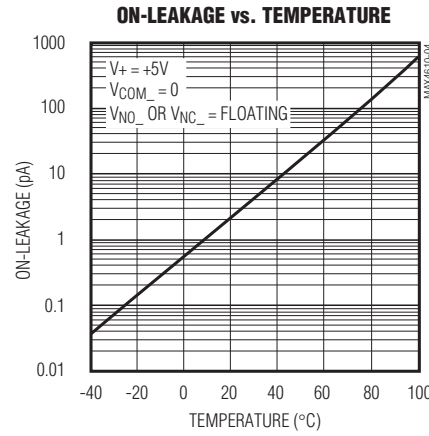
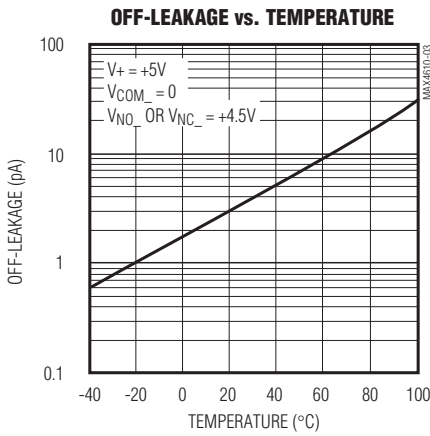
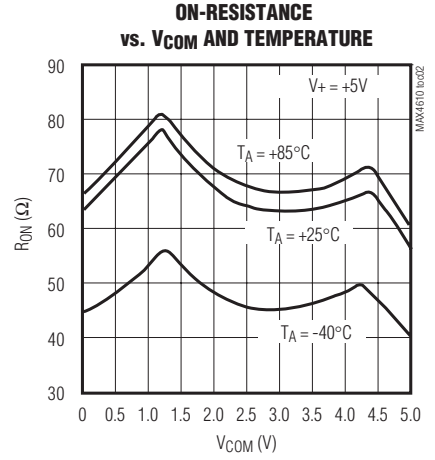
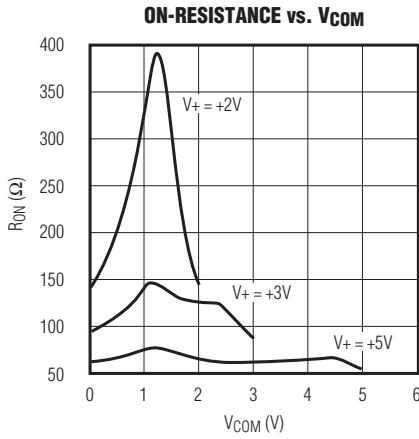
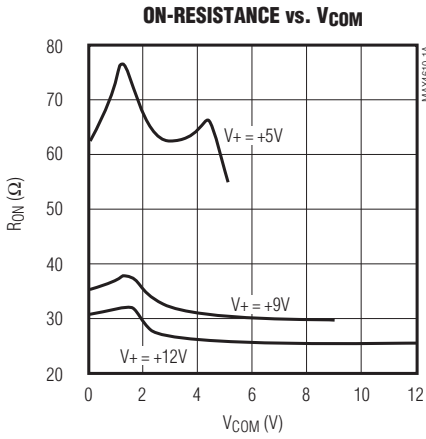
**Note 7:** Off-Isolation = 20log<sub>10</sub> (V<sub>COM\_</sub> / V<sub>NO\_</sub>), V<sub>COM\_</sub> = output, V<sub>NO\_</sub> = input to off switch.

**Note 8:** Between any two switches.

# Low-Voltage, Quad, SPST CMOS Analog Switches

## Typical Operating Characteristics

( $T_A = +25^\circ\text{C}$ , unless otherwise noted.)



# Low-Voltage, Quad, SPST CMOS Analog Switches

## Pin Description

| PIN           |              |              |              |              |              | NAME      | FUNCTION   |
|---------------|--------------|--------------|--------------|--------------|--------------|-----------|--|
| MAX4610       |              | MAX4611      |              | MAX4612      |              |           |  |
| TSSOP/SO/ DIP | QFN          | TSSOP/SO/DIP | QFN          | TSSOP/SO/DIP | QFN          |           |  |
| 1, 3, 8, 11   | 1, 3, 8, 11  | —            | —            | —            | —            | NO1–NO4   | Analog Switch Normally Open Terminals  |
| —             | —            | 1, 3, 8, 11  | 1, 3, 8, 11  | —            | —            | NC1–NC4   | Analog Switch Normally Closed Terminals  |
| —             | —            | —            | —            | 1, 8         | 1, 8         | NO1, NO3  | Analog Switch Normally Open Terminals  |
| —             | —            | —            | —            | 3, 11        | 3, 11        | NC2, NC4  | Analog Switch Normally Closed Terminals  |
| 2, 4, 9, 10   | 2, 4, 9, 10  | 2, 4, 9, 10  | 2, 4, 9, 10  | 2, 4, 9, 10  | 2, 4, 9, 10  | COM1–COM4 | Analog Switch Common Terminals   |
| 13, 5, 6, 12  | 14, 5, 6, 13 | 13, 5, 6, 12 | 14, 5, 6, 13 | 13, 5, 6, 12 | 14, 5, 6, 13 | IN1–IN4   | Logic-Control Digital Input  |
| 7             | 7            | 7            | 7            | 7            | 7            | GND       | Ground. Connect to digital ground.   |
| —             | 12, 15       | —            | 12, 15       | —            | 12, 15       | N.C.      | No Connection. Not internally connected.   |
| 14            | 16           | 14           | 16           | 14           | 16           | V+        | Positive Analog and Digital-Supply Voltage Input. Internally connected to substrate. |
| —             | —            | —            | —            | —            | —            | EP        | Exposed Pad (QFN only). Connect to V+.   |

MAX4610/MAX4611/MAX4612

## Applications Information

### Power-Supply Sequencing and Overvoltage Protection

Do not exceed the absolute maximum ratings, because stresses beyond the listed ratings may cause permanent damage to the devices.

Proper power-supply sequencing is recommended for all CMOS devices. Always apply V+ before applying analog signals or logic inputs, especially if the analog or logic signals are not current limited. If this sequencing is not possible, and if the analog or logic inputs are not current limited to 20mA, add a small-signal diode (D1) as shown in Figure 1. If the analog signal can dip below GND, add D2. Adding protection diodes reduces the analog signal range to a diode drop (about 0.7V) below V+ (for D1), and to a diode drop above ground (for D2). Leakage is unaffected by adding the diodes. On-resistance increases by a small amount at low supply voltages. Maximum supply voltage (V+) must not exceed 13V.

Adding protection diodes causes the logic thresholds to be shifted relative to the power-supply rails. This can be

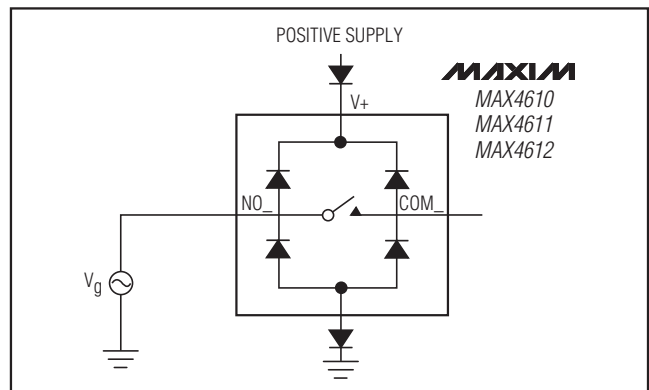


Figure 1. Overvoltage Protection Using Two External Blocking Diodes

significant when low supply voltages (+5V or less) are used. With a +5V supply, TTL compatibility is not guaranteed when protection diodes are added. Driving IN1 and IN2 all the way to the supply rails (i.e., to a diode drop higher than the V+ pin, or to a diode drop lower than the GND pin) is always acceptable.

# Low-Voltage, Quad, SPST CMOS Analog Switches

Protection diodes D1 and D2 also protect against some overvoltage situations. With Figure 1's circuit, if the supply voltage is below the absolute maximum rating, and if a fault voltage up to the absolute maximum rating is applied to an analog signal pin, no damage will result.

## Operating Considerations for High-Voltage Supply

The MAX4610/MAX4611/MAX4612 are pin-compatible with the industry-standard 74HC4066 and the MAX4066, and are optimized for +5V single-supply operation. The MAX4610 family is capable of +12V

single-supply operation with some precautions. The absolute maximum rating for V+ is +13.2V (referenced to GND). When operating near this region, bypass V+ with a minimum 0.1µF capacitor to ground as close to the IC as possible.

**Caution: The absolute maximum V+ to V- differential voltage is 13.0V. Typical ±6V or 12V supplies with ±10% tolerances can be as high as 13.2V. This voltage can damage the MAX4610/MAX4611/MAX4612. Even ±5% tolerance supplies may have overshoot or noise spikes that exceed 13.0V.**

## Test Circuits/Timing Diagrams

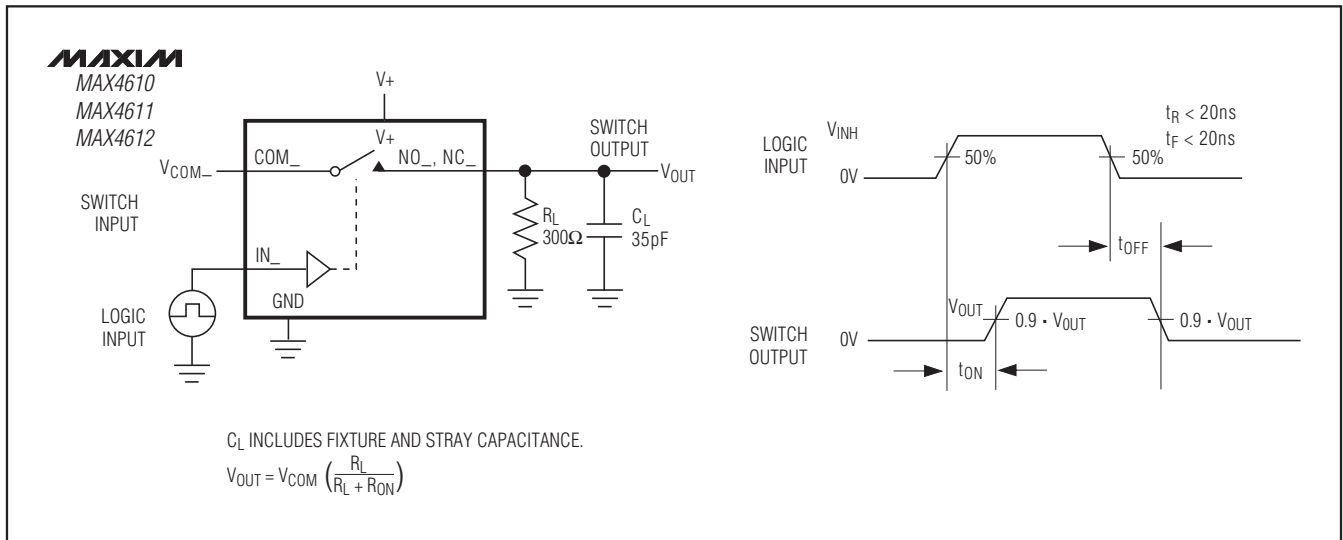


Figure 2. Switching Time

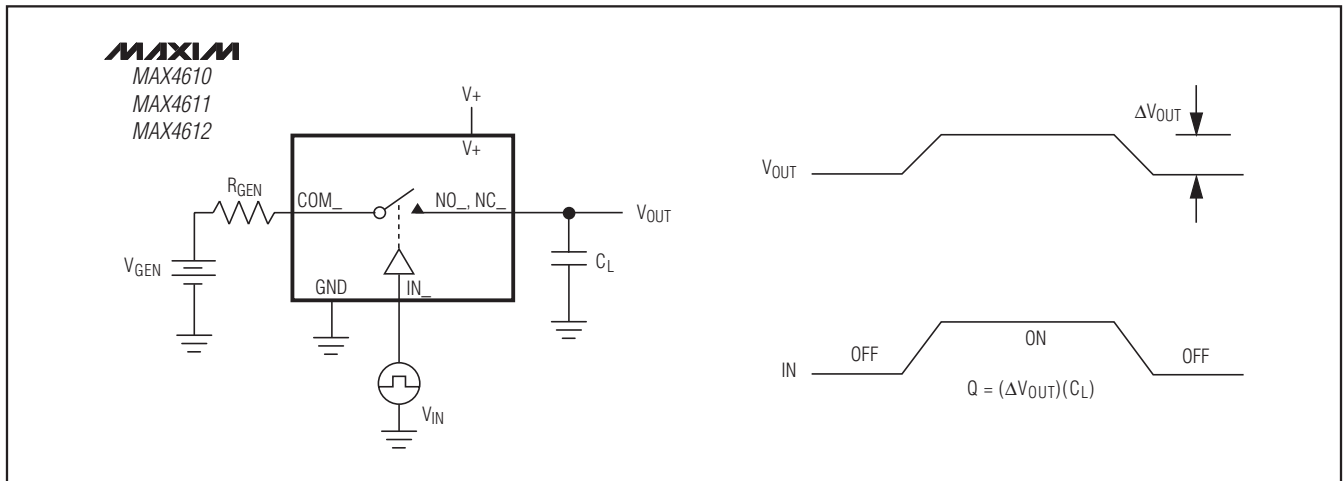


Figure 3. Charge Injection



# Low-Voltage, Quad, SPST CMOS Analog Switches

## Test Circuits/Timing Diagrams (continued)

MAX4610/MAX4611/MAX4612

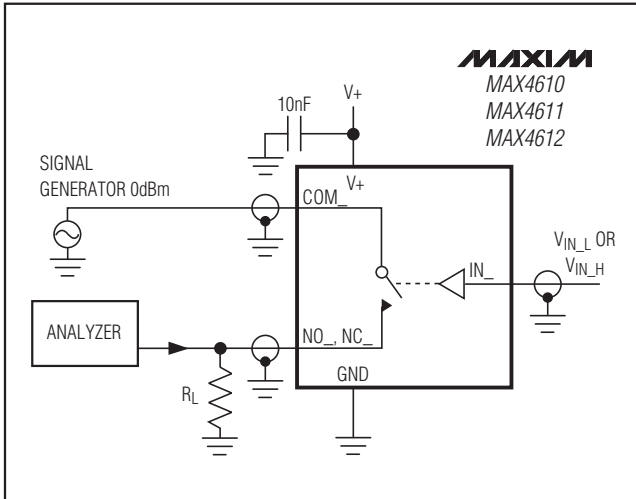


Figure 4. Off-Isolation/On-Channel Bandwidth

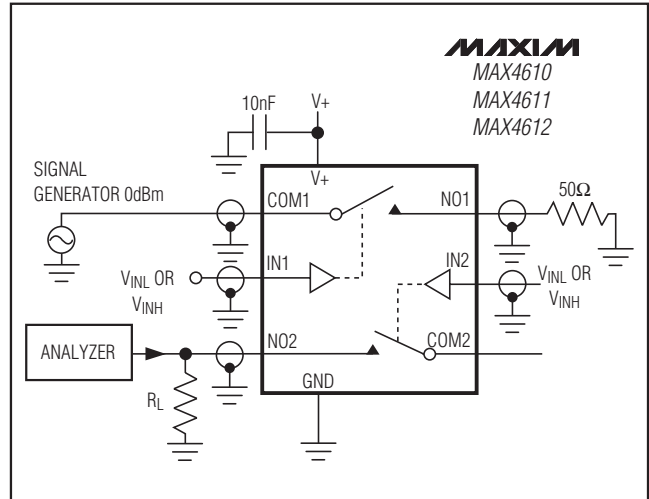


Figure 5. Crosstalk

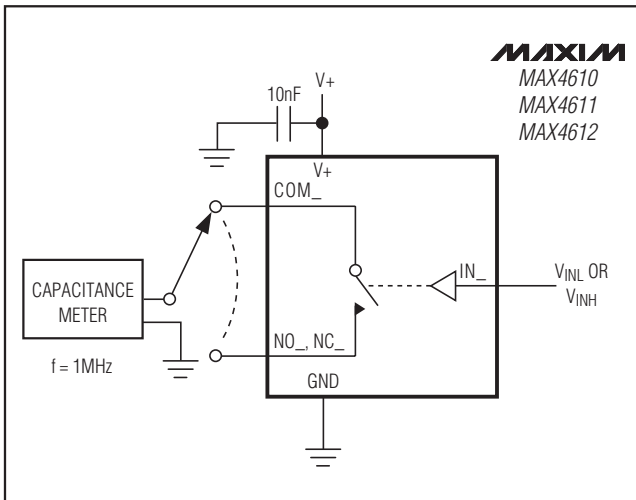


Figure 6. Channel Off/On-Capacitance

## Ordering Information (continued)

| PART                | TEMP RANGE      | PIN-PACKAGE    |
|---------------------|-----------------|----------------|
| <b>MAX4611</b> CUD+ | 0°C to +70°C    | 14 TSSOP       |
| MAX4611CSD+         | 0°C to +70°C    | 14 Narrow SO   |
| MAX4611CPD+         | 0°C to +70°C    | 14 Plastic DIP |
| MAX4611C/D+         | 0°C to +70°C    | Dice*          |
| MAX4611EGE+         | -40°C to +85°C  | 16 QFN-EP**    |
| MAX4611EUD+         | -40°C to +85°C  | 14 TSSOP       |
| MAX4611ESD+         | -40°C to +85°C  | 14 Narrow SO   |
| MAX4611EPD+         | -40°C to +85°C  | 14 Plastic DIP |
| MAX4611AUD+         | -40°C to +85°C  | 14 TSSOP       |
| MAX4611ASD+         | -40°C to +85°C  | 14 Narrow SO   |
| <b>MAX4612</b> CUD+ | 0°C to +70°C    | 14 TSSOP       |
| MAX4612CSD+         | 0°C to +70°C    | 14 Narrow SO   |
| MAX4612CPD+         | 0°C to +70°C    | 14 Plastic DIP |
| MAX4612C/D+         | 0°C to +70°C    | Dice*          |
| MAX4612EUD+         | -40°C to +85°C  | 14 TSSOP       |
| MAX4612ESD+         | -40°C to +85°C  | 14 Narrow SO   |
| MAX4612EGE+         | -40°C to +85°C  | 16 QFN-EP**    |
| MAX4612EPD+         | -40°C to +85°C  | 14 Plastic DIP |
| MAX4612AUD+         | -40°C to +125°C | 14 TSSOP       |
| MAX4612ASD+         | -40°C to +125°C | 14 Narrow SO   |

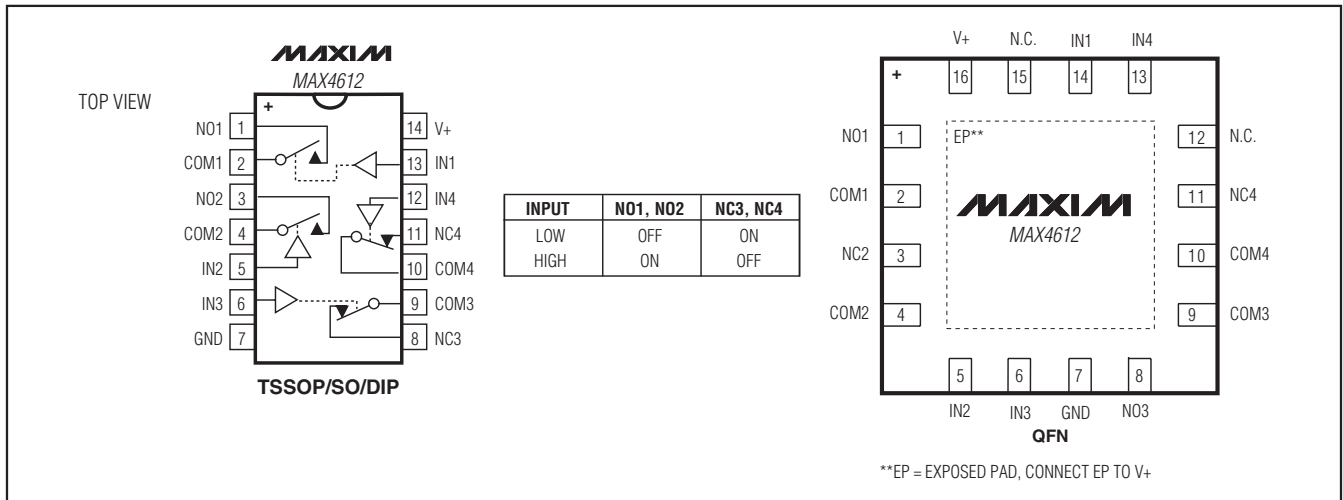
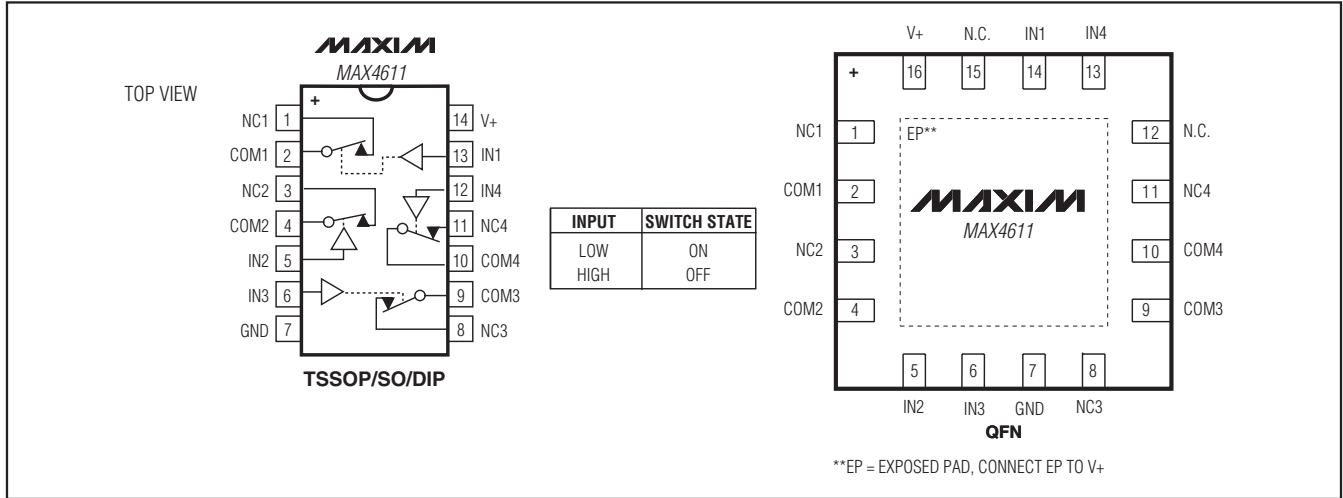
\*Contact factory for dice specifications.

\*\*EP = Exposed pad.

+Denotes a lead(Pb)-free/RoHS-compliant package.

# Low-Voltage, Quad, SPST CMOS Analog Switches

## Pin Configurations/Truth Tables (continued)



## Package Information

For the latest package outline information, go to [www.maxim-ic.com/packages](http://www.maxim-ic.com/packages).

| PACKAGE TYPE | PACKAGE CODE | DOCUMENT NO.            |
|--------------|--------------|-------------------------|
| 14 TSSOP     | U14+1        | <a href="#">21-0066</a> |
| 14 Narrow SO | S14+2        | <a href="#">21-0041</a> |
| 14 PDIP      | P14+6        | <a href="#">21-0043</a> |
| 16 QFN       | G1644-1      | <a href="#">21-0091</a> |

# Low-Voltage, Quad, SPST CMOS Analog Switches

## Revision History

| REVISION NUMBER | REVISION DATE | DESCRIPTION   | PAGES CHANGED |
|-----------------|---------------|---|---------------|
| 0               | 1/99          | —   | —             |
| 6               | 5/09          | Added lead-free packaging and added changes to EC table | 1-4, 7, 9-13  |

Maxim cannot assume responsibility for use of any circuitry other than circuitry entirely embodied in a Maxim product. No circuit patent licenses are implied. Maxim reserves the right to change the circuitry and specifications without notice at any time.

**Maxim Integrated Products, 120 San Gabriel Drive, Sunnyvale, CA 94086 408-737-7600** \_\_\_\_\_ 11

Компания «Океан Электроники» предлагает заключение долгосрочных отношений при поставках импортных электронных компонентов на взаимовыгодных условиях!

Наши преимущества:

- Поставка оригинальных импортных электронных компонентов напрямую с производств Америки, Европы и Азии, а так же с крупнейших складов мира;
- Широкая линейка поставок активных и пассивных импортных электронных компонентов (более 30 млн. наименований);
- Поставка сложных, дефицитных, либо снятых с производства позиций;
- Оперативные сроки поставки под заказ (от 5 рабочих дней);
- Экспресс доставка в любую точку России;
- Помощь Конструкторского Отдела и консультации квалифицированных инженеров;
- Техническая поддержка проекта, помощь в подборе аналогов, поставка прототипов;
- Поставка электронных компонентов под контролем ВП;
- Система менеджмента качества сертифицирована по Международному стандарту ISO 9001;
- При необходимости вся продукция военного и аэрокосмического назначения проходит испытания и сертификацию в лаборатории (по согласованию с заказчиком);
- Поставка специализированных компонентов военного и аэрокосмического уровня качества (Xilinx, Altera, Analog Devices, Intersil, Interpoint, Microsemi, Actel, Aeroflex, Peregrine, VPT, Syfer, Eurofarad, Texas Instruments, MS Kennedy, Miteq, Cobham, E2V, MA-COM, Hittite, Mini-Circuits, General Dynamics и др.);

Компания «Океан Электроники» является официальным дистрибьютором и эксклюзивным представителем в России одного из крупнейших производителей разъемов военного и аэрокосмического назначения «JONHON», а так же официальным дистрибьютором и эксклюзивным представителем в России производителя высокотехнологичных и надежных решений для передачи СВЧ сигналов «FORSTAR».



## JONHON

«JONHON» (основан в 1970 г.)

Разъемы специального, военного и аэрокосмического назначения:

(Применяются в военной, авиационной, аэрокосмической, морской, железнодорожной, горно- и нефтедобывающей отраслях промышленности)

«FORSTAR» (основан в 1998 г.)

ВЧ соединители, коаксиальные кабели,  
кабельные сборки и микроволновые компоненты:

(Применяются в телекоммуникациях гражданского и специального назначения, в средствах связи, РЛС, а так же военной, авиационной и аэрокосмической отраслях промышленности).



Телефон: 8 (812) 309-75-97 (многоканальный)

Факс: 8 (812) 320-03-32

Электронная почта: [ocean@oceanchips.ru](mailto:ocean@oceanchips.ru)

Web: <http://oceanchips.ru/>

Адрес: 198099, г. Санкт-Петербург, ул. Калинина, д. 2, корп. 4, лит. А