



# Honeywell Zephyr™ Analog Airflow Sensors

**HAF Series—High Accuracy**  
±50 SCCM to ±750 SCCM



# Honeywell Zephyr™ Analog Airflow Sensors

## HAF Series - High Accuracy

Honeywell Zephyr™ HAF Series sensors provide an analog interface for reading airflow over specified full-scale flow and compensated temperature ranges. The thermally isolated heater and temperature sensing elements help these sensors provide a fast response to air or gas flow.

Zephyr sensors are designed to measure mass flow of air and other non-corrosive gases. Standard flow ranges are available at  $\pm 50$ ,  $\pm 100$ ,  $\pm 200$ ,  $\pm 400$  or  $\pm 750$  SCCM. Custom flow ranges are also available. The sensors are fully calibrated and temperature compensated with an onboard Application Specific Integrated Circuit (ASIC).

The HAF Series is compensated over the temperature range of 0 °C to 50 °C [32 °F to 122 °F] and operates across a temperature range of -20 °C to 70 °C [-4 °F to 158 °F]. The state-of-the-art ASIC-based compensation provides analog outputs with a response time of 1 ms.

These sensors operate on the heat transfer principle to measure mass airflow. They consist of a microbridge Microelectronic and Microelectromechanical System (MEMS) with temperature-sensitive resistors deposited with thin films of platinum and silicon nitride. The MEMS sensing die is located in a precise and carefully designed airflow channel to provide repeatable response to flow.

Zephyr sensors provide the customer with enhanced reliability, high accuracy, repeatable measurements and the ability to customize sensor options to meet many specific application needs. The combination of rugged housings with a stable substrate makes these products extremely robust. They are designed and manufactured according to ISO 9001 standards

### *What makes our sensors better?*

- **Fast response time**
- **Wide range of airflows**
- **Customizable flow ranges and configurable package styles**
- **Linear output**
- **High stability**
- **Low pressure drop**



TIGHT TOTAL ERROR BAND • FAST RESPONSE TIME • WIDE RANGE OF AIRFLOWS

# Features and Benefits

## **FAST RESPONSE TIME\***

Allows a customer's application to respond quickly to airflow change, important in critical medical (e.g., anesthesia) and industrial (e.g., fume hood) applications.

## **WIDE RANGE OF AIRFLOWS\***

Zephyr measures mass flow at standard flow ranges of  $\pm 50$ ,  $\pm 100$ ,  $\pm 200$ ,  $\pm 400$  or  $\pm 750$  SCCM, or custom flow ranges, increasing the options for integrating the sensor into the application.

## **CUSTOMIZABLE FLOW RANGES AND CONFIGURABLE PACKAGE STYLES\***

Meet specific end-user needs.

## **FULL CALIBRATION AND TEMPERATURE COMPENSATION**

Typically allow customer to remove additional components associated with signal conditioning from the PCB, reducing PCB size as well as costs often associated with those components (e.g., acquisition, inventory, assembly).

## **LINEAR OUTPUT\***

Provides more intuitive sensor signal than the raw output of basic airflow sensors, which can help reduce production costs, design, and implementation time.

## **LOW PRESSURE DROP\***

Typically improves patient comfort in medical applications, and reduces noise and system wear on other components such as motors and pumps.

## **0.049 %FS RESOLUTION**

Increases ability to sense small airflow changes, allowing customers to more precisely control their application.

## **LOW 3.3 VDC OPERATING VOLTAGE OPTION AND LOW POWER CONSUMPTION**

Allow for use in battery-driven and other portable applications.

## **SMALL SIZE**

Occupies less space on PCB, allowing easier fit and potentially reducing production costs; PCB size may also be reduced for easier fit into space-constrained applications.

## **ROHS-COMPLIANT MATERIALS**

Meet Directive 2002/95/EC.

# Potential Applications



## MEDICAL

---

- ANESTHESIA DELIVERY MACHINES**
- VENTRICULAR ASSIST DEVICES (HEART PUMPS)**
- NEBULIZERS**
- OXYGEN CONCENTRATORS**
- PATIENT MONITORING SYSTEMS (RESPIRATORY MONITORING)**
- SLEEP APNEA MACHINES**
- SPIROMETERS**
- VENTILATORS**
- LAPAROSCOPY**



## INDUSTRIAL

---

- AIR-TO-FUEL RATIO**
- FUEL CELLS**
- GAS LEAK DETECTION**
- VAV SYSTEM ON HVAC SYSTEMS**
- GAS METERS**
- HVAC FILTERS**



# ±50 SCCM to ±750 SCCM

**Table 1. Absolute Maximum Ratings<sup>1</sup>**

| Characteristic               | Parameter                           |
|------------------------------|-------------------------------------|
| Supply voltage               | -0.3 Vdc to 6.0 Vdc                 |
| Voltage on I/O output pin    | -0.3 Vdc to Vsupply                 |
| Storage temperature range    | -40 °C to 125 °C [-40 °F to 257 °F] |
| Maximum flow change          | 5.0 SLPM/s                          |
| Maximum common mode pressure | 25 psi at 25 °C [77 °F]             |
| Maximum flow                 | 10 SLPM                             |

<sup>1</sup>Absolute maximum ratings are the extreme limits that the device will withstand without damage to the device. However, the electrical and mechanical characteristics are not guaranteed as the maximum limits (above recommended operating conditions) are approached, nor will the device necessarily operate at absolute maximum ratings.

## CAUTION

### IMPROPER USE

Do not use these products to sense liquid flow

**Failure to comply with these instructions may result in product damage.**

## CAUTION

### PRODUCT DAMAGE

Do not disassemble these products.

**Failure to comply with these instructions may result in product damage.**

**Table 2. Operating Specifications**

| Characteristic                       | Parameter  | Note |
|--------------------------------------|--|------|
| Supply voltage<br>3.3 Vdc<br>5.0 Vdc | 3.3 Vdc ±10%<br>5.0 Vdc ±10%                                       | –    |
| Power:<br>3.3 Vdc<br>5.0 Vdc         | 40 mW max.<br>65 mW max.   | 1    |
| Compensated temperature range        | 0 °C to 50 °C [32 °F to 122 °F]                                    | 2    |
| Operating temperature range          | -20 °C to 70 °C [-4 °F to 158 °F]                                  |      |
| Accuracy                             | See Table 3.   | 3, 4 |
| Total Error Band (TEB)               | See Table 3.   | 4, 5 |
| Null accuracy                        | ±0.1 %FSS  | 4, 6 |
| Response time                        | 1 ms typ.  | 7    |
| Resolution                           | 12 bit   | –    |
| Warm-up time                         | 15 ms  | 8    |
| Calibration media                    | gaseous nitrogen   | 9    |
| Null stability                       | ±0.06 %FSS max. deviation from null output after 1000 hrs at 25 °C | –    |
| Reverse polarity protection          | no   | –    |

<sup>1</sup>Maximum power: Is measured under the conditions of the highest supply voltage, Vsupply + 10%, 70 °C, full scale flow and with the minimum load specified for that supply voltage.

<sup>2</sup>Custom and extended compensated temperature ranges are possible. Contact Honeywell for details.

<sup>3</sup>Accuracy: The maximum deviation from the nominal output over the compensated flow range at a reference temperature of 25 °C. Errors include offset, span, non-linearity, hysteresis and non-repeatability.

<sup>4</sup>Full Scale Span (FSS): The algebraic difference between the output at the forward Full Scale (FS) flow and the output at the reverse FS flow. Forward flow is defined as flow from P1 to P2 as shown in Figure 9. The references to mass flow (SCCM) refer to gas flows at the standard conditions of 0 °C and atmospheric pressure 760 (101.3 kPa).

<sup>5</sup>Total Error Band: The maximum deviation in output from the ideal transfer function over the entire compensated temperature and flow range. Includes all errors due to offset, full scale span, flow hysteresis, flow repeatability, thermal effect on offset, thermal effect on span and thermal hysteresis.

<sup>6</sup>Null accuracy: The maximum deviation in output at 0 SCCM from the ideal transfer function over the compensated temperature range. This includes offset errors, thermal airflow hysteresis and repeatability errors.

<sup>7</sup>Response time: The time to electrically respond to any mass flow change at the microbridge airflow transducer (response time of the transducer may be affected by the pneumatic interface).

<sup>8</sup>Warm-up time: The time to the first valid flow measurement after power is applied.

<sup>9</sup>Default calibration media is dry nitrogen gas. Please contact Honeywell for other calibration options.

# Honeywell Zephyr™ Analog Airflow Sensors

## HAF Series–High Accuracy

Table 3. Bidirectional Forward Flow Optimization

| Sensor Range (SCCM) | Accuracy Error Band |               | Total Error Band    |               |
|---------------------|---------------------|---------------|---------------------|---------------|
|                     | Applied Flow (SCCM) | Error (%FSS)  | Applied Flow (SCCM) | Error (%FSS)  |
| ±50                 | -50 to -14.3        | ±7% reading   | -50 to -11.3        | ±9% reading   |
|                     | -14.3 to 0          | ±1            | -11.1 to 0          | ±1            |
|                     | 0                   | ±0.32         | 0                   | ±0.32         |
|                     | 0 to 20             | ±1            | 0 to 11.1           | ±1            |
|                     | 20 to 50            | ±5% reading   | 11.1 to 50          | ±9% reading   |
| ±100                | -100 to -11.1       | ±9% reading   | -100 to -8.3        | ±12% reading  |
|                     | -11.1 to 0          | ±0.5          | -8.3 to 0           | ±0.5          |
|                     | 0                   | ±0.16         | 0                   | ±0.16         |
|                     | 0 to 16.7           | ±0.5          | 0 to 16.7           | ±0.5          |
|                     | 16.7 to 100         | ±6% reading   | 16.7 to 100         | ±6% reading   |
| ±200 <sup>1</sup>   | -200 to -6.7        | ±15% reading  | -200 to -6.7        | ±15% reading  |
|                     | -6.7 to -0          | ±0.25         | -6.7 to -0          | ±0.25         |
|                     | 0                   | ±0.1          | 0                   | ±0.1          |
|                     | 0 to 40             | ±0.25         | 0 to 22.2           | ±0.25         |
|                     | 40 to 200           | ±2.5% reading | 22.2 to 200         | ±4.5% reading |
| ±400                | -400 to -32         | ±10% reading  | -400 to -32         | ±12% reading  |
|                     | -32 to -0           | ±0.4          | -32 to -0           | ±0.45         |
|                     | 0                   | ±0.1          | 0                   | ±0.1          |
|                     | 0 to 80             | ±0.4          | 0 to 60             | ±0.45         |
|                     | 80 to 400           | ±4.0% reading | 60 to 400           | ±6% reading   |
| ±750                | -750 to -25         | ±15% reading  | -750 to -25         | ±15% reading  |
|                     | -25 to -0           | ±0.25         | -25 to -0           | ±0.25         |
|                     | 0                   | ±0.1          | 0                   | ±0.1          |
|                     | 0 to 37.5           | ±0.25         | 0 to 37.5           | ±0.25         |
|                     | 37.5 to 750         | ±10% reading  | 37.5 to 750         | ±10% reading  |

<sup>1</sup>The short port sensors are only specified down to -100 SCCM.

# ±50 SCCM to ±750 SCCM

**Table 4. Suggested Load**

| Characteristic                                       | Parameter          |
|--|--------------------|
| Minimum suggested resistance:<br>3.3 Vdc<br>5.0 Vdc  | 3.3 kOhm<br>5 kOhm |
| Maximum suggested capacitance:<br>3.3 Vdc<br>5.0 Vdc | 10 nF<br>10 nF     |

## CAUTION

### LARGE PARTICULATE DAMAGE

Use a 5-micron filter upstream of the sensor to keep media flow through the sensor free of condensing moisture and particulates. Large, high-velocity particles or conductive particles may damage the sensing element.

**Failure to comply with these instructions may result in product damage.**

**Table 5. Environmental Characteristics**

| Characteristic | Parameter                    |
|----------------|------------------------------|
| Humidity       | 0% to 95% RH, non-condensing |
| Shock          | 100 g, 11 ms                 |
| Vibration      | 15 g at 20 Hz to 2000 Hz     |
| ESD            | Class 3B per MIL-STD 883G    |

**Table 6. Wetted Materials**

| Characteristic        | Parameter                |
|-----------------------|--------------------------|
| Covers                | high temperature polymer |
| Substrate             | PCB                      |
| Adhesives             | epoxy                    |
| Electronic components | silicon, gold            |
| Compliance            | RoHS, WEEE               |

**Table 7. Recommended Mounting and Implementation**

| Characteristic   | Parameter  |
|--|--|
| Mounting screw:<br>size<br>torque                      | 5-40<br>0,68 N m [6 in-lb]   |
| Silicon tubing for long port style                     | 70 durometer; size 0.125 in inside diameter, 0.250 in outside diameter silicone tubing |
| O-ring:<br>for short port style<br>for long port style | AS568A, Size 7, Silicone, Shore A 70<br>AS568A, Size 10, Silicone, Shore A 70          |
| Filter   | 5-micron filter upstream of the sensor   |

**Figure 2. Nominal Analog Output**



# Honeywell Zephyr™ Analog Airflow Sensors

## HAF Series—High Accuracy

Figure 3. Ideal Transfer Function

$$V_o = V_s \left\{ 0.5 + 0.4 \frac{F_A}{F_{FS}} \right\}$$

$$F_A = \frac{F_{FS} (V_o / V_s - 0.5)}{0.4}$$

Where:

$V_o$  = output voltage of the device

$V_s$  = supply voltage measured at the device

$F_A$  = flow applied across the device

$F_{FS}$  = full scale flow specified for the device

Figure 4. Nomenclature and Order Guide

For example, a **HAFBLF0200CAAX5** part number defines a Honeywell Zephyr™ Analog Airflow Sensor, bidirectional forward flow optimized, long port, fastener mount, 200 SCCM, analog output, 10% to 90% transfer function, 5.0 Vdc supply voltage.

| <b>HAF</b>                                     | <b>B</b>                                      | <b>L</b>                        | <b>F</b>                         | <b>0200</b>                          | <b>C</b>      | <b>A</b>        | <b>A</b>                                       | <b>X</b>                | <b>5</b>         |
|--|---|---------------------------------|----------------------------------|--------------------------------------|---------------|-----------------|--|-------------------------|------------------|
| Product Series                                 | Flow Direction                                | Port Style                      | Housing Style                    | Flow Range <sup>2</sup>              | Unit          | Output Format   | Transfer Function                              | Reserved for Future Use | Supply Voltage   |
| <b>HAF</b> Series High Accuracy Airflow Sensor | <b>B</b> Bidirectional forward flow optimized | <b>L</b> Long port <sup>1</sup> | <b>F</b> Fastener mount          | <b>0050</b> 50 long port style only  | <b>C</b> SCCM | <b>A</b> Analog | <b>A</b> 10% to 90% of Full Scale Output (FSO) | <b>X</b> XXXXX          | <b>3</b> 3.3 Vdc |
|  | <b>S</b> Bidirectional symmetric              | <b>S</b> Short port             | <b>S</b> Snap mount <sup>1</sup> | <b>0100</b> 100 long port style only |               |                 |  |                         | <b>5</b> 5.0 Vdc |
|  |   |                                 |                                  | <b>0200</b> 200 long or short port   |               |                 |  |                         |                  |
|  |   |                                 |                                  | <b>0400</b> 400 long port style only |               |                 |  |                         |                  |
|  |   |                                 |                                  | <b>0750</b> 750 long port style only |               |                 |  |                         |                  |

<sup>1</sup>The Long Port Port Style with the Snap Mount Housing Style is not a valid configuration.

<sup>2</sup>The 200 SCCM Flow Range is available in the Long and Short Port Styles.

Apart from the general configuration required, other customer-specific requirements are also possible. Please contact Honeywell.

Figure 5. All Available Standard Configurations

**LF:** Long port, fastener mount



**SF:** Short port, fastener mount



**SS:** Short port, snap mount





# ±50 SCCM to ±750 SCCM

Figure 6. Wave Solder Profile



Figure 7. Long Port Style Flow vs Pressure



| Flow (SCCM) | Typical Pressure Drop |                    |        |
|-------------|-----------------------|--------------------|--------|
|             | mbar                  | inH <sub>2</sub> O | Pa     |
| -750        | -0.2517               | -0.1011            | -25.17 |
| -550        | -0.1499               | -0.0602            | -14.99 |
| -400        | -0.0891               | -0.0358            | -8.91  |
| -300        | -0.0578               | -0.0232            | -5.78  |
| -200        | -0.0321               | -0.0129            | -3.21  |
| -100        | -0.0114               | -0.0046            | -1.14  |
| -50         | -0.0035               | -0.0014            | -0.35  |
| -20         | -0.0007               | -0.0003            | -0.07  |
| 0           | 0.0000                | 0.0000             | 0.0000 |
| 20          | 0.0007                | 0.0003             | 0.07   |
| 50          | 0.0035                | 0.0014             | 0.35   |
| 100         | 0.0114                | 0.0046             | 1.14   |
| 200         | 0.0321                | 0.0129             | 3.21   |
| 300         | 0.0578                | 0.0232             | 5.78   |
| 400         | 0.0891                | 0.0358             | 8.91   |
| 550         | 0.1499                | 0.0602             | 14.99  |
| 750         | 0.2517                | 0.1011             | 25.17  |

Figure 8. Short Port Style Flow vs Pressure



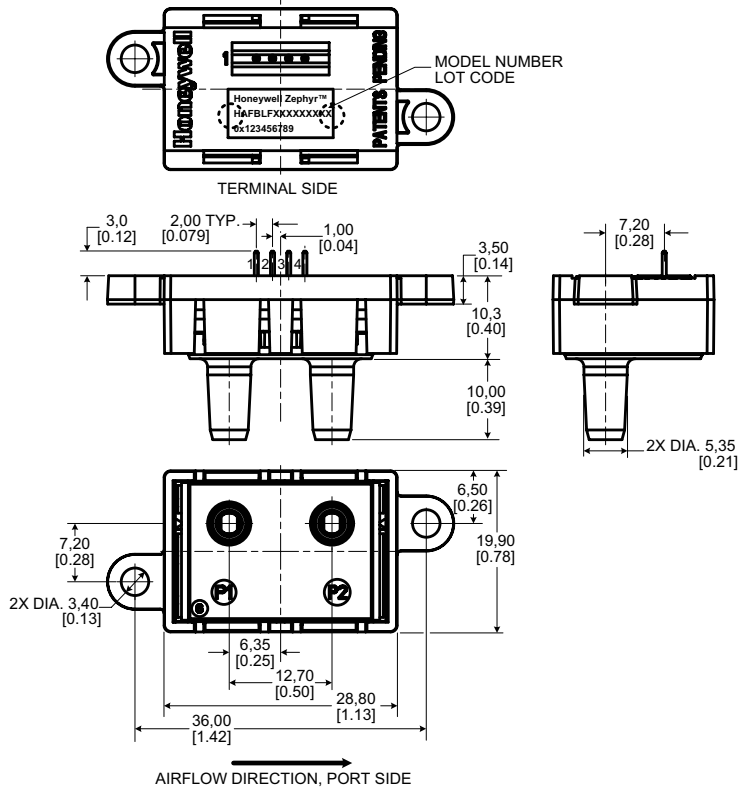
| Flow (SCCM) | Typical Pressure Drop |                    |         |
|-------------|-----------------------|--------------------|---------|
|             | mbar                  | inH <sub>2</sub> O | Pa      |
| -200        | -1.1707               | -0.470             | -117.07 |
| -150        | -0.7074               | -0.284             | -70.74  |
| -100        | -0.3562               | -0.143             | -35.62  |
| -50         | -0.1120               | -0.045             | -11.20  |
| 0           | 0.0000                | 0.0000             | 0.0000  |
| 50          | 0.1196                | 0.048              | 11.96   |
| 100         | 0.3462                | 0.139              | 34.62   |
| 150         | 0.7149                | 0.287              | 71.49   |
| 200         | 1.2589                | 0.452              | 125.89  |

# Honeywell Zephyr™ Analog Airflow Sensors

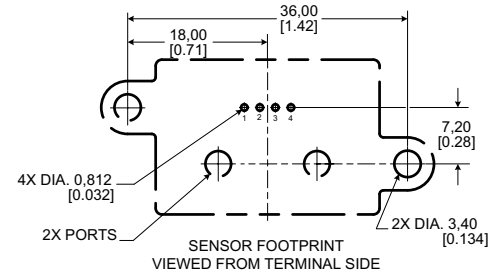
## HAF Series—High Accuracy

Figure 9. Mounting Dimensions (For reference only: mm [in.])

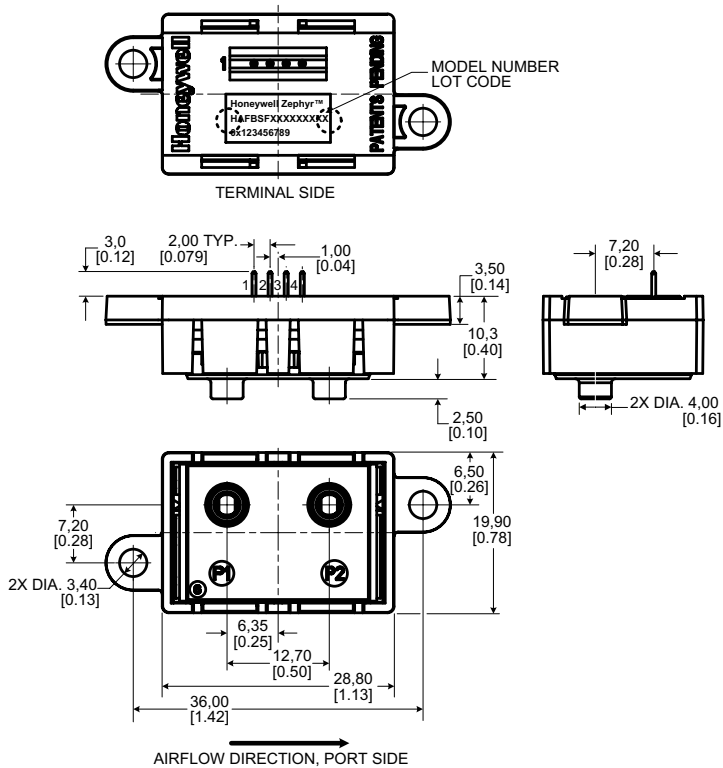
### LF: Long port, fastener mount



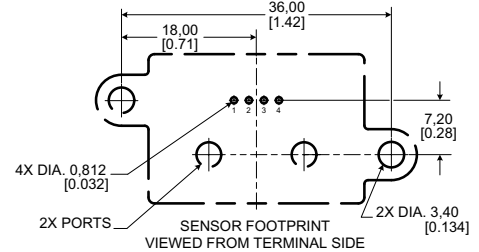
### Mounting Footprint



### SF: Short port, fastener mount



### Mounting Footprint



# ±50 SCCM to ±750 SCCM

Figure 9. Mounting Dimensions (For reference only: mm [in], continued.)

## SS: Short port, snap mount

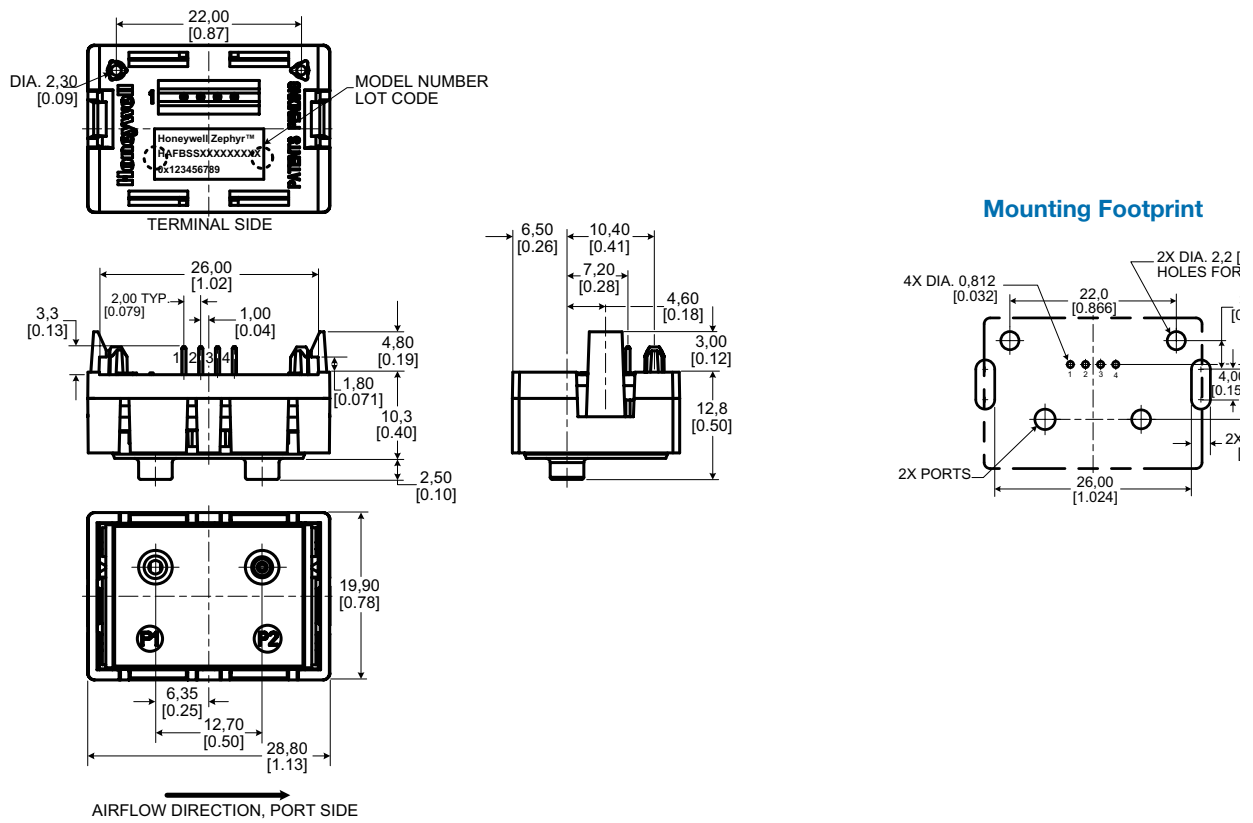


Table 8. Pinout

| Pin 1 | Pin 2   | Pin 3  | Pin 4 |
|-------|---------|--------|-------|
| Vout  | Vsupply | ground | NC    |

## ADDITIONAL INFORMATION

The following associated literature is available at [sensing.honeywell.com](http://sensing.honeywell.com):

- Product line guide
- Product part listing/nomenclature tree
- Product range guide
- Technical Information:
  - Gas Media Compatibility and Correction Factors
- Installation Instructions
- Application specific information

### Find out more

Honeywell serves its customers through a worldwide network of sales offices, representatives and distributors. For application assistance, current specifications, pricing or name of the nearest Authorized Distributor, contact your local sales office.

To learn more about Honeywell's sensing and control products, call **+1-815-235-6847** or **1-800-537-6945**, visit **[sensing.honeywell.com](http://sensing.honeywell.com)**, or e-mail inquiries to **[info.sc@honeywell.com](mailto:info.sc@honeywell.com)**

Sensing and Control  
Honeywell  
1985 Douglas Drive North  
Golden Valley, MN 55422  
**[honeywell.com](http://honeywell.com)**

### **⚠ WARNING**

#### **PERSONAL INJURY**

**DO NOT USE** these products as safety or emergency stop devices or in any other application where failure of the product could result in personal injury.

**Failure to comply with these instructions could result in death or serious injury.**

### **⚠ WARNING**

#### **MISUSE OF DOCUMENTATION**

- The information presented in this product sheet is for reference only. Do not use this document as a product installation guide.
- Complete installation, operation, and maintenance information is provided in the instructions supplied with each product.

**Failure to comply with these instructions could result in death or serious injury.**

## WARRANTY/REMEDY

Honeywell warrants goods of its manufacture as being free of defective materials and faulty workmanship. Honeywell's standard product warranty applies unless agreed to otherwise by Honeywell in writing; please refer to your order acknowledgement or consult your local sales office for specific warranty details. If warranted goods are returned to Honeywell during the period of coverage, Honeywell will repair or replace, at its option, without charge those items it finds defective. **The foregoing is buyer's sole remedy and is in lieu of all other warranties, expressed or implied, including those of merchantability and fitness for a particular purpose. In no event shall Honeywell be liable for consequential, special, or indirect damages.**

While we provide application assistance personally, through our literature and the Honeywell website, it is up to the customer to determine the suitability of the product in the application.

Specifications may change without notice. The information we supply is believed to be accurate and reliable as of this issue; however, we assume no responsibility for its use.

# Honeywell

Компания «Океан Электроники» предлагает заключение долгосрочных отношений при поставках импортных электронных компонентов на взаимовыгодных условиях!

Наши преимущества:

- Поставка оригинальных импортных электронных компонентов напрямую с производств Америки, Европы и Азии, а так же с крупнейших складов мира;
- Широкая линейка поставок активных и пассивных импортных электронных компонентов (более 30 млн. наименований);
- Поставка сложных, дефицитных, либо снятых с производства позиций;
- Оперативные сроки поставки под заказ (от 5 рабочих дней);
- Экспресс доставка в любую точку России;
- Помощь Конструкторского Отдела и консультации квалифицированных инженеров;
- Техническая поддержка проекта, помощь в подборе аналогов, поставка прототипов;
- Поставка электронных компонентов под контролем ВП;
- Система менеджмента качества сертифицирована по Международному стандарту ISO 9001;
- При необходимости вся продукция военного и аэрокосмического назначения проходит испытания и сертификацию в лаборатории (по согласованию с заказчиком);
- Поставка специализированных компонентов военного и аэрокосмического уровня качества (Xilinx, Altera, Analog Devices, Intersil, Interpoint, Microsemi, Actel, Aeroflex, Peregrine, VPT, Syfer, Eurofarad, Texas Instruments, MS Kennedy, Miteq, Cobham, E2V, MA-COM, Hittite, Mini-Circuits, General Dynamics и др.);

Компания «Океан Электроники» является официальным дистрибьютором и эксклюзивным представителем в России одного из крупнейших производителей разъемов военного и аэрокосмического назначения «JONHON», а так же официальным дистрибьютором и эксклюзивным представителем в России производителя высокотехнологичных и надежных решений для передачи СВЧ сигналов «FORSTAR».



## JONHON

«JONHON» (основан в 1970 г.)

Разъемы специального, военного и аэрокосмического назначения:

(Применяются в военной, авиационной, аэрокосмической, морской, железнодорожной, горно- и нефтедобывающей отраслях промышленности)

«FORSTAR» (основан в 1998 г.)

ВЧ соединители, коаксиальные кабели,  
кабельные сборки и микроволновые компоненты:

(Применяются в телекоммуникациях гражданского и специального назначения, в средствах связи, РЛС, а так же военной, авиационной и аэрокосмической отраслях промышленности).



Телефон: 8 (812) 309-75-97 (многоканальный)

Факс: 8 (812) 320-03-32

Электронная почта: [ocean@oceanchips.ru](mailto:ocean@oceanchips.ru)

Web: <http://oceanchips.ru/>

Адрес: 198099, г. Санкт-Петербург, ул. Калинина, д. 2, корп. 4, лит. А