

### PB500

#### FiberExpress® Ultra HD System

Elegantly simple yet uncompromisingly flexible. Ultra high-density rack-mount fiber connectivity system, crafted for effortless installation and maintenance.



#### The FiberExpress Ultra HD System is the Next Evolution in Convenient, Easy-to-use, High-density Fiber Connectivity

##### Key Features

- 1U, 2U, and 4U configurations
- Feature rich housings and entry-level fixed shelves
- Cost effective pre-terminated cable support and flexible field termination options
- Ultra high cabling density: up to 72 LC Duplex or 72 MPO adapters per rack unit
- Clean, convenient cable management
- Efficient one-person installation
- Adaptable for present and future needs
- Easy access for fast, efficient MACs

##### FiberExpress Ultra HD System

The Belden FiberExpress Ultra HD system provides designers complete flexibility to architect a fiber connectivity solution to adapt to the varying port count needs in Data Centers and LANs:

- Top-of-rack configurations with low-to-medium port counts
- End-of-row configurations with medium-to-high port counts

Common intuitive components and modular design means that installers and end-users do not have to learn different systems to support different needs. In addition, fewer components must be stocked for different configurations. The result, easier to manage moves, additions, and changes (MACs).

##### Maximize revenue with the highest density connectivity

The trend toward high-density computing and storage requires connectivity that scales to facilitate the evolution of both Data Center and LAN applications. FiberExpress Ultra HD system allows the highest density connectivity available—doubling the density over comparable units. With FiberExpress Ultra HD, each rack unit can accommodate up to:

##### FX UHD Housing (1U, 2U and 4U Density)

- 72 LC Duplex Connections (144 fibers) per rack-unit or,
- 72 MPO Connectors per rack-unit

##### FX UHD Fixed Shelf (1U)

- 72 LC Duplex Connections (144 fibers)
- 72 MPO Connections

##### FX UHD Fixed Shelf (4U)

- 180 LC Duplex Connections (360 fibers)
- 180 MPO Connections

This 50% reduction in required rack unit space means more active equipment per rack—and increased revenue per square foot for Data Center operators. Alternatively it reduces the space required for LAN equipment, reducing OPEX for end-users.

One Enterprise.  
One Infrastructure.  
One Partner.

## Choose Between a FiberExpress Ultra HD System with a Feature-Rich FX UHD Housing or Entry-Level FX UHD Fixed Shelf

### FiberExpress Ultra HD System

Crafted out of highest quality materials using innovative design and assembly techniques, even the largest 4U FX Ultra HD housing weighs only 2.4 kg (5.4 lb) as installed. Tool-less removable module trays on the housing mean that a single installer can safely maneuver the lightweight panel housing and secure the system into the rack.

With the high value of data on fiber-optic networks, accidental interruption while performing MACs can have significant financial consequences for network operators. A sleek unencumbered front faceplate provides plenty of space for shelf identification labeling. Clear, always-visible port labeling ensures the right fiber is found every time. The sliding module tray of the FiberExpress UHD housing provides access and visibility to individual cassettes and frames, further reducing the maintenance effort.

### Protect your investment while accommodating legacy connectivity today

Meet the challenges of balancing future needs against the need to maintain a legacy infrastructure. The FiberExpress Ultra HD System provides a cost-effective upgrade path from current 1G and 10G to 40G and 100G networks.

Its flexible modular approach supports legacy applications using ST and SC up to modern applications using LC and MPO. The system can be upgraded as needed with a simple cassette or adapter frame change. With no need to replace the entire system, it provides a cost-effective entry point today with scalability to meet the needs of tomorrow.

### Optimize space in mixed media environments with KeyConnect support

Combining copper and fiber connectivity, one patch panel is ideal for some environments when port counts may be low. Using a standard Belden KeyConnect frame with modular inserts makes it possible to combine fiber, copper and multimedia connectivity all in the same rack unit of space.

### Feature-Rich FX UHD Housing

Current trends have reduced the need for splices and splice trays. FiberExpress Ultra HD System supports a field-upgradable, 144 splice tray housing kit which can be easily added to any or all of the system's 1U module trays.

Without the splice tray, the standard FiberExpress Ultra HD housing significantly reduces the depth of the system by over

25 cm (>10") versus competitive products. The additional space allows easier, clean cable management. It also provides additional space for opposite-rail-mounted equipment, to effectively increase the total rack unit space available.

Removable front and rear cable trays add to system flexibility. The reduced physical footprint of the system enables additional mounting options—including shallow racks and cabinets, vertical mounting configurations and even floor and ceiling boxes.

### Speed up the install process and eliminate errors with the installer-friendly sliding and tilting module tray

A standard sliding module tray brings the work platform out of the rack and at a 23 degree tilt down toward the installer to improve accessibility during installation. A quickly installed lid and front patch cord tray provides unprecedented visibility to the work at hand. Improved accessibility and visibility leads to fast, clean, error-free installation.



A single installer can install the system.



Slide-in trays tilt outward to improve accessibility.



Shelf identification labeling is clearly visible.

One Enterprise.  
One Infrastructure.  
One Partner.



Termination Type	Feature-Rich FX UHD Housing	Entry-Level FX UHD Shelf
<b>Pre-Term Assemblies</b>		
MPO Trunks	✓	✓
Jacketed Fan-Out	✓	✓
900 μm Fan-Out	✓	X
<b>Field Termination</b>		
Pig-Tail w/Splicing	✓	X
900 μm Connectorization (ie. FX Brilliance)	✓	X
Jacketed Connectorization	✓	✓

With the same look and feel, the cost effective FX UHD Shelf and the feature-rich FX UHD Housing can be mixed and matched to create unique Half Pre-Term systems that provide field termination benefits like exact cable length, the ability to fit in smaller conduits, and rapid cost-effective installation of pre-term solutions.

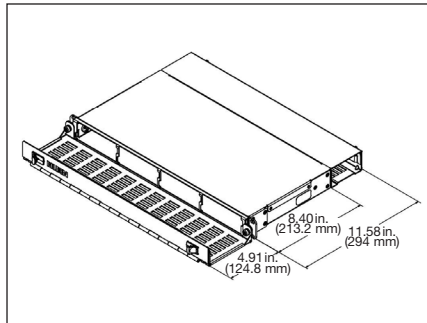
### Entry-Level FX UHD Shelf

As the push toward higher density in the Data Center continues, racks and cabinets are beginning to shrink in depth causing other active equipment, such as PDUs, to encroach on the space traditionally reserved for patch panels. To address this unique challenge, the FX UHD shelf is available in both standard and recessed versions. With only 65 mm (2.56") from the rack ear to the front of the patch cord tray the recessed version requires little clearance. This enables it to fit behind even the largest of PDUs. A removable door provides both protection and labeling without requiring any additional space to fully open for maximum flexibility.

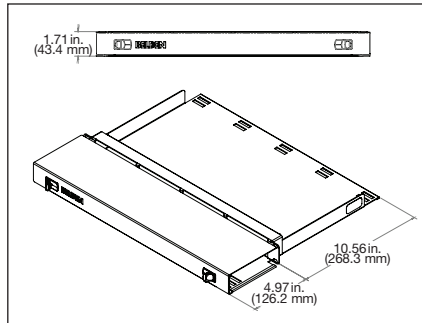
### To Learn More...

For more information call **1.800.BELDEN.1** (1.800.235.3361) or visit our web site at [www.belden.com](http://www.belden.com) for more information on Belden FiberExpress Ultra HD Systems.

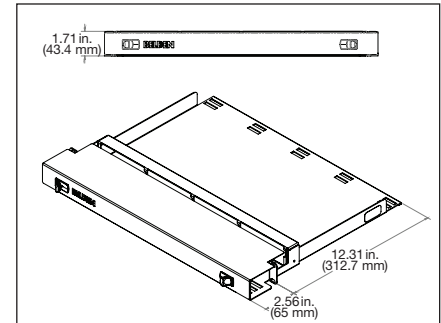
### FiberExpress Ultra HD Patch Panel Dimensions



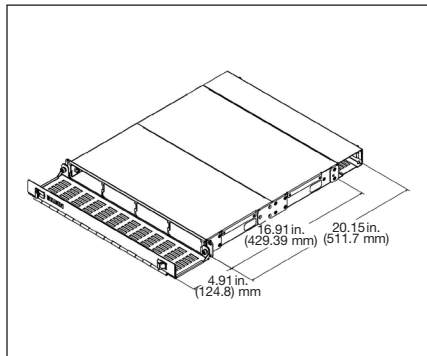
FiberExpress Ultra HD 1U Housing



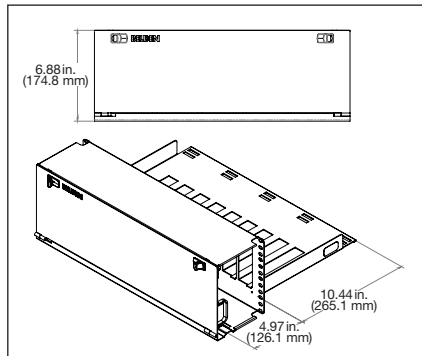
FiberExpress Ultra HD 1U Standard Shelf



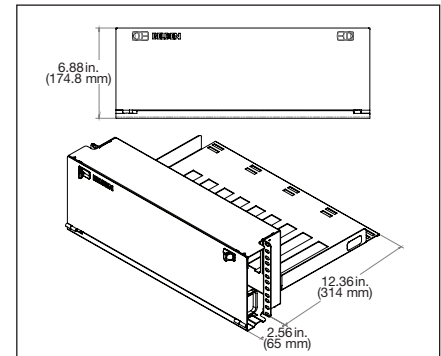
FiberExpress Ultra HD 1U Recessed Shelf



FiberExpress Ultra HD 1U Housing with mounted Splice Housing Kit



FiberExpress Ultra HD 4U Standard Shelf



FiberExpress Ultra HD 4U Recessed Shelf

## FiberExpress UHD Housing

Description	Belden Part Number	
	Description	Belden Part Number
1U Housing with Front and Rear Cable Tray, Titanium Finish		AX104681
2U Housing with Front and Rear Cable Tray, Titanium Finish		AX104682
4U Housing with Front and Rear Cable Tray, Titanium Finish		AX104683
Optional 1U Splice Housing Kit, 72 Splices, Titanium Finish (add up to 4 on the 4U Housing)		AX105174
Optional 1U Splice Housing Kit, 144 splices, Titanium Finish (add up to 4 on the 4U Housing)		AX104684

## FiberExpress UHD Fixed Shelf

Description	Belden Part Number	
	Description	Belden Part Number
1U Standard Fixed Shelf, Titanium Finish		AX105164
1U Recessed Fixed Shelf, Titanium Finish		AX105165
4U Standard Fixed Shelf, Titanium Finish		AX105166
4U Recessed Shelf, Titanium Finish		AX105167

## FiberExpress Ultra and Ultra HD Pre-Terminated Cassettes

Description	Belden Part Number				
	Multimode, OM1, 62.5 µm, Beige	Multimode, OM2, 50 µm, Black	Multimode, OM3, 50 µm, Aqua	Multimode, OM4, 50 µm, Aqua, Low Loss	Single-mode, OS2, Blue
<b>FiberExpress Ultra HD Pre-Terminated Cassettes</b>					
LC 18 x LC Duplex to 3 x MPO (m), 36 fibers	Call for Availability	Call for Availability	AX104617	AX104658	AX104616
LC 18 x LC Duplex to 3 x MPO (f), 36 fibers - 40G/100G	—	—	—	AX105172	—
<b>FiberExpress Ultra Pre-Terminated Cassettes</b>					
LC 12 x LC Duplex to 2 x MPO (m), 24 fibers	AX103657	AX103687	AX103729	AX103783	AX103837
LC 6 x LC Duplex to 1 x MPO (m), 12 fibers	AX103641	AX103683	AX103713	AX103767	AX103821
LC 6 x LC Duplex w/ Shutters to 1 x MPO (m), 12 fibers	AX103642	AX103684	AX103714	—	AX103822
SC 6 x SC Duplex to 1 x MPO (m), 12 fibers	AX103639	AX103681	AX103711	Call for Availability	AX103819
SC 3 x SC Duplex w/ shutters to 1 x MPO (m), 6 fibers	AX103621	AX103675	AX103693	Call for Availability	AX103801
ST 12 x ST Simplex to 1 x MPO (m), 12 fibers	AX103638	AX103680	AX103710	—	AX103818

## FiberExpress Ultra and Ultra HD Field-Terminated Frames

Description	Belden Part Number				
	Multimode, OM1, 62.5 µm, Beige	Multimode, OM2, 50 µm, Black	Multimode, OM3, 50 µm, Aqua	Multimode, OM4, 50 µm, Aqua	Single-mode, OS2, LC - Blue MPO - Black
<b>FiberExpress Ultra HD Frames</b>					
MPO 18 x MPO to MPO Adapters	Call for Availability	Call for Availability	AX104620		AX104621
LC 18 x LC Duplex to LC Duplex Adapters, 36 fibers	Call for Availability	Call for Availability	AX104619		AX104618
<b>FiberExpress Ultra Frames</b>					
MPO 12 x MPO to MPO Adapters, up to 144/288 fibers	AX103902 (Black Only)				
6 x MPO to MPO Adapters, up to 72/144 fibers	AX103901 (Black Only)				
LC 12 x LC Duplex to LC Duplex Adapters, 24 fibers	AX103424	AX103451	AX103465		AX103519
6 x LC Duplex to LC Duplex Adapters, 12 fibers	AX103408	AX103449	AX103463		AX103502
6 x LC Duplex to LC Duplex w/ shutter Adapters, 12 fibers	AX103409	AX103450	AX103464		AX103503
6 x SC Duplex to SC Duplex Adapters, 12 fibers	AX103406	AX103447	AX103461		AX103496
3 x SC Duplex to SC Duplex w/shutter Adapters, 6 fibers	AX103386	AX103442	AX103456		AX103471
12 x SC Simplex to SC Simplex Adapters, 12 fibers	AX103404	AX103445	AX103459		AX103494

## FiberExpress Ultra KeyConnect Frames

Description	Belden Part Number					CAT 6A	
	Multimode, OM1, Beige	Multimode, OM2, Black	Multimode, OM3, Aqua	Multimode, OM4, Aqua	Single-mode, OS2, Blue	Blue	Black
FiberExpress Ultra KeyConnect Frame, 6-Port	AX105160					—	—
1 x LC Duplex KeyConnect Adapter	AX102417	Call for Availability	AX104939		AX102421	—	—
COPPER, 1 x 10GX KeyConnect Modular Jack, CAT 6A	—	—	—	—	—	AX104156	AX102283

## FiberExpress Accessories

Description	Belden Part Number	
FiberExpress Ultra Blank Plate		AX105159
144-Splice Accessory Kit (Shrink Tubes and Wire Markers)		AX104705
FX Ultra Color-Coded Icon Kit		AX104572
FiberExpress Ultra HD Patch Cord Release Tool		AX104685

Refer to the Belden FiberExpress Optical Fiber Systems Catalog for information on compatible components.  
Refer to the Belden IBDN Copper Systems Catalog for information on compatible components.



Компания «Океан Электроники» предлагает заключение долгосрочных отношений при поставках импортных электронных компонентов на взаимовыгодных условиях!

Наши преимущества:

- Поставка оригинальных импортных электронных компонентов напрямую с производств Америки, Европы и Азии, а так же с крупнейших складов мира;
- Широкая линейка поставок активных и пассивных импортных электронных компонентов (более 30 млн. наименований);
- Поставка сложных, дефицитных, либо снятых с производства позиций;
- Оперативные сроки поставки под заказ (от 5 рабочих дней);
- Экспресс доставка в любую точку России;
- Помощь Конструкторского Отдела и консультации квалифицированных инженеров;
- Техническая поддержка проекта, помощь в подборе аналогов, поставка прототипов;
- Поставка электронных компонентов под контролем ВП;
- Система менеджмента качества сертифицирована по Международному стандарту ISO 9001;
- При необходимости вся продукция военного и аэрокосмического назначения проходит испытания и сертификацию в лаборатории (по согласованию с заказчиком);
- Поставка специализированных компонентов военного и аэрокосмического уровня качества (Xilinx, Altera, Analog Devices, Intersil, Interpoint, Microsemi, Actel, Aeroflex, Peregrine, VPT, Syfer, Eurofarad, Texas Instruments, MS Kennedy, Miteq, Cobham, E2V, MA-COM, Hittite, Mini-Circuits, General Dynamics и др.);

Компания «Океан Электроники» является официальным дистрибьютором и эксклюзивным представителем в России одного из крупнейших производителей разъемов военного и аэрокосмического назначения «JONHON», а так же официальным дистрибьютором и эксклюзивным представителем в России производителя высокотехнологичных и надежных решений для передачи СВЧ сигналов «FORSTAR».



## JONHON

«JONHON» (основан в 1970 г.)

Разъемы специального, военного и аэрокосмического назначения:

(Применяются в военной, авиационной, аэрокосмической, морской, железнодорожной, горно- и нефтедобывающей отраслях промышленности)

«FORSTAR» (основан в 1998 г.)

ВЧ соединители, коаксиальные кабели, кабельные сборки и микроволновые компоненты:

(Применяются в телекоммуникациях гражданского и специального назначения, в средствах связи, РЛС, а так же военной, авиационной и аэрокосмической отраслях промышленности).



Телефон: 8 (812) 309-75-97 (многоканальный)

Факс: 8 (812) 320-03-32

Электронная почта: [ocean@oceanchips.ru](mailto:ocean@oceanchips.ru)

Web: <http://oceanchips.ru/>

Адрес: 198099, г. Санкт-Петербург, ул. Калинина, д. 2, корп. 4, лит. А