

# 1.62V to 3.6V Improved High-Speed LLT

## General Description

The MAX13042E–MAX13045E 4-channel, bidirectional level translators provide the level shifting necessary for 100Mbps data transfer in multivoltage systems. The MAX13042E–MAX13045E are ideally suited for level translation in systems with four channels. Externally applied voltages,  $V_{CC}$  and  $V_L$ , set the logic levels on either side of the device. Logic signals present on the  $V_L$  side of the device appear as a high-voltage logic signal on the  $V_{CC}$  side of the device and vice-versa.

The MAX13042E–MAX13045E operate at full speed with external drivers that source as little as 4mA output current or larger. Each input/output (I/O) channel is pulled up to  $V_{CC}$  or  $V_L$  by an internal 30 $\mu$ A current source, allowing the MAX13042E–MAX13045E to be driven by either push-pull or open-drain drivers.

The MAX13042E–MAX13045E feature an enable (EN) input that places the devices into a low-power shutdown mode when driven low. The MAX13042E–MAX13045E feature an automatic shutdown mode that disables the part when  $V_{CC}$  is less than  $V_L$ . The state of I/O  $V_{CC}$  and I/O  $V_L$  during shutdown is chosen by selecting the appropriate part version. (See the *Ordering Information/Selector Guide*).

The MAX13042E–MAX13045E operate with  $V_{CC}$  voltages from +2.2V to +3.6V and  $V_L$  voltages from +1.62V to +3.2V, making them ideal for data transfer between low-voltage ASIC/PLDs and higher voltage systems. The MAX13042E–MAX13045E are available in 12-bump UCSP™ (1.54mm x 2.12mm) and 14-pin TDFN (3mm x 3mm) packages, and operate over the extended -40°C to +85°C temperature range.

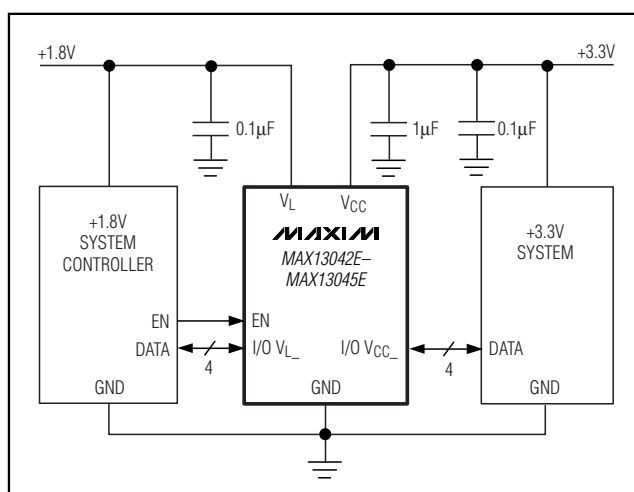
## Applications

CMOS Logic-Level Translation	Portable POS Systems
Low-Voltage ASIC Level Translation	Portable Communication Devices
Cell Phones	GPS
SPI™, MICROWIRE™ Level Translation	Telecommunications Equipment

## Features

- ◆ Compatible with 4mA Input Drivers or Larger
- ◆ 100Mbps Guaranteed Data Rate
- ◆ Four Bidirectional Channels
- ◆ Enable Input
- ◆  $\pm 15$ kV ESD Protection on I/O  $V_{CC}$  Lines
- ◆  $+1.62\text{V} \leq V_L \leq +3.2\text{V}$  and  $+2.2\text{V} \leq V_{CC} \leq +3.6\text{V}$  Supply Voltage Range
- ◆ 12-Bump UCSP (1.54mm x 2.12mm) and 14-Pin TDFN (3mm x 3mm) Lead-Free Packages

## Typical Operating Circuit



UCSP is a trademark of Maxim Integrated Products, Inc.  
SPI is a trademark of Motorola, Inc.  
MICROWIRE is a trademark of National Semiconductor Corp.

Pin Configurations appear at end of data sheet.

Ordering Information/Selector Guide continued at end of data sheet.

## Ordering Information/Selector Guide

PART	PIN-PACKAGE	I/O $V_L$ STATE DURING SHUTDOWN	I/O $V_{CC}$ STATE DURING SHUTDOWN	TOP MARK	PKG CODE
MAX13042EEBC+T	12 UCSP-12	High Impedance	High Impedance	ADQ	B12-3
MAX13042EETD+T	14 TDFN-EP**	High Impedance	High Impedance	ADE	T1433-2

Note: All devices operate over the -40°C to +85°C temperature range.

+Denotes a lead-free package.

\*Future product—contact factory for availability.

\*\*EP = Exposed paddle.

# 1.62V to 3.6V Improved High-Speed LLT

## ABSOLUTE MAXIMUM RATINGS

(All voltages referenced to GND.)

V <sub>CC</sub> , V <sub>L</sub> .....	-0.3V to +4V
I/O V <sub>CC_</sub> .....	-0.3V to (V <sub>CC</sub> + 0.3V)
I/O V <sub>L_</sub> .....	-0.3V to (V <sub>L</sub> + 0.3V)
EN .....	-0.3V to +4V
Short-Circuit Duration I/O V <sub>L_</sub> , I/O V <sub>CC_</sub> to GND .....	Continuous
Continuous Power Dissipation (T <sub>A</sub> = +70°C)	
12-Bump UCSP (derate 6.5mW/°C above +70°C) .....	519mW
14-Pin TDFN (derate 24.4mW/°C above +70°C) .....	1951mW

Operating Temperature Range .....	-40°C to +85°C
Storage Temperature Range .....	-65°C to +150°C
Junction Temperature .....	+150°C
Lead Temperature (soldering, 10s) .....	+300°C

Stresses beyond those listed under "Absolute Maximum Ratings" may cause permanent damage to the device. These are stress ratings only, and functional operation of the device at these or any other conditions beyond those indicated in the operational sections of the specifications is not implied. Exposure to absolute maximum rating conditions for extended periods may affect device reliability.

## ELECTRICAL CHARACTERISTICS

(V<sub>CC</sub> = +2.2V to +3.6V, V<sub>L</sub> = +1.62V to +3.2V, EN = V<sub>L</sub>, T<sub>A</sub> = -40°C to +85°C, unless otherwise noted. Typical values are at V<sub>CC</sub> = +3.3V, V<sub>L</sub> = +1.8V, and T<sub>A</sub> = +25°C.) (Notes 1, 2)

PARAMETER	SYMBOL	CONDITIONS	MIN	TYP	MAX	UNITS
<b>POWER SUPPLIES</b>						
V <sub>L</sub> Supply Range	V <sub>L</sub>		1.62		3.2	V
V <sub>CC</sub> Supply Range	V <sub>CC</sub>		2.2		3.6	V
Supply Current from V <sub>CC</sub>	I <sub>QVCC</sub>	I/O V <sub>CC_</sub> = V <sub>CC</sub> , I/O V <sub>L_</sub> = V <sub>L</sub>			25	μA
Supply Current from V <sub>L</sub>	I <sub>QVL</sub>	I/O V <sub>CC_</sub> = V <sub>CC</sub> , I/O V <sub>L_</sub> = V <sub>L</sub>			10	μA
V <sub>CC</sub> Shutdown Supply Current	I <sub>SHDN-VCC</sub>	T <sub>A</sub> = +25°C, EN = GND		0.1	1	μA
V <sub>L</sub> Shutdown-Mode Supply Current	I <sub>SHDN-VL</sub>	T <sub>A</sub> = +25°C, EN = GND		0.1	1	μA
		T <sub>A</sub> = +25°C, EN = V <sub>L</sub> , V <sub>CC</sub> = GND		0.1	4	
I/O V <sub>CC_</sub> , I/O V <sub>L_</sub> Tri-State Leakage Current	I <sub>LEAK</sub>	T <sub>A</sub> = +25°C, EN = GND		0.1	2	μA
EN Input Leakage Current	I <sub>LEAK_EN</sub>	T <sub>A</sub> = +25°C			1	μA
V <sub>L</sub> - V <sub>CC</sub> Shutdown Threshold High	V <sub>TH_H</sub>	V <sub>CC</sub> rising (Note 3)	0	0.1V <sub>L</sub>	0.8	V
V <sub>L</sub> - V <sub>CC</sub> Shutdown Threshold Low	V <sub>TH_L</sub>	V <sub>CC</sub> falling (Note 3)	0	0.12V <sub>L</sub>	0.8	V
I/O V <sub>CC_</sub> Pulldown Resistance During Shutdown	R <sub>VCC_PD_SD</sub>	MAX13043E/MAX13045E	10	16.5	23	kΩ
I/O V <sub>L_</sub> Pulldown Resistance During Shutdown	R <sub>VL_PD_SD</sub>	MAX13044E/MAX13045E	10	16.5	23	kΩ
I/O V <sub>L_</sub> Pullup Current	I <sub>VL_PU_</sub>	I/O V <sub>L_</sub> = GND, I/O V <sub>CC_</sub> = GND	20		65	μA
I/O V <sub>CC_</sub> Pullup Current	I <sub>VCC_PU_</sub>	I/O V <sub>CC_</sub> = GND, I/O V <sub>L_</sub> = GND	20		65	μA
I/O V <sub>L_</sub> to I/O V <sub>CC_</sub> DC Resistance	R <sub>IOVL_IOVCC</sub>	(Note 4)		3		kΩ

# 1.62V to 3.6V Improved High-Speed LLT

MAX13042E-MAX13045E

## ELECTRICAL CHARACTERISTICS (continued)

( $V_{CC} = +2.2V$  to  $+3.6V$ ,  $V_L = +1.62V$  to  $+3.2V$ ,  $EN = V_L$ ,  $T_A = -40^{\circ}C$  to  $+85^{\circ}C$ , unless otherwise noted. Typical values are at  $V_{CC} = +3.3V$ ,  $V_L = +1.8V$ , and  $T_A = +25^{\circ}C$ .) (Notes 1, 2)

PARAMETER	SYMBOL	CONDITIONS	MIN	TYP	MAX	UNITS
<b>ESD PROTECTION</b>						
I/O $V_L$ , EN		Human Body Model		$\pm 2$		kV
I/O $V_{CC}$		Human Body Model, $C_{VCC} = 1\mu F$		$\pm 15$		kV
		IEC 61000-4-2 Air-Gap Discharge, $C_{VCC} = 1\mu F$		$\pm 15$		
		IEC 61000-4-2 Contact Discharge, $C_{VCC} = 1\mu F$		$\pm 8$		
<b>LOGIC LEVELS</b>						
I/O $V_L$ Input-Voltage High Threshold	$V_{IHL}$	(Note 5)	$V_L - 0.2$			V
I/O $V_L$ Input-Voltage Low Threshold	$V_{ILL}$	(Note 5)			0.15	V
I/O $V_{CC}$ Input-Voltage High Threshold	$V_{IHC}$	(Note 5)	$V_{CC} - 0.4$			V
I/O $V_{CC}$ Input-Voltage Low Threshold	$V_{ILC}$	(Note 5)			0.2	V
EN Input-Voltage-High Threshold	$V_{IH}$		$V_L - 0.4$			V
EN Input-Voltage-Low Threshold	$V_{IL}$				0.4	V
I/O $V_L$ Output-Voltage High	$V_{OHL}$	I/O $V_L$ source current = $20\mu A$	$2/3 V_L$			V
I/O $V_L$ Output-Voltage Low	$V_{OLL}$	I/O $V_L$ sink current = $20\mu A$ , I/O $V_{CC} < 0.2V$			$1/3 V_L$	V
I/O $V_{CC}$ Output-Voltage High	$V_{OHC}$	I/O $V_{CC}$ source current = $20\mu A$	$2/3 V_{CC}$			V
I/O $V_{CC}$ Output-Voltage Low	$V_{OLC}$	I/O $V_{CC}$ sink current = $20\mu A$ , I/O $V_L < 0.15V$			$1/3 V_{CC}$	V
<b>RISE-/FALL-TIME ACCELERATOR STAGE</b>						
Accelerator Pulse Duration		On falling edge		3.5		ns
		On rising edge		3.5		
$V_L$ Output Accelerator Source Impedance		$V_L = 1.62V$		24		$\Omega$
		$V_L = 3.2V$		11		
$V_{CC}$ Output Accelerator Source Impedance		$V_{CC} = 2.2V$		13		$\Omega$
		$V_{CC} = 3.6V$		9		
$V_L$ Output Accelerator Sink Impedance		$V_L = 1.62V$		14		$\Omega$
		$V_L = 3.2V$		10		
$V_{CC}$ Output Accelerator Sink Impedance		$V_{CC} = 2.2V$		11		$\Omega$
		$V_{CC} = 3.6V$		9		

# 1.62V to 3.6V Improved High-Speed LLT

## TIMING CHARACTERISTICS

( $+2.2\text{V} \leq V_{CC} \leq +3.6\text{V}$ ,  $+1.62\text{V} \leq V_L \leq +3.2\text{V}$ ;  $C_{IOVL} \leq 15\text{pF}$ ,  $C_{IOVCC} \leq 10\text{pF}$ ;  $R_{SOURCE} < 150\Omega$ , rise/fall time  $< 3\text{ns}$ ,  $EN = V_L$ ,  $T_A = -40^\circ\text{C}$  to  $+85^\circ\text{C}$ , unless otherwise noted. Typical values are at  $V_{CC} = +3.3\text{V}$ ,  $V_L = +1.8\text{V}$ , and  $T_A = +25^\circ\text{C}$ .) (Notes 1, 2)

PARAMETER	SYMBOL	CONDITIONS	MIN	TYP	MAX	UNITS
I/O $V_{CC}$ Rise Time	$t_{RVCC}$	Figure 1			2.5	ns
I/O $V_{CC}$ Fall Time	$t_{FVCC}$	Figure 1			2.5	ns
I/O $V_L$ Rise Time	$t_{RVL}$	Figure 2			2.5	ns
I/O $V_L$ Fall Time	$t_{FVL}$	Figure 2			2.5	ns
Propagation Delay (Driving I/O $V_L$ )	$t_{PVL-VCC}$	Figure 1			6.5	ns
Propagation Delay (Driving I/O $V_{CC}$ )	$t_{PVCC-VL}$	Figure 2			6.5	ns
Channel-to-Channel Skew	$t_{SKEW}$	(Note 4)			0.7	ns
Propagation Delay From I/O $V_L$ to I/O $V_{CC}$ after EN	$t_{EN-VCC}$	Figure 3		5		$\mu\text{s}$
Propagation Delay From I/O $V_{CC}$ to I/O $V_L$ after EN	$t_{EN-VL}$	Figure 3		5		$\mu\text{s}$
Maximum Data Rate		Push-pull operation	100			Mbps

**Note 1:** All units are 100% production tested at  $T_A = +25^\circ\text{C}$ . Limits over the operating temperature range are guaranteed by correlation and design and not production tested.

**Note 2:**  $V_L$  must be less than or equal to  $V_{CC}$  during normal operation. However,  $V_L$  can be greater than  $V_{CC}$  during startup and shutdown conditions.

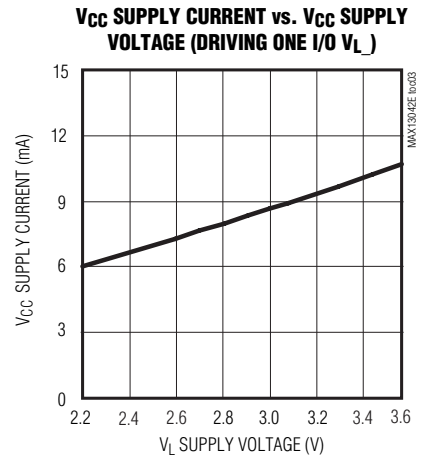
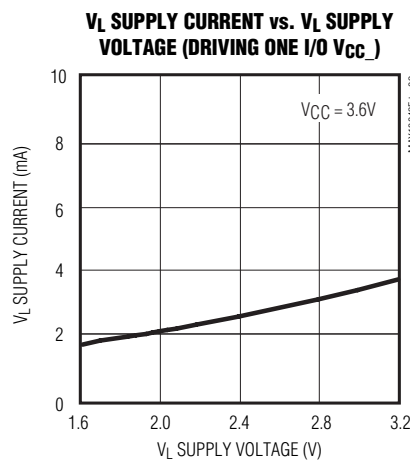
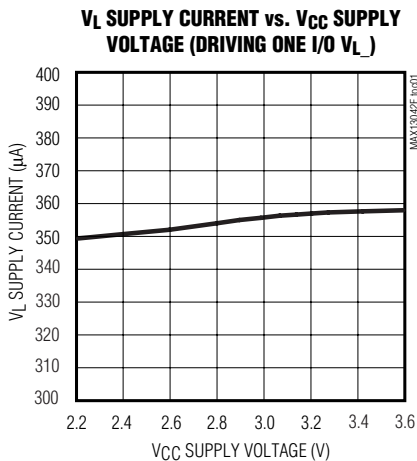
**Note 3:** When  $V_{CC}$  is below  $V_L$  by more than the  $V_L - V_{CC}$  shutdown threshold, the device turns off its pullup generators and the I/Os enter their respective shutdown states.

**Note 4:** Guaranteed by design.

**Note 5:** Input thresholds are referenced to the boost circuit.

## Typical Operating Characteristics

( $V_{CC} = 3.3\text{V}$ ,  $V_L = 1.8\text{V}$ ,  $C_{IOVCC} = 10\text{pF}$ ,  $C_{IOVL} = 15\text{pF}$ ,  $R_{SOURCE} = 150\Omega$ , data rate = 100Mbps, push-pull driver,  $T_A = +25^\circ\text{C}$ , unless otherwise noted.)



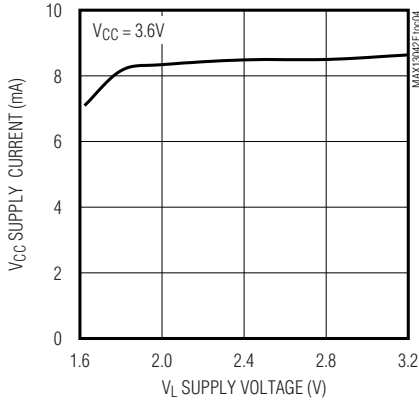
# 1.62V to 3.6V Improved High-Speed LLT

MAX13042E-MAX13045E

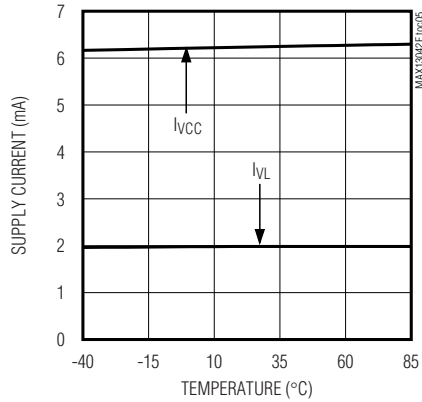
## Typical Operating Characteristics (continued)

( $V_{CC} = 3.3V$ ,  $V_L = 1.8V$ ,  $C_{IOVCC\_} = 10pF$ ,  $C_{IOVL\_} = 15pF$ ,  $R_{SOURCE} = 150\Omega$ , data rate = 100Mbps, push-pull driver,  $T_A = +25^\circ C$ , unless otherwise noted.)

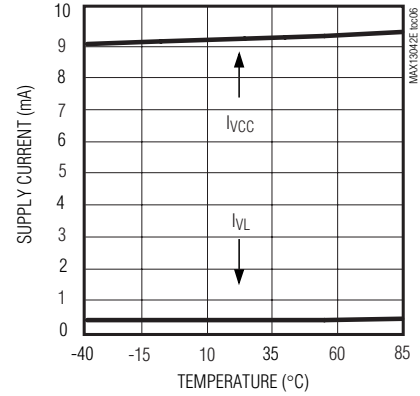
**$V_{CC}$  SUPPLY CURRENT vs.  $V_L$  SUPPLY VOLTAGE (DRIVING ONE I/O  $V_{CC\_}$ )**



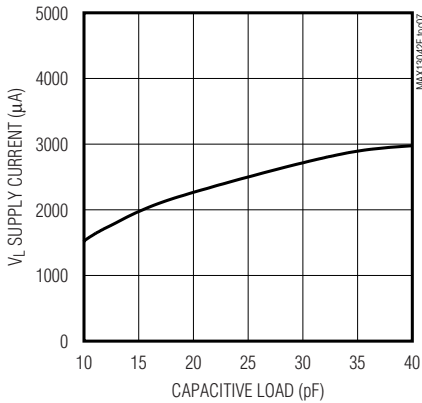
**SUPPLY CURRENT vs. TEMPERATURE (DRIVING ONE I/O  $V_{CC\_}$ )**



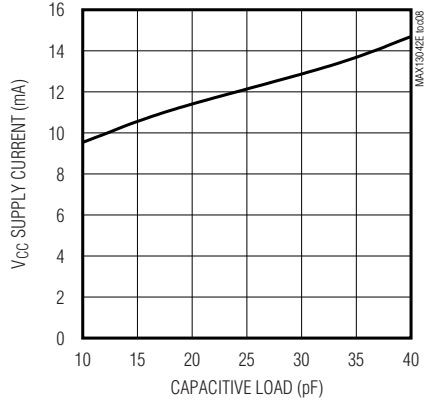
**SUPPLY CURRENT vs. TEMPERATURE (DRIVING ONE I/O  $V_L$ )**



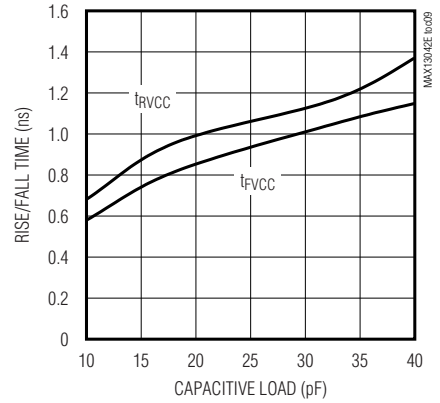
**$V_L$  SUPPLY CURRENT vs. CAPACITIVE LOAD ON I/O  $V_L$  (DRIVING ONE I/O  $V_{CC\_}$ )**



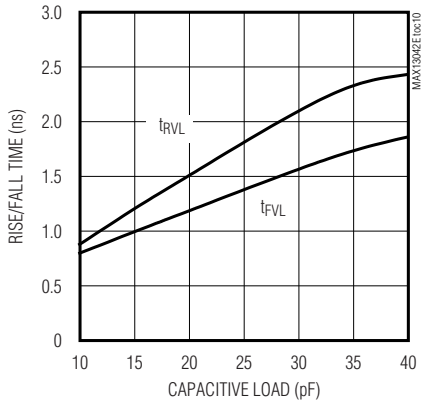
**$V_{CC}$  SUPPLY CURRENT vs. CAPACITIVE LOAD ON I/O  $V_{CC\_}$  (DRIVING ONE I/O  $V_L$ )**



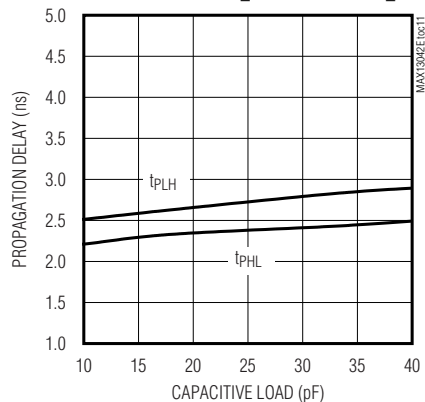
**RISE/FALL TIME vs. CAPACITIVE LOAD ON I/O  $V_{CC\_}$  (DRIVING I/O  $V_L$ )**



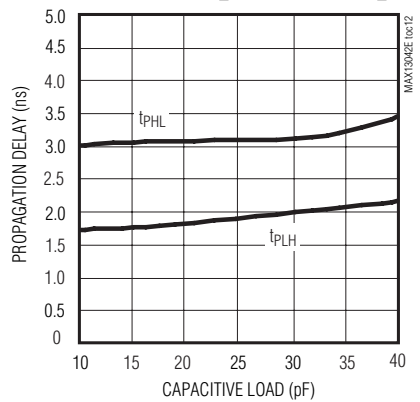
**RISE/FALL TIME vs. CAPACITIVE LOAD ON I/O  $V_L$  (DRIVING I/O  $V_{CC\_}$ )**



**PROPAGATION DELAY vs. CAPACITIVE LOAD ON I/O  $V_{CC\_}$  (DRIVING I/O  $V_L$ )**



**PROPAGATION DELAY vs. CAPACITIVE LOAD ON I/O  $V_L$  (DRIVING I/O  $V_{CC\_}$ )**

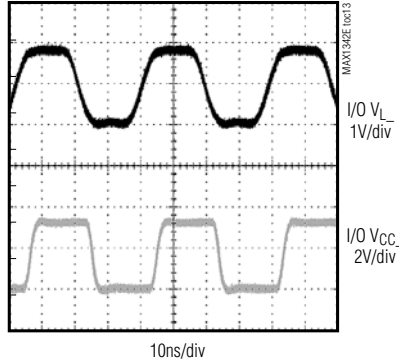


# 1.62V to 3.6V Improved High-Speed LLT

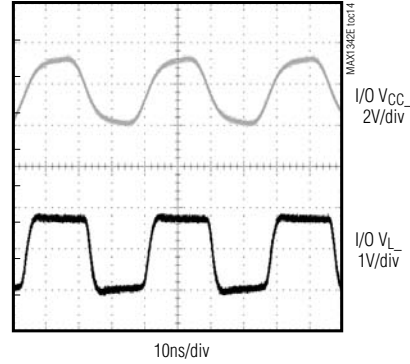
## Typical Operating Characteristics (continued)

( $V_{CC} = 3.3V$ ,  $V_L = 1.8V$ ,  $C_{IOVCC\_} = 10pF$ ,  $C_{IOVL\_} = 15pF$ ,  $R_{SOURCE} = 150\Omega$ , data rate = 100Mbps, push-pull driver,  $T_A = +25^\circ C$ , unless otherwise noted.)

**TYPICAL I/O  $V_L$  DRIVING**  
(FREQUENCY = 26MHz,  $C_{IOVCC\_} = 40pF$ )



**TYPICAL I/O  $V_{CC\_}$  DRIVING**  
(FREQUENCY = 26MHz,  $C_{IOVL\_} = 15pF$ )



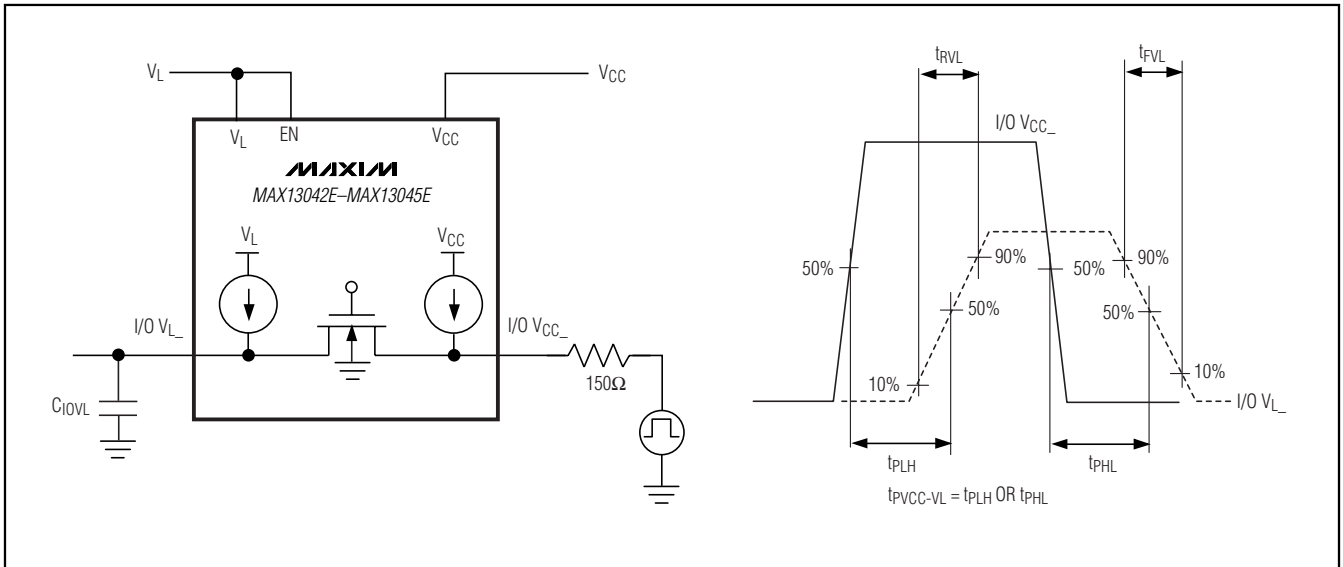
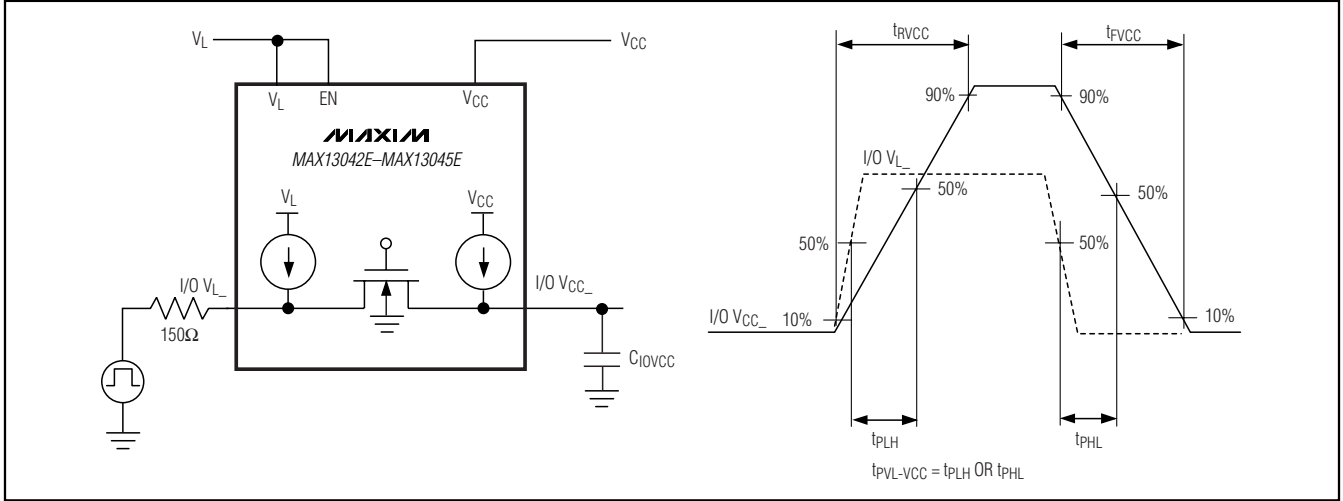
## Pin Description

PIN		NAME	FUNCTION
UCSP	TDFN		
A1	8	I/O $V_{CC4}$	Input/Output 4. Referenced to $V_{CC}$ .
A2	10	I/O $V_{CC3}$	Input/Output 3. Referenced to $V_{CC}$ .
A3	12	I/O $V_{CC2}$	Input/Output 2. Referenced to $V_{CC}$ .
A4	14	I/O $V_{CC1}$	Input/Output 1. Referenced to $V_{CC}$ .
B1	9	$V_{CC}$	Power-Supply Voltage, +2.2V to +3.6V. Bypass $V_{CC}$ to GND with a 0.1 $\mu F$ ceramic capacitor. For full ESD protection, connect an additional 1 $\mu F$ ceramic capacitor from $V_{CC}$ to GND as close to the $V_{CC}$ input as possible.
B2	6	$V_L$	Logic Supply Voltage, +1.62V to +3.2V. Bypass $V_L$ to GND with a 0.1 $\mu F$ ceramic capacitor placed as close to the device as possible.
B3	2	EN	Enable Input. Drive EN to GND for shutdown mode, or drive EN to $V_L$ or $V_{CC}$ for normal operation.
B4	13	GND	Ground
C1	7	I/O $V_{L4}$	Input/Output 4. Referenced to $V_L$ .
C2	5	I/O $V_{L3}$	Input/Output 3. Referenced to $V_L$ .
C3	3	I/O $V_{L2}$	Input/Output 2. Referenced to $V_L$ .
C4	1	I/O $V_{L1}$	Input/Output 1. Referenced to $V_L$ .
—	4, 11	N.C.	No Connection. Leave N.C. unconnected.
—	EP	EP	Exposed Pad. Connect exposed pad to GND.

# 1.62V to 3.6V Improved High-Speed LLT

## Test Circuits/Timing Diagrams

**MAX13042E-MAX13045E**



# 1.62V to 3.6V Improved High-Speed LLT

## Test Circuits/Timing Diagrams (continued)

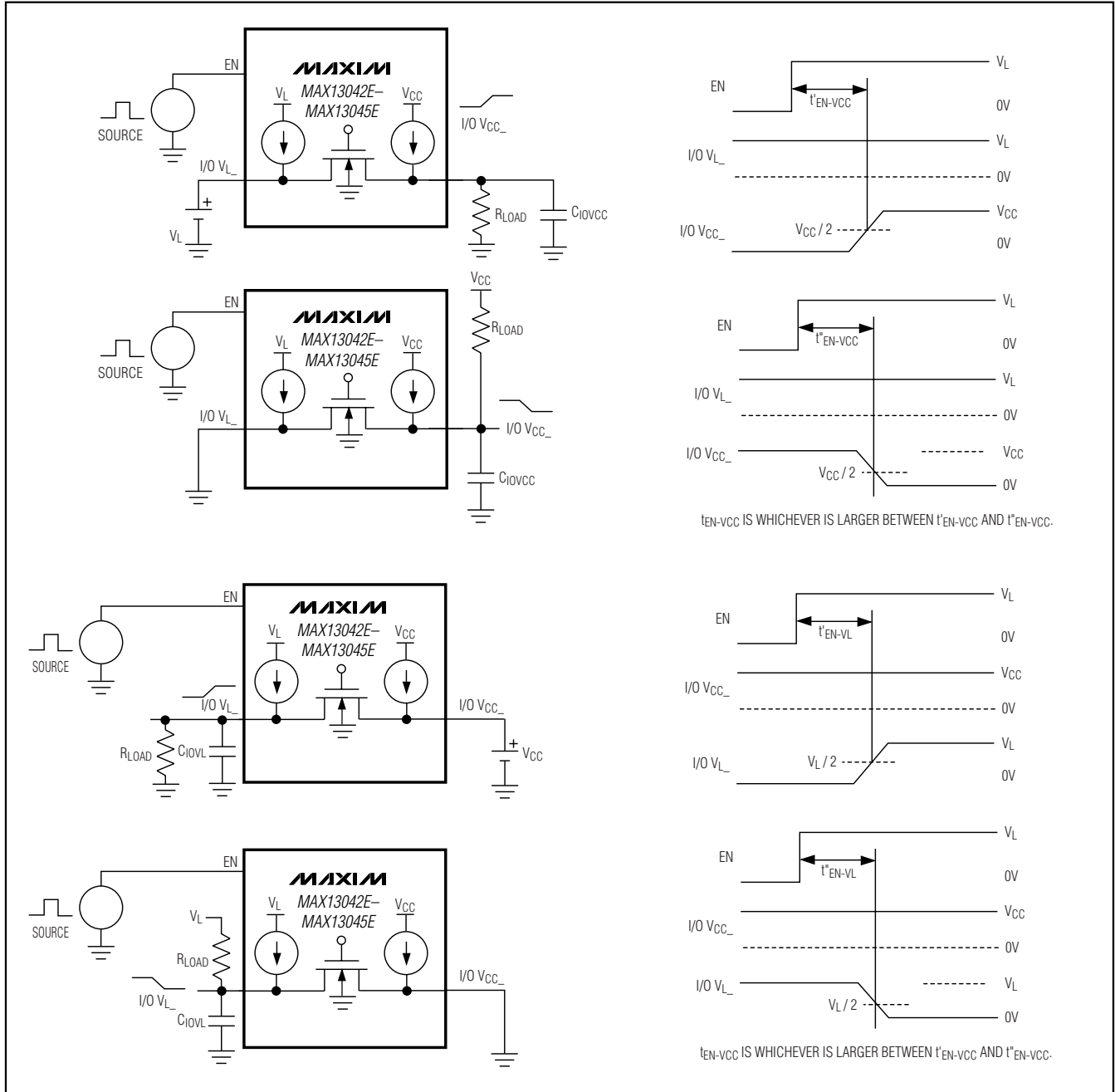


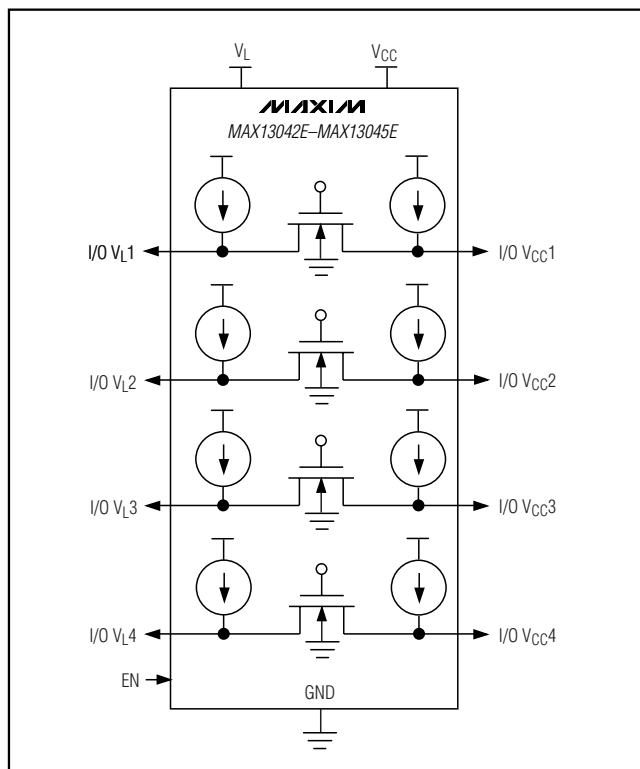
Figure 3. Enable Test Circuit and Timing



# 1.62V to 3.6V Improved High-Speed LLT

MAX13042E-MAX13045E

## Functional Diagram



## Detailed Description

The MAX13042E-MAX13045E 4-channel, bidirectional level translators provide the level shifting necessary for 100Mbps data transfer in multivoltage systems. The MAX13042E-MAX13045E are ideally suited for level translation in systems with four channels. Externally applied voltages,  $V_{CC}$  and  $V_L$ , set the logic levels on either side of the device. Logic signals present on the  $V_L$  side of the device appear as a high-voltage logic signal on the  $V_{CC}$  side of the device and vice-versa.

The MAX13042E-MAX13045E operate at full speed with external drivers that source as little as 4mA output current. Each I/O channel is pulled up to  $V_{CC}$  or  $V_L$  by an internal 30 $\mu$ A current source, allowing the MAX13042E-MAX13045E to be driven by either push-pull or open-drain drivers.

The MAX13042E-MAX13045E feature an enable (EN) input that places the devices into a low-power shutdown mode when driven low. The MAX13042E-MAX13045E

feature an automatic shutdown mode that disables the part when  $V_{CC}$  is less than  $V_L$ . The state of I/O  $V_{CC}$  and I/O  $V_L$  during shutdown is chosen by selecting the appropriate part version (see the *Ordering Information/Selector Guide*).

The MAX13042E-MAX13045E operate with  $V_{CC}$  voltages from +2.2V to +3.6V and  $V_L$  voltages from +1.62V to +3.2V.

### Level Translation

For proper operation, ensure that  $+2.2V \leq V_{CC} \leq +3.6V$ ,  $+1.62V \leq V_L \leq V_{CC} - 0.2V$ . When power is supplied to  $V_L$  while  $V_{CC}$  is missing or less than  $V_L$ , the MAX13042E-MAX13045E automatically enter a low-power mode. The devices will also enter shutdown mode when  $EN = 0V$ . This allows  $V_{CC}$  to be disconnected and still have a known state on I/O  $V_L$ . The maximum data rate depends heavily on the load capacitance (see the *Rise/Fall Time vs. Capacitive Load* graphs in the *Typical Operating Characteristics*), output impedance of the driver, and the operating voltage range.

### Input Driver Requirements

The MAX13042E-MAX13045E architecture is based on an nMOS pass gate and output accelerator stages (Figure 6). The accelerators are active only when there is a rising/falling edge on a given I/O. A short pulse is then generated where the output accelerator stages become active and charge/discharge the capacitances at the I/Os. Due to its architecture, both input stages become active during the one-shot pulse. This can lead to current feeding into the external source that is driving the translator. However, this behavior helps to speed up the transition on the driven side.

The MAX13042E-MAX13045E have internal current sources capable of sourcing 30 $\mu$ A to pull up the I/O lines. These internal-pullup current sources allow the inputs to be driven with open-drain drivers as well as push-pull drivers. It is not recommended to use external pullup resistors on the I/O lines. The architecture of the MAX13042E-MAX13045E permits either side to be driven with a minimum of 4mA drivers or larger.

### Output Load Requirements

The MAX13042E-MAX13045E I/O are designed to drive CMOS inputs. Do not load the I/O lines with a resistive load less than 25k $\Omega$  and do not place an RC circuit at the input of these devices to slow down the edges. If a slower rise/fall time is required, refer to the MAX3000E/MAX3001E logic-level translator data sheet.

# 1.62V to 3.6V Improved High-Speed LLT

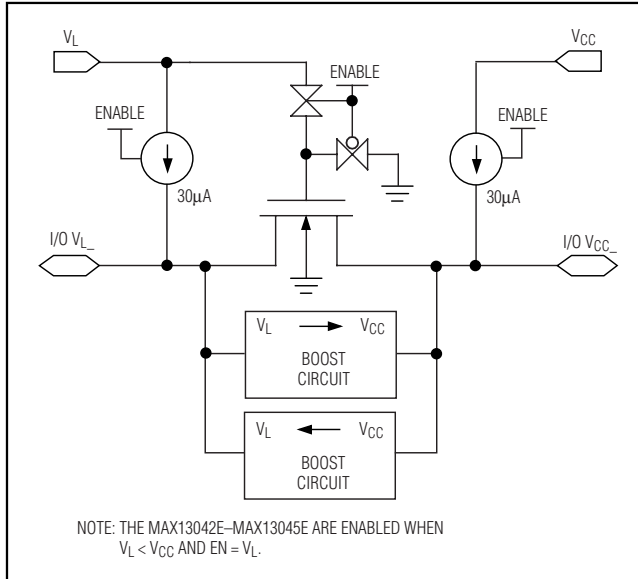


Figure 4. Simplified Functional Diagram for One I/O Line

## Shutdown Mode

The MAX13042E-MAX13045E feature an enable (EN) input that places the devices into a low-power shutdown mode when driven low. The MAX13042E-MAX13045E feature an automatic shutdown mode that disables the part when  $V_{CC}$  is unconnected or less than  $V_L$ .

## Applications Information

### Layout Recommendations

Use standard high-speed layout practices when laying out a board with the MAX13042E-MAX13045E. For example, to minimize line coupling, place all other signal lines not connected to the MAX13042E-MAX13045E at least 1x the substrate height of the PCB away from the input and output lines of the MAX13042E-MAX13045E.

### Power-Supply Decoupling

To reduce ripple and the chance of introducing data errors, bypass  $V_L$  and  $V_{CC}$  to ground with 0.1µF ceramic capacitors. Place all capacitors as close to the power-supply inputs as possible. For full ESD protection, bypass  $V_{CC}$  with a 1µF ceramic capacitor located as close to the  $V_{CC}$  input as possible.

### Unidirectional vs. Bidirectional Level Translator

The MAX13042E-MAX13045E bidirectional level translators can operate as a unidirectional device to trans-

late signals without inversion. These devices provide the smallest solution (UCSP package) for unidirectional level translation without inversion.

### ESD Test Conditions

ESD performance depends on a variety of conditions. Contact Maxim for a reliability report that documents test setup, test methodology, and test results.

### Use with External Pullup/Pulldown Resistors

Due to the architecture of the MAX13042E-MAX13045E, it is not recommended to use external pullup or pulldown resistors on the bus. In certain applications, the use of external pullup or pulldown resistors is desired to have a known bus state when there is no active driver on the bus. The MAX13042E-MAX13045E include internal pullup current sources that set the bus state when the device is enabled. In shutdown mode, the state of I/O  $V_{CC}$  and I/O  $V_L$  is dependent on the selected part version (see the *Ordering Information/Selector Guide*).

### Open-Drain Signaling

The MAX13042E-MAX13045E are designed to pass open-drain as well as CMOS push-pull signals. When used with open-drain signaling, the rise time will be dominated by the interaction of the internal pullup current source and the parasitic load capacitance. The MAX13042E-MAX13045E include internal rise-time accelerators to speed up transitions, eliminating any need for external pullup resistors. For applications such as I<sup>2</sup>C or 1-wire that require an external pullup resistor, please consult the MAX3378E and MAX3396E data sheets.

### UCSP Applications Information

For the latest application details on UCSP construction, dimensions, tape carrier information, PCB techniques, bump-pad layout, and recommended reflow temperature profiles, as well as the latest information on reliability testing results, go to Maxim's website at [www.maxim-ic.com/ucsp](http://www.maxim-ic.com/ucsp) to find the Application Note: *UCSP – A Wafer-Level Chip-Scale Package*.

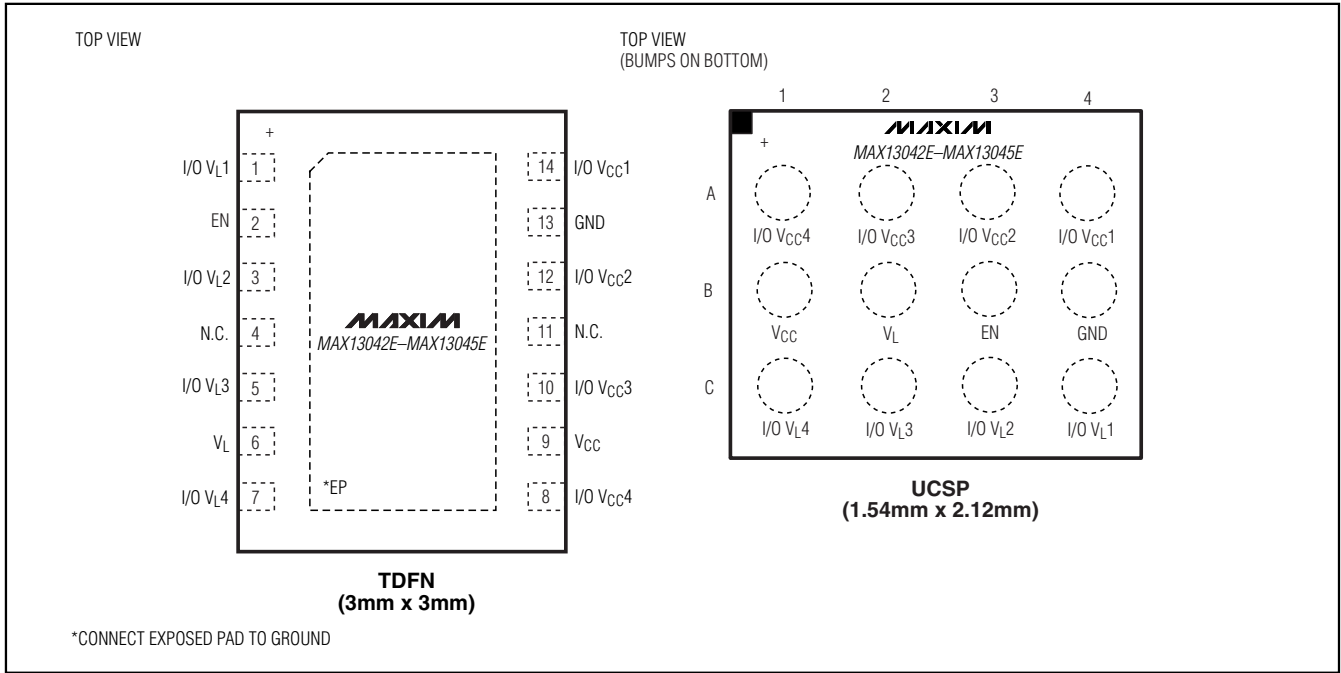
### Chip Information

PROCESS: BiCMOS

# 1.62V to 3.6V Improved High-Speed LLT

## Pin Configurations

**MAX13042E-MAX13045E**



## Ordering Information/Selector Guide (continued)

PART	PIN-PACKAGE	I/O VL STATE DURING SHUTDOWN	I/O VCC STATE DURING SHUTDOWN	TOP MARK	PKG CODE
MAX13043EEBC+T	12 UCSP-12	High Impedance	16.5kΩ to GND	ADR	B12-3
MAX13043EETD+T	14 TDFN-EP**	High Impedance	16.5kΩ to GND	ADF	T1433-2
MAX13044EEBC+T*	12 UCSP-12	16.5kΩ to GND	High Impedance	ADS	B12-3
MAX13044EETD+T*	14 TDFN-EP**	16.5kΩ to GND	High Impedance	ADG	T1433-2
MAX13045EEBC+T*	12 UCSP-12	16.5kΩ to GND	16.5kΩ to GND	ADT	B12-3
MAX13045EETD+T*	14 TDFN-EP**	16.5kΩ to GND	16.5kΩ to GND	ADH	T1433-2

**Note:** All devices operate over the -40°C to +85°C temperature range.  
+Denotes a lead-free package.

\*Future product—contact factory for availability.  
\*\*EP = Exposed paddle.

# 1.62V to 3.6V Improved High-Speed LLT

## Package Information

(The package drawing(s) in this data sheet may not reflect the most current specifications. For the latest package outline information, go to [www.maxim-ic.com/packages](http://www.maxim-ic.com/packages).)

**TOP VIEW**

COMMON DIMENSIONS	
A	0.62±0.05-0.08
A1	0.29±0.02
A2	0.33 REF.
b	∅0.35±0.03
D1	1.00 BASIC
E1	1.50 BASIC
e	0.50 BASIC
SD	0.00 BASIC
SE	0.25 BASIC

PKG. CODE	VARIABLE DIMENSIONS		DEPOPULATED SOLDER BALLS
	D	E	
B12-1	1.54±0.05	2.02±0.05	NONE
B12-2	1.54±0.05	2.02±0.05	B3
B12-3	1.54±0.05	2.12±0.05	NONE
B12-4	1.54±0.05	2.02±0.05	B2, B3
B12-5	1.64±0.05	2.12±0.05	B2
B12-6	1.64±0.05	2.12±0.05	B3
B12-7	1.54±0.05	2.02±0.05	B1, B3
B12-8	1.54±0.05	2.02±0.05	B2
B12-9	1.54±0.05	2.12±0.05	B2, B3
B12-10	1.54±0.05	2.02±0.05	B1, B2, B3, B4
B12-11	1.54±0.05	2.02±0.05	A2, C3

**NOTES:**

- ALL DIMENSIONS ARE IN MILLIMETERS.
- PRODUCT MARKING: NUMBER OF CHARACTERS AND LINES VARY PER PRODUCT.

**BOTTOM VIEW**

**SIDE VIEW**

	DALLAS SEMICONDUCTOR	MAXIM
PROPRIETARY INFORMATION		
TITLE: PACKAGE OUTLINE, 4x3 UCSP		
APPROVAL	DOCUMENT CONTROL NO. 21-0104	REV. F 1/1

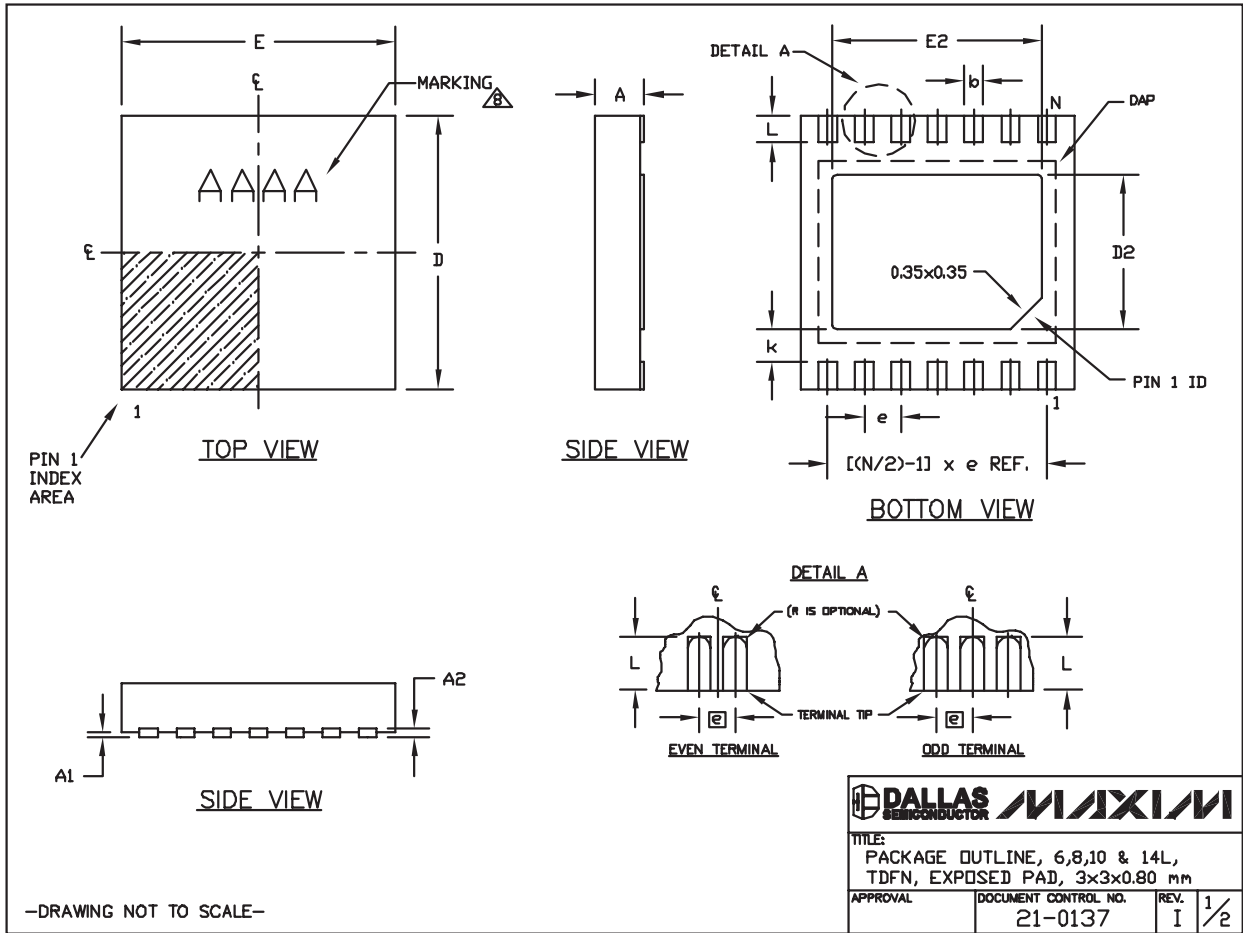
12L, UCSP 4x3 EFS

# 1.62V to 3.6V Improved High-Speed LLT

## Package Information (continued)

(The package drawing(s) in this data sheet may not reflect the most current specifications. For the latest package outline information, go to [www.maxim-ic.com/packages](http://www.maxim-ic.com/packages).)

MAX13042E-MAX13045E



# 1.62V to 3.6V Improved High-Speed LLT

## Package Information (continued)

(The package drawing(s) in this data sheet may not reflect the most current specifications. For the latest package outline information, go to [www.maxim-ic.com/packages](http://www.maxim-ic.com/packages).)


COMMON DIMENSIONS		
SYMBOL	MIN.	MAX.
A	0.70	0.80
D	2.90	3.10
E	2.90	3.10
A1	0.00	0.05
L	0.20	0.40
k	0.25 MIN.	
A2	0.20 REF.	

PACKAGE VARIATIONS								
PKG. CODE	N	D2	E2	e	JEDEC SPEC	b	[(N/2)-1] x e	
T633-2	6	1.50±0.10	2.30±0.10	0.95 BSC	MO229 / WEEA	0.40±0.05	1.90 REF	
T833-2	8	1.50±0.10	2.30±0.10	0.65 BSC	MO229 / WEEC	0.30±0.05	1.95 REF	
T833-3	8	1.50±0.10	2.30±0.10	0.65 BSC	MO229 / WEEC	0.30±0.05	1.95 REF	
T1033-1	10	1.50±0.10	2.30±0.10	0.50 BSC	MO229 / WEED-3	0.25±0.05	2.00 REF	
T1033-2	10	1.50±0.10	2.30±0.10	0.50 BSC	MO229 / WEED-3	0.25±0.05	2.00 REF	
T1433-1	14	1.70±0.10	2.30±0.10	0.40 BSC	----	0.20±0.05	2.40 REF	
T1433-2	14	1.70±0.10	2.30±0.10	0.40 BSC	----	0.20±0.05	2.40 REF	

**NOTES:**

1. ALL DIMENSIONS ARE IN mm. ANGLES IN DEGREES.
2. COPLANARITY SHALL NOT EXCEED 0.08 mm.
3. WARPAGE SHALL NOT EXCEED 0.10 mm.
4. PACKAGE LENGTH/PACKAGE WIDTH ARE CONSIDERED AS SPECIAL CHARACTERISTIC(S).
5. DRAWING CONFORMS TO JEDEC MO229, EXCEPT DIMENSIONS "D2" AND "E2", AND T1433-1 & T1433-2.
6. "N" IS THE TOTAL NUMBER OF LEADS.
7. NUMBER OF LEADS SHOWN ARE FOR REFERENCE ONLY.
- ⚠ MARKING IS FOR PACKAGE ORIENTATION REFERENCE ONLY.

—DRAWING NOT TO SCALE—

		
<b>TITLE:</b> PACKAGE OUTLINE, 6,8,10 & 14L, TDFN, EXPOSED PAD, 3x3x0.80 mm		
<b>APPROVAL</b>	<b>DOCUMENT CONTROL NO.</b> 21-0137	<b>REV.</b> I 2/2

Maxim cannot assume responsibility for use of any circuitry other than circuitry entirely embodied in a Maxim product. No circuit patent licenses are implied. Maxim reserves the right to change the circuitry and specifications without notice at any time.

14 **Maxim Integrated Products, 120 San Gabriel Drive, Sunnyvale, CA 94086 408-737-7600**

Компания «Океан Электроники» предлагает заключение долгосрочных отношений при поставках импортных электронных компонентов на взаимовыгодных условиях!

Наши преимущества:

- Поставка оригинальных импортных электронных компонентов напрямую с производств Америки, Европы и Азии, а так же с крупнейших складов мира;
- Широкая линейка поставок активных и пассивных импортных электронных компонентов (более 30 млн. наименований);
- Поставка сложных, дефицитных, либо снятых с производства позиций;
- Оперативные сроки поставки под заказ (от 5 рабочих дней);
- Экспресс доставка в любую точку России;
- Помощь Конструкторского Отдела и консультации квалифицированных инженеров;
- Техническая поддержка проекта, помощь в подборе аналогов, поставка прототипов;
- Поставка электронных компонентов под контролем ВП;
- Система менеджмента качества сертифицирована по Международному стандарту ISO 9001;
- При необходимости вся продукция военного и аэрокосмического назначения проходит испытания и сертификацию в лаборатории (по согласованию с заказчиком);
- Поставка специализированных компонентов военного и аэрокосмического уровня качества (Xilinx, Altera, Analog Devices, Intersil, Interpoint, Microsemi, Actel, Aeroflex, Peregrine, VPT, Syfer, Eurofarad, Texas Instruments, MS Kennedy, Miteq, Cobham, E2V, MA-COM, Hittite, Mini-Circuits, General Dynamics и др.);

Компания «Океан Электроники» является официальным дистрибьютором и эксклюзивным представителем в России одного из крупнейших производителей разъемов военного и аэрокосмического назначения «JONHON», а так же официальным дистрибьютором и эксклюзивным представителем в России производителя высокотехнологичных и надежных решений для передачи СВЧ сигналов «FORSTAR».



## JONHON

«JONHON» (основан в 1970 г.)

Разъемы специального, военного и аэрокосмического назначения:

(Применяются в военной, авиационной, аэрокосмической, морской, железнодорожной, горно- и нефтедобывающей отраслях промышленности)

«FORSTAR» (основан в 1998 г.)

ВЧ соединители, коаксиальные кабели, кабельные сборки и микроволновые компоненты:

(Применяются в телекоммуникациях гражданского и специального назначения, в средствах связи, РЛС, а так же военной, авиационной и аэрокосмической отраслях промышленности).



Телефон: 8 (812) 309-75-97 (многоканальный)

Факс: 8 (812) 320-03-32

Электронная почта: [ocean@oceanchips.ru](mailto:ocean@oceanchips.ru)

Web: <http://oceanchips.ru/>

Адрес: 198099, г. Санкт-Петербург, ул. Калинина, д. 2, корп. 4, лит. А