

# NCP5181BAL36WEVB

## NCP5181 36 W Ballast Evaluation Board User's Manual



ON Semiconductor®

<http://onsemi.com>

### EVAl BOARD USER'S MANUAL

#### Description

This document describes how the NCP5181 driver can be implemented in a ballast application. The scope of this evaluation board user's manual is to highlight the NCP5181 driver and not to explain or detail how to build an electronic ballast.

The NCP5181 is a high voltage power MOSFET driver providing two outputs for direct drive of two N-channel power MOSFETs arranged in a half-bridge (or any other high-side + low-side topology) configuration.

It uses the bootstrap technique to ensure a proper drive of the high-side power switch. The driver works with two independent inputs to accommodate with any topology (including half-bridge, asymmetrical half-bridge, active clamp and full-bridge).

#### Evaluation Board Specification

- Input Range: 85 – 145 Vac OR 184 – 265 Vac
- Ballast Output Power: 36 W (type PL–L 36 W)
- Pre-heating Current: 295 mA
- Pre-heating Time: 1 second
- Nominal Current: 414 mA

#### Detailed Operation

The lamp ballast is powered via a half bridge configuration. The two power MOSFETs are driven with the NCP5181 driver. The driver is supplied by the  $V_{CC}$  rail, and the high side driver is supplied by the bootstrap diode: when the low side power MOSFET (Q2) is switched ON, the BRIDGE pin is pulled down to the ground, thus the capacitor connected between the BRIDGE pin and VBOOT pin is refuelled via the diode D3 and the resistor R5 connected to  $V_{CC}$ . When Q2 is switched OFF, the bootstrap capacitor C6 supplies the high side driver with a voltage equal to  $V_{CC}$  level minus D3 forward voltage diode. Given the NCP5181 architecture, it is up to the designer to generate the right input signal polarity. This includes a dead time to avoid a short circuit between the high and low side power MOSFET.

The 555 timer generates only one signal for the driver, the second one, in opposite phase is built by inserting an NPN transistor (Q4) for inverting the signal. Afterwards, the dead time is built with R2, D2 and C13 (typically 260 ns, see Figure 2).

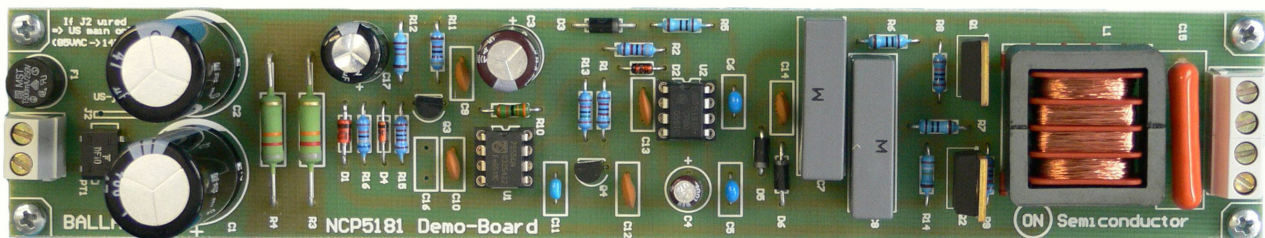


Figure 1. NCP5181 Evaluation Board

**WARNING:** BEFORE PLUGGING IN THE EVALUATION BOARD, MAKE SURE THE JUMPER IS IN THE CORRECT POSITION: IF J2 IS USED, THEN  $V_{in}$  MUST BE LOWER THAN 145 Vac.

# NCP5181BAL36WEVB

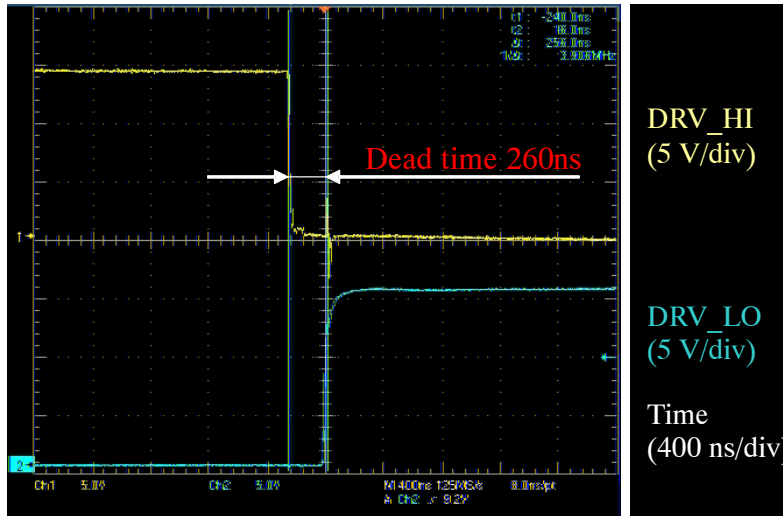


Figure 2. Dead Time Between the High and Low Side Driver

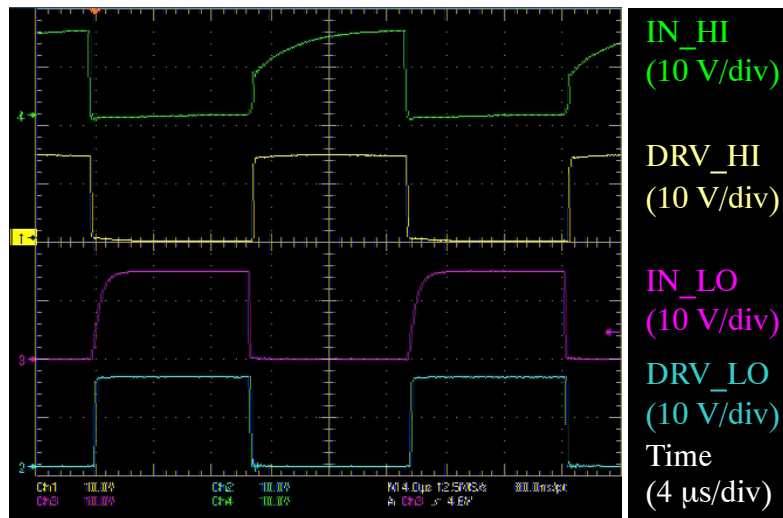


Figure 3. Input Output Timing Diagram

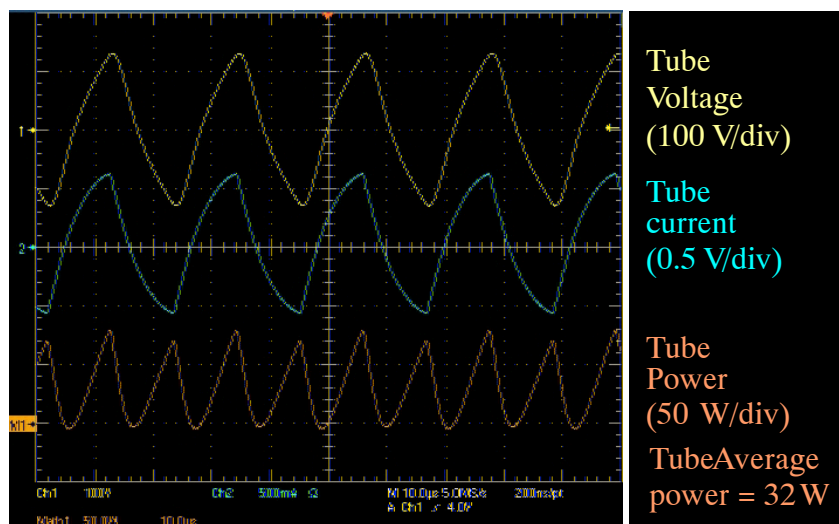


Figure 4. Tube Signals

# NCP5181BAL36WEVB

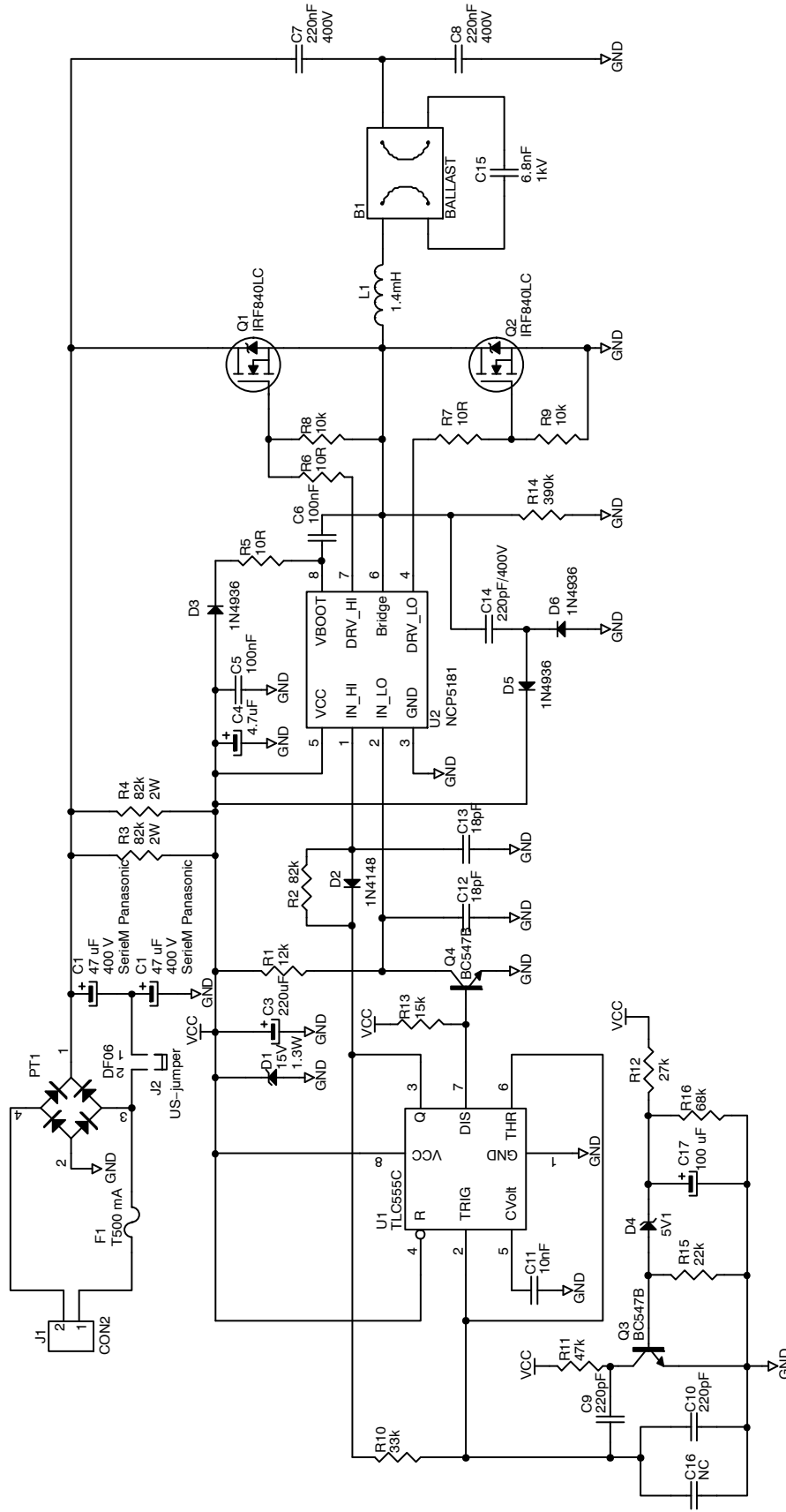


Figure 5. Evaluation Board Schematic

NCP5181BAL36WEVB

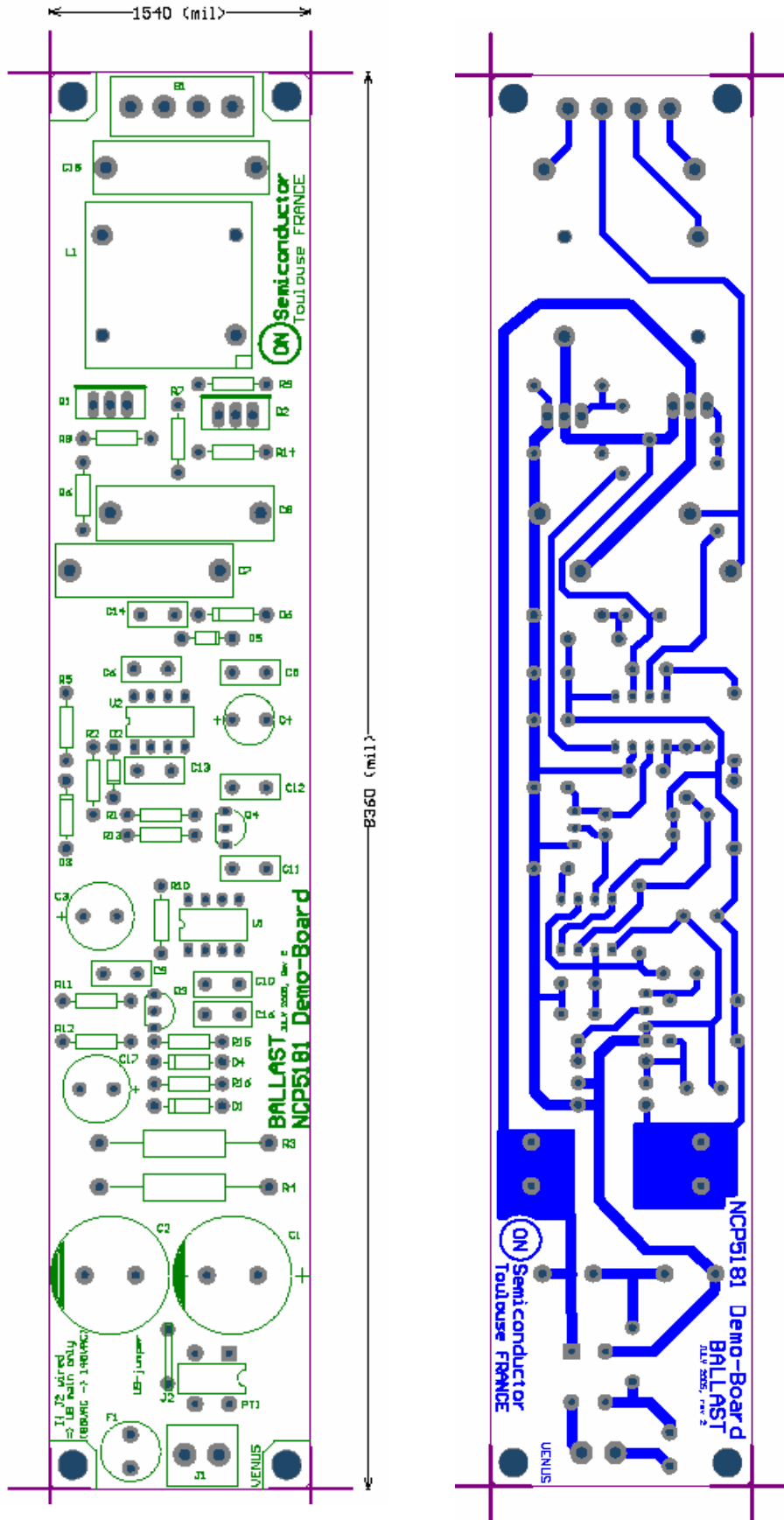


Figure 6. PCB Printout: Top and Bottom View

# NCP5181BAL36WEVB

## TEST PROCEDURE

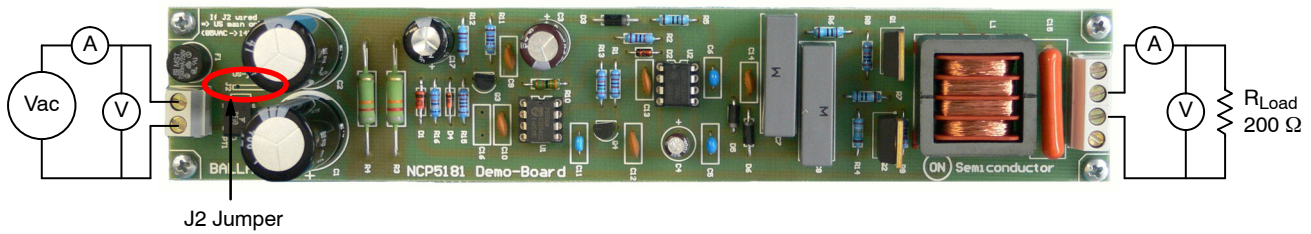


Figure 7. Test Setup Connection

Table 1. REQUIRED EQUIPMENT

AC Power Source can be able to deliver 230 V <sub>rms</sub> or 110 V <sub>rms</sub>	Two Volt-meters	Two Ampere-meters
1 Resistive Load: 200 Ω/50 W	One NCP5181 Evaluation Board	-

### Test Procedure

1. First of all check if you need jumper #2 (J2 on the board close the diode bridge). This jumper must be removed for use with European mains (230 Vac input voltage), and must be in place when using US mains (110 Vac). This jumper is used to build a voltage doubler just after the bridge diode in case one is using US mains input voltage range.
2. Connect the test setup as shown in Figure 7:
  - AC Source

- Voltmeter and Ammeter on the Load
  - Load on the Output
3. Apply 230 Vac for European mains or 110 Vac for US mains on the input connector.
  4. Check I<sub>Load</sub> and V<sub>Load</sub> with the appropriate value in the table below.
  5. If you get the correct output and input voltage, you can then connect a 36 W fluorescent tube on the output (see Figure 8).

Table 2. TEST RESULTS

Input Mains	J2	V <sub>in</sub> (V <sub>rms</sub> )	I <sub>in</sub> (A <sub>rms</sub> )	V <sub>Load</sub> (V <sub>rms</sub> )	I <sub>Load</sub> (A <sub>rms</sub> )
European	Removed	230 V	278 mA	303 V	370 mA
US	Yes → Max Input Voltage: 132 V <sub>rms</sub>	110 V	514 mA	263 V	340 mA

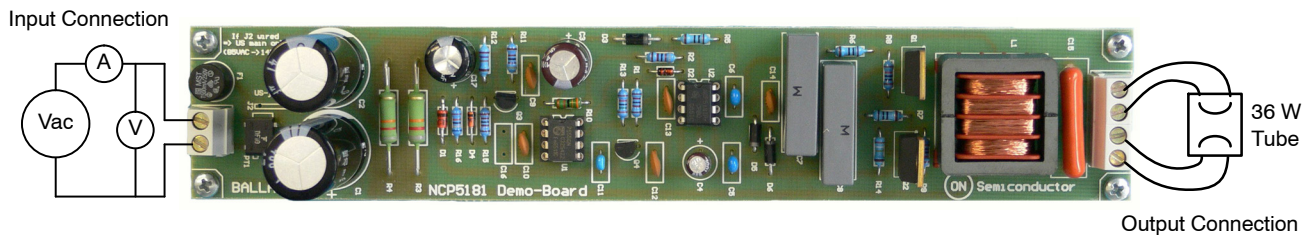


Figure 8. Ballast Connection

# NCP5181BAL36WEVB

**Table 3. BILL OF MATERIAL FOR THE NCP5181 EVALUATION BOARD**

Designator	Qty.	Description	Value	Tolerance	Footprint	Manufacturer	Manufacturer Part Number	Substitution Allowed	Lead Free
U2	1	NCP5181	NA	NA	DIP8	ON Semiconductor	NCP5181PG	No	Yes
U1	1	CMOS IC	Analog/Timer	NA	DIP8	Texas Instruments	TLC555CP	Yes	No
C1, C2	2	Electrolytic Capacitor	47 $\mu$ F, 400 V	20%	Radial	Panasonic	ECA2GM470	Yes	No
C3	1	Electrolytic Capacitor	220 $\mu$ F, 16 V	20%	Radial	Panasonic	ECA1CM221	Yes	No
C4	1	Electrolytic Capacitor	4.7 $\mu$ F, 63 V	20%	Radial	Panasonic	EEUEB1J4R7	Yes	No
C5, C6	2	Capacitor	100 nF, 50 V	10%	Radial	Murata	RPER71H104K2M1A05U	Yes	No
C7, C8	2	Capacitor	220 nF, 400 V	10%	Radial	Vishay	MKT1822422405	Yes	No
C9, C10	2	Capacitor	220 nF, 100 V	5%	Radial	Murata	RPE5C2A221J2M1Z05A	Yes	No
C11	1	Capacitor	10 nF, 100 V	10%	Radial	Murata	RPER72A103K2M1B05A	Yes	No
C12, C13	2	Capacitor	18 pF, 100 V	2%	Radial	Vishay	2252 586 20154	Yes	Yes
C14	1	Capacitor	220 pF, 400 V	10%	Radial	Panasonic	ECKATS221KB	Yes	No
C15	1	Capacitor	6.8 nF, 1600 V	5%	Radial	Vishay	2222 375 30682	Yes	No
C16	1	Capacitor	NC	-	Radial	-	-	-	-
C17	1	Electrolytic Capacitor	100 $\mu$ F, 16 V	20%	Radial	Panasonic	ECA1CM101	Yes	No
D1	1	Zener Diode	15 V, 1.3 W	5%	Axial	Vishay	BZX85C15	Yes	No
D2	1	High-speed Diode	0.2 A, 75 V	NA	Axial	Philips Semiconductor	1N4148	Yes	No
D3, D5, D6	3	Rectifier Diode	1 A, 400 V	NA	Axial	ON Semiconductor	1N4936G	Yes	Yes
D4	1	Zener Diode	5.1 V, 1.3 W	5%	Axial	Vishay	BZX85C5V1	Yes	No
F1	1	Fuse	500 mA, 250 V	NA	Radial	Schurter	0034.6612	Yes	No
L1	1	Inductor	1.4 mH	NA	NA	Vogt	53-044	No	No
PT1	1	Diode Bridge	600 V, 1 A	NA	DFM	Vishay	DF06M	Yes	No
R1	1	Resistor	12 k $\Omega$ , 0.33 W	5%	Axial	Vishay	CFA020712K	Yes	No
R2	1	Resistor	82 k $\Omega$ , 0.33 W	5%	Axial	Vishay	CFA020782K	Yes	No
R3, R4	2	Resistor	82 k $\Omega$ , 3 W	5%	Axial	Vishay	CPF382K000JN	Yes	No
R5, R6, R7	3	Resistor	10 $\Omega$ , 0.33 W	5%	Axial	Vishay	CFA020710R	Yes	No
R8, R9	2	Resistor	10 k $\Omega$ , 0.33 W	5%	Axial	Yageo	CFA020710K	Yes	No
R10	1	Resistor	33 k $\Omega$ , 0.33 W	5%	Axial	Vishay	CFA020733K	Yes	No
R11	1	Resistor	47 k $\Omega$ , 0.33 W	5%	Axial	Vishay	CFA020747K	Yes	No
R12	1	Resistor	27 k $\Omega$ , 0.33 W	5%	Axial	Vishay	CFA020727K	Yes	No
R13	1	Resistor	15 k $\Omega$ , 0.33 W	5%	Axial	Vishay	CFA020715K	Yes	No
R14	1	Resistor	390 k $\Omega$ , 0.33 W	5%	Axial	Vishay	CFA0207390K	Yes	No
R15	1	Resistor	22 k $\Omega$ , 0.33 W	5%	Axial	Vishay	CFA020722K	Yes	No
R16	1	Resistor	68 k $\Omega$ , 0.33 W	5%	Axial	Vishay	CFA020768K	Yes	No
Q1, Q2	2	Power MOSFET N-channel	8 A, 500 V	NA	TO220	International Rectifier	IRF840LC	Yes	No
Q3, Q4	2	NPN Transistor	100 mA, 45 V	NA	TO-92	ON Semiconductor	BC547BG	Yes	Yes
B1, J1	2	Connector	2/''	NA	5.08 mm	Weidmuller	PM5.08/2/90 (1760510000)	Yes	No
J2	1	Jumper Resistor	0 $\Omega$ , 0.25 W	NA	Axial	Yageo	ZOR-25-B-52	Yes	No

**ON Semiconductor** and **ON** are registered trademarks of Semiconductor Components Industries, LLC (SCILLC). SCILLC owns the rights to a number of patents, trademarks, copyrights, trade secrets, and other intellectual property. A listing of SCILLC's product/patent coverage may be accessed at [www.onsemi.com/site/pdf/Patent-Marking.pdf](http://www.onsemi.com/site/pdf/Patent-Marking.pdf). SCILLC reserves the right to make changes without further notice to any products herein. SCILLC makes no warranty, representation or guarantee regarding the suitability of its products for any particular purpose, nor does SCILLC assume any liability arising out of the application or use of any product or circuit, and specifically disclaims any and all liability, including without limitation special, consequential or incidental damages. "Typical" parameters which may be provided in SCILLC data sheets and/or specifications can and do vary in different applications and actual performance may vary over time. All operating parameters, including "Typicals" must be validated for each customer application by customer's technical experts. SCILLC does not convey any license under its patent rights nor the rights of others. SCILLC products are not designed, intended, or authorized for use as components in systems intended for surgical implant into the body, or other applications intended to support or sustain life, or for any other application in which the failure of the SCILLC product could create a situation where personal injury or death may occur. Should Buyer purchase or use SCILLC products for any such unintended or unauthorized application, Buyer shall indemnify and hold SCILLC and its officers, employees, subsidiaries, affiliates, and distributors harmless against all claims, costs, damages, and expenses, and reasonable attorney fees arising out of, directly or indirectly, any claim of personal injury or death associated with such unintended or unauthorized use, even if such claim alleges that SCILLC was negligent regarding the design or manufacture of the part. SCILLC is an Equal Opportunity/Affirmative Action Employer. This literature is subject to all applicable copyright laws and is not for resale in any manner.

## PUBLICATION ORDERING INFORMATION

### LITERATURE FULFILLMENT:

Literature Distribution Center for ON Semiconductor  
P.O. Box 5163, Denver, Colorado 80217 USA  
**Phone:** 303-675-2175 or 800-344-3860 Toll Free USA/Canada  
**Fax:** 303-675-2176 or 800-344-3867 Toll Free USA/Canada  
**Email:** [orderlit@onsemi.com](mailto:orderlit@onsemi.com)

**N. American Technical Support:** 800-282-9855 Toll Free  
USA/Canada  
**Europe, Middle East and Africa Technical Support:**  
Phone: 421 33 790 2910  
**Japan Customer Focus Center**  
Phone: 81-3-5817-1050

**ON Semiconductor Website:** [www.onsemi.com](http://www.onsemi.com)  
**Order Literature:** <http://www.onsemi.com/orderlit>  
For additional information, please contact your local  
Sales Representative

Компания «Океан Электроники» предлагает заключение долгосрочных отношений при поставках импортных электронных компонентов на взаимовыгодных условиях!

Наши преимущества:

- Поставка оригинальных импортных электронных компонентов напрямую с производств Америки, Европы и Азии, а так же с крупнейших складов мира;
- Широкая линейка поставок активных и пассивных импортных электронных компонентов (более 30 млн. наименований);
- Поставка сложных, дефицитных, либо снятых с производства позиций;
- Оперативные сроки поставки под заказ (от 5 рабочих дней);
- Экспресс доставка в любую точку России;
- Помощь Конструкторского Отдела и консультации квалифицированных инженеров;
- Техническая поддержка проекта, помощь в подборе аналогов, поставка прототипов;
- Поставка электронных компонентов под контролем ВП;
- Система менеджмента качества сертифицирована по Международному стандарту ISO 9001;
- При необходимости вся продукция военного и аэрокосмического назначения проходит испытания и сертификацию в лаборатории (по согласованию с заказчиком);
- Поставка специализированных компонентов военного и аэрокосмического уровня качества (Xilinx, Altera, Analog Devices, Intersil, Interpoint, Microsemi, Actel, Aeroflex, Peregrine, VPT, Syfer, Eurofarad, Texas Instruments, MS Kennedy, Miteq, Cobham, E2V, MA-COM, Hittite, Mini-Circuits, General Dynamics и др.);

Компания «Океан Электроники» является официальным дистрибьютором и эксклюзивным представителем в России одного из крупнейших производителей разъемов военного и аэрокосмического назначения «JONHON», а так же официальным дистрибьютором и эксклюзивным представителем в России производителя высокотехнологичных и надежных решений для передачи СВЧ сигналов «FORSTAR».



## JONHON

«JONHON» (основан в 1970 г.)

Разъемы специального, военного и аэрокосмического назначения:

(Применяются в военной, авиационной, аэрокосмической, морской, железнодорожной, горно- и нефтедобывающей отраслях промышленности)

«FORSTAR» (основан в 1998 г.)

ВЧ соединители, коаксиальные кабели, кабельные сборки и микроволновые компоненты:

(Применяются в телекоммуникациях гражданского и специального назначения, в средствах связи, РЛС, а так же военной, авиационной и аэрокосмической отраслях промышленности).



Телефон: 8 (812) 309-75-97 (многоканальный)

Факс: 8 (812) 320-03-32

Электронная почта: [ocean@oceanchips.ru](mailto:ocean@oceanchips.ru)

Web: <http://oceanchips.ru/>

Адрес: 198099, г. Санкт-Петербург, ул. Калинина, д. 2, корп. 4, лит. А