

PLEASE CHECK WWW.MOLEX.COM FOR LATEST PART INFORMATION

Part Number: [0670689001](#)
Status: **Active**
Description: Universal Serial Bus (USB) Shielded I/O Type B Receptacle, Right Angle, with Kinked Solder Tabs, Color White, 0.76µm (30µ") Gold(Au)Plating, Tray Pack, Lead Free

Documents:

[3D Model](#) [Product Specification PS-67998-0000 \(PDF\)](#)
[Drawing \(PDF\)](#) [RoHS Certificate of Compliance \(PDF\)](#)

General

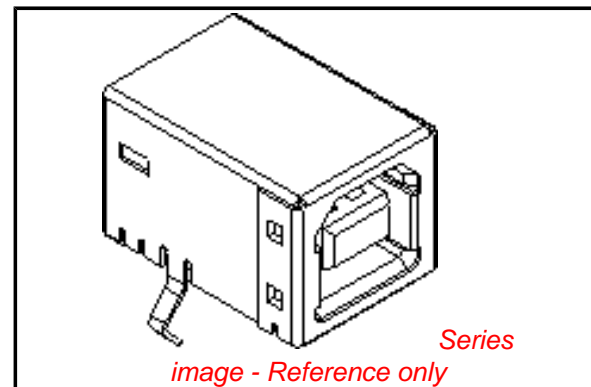
Product Family	I/O Connectors
Series	67068
Application	Wire-to-Board
Comments	Single
Component Type	Receptacle
Product Name	USB
Type	B

Physical

Boot Color	N/A
Circuits (Loaded)	4
Circuits (maximum)	4
Gender	Receptacle
Lock to Mating Part	Yes
Material - Plating Mating	Gold
Material - Plating Termination	Tin
Number of Rows	2
Orientation	Right Angle
PC Tail Length (in)	0.110 In
PC Tail Length (mm)	2.80 mm
PCB Locator	Yes
PCB Retention	Yes
PCB Thickness Recommended (in)	0.063 In
PCB Thickness Recommended (mm)	1.60 mm
Packaging Type	Tray
Panel Mount	No
Pitch - Mating Interface (in)	0.098 In
Pitch - Mating Interface (mm)	2.50 mm
Pitch - Term. Interface (in)	0.098 In
Pitch - Term. Interface (mm)	2.50 mm
Plating min: Mating (µin)	30
Plating min: Mating (µm)	0.76
Plating min: Termination (µin)	75
Plating min: Termination (µm)	1.90
Polarized to Mating Part	Yes
Polarized to PCB	Yes
Ports	1
Surface Mount Compatible (SMC)	Yes
Temperature Range - Operating	0°C to +50°C
Termination Interface: Style	Through Hole
Waterproof / Dustproof	No
Wire Size AWG	N/A

Electrical

Current - Maximum per Contact	1.5A
Shield Type	Full Shield



EU RoHS

**ELV and RoHS
Compliant**
**REACH SVHC
Contains SVHC: No**
**Halogen-Free
Status**

China RoHS



Not Halogen-Free

**Need more information on product
environmental compliance?**

Email productcompliance@molex.com
For a multiple part number RoHS Certificate of Compliance, [click here](#)

Please visit the [Contact Us](#) section for any non-product compliance questions.

Search Parts in this Series

[67068Series](#)

Mates With

[USB Type B Plug](#)

Shielded
Voltage - Maximum

Yes
30V (RMS)

Material Info

Old Part Number

67068-1001

Reference - Drawing Numbers

Product Specification

PS-67998-0000

Sales Drawing

SD-67068-003, SD-67068-004

This document was generated on 03/31/2010

PLEASE CHECK WWW.MOLEX.COM FOR LATEST PART INFORMATION

10 9 8 7 6 5 4 3 2 1

NOTES :

1. MATERIAL :
 HOUSING : (a) HIGH TEMP. NYLON ,GLASS FIBER FILLED,UL94V-0, COLOR: BLACK,
 (b) POLYESTER , GLASS FIBER FILLED,UL94V-0, COLOR: WHITE,
 TERMINAL : PHOSPHOR BRONZE
 METAL SHELL : COPPER ALLOY

2. PLATING :

TERMINAL :
 CONTACT AREA : (a) GOLD FLASH.
 (b) GLOD (Au), THICKNESS = 30 MICROINCH MINIMUM.
 /0.76 MICROMETER MINIMUM.

SOLDER TAIL :
 PURE TIN(Sn) THICKNESS= 75 MICROINCH MINIMUM .
 /1.9 MICROMETER MINIMUM.

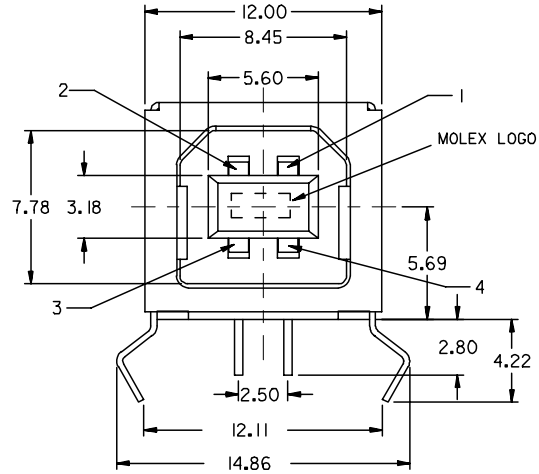
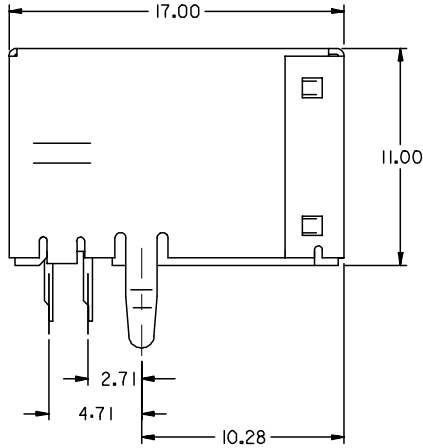
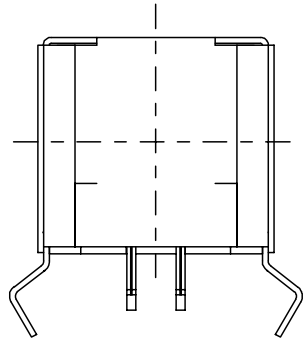
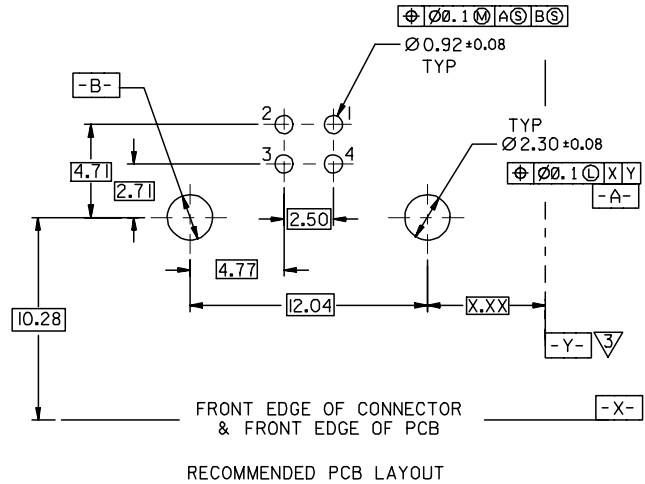
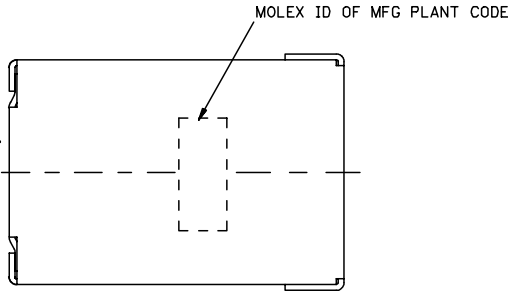
UNDER PLATE : NICKEL (Ni), THICKNESS= 50 MICROINCH MINIMUM.
 /1.27 MICROMETER MINIMUM.

METAL SHELL :
 PURE TIN(Sn) , THICKNESS= 50 MICROINCH MINIMUM.
 /1.27 MICROMETER MINIMUM.

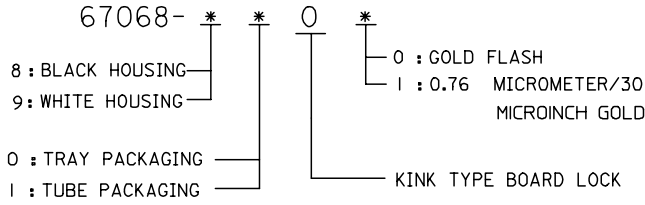
UNDER PLATE : NICKEL (Ni) , THICKNESS= 50 MICROINCH MINIMUM.
 /1.27 MICROMETER MINIMUM.

▽ DATUM AND BASIC DIMENSIONS ESTABLISHED BY CUSTOMER
 RECOMMENDED PCB THICKNESS : 1.60±0.05

4 PRODUCT SPECIFICATION : REFER TO PS-67998-0000



PART NUMBER LEGEND:



NEW RELEASE
 EC NO: SH2005-0142
 DRWN: DAVID HU 2004/11/5
 CHKD: HARVEY 2004/11/25
 APPR: TYAP 2004/11/25

QUALITY SYMBOLS	DESCRIPTION
▽=0	
▽C=0	

GENERAL TOLERANCES (UNLESS SPECIFIED)	
mm	INCH
4 PLACES ± ---	± ---
3 PLACES ± ---	± ---
2 PLACES ± 0.25	± ---
1 PLACE ± 0.25	± ---
ANGULAR ± 3 °	
DRAFT WHERE APPLICABLE MUST REMAIN WITHIN DIMENSIONS	

DIMENSION STYLE MM ONLY		SCALE 4:1	DESIGN UNITS METRIC	THIRD ANGLE PROJECTION
DRAWN BY DAVID HU	DATE 2004/11/05	TITLE	USB B TYPE CONNECTOR KINK TYPE BOARD LOCK (LEAD-FREE)	
CHECKED BY HARVEY	DATE 2004/11/05	MOLEX INCORPORATED		
APPROVED BY	DATE	MATERIAL NO.	DOCUMENT NO. SD-67068-003	SHEET NO. 1 OF 4

SEE NOTES
 THIS DRAWING CONTAINS INFORMATION THAT IS PROPRIETARY TO MOLEX INCORPORATED AND SHOULD NOT BE USED WITHOUT WRITTEN PERMISSION

9 8 7 6 5 4 3 2 1

10 9 8 7 6 5 4 3 2 1

NOTES :

1. MATERIAL :
 HOUSING : (a) HIGH TEMP. NYLON, GLASS FIBER FILLED, UL94V-0, COLOR: BLACK,
 (b) POLYESTER, GLASS FIBER FILLED, UL94V-0, COLOR: WHITE,
 TERMINAL : PHOSPHOR BRONZE
 METAL SHELL : COPPER ALLOY

2. PLATING :
 TERMINAL :
 CONTACT AREA : (a) GOLD FLASH.
 (b) GLOD (Au), THICKNESS = 30 MICROINCH MINIMUM.
 /0.76 MICROMETER MINIMUM.

SOLDER TAIL :
 PURE TIN(Sn) THICKNESS= 75 MICROINCH MINIMUM .
 /1.9 MICROMETER MINIMUM.

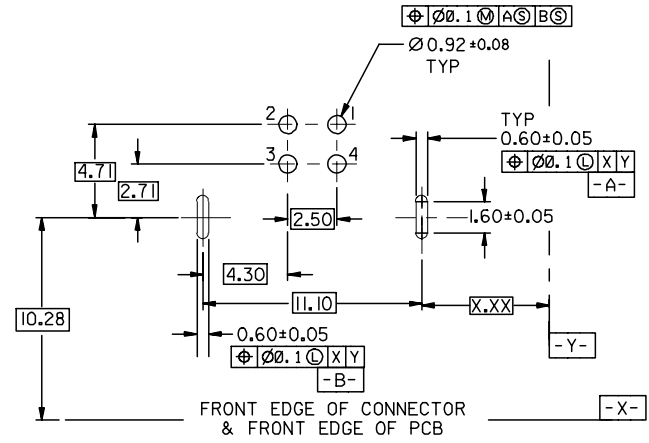
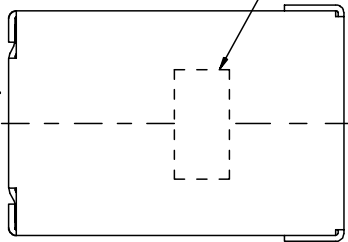
UNDER PLATE : NICKEL (Ni), THICKNESS= 50 MICROINCH MINIMUM.
 /1.27 MICROMETER MINIMUM.

METAL SHELL :
 PURE TIN(Sn) THICKNESS= 50 MICROINCH MINIMUM.
 /1.27 MICROMETER MINIMUM.

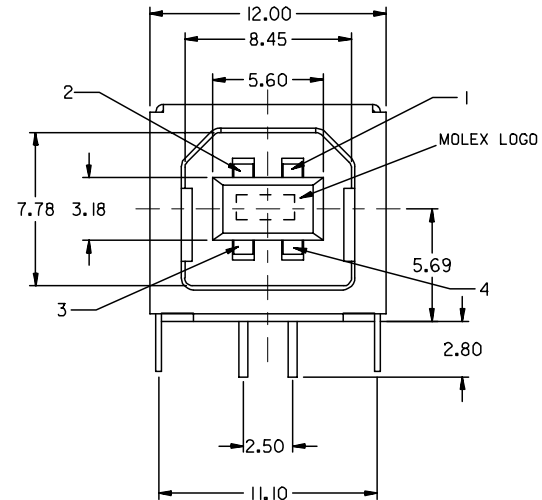
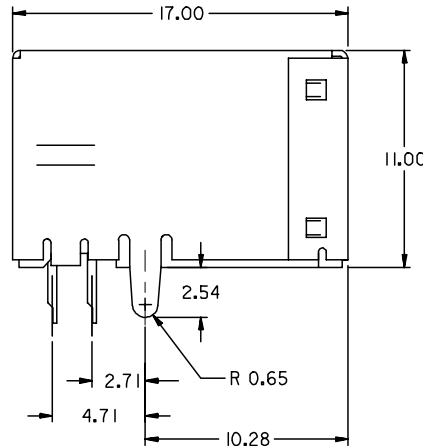
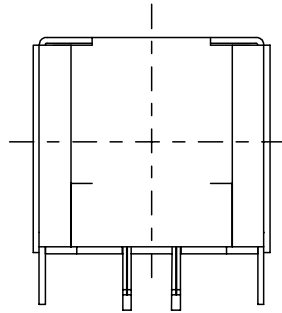
UNDER PLATE : NICKEL (Ni), THICKNESS= 50 MICROINCH MINIMUM.
 /1.27 MICROMETER MINIMUM.

3 DATUM AND BASIC DIMENSIONS ESTABLISHED BY CUSTOMER
 RECOMMENDED PCB THICKNESS : 1.60±0.05
 4 PRODUCT SPECIFICATION ; REFER TO PS-67998-0000

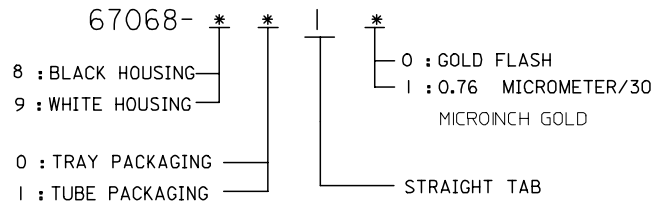
MOLEX ID OF MFG PLANT CODE



RECOMMENDED PCB LAYOUT



PART NUMBER LEGEND:



NEW RELEASE	DESCRIPTION
EC NO: SH2005-0142	REV
DRWN: DAVID HU 2004/11/05	
CHKD: HARVEY 2004/11/25	
APPR: TYAP 2004/11/25	

QUALITY SYMBOLS
▽=0
▽C=0

GENERAL TOLERANCES (UNLESS SPECIFIED)
4 PLACES ± --- ± ---
3 PLACES ± --- ± ---
2 PLACES ± 0.25 ± --- 2004/11/05
1 PLACE ± 0.25 ± ---
ANGULAR ± 3 °
DRAFT WHERE APPLICABLE MUST REMAIN WITHIN DIMENSIONS

DIMENSION STYLE MM ONLY	SCALE 4:1	DESIGN UNITS METRIC	THIRD ANGLE PROJECTION
DRAWN BY DAVID HU	DATE 2004/11/05	TITLE USB B TYPE CONNECTOR WITH STRAIGHT TAB (LEAD-FREE)	
CHECKED BY	DATE 2004/11/05		
APPROVED BY	DATE		
MATERIAL NO.	DOCUMENT NO. SD-67068-003	SHEET NO. 2	

MOLEX INCORPORATED
SEE NOTES
THIS DRAWING CONTAINS INFORMATION THAT IS PROPRIETARY TO MOLEX INCORPORATED AND SHOULD NOT BE USED WITHOUT WRITTEN PERMISSION

9 8 7 6 5 4 3 2 1

8 7 6 5 4 3 2 1

NOTES :
 1. MATERIAL :
 HOUSING : (a) HIGH TEMP. NYLON, GLASS FIBER FILLED, UL94V-0, COLOR: BLACK,

TERMINAL : PHOSPHOR BRONZE
 METAL SHELL : COPPER ALLOY

2. PLATING :
 TERMINAL :
 CONTACT AREA : (a) GOLD FLASH.
 (b) GL0D (Au), THICKNESS = 30 MICROINCH MINIMUM.
 /0.76 MICROMETER MINIMUM.

SOLDER TAIL :
 PURE TIN(Sn) THICKNESS= 75 MICROINCH MINIMUM .
 /1.9 MICROMETER MINIMUM.

UNDER PLATE : NICKEL (Ni), THICKNESS= 50 MICROINCH MINIMUM.
 /1.27 MICROMETER MINIMUM.

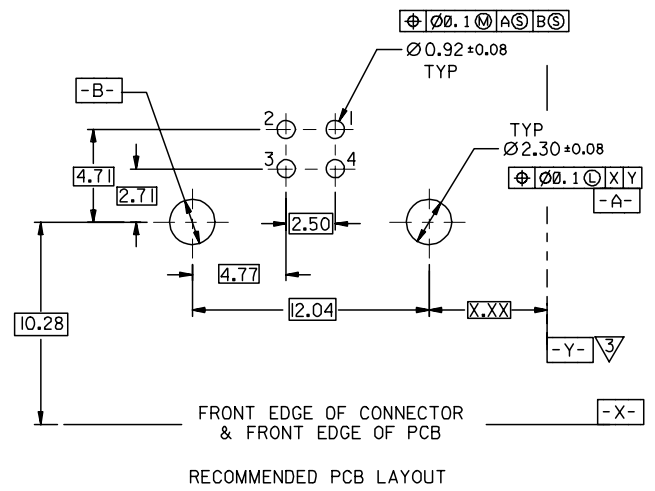
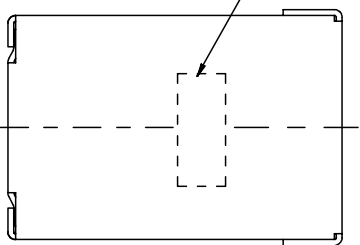
METAL SHELL :
 PURE TIN(SN), THICKNESS= 50 MICROINCH MINIMUM.
 /1.27 MICROMETER MINIMUM.

UNDER PLATE : NICKEL (Ni), THICKNESS= 50 MICROINCH MINIMUM.
 /1.27 MICROMETER MINIMUM.

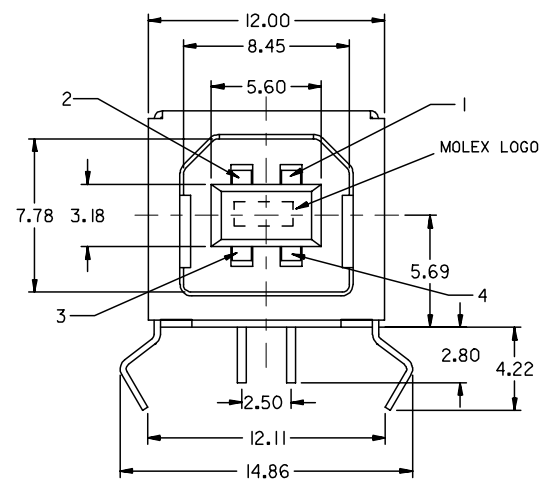
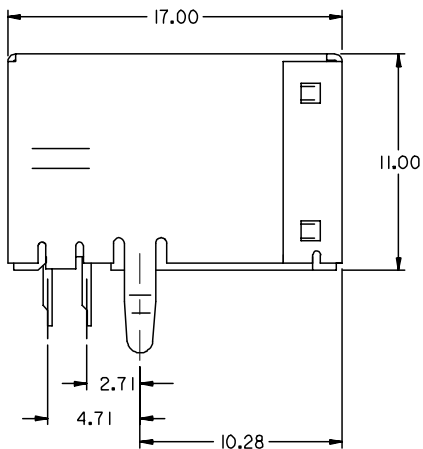
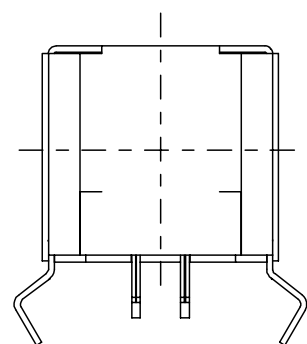
▽ DATUM AND BASIC DIMENSIONS ESTABLISHED BY CUSTOMER
 RECOMMENDED PCB THICKNESS : 1.60±0.05

4 PRODUCT SPECIFICATION : REFER TO PS-67998-0000

MOLEX ID OF MFG PLANT CODE



FRONT EDGE OF CONNECTOR
 & FRONT EDGE OF PCB
 RECOMMENDED PCB LAYOUT



PART NUMBER LEGEND:
 67068- 7041

				MATERIAL : SEE NOTES		 MOLEX TAIWAN LTD. SHEET 3 OF 4
				FINISH : SEE NOTES		
				WIRE RANGE :		GENERAL TOLERANCES ANGLE : ± 3° DIM : ± .25/.010
				INS. RANGE :		ENG. NO.: SD-67068-003
A	NEW RELEASE FOR LEAD-FREE		DAVID HU	2004/11/5		REV A
LTR	REVISION RECORD	ECN	DR	DATE	DRAWN BY 2004/11/5 DAVID HU	CHK'D BY
REVISE ONLY ON CAD SYSTEM					APPR'D BY	SCALE 4 : 1
TITLE : HIGH TEMP.USB B TYPE CONNECTOR KINK TYPE BOARD LOCK (LEAD-FREE)						

ENG. NO.
 EDP NO.
 SIMILAR ITEM
 CAD FILE :
 DO NOT SCALE DRAWING

F
 E
 D
 C
 B
 A

ENG. NO SDA-67068-****

EDP NO.

SIMILAR ITEM

CAD FILE : S6706802

DO NOT SCALE DRAWING

NOTES :

1. MATERIAL :

HOUSING : (a) HIGH TEMP. NYLON, GLASS FIBER FILLED, UL94V-0, COLOR: BLACK,

TERMINAL : PHOSPHOR BRONZE
METAL SHELL : COPPER ALLOY

2. PLATING :

TERMINAL :

CONTACT AREA : (a) GOLD FLASH.
(b) GL0D (Au), THICKNESS = 30 MICROINCH MINIMUM.
/0.76 MICROMETER MINIMUM.

SOLDER TAIL :

PURE TIN(Sn) THICKNESS= 75 MICROINCH MINIMUM .
/1.9 MICROMETER MINIMUM.

UNDER PLATE : NICKEL (Ni), THICKNESS= 50 MICROINCH MINIMUM.

/1.27 MICROMETER MINIMUM.

METAL SHELL :

PURE TIN(Sn) THICKNESS= 50 MICROINCH MINIMUM.
/1.27 MICROMETER MINIMUM.

UNDER PLATE : NICKEL (Ni), THICKNESS= 50 MICROINCH MINIMUM.

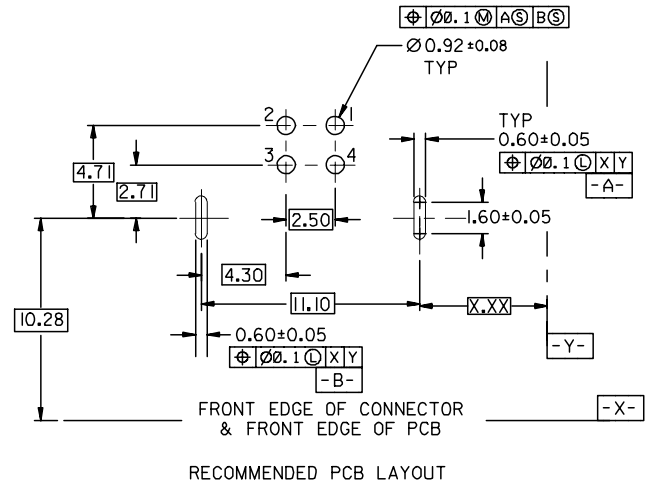
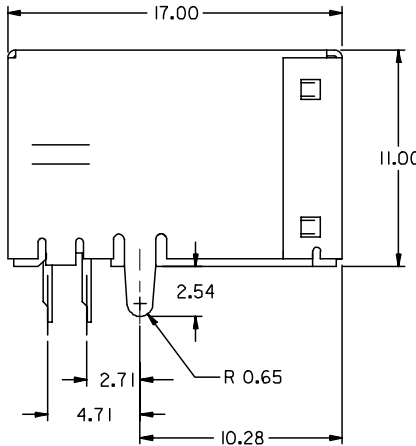
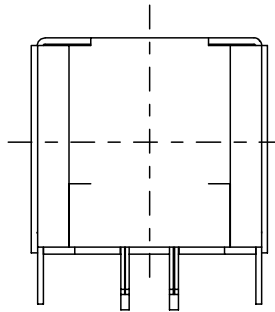
/1.27 MICROMETER MINIMUM.

3 DATUM AND BASIC DIMENSIONS ESTABLISHED BY CUSTOMER

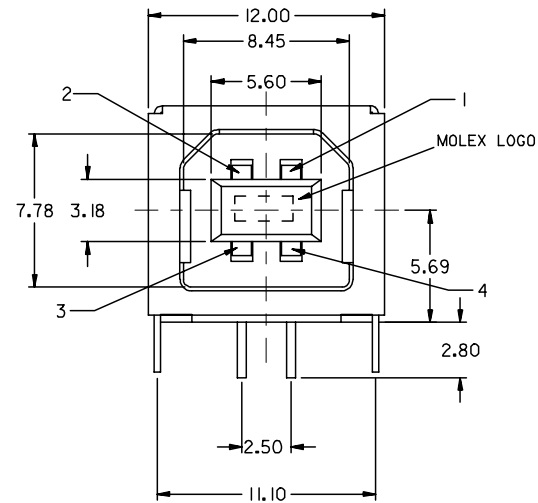
RECOMMENDED PCB THICKNESS : 1.60±0.05

4 PRODUCT SPECIFICATION : REFER TO PS-67998-0000

MOLEX ID OF MFG PLANT CODE




FRONT EDGE OF CONNECTOR & FRONT EDGE OF PCB
RECOMMENDED PCB LAYOUT



PART NUMBER LEGEND:

67068- 7051

				MATERIAL : SEE NOTES		 MOLEX TAIWAN LTD. SHEET 4 OF 4
				FINISH : SEE NOTES		
				WIRE RANGE :		GENERAL TOLERANCES ANGLE : ± 3° DIM : ± .25/.010
				INS. RANGE :		ENG. NO.: SD-67068-003
A	NEW RELEASE FOR LEAD-FREE	DAVID HU	2004/11/5	DRAWN BY 2004/11/5 DAVID HU		REV A
LTR	REVISION RECORD	ECN	DR	DATE	CHK'D BY	TITLE : HIGH TEMP USB B TYPE CONNECTOR WITH STRAIGHT TAB (LEAD-FREE)
REVISE ONLY ON CAD SYSTEM					APPR'D BY	SCALE 4 : 1

NOTES:

1.MATERIAL:

HOUSING:

- (a)HIGH TEMP,NYLON,GLASS FIBRE FILLED,UL94V-0,COLOR: 8BALCK
- (b)POLYESTER(PBT),30% GLASS FIBER FILLED,UL94V-0,COLOR: 9WHITE
- TERMINAL: PHOSPHOR BRONZE
- METAL SHELL: COPPER ALLOY

2.PLATING:

TERMINAL:

- (c)GOLD FLASH ON CONTACT AREA,75 MICROINCH MINIMUM PURE TIN(Sn) ON SOLDER TAIL,UNDER 50 MICROINCH MINIMUM NICKEL(Ni) PLATE.
- (d)30 MICROINCH MINIMUM GOLD(Au) ON CONTACT AREA,75 MICROINCH MINIMUM PURE TIN(Sn) ON SOLDER TAIL,UNDER 50 MICROINCH MINIMUM NICKEL(Ni) PLATE.
- (e)GOLD FLASH ON CONTACT AREA,75 MICROINCH MINIMUM MATTE TIN(Sn) ON SOLDER TAIL,UNDER 50 MICROINCH MINIMUM NICKEL(Ni) PLATE.
- (f)30 MICROINCH MINIMUM GOLD(Au) ON CONTACT AREA,75 MICROINCH MINIMUM MATTE TIN(Sn) ON SOLDER TAIL,UNDER 50 MICROINCH MINIMUM NICKEL(Ni) PLATE.

METAL SHELL:

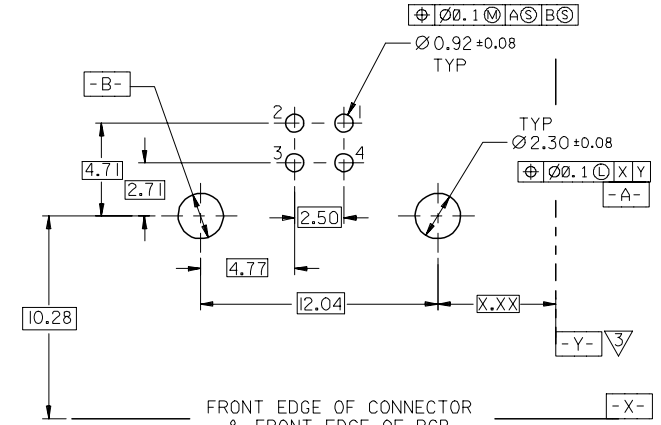
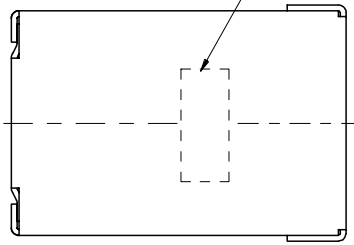
- (g)50 MICROINCH MINIMUM PURE TIN(Sn),UNDER 50 MICROINCH MINIMUM NICKEL(Ni) PLATE.
- (h)50 MICROINCH MINIMUM MATTE TIN(Sn),UNDER 50 MICROINCH MINIMUM NICKEL(Ni) PLATE.

3. DATUM AND BASIC DIMENSIONS ESTABLISHED BY CUSTOMER.

RECOMMENDED PCB THICKNESS : 1.60±0.05

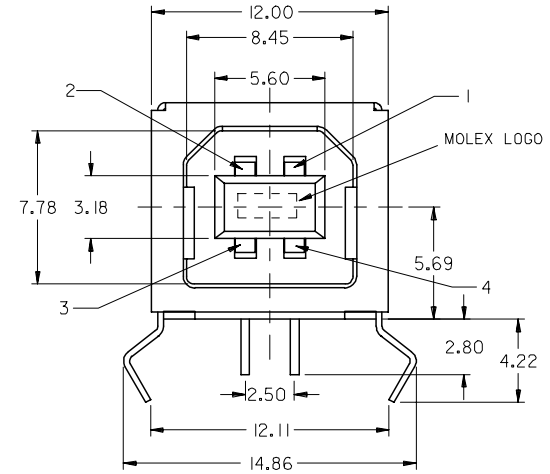
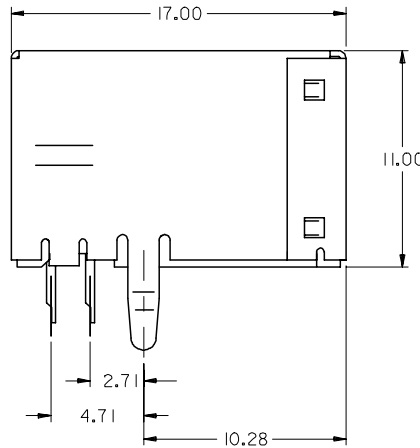
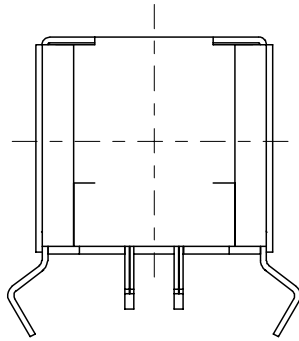
4.PRODUCT SPECIFICATION : REFER TO PS-67998-0000

MOLEX ID OF MFG PLANT CODE



FRONT EDGE OF CONNECTOR & FRONT EDGE OF PCB

RECOMMENDED PCB LAYOUT



P/N	HOUSING COLOR	PLATING
67068-8000	BLACK	GOLD FLASH SEE NOTES(2-(c),2-(g))
67068-8001	BLACK	30MICROINCH Au SEE NOTES(2-(d),2-(g))
67068-9000	WHITE	GOLD FLASH SEE NOTES(2-(c),2-(g))
67068-9001	WHITE	30MICROINCH Au SEE NOTES(2-(d),2-(g))
67068-8012	BLACK	30MICROINCH Au SEE NOTES(2-(f),2-(h))
67068-8013	BLACK	GOLD FLASH SEE NOTES(2-(e),2-(h))

REVISED	EC NO: SH2007-0468	2007/01/19
	DRWN:HYE01	2007/01/19
	CHKD:WANG	2007/01/19
	APPR: JNCHEN	2007/01/26
REV	DESCRIPTION	

QUALITY SYMBOLS
▽=0
∇=0

GENERAL TOLERANCES (UNLESS SPECIFIED)	
mm	INCH
4 PLACES ± ---	± ---
3 PLACES ± ---	± ---
2 PLACES ± 0.25	± .010
1 PLACE ± 0.25	± .010
ANGULAR ± 3 °	
DRAFT WHERE APPLICABLE MUST REMAIN WITHIN DIMENSIONS	

DIMENSION STYLE	
MM ONLY	
DRAWN BY	DATE
DAVID HU	2004/11/05
CHECKED BY	DATE
HARVEY	2004/11/05
APPROVED BY	DATE
MATERIAL NO.	
DOCUMENT NO.	
SHEET NO.	

SCALE	DESIGN UNITS	THIRD ANGLE PROJECTION
4:1	METRIC	
TITLE		
USB B TYPE CONNECTOR LEAD-FREE		
MOLEX MOLEX INCORPORATED		
SD-67068-004		1 OF 1
SEE NOTES		
THIS DRAWING CONTAINS INFORMATION THAT IS PROPRIETARY TO MOLEX INCORPORATED AND SHOULD NOT BE USED WITHOUT WRITTEN PERMISSION		

Компания «Океан Электроники» предлагает заключение долгосрочных отношений при поставках импортных электронных компонентов на взаимовыгодных условиях!

Наши преимущества:

- Поставка оригинальных импортных электронных компонентов напрямую с производств Америки, Европы и Азии, а так же с крупнейших складов мира;
- Широкая линейка поставок активных и пассивных импортных электронных компонентов (более 30 млн. наименований);
- Поставка сложных, дефицитных, либо снятых с производства позиций;
- Оперативные сроки поставки под заказ (от 5 рабочих дней);
- Экспресс доставка в любую точку России;
- Помощь Конструкторского Отдела и консультации квалифицированных инженеров;
- Техническая поддержка проекта, помощь в подборе аналогов, поставка прототипов;
- Поставка электронных компонентов под контролем ВП;
- Система менеджмента качества сертифицирована по Международному стандарту ISO 9001;
- При необходимости вся продукция военного и аэрокосмического назначения проходит испытания и сертификацию в лаборатории (по согласованию с заказчиком);
- Поставка специализированных компонентов военного и аэрокосмического уровня качества (Xilinx, Altera, Analog Devices, Intersil, Interpoint, Microsemi, Actel, Aeroflex, Peregrine, VPT, Syfer, Eurofarad, Texas Instruments, MS Kennedy, Miteq, Cobham, E2V, MA-COM, Hittite, Mini-Circuits, General Dynamics и др.);

Компания «Океан Электроники» является официальным дистрибьютором и эксклюзивным представителем в России одного из крупнейших производителей разъемов военного и аэрокосмического назначения «JONHON», а так же официальным дистрибьютором и эксклюзивным представителем в России производителя высокотехнологичных и надежных решений для передачи СВЧ сигналов «FORSTAR».



JONHON

«JONHON» (основан в 1970 г.)

Разъемы специального, военного и аэрокосмического назначения:

(Применяются в военной, авиационной, аэрокосмической, морской, железнодорожной, горно- и нефтедобывающей отраслях промышленности)

«FORSTAR» (основан в 1998 г.)

ВЧ соединители, коаксиальные кабели, кабельные сборки и микроволновые компоненты:

(Применяются в телекоммуникациях гражданского и специального назначения, в средствах связи, РЛС, а так же военной, авиационной и аэрокосмической отраслях промышленности).



Телефон: 8 (812) 309-75-97 (многоканальный)

Факс: 8 (812) 320-03-32

Электронная почта: ocean@oceanchips.ru

Web: <http://oceanchips.ru/>

Адрес: 198099, г. Санкт-Петербург, ул. Калинина, д. 2, корп. 4, лит. А