

---

# ML610Q407/ML610Q408/ML610Q409

---

8-bit Microcontroller with a Built-in LCD driver

---

## GENERAL DESCRIPTION

ML610Q407/ML610Q408/ML610Q409 is a high-performance 8-bit CMOS microcontroller into which peripheral circuits, such as synchronous serial port, UART, melody driver, RC oscillation type A/D converter, and LCD driver, are incorporated around LAPIS Semiconductor-original 8-bit CPU nX-U8/100. ML610Q407/ML610Q408/ML610Q409 operates in both high/low-speed mode and power-saving mode, it is most suitable for battery operated products.

The short TAT are entertained by offering MTP version ML610Q407(P)/ML610Q408(P)/ML610Q409(P).

ML610Q407P/ ML610Q408P/ML610Q409P support industrial temperature -40°C to +85°C, are added to the product lineup.

## FEATURES

- CPU
  - 8-bit RISC CPU (CPU name: nX-U8/100)
  - Instruction system: 16-bit instructions
  - Instruction set: Transfer, arithmetic operations, comparison, logic operations, multiplication/division, bit manipulations, bit logic operations, jump, conditional jump, call return stack manipulations, arithmetic shift, and so on
  - On-Chip debug function (MTP version only)
  - Minimum instruction execution time
    - 30.5  $\mu$ s (@32.768 kHz system clock)
    - 2 $\mu$ s (@500kHz system clock)
    - 0.5 $\mu$ s(@2MHz system clock)
- Internal memory
  - Internal 16KByte Flash ROM (8K $\times$ 16 bits) (including unusable 1K Byte TEST area)
  - Internal 1KByte Data RAM (1024 $\times$ 8 bits)
- Interrupt controller
  - 1 non-maskable interrupt sources
    - Internal source: 1 (Watch dog timer)
  - 27 maskable interrupt sources
    - Internal sources: 14 (SSIO0, SSIO1, Timer0, Timer1, Timer2, Timer3, UART0, Melody0, RC-A/D converter, PWM0, TBC128Hz, TBC32Hz, TBC16Hz, TBC2Hz)
    - External sources: 13 (P00, P01, P02, P03, P04, P50, P51, P52, P53, P54, P55, P56, P57)
    - (One interrupt request is generated from P50 to P57 interrupt sources.)
- Time base counter
  - Low-speed time base counter  $\times$ 1 channel
    - Frequency compensation (Compensation range: Approx. -488ppm to +488ppm. Compensation accuracy: Approx. 0.48ppm)
  - High-speed time base counter  $\times$ 1 channel
- Watchdog timer
  - Non-maskable interrupt and reset
  - Free running
  - Overflow period: 4 types selectable (125ms, 500ms, 2s, and 8s)
- Timers
  - 8 bits  $\times$  4 channels (Timer0-3: 16-bit  $\times$  2 configuration available by using Timer0-1 or Timer2-3)
  - Clock frequency measurement mode (in one channel of 16-bit configuration using Timer2-3)

- Capture
  - Time base capture × 2 channels (4096 Hz to 32 Hz)
- PWM
  - Resolution 16 bits × 1 channel
- Synchronous serial port
  - Master/slave selectable × 2 channel
  - LSB first/MSB first selectable
  - 8-bit length/16-bit length selectable
- UART
  - Half-Duplex Communication
  - TXD/RXD × 1 channel
  - Bit length, parity/no parity, odd parity/even parity, 1 stop bit/2 stop bits
  - Positive logic/negative logic selectable
  - Built-in baud rate generator
- Melody driver
  - Scale: 29 types (Melody sound frequency: 508 Hz to 32.768 kHz)
  - Tone length: 63 types
  - Tempo: 15 types
  - Buzzer output mode (4 output modes, 8 frequencies, 16 duty levels)
- RC oscillation type A/D converter
  - 16-bit counter
  - Time division × 2 channels
- General-purpose ports
  - Input-only port × 5 channels (including secondary functions)
  - Output-only port
    - ML610Q407: × 12 channels (including secondary functions)
    - ML610Q408: × 8 channels (including secondary functions)
    - ML610Q409: × 4 channels (including secondary functions)
  - Input/output port × 22 channels (including secondary functions)
- LCD driver
  - The number of segments
    - ML610Q407: 145 dots max. (29seg×5com, 30seg×4com, 31seg×3com, and 32seg×2com selectable)
    - ML610Q408: 165 dots max. (33seg×5com, 34seg×4com, 35seg×3com, and 36seg×2com selectable)
    - ML610Q409: 185 dots max. (37seg×5com, 38seg×4com, 39seg×3com, and 40seg×2com selectable)
  - 1/1 to 1/5 duty
  - 1/2(\*), 1/3 bias (built-in bias generation circuit)
  - Frame frequency selectable: approx. 64Hz, 73Hz, 85Hz, and 102Hz
  - Bias voltage multiplying clock selectable (8 types)
  - LCD drive stop mode, LCD display mode, all LCDs on mode, and all LCDs off mode selectable
  - Programmable display allocation function
  - (\*) 1/2 bias is supported by A version and D version
- Reset
  - Reset through the RESET\_N pin
  - Power-on reset generation when powered on
  - Reset when oscillation stop of the low-speed clock is detected (Not supported in A version)
  - Reset by the watchdog timer (WDT) overflow

- Clock
  - Low-speed clock: Crystal oscillation (32.768 kHz)  
(This LSI can not guarantee the operation without low-speed crystal oscillation clock)
  - High-speed clock: Built-in RC oscillation (500 kHz, 2MHz)
  
- Power management
  - HALT mode: Instruction execution by CPU is suspended (peripheral circuits are in operating states).
  - STOP mode: Stop of low-speed oscillation and high-speed oscillation (Operations of CPU and peripheral circuits are stopped.)
  - High-speed Clock gear: The frequency of high-speed system clock can be changed by software (1/1, 1/2, 1/4, 1/8 of the oscillation clock)
  - Block Control Function: Resets and completely turns circuits of unused peripherals off.
  
- Guaranteed operating range
  - Operating temperature:  $-20^{\circ}\text{C}$  to  $+70^{\circ}\text{C}$  (P version:  $-40^{\circ}\text{C}$  to  $+85^{\circ}\text{C}$ )
  - Operating voltage:  $V_{\text{DD}} = 1.25\text{V}$  to  $3.6\text{V}$

• Product name – Supported Function

- Chip (Die) -	LCD bias		Low-speed oscillation stop detect reset	Operating temperature	Product availability
	1/2	1/3			
ML610Q407-xxxWA	-	Yes	Yes	-20°C to +70°C	Yes
ML610Q408-xxxWA	-	Yes	Yes	-20°C to +70°C	Yes
ML610Q409-xxxWA	-	Yes	Yes	-20°C to +70°C	Yes
ML610Q407P-xxxWA	-	Yes	Yes	-40°C to +85°C	Yes
ML610Q408P-xxxWA	-	Yes	Yes	-40°C to +85°C	Yes
ML610Q409P-xxxWA	-	Yes	Yes	-40°C to +85°C	Yes
ML610Q407A- x x x WA	Yes	Yes	-	-20°C to +70°C	Yes
ML610Q408A-xxxWA	Yes	Yes	-	-20°C to +70°C	-
ML610Q409A-xxxWA	Yes	Yes	-	-20°C to +70°C	Yes
ML610Q407D-xxxWA	Yes	Yes	Yes	-20°C to +70°C	Yes
ML610Q408D-xxxWA	Yes	Yes	Yes	-20°C to +70°C	-
ML610Q409D-xxxWA	Yes	Yes	Yes	-20°C to +70°C	-
ML610Q407PA-xxxWA	Yes	Yes	-	-40°C to +85°C	Yes
ML610Q408PA-xxxWA	Yes	Yes	-	-40°C to +85°C	-
ML610Q409PA-xxxWA	Yes	Yes	-	-40°C to +85°C	-
ML610Q407PD-xxxWA	Yes	Yes	Yes	-40°C to +85°C	-
ML610Q408PD-xxxWA	Yes	Yes	Yes	-40°C to +85°C	-
ML610Q409PD-xxxWA	Yes	Yes	Yes	-40°C to +85°C	-

-100-pin plastic TQFP -	LCD bias		Low-speed oscillation stop detect reset	Operating temperature	Product availability
	1/2	1/3			
ML610Q407-xxxTB	-	Yes	Yes	-20°C to +70°C	Yes
ML610Q408-xxxTB	-	Yes	Yes	-20°C to +70°C	Yes
ML610Q409-xxxTB	-	Yes	Yes	-20°C to +70°C	Yes
ML610Q407P-xxxTB	-	Yes	Yes	-40°C to +85°C	Yes
ML610Q408P-xxxTB	-	Yes	Yes	-40°C to +85°C	Yes
ML610Q409P-xxxTB	-	Yes	Yes	-40°C to +85°C	Yes
ML610Q407A-xxxTB	Yes	Yes	-	-20°C to +70°C	-
ML610Q408A-xxxTB	Yes	Yes	-	-20°C to +70°C	-
ML610Q409A-xxxTB	Yes	Yes	-	-20°C to +70°C	-
ML610Q407D-xxxTB	Yes	Yes	Yes	-20°C to +70°C	-
ML610Q408D-xxxTB	Yes	Yes	Yes	-20°C to +70°C	-
ML610Q409D-xxxTB	Yes	Yes	Yes	-20°C to +70°C	-
ML610Q407PAxxxTB	Yes	Yes	-	-40°C to +85°C	-
ML610Q408PAxxxTB	Yes	Yes	-	-40°C to +85°C	-
ML610Q409PAxxxTB	Yes	Yes	-	-40°C to +85°C	-
ML610Q407PDxxxTB	Yes	Yes	Yes	-40°C to +85°C	-
ML610Q408PDxxxTB	Yes	Yes	Yes	-40°C to +85°C	-
ML610Q409PDxxxTB	Yes	Yes	Yes	-40°C to +85°C	-

xxx: ROM code number (xxx of the blank product is NNN)

Q: MTP version

P: Wide range temperature version (P version)

A: Low-speed clock oscillation stop detection reset is disabled always and LCD 1/2 bias supported version.(A version)

D: LCD 1/2 bias supported version (D version)

WA: Chip (Die), TB: TQFP

**BLOCK DIAGRAM**

**ML610Q407/ML610Q408/ML610Q409 Block Diagram**

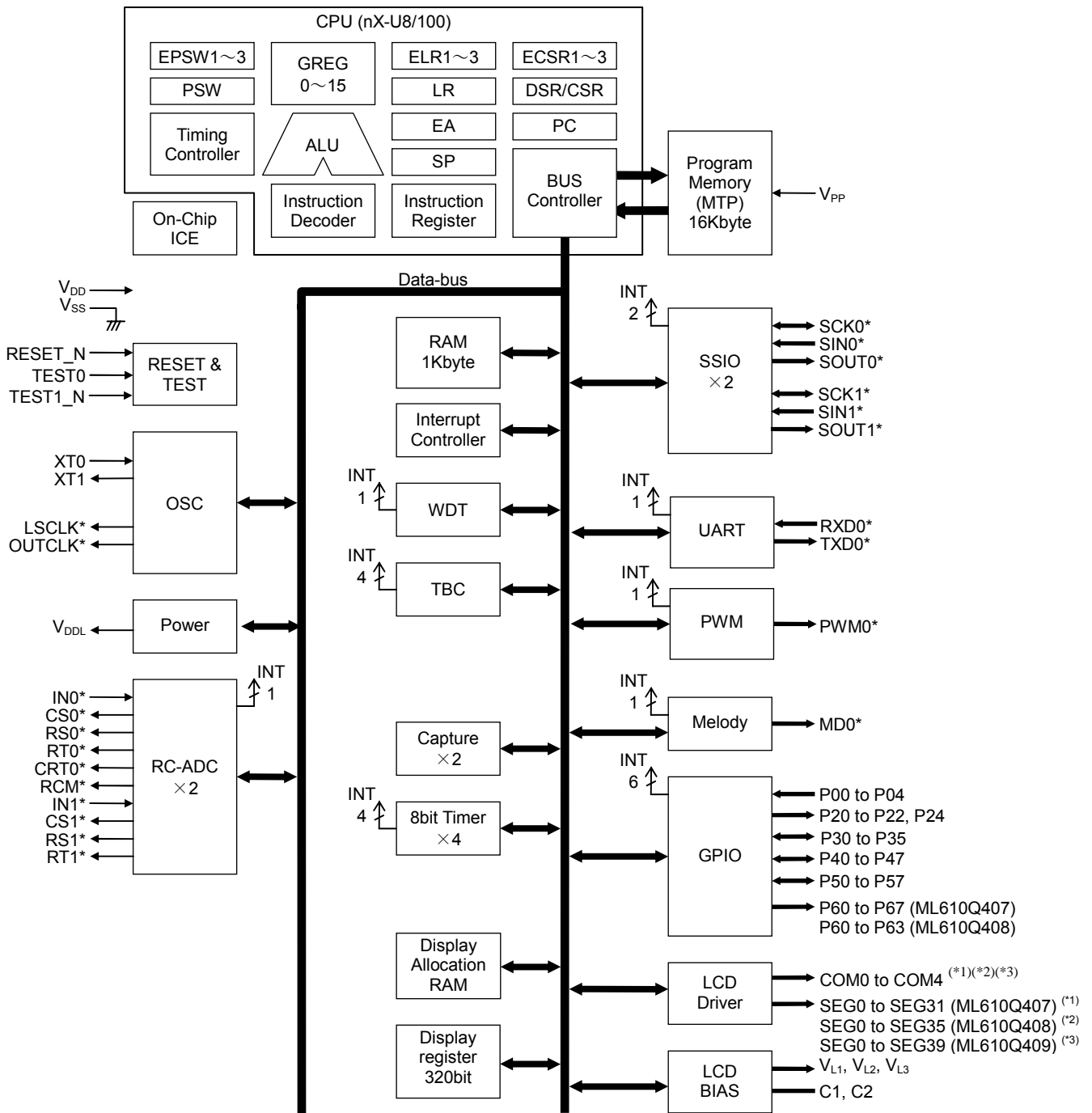
Figure 1 show the block diagram of the ML610Q407/ML610Q408/ML610Q409.

“\*” indicates the secondary function of each port.

“(1)”: 29seg×5com, 30seg×4com, 31seg×3com, and 32seg×2com selectable

“(2)”: 33seg×5com, 34seg×4com, 35seg×3com, and 36seg×2com selectable

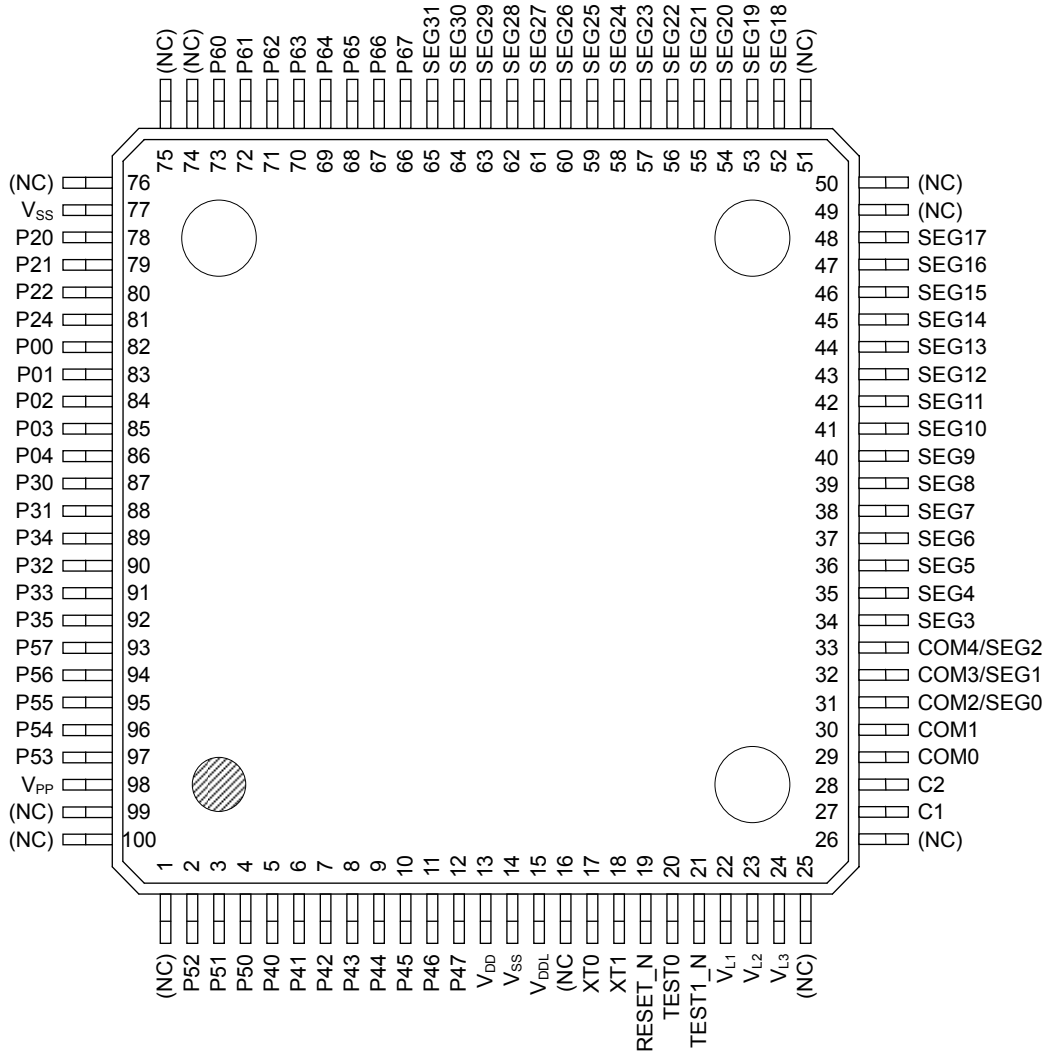
“(3)”: 37seg×5com, 38seg×4com, 39seg×3com, and 40seg×2com selectable



**Figure 1 ML610Q407/ML610Q408/ML610Q409 Block Diagram**

**PIN CONFIGURATION**

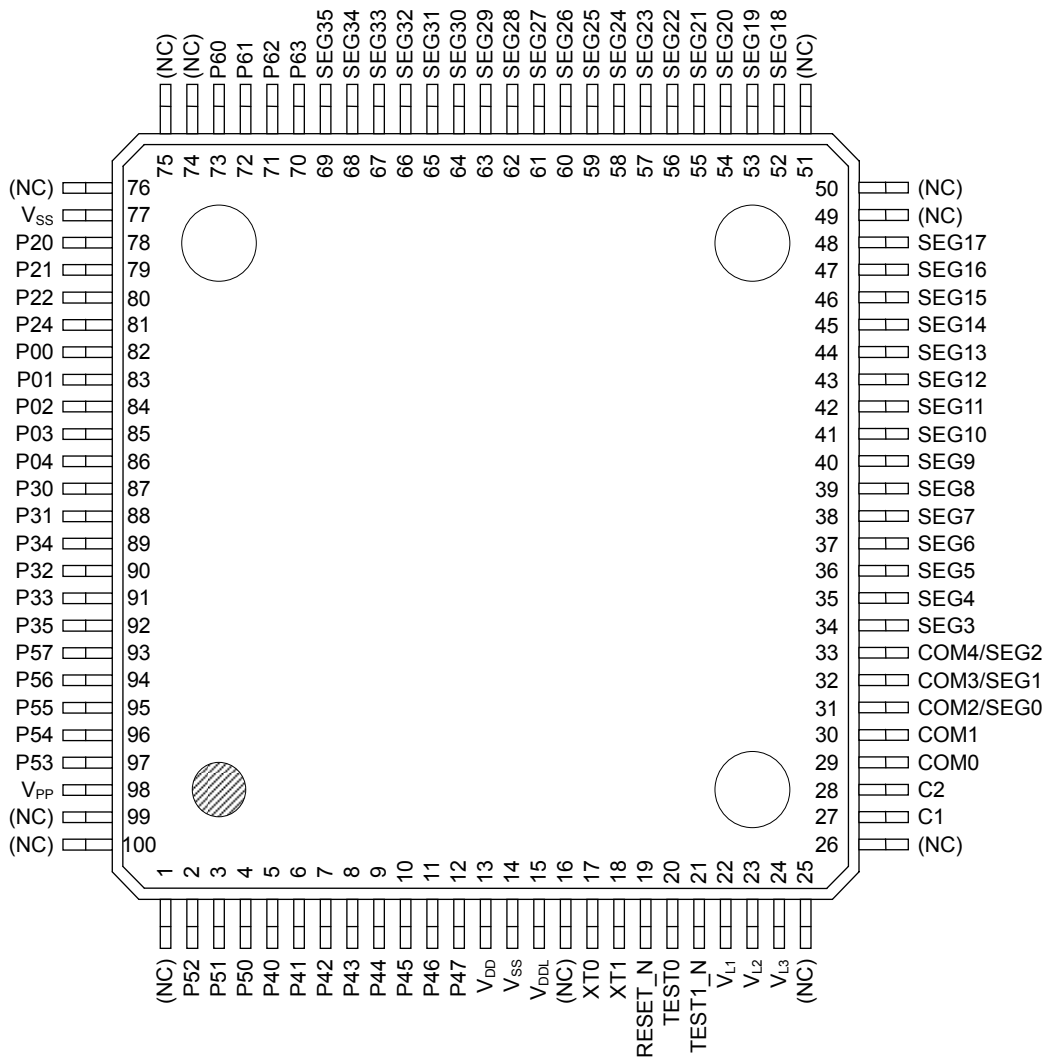
**ML610Q407 TQFP100 Pin Layout**



Note:  
The assignment of the P30 to P35 are not in order.

**Figure 2 ML610Q407 TQFP100 Pin Configuration**

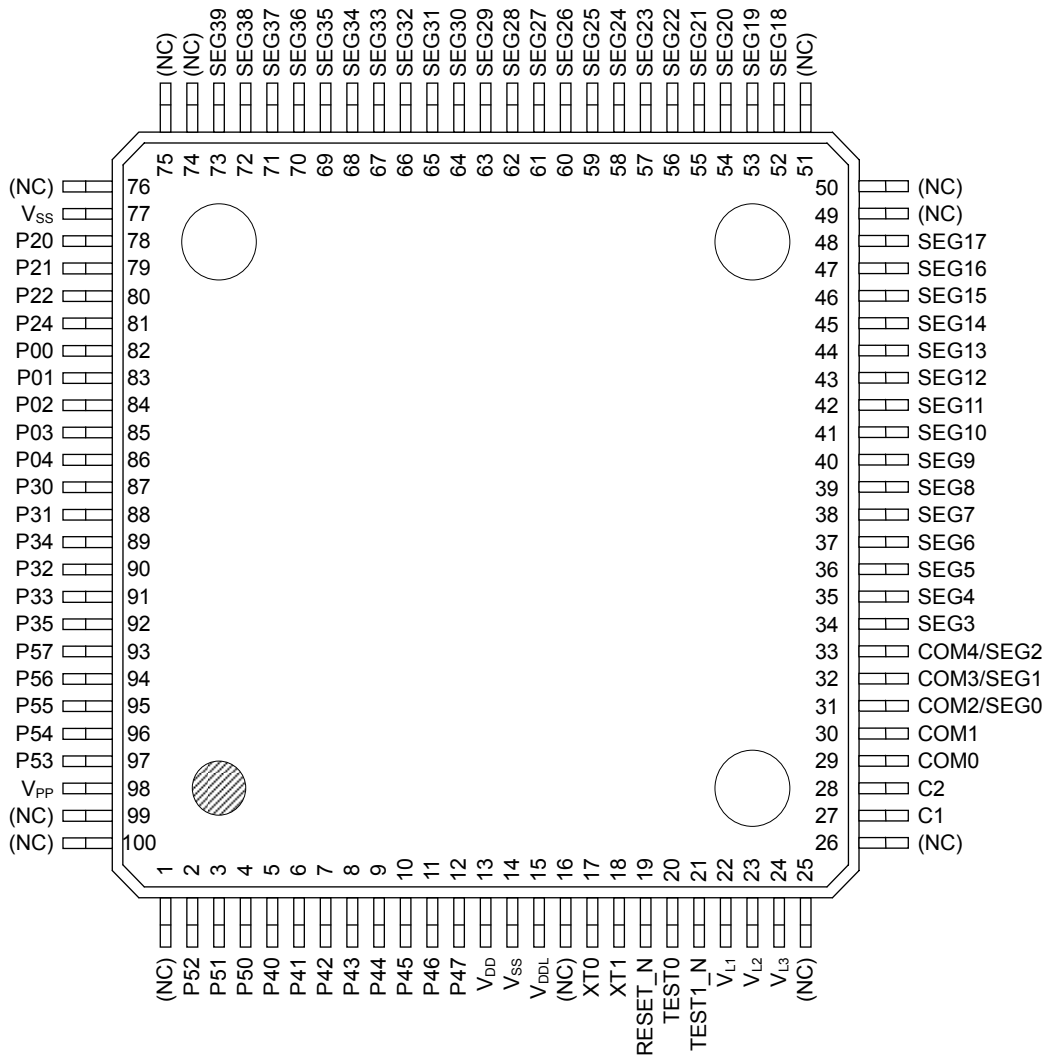
**ML610Q408 TQFP100 Pin Layout**



Note:  
The assignment of the P30 to P35 are not in order.

**Figure 3 ML610Q408 TQFP100 Pin Configuration**

**ML610Q409 TQFP100 Pin Layout**

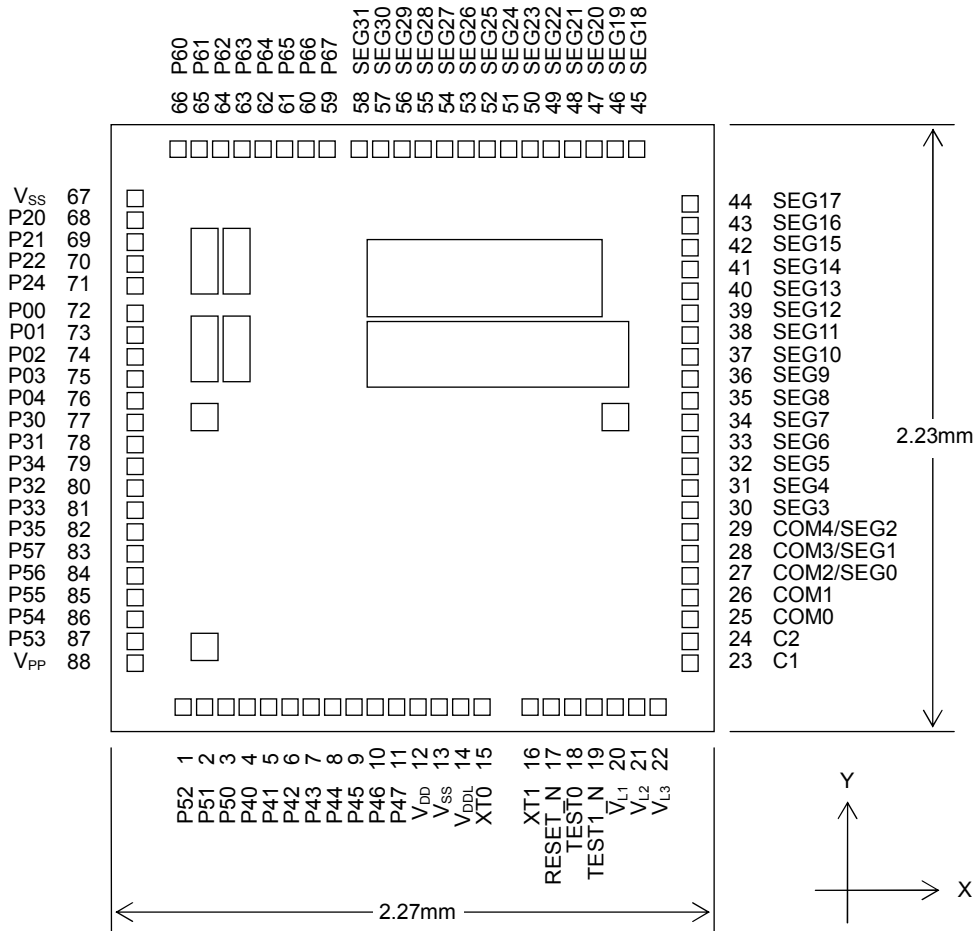


Note:  
The assignment of the P30 to P35 are not in order.

**Figure 4 ML610Q409 TQFP100 Pin Configuration**



**ML610Q407 Chip Pin Layout & Dimension**

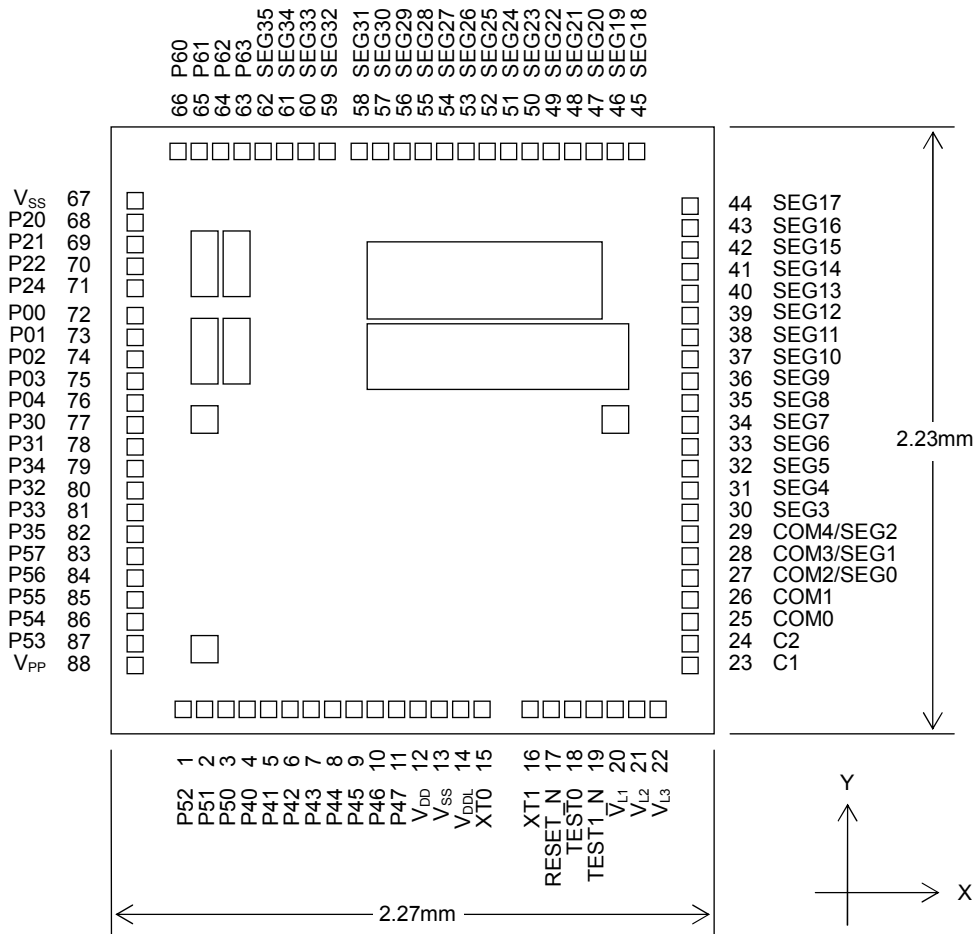


**Note:**  
The assignment of the pads P30 to P35 are not in order.

- Chip size: 2.27 mm × 2.23 mm
- PAD count: 88 pins
- Minimum PAD pitch: 80µm
- PAD aperture: 70µm×70µm
- Chip thickness: 350µm
- Voltage of the rear side of chip: V<sub>SS</sub> level.

**Figure 5 ML610Q407 Chip Layout & Dimension**

**ML610Q408 Chip Pin Layout & Dimension**

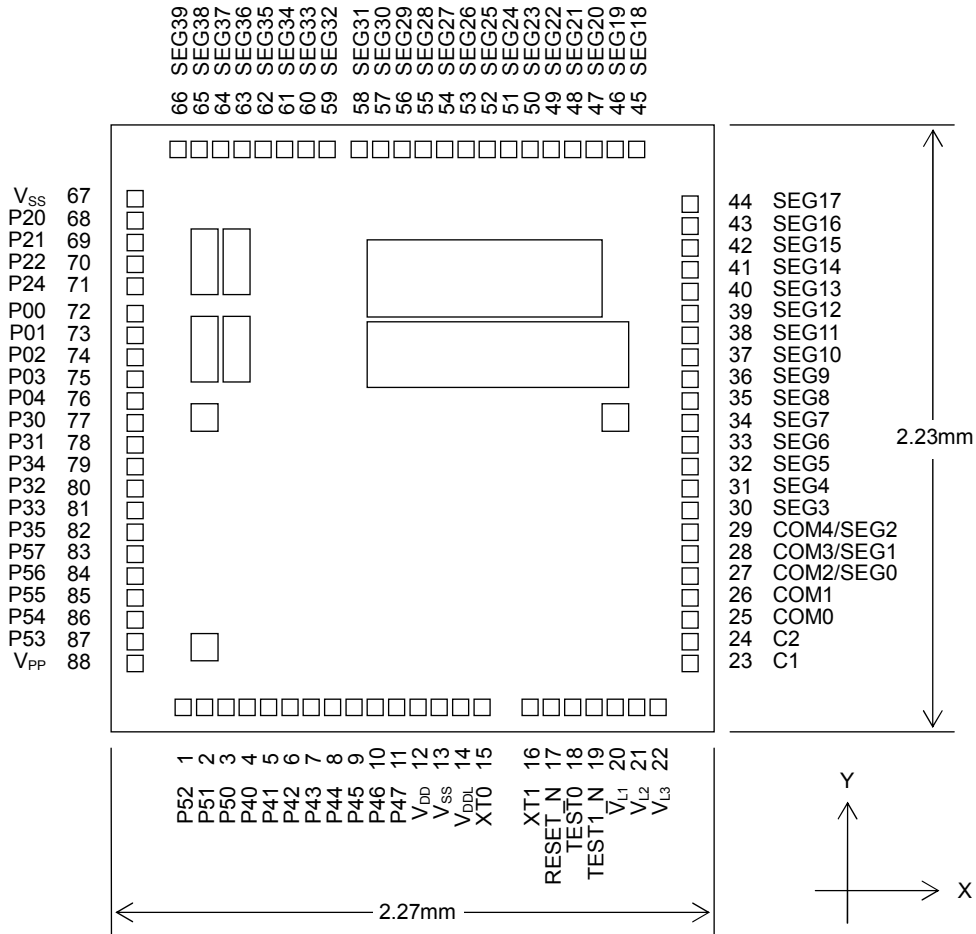


**Note:**  
The assignment of the pads P30 to P35 are not in order.

Chip size: 2.27 mm × 2.23 mm  
 PAD count: 88 pins  
 Minimum PAD pitch: 80µm  
 PAD aperture: 70µm×70µm  
 Chip thickness: 350µm  
 Voltage of the rear side of chip: V<sub>SS</sub> level.

**Figure 6 ML610Q408 Chip Layout & Dimension**

**ML610Q409 Chip Pin Layout & Dimension**



**Note:**  
The assignment of the pads P30 to P35 are not in order.

Chip size: 2.27 mm × 2.23 mm  
 PAD count: 88 pins  
 Minimum PAD pitch: 80 μm  
 PAD aperture: 70 μm×70 μm  
 Chip thickness: 350 μm  
 Voltage of the rear side of chip: V<sub>SS</sub> level.

**Figure 7 ML610Q409 Chip Layout & Dimension**

**ML610Q407/ML610Q408/ML610Q409 Pad Coordinates**

**Table 1 ML610Q407/ML610Q408/ML610Q409 Pad Coordinates**

Chip Center: X=0,Y=0

PAD No.	Pad Name	ML610Q407/8/9		PAD No.	Pad Name	ML610Q407/8/9	
		X (μm)	Y (μm)			X (μm)	Y (μm)
1	P52	-853	-1009	49	SEG22	535	1009
2	P51	-773	-1009	50	SEG23	455	1009
3	P50	-693	-1009	51	SEG24	375	1009
4	P40	-613	-1009	52	SEG25	295	1009
5	P41	-533	-1009	53	SEG26	215	1009
6	P42	-453	-1009	54	SEG27	135	1009
7	P43	-373	-1009	55	SEG28	55	1009
8	P44	-293	-1009	56	SEG29	-25	1009
9	P45	-213	-1009	57	SEG30	-105	1009
10	P46	-133	-1009	58	SEG31	-185	1009
11	P47	-53	-1009	59	P67 <sup>(*1)</sup>	-295	1009
12	VDD	27	-1009		SEG32 <sup>(*2)(*3)</sup>		
13	VSS	107	-1009	60	P66 <sup>(*1)</sup>	-375	1009
14	VDDL	187	-1009		SEG33 <sup>(*2)(*3)</sup>		
15	XT0	267	-1009	61	P65 <sup>(*1)</sup>	-455	1009
16	XT1	427	-1009		SEG34 <sup>(*2)(*3)</sup>		
17	RESET_N	507	-1009	62	P64 <sup>(*1)</sup>	-535	1009
18	TEST0	587	-1009		SEG35 <sup>(*2)(*3)</sup>		
19	TEST1_N	667	-1009	63	P63 <sup>(*1)(*2)</sup>	-615	1009
20	VL1	747	-1009		SEG36 <sup>(*3)</sup>		
21	VL2	827	-1009	64	P62 <sup>(*1)(*2)</sup>	-695	1009
22	VL3	907	-1009		SEG37 <sup>(*3)</sup>		
23	C0	1029	-840	65	P61 <sup>(*1)(*2)</sup>	-775	1009
24	C1	1029	-760		SEG38 <sup>(*3)</sup>		
25	COM0	1029	-680	66	P60 <sup>(*1)(*2)</sup>	-885	1009
26	COM1	1029	-600		SEG39 <sup>(*3)</sup>		
27	COM2/SEG0	1029	-520	67	VSS	-1029	850
28	COM3/SEG1	1029	-440	68	P20	-1029	770
29	COM4/SEG2	1029	-360	69	P21	--1029	690
30	SEG3	1029	-280	70	P22	-1029	610
31	SEG4	1029	-200	71	P24	-1029	530
32	SEG5	1029	-120	72	P00	-1029	430
33	SEG6	1029	-40	73	P01	-1029	350
34	SEG7	1029	40	74	P02	-1029	270
35	SEG8	1029	120	75	P03	-1029	190
36	SEG9	1029	200	76	P04	-1029	110
37	SEG10	1029	280	77	P30	-1029	30
38	SEG11	1029	360	78	P31	-1029	-50
39	SEG12	1029	440	79	P34	-1029	-130
40	SEG13	1029	520	80	P32	-1029	-210
41	SEG14	1029	600	81	P33	-1029	-290
42	SEG15	1029	680	82	P35	-1029	-370
43	SEG16	1029	760	83	P57	-1029	-450
44	SEG17	1029	840	84	P56	-1029	-530
45	SEG18	855	1009	85	P55	-1029	-610
46	SEG19	775	1009	86	P54	-1029	-690
47	SEG20	695	1009	87	P53	-1029	-770
48	SEG21	615	1009	88	VPP	-1029	-850

(\*1) ML610Q407 pad name, (\*2) ML610Q408 pad name, (\*3) ML610Q409 pad name

**PIN LIST**

PIN No.	PAD No.	Primary function			Secondary function or Tertiary function			
		Pin name	I/O	Function	Secondary /Tertiary	Pin name	I/O	Function
14,77	13,67	V <sub>SS</sub>	—	Negative power supply pin	—	—	—	—
13	12	V <sub>DD</sub>	—	Positive power supply pin	—	—	—	—
15	14	V <sub>BDD</sub>	—	Power supply pin for internal logic (internally generated)	—	—	—	—
98	88	V <sub>PP</sub>	—	Power supply pin for Flash ROM	—	—	—	—
22	20	V <sub>L1</sub>	—	Power supply pin for LCD bias (internally generated or connected to positive power supply pin) <sup>(2)</sup>	—	—	—	—
23	21	V <sub>L2</sub>	—	Power supply pin for LCD bias (internally generated or connected to positive power supply pin) <sup>(2)</sup>	—	—	—	—
24	22	V <sub>L3</sub>	—	Power supply pin for LCD bias (internally generated)	—	—	—	—
27	23	C1	—	Capacitor connection pin for LCD bias generation	—	—	—	—
28	24	C2	—	Capacitor connection pin for LCD bias generation	—	—	—	—
20	18	TEST0	I/O	Test pin	—	—	—	—
21	19	TEST1_N	I	Test pin	—	—	—	—
19	17	RESET_N	I	Reset input pin	—	—	—	—
17	15	XT0	I	Low-speed clock oscillation pin	—	—	—	—
18	16	XT1	O	Low-speed clock oscillation pin	—	—	—	—
82	72	P00/EXI0/ CAP0	I	Input port, External interrupt, Capture 0 input	—	—	—	—
83	73	P01/EXI1/ CAP1	I	Input port, External interrupt, Capture 1 input	—	—	—	—
84	74	P02/EXI2/ RXD0	I	Input port, External interrupt, UART0 received data	—	—	—	—
85	75	P03/EXI3	I	Input port, External interrupt	—	—	—	—
86	76	P04/EXI4/ T02P0CK	I	Input port, Timer 0/Timer 2/PWM0 external clock input External interrupt	—	—	—	—
78	68	P20/LED0	O	Output port	Secondary	LSCLK	O	Low-speed clock output
79	69	P21/LED1	O	Output port	Secondary	OUTCLK	O	High-speed clock output
80	70	P22/LED2	O	Output port	Secondary	MD0	O	Melody 0 output
81	71	P24/LED4	O	Output port	Secondary	PWM0	O	PWM0 output
87	77	P30	I/O	Input/output port	Secondary	IN0	I	RC type ADC0 oscillation input pin
88	78	P31	I/O	Input/output port	Secondary	CS0	O	RC type ADC0 reference capacitor connection pin
89	79	P34	I/O	Input/output port	Secondary	RCT0	O	RC type ADC0 resistor/capacitor sensor connection pin
90	80	P32	I/O	Input/output port	Secondary	RS0	O	RC type ADC0 reference resistor connection pin
91	81	P33	I/O	Input/output port	Secondary	RT0	O	RC type ADC0 measurement resistor sensor connection pin
92	82	P35	I/O	Input/output port	Secondary	RCM	O	RC type ADC oscillation monitor

PIN No.	PAD No.	Primary function			Secondary function or Tertiary function			
		Pin name	I/O	Function	Secondary /Tertiary	Pin name	I/O	Function
5	4	P40	I/O	Input/output port	Secondary	—	—	—
					Tertiary	SIN0	I	SSIO0 data input
6	5	P41	I/O	Input/output port	Secondary	—	—	—
					Tertiary	SCK0	I/O	SSIO0 synchronous clock input/output
7	6	P42	I/O	Input/output port	Secondary	RXD0	I	UART data input
					Tertiary	SOUT0	O	SSIO0 data output
8	7	P43	I/O	Input/output port	Secondary	TXD0	O	UART data output
					Tertiary	PWM0	O	PWM0 output
9	8	P44/ T02P0CK	I/O	Input/output port, Timer 0/Timer 2/PWM0 external clock input	Secondary	IN1	I	RC type ADC1 oscillation input pin
					Tertiary	SIN0	I	SSIO0 data input
10	9	P45/T13CK	I/O	Input/output port, Timer 1/Timer 3 external clock input	Secondary	CS1	O	RC type ADC1 reference capacitor connection pin
					Tertiary	SCK0	I/O	SSIO0 synchronous clock input/output
11	10	P46	I/O	Input/output port	Secondary	RS1	O	RC type ADC1 reference resistor connection pin
					Tertiary	SOUT0	O	SSIO0 data output
12	11	P47	I/O	Input/output port	Secondary	RT1	O	RC type ADC1 measurement resistor sensor connection pin
4	3	P50/EX18	I/O	Input/output port, External interrupt	Secondary	MD0	O	Melody 0 output
					Tertiary	SIN1	I	SSIO1 data input
3	2	P51/EX18	I/O	Input/output port, External interrupt	Secondary	—	—	—
					Tertiary	SCK1	I/O	SSIO1 synchronous clock input/output
2	1	P52/EX18	I/O	Input/output port, External interrupt	Secondary	—	—	—
					Tertiary	SOUT1	O	SSIO1 data output
97	87	P53/EX18	I/O	Input/output port, External interrupt	—	—	—	—
96	86	P54/EX18	I/O	Input/output port, External interrupt	Secondary	—	—	—
					Tertiary	SIN1	I	SSIO1 data input
95	85	P55/EX18	I/O	Input/output port, External interrupt	Secondary	—	—	—
					Tertiary	SCK1	I/O	SSIO1 synchronous clock input/output
94	84	P56/EX18	I/O	Input/output port, External interrupt	Secondary	—	—	—
					Tertiary	SOUT1	O	SSIO1 data output
93	83	P57/EX18	I/O	Input/output port, External interrupt	—	—	—	—

PIN No.	PAD No.	Primary function			Secondary function or Tertiary function			
		Pin name	I/O	Function	Secondary/Tertiary	Pin name	I/O	Function
29	25	COM0	O	LCD common pin	—	—	—	—
30	26	COM1	O	LCD common pin	—	—	—	—
31	27	COM2/ SEG0	O	LCD common/segment pin	—	—	—	—
32	28	COM3/ SEG1	O	LCD common/segment pin	—	—	—	—
33	29	COM4/ SEG2	O	LCD common/segment pin	—	—	—	—
34	30	SEG3	O	LCD segment pin	—	—	—	—
35	31	SEG4	O	LCD segment pin	—	—	—	—
36	32	SEG5	O	LCD segment pin	—	—	—	—
37	33	SEG6	O	LCD segment pin	—	—	—	—
38	34	SEG7	O	LCD segment pin	—	—	—	—
39	35	SEG8	O	LCD segment pin	—	—	—	—
40	36	SEG9	O	LCD segment pin	—	—	—	—
41	37	SEG10	O	LCD segment pin	—	—	—	—
42	38	SEG11	O	LCD segment pin	—	—	—	—
43	39	SEG12	O	LCD segment pin	—	—	—	—
44	40	SEG13	O	LCD segment pin	—	—	—	—
45	41	SEG14	O	LCD segment pin	—	—	—	—
46	42	SEG15	O	LCD segment pin	—	—	—	—
47	43	SEG16	O	LCD segment pin	—	—	—	—
48	44	SEG17	O	LCD segment pin	—	—	—	—
52	45	SEG18	O	LCD segment pin	—	—	—	—
53	46	SEG19	O	LCD segment pin	—	—	—	—
54	47	SEG20	O	LCD segment pin	—	—	—	—
55	48	SEG21	O	LCD segment pin	—	—	—	—
56	49	SEG22	O	LCD segment pin	—	—	—	—
57	50	SEG23	O	LCD segment pin	—	—	—	—
58	51	SEG24	O	LCD segment pin	—	—	—	—
59	52	SEG25	O	LCD segment pin	—	—	—	—
60	53	SEG26	O	LCD segment pin	—	—	—	—
61	54	SEG27	O	LCD segment pin	—	—	—	—
62	55	SEG28	O	LCD segment pin	—	—	—	—
63	56	SEG29	O	LCD segment pin	—	—	—	—
64	57	SEG30	O	LCD segment pin	—	—	—	—
65	58	SEG31	O	LCD segment pin	—	—	—	—
66	59	P67 <sup>(2)</sup>	O	Output port	—	—	—	—
		SEG32 <sup>(3)</sup>	O	LCD segment pin	—	—	—	—
67	60	P66 <sup>(2)</sup>	O	Output port	—	—	—	—
		SEG33 <sup>(3)</sup>	O	LCD segment pin	—	—	—	—
68	61	P65 <sup>(2)</sup>	O	Output port	—	—	—	—
		SEG34 <sup>(3)</sup>	O	LCD segment pin	—	—	—	—
69	62	P64 <sup>(2)</sup>	O	Output port	—	—	—	—
		SEG35 <sup>(3)</sup>	O	LCD segment pin	—	—	—	—
70	63	P63 <sup>(4)</sup>	O	Output port	—	—	—	—
		SEG36 <sup>(5)</sup>	O	LCD segment pin	—	—	—	—
71	64	P62 <sup>(4)</sup>	O	Output port	—	—	—	—
		SEG37 <sup>(5)</sup>	O	LCD segment pin	—	—	—	—
72	65	P61 <sup>(4)</sup>	O	Output port	—	—	—	—
		SEG38 <sup>(5)</sup>	O	LCD segment pin	—	—	—	—
73	66	P60 <sup>(4)</sup>	O	Output port	—	—	—	—
		SEG39 <sup>(5)</sup>	O	LCD segment pin	—	—	—	—

(\*1) Internally generated, or connect to either positive power supply pin ( $V_{DD}$ ) or power supply pin for internal logic ( $V_{DDL}$ ). For details, see “Chapter 22 LCD Drivers. In the user’s manual”

(\*2) Pin for ML610Q407/ML610Q408.

(\*3) Pin for ML610Q409.

(\*4) Pin for ML610Q407.

(\*5) Pin for ML610Q408/ML610Q409.

**PIN DESCRIPTION**

Pin name	I/O	Description	Primary/ Secondary/ Tertiary	Logic
<b>System</b>				
RESET_N	I	Reset input pin. When this pin is set to a "L" level, system reset mode is set and the internal section is initialized. When this pin is set to a "H" level subsequently, program execution starts. A pull-up resistor is internally connected.	—	Negative
XT0	I	Crystal connection pin for low-speed clock.	—	—
XT1	O	A 32.768 kHz crystal oscillator (see measuring circuit 1) is connected to this pin. Capacitors CDL and CGL are connected across this pin and V <sub>SS</sub> .	—	—
LSCLK	O	Low-speed clock output pin. This pin is used as the secondary function of the P20 pin.	Secondary	—
OUTCLK	O	High-speed clock output pin. This pin is used as the secondary function of the P21 pin.	Secondary	—
<b>General-purpose input port</b>				
P00-P04	I	General-purpose input port. Since these pins have secondary functions, the pins cannot be used as a port when the secondary functions are used.	Primary	Positive
<b>General-purpose output port</b>				
P20-P22,P24	O	General-purpose output port. Since these pins have secondary functions, the pins cannot be used as a port when the secondary functions are used.	Primary	Positive
<b>General-purpose input/output port</b>				
P30-P35	I/O	General-purpose input/output port. Since these pins have secondary functions, the pins cannot be used as a port when the secondary functions are used.	Primary	Positive
P40-P47	I/O	General-purpose input/output port. Since these pins have secondary functions, the pins cannot be used as a port when the secondary functions are used.	Primary	Positive
P50-P57	I/O	General-purpose input/output port. Since these pins have secondary functions, the pins cannot be used as a port when the secondary functions are used.	Primary	Positive
P60-P63	O	General-purpose input/output port. These pins are for the ML610Q407/ ML610Q408, but are not provided in the ML610Q409.	Primary	Positive
P64-P67	O	General-purpose input/output port. These pins are for the ML610Q407, but are not provided in the ML610Q409.	Primary	Positive



Pin name	I/O	Description	Primary/ Secondary/ Tertiary	Logic
<b>UART</b>				
TXD0	O	UART data output pin. This pin is used as the secondary function of the P43 pin.	Secondary	Positive
RXD0	I	UART data input pin. This pin is used as the secondary function of the P42 or the primary function of the P02 pin.	Primary/ Secondary	Positive
<b>Synchronous serial (SSIO)</b>				
SCK0	I/O	Synchronous serial clock input/output pin. This pin is used as the tertiary function of the P41 or P45 pin.	Tertiary	—
SIN0	I	Synchronous serial data input pin. This pin is used as the tertiary function of the P40 or P44 pin.	Tertiary	Positive
SOUT0	O	Synchronous serial data output pin. This pin is used as the tertiary function of the P42 or P46 pin.	Tertiary	Positive
SCK1	I/O	Synchronous serial clock input/output pin. This pin is used as the secondary function of the P51 or P55 pin.	Secondary	—
SIN1	I	Synchronous serial data input pin. This pin is used as the secondary function of the P50 or P54.	Secondary	Positive
SOUT1	O	Synchronous serial data output pin. This pin is used as the secondary function of the P52 or P56pin.	Secondary	Positive
<b>PWM</b>				
PWM0	O	PWM0 output pin. This pin is used as the tertiary function of the P43 or P34 pin.	Tertiary	Positive
T02P0CK	I	PWM0 external clock input pin. This pin is used as the primary function of the P44 pin.	Primary	—
<b>External interrupt</b>				
EXI0-4	I	External maskable interrupt input pins. Interrupt enable and edge selection can be performed for each bit by software. These pins are used as the primary functions of the P00-P04 pins.	Primary	Positive/ negative
EXI8	I	External maskable interrupt input pins. Interrupt enable and edge selection can be performed for each bit by software. These pins are used as the primary functions of the P50-P57 pins.	Primary	Positive/ negative
<b>Capture</b>				
CAP0	I	Capture trigger input pins. The value of the time base counter is captured in the register synchronously with the interrupt edge selected by software.	Primary	Positive/ negative
CAP1	I	These pins are used as the primary functions of the P00 pin(CAP0) and P01 pin(CAP1).	Primary	Positive/ negative
<b>Timer</b>				
T02P0CK	I	External clock input pin used for Timer 0 and Timer 2. The clock for this timer is selected by software. This pin is used as the primary function of the P44 pin.	Primary	—
T13CK	I	External clock input pin used both Timer 1 and Timer 3. The clock for this timer is selected by software. This pin is used as the primary function of the P45 pin.	Primary	—
<b>Melody</b>				
MD0	O	Melody/Buzzer signal output pin. This pin is used as the secondary function of the P22 pin and P50 pin.	Secondary	Positive/ negative
<b>LED drive</b>				
LED0-2,4	O	Nch open drain output pins to drive LED.	Primary	Positive/ negative

Pin name	I/O	Description	Primary/ Secondary/ Tertiary	Logic
<b>RC oscillation type A/D converter</b>				
IN0	I	Channel 0 oscillation input pin. This pin is used as the secondary function of the P30 pin.	Secondary	—
CS0	O	Channel 0 reference capacitor connection pin. This pin is used as the secondary function of the P31 pin.	Secondary	—
RCT0	O	Resistor/capacitor sensor connection pin of Channel 0 for measurement. This pin is used as the secondary function of the P33 pin.	Secondary	—
RS0	O	This pin is used as the secondary function of the P32 pin which is the reference resistor connection pin of Channel 0.	Secondary	—
RT0	O	Resistor sensor connection pin of Channel 0 for measurement. This pin is used as the secondary function of the P34 pin.	Secondary	—
RCM	O	RC oscillation monitor pin. This pin is used as the secondary function of the P35 pin.	Secondary	—
IN1	I	Oscillation input pin of Channel 1. This pin is used as the secondary function of the P44 pin.	Secondary	—
CS1	O	Reference capacitor connection pin of Channel 1. This pin is used as the secondary function of the P45 pin.	Secondary	—
RS1	O	Reference resistor connection pin of Channel 1. This pin is used as the secondary function of the P46 pin.	Secondary	—
RT1	O	Resistor sensor connection pin for measurement of Channel 1. This pin is used as the secondary function of the P47 pin.	Secondary	—
<b>LCD drive signal</b>				
COM0-4	O	Common output pins.	—	—
SEG0-31	O	Segment output pins.	—	—
SEG32-35	O	Segment output pin. These pins are for the ML610Q408/ML610Q409, but are not provided in the ML610Q407.	—	—
SEG36-39	O	Segment output pin. These pins are for the ML610Q409, but are not provided in the ML610Q407/ML610Q408.	—	—
<b>LCD driver power supply</b>				
V <sub>L1</sub>	—	Power supply pins for LCD bias (internally generated or positive power supply pin connected). Depending on LCD Bias setting and V <sub>DD</sub> voltage level, V <sub>DD</sub> or V <sub>DDL</sub> or capacitor is connected. For details of the connection method, see user's manual.	—	—
V <sub>L2</sub>	—		—	—
V <sub>L3</sub>	—		—	—
C1	—	Power supply pins for LCD bias (internally generated). Capacitors C12 is connected between C1 and C2.	—	—
C2	—		—	—
<b>For testing</b>				
TEST	I/O	Input/output pin for testing. A pull-down resistor is internally connected.	—	—
<b>Power supply</b>				
V <sub>SS</sub>	—	Negative power supply pin.	—	—
V <sub>DD</sub>	—	Positive power supply pin for I/O, internal regulator, battery low detector, and power-on reset.	—	—
V <sub>DDL</sub>	—	Positive power supply pin (internally generated) for internal logic. Capacitor CL (see Appendix C measuring circuit 1) is connected between this pin and V <sub>SS</sub> .	—	—
V <sub>PP</sub>	—	Power supply pin for programming Flash ROM. A pull-down resistor is internally connected.	—	—

## TERMINATION OF UNUSED PINS

Table 2 shows methods of terminating the unused pins.

**Table 2 Termination of Unused Pins**

Pin	Recommended pin termination
V <sub>PP</sub>	Open
V <sub>L1</sub> , V <sub>L2</sub> , V <sub>L3</sub>	Open
C1, C2	Open
RESET_N	Open
TEST0	Open
TEST1_N	Open
P00 to P04	V <sub>DD</sub> or V <sub>SS</sub>
P20 to P22, P24	Open
P30 to P35	Open
P40 to P47	Open
P50 to P57	Open
P60 to P67	Open
COM0 to 4	Open
SEG0 to 39	Open

**Note:**

It is recommended to set the unused input ports and input/output ports to the inputs with pull-down resistors/pull-up resistors or the output mode since the supply current may become excessively large if the pins are left open in the high impedance input setting.

**ELECTRICAL CHARACTERISTICS**
**ABSOLUTE MAXIMUM RATINGS**

 (V<sub>SS</sub> = 0V)

Parameter	Symbol	Condition	Rating	Unit
Power supply voltage 1	V <sub>DD</sub>	Ta = 25°C	-0.3 to +4.6	V
Power supply voltage 2	V <sub>PP</sub>	Ta = 25°C	-0.3 to +9.5	V
Power supply voltage 3	V <sub>DDL</sub>	Ta = 25°C	-0.3 to +3.6	V
Power supply voltage 4	V <sub>L1</sub>	Ta = 25°C	-0.3 to +2.0	V
Power supply voltage 5	V <sub>L2</sub>	Ta = 25°C	-0.3 to +4.0	V
Power supply voltage 6	V <sub>L3</sub>	Ta = 25°C	-0.3 to +6.0	V
Input voltage	V <sub>IN</sub>	Ta = 25°C	-0.3 to V <sub>DD</sub> +0.3	V
Output voltage	V <sub>OUT</sub>	Ta = 25°C	-0.3 to V <sub>DD</sub> +0.3	V
Output current 1	I <sub>OUT1</sub>	Port3-6, Ta = 25°C	-12 to +11	mA
Output current 2	I <sub>OUT2</sub>	Port2, Ta = 25°C	-12 to +20	mA
Power dissipation	PD	Ta = 25°C	0.9	W
Storage temperature	T <sub>STG</sub>	—	-55 to +150	°C

**RECOMMENDED OPERATING CONDITIONS**

 (V<sub>SS</sub> = 0V)

Parameter	Symbol	Condition	Range	Unit
Operating temperature	T <sub>OP</sub>	non-P version	-20 to +70	°C
		P version	-40 to +85	
Operating voltage	V <sub>DD</sub>	f <sub>OP</sub> = 30k to 625kHz	1.25 to 3.6	V
		f <sub>OP</sub> = 30k to 2.5MHz	1.8 to 3.6	
Operating frequency (CPU)	f <sub>OP</sub>	V <sub>DD</sub> = 1.25 to 3.6V	30k to 625k	Hz
		V <sub>DD</sub> = 1.8 to 3.6V	30k to 2.5M	
Capacitor externally connected to V <sub>DDL</sub> pin	C <sub>L</sub>	—	0.47±30%	μF
Capacitors externally connected to V <sub>L1,2,3</sub> pins	C <sub>a, b, c</sub>	—	0.1±30%	μF
Capacitors externally connected across C1 and C2 pins	C <sub>12</sub>	—	0.47±30%	μF

**CLOCK GENERATION CIRCUIT OPERATING CONDITIONS**

 (V<sub>SS</sub> = 0V)

Parameter	Symbol	Condition	Rating			Unit
			Min.	Typ.	Max.	
Low-speed crystal oscillation frequency	f <sub>XTL</sub>	—	—	32.768k	—	Hz
Recommended equivalent series resistance value of low-speed crystal oscillation	R <sub>L</sub>	—	—	—	40k	Ω
Low-speed crystal oscillation external capacitor	C <sub>DL</sub> /C <sub>GL</sub>	C <sub>L</sub> =6pF of crystal oscillation	—	12	—	pF
		C <sub>L</sub> =9pF of crystal oscillation	—	18	—	
		C <sub>L</sub> =12pF of crystal oscillation	—	24	—	

**OPERATING CONDITIONS OF FLASH ROM**

(V<sub>SS</sub> = 0V)

Parameter	Symbol	Condition	Range	Unit
Operating temperature	T <sub>OP</sub>	At write/erase	0 to +40	°C
Operating voltage	V <sub>DD</sub>	At write/erase <sup>*1</sup>	2.75 to 3.6	V
	V <sub>DDL</sub>	At write/erase <sup>*1</sup>	2.5 to 2.75	
	V <sub>PP</sub>	At write/erase <sup>*1</sup>	7.7 to 8.3	
erase/program cycles	C <sub>EP</sub>	—	80	cycles
Data retention	Y <sub>DR</sub>	—	10	years

<sup>\*1</sup>: Those voltages must be supplied to V<sub>DDL</sub> pin and V<sub>PP</sub> pin when programming and erasing Flash ROM. V<sub>PP</sub> pin has an internal pulldown resistor.

**DC CHARACTERISTICS (1/5)**

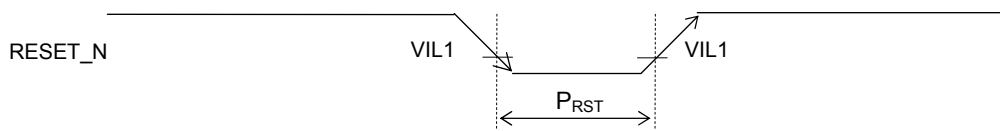
(V<sub>DD</sub> = 1.25 to 3.6V, V<sub>SS</sub> = 0V, Ta = -20 to +70°C, Ta = -40 to +85°C for P version, unless otherwise specified)

Parameter	Symbol	Condition	Rating			Unit	Measuring circuit
			Min.	Typ.	Max.		
500kHz/2MHz RC oscillation frequency	f <sub>RC</sub>	V <sub>DD</sub> = 1.25 to 3.6V	Ta = 25°C	Typ. -10%	500	Typ. +10%	kHz
			*3	Typ. -25%	500	Typ. +25%	
		V <sub>DD</sub> = 1.80 to 3.6V	Ta = 25°C	Typ. -10%	2.0	Typ. +10%	MHz
			*3	Typ. -25%	2.0	Typ. +25%	
Low-speed crystal oscillation start time <sup>*2</sup>	T <sub>XTL</sub>	—	—	0.6	2	s	1
500kHz/2MHz RC oscillation start time	T <sub>RC</sub>	—	—	—	0.3	μs	
Low-speed oscillation stop detect time <sup>*1</sup>	T <sub>STOP</sub>	—	12	16.4	41	ms	
Reset pulse width	P <sub>RST</sub>	—	200	—	—	μs	
Reset noise elimination pulse width	P <sub>NRST</sub>	—	—	—	0.3		
Power-on reset activation power rise time	T <sub>POR</sub>	—	—	—	10	ms	

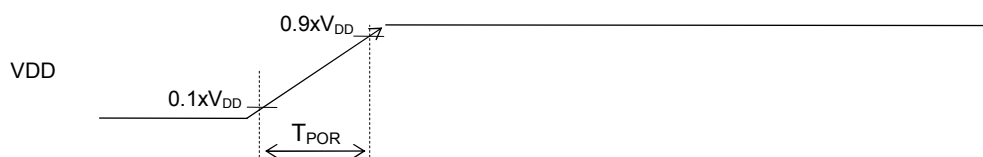
<sup>\*1</sup>: When low-speed crystal oscillation stops for a duration more than the low-speed oscillation stop detect time, the system is reset to shift to system reset mode.

<sup>\*2</sup>: 32.768KHz Crystal resonator DT-26 (Load capacitance 6pF) (made by KDS:DAISHINKU CORP.) is used (C<sub>GL</sub>=C<sub>DL</sub>=6pF).

<sup>\*3</sup>: Recommended operating temperature (Ta = -20 to +70°C, Ta = -40 to +85°C for P version)



**Reset pulse width (P<sub>RST</sub>)**



**Power-on reset activation power rise time (T<sub>POR</sub>)**

**DC CHARACTERISTICS (2/5)**

( $V_{DD} = 1.25$  to  $3.6V$ ,  $V_{SS} = 0V$ ,  $T_a = -20$  to  $+70^{\circ}C$ ,  $T_a = -40$  to  $+85^{\circ}C$  for P version, unless otherwise specified)

Parameter	Symbol	Condition	Rating			Unit	Measuring circuit
			Min.	Typ.	Max.		
$V_{DDL}$ voltage	$V_{DDL}$	$f_{OP} = 30k$ to $625kHz$	1.1	1.2	1.3		1
		$f_{OP} = 30k$ to $2.5MHz$	1.35	1.5	1.65		
$V_{DDL}$ temperature deviation *1	$\Delta V_{DDL}$	$V_{DD} = 3.0V$	—	-1	—	mV/ $^{\circ}C$	
$V_{DDL}$ voltage dependency *1	$\Delta V_{DDL}$	—	—	5	20	mV/V	

\*1:  $V_{DDL}$  can not exceed  $V_{DD}$  level. The maximum  $V_{DDL}$  becomes  $V_{DD}$  level when the  $V_{DDL}$  calculated by the temperature deviation and voltage dependency is going to exceed the  $V_{DD}$  level.

**DC CHARACTERISTICS (3/5)**

( $V_{DD} = 3.0V$ ,  $V_{SS} = 0V$ ,  $T_a = -20$  to  $+70^\circ C$ ,  $T_a = -40$  to  $+85^\circ C$  for P version)

Parameter	Symbol	Condition	Rating			Unit	Measuring circuit	
			Min.	Typ.	Max.			
Supply current 1	IDD1	CPU: In STOP state. Low-speed/high-speed RC500kHz/2MHz oscillation: stopped.	Ta= 25°C	—	0.4	0.8	μA	1
			*5	—	—	8		
Supply current 2	IDD2	CPU: In HALT state (LTBC and WDT are Operating). <sup>*3*4</sup> High-speed 500kHz/2MHz oscillation: Stopped. LCD and BIAS circuits: Operating. <sup>*6</sup>	Ta= 25°C	—	0.9	1.8	μA	
			*5	—	—	9		
Supply current 3	IDD3	CPU: In 32.768kHz operating state. <sup>*1*3</sup> High-speed 500kHz/2MHz oscillation: Stopped. LCD and BIAS circuits: Operating. <sup>*2</sup>	Ta= 25°C	—	5	8	μA	
			*5	—	—	15		
Supply current 4-1	IDD4-1	CPU: In RC 500kHz operating state. LCD and BIAS circuits: Operating. <sup>*2</sup>	Ta= 25°C	—	70	100	μA	
			*5	—	—	120		
Supply current 4-2	IDD4-2	CPU: In RC 2MHz operating state. LCD and BIAS circuits: Operating. <sup>*2</sup>	Ta= 25°C	—	280	350	μA	
			*5	—	—	400		

\*1: When the CPU operating rate is 100% (No HALT state).

\*2: All SEGs: off waveform, No LCD panel load, 1/3 bias, 1/3 duty, Frame frequency: Approx. 64 Hz, Bias voltage multiplying clock: 1/128 LSCLK (256Hz)

\*3: 32.768KHz Crystal resonator DT-26 (Load capacitance 6pF) (made by KDS:DAISHINKU CORP.) is used ( $C_{GL}=C_{DL}=6pF$ )

\*4: Significant bits of BLKCON0~BLKCON4 registers except DLCD bit on BLKCON4 are all "1".

\*5: Recommended operating temperature ( $T_a = -20$  to  $+70^\circ C$ ,  $T_a = -40$  to  $+85^\circ C$  for P version)

\*6: LCD Stop mode, 1/3 bias, Bias voltage multiplying clock: 1/128 LSCLK (256Hz)

**DC CHARACTERISTICS (4/5)**

( $V_{DD} = 1.25$  to  $3.6V$ ,  $V_{SS} = 0V$ ,  $T_a = -20$  to  $+70^{\circ}C$ ,  $T_a = -40$  to  $+85^{\circ}C$  for P version, unless otherwise specified)

Parameter	Symbol	Condition	Rating			Unit	Measuring circuit		
			Min.	Typ.	Max.				
Output voltage 1 (P20–P22,P24/ 2 <sup>nd</sup> function is selected) (P30–P36) (P40–P47) (P50–P57) (P60–P63) <sup>*1 *2</sup> (P64–P67) <sup>*1</sup>	VOH1	IOH1 = -0.5mA, $V_{DD} = 1.8$ to $3.6V$	$V_{DD}$ -0.5	—	—	V	2		
		IOH1 = -0.03mA, $V_{DD} = 1.25$ to $3.6V$	$V_{DD}$ -0.3	—	—				
	VOL1	IOL1 = +0.5mA, $V_{DD} = 1.8$ to $3.6V$	—	—	0.5				
		IOL1 = +0.1mA, $V_{DD} = 1.25$ to $3.6V$	—	—	0.3				
Output voltage 2 (P20–P22,P24/ 2 <sup>nd</sup> function is Not selected)	VOL2	IOL2 = +5mA, $V_{DD} = 1.8$ to $3.6V$	—	—	0.5			V	2
Output voltage 3 (COM0–4) (SEG0–31) <sup>*1</sup> (SEG0–35) <sup>*2</sup> (SEG0–39) <sup>*3</sup>	VOH3	IOH4 = -0.05mA, $V_{L1}=1.2V$	$V_{L3}$ -0.2	—	—				
	VOML3	IOMH4 = +0.05mA, $V_{L1}=1.2V$	—	—	$V_{L2}$ +0.2				
	VOML3S	IOM4S = -0.05mA, $V_{L1}=1.2V$	$V_{L2}$ -0.2	—	—				
	VOLM3	IOML4 = +0.05mA, $V_{L1}=1.2V$	—	—	$V_{L1}$ +0.2				
	VOLM3S	IOML4S = -0.05mA, $V_{L1}=1.2V$	$V_{L1}$ -0.2	—	—				
	VOL3	IOL4 = +0.05mA, $V_{L1}=1.2V$	—	—	0.2				
Output leakage (P20–P22, P24) (P30–P35) (P40–P47) (P50–P57) (P60–P63) <sup>*1 *2</sup> (P64–P67) <sup>*1</sup>	IOOH	VOH = $V_{DD}$ (in high-impedance state)	—	—	1	$\mu A$	3		
	IOOL	VOL = $V_{SS}$ (in high-impedance state)	-1	—	—				
Input current 1 (RESET_N, TEST1_N)	IIH1	VIH1 = $V_{DD}$	0	—	1	$\mu A$	4		
	IIL1	VIL1 = $V_{SS}$	-600	-300	-2				
Input current 2 (TEST0)	IIH2	VIH1 = $V_{DD}$	2	300	600				
	IIL2	VIL1 = $V_{SS}$	-1	—	—				
Input current 3 (P00–P04) (P30–P35) (P40–P47) (P50–P57)	IIH3	VIH3 = $V_{DD}$ , $V_{DD} = 1.8$ to $3.6V$ (when pulled-down)	2	30	200				
		VIH3 = $V_{DD}$ , $V_{DD} = 1.25$ to $3.6V$ (when pulled-down)							
	IIL3	VIL3 = $V_{SS}$ , $V_{DD} = 1.8$ to $3.6V$ (when pulled-up)	-200	-30	-2				
		VIL3 = $V_{SS}$ , $V_{DD} = 1.25$ to $3.6V$ (when pulled-up)	-200	-30	-0.01				
	IIH3Z	VIH3 = $V_{DD}$ (in high-impedance state)	—	—	1				
	IIL3Z	VIL3 = $V_{SS}$ (in high-impedance state)	-1	—	—				

\*1: pins for ML610Q407

\*2: pins for ML610Q408

\*3: pins for ML610Q409



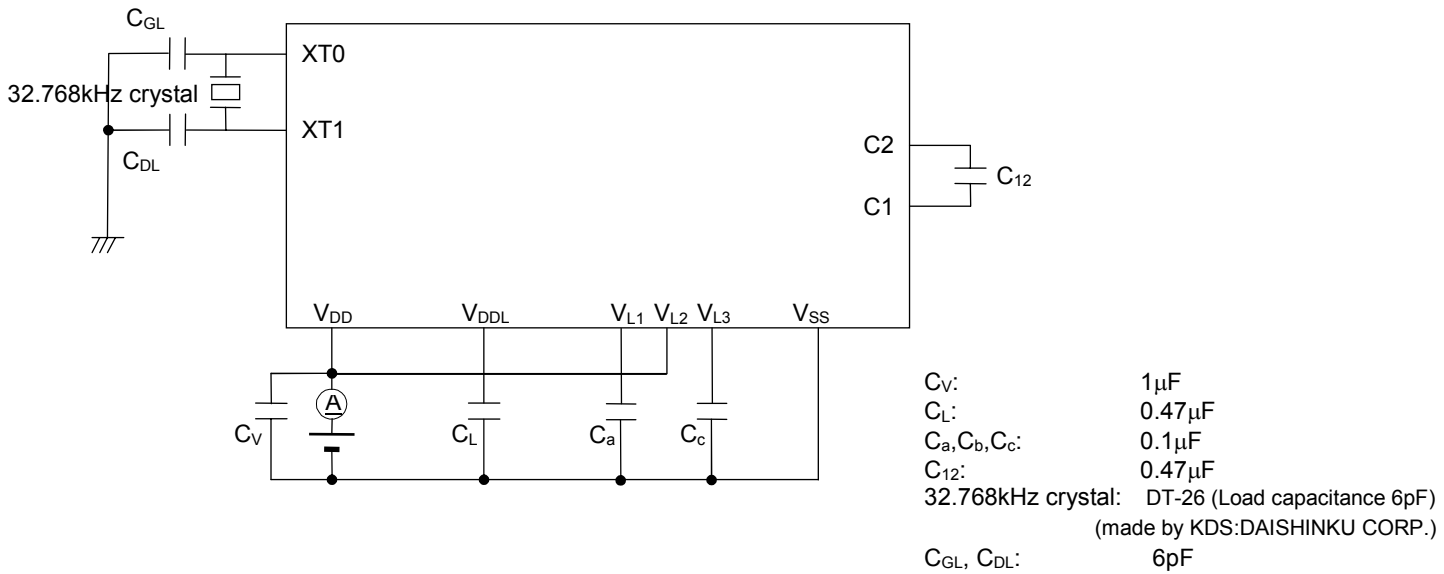
**DC CHARACTERISTICS (5/5)**

( $V_{DD} = 1.25$  to  $3.6V$ ,  $V_{SS} = 0V$ ,  $T_a = -20$  to  $+70^{\circ}C$ ,  $T_a = -40$  to  $+85^{\circ}C$  for P version, unless otherwise specified)

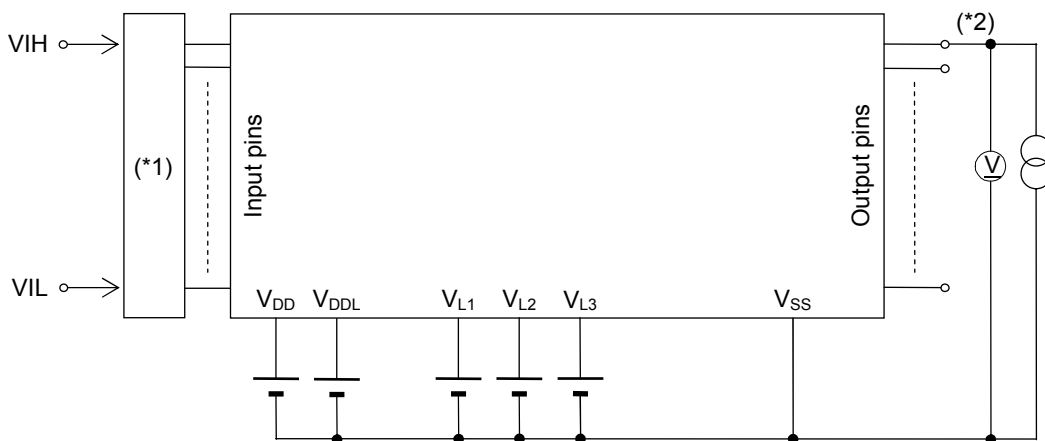
Parameter	Symbol	Condition	Rating			Unit	Measuring circuit
			Min.	Typ.	Max.		
Input voltage 1 (RESET_N) (TEST0, TEST1_N) (P00–P04) (P30–P35) (P40–P47) (P50–P57)	VIH1	—	0.7 $\times V_{DD}$	—	$V_{DD}$	V	5
	VIL1	$V_{DD} = 1.8$ to $3.6V$	0	—	0.3 $\times V_{DD}$		
		$V_{DD} = 1.25$ to $3.6V$	0	—	0.2 $\times V_{DD}$		
Input pin capacitance (P00–P04) (P30–P35) (P40–P47) (P50–P57)	CIN	f = 10kHz $V_{rms} = 50mV$ $T_a = 25^{\circ}C$	—	—	5	pF	—

**MEASURING CIRCUITS**

**MEASURING CIRCUIT 1**

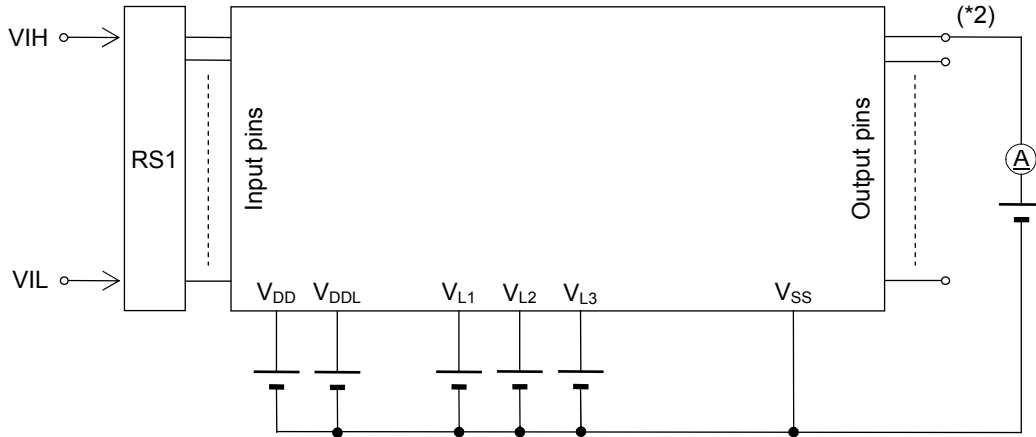


**MEASURING CIRCUIT 2**



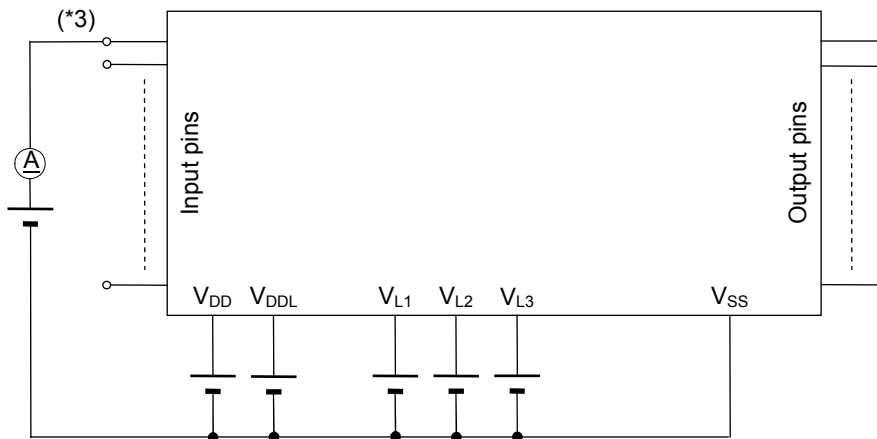
(\*1) Input logic circuit to determine the specified measuring conditions.  
 (\*2) Measured at the specified output pins.

**MEASURING CIRCUIT 3**



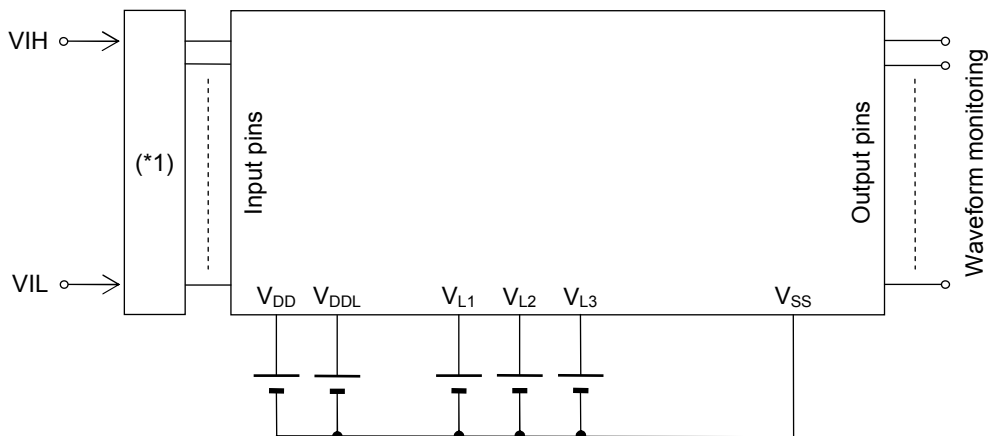
\*1: Input logic circuit to determine the specified measuring conditions.  
\*2: Measured at the specified output pins.

**MEASURING CIRCUIT 4**



\*3: Measured at the specified output pins.

**MEASURING CIRCUIT 5**

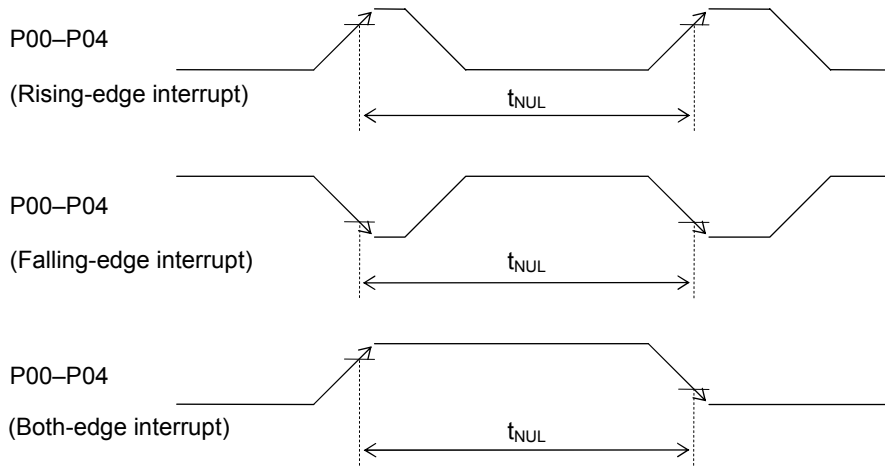


\*1: Input logic circuit to determine the specified measuring conditions.

**AC CHARACTERISTICS (External Interrupt)**

( $V_{DD} = 1.25$  to  $3.6V$ ,  $V_{SS} = 0V$ ,  $T_a = -20$  to  $+70^\circ C$ ,  $T_a = -40$  to  $+85^\circ C$  for P version, unless otherwise specified)

Parameter	Symbol	Condition	Rating			Unit
			Min.	Typ.	Max.	
External interrupt disable period	$t_{NUL}$	Interrupt: Enabled (MIE = 1), CPU: NOP operation System clock: 32.768kHz	76.8	—	106.8	$\mu s$

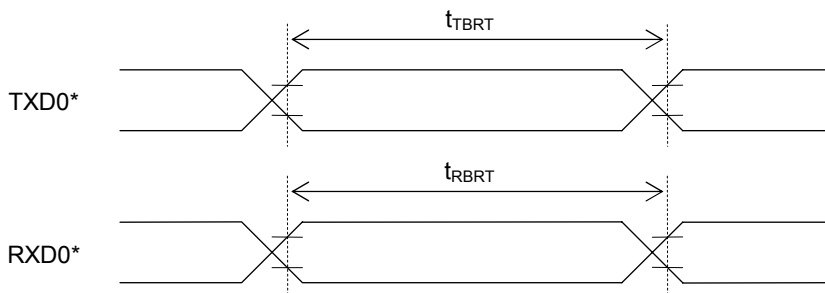


**AC CHARACTERISTICS (Serial Port)**

( $V_{DD} = 1.25$  to  $3.6V$ ,  $V_{SS} = 0V$ ,  $T_a = -20$  to  $+70^\circ C$ ,  $T_a = -40$  to  $+85^\circ C$  for P version, unless otherwise specified)

Parameter	Symbol	Condition	Rating			Unit
			Min.	Typ.	Max.	
Transmit baud rate	$t_{TBRT}$	—	—	$BRT^{*1}$	—	s
Receive baud rate	$t_{RBRT}$	—	$BRT^{*1}$ -3%	$BRT^{*1}$	$BRT^{*1}$ +3%	s

\*1: Baud rate period (including the error of the clock frequency selected) set with the serial port baud rate register (SIOBRTL,H) and the serial port mode register 0 (SIOMOD0).



\*: Indicates the secondary function of the port.

**AC CHARACTERISTICS (Synchronous Serial Port)**

( $V_{DD} = 1.25$  to  $3.6V$ ,  $V_{SS} = 0V$ ,  $T_a = -20$  to  $+70^{\circ}C$ ,  $T_a = -40$  to  $+85^{\circ}C$  for P version, unless otherwise specified)

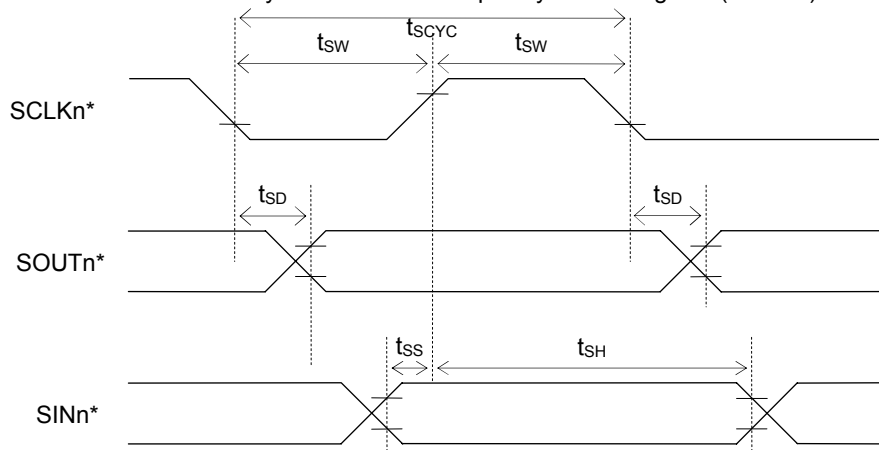
Parameter	Symbol	Condition	Rating			Unit
			Min.	Typ.	Max.	
SCLKn input cycle (slave mode)	$t_{SCYC}$	When RC oscillation is 500kHz *2 ( $V_{DD} = 1.25$ to $3.6V$ )	10	—	—	$\mu s$
		When RC oscillation is 2MHz *3 ( $V_{DD} = 1.8$ to $3.6V$ )	2	—	—	
SCLKn output cycle (master mode)	$t_{SCYC}$	—	—	$SCLKn^{*1}$	—	s
SCLKn input pulse width (slave mode)	$t_{SW}$	When RC oscillation is 500kHz *2 ( $V_{DD} = 1.25$ to $3.6V$ )	4	—	—	$\mu s$
		When RC oscillation is 2MHz *3 ( $V_{DD} = 1.8$ to $3.6V$ )	04	—	—	
SCLKn output pulse width (master mode)	$t_{SW}$	—	$SCLKn^{*1}$ $\times 0.4$	$SCLKn^{*1}$ $\times 0.5$	$SCLKn^{*1}$ $\times 0.6$	s
SOUTn output delay time (slave mode)	$t_{SD}$	When RC oscillation is 500kHz *2 ( $V_{DD} = 1.25$ to $3.6V$ ) output load 10pF	—	—	500	ns
		When RC oscillation is 2MHz *3 ( $V_{DD} = 1.8$ to $3.6V$ ) output load 10pF	—	—	240	
SOUTn output delay time (master mode)	$t_{SD}$	When RC oscillation is 500kHz *2 ( $V_{DD} = 1.25$ to $3.6V$ ) output load 10pF	—	—	500	ns
		When RC oscillation is 2MHz *3 ( $V_{DD} = 1.8$ to $3.6V$ ) output load 10pF	—	—	240	
SINn input setup time (slave mode)	$t_{SS}$	—	80	—	—	ns
SINn input setup time (master mode)	$t_{SS}$	When RC oscillation is 500kHz *2 ( $V_{DD} = 1.25$ to $3.6V$ )	500	—	—	ns
		When RC oscillation is 2MHz *3 ( $V_{DD} = 1.8$ to $3.6V$ )	240	—	—	
SINn input hold time	$t_{SH}$	When RC oscillation is 500kHz *2 ( $V_{DD} = 1.25$ to $3.6V$ )	300	—	—	ns
		When RC oscillation is 2MHz *3 ( $V_{DD} = 1.8$ to $3.6V$ )	80	—	—	

n= 0,1

\*1: Clock period selected with SnCK3-0 of the serial port n mode register (SIO nMOD1)

\*2: When 500kHz RC oscillation is selected by OSCM2 of the frequency control register (FCON0)

\*3: When 2MHz RC oscillation is selected by OSCM2 of the frequency control register (FCON0)



\*: Indicates the secondary function of the port (n= 0,1)

**AC CHARACTERISTICS (RC Oscillation A/D Converter)**

Condition for  $V_{DD}=1.8$  to  $3.6V$

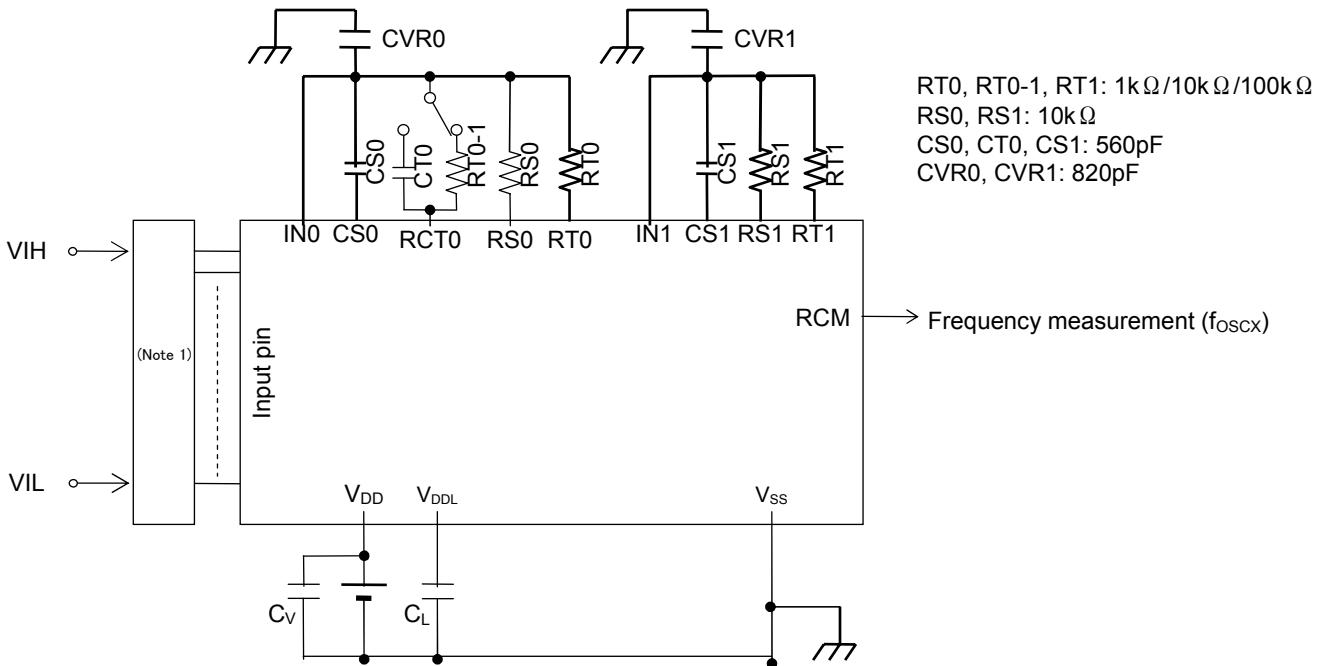
( $V_{DD}=1.8$  to  $3.6V$ ,  $V_{SS}=0V$ ,  $T_a=-20$  to  $+70^{\circ}C$ ,  $T_a=-40$  to  $+85^{\circ}C$  for P version, unless otherwise specified)

Parameter	Symbol	Condition	Rating			Unit
			Min.	Typ.	Max.	
Oscillation resistor	RS0,RS1,RT0,RT0-1,RT1	CS0, CT0, CS1 $\geq$ 740pF	1	—	—	k $\Omega$
Oscillation frequency $V_{DD} = 3.0V$	$f_{OSC1}$	Resistor for oscillation=1k $\Omega$	457.3	525.2	575.1	kHz
	$f_{OSC2}$	Resistor for oscillation=10k $\Omega$	53.48	58.18	62.43	kHz
	$f_{OSC3}$	Resistor for oscillation=100k $\Omega$	5.43	5.89	6.32	kHz
RS to RT oscillation frequency ratio <sup>*1</sup> $V_{DD} = 3.0V$	Kf1	RT0, RT0-1, RT1=1k $\Omega$	7.972	9.028	9.782	—
	Kf2	RT0, RT0-1, RT1=10k $\Omega$	0.981	1	1.019	—
	Kf3	RT0, RT0-1, RT1=100k $\Omega$	0.099	0.101	0.104	—

\*1: Kfx is the ratio of the oscillation frequency by the sensor resistor to the oscillation frequency by the reference resistor on the same conditions.

$$Kfx = \frac{f_{OSCx}(RT0-CS0 \text{ oscillation})}{f_{OSCx}(RS0-CS0 \text{ oscillation})} \quad , \quad \frac{f_{OSCx}(RT0-1-CS0 \text{ oscillation})}{f_{OSCx}(RS0-CS0 \text{ oscillation})} \quad , \quad \frac{f_{OSCx}(RT1-CS1 \text{ oscillation})}{f_{OSCx}(RS1-CS1 \text{ oscillation})}$$

( x = 1, 2, 3 )



\*1: Input logic circuit to determine the specified measuring conditions.

Condition for  $V_{DD}=1.25$  to  $3.6V$

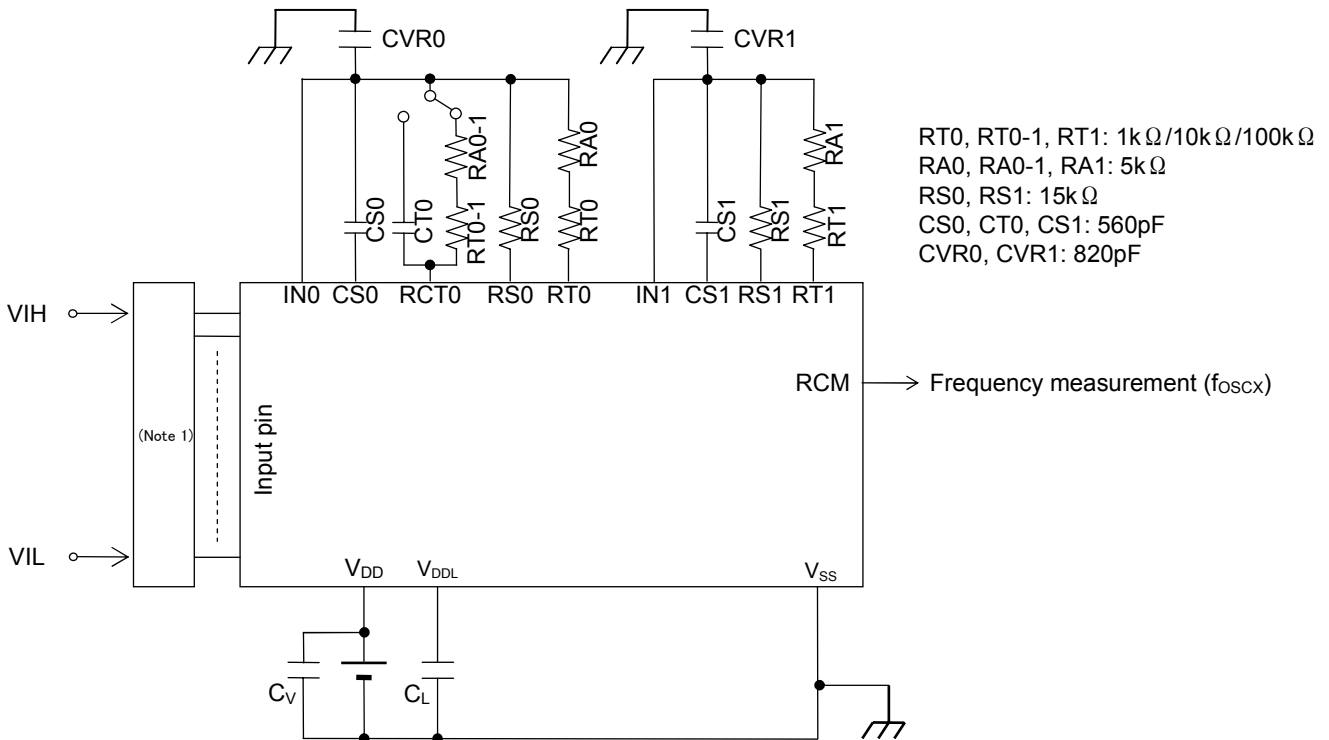
( $V_{DD}=1.25$  to  $3.6V$ ,  $V_{SS}=0V$ ,  $T_a=-20$  to  $+70^{\circ}C$ ,  $T_a=-40$  to  $+85^{\circ}C$  for P version, unless otherwise specified)

Parameter	Symbol	Condition	Rating			Unit
			Min.	Typ.	Max.	
Oscillation resistor	RS0,RS1,RT0, RT0-1,RT1	CS0, CT0, CS1 $\geq$ 740pF	1	—	—	k $\Omega$
Oscillation frequency $V_{DD} = 1.5V$	$f_{OSC1}$	Resistor for oscillation=6k $\Omega$	81.93	93.16	101.2	kHz
	$f_{OSC2}$	Resistor for oscillation=15k $\Omega$	35.32	38.75	41.48	kHz
	$f_{OSC3}$	Resistor for oscillation=105k $\Omega$	5.22	5.65	6.03	kHz
RS to RT oscillation frequency ratio <sup>*1</sup> $V_{DD} = 1.5V$	Kf1	RT0, RT0-1, RT1=1k $\Omega$	2.139	2.381	2.632	—
	Kf2	RT0, RT0-1, RT1=10k $\Omega$	0.973	1	1.028	—
	Kf3	RT0, RT0-1, RT1=100k $\Omega$	0.142	0.147	0.152	—
Oscillation frequency $V_{DD} = 3.0V$	$f_{OSC1}$	Resistor for oscillation=6k $\Omega$	85.28	94.58	103.3	kHz
	$f_{OSC2}$	Resistor for oscillation=15k $\Omega$	35.72	38.87	41.78	kHz
	$f_{OSC3}$	Resistor for oscillation=105k $\Omega$	5.189	5.622	6.012	kHz
RS to RT oscillation frequency ratio <sup>*1</sup> $V_{DD} = 3.0V$	Kf1	RT0, RT0-1, RT1=1k $\Omega$	2.227	2.432	2.626	—
	Kf2	RT0, RT0-1, RT1=10k $\Omega$	0.982	1	1.018	—
	Kf3	RT0, RT0-1, RT1=100k $\Omega$	0.141	0.145	0.149	—

\*1: Kfx is the ratio of the oscillation frequency by the sensor resistor to the oscillation frequency by the reference resistor on the same conditions.

$$Kfx = \frac{f_{OSCx}(RT0-CS0 \text{ oscillation})}{f_{OSCx}(RS0-CS0 \text{ oscillation})}, \frac{f_{OSCx}(RT0-1-CS0 \text{ oscillation})}{f_{OSCx}(RS0-CS0 \text{ oscillation})}, \frac{f_{OSCx}(RT1-CS1 \text{ oscillation})}{f_{OSCx}(RS1-CS1 \text{ oscillation})}$$

(x = 1, 2, 3)



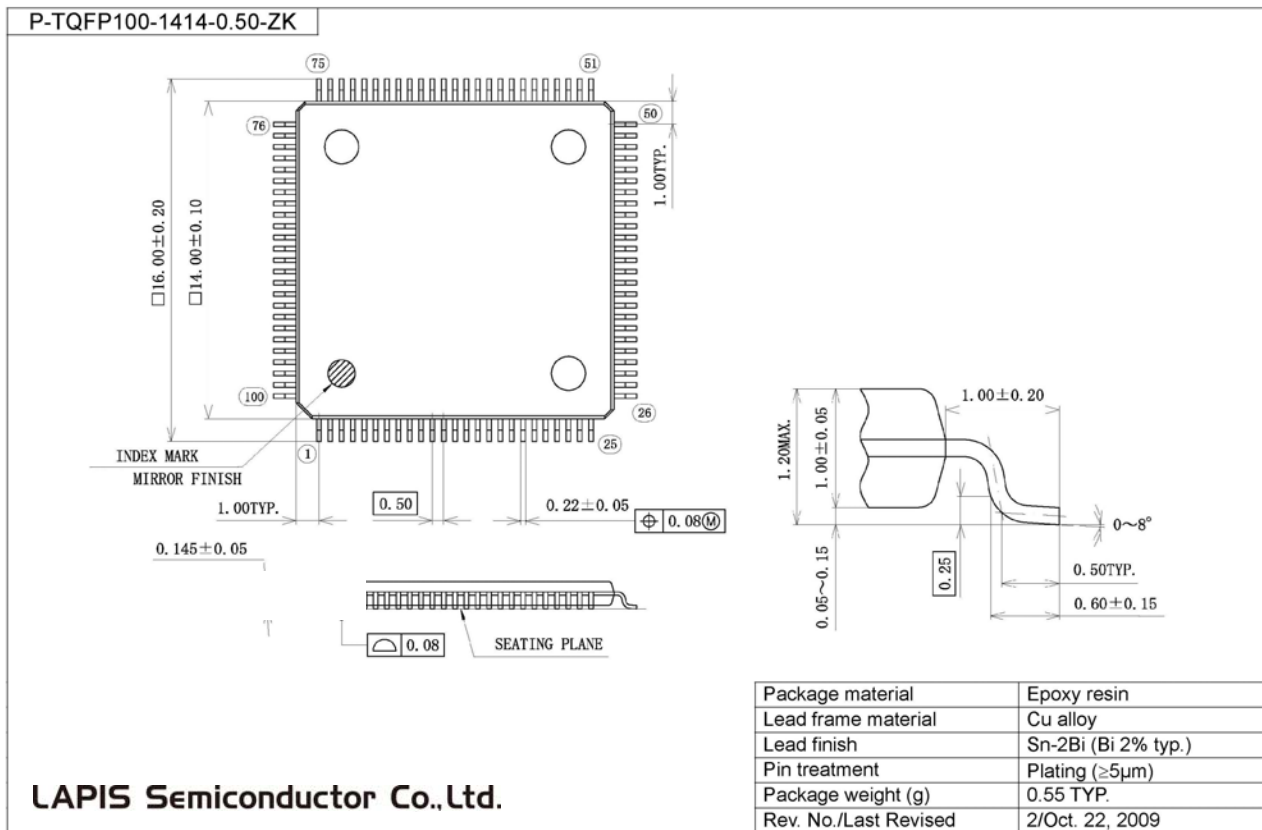
\*1: Input logic circuit to determine the specified measuring conditions.

**Note:**

- Please have the shortest layout for the common node (wiring patterns which are connected to the external capacitors, resistors and IN0/IN1 pin), including CVR0/CVR1. Especially, do not have long wire between IN0/IN1 and RS0/RS1. The coupling capacitance on the wires may occur incorrect A/D conversion. Also, please do not have signals which may be a source of noise around the node.
- When RT0/RT1 (Thermistor and etc.) requires long wiring due to the restricted placement, please have VSS(GND) trace next to the signal.
- Please make wiring to components (capacitor, resistor and etc.) necessary for objective measurement. Wiring to reserved components may affect to the A/D conversion operation by noise the components itself may have.

Package Dimensions

(Unit : mm)



Notes for Mounting the Surface Mount Type Package

The surface mount type packages are very susceptible to heat in reflow mounting and humidity absorbed in storage. Therefore, before you perform reflow mounting, contact our responsible sales person for the product name, package name, pin number, package code and desired mounting conditions (reflow method, temperature and times).



**Revision History**

Document No.	Date	Page		Description
		Previous Edition	Current Edition	
FEDL610Q409-01	Nov.7,2010	–	–	Formally edition 1
FEDL610Q409-02	Jul.12,2011	2	2	Add comment of uart half duplex communication
		3	3	Add "D" version in the supply form
FEDL610Q409-03	Jan.24,2014	All	All	Change header and footer
		2	2	Add "A" version in the supply form
		2	2	Changed the description of LCD 1/2 bias supported version
		3	4	
		3	4	Change from "Shipment" to " Product name – Supported Function "
20	21	Correct minimum time of Power-on reset generated power rise time		
FEDL610Q409-04	Mar.20,2014	4	4	Correct the "Product name – Supported Function"
FEDL610Q409-05	May.23,2014	-	20	Add Clock Generation Circuit Operating Conditions
		21	21	Change "RESET" to " Reset pulse width (P <sub>RST</sub> )" and " Power-on reset activation power rise time (T <sub>POR</sub> )".
		21	21	Correct minimum time of Power-on reset generated power rise time
		21	21	Correct the C <sub>GL</sub> 's value and the C <sub>DL</sub> 's value of DC CHARACTERISTICS (1/5)'s note No.2

## NOTES

No copying or reproduction of this document, in part or in whole, is permitted without the consent of LAPIS Semiconductor Co., Ltd.

The content specified herein is subject to change for improvement without notice.

Examples of application circuits, circuit constants and any other information contained herein illustrate the standard usage and operations of the Products. The peripheral conditions must be taken into account when designing circuits for mass production.

Great care was taken in ensuring the accuracy of the information specified in this document. However, should you incur any damage arising from any inaccuracy or misprint of such information, LAPIS Semiconductor shall bear no responsibility for such damage.

The technical information specified herein is intended only to show the typical functions of and examples of application circuits for the Products. LAPIS Semiconductor does not grant you, explicitly or implicitly, any license to use or exercise intellectual property or other rights held by LAPIS Semiconductor and other parties. LAPIS Semiconductor shall bear no responsibility whatsoever for any dispute arising from the use of such technical information.

The Products specified in this document are intended to be used with general-use electronic equipment or devices (such as audio visual equipment, office-automation equipment, communication devices, electronic appliances and amusement devices).

The Products specified in this document are not designed to be radiation tolerant.

While LAPIS Semiconductor always makes efforts to enhance the quality and reliability of its Products, a Product may fail or malfunction for a variety of reasons.

Please be sure to implement in your equipment using the Products safety measures to guard against the possibility of physical injury, fire or any other damage caused in the event of the failure of any Product, such as derating, redundancy, fire control and fail-safe designs. LAPIS Semiconductor shall bear no responsibility whatsoever for your use of any Product outside of the prescribed scope or not in accordance with the instruction manual.

The Products are not designed or manufactured to be used with any equipment, device or system which requires an extremely high level of reliability the failure or malfunction of which may result in a direct threat to human life or create a risk of human injury (such as a medical instrument, transportation equipment, aerospace machinery, nuclear-reactor controller, fuel-controller or other safety device). LAPIS Semiconductor shall bear no responsibility in any way for use of any of the Products for the above special purposes. If a Product is intended to be used for any such special purpose, please contact a ROHM sales representative before purchasing.

If you intend to export or ship overseas any Product or technology specified herein that may be controlled under the Foreign Exchange and the Foreign Trade Law, you will be required to obtain a license or permit under the Law.

Copyright 2011-2014 LAPIS Semiconductor Co., Ltd.

Компания «Океан Электроники» предлагает заключение долгосрочных отношений при поставках импортных электронных компонентов на взаимовыгодных условиях!

Наши преимущества:

- Поставка оригинальных импортных электронных компонентов напрямую с производств Америки, Европы и Азии, а так же с крупнейших складов мира;
- Широкая линейка поставок активных и пассивных импортных электронных компонентов (более 30 млн. наименований);
- Поставка сложных, дефицитных, либо снятых с производства позиций;
- Оперативные сроки поставки под заказ (от 5 рабочих дней);
- Экспресс доставка в любую точку России;
- Помощь Конструкторского Отдела и консультации квалифицированных инженеров;
- Техническая поддержка проекта, помощь в подборе аналогов, поставка прототипов;
- Поставка электронных компонентов под контролем ВП;
- Система менеджмента качества сертифицирована по Международному стандарту ISO 9001;
- При необходимости вся продукция военного и аэрокосмического назначения проходит испытания и сертификацию в лаборатории (по согласованию с заказчиком);
- Поставка специализированных компонентов военного и аэрокосмического уровня качества (Xilinx, Altera, Analog Devices, Intersil, Interpoint, Microsemi, Actel, Aeroflex, Peregrine, VPT, Syfer, Eurofarad, Texas Instruments, MS Kennedy, Miteq, Cobham, E2V, MA-COM, Hittite, Mini-Circuits, General Dynamics и др.);

Компания «Океан Электроники» является официальным дистрибьютором и эксклюзивным представителем в России одного из крупнейших производителей разъемов военного и аэрокосмического назначения «JONHON», а так же официальным дистрибьютором и эксклюзивным представителем в России производителя высокотехнологичных и надежных решений для передачи СВЧ сигналов «FORSTAR».



## JONHON

«JONHON» (основан в 1970 г.)

Разъемы специального, военного и аэрокосмического назначения:

(Применяются в военной, авиационной, аэрокосмической, морской, железнодорожной, горно- и нефтедобывающей отраслях промышленности)

«FORSTAR» (основан в 1998 г.)

ВЧ соединители, коаксиальные кабели,  
кабельные сборки и микроволновые компоненты:

(Применяются в телекоммуникациях гражданского и специального назначения, в средствах связи, РЛС, а так же военной, авиационной и аэрокосмической отраслях промышленности).



Телефон: 8 (812) 309-75-97 (многоканальный)

Факс: 8 (812) 320-03-32

Электронная почта: [ocean@oceanchips.ru](mailto:ocean@oceanchips.ru)

Web: <http://oceanchips.ru/>

Адрес: 198099, г. Санкт-Петербург, ул. Калинина, д. 2, корп. 4, лит. А