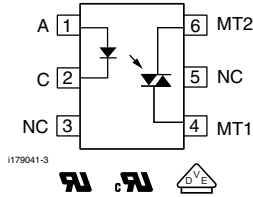


Optocoupler, Phototriac Output, High dV/dt, Low Input Current



21842-1



H79041-3



DESCRIPTION

The IL4216, IL4217, IL4218 consists of an AlGaAs IRLED optically coupled to a pair of photosensitive non-zero crossing SCR chips and are connected inversely parallel to form a TRIAC. These three semiconductors are assembled in a six pin 0.3 inch dual in-line package.

High input sensitivity is achieved by using an emitter follower phototransistor and a cascaded SCR predriver resulting in an LED trigger current of less than 1.3 mA (DC). The use of a proprietary dV/dt clamp results in a static dV/dt of greater than 10 kV/μs. This clamp circuit has a MOSFET that is enhanced when high dV/dt spikes occur between MT1 and MT2 of the TRIAC. The FET clamps the base of the phototransistor when conducting, disabling the internal SCR predriver.

The blocking voltage of up to 800 V permits control of off-line voltages up to 240 V_{AC}, with a safety factor more than two, and is sufficient for as much as 380 V_{AC}. Current handling capability is up to 300 mA RMS, continuous at 25 °C.

The IL4216, IL4217, IL4218 isolates low-voltage logic from 120, 240, and 380 VAC lines to control resistive inductive, or capacitive loads including motors solenoids, high current thyristors or TRIAC and relays.

FEATURES

- High input sensitivity I_{FT} = 1.3 mA
- 300 mA on-state current
- High static dV/dt 10000 V/μs, typical
- Very low leakage < 10 μA
- Isolation test voltage 5300 V_{RMS}
- Compliant to RoHS Directive 2002/95/EC and in accordance to WEEE 2002/96/EC



RoHS
COMPLIANT

APPLICATIONS

- Solid state relay
- Industrial controls
- Office equipment
- Consumer appliances

AGENCY APPROVALS

- UL1577, file no. E52744 system code J
- CSA 93751
- DIN EN 60747-5-5 (VDE 0884) available with option 1
- BSI IEC60950; IEC60065
- FIMKO

ORDERING INFORMATION



| AGENCY CERTIFIED/PACKAGE | BLOCKING VOLTAGE V _{DRM} (V) | | |
|---------------------------------|---------------------------------------|-------------|-----------------------------|
| | 600 | 700 | 800 |
| UL, cUL, BSI, FIMKO | | | |
| DIP-6 | IL4216 | IL4217 | IL4218 |
| DIP-6, 400 mil, option 6 | IL4216-X006 | - | IL4218-X006 |
| SMD-6, option 7 | IL4216-X007T | IL4217-X007 | - |
| SMD-6, option 9 | IL4216-X009T ⁽¹⁾ | IL4217-X009 | - |
| VDE, UL, cUL, BSI, FIMKO | | | |
| DIP-6 | IL4216-X001 | - | IL4218-X001 |
| DIP-6, 400 mil, option 6 | IL4216-X016 | - | IL4218-X016 |
| SMD-6, option 7 | - | - | IL4218-X017T ⁽¹⁾ |
| SMD-6, option 9 | - | - | IL4218-X019T ⁽¹⁾ |

Note

⁽¹⁾ Also available in tubes, do not put T on the end.

IL4216, IL4217, IL4218



Vishay Semiconductors Optocoupler, Phototriac Output,
High dV/dt, Low Input Current

| ABSOLUTE MAXIMUM RATINGS (1) ($T_{amb} = 25\text{ }^{\circ}\text{C}$, unless otherwise specified) | | | | | |
|--|--|--------|------------|----------------|-----------|
| PARAMETER | TEST CONDITION | PART | SYMBOL | VALUE | UNIT |
| INPUT | | | | | |
| Reverse voltage | | | V_R | 6 | V |
| Forward current | | | I_F | 60 | mA |
| Surge current | | | I_{FSM} | 2.5 | A |
| Power dissipation | | | P_{diss} | 100 | mW |
| Derate linearly from 25 °C | | | | 1.33 | mW/°C |
| Thermal resistance | | | R_{th} | 750 | °C/W |
| OUTPUT | | | | | |
| Peak off-state voltage | | IL4216 | V_{DRM} | 600 | V |
| | | IL4217 | V_{DRM} | 700 | V |
| | | IL4218 | V_{DRM} | 800 | V |
| RMS on-state current | | | I_{DRM} | 300 | mA |
| Single cycle surge | | | I_{TSM} | 3 | A |
| Power dissipation | | | P_{diss} | 300 | mW |
| Derate linearly from 25 °C | | | | 6.6 | mW/°C |
| Thermal resistance | | | R_{th} | 150 | °C/W |
| COUPLER | | | | | |
| Creepage distance | | | | ≥ 7 | mm |
| Clearance | | | | ≥ 7 | mm |
| Storage temperature | | | T_{stg} | - 55 to + 150 | °C |
| Ambient temperature | | | T_{amb} | - 55 to + 100 | °C |
| Isolation test voltage | | | V_{ISO} | 5300 | V_{RMS} |
| Isolation resistance | $V_{IO} = 500\text{ V}, T_{amb} = 25\text{ }^{\circ}\text{C}$ | | R_{IO} | $\geq 10^{12}$ | Ω |
| | $V_{IO} = 500\text{ V}, T_{amb} = 100\text{ }^{\circ}\text{C}$ | | R_{IO} | $\geq 10^{11}$ | Ω |
| Lead soldering temperature (2) | 5 s | | T_{slid} | 260 | °C |

Notes

- (1) Stresses in excess of the absolute maximum ratings can cause permanent damage to the device. Functional operation of the device is not implied at these or any other conditions in excess of those given in the operational sections of this document. Exposure to absolute maximum ratings for extended periods of the time can adversely affect reliability.
- (2) Refer to reflow profile for soldering conditions for surface mounted devices (SMD). Refer to wave profile for soldering conditions for through hole devices (DIP).



| ELECTRICAL CHARACTERISTICS (T _{amb} = 25 °C, unless otherwise specified) | | | | | | | |
|---|--|--------|------------------------|--------|------|------|------|
| PARAMETER | TEST CONDITION | PART | SYMBOL | MIN. | TYP. | MAX. | UNIT |
| INPUT | | | | | | | |
| Forward voltage | I _F = 20 mA | | V _F | | 1.3 | 1.5 | V |
| Breakdown voltage | I _R = 10 μA | | V _{BR} | 6 | 30 | | V |
| Reverse current | V _R = 6 V | | I _R | | 0.1 | 10 | μA |
| Input capacitance | V _F = 0 V, f = 1 MHz | | C _{IN} | | 40 | | pF |
| Thermal resistance, junction to lead | | | R _{thjl} | | 750 | | °C/W |
| OUTPUT | | | | | | | |
| Repetitive peak off-state voltage | I _{DRM} = 100 μA | IL4216 | V _{DRM} | 600 | 650 | | V |
| | | IL4217 | V _{DRM} | 700 | 750 | | V |
| | | IL4218 | V _{DRM} | 800 | 850 | | V |
| Off-state voltage | I _{D(RMS)} = 70 μA | IL4216 | V _{D(RMS)} | 424 | 460 | | V |
| | | IL4217 | V _{D(RMS)} | 484 | 536 | | V |
| | | IL4218 | V _{D(RMS)} | 565 | 613 | | V |
| Off-state current | V _D = 600 V, T _{amb} = 100 °C | | I _{D(RMS)} | | 10 | 100 | μA |
| Reverse current | V _R = 600 V, T _{amb} = 25 °C | | I _{RMS} | | 10 | 100 | μA |
| On-state voltage | I _T = 300 mA | | V _{TM} | | 1.7 | 3 | V |
| On-state current | PF = 1, V _{T(RMS)} = 1.7 V | | I _{TM} | | | 300 | mA |
| Surge (non-repetitive, on-state current) | f = 50 Hz | | I _{TSM} | | | 3 | A |
| Holding current | V _T = 3 V | | I _H | | 65 | 200 | μA |
| Latching current | V _T = 2.2 V | | I _L | | | 500 | μA |
| LED trigger current | V _{AK} = 5 V | | I _{FT} | | 0.7 | | mA |
| Critical rate of rise of off-state voltage | V _D = 0.67 V _{DRM} , T _{amb} = 25 °C | | dV/dt _{cr} | 10 000 | | | V/μs |
| | V _D = 0.67 V _{DRM} , T _{amb} = 80 °C | | dV/dt _{cr} | 5000 | | | V/μs |
| Critical rate of rise of voltage at current commutation | V _D = 230 V _{RMS} , I _D = 300 mA _{RMS} , T _J = 25 °C | | dV/dt _{crq} | | 8 | | V/μs |
| | V _D = 230 V _{RMS} , I _D = 300 mA _{RMS} , T _J = 85 °C | | dV/dt _{crq} | | 7 | | V/μs |
| Critical rate of rise of on-state current commutation | V _D = 230 V _{RMS} , I _D = 300 mA _{RMS} , T _J = 25 °C | | dI/dt _{crq} | | 12 | | A/ms |
| Thermal resistance, junction to lead | | | R _{thjl} | | 150 | | °C/W |
| COUPLER | | | | | | | |
| Capacitance (input to output) | f = 1 MHz, V _{IO} = 0 V | | C _{IO} | | 0.8 | | pF |
| Critical rate of rise of coupled input to output voltage | I _T = 0, V _{RM} = V _{DM} = 300 VAC | | dV _(IO) /dt | 5000 | 1 | | mA |

Note

- Minimum and maximum values are testing requirements. Typical values are characteristics of the device and are the result of engineering evaluation. Typical values are for information only and are not part of the testing requirements.

POWER FACTOR CONSIDERATIONS

A snubber is not needed to eliminate false operation of the TRIAC driver because of the IL4216, IL4217, IL4218 high static and commutating dV/dt with loads between 1 and 0.8 power factors. When inductive loads with power factors less than 0.8 are being driven, include a RC snubber or a single capacitor directly across the device to damp the peak commutating dV/dt spike. Normally a commutating dV/dt causes a turning-off device to stay on due to the stored energy remaining in the turning-off device.



Fig. 1 - Shunt Capacitance vs. Load Current vs. Power Factor

IL4216, IL4217, IL4218



Vishay Semiconductors Optocoupler, Phototriac Output,
High dV/dt, Low Input Current

TYPICAL CHARACTERISTICS ($T_{amb} = 25\text{ }^{\circ}\text{C}$, unless otherwise specified)



Fig. 2 - LED Forward Current vs. Forward Voltage



Fig. 5 - Maximum LED Power Dissipation



Fig. 3 - Forward Voltage vs. Forward Current

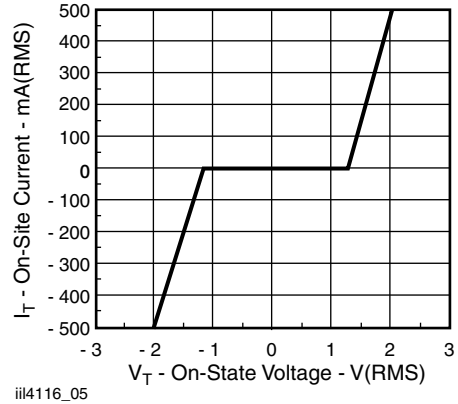


Fig. 6 - On-State Terminal Voltage vs. Terminal Current



Fig. 4 - Peak LED Current vs. Duty Factor, τ



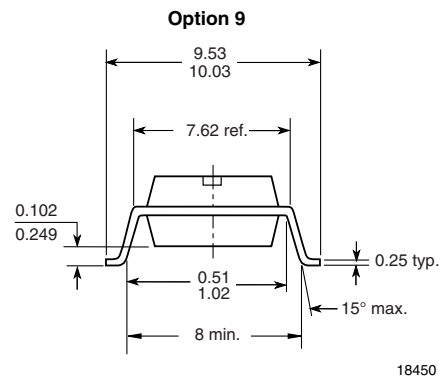
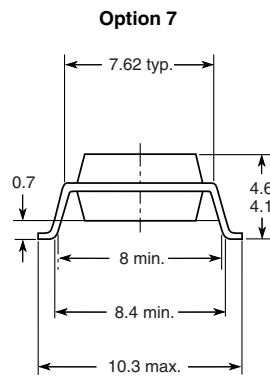
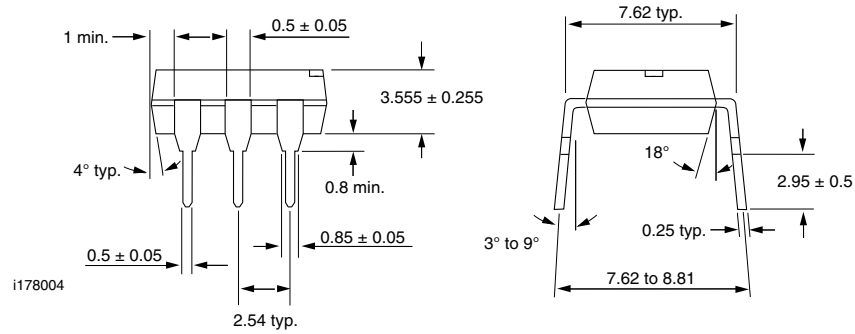
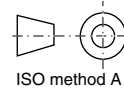
Fig. 7 - Maximum Output Power Dissipation



IL4216, IL4217, IL4218

Optocoupler, Phototriac Output, Vishay Semiconductors
High dV/dt, Low Input Current

PACKAGE DIMENSIONS in millimeters





Disclaimer

ALL PRODUCT, PRODUCT SPECIFICATIONS AND DATA ARE SUBJECT TO CHANGE WITHOUT NOTICE TO IMPROVE RELIABILITY, FUNCTION OR DESIGN OR OTHERWISE.

Vishay Intertechnology, Inc., its affiliates, agents, and employees, and all persons acting on its or their behalf (collectively, "Vishay"), disclaim any and all liability for any errors, inaccuracies or incompleteness contained in any datasheet or in any other disclosure relating to any product.

Vishay makes no warranty, representation or guarantee regarding the suitability of the products for any particular purpose or the continuing production of any product. To the maximum extent permitted by applicable law, Vishay disclaims (i) any and all liability arising out of the application or use of any product, (ii) any and all liability, including without limitation special, consequential or incidental damages, and (iii) any and all implied warranties, including warranties of fitness for particular purpose, non-infringement and merchantability.

Statements regarding the suitability of products for certain types of applications are based on Vishay's knowledge of typical requirements that are often placed on Vishay products in generic applications. Such statements are not binding statements about the suitability of products for a particular application. It is the customer's responsibility to validate that a particular product with the properties described in the product specification is suitable for use in a particular application. Parameters provided in datasheets and/or specifications may vary in different applications and performance may vary over time. All operating parameters, including typical parameters, must be validated for each customer application by the customer's technical experts. Product specifications do not expand or otherwise modify Vishay's terms and conditions of purchase, including but not limited to the warranty expressed therein.

Except as expressly indicated in writing, Vishay products are not designed for use in medical, life-saving, or life-sustaining applications or for any other application in which the failure of the Vishay product could result in personal injury or death. Customers using or selling Vishay products not expressly indicated for use in such applications do so at their own risk. Please contact authorized Vishay personnel to obtain written terms and conditions regarding products designed for such applications.

No license, express or implied, by estoppel or otherwise, to any intellectual property rights is granted by this document or by any conduct of Vishay. Product names and markings noted herein may be trademarks of their respective owners.

Material Category Policy

Vishay Intertechnology, Inc. hereby certifies that all its products that are identified as RoHS-Compliant fulfill the definitions and restrictions defined under Directive 2011/65/EU of The European Parliament and of the Council of June 8, 2011 on the restriction of the use of certain hazardous substances in electrical and electronic equipment (EEE) - recast, unless otherwise specified as non-compliant.

Please note that some Vishay documentation may still make reference to RoHS Directive 2002/95/EC. We confirm that all the products identified as being compliant to Directive 2002/95/EC conform to Directive 2011/65/EU.

Vishay Intertechnology, Inc. hereby certifies that all its products that are identified as Halogen-Free follow Halogen-Free requirements as per JEDEC JS709A standards. Please note that some Vishay documentation may still make reference to the IEC 61249-2-21 definition. We confirm that all the products identified as being compliant to IEC 61249-2-21 conform to JEDEC JS709A standards.

Компания «Океан Электроники» предлагает заключение долгосрочных отношений при поставках импортных электронных компонентов на взаимовыгодных условиях!

Наши преимущества:

- Поставка оригинальных импортных электронных компонентов напрямую с производств Америки, Европы и Азии, а так же с крупнейших складов мира;
- Широкая линейка поставок активных и пассивных импортных электронных компонентов (более 30 млн. наименований);
- Поставка сложных, дефицитных, либо снятых с производства позиций;
- Оперативные сроки поставки под заказ (от 5 рабочих дней);
- Экспресс доставка в любую точку России;
- Помощь Конструкторского Отдела и консультации квалифицированных инженеров;
- Техническая поддержка проекта, помощь в подборе аналогов, поставка прототипов;
- Поставка электронных компонентов под контролем ВП;
- Система менеджмента качества сертифицирована по Международному стандарту ISO 9001;
- При необходимости вся продукция военного и аэрокосмического назначения проходит испытания и сертификацию в лаборатории (по согласованию с заказчиком);
- Поставка специализированных компонентов военного и аэрокосмического уровня качества (Xilinx, Altera, Analog Devices, Intersil, Interpoint, Microsemi, Actel, Aeroflex, Peregrine, VPT, Syfer, Eurofarad, Texas Instruments, MS Kennedy, Miteq, Cobham, E2V, MA-COM, Hittite, Mini-Circuits, General Dynamics и др.);

Компания «Океан Электроники» является официальным дистрибьютором и эксклюзивным представителем в России одного из крупнейших производителей разъемов военного и аэрокосмического назначения «JONHON», а так же официальным дистрибьютором и эксклюзивным представителем в России производителя высокотехнологичных и надежных решений для передачи СВЧ сигналов «FORSTAR».



JONHON

«JONHON» (основан в 1970 г.)

Разъемы специального, военного и аэрокосмического назначения:

(Применяются в военной, авиационной, аэрокосмической, морской, железнодорожной, горно- и нефтедобывающей отраслях промышленности)

«FORSTAR» (основан в 1998 г.)

ВЧ соединители, коаксиальные кабели, кабельные сборки и микроволновые компоненты:

(Применяются в телекоммуникациях гражданского и специального назначения, в средствах связи, РЛС, а так же военной, авиационной и аэрокосмической отраслях промышленности).



Телефон: 8 (812) 309-75-97 (многоканальный)

Факс: 8 (812) 320-03-32

Электронная почта: ocean@oceanchips.ru

Web: <http://oceanchips.ru/>

Адрес: 198099, г. Санкт-Петербург, ул. Калинина, д. 2, корп. 4, лит. А