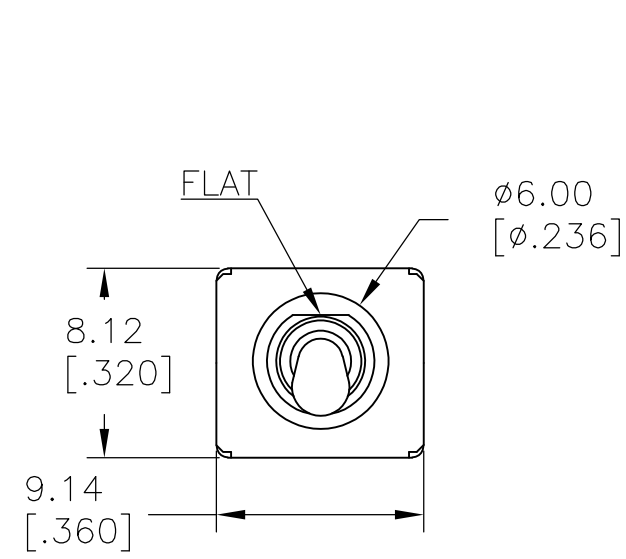
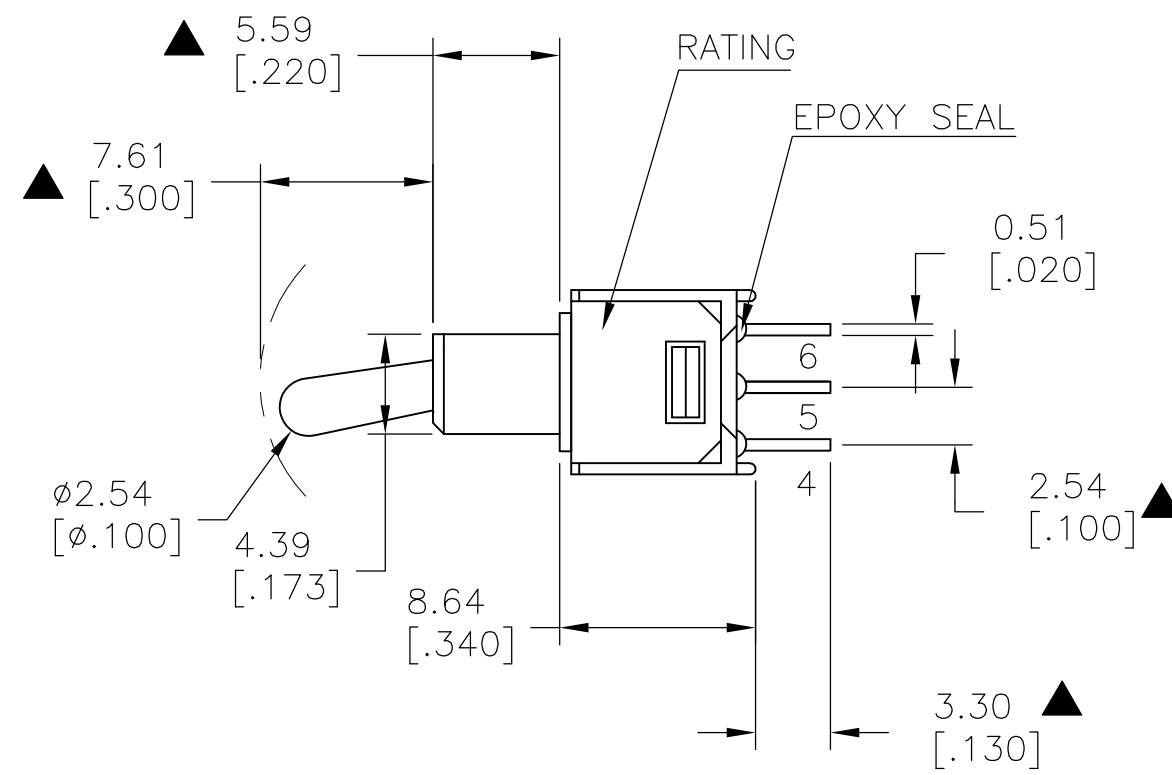


THIS DRAWING IS UNPUBLISHED. RELEASED FOR PUBLICATION
 © COPYRIGHT - By - ALL RIGHTS RESERVED.

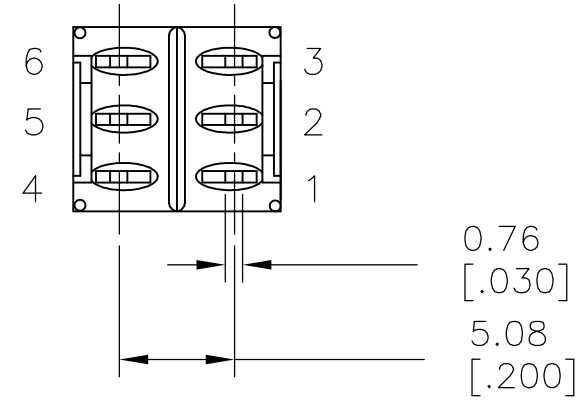
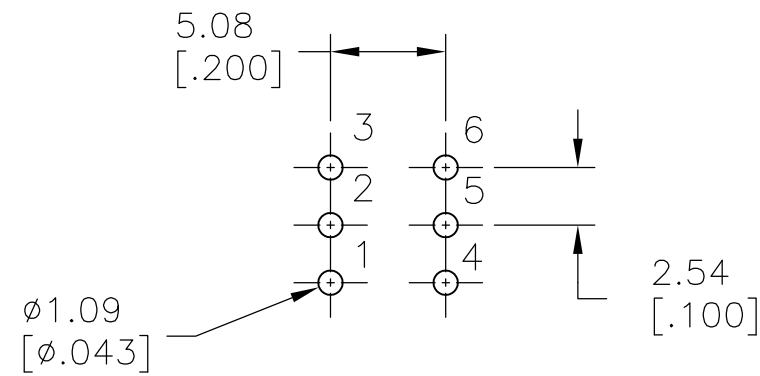
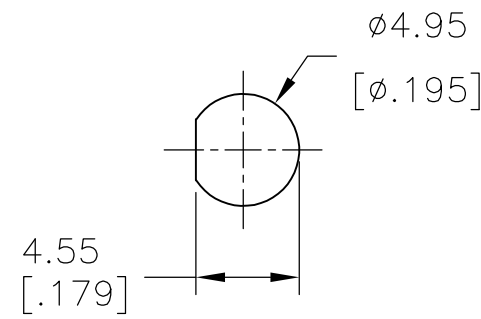
| LOC | | DIST | | REVISIONS | | | |
|-----|-----|-------------------------------|-----------|-----------|------|--|--|
| P | LTR | DESCRIPTION | DATE | DWN | APVD | | |
| | A | NEW DRAWING PER ECO-14-009318 | 11JUL2014 | NK | RH | | |



PANEL MOUNTING



P.C. MOUNTING



| MODEL NO. | POS.1 | POS.2 | POS.3 |
|-------------|---------|-------|---------|
| | | | |
| TMS | ON | NONE | ON |
| TERM. COMM. | 2-3,5-6 | N/A | 2-1,5-4 |
| SCHEMATIC | | | |

SWITCH FUNCTION

LAYOUT FOR PN 2267078-8

SPECIFICATIONS

- MECHANICAL LIFE: 30,000 MAKE-AND-BREAK CYCLES.
- CONTACT RESISTANCE: 20 mΩ MAX. INITIAL @ 2-4VDC
100mA FOR BOTH SILVER AND GOLD PLATED CONTACTS.
- CONTACT RATING: GOLD PLATED: 0.4VA MAX @ 20 V MAX (AC OR DC)
- INSULATION RESISTANCE: 1,000 MΩ MIN.
- DIELECTRIC STRENGTH: 1,000 Vrms MIN.@SEA LEVEL.
- OPERATING TEMPERATURE: -30°C TO 85°C.

| CONTACT MATERIAL | FUNCTION | TERMINATION | MOUNT ANGLE | POLES | THROWS | DESCRIPTIVE PN | TE PN |
|------------------|-----------|-----------------|-------------------------|-------|--------|----------------|-----------|
| GOLD | ON-ON | PC THROUGH HOLE | RIGHT ANGLE | 2 | 2 | TMD1T5B2M6RE | 2267078-9 |
| GOLD | ON-ON | PC THROUGH HOLE | VERTICAL | 2 | 2 | TMD1T5B2M2RE | 2267078-8 |
| GOLD | ON-OFF-ON | PC THROUGH HOLE | VERTICAL RIGHT ANGLE | 1 | 2 | TMS3T5B2M7RE | 2267078-7 |
| GOLD | ON-OFF-ON | PC THROUGH HOLE | RIGHT ANGLE | 1 | 2 | TMS3T5B2M6RE | 2267078-6 |
| GOLD | ON-OFF-ON | PC THROUGH HOLE | VERTICAL | 1 | 2 | TMS3T5B2M2RE | 2267078-5 |
| GOLD | ON-ON | PC THROUGH HOLE | VERTICAL RIGHT ANGLE | 1 | 2 | TMS1T5B2M7RE | 2267078-4 |
| GOLD | ON-ON | PC THROUGH HOLE | RIGHT ANGLE | 1 | 2 | TMS1T5B2M6RE | 2267078-3 |
| GOLD | ON-ON | PC THROUGH HOLE | VERTICAL | 1 | 2 | TMS1T5B2M2RE | 2267078-2 |
| GOLD | OFF-ON | PC THROUGH HOLE | VERTICAL | 1 | 2 | TMS6T5B2M2RE | 2267078-1 |

THIS DRAWING IS A CONTROLLED DOCUMENT.

| | | |
|------------------|-----------|---------------|
| DWN | 11JUL2014 | NAGALAKSHMI K |
| CHK | 11JUL2014 | HILL, RYAN |
| APVD | 11JUL2014 | HILL, RYAN |
| PRODUCT SPEC | | |
| APPLICATION SPEC | | |
| WEIGHT | - | |
| CUSTOMER DRAWING | | |

TE Connectivity
 SUBMINIATURE TOGGLE SWITCH

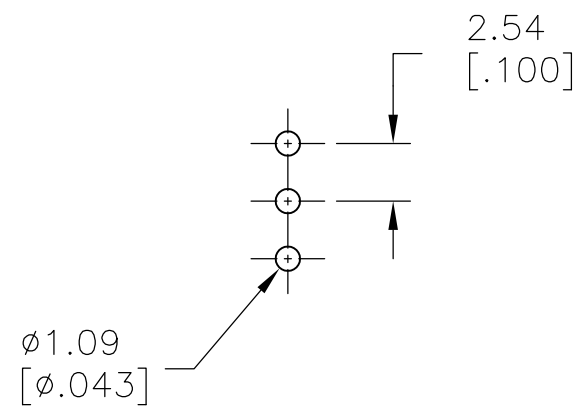
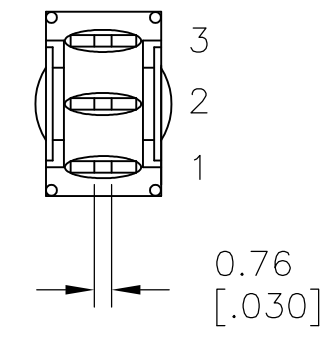
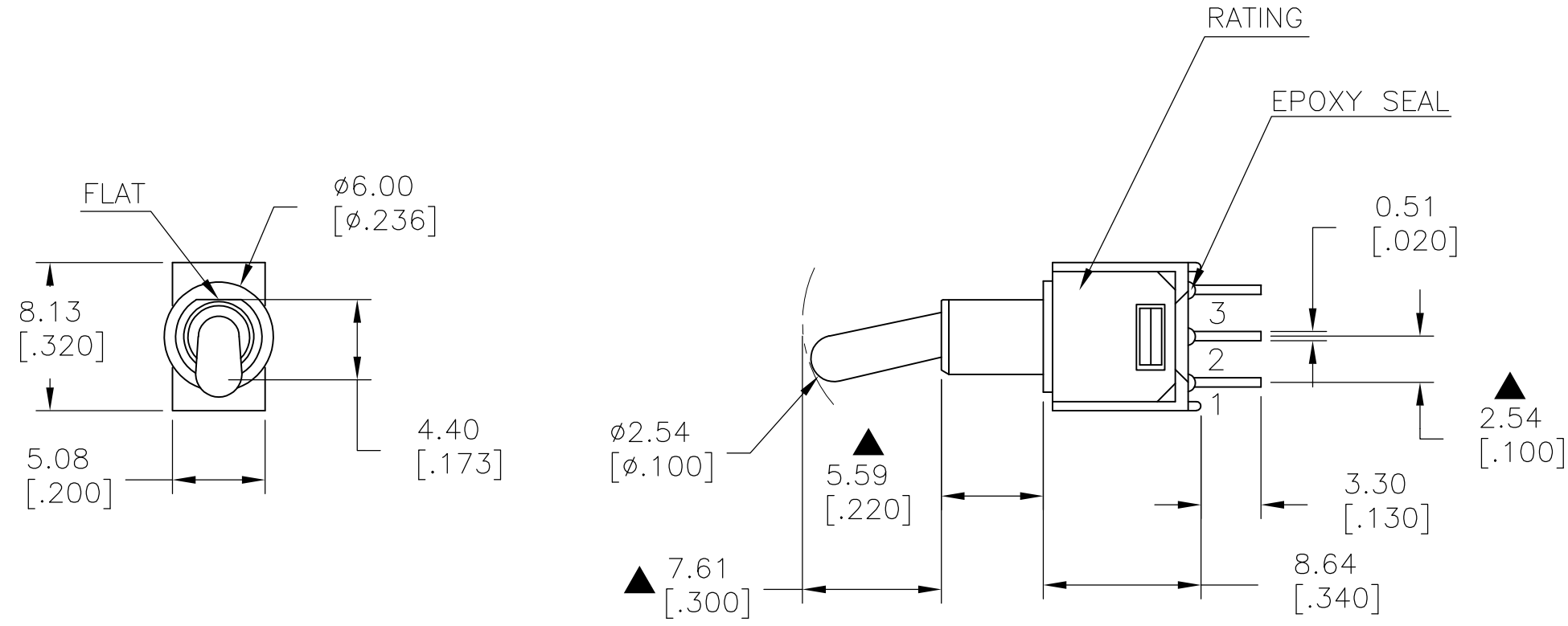
| | | | | | | | |
|-------|-----|-----------|--------|------------|-----------|---------------|---|
| SIZE | A2 | CAGE CODE | 00779 | DRAWING NO | C=2267078 | RESTRICTED TO | - |
| SCALE | 3:1 | SHEET | 1 of 9 | REV | A | | |

THIS DRAWING IS UNPUBLISHED. RELEASED FOR PUBLICATION
 © COPYRIGHT - By - ALL RIGHTS RESERVED.

| LOC | | DIST | | REVISIONS | | | |
|-----|-----|-------------|------|-----------|------|--|--|
| P | LTR | DESCRIPTION | DATE | DWN | APVD | | |
| - | - | SEE SHEET 1 | - | - | - | | |

| MODEL NO. | POS.1 | POS.2 | POS.3 |
|-------------|-------|-------|-------|
| TMS | ON | NONE | ON |
| TERM. COMM. | 2-3 | OPEN | 2-1 |
| SCHEMATIC | | | |

SWITCH FUNCTION



P.C. MOUNTING

LAYOUT FOR PN 2267078-2

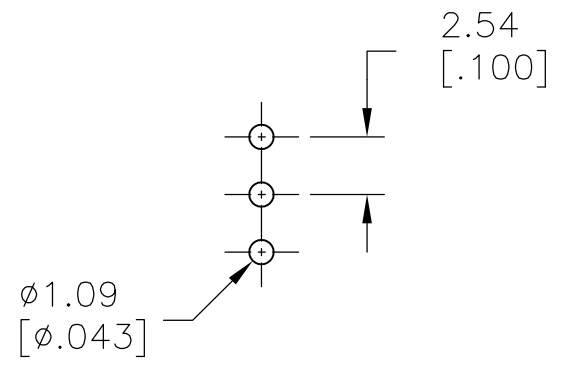
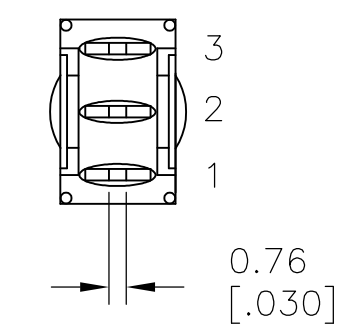
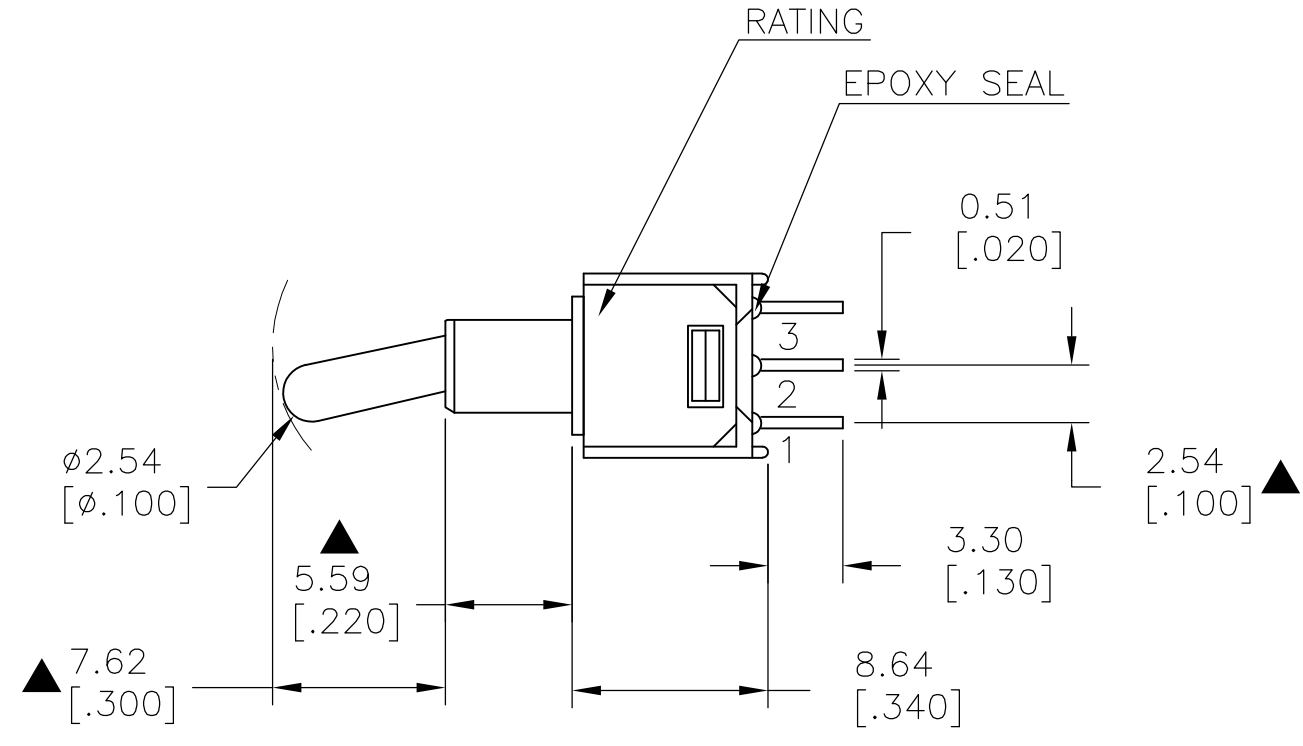
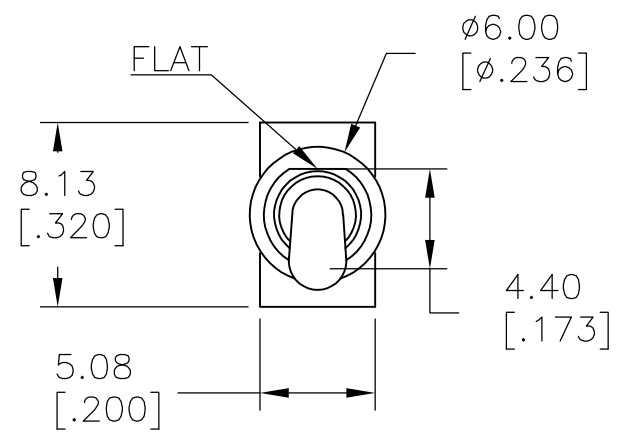
| | | | | |
|--|--|--------------------------------|----------------------------|--------------|
| THIS DRAWING IS A CONTROLLED DOCUMENT. | | DWN 11JUL2014 NAGALAKSHMI K | TE Connectivity | |
| DIMENSIONS: mm [INCHES] | | CHK 11JUL2014 HILL, RYAN | | |
| TOLERANCES UNLESS OTHERWISE SPECIFIED: | | APVD 11JUL2014 HILL, RYAN | NAME | |
| 0 PLC ± - | | PRODUCT SPEC | SUBMINIATURE TOGGLE SWITCH | |
| 1 PLC ± 0.38[.015] | | APPLICATION SPEC | SIZE | CAGE CODE |
| 2 PLC ± 0.25[.010] | | WEIGHT | A2 | 00779 |
| 3 PLC ± - | | CUSTOMER DRAWING | DRAWING NO. C=2267078 | |
| 4 PLC ± - | | SCALE | 3:1 | SHEET 2 of 9 |
| ANGLES ± 5° | | REV | A | |
| FINISH | | RESTRICTED TO | | |

THIS DRAWING IS UNPUBLISHED. RELEASED FOR PUBLICATION
 © COPYRIGHT - By - ALL RIGHTS RESERVED.

| LOC | | DIST | | REVISIONS | | | |
|-----|-----|-------------|------|-----------|------|--|--|
| P | LTR | DESCRIPTION | DATE | DWN | APVD | | |
| - | - | SEE SHEET 1 | - | - | - | | |

| MODEL NO. | POS.1 | POS.2 | POS.3 |
|-------------|-------|-------|-------|
| TMS | ON | OFF | ON |
| TERM. COMM. | 2-3 | OPEN | 2-1 |
| SCHEMATIC | | | |

SWITCH FUNCTION



P.C. MOUNTING

LAYOUT FOR PN 2267078-5

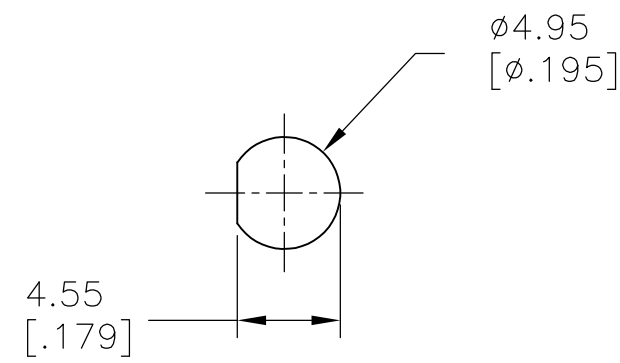
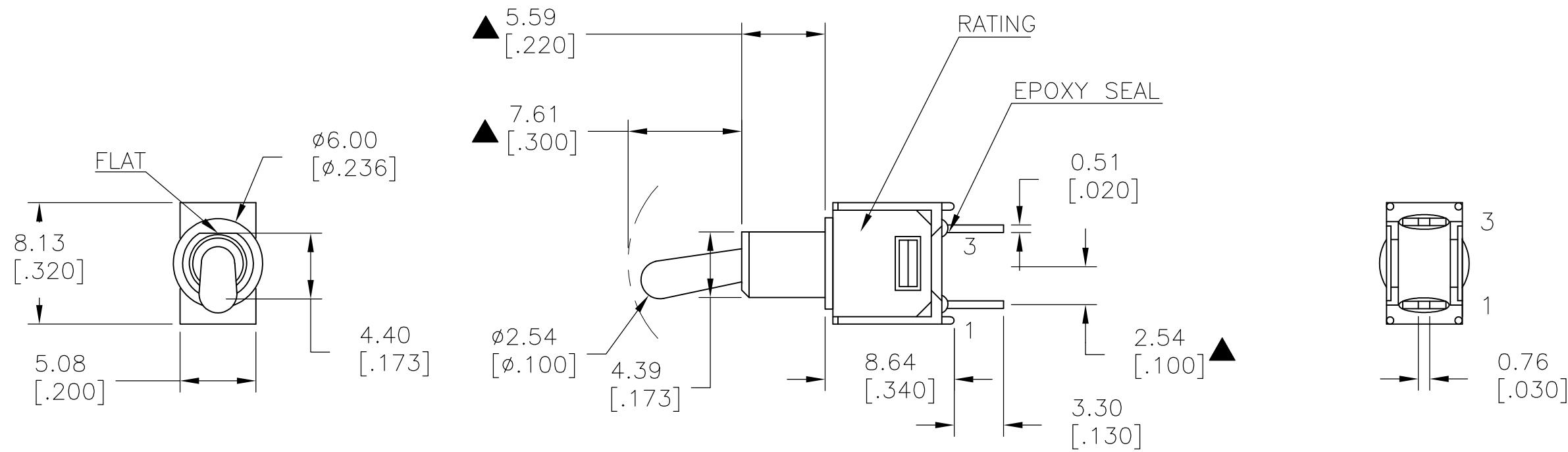
| | | | | |
|--|--|--------------------------------|----------------------------|---------------|
| THIS DRAWING IS A CONTROLLED DOCUMENT. | | DWN 11JUL2014 NAGALAKSHMI K | | |
| DIMENSIONS: mm [INCHES] | | CHK 11JUL2014 HILL, RYAN | | |
| TOLERANCES UNLESS OTHERWISE SPECIFIED: | | APVD 11JUL2014 HILL, RYAN | NAME | |
| 0 PLC ± - 1 PLC ± 0.38[.015] 2 PLC ± 0.25[.010] 3 PLC ± - 4 PLC ± - ANGLES ± 5° | | PRODUCT SPEC | SUBMINIATURE TOGGLE SWITCH | |
| MATERIAL | | APPLICATION SPEC | SIZE | CAGE CODE |
| FINISH | | WEIGHT | A2 | 00779 |
| | | CUSTOMER DRAWING | DRAWING NO | RESTRICTED TO |
| | | SCALE 3:1 | C=2267078 | - |
| | | SHEET 3 of 9 | REV A | |

THIS DRAWING IS UNPUBLISHED. RELEASED FOR PUBLICATION
 © COPYRIGHT - By - ALL RIGHTS RESERVED.

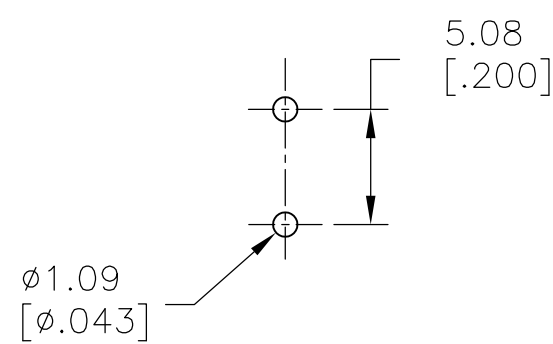
| LOC | | DIST | | REVISIONS | | | |
|-----|-----|-------------|------|-----------|------|--|--|
| P | LTR | DESCRIPTION | DATE | DWN | APVD | | |
| - | - | SEE SHEET 1 | - | - | - | | |

| MODEL NO. | POS.1 | POS.2 | POS.3 |
|-------------|-------|-------|-------|
| | | | |
| TMS | OFF | NONE | ON |
| TERM. COMM. | OPEN | N/A | 3-1 |
| SCHEMATIC | | | |

SWITCH FUNCTION



PANEL MOUNTING



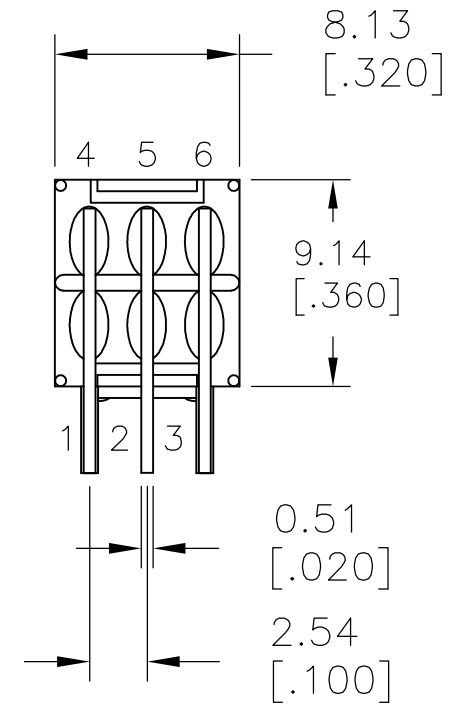
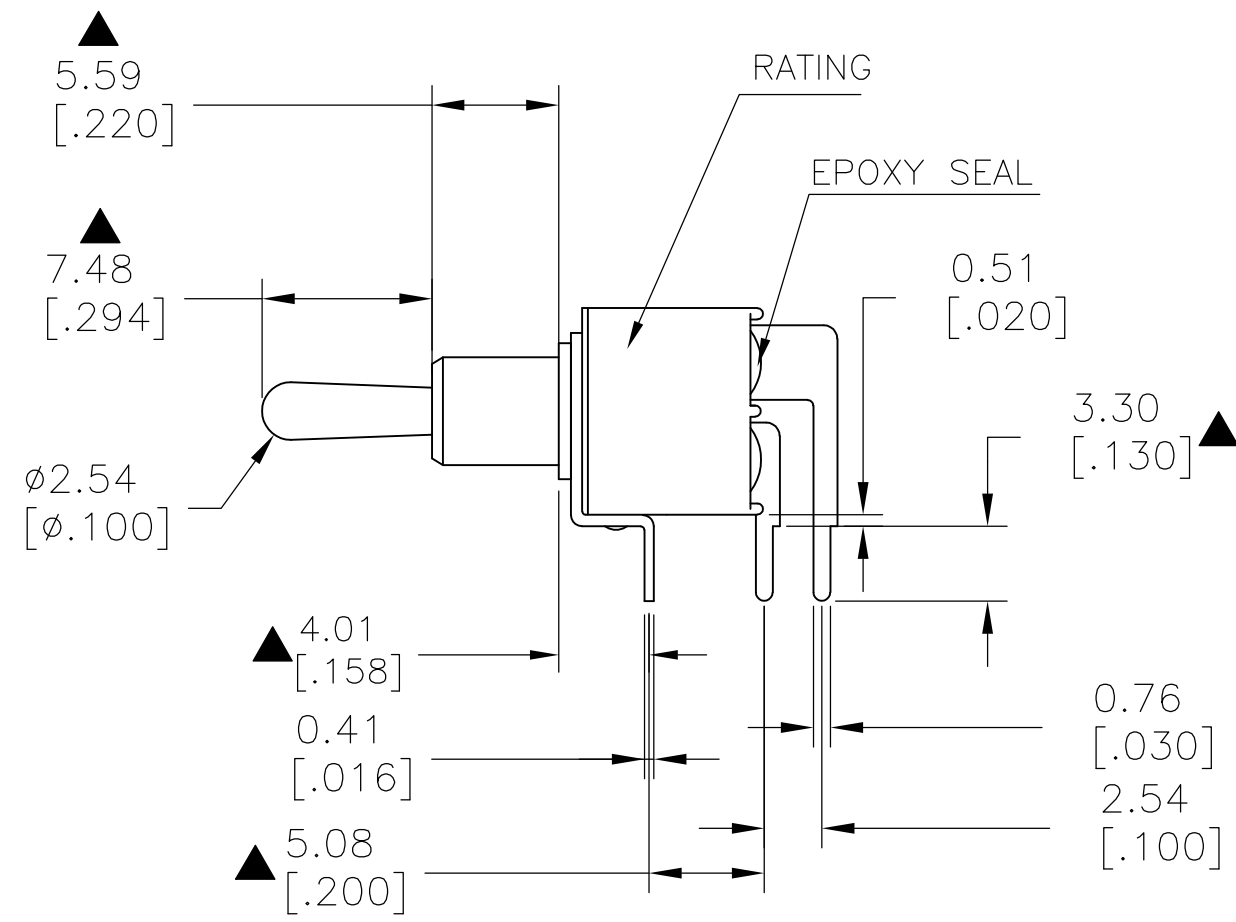
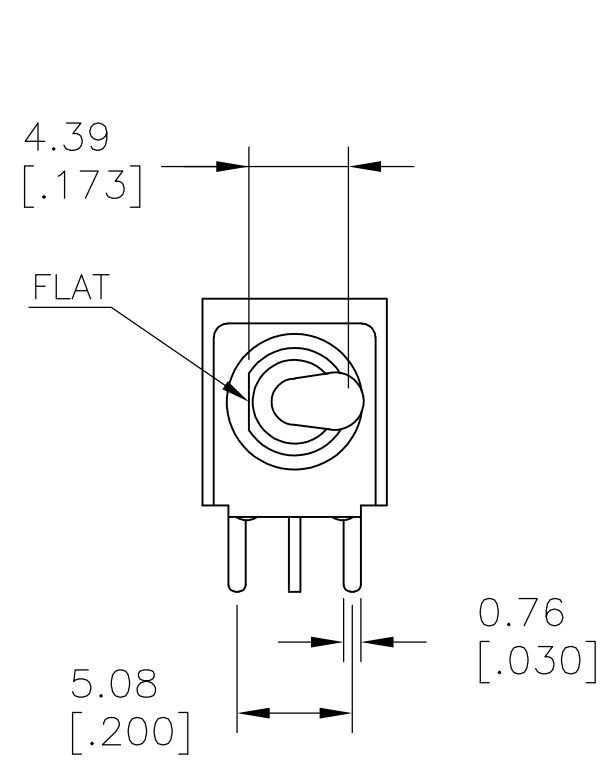
P.C. MOUNTING

LAYOUT FOR PN 2267078-1

| | | | | |
|--|--|--------------------------------|----------------------------|---------------|
| THIS DRAWING IS A CONTROLLED DOCUMENT. | | DWN 11JUL2014 NAGALAKSHMI K | TE Connectivity | |
| DIMENSIONS: mm [INCHES] | | CHK 11JUL2014 HILL, RYAN | | |
| TOLERANCES UNLESS OTHERWISE SPECIFIED: | | APVD 11JUL2014 HILL, RYAN | NAME | |
| 0 PLC ± - | | PRODUCT SPEC | SUBMINIATURE TOGGLE SWITCH | |
| 1 PLC ± 0.38 [.015] | | APPLICATION SPEC | SIZE | CAGE CODE |
| 2 PLC ± 0.25 [.010] | | WEIGHT | A2 | 00779 |
| 3 PLC ± - | | CUSTOMER DRAWING | SCALE | DRAWING NO |
| 4 PLC ± - | | | 3:1 | C=2267078 |
| ANGLES ± 5° | | | SHEET | RESTRICTED TO |
| FINISH | | | 4 OF 9 | - |
| | | | REV | A |

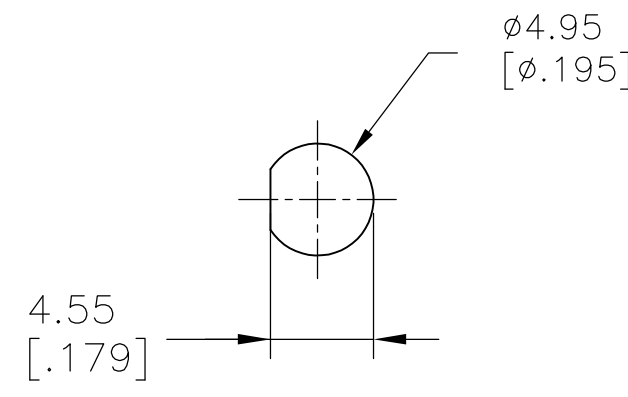
THIS DRAWING IS UNPUBLISHED. RELEASED FOR PUBLICATION
 © COPYRIGHT - By - ALL RIGHTS RESERVED.

| LOC | | DIST | | REVISIONS | | | |
|-----|-----|-------------|------|-----------|------|--|--|
| P | LTR | DESCRIPTION | DATE | DWN | APVD | | |
| - | - | SEE SHEET 1 | - | - | - | | |

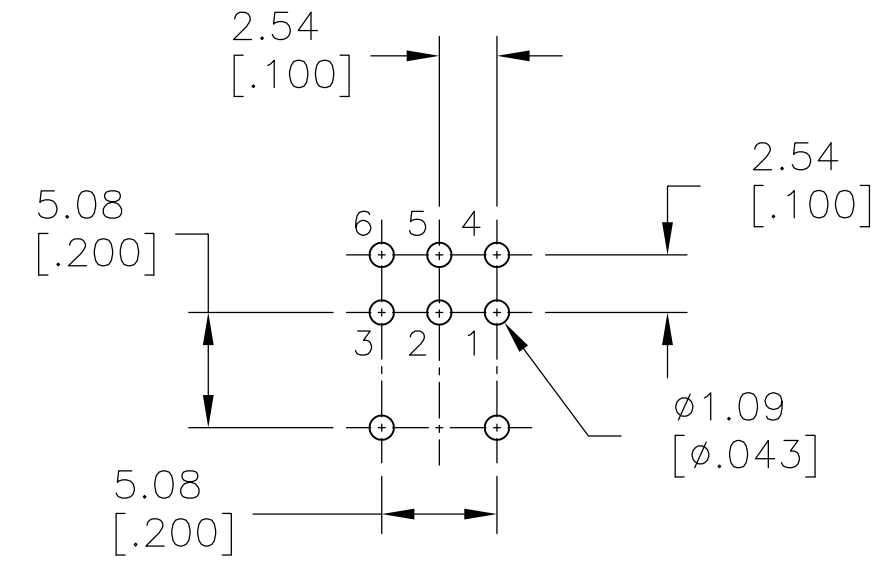


| MODEL NO. | POS.1 | POS.2 | POS.3 |
|-------------|---------|-------|---------|
| | | | |
| TMS | ON | NONE | ON |
| TERM. COMM. | 2-3,5-6 | N/A | 2-1,5-4 |
| SCHEMATIC | | | |

SWITCH FUNCTION



PANEL MOUNTING



P.C. MOUNTING

LAYOUT FOR PN 2267078-9

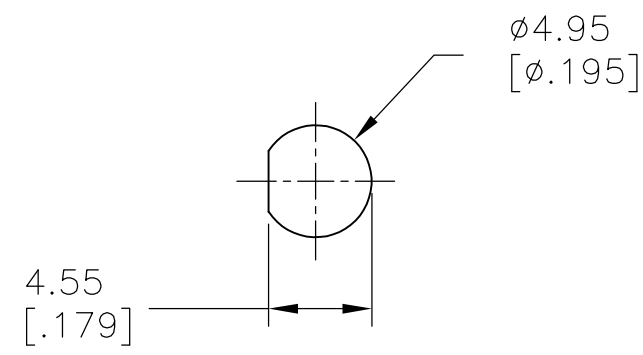
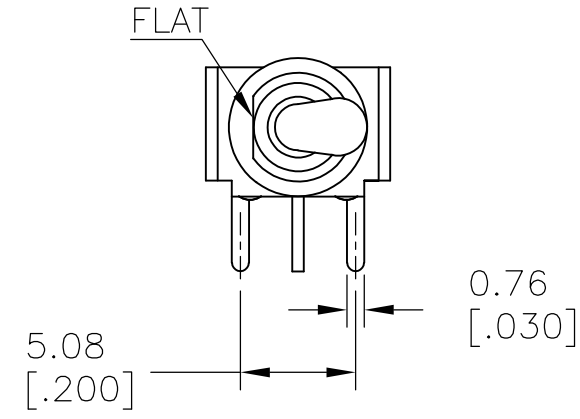
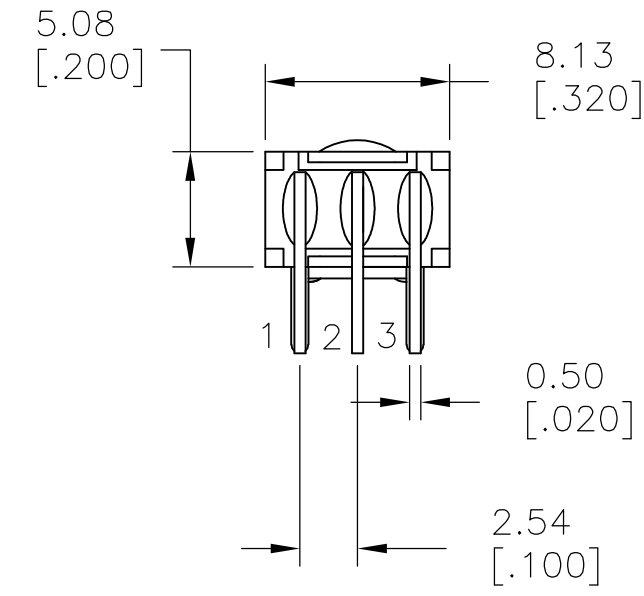
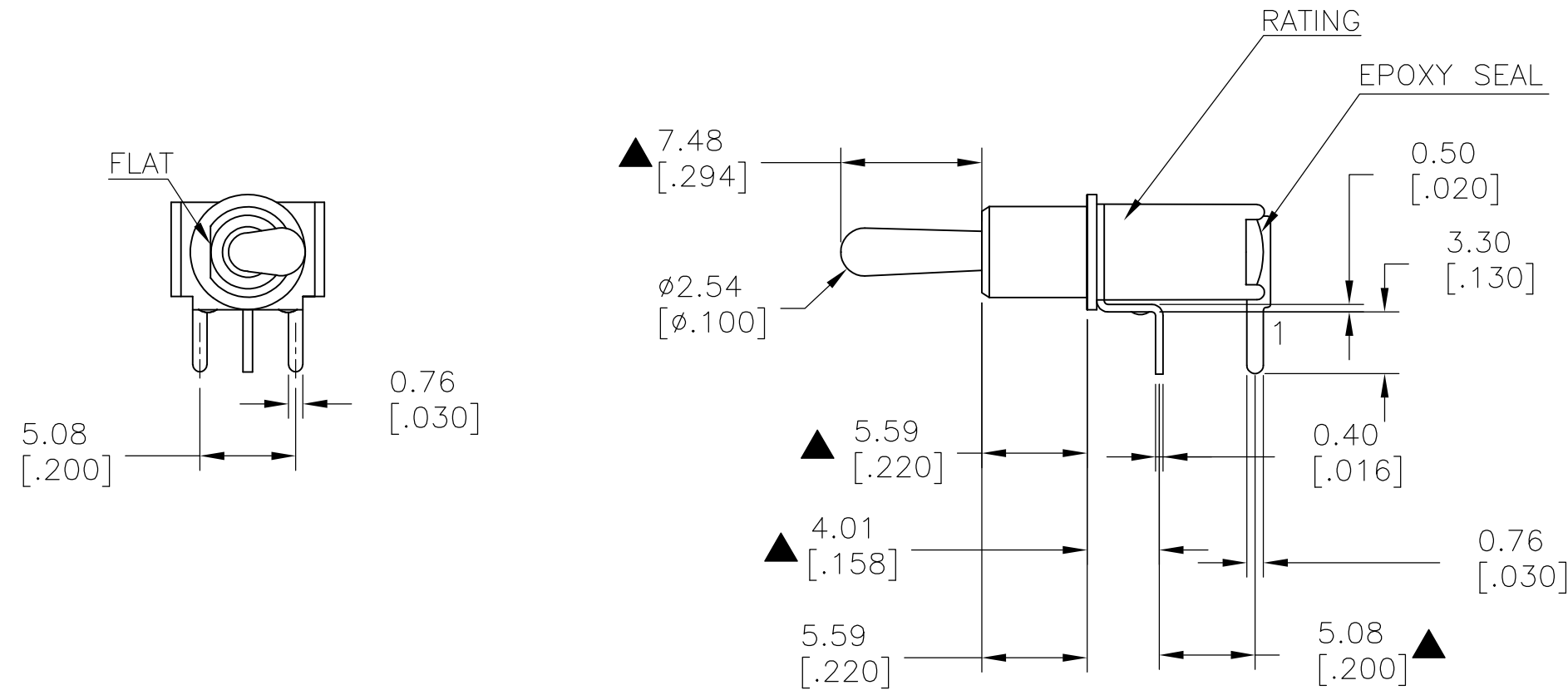
| | | | | |
|--|--|--------------------------------|----------------------------|---------------|
| THIS DRAWING IS A CONTROLLED DOCUMENT. | | DWN 11JUL2014 NAGALAKSHMI K | | |
| DIMENSIONS: mm [INCHES] | | CHK 11JUL2014 HILL, RYAN | | |
| TOLERANCES UNLESS OTHERWISE SPECIFIED: | | APVD 11JUL2014 HILL, RYAN | NAME | |
| 0 PLC ± - | | PRODUCT SPEC | SUBMINIATURE TOGGLE SWITCH | |
| 1 PLC ± 0.38[.015] | | APPLICATION SPEC | SIZE | CAGE CODE |
| 2 PLC ± 0.25[.010] | | WEIGHT | A2 | 00779 |
| 3 PLC ± - | | CUSTOMER DRAWING | DRAWING NO | RESTRICTED TO |
| 4 PLC ± - | | SCALE | C=2267078 | - |
| 4 PLC ANGLES ± 5° | | SHEET | 3:1 | 5 of 9 |
| MATERIAL | | REV | A | |

THIS DRAWING IS UNPUBLISHED. RELEASED FOR PUBLICATION
 © COPYRIGHT - By - ALL RIGHTS RESERVED.

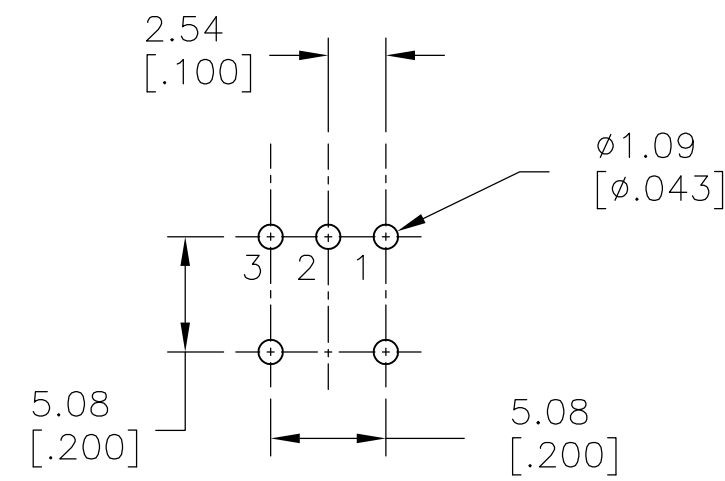
| LOC | | DIST | | REVISIONS | | | |
|-----|-----|-------------|--|-----------|-----|------|--|
| P | LTR | DESCRIPTION | | DATE | DWN | APVD | |
| - | - | SEE SHEET 1 | | - | - | - | |

| MODEL NO. | POS.1 | POS.2 | POS.3 |
|-------------|-------|-------|-------|
| | | | |
| TMS | ON | NONE | ON |
| TERM. COMM. | 2-3 | N/A | 2-1 |
| SCHEMATIC | | | |

SWITCH FUNCTION



PANEL MOUNTING



P.C. MOUNTING

LAYOUT FOR PN 2267078-3

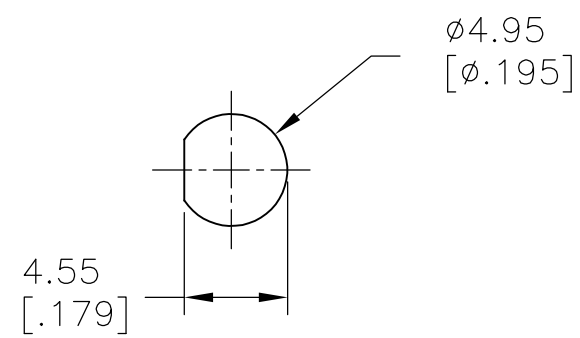
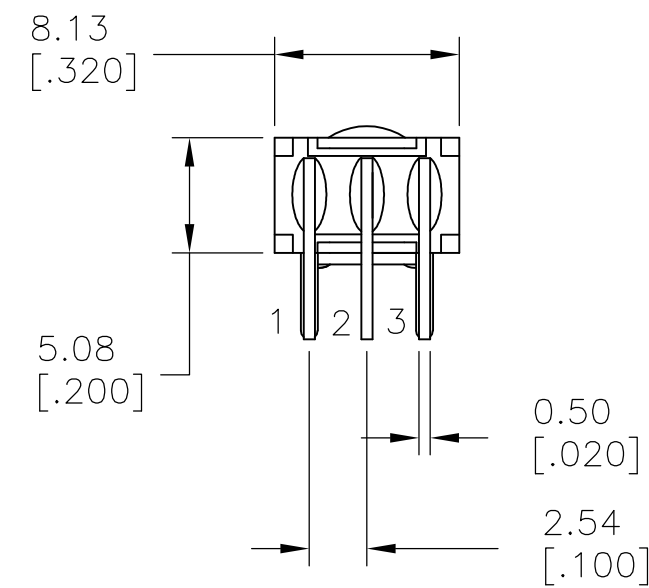
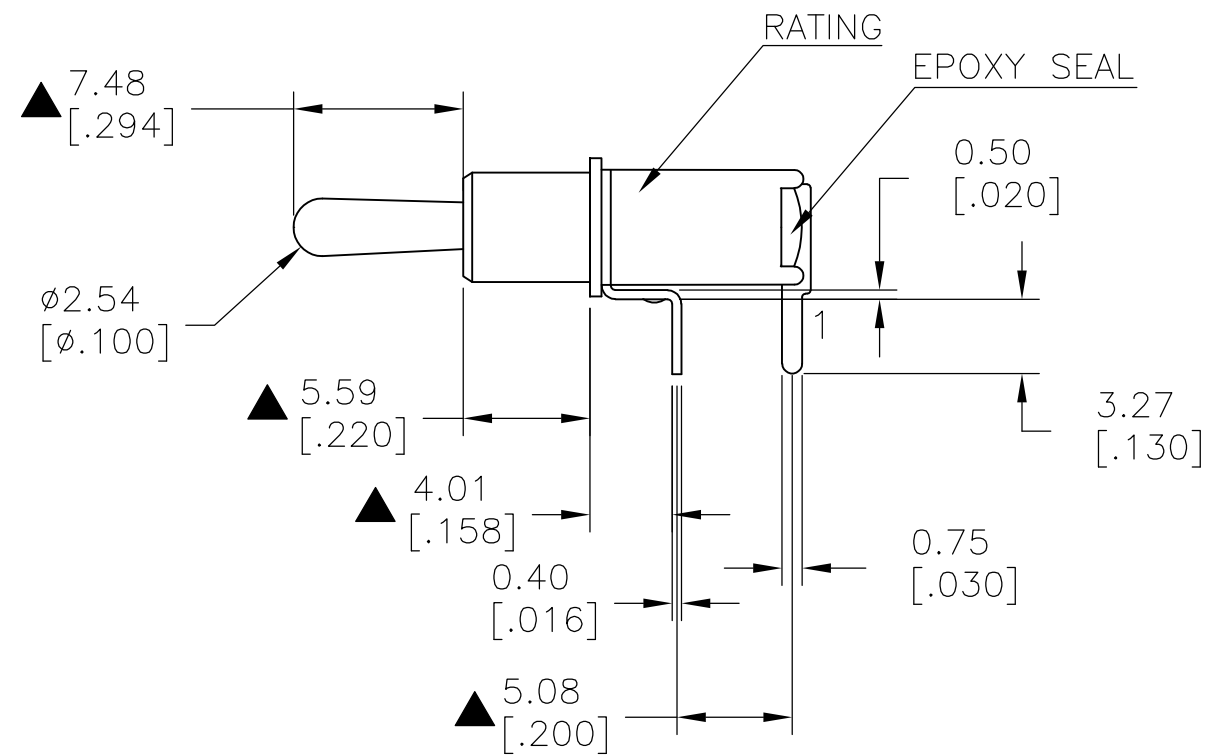
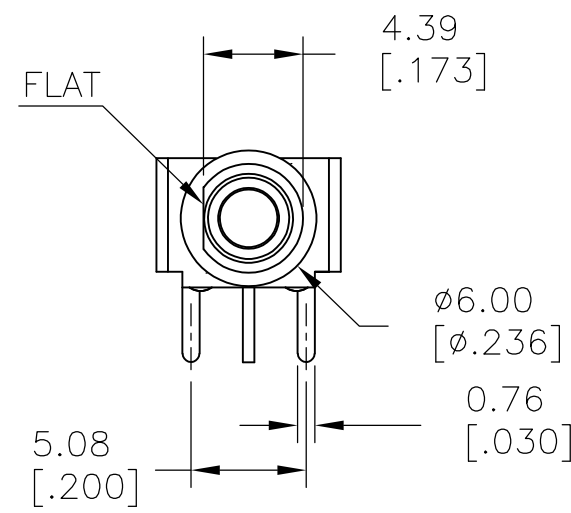
| | | | | | |
|--|--|--|--------------|----------------------------|--|
| THIS DRAWING IS A CONTROLLED DOCUMENT. | | DWN | 11JUL2014 | TE Connectivity | |
| | | CHK | 11JUL2014 | | |
| | | APVD | 11JUL2014 | | |
| | | PRODUCT SPEC | | | |
| DIMENSIONS: mm [INCHES] | | TOLERANCES UNLESS OTHERWISE SPECIFIED: | | NAME | |
| | | 0 PLC | ± - | SUBMINIATURE TOGGLE SWITCH | |
| | | 1 PLC | ± 0.38[.015] | SIZE | |
| | | 2 PLC | ± 0.25[.010] | CAGE CODE | |
| | | 3 PLC | ± - | DRAWING NO | |
| | | 4 PLC | ± - | RESTRICTED TO | |
| | | ANGLES | ± 5° | A2 00779 C=2267078 | |
| MATERIAL | | FINISH | | SCALE | |
| | | | | 3:1 | |
| | | | | SHEET | |
| | | | | 6 of 9 | |
| | | | | REV | |
| | | | | A | |
| | | | | CUSTOMER DRAWING | |

THIS DRAWING IS UNPUBLISHED. RELEASED FOR PUBLICATION
 © COPYRIGHT - By - ALL RIGHTS RESERVED.

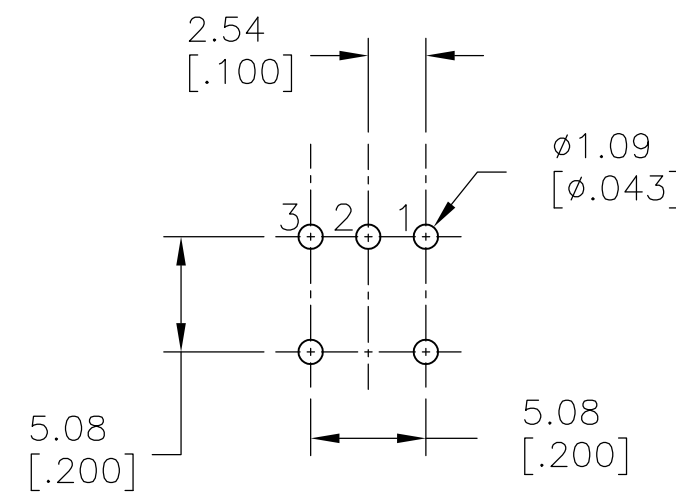
| LOC | | DIST | | REVISIONS | | | |
|-----|-----|-------------|------|-----------|------|--|--|
| P | LTR | DESCRIPTION | DATE | DWN | APVD | | |
| - | - | SEE SHEET 1 | - | - | - | | |

| MODEL NO. | POS.1 | POS.2 | POS.3 |
|-------------|-------|-------|-------|
| | | | |
| TMS | ON | NONE | ON |
| TERM. COMM. | 2-3 | N/A | 2-1 |
| SCHEMATIC | | | |

SWITCH FUNCTION



PANEL MOUNTING



P.C. MOUNTING

LAYOUT FOR PN 2267078-6

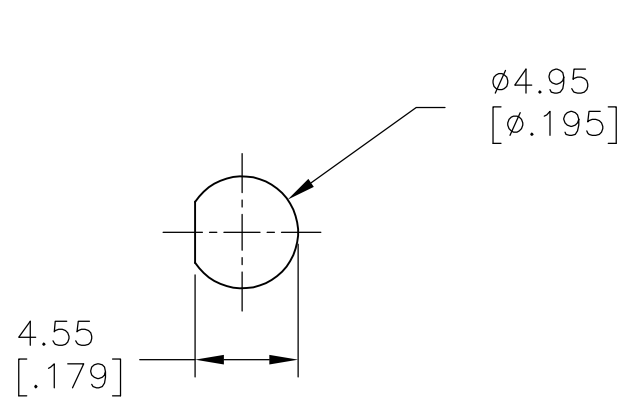
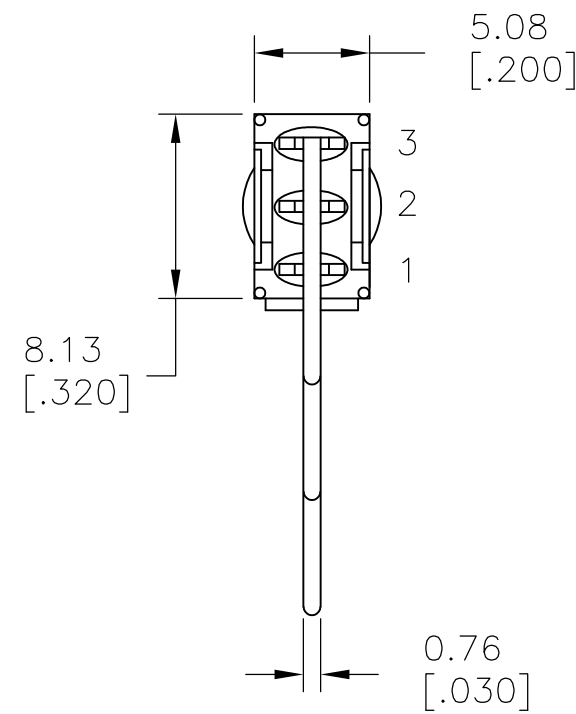
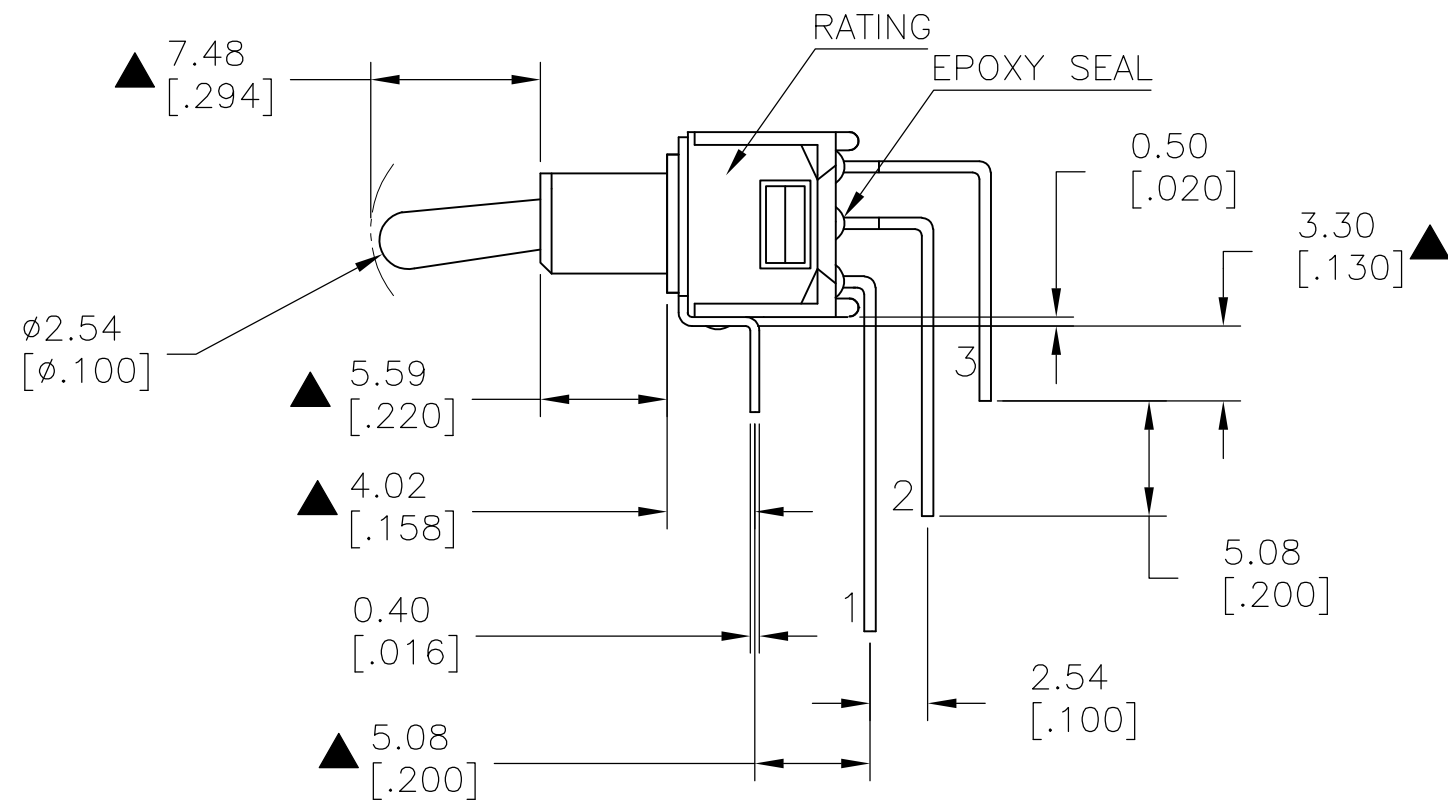
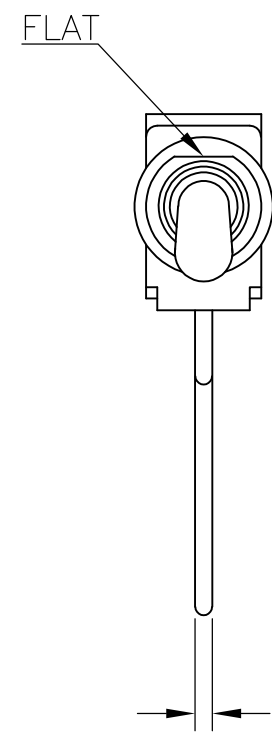
| | | | | |
|--|--|--------------------------------|----------------------------|---------------|
| THIS DRAWING IS A CONTROLLED DOCUMENT. | | DWN 11JUL2014 NAGALAKSHMI K | | |
| DIMENSIONS: mm [INCHES] | | CHK 11JUL2014 HILL, RYAN | | |
| TOLERANCES UNLESS OTHERWISE SPECIFIED: | | APVD 11JUL2014 HILL, RYAN | NAME | |
| 0 PLC ± - | | PRODUCT SPEC | SUBMINIATURE TOGGLE SWITCH | |
| 1 PLC ± 0.38[.015] | | APPLICATION SPEC | SIZE | CAGE CODE |
| 2 PLC ± 0.25[.010] | | WEIGHT | A2 | 00779 |
| 3 PLC ± - | | CUSTOMER DRAWING | SCALE | DRAWING NO |
| 4 PLC ± - | | | 3:1 | C=2267078 |
| ANGLES ± 5° | | | SHEET | RESTRICTED TO |
| FINISH | | | 7 of 9 | - |
| MATERIAL | | | REV | A |

THIS DRAWING IS UNPUBLISHED. RELEASED FOR PUBLICATION
 © COPYRIGHT - By - ALL RIGHTS RESERVED.

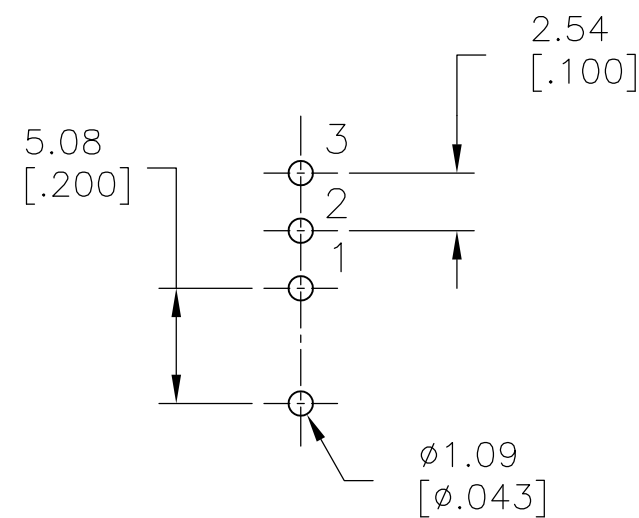
| LOC | | DIST | | REVISIONS | | | |
|-----|-----|-------------|------|-----------|------|--|--|
| P | LTR | DESCRIPTION | DATE | DWN | APVD | | |
| - | - | SEE SHEET 1 | - | - | - | | |

| MODEL NO. | POS.1 | POS.2 | POS.3 |
|-------------|-------|-------|-------|
| | | | |
| TMD | ON | NONE | ON |
| TERM. COMM. | 2-3 | N/A | 2-1 |
| SCHEMATIC | | | |

SWITCH FUNCTION



PANEL MOUNTING



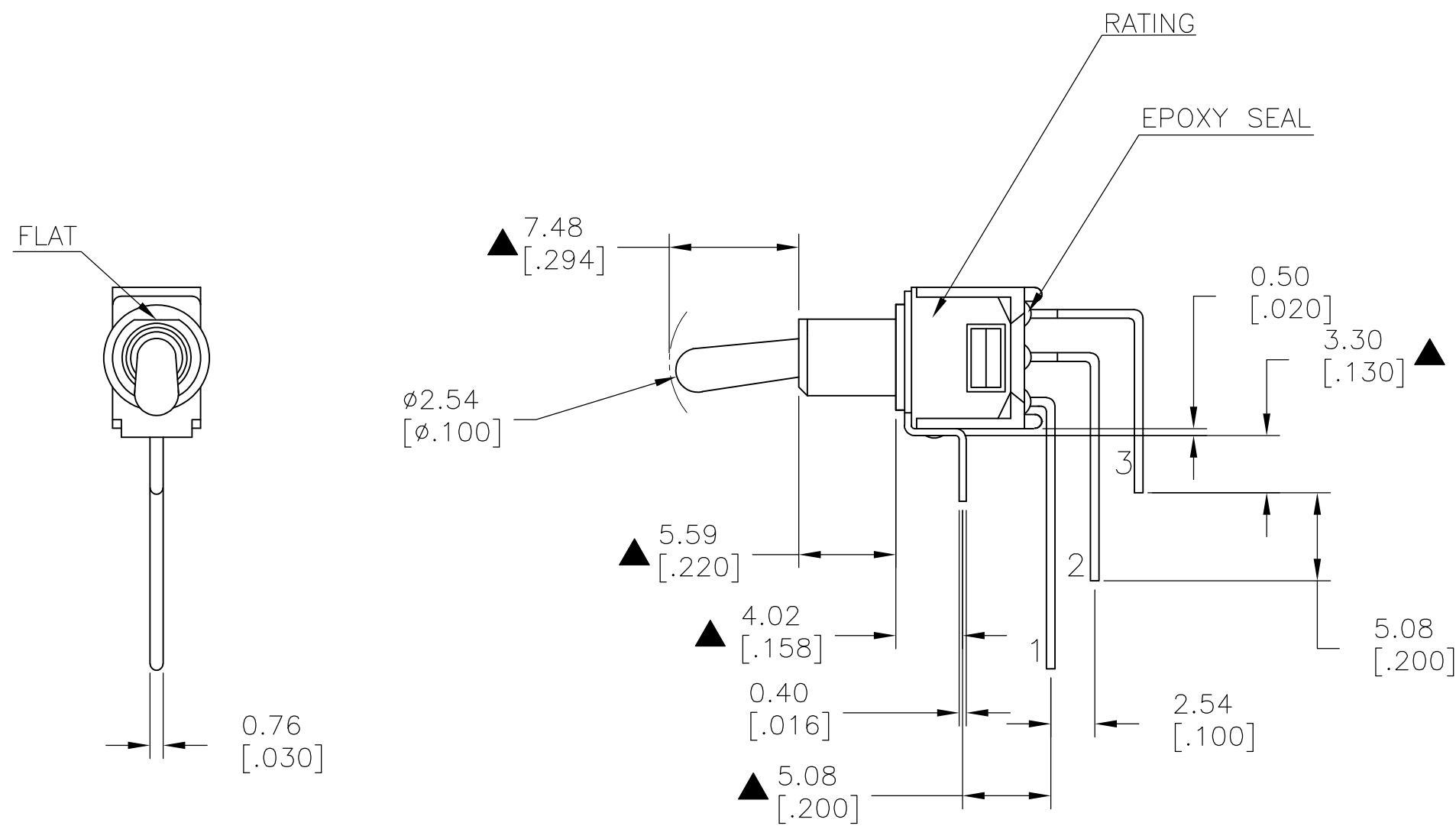
P.C. MOUNTING

LAYOUT FOR PN 2267078-4

| | | | | |
|--|--|--------------------------------|----------------------------|---------------|
| THIS DRAWING IS A CONTROLLED DOCUMENT. | | DWN 11JUL2014 NAGALAKSHMI K | | |
| DIMENSIONS: mm [INCHES] | | CHK 11JUL2014 HILL, RYAN | | |
| TOLERANCES UNLESS OTHERWISE SPECIFIED: | | APVD 11JUL2014 HILL, RYAN | NAME | |
| 0 PLC ± - | | PRODUCT SPEC | SUBMINIATURE TOGGLE SWITCH | |
| 1 PLC ± 0.38[.015] | | APPLICATION SPEC | SIZE | CAGE CODE |
| 2 PLC ± 0.25[.010] | | WEIGHT | A2 | 00779 |
| 3 PLC ± - | | CUSTOMER DRAWING | DRAWING NO | RESTRICTED TO |
| 4 PLC ± - | | SCALE | C=2267078 | - |
| ANGLES ± 5° | | SHEET | 8 of 9 | REV |
| FINISH | | REV | A | |

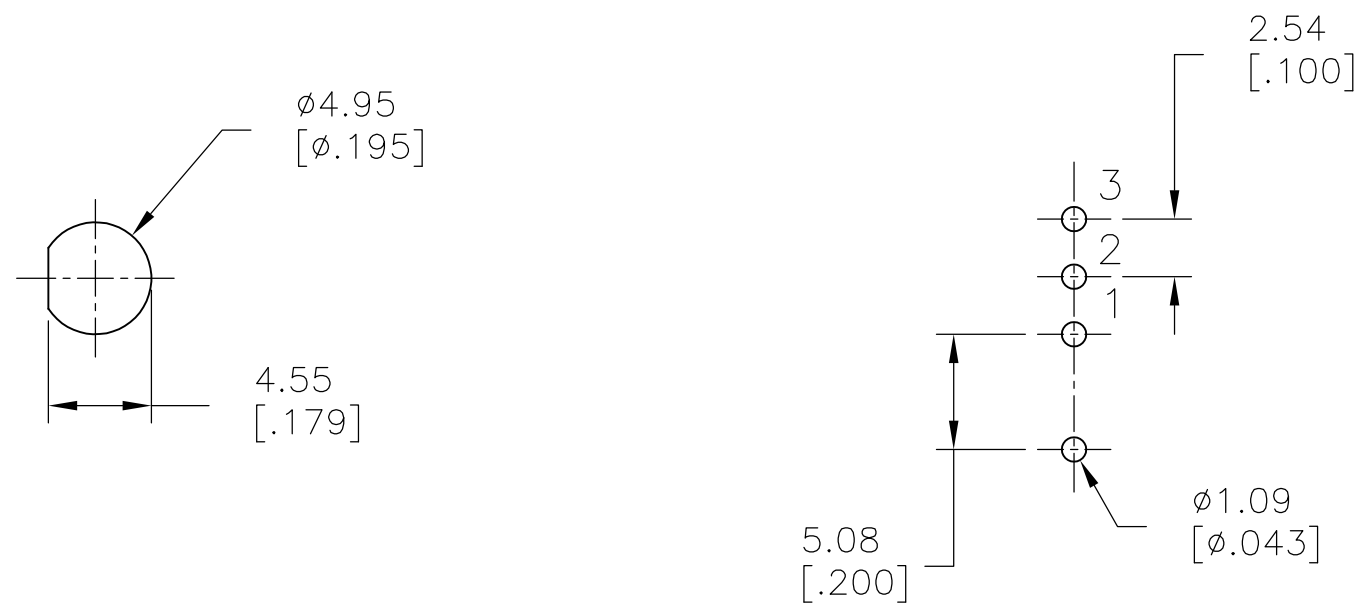
THIS DRAWING IS UNPUBLISHED. RELEASED FOR PUBLICATION
 © COPYRIGHT - By - ALL RIGHTS RESERVED.

| LOC | | DIST | | REVISIONS | | | |
|-----|-----|-------------|------|-----------|------|--|--|
| P | LTR | DESCRIPTION | DATE | DWN | APVD | | |
| - | - | SEE SHEET 1 | - | - | - | | |



| MODEL NO. | POS.1 | POS.2 | POS.3 |
|-------------|-------|-------|-------|
| | | | |
| TMD | ON | OFF | ON |
| TERM. COMM. | 2-3 | OPEN | 2-1 |
| SCHMATIC | | OPEN | |

SWITCH FUNCTION



PANEL MOUNTING

P.C. MOUNTING

LAYOUT FOR PN 2267078-7

| | | | | |
|--|--|--------------------------------|----------------------------|---------------|
| THIS DRAWING IS A CONTROLLED DOCUMENT. | | DWN 11JUL2014 NAGALAKSHMI K | TE Connectivity | |
| DIMENSIONS: mm [INCHES] | | CHK 11JUL2014 HILL, RYAN | | |
| TOLERANCES UNLESS OTHERWISE SPECIFIED: | | APVD 11JUL2014 HILL, RYAN | NAME | |
| 0 PLC ± - | | PRODUCT SPEC | SUBMINIATURE TOGGLE SWITCH | |
| 1 PLC ± 0.38[.015] | | APPLICATION SPEC | SIZE | CAGE CODE |
| 2 PLC ± 0.25[.010] | | WEIGHT | A2 | 00779 |
| 3 PLC ± - | | CUSTOMER DRAWING | SCALE | DRAWING NO |
| 4 PLC ± - | | FINISH | 3:1 | C=2267078 |
| ANGLES ± 5° | | MATERIAL | SHEET | RESTRICTED TO |
| MATERIAL | | SCALE | 9 of 9 | REV |
| FINISH | | REV | A | |

Компания «Океан Электроники» предлагает заключение долгосрочных отношений при поставках импортных электронных компонентов на взаимовыгодных условиях!

Наши преимущества:

- Поставка оригинальных импортных электронных компонентов напрямую с производств Америки, Европы и Азии, а так же с крупнейших складов мира;
- Широкая линейка поставок активных и пассивных импортных электронных компонентов (более 30 млн. наименований);
- Поставка сложных, дефицитных, либо снятых с производства позиций;
- Оперативные сроки поставки под заказ (от 5 рабочих дней);
- Экспресс доставка в любую точку России;
- Помощь Конструкторского Отдела и консультации квалифицированных инженеров;
- Техническая поддержка проекта, помощь в подборе аналогов, поставка прототипов;
- Поставка электронных компонентов под контролем ВП;
- Система менеджмента качества сертифицирована по Международному стандарту ISO 9001;
- При необходимости вся продукция военного и аэрокосмического назначения проходит испытания и сертификацию в лаборатории (по согласованию с заказчиком);
- Поставка специализированных компонентов военного и аэрокосмического уровня качества (Xilinx, Altera, Analog Devices, Intersil, Interpoint, Microsemi, Actel, Aeroflex, Peregrine, VPT, Syfer, Eurofarad, Texas Instruments, MS Kennedy, Miteq, Cobham, E2V, MA-COM, Hittite, Mini-Circuits, General Dynamics и др.);

Компания «Океан Электроники» является официальным дистрибьютором и эксклюзивным представителем в России одного из крупнейших производителей разъемов военного и аэрокосмического назначения «JONHON», а так же официальным дистрибьютором и эксклюзивным представителем в России производителя высокотехнологичных и надежных решений для передачи СВЧ сигналов «FORSTAR».



JONHON

«JONHON» (основан в 1970 г.)

Разъемы специального, военного и аэрокосмического назначения:

(Применяются в военной, авиационной, аэрокосмической, морской, железнодорожной, горно- и нефтедобывающей отраслях промышленности)

«FORSTAR» (основан в 1998 г.)

ВЧ соединители, коаксиальные кабели,
кабельные сборки и микроволновые компоненты:

(Применяются в телекоммуникациях гражданского и специального назначения, в средствах связи, РЛС, а так же военной, авиационной и аэрокосмической отраслях промышленности).



Телефон: 8 (812) 309-75-97 (многоканальный)

Факс: 8 (812) 320-03-32

Электронная почта: ocean@oceanchips.ru

Web: <http://oceanchips.ru/>

Адрес: 198099, г. Санкт-Петербург, ул. Калинина, д. 2, корп. 4, лит. А