

10 9 8 7 6 5 4 3 2 1

F

E

D

C

B

A

F

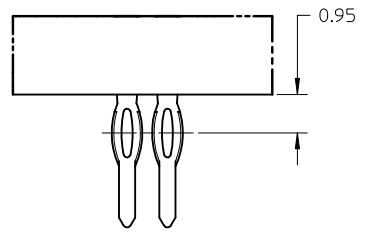
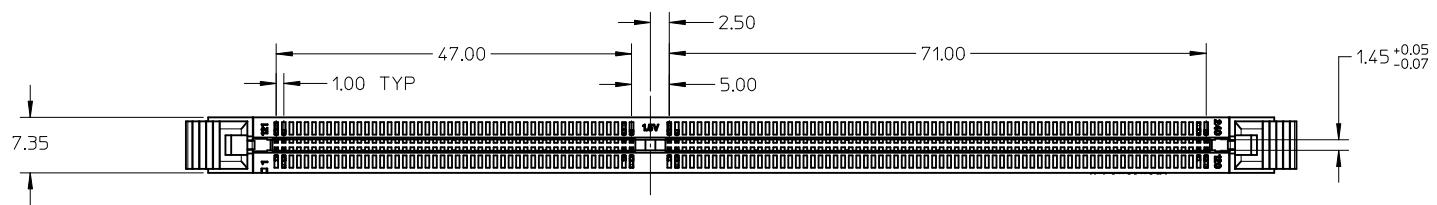
E

D

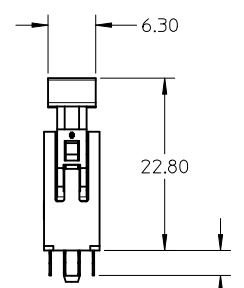
C

B

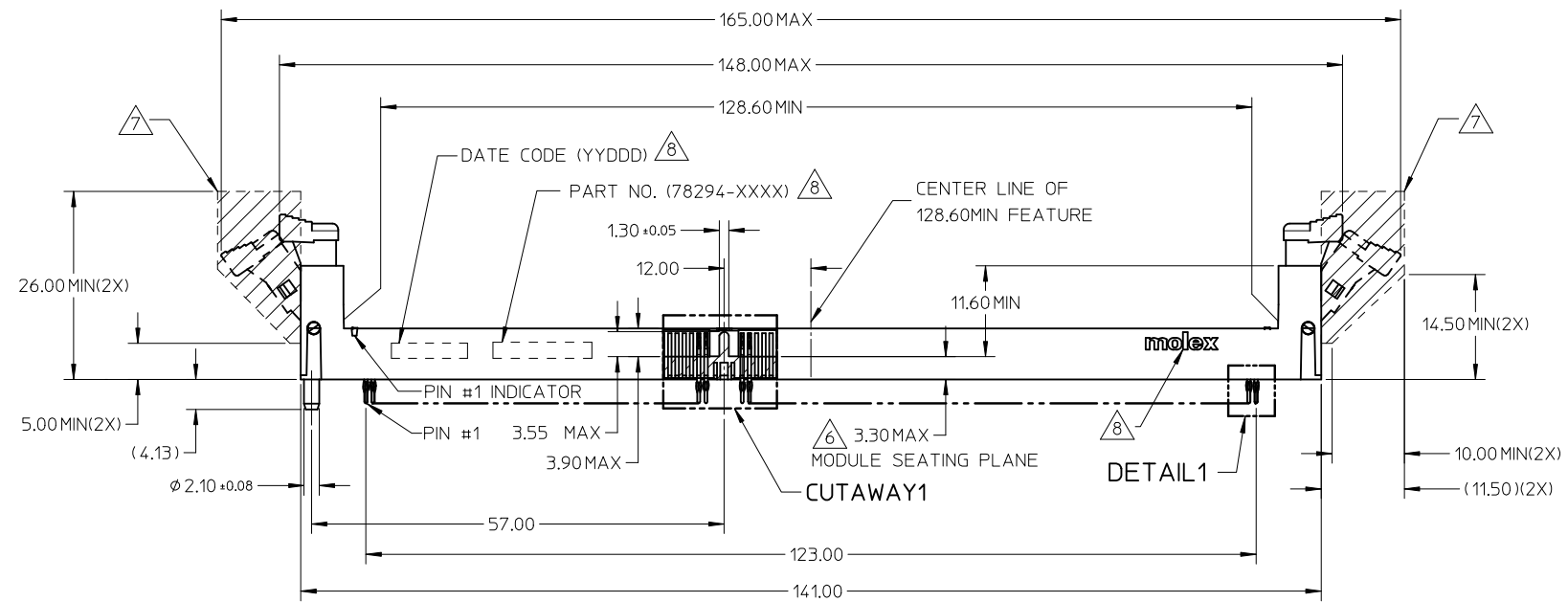
A



DETAIL1



DIM 'P' ±0.25



NOTES:

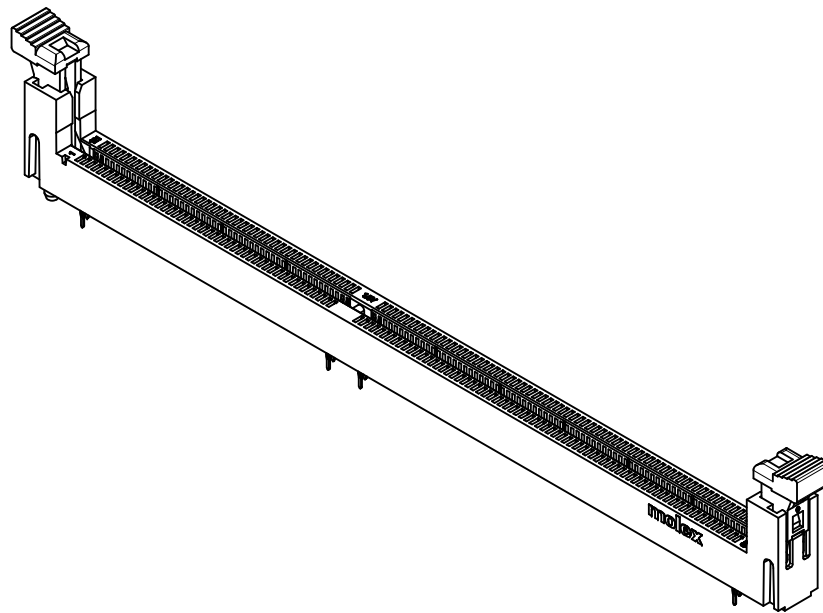
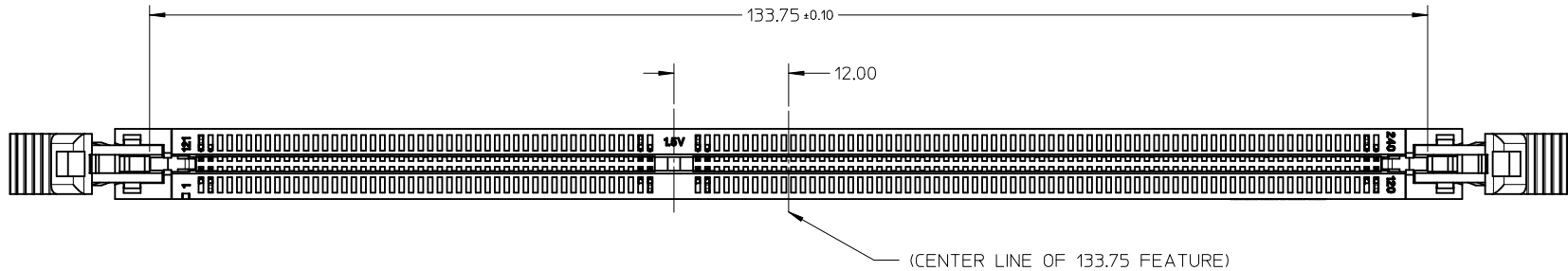
- MATERIALS  
HOUSING - HIGH TEMP NYLON GLASS FILLED, UL 94V-0, COLOUR - SEE TABLE  
LATCH - HIGH TEMP NYLON, COLOUR: BLACK OR NATURAL - SEE TABLE  
- POLYSULFONE, UL 94HB - CLEAR  
TERMINAL - PHOSPHOR BRONZE
- FINISHES - SEE TABLE.
- PRODUCT SPECIFICATION: SEE TABLE.
- PACKAGING SPECIFICATION: PRODUCT SHALL BE PACKED IN TRAY - SEE SHEET 6 .
- CARD SLOT ACCEPTS 1.27±0.10MM MODULE THICKNESS. (MEASURED FROM P.C.PADS).

- △ MODULE SEATING PLANE FROM TOP OF PCB.
- △ KEEP OUT ZONE RESERVED FOR LATCH.
- △ MOLEX LOGO, DATE & PART NO. INDICATED ON HOUSING.

REMOVE PART NO. EC NO: S2012-0828 DRWING:CGTAN 2012/04/30 CHKD:CTEH 2012/05/11 APPR:SHLENI 2012/05/11	DESCRIPTION A5	QUALITY SYMBOLS	GENERAL TOLERANCES (UNLESS SPECIFIED)		DIMENSION STYLE	SCALE	DESIGN UNITS	THIRD ANGLE PROJECTION		
		▽=0	mm	INCH	MM ONLY	NTS	METRIC			
		∇=0	4 PLACES ± --- ± ---	DRAWN BY	DATE	TITLE	DDR3 DIMM, 100MM PITCH 240 CKTS VERTICAL PRESS-FIT MOLEX INCORPORATED			
			3 PLACES ± --- ± ---	CMTEO	2007/08/29					
	2 PLACES ± 0.2 ± ---	CHECKED BY	DATE		MOLEX INCORPORATED DOCUMENT NO. SD-78294-001 SHEET NO. 1 OF 7					
	1 PLACE ± --- ± ---	CTTEH	2007/10/09							
	ANGULAR ± 1 °	APPROVED BY	DATE		THIS DRAWING CONTAINS INFORMATION THAT IS PROPRIETARY TO MOLEX INCORPORATED AND SHOULD NOT BE USED WITHOUT WRITTEN PERMISSION					
		SHLENI	2007/10/10							
		MATERIAL NO.								
		SIZE	SEE TABLE							

9 8 7 6 5 4 3 2 1

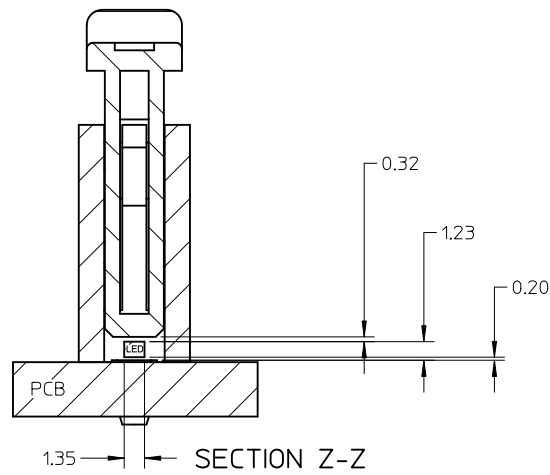
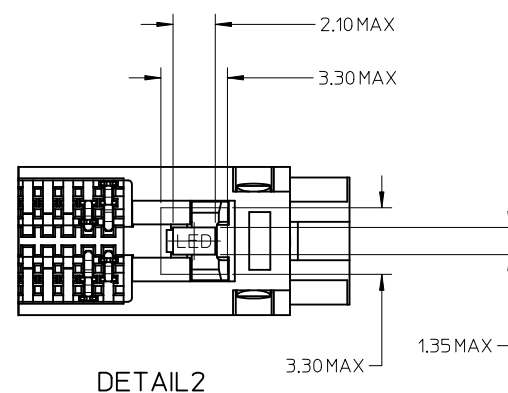
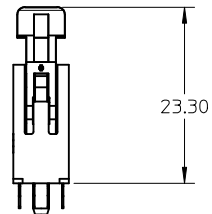
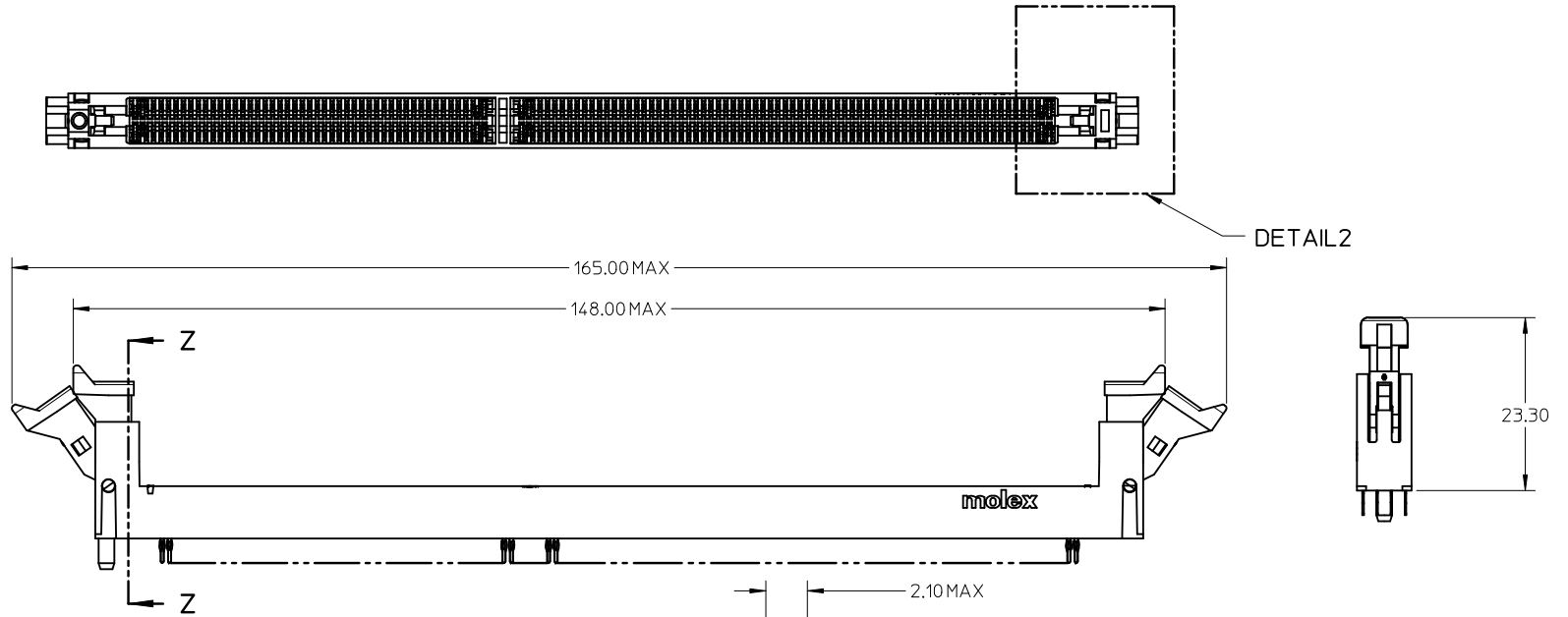
10 9 8 7 6 5 4 3 2 1



<b>REMOVE PART NO.</b> EC NO: S2012-0828 DRWN:CGTAN 2012/04/30 CHKD:CCTEH 2012/05/11 APPR:SHLENI 2012/05/11	QUALITY SYMBOLS = 0 = 0	GENERAL TOLERANCES (UNLESS SPECIFIED)		DIMENSION STYLE <b>MM ONLY</b>		SCALE NTS	DESIGN UNITS METRIC	THIRD ANGLE PROJECTION		
			mm	INCH	DRAWN BY	DATE	TITLE			
		4 PLACES	± ---	± ---	CMTEO	2007/08/29	DDR3 DIMM, 100MM PITCH			
		3 PLACES	± ---	± ---	CCTEH	2007/10/09	240 CKTS			
	± 0.2	± ---	APPROVED BY		DATE	MOLEX INCORPORATED				
1 PLACE	± ---	± ---	SHLENI		2007/10/10	DOCUMENT NO.				
ANGULAR ± 1 °		DRAFT WHERE APPLICABLE MUST REMAIN WITHIN DIMENSIONS		SEE TABLE		SD-78294-001				
				SIZE	THIS DRAWING CONTAINS INFORMATION THAT IS PROPRIETARY TO MOLEX INCORPORATED AND SHOULD NOT BE USED WITHOUT WRITTEN PERMISSION					
A5	REV			A3	SHEET NO.					
						2 OF 7				

9 8 7 6 5 4 3 2 1

# CONNECTOR WITH CLEAR LATCH

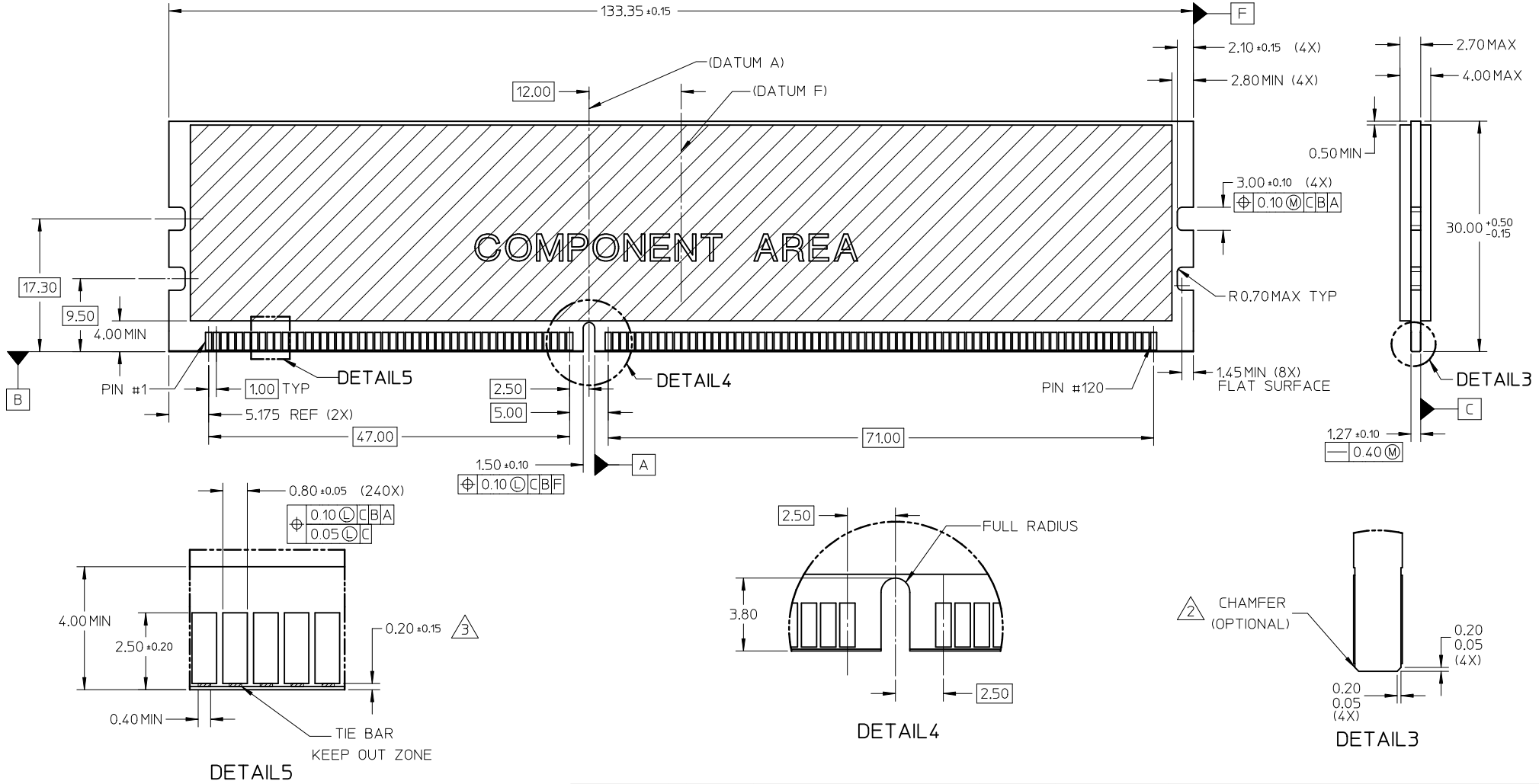


<b>REMOVE PART NO.</b> EC NO: S2012-0828 DRWN:CGTAN 2012/04/30 CHYKD:CCTEH 2012/05/11 APPR:SHLENI 2012/05/11	QUALITY SYMBOLS ▽=0 ◻=0	GENERAL TOLERANCES (UNLESS SPECIFIED) <table border="1"> <thead> <tr> <th></th> <th>mm</th> <th>INCH</th> </tr> </thead> <tbody> <tr> <td>4 PLACES</td> <td>± ---</td> <td>± ---</td> </tr> <tr> <td>3 PLACES</td> <td>± ---</td> <td>± ---</td> </tr> <tr> <td>2 PLACES</td> <td>± 0.2</td> <td>± ---</td> </tr> <tr> <td>1 PLACE</td> <td>± ---</td> <td>± ---</td> </tr> </tbody> </table>		mm	INCH	4 PLACES	± ---	± ---	3 PLACES	± ---	± ---	2 PLACES	± 0.2	± ---	1 PLACE	± ---	± ---	DIMENSION STYLE <b>MM ONLY</b>	SCALE NTS	DESIGN UNITS METRIC	THIRD ANGLE PROJECTION
		mm	INCH																		
	4 PLACES	± ---	± ---																		
	3 PLACES	± ---	± ---																		
2 PLACES	± 0.2	± ---																			
1 PLACE	± ---	± ---																			
DRAWN BY CMTEO	DATE 2007/08/29	TITLE DDR3 DIMM, 100MM PITCH 240 CKTS VERTICAL PRESS-FIT																			
CHECKED BY CCTEH	DATE 2007/10/09	MOLEX INCORPORATED																			
APPROVED BY SHLENI	DATE 2007/10/10	MATERIAL NO. SEE TABLE	DOCUMENT NO. SD-78294-001	SHEET NO. 3 OF 7																	

DRAFT WHERE APPLICABLE MUST REMAIN WITHIN DIMENSIONS

THIS DRAWING CONTAINS INFORMATION THAT IS PROPRIETARY TO MOLEX INCORPORATED AND SHOULD NOT BE USED WITHOUT WRITTEN PERMISSION

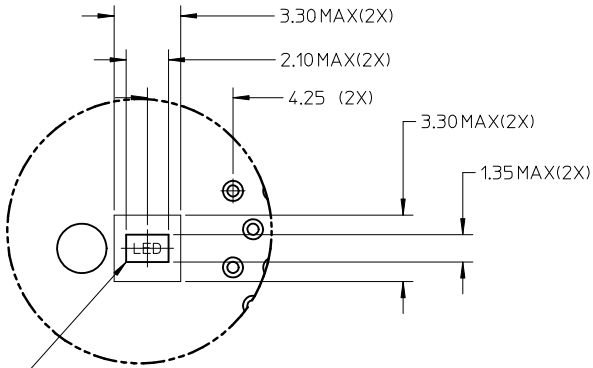
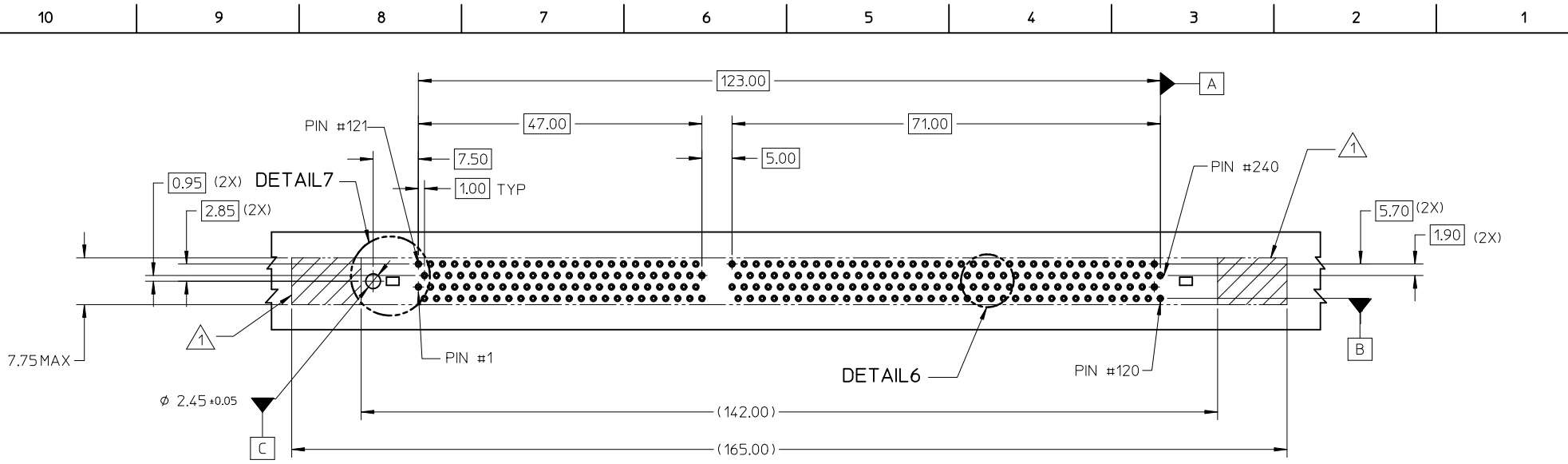
MODULE CARD  
 DDR3 DUAL IN-LINE MEMORY MODULE FAMILY 100MM CONTACT CENTERS  
 (JEDEC MO-269, ISSUE A, 12/05)



NOTES:

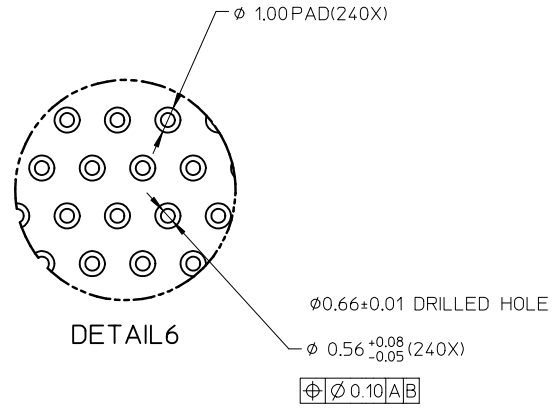
- RECOMMENDED PLATING FOR CONTACT PADS:  
 PREFERRED: 0.76 MICROMETERS GOLD PLATING MIN  
 OVER 2.00 MICROMETERS NICKEL  
 ALTERNATIVE: 0.05-0.75 MICROMETERS GOLD PLATING  
 OVER 2.00 MICROMETERS NICKEL MUST USE AN ELECTRONIC  
 CONTACT GRADE CORROSIVE BARRIER LUBRICANT
- CHAMFER IS OPTIONAL AND IS NOT TO HIT THE GOLD PADS
- LEADING EDGE OF GOLD PADS SPECIFIED BY KEEPOUT ZONE  
 SHALL BE FREE OF BURRS AND EXTERNAL TIE BARS.

REMOVE PART NO. EC NO: S2012-0828 DRW:CGTAN CHKD:CCTEH APPR:SHLENI	REV A5	DESCRIPTION 2012/04/30 2012/05/11 2012/05/11	QUALITY SYMBOLS	GENERAL TOLERANCES (UNLESS SPECIFIED)	DIMENSION STYLE	SCALE	DESIGN UNITS	THIRD ANGLE PROJECTION	
			▽=0	mm	MM ONLY	NTS	METRIC	⊕ ⊞	
			⊕=0	INCH					
				4 PLACES ± --- ± --- 3 PLACES ± --- ± --- 2 PLACES ± 0.2 ± --- 1 PLACE ± --- ± ---	DRAWN BY CMTEO	DATE 2007/08/29	TITLE DDR3 DIMM, 100MM PITCH 240 CKTS VERTICAL PRESS-FIT		
			ANGULAR ± 1 °	APPROVED BY SHLENI	DATE 2007/10/10	MATERIAL NO.	DOCUMENT NO.	SHEET NO.	
			DRAFT WHERE APPLICABLE MUST REMAIN WITHIN DIMENSIONS	SEE TABLE		MOLEX	SD-78294-001	4 OF 7	
				SIZE A3	THIS DRAWING CONTAINS INFORMATION THAT IS PROPRIETARY TO MOLEX INCORPORATED AND SHOULD NOT BE USED WITHOUT WRITTEN PERMISSION				



'LED' IS FOR CLEAR LATCH VERION ONLY

DETAIL 7



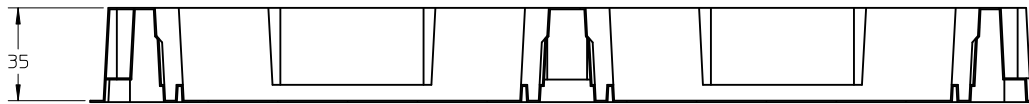
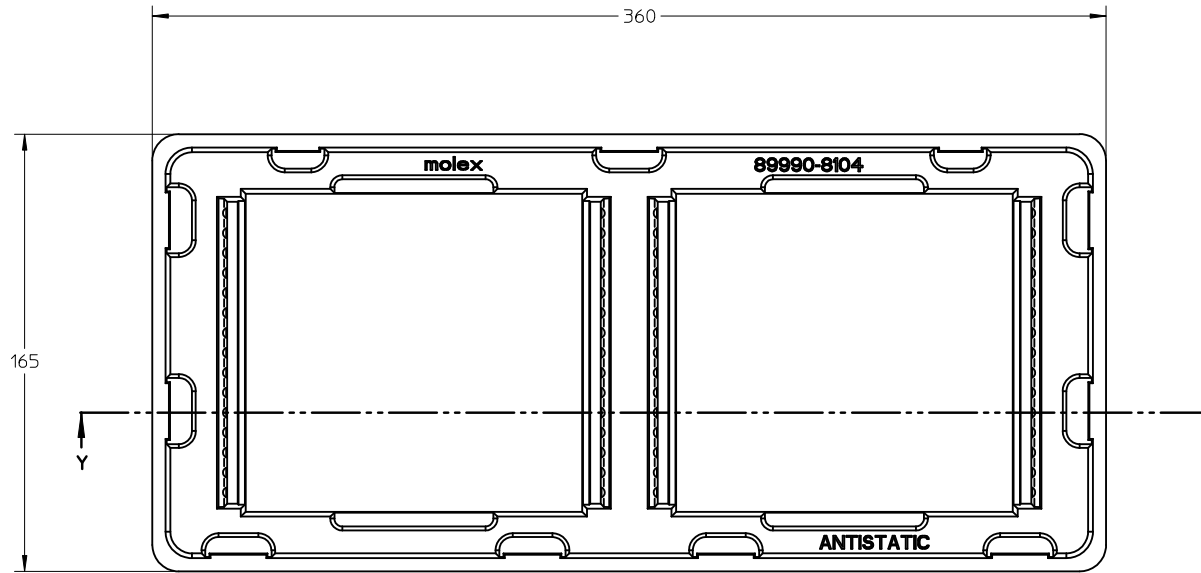
DETAIL 6

NOTE:

1 KEEP OUT AREA IS THE AREA WHERE THE CONNECTOR (INCLUDING LATCH) IS MOUNTED ON THE PCB.

REMOVE PART NO. EC NO: S2012-0828 DRWN:CGTAN 2012/04/30 CHKD:CCTEH 2012/05/11 APPR:SHLENI 2012/05/11	DESCRIPTION A5	QUALITY SYMBOLS	GENERAL TOLERANCES (UNLESS SPECIFIED)		DIMENSION STYLE MM ONLY		SCALE NTS	DESIGN UNITS METRIC	THIRD ANGLE PROJECTION																														
		$\nabla = 0$ $\square = 0$	<table border="1"> <thead> <tr> <th></th> <th>mm</th> <th>INCH</th> </tr> </thead> <tbody> <tr> <td>4 PLACES</td> <td>± ---</td> <td>± ---</td> </tr> <tr> <td>3 PLACES</td> <td>± ---</td> <td>± ---</td> </tr> <tr> <td>2 PLACES</td> <td>± 0.2</td> <td>± ---</td> </tr> <tr> <td>1 PLACE</td> <td>± ---</td> <td>± ---</td> </tr> </tbody> </table>		mm	INCH	4 PLACES	± ---	± ---	3 PLACES	± ---	± ---	2 PLACES	± 0.2	± ---	1 PLACE	± ---	± ---	<table border="1"> <thead> <tr> <th>DRAWN BY</th> <th>DATE</th> <th>TITLE</th> </tr> </thead> <tbody> <tr> <td>CMTEO</td> <td>2007/08/29</td> <td rowspan="3">DDR3 DIMM, 100MM PITCH 240 CKTS VERTICAL PRESS-FIT</td> </tr> <tr> <td>CCTEH</td> <td>2007/10/09</td> </tr> <tr> <td>SHLENI</td> <td>2007/10/10</td> </tr> </tbody> </table>	DRAWN BY	DATE	TITLE	CMTEO	2007/08/29	DDR3 DIMM, 100MM PITCH 240 CKTS VERTICAL PRESS-FIT	CCTEH	2007/10/09	SHLENI	2007/10/10	<table border="1"> <tr> <td colspan="2">MATERIAL NO.</td> <td>DOCUMENT NO.</td> <td>SHEET NO.</td> </tr> <tr> <td colspan="2">SEE TABLE</td> <td>SD-78294-001</td> <td>5 OF 7</td> </tr> </table>		MATERIAL NO.		DOCUMENT NO.	SHEET NO.	SEE TABLE		SD-78294-001	5 OF 7
			mm	INCH																																			
		4 PLACES	± ---	± ---																																			
3 PLACES	± ---	± ---																																					
2 PLACES	± 0.2	± ---																																					
1 PLACE	± ---	± ---																																					
DRAWN BY	DATE	TITLE																																					
CMTEO	2007/08/29	DDR3 DIMM, 100MM PITCH 240 CKTS VERTICAL PRESS-FIT																																					
CCTEH	2007/10/09																																						
SHLENI	2007/10/10																																						
MATERIAL NO.		DOCUMENT NO.	SHEET NO.																																				
SEE TABLE		SD-78294-001	5 OF 7																																				
DRAFT WHERE APPLICABLE MUST REMAIN WITHIN DIMENSIONS				SIZE A3		THIS DRAWING CONTAINS INFORMATION THAT IS PROPRIETARY TO MOLEX INCORPORATED AND SHOULD NOT BE USED WITHOUT WRITTEN PERMISSION																																	

# VIEW OF PACKAGING TRAY



SECTION Y-Y

NOTE:

1. CAVITY QTY : 30PCS

REMOVE PART NO. IEC NO: S2012-0828 DRWN:CGTAN 2012/04/30 CHKD:CCTEH 2012/05/11 APPR:SHLENI 2012/05/11	QUALITY SYMBOLS ▽=0 ◻=0	GENERAL TOLERANCES (UNLESS SPECIFIED)		DIMENSION STYLE <b>MM ONLY</b>	SCALE <b>NTS</b>	DESIGN UNITS <b>METRIC</b>	THIRD ANGLE PROJECTION	
			mm    INCH	DRAWN BY CMTEO	DATE 2007/08/29	TITLE <b>DDR3 DIMM, 100MM PITCH 240 CKTS VERTICAL PRESS-FIT</b>		
		4 PLACES	± ---    ± ---	CHECKED BY CCTEH	DATE 2007/10/09			
		3 PLACES	± ---    ± ---	APPROVED BY SHLENI	DATE 2007/10/10	MOLEX INCORPORATED		
2 PLACES	± 0.2    ± ---	ANGULAR ± 1 °		MATERIAL NO. <b>SEE TABLE</b>	DOCUMENT NO. <b>SD-78294-001</b>	SHEET NO. <b>6 OF 7</b>		
1 PLACE	± ---    ± ---	DRAFT WHERE APPLICABLE MUST REMAIN WITHIN DIMENSIONS		SIZE <b>A3</b>	THIS DRAWING CONTAINS INFORMATION THAT IS PROPRIETARY TO MOLEX INCORPORATED AND SHOULD NOT BE USED WITHOUT WRITTEN PERMISSION			

TIN OPTION

PART NO.	VOLTAGE KEY POS.	VOLTAGE	DIM 'P'	RECOMMENDED PCB THICKNESS	PLATING OPTION	HOUSING COLOUR	LATCH COLOUR	PRODUCT SPECIFICATION				
78294-0001	CENTER	1.5V	3.30	3.60	CONTACT AREA: 0.76 MICROMETER/ 30 MICROINCH MIN. GOLD OVER 1.27 MICROMETER/ 50 MICROINCH MIN NICKEL UNDERPLATE	BLACK	BLACK	PS-78294-002				
78294-0002			4.20	4.57								
78294-0005			3.30	3.60								
78294-0006			4.20	4.57								
78294-0007			3.30	3.60								
78294-0008			4.20	4.57								
78294-0009			3.30	3.60								
78294-0010			4.20	4.57								
78294-0003			3.30	3.60					CONTACT AREA: 0.38 MICROMETER/ 15 MICROINCH MIN. GOLD OVER 1.27 MICROMETER/ 50 MICROINCH MIN NICKEL UNDERPLATE	BLACK	BLACK	PS-78294-001
78294-0004			4.20	4.57								
78294-0105	3.30	3.60										
78294-0106	4.20	4.57										

<b>REMOVE PART NO.</b> EC NO: S2012-0828 DRWN:CGTAN 2012/04/30 CHYD:CCTEH 2012/05/11 APPR:SHLENI 2012/05/11 REV DESCRIPTION	QUALITY SYMBOLS	GENERAL TOLERANCES (UNLESS SPECIFIED)	DIMENSION STYLE	SCALE	DESIGN UNITS	THIRD ANGLE PROJECTION
	▽=0 ▽=0	mm INCH 4 PLACES ± --- ± --- 3 PLACES ± --- ± --- 2 PLACES ± 0.2 ± --- 1 PLACE ± --- ± --- ANGULAR ± 1 °	MM ONLY	NTS	METRIC	
		DRAFT WHERE APPLICABLE MUST REMAIN WITHIN DIMENSIONS	DRAWN BY: CMTEO DATE: 2007/08/29 CHECKED BY: CCTEH DATE: 2007/10/09 APPROVED BY: SHLENI DATE: 2007/10/10	TITLE	DDR3 DIMM, 100MM PITCH 240 CKTS VERTICAL PRESS-FIT	
	A5		SEE TABLE	MATERIAL NO.	DOCUMENT NO.	SHEET NO.



Компания «Океан Электроники» предлагает заключение долгосрочных отношений при поставках импортных электронных компонентов на взаимовыгодных условиях!

Наши преимущества:

- Поставка оригинальных импортных электронных компонентов напрямую с производств Америки, Европы и Азии, а так же с крупнейших складов мира;
- Широкая линейка поставок активных и пассивных импортных электронных компонентов (более 30 млн. наименований);
- Поставка сложных, дефицитных, либо снятых с производства позиций;
- Оперативные сроки поставки под заказ (от 5 рабочих дней);
- Экспресс доставка в любую точку России;
- Помощь Конструкторского Отдела и консультации квалифицированных инженеров;
- Техническая поддержка проекта, помощь в подборе аналогов, поставка прототипов;
- Поставка электронных компонентов под контролем ВП;
- Система менеджмента качества сертифицирована по Международному стандарту ISO 9001;
- При необходимости вся продукция военного и аэрокосмического назначения проходит испытания и сертификацию в лаборатории (по согласованию с заказчиком);
- Поставка специализированных компонентов военного и аэрокосмического уровня качества (Xilinx, Altera, Analog Devices, Intersil, Interpoint, Microsemi, Actel, Aeroflex, Peregrine, VPT, Syfer, Eurofarad, Texas Instruments, MS Kennedy, Miteq, Cobham, E2V, MA-COM, Hittite, Mini-Circuits, General Dynamics и др.);

Компания «Океан Электроники» является официальным дистрибьютором и эксклюзивным представителем в России одного из крупнейших производителей разъемов военного и аэрокосмического назначения «JONHON», а так же официальным дистрибьютором и эксклюзивным представителем в России производителя высокотехнологичных и надежных решений для передачи СВЧ сигналов «FORSTAR».



## JONHON

«JONHON» (основан в 1970 г.)

Разъемы специального, военного и аэрокосмического назначения:

(Применяются в военной, авиационной, аэрокосмической, морской, железнодорожной, горно- и нефтедобывающей отраслях промышленности)

«FORSTAR» (основан в 1998 г.)

ВЧ соединители, коаксиальные кабели, кабельные сборки и микроволновые компоненты:

(Применяются в телекоммуникациях гражданского и специального назначения, в средствах связи, РЛС, а так же военной, авиационной и аэрокосмической отраслях промышленности).



Телефон: 8 (812) 309-75-97 (многоканальный)

Факс: 8 (812) 320-03-32

Электронная почта: [ocean@oceanchips.ru](mailto:ocean@oceanchips.ru)

Web: <http://oceanchips.ru/>

Адрес: 198099, г. Санкт-Петербург, ул. Калинина, д. 2, корп. 4, лит. А