

18-Port GPIO with LED Intensity Control, Interrupt, and Hot-Insertion Protection

General Description

The MAX7314 I²C-compatible serial interfaced peripheral provides microprocessors with 16 I/O ports plus one output-only port and one input-only port. Each I/O port can be individually configured as either an open-drain current-sinking output rated at 50mA and 5.5V, or a logic input with transition detection. The output-only port can be assigned as an interrupt output for transition detection. The outputs are capable of driving LEDs, or providing logic outputs with external resistive pullup up to 5.5V.

Eight-bit PWM current control is built in for all 17 output ports. A 4-bit global control applies to all LED outputs and provides coarse adjustment of current from fully off to fully on with 14 intensity steps in between. Each output has an individual 4-bit control, which further divides the globally set current into 16 more steps. Alternatively, the current control can be configured as a single 8-bit control that sets all outputs at once.

Each output has independent blink timing with two blink phases. All LEDs can be individually set to be on or off during either blink phase, or to ignore the blink control. The blink period is controlled by a clock input (up to 1kHz) on BLINK or by a register. The BLINK input can also be used as a logic control to turn the LEDs on and off, or as a general-purpose input.

The MAX7314 supports hot insertion. All port pins, the $\overline{\text{INT}}$ output, SDA, SCL, $\overline{\text{RST}}$, BLINK, and the slave address input ADO remain high impedance in power-down ($V_+ = 0V$) with up to 6V asserted upon them.

The MAX7314 is controlled through a 2-wire serial interface, and uses four-level logic to allow four I²C addresses from only one select pin.

Applications

LCD Backlights
LED Status Indication
Relay Drivers
Keypad Backlights
RGB LED Drivers
System I/O Ports

Pin Configurations continued at end of data sheet.

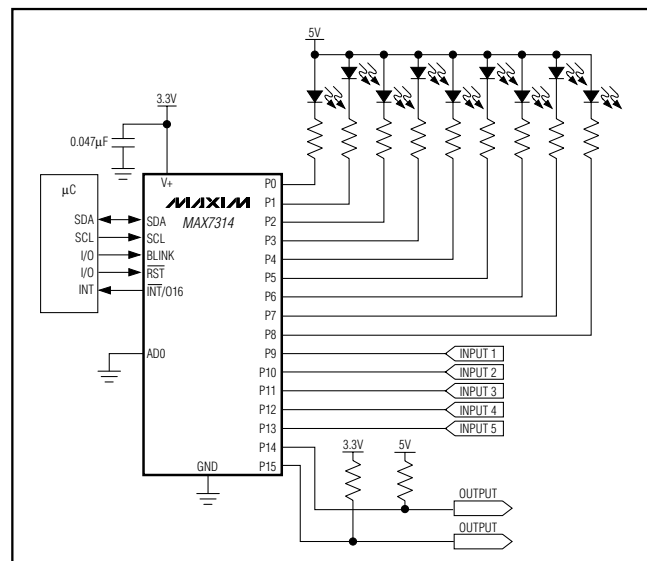
Features

- ◆ 400kbps, 2-Wire Serial Interface, 5.5V Tolerant
- ◆ 2V to 3.6V Operation
- ◆ Overall 8-Bit PWM LED Intensity Control
Global 16-Step Intensity Control
Individual 16-Step Intensity Controls
- ◆ 2-Phase LED Blinking
- ◆ 50mA Maximum Port Output Current
- ◆ Supports Hot Insertion
- ◆ Outputs are 5.5V-Rated Open Drain
- ◆ Inputs are Overvoltage Protected to 5.5V
- ◆ Transition Detection with Interrupt Output
- ◆ 1.2 μ A (typ), 3.6 μ A (max) Operating Current
- ◆ Small 4mm x 4mm, Thin QFN Package
- ◆ -40°C to +125°C Temperature Range

Ordering Information

| PART | TEMP RANGE | PIN-PACKAGE | PKG CODE |
|------------|-----------------|-------------------------------------|----------|
| MAX7314ATG | -40°C to +125°C | 24 Thin QFN 4mm x 4mm x 0.8mm | T2444-4 |
| MAX7314AEG | -40°C to +125°C | 24 QSOP | — |

Typical Application Circuit



18-Port GPIO with LED Intensity Control, Interrupt, and Hot-Insertion Protection

ABSOLUTE MAXIMUM RATINGS

Voltage (with respect to GND)

| | |
|--|--------------|
| V+ | -0.3V to +4V |
| SCL, SDA, AD0, BLINK, $\overline{\text{RST}}$, P0–P15 | -0.3V to +6V |
| $\overline{\text{INT}}/\text{O16}$ | -0.3V to +8V |
| DC Current on P0–P15, $\overline{\text{INT}}/\text{O16}$ | ±55mA |
| DC Current on SDA | ±10mA |
| Maximum GND Current | ±350mA |

Continuous Power Dissipation ($T_A = +70^\circ\text{C}$)

| | |
|---|---|
| 24-Pin QSOP (derate 9.5mW/ $^\circ\text{C}$ over $+70^\circ\text{C}$) | 761mW |
| 24-Pin QFN (derate 20.8mW/ $^\circ\text{C}$ over $+70^\circ\text{C}$) | 1666mW |
| Operating Temperature Range (T_{MIN} to T_{MAX}) | -40°C to $+125^\circ\text{C}$ |
| Junction Temperature | $+150^\circ\text{C}$ |
| Storage Temperature Range | -65°C to $+150^\circ\text{C}$ |
| Lead Temperature (soldering, 10s) | $+300^\circ\text{C}$ |

Stresses beyond those listed under "Absolute Maximum Ratings" may cause permanent damage to the device. These are stress ratings only, and functional operation of the device at these or any other conditions beyond those indicated in the operational sections of the specifications is not implied. Exposure to absolute maximum rating conditions for extended periods may affect device reliability.

ELECTRICAL CHARACTERISTICS

(Typical Operating Circuit, $V_+ = 2\text{V}$ to 3.6V , $T_A = T_{\text{MIN}}$ to T_{MAX} , unless otherwise noted. Typical values are at $V_+ = 3.3\text{V}$, $T_A = +25^\circ\text{C}$.)
(Note 1)

| PARAMETER | SYMBOL | CONDITIONS | MIN | TYP | MAX | UNITS |
|---|--------------------------------|--|--|-----|------------------|---------------|
| Operating Supply Voltage | V_+ | | 2 | | 3.6 | V |
| Output Load External Supply Voltage | V_{EXT} | | 0 | | 5.5 | V |
| Standby Current (Interface Idle, PWM Disabled) | I_+ | SCL and SDA at V_+ ; other digital inputs at V_+ or GND; PWM intensity control disabled | $T_A = +25^\circ\text{C}$ | 1.2 | 2.3 | μA |
| | | | $T_A = -40^\circ\text{C}$ to $+85^\circ\text{C}$ | | 2.8 | |
| | | | $T_A = T_{\text{MIN}}$ to T_{MAX} | | 3.6 | |
| Supply Current (Interface Idle, PWM Enabled) | I_+ | SCL and SDA at V_+ ; other digital inputs at V_+ or GND; PWM intensity control disabled | $T_A = +25^\circ\text{C}$ | 8.5 | 15.1 | μA |
| | | | $T_A = -40^\circ\text{C}$ to $+85^\circ\text{C}$ | | 16.5 | |
| | | | $T_A = T_{\text{MIN}}$ to T_{MAX} | | 17.2 | |
| Supply Current (Interface Running, PWM Disabled) | I_+ | $f_{\text{SCL}} = 400\text{kHz}$; other digital inputs at V_+ or GND; PWM intensity control enabled | $T_A = +25^\circ\text{C}$ | 50 | 95.3 | μA |
| | | | $T_A = -40^\circ\text{C}$ to $+85^\circ\text{C}$ | | 99.2 | |
| | | | $T_A = T_{\text{MIN}}$ to T_{MAX} | | 102.4 | |
| Supply Current (Interface Running, PWM Enabled) | I_+ | $f_{\text{SCL}} = 400\text{kHz}$; other digital inputs at V_+ or GND; PWM intensity control enabled | $T_A = +25^\circ\text{C}$ | 57 | 110.2 | μA |
| | | | $T_A = -40^\circ\text{C}$ to $+85^\circ\text{C}$ | | 117.4 | |
| | | | $T_A = T_{\text{MIN}}$ to T_{MAX} | | 122.1 | |
| Input High Voltage SDA, SCL, AD0, BLINK, P0–P15 | V_{IH} | | $0.7 \times V_+$ | | | V |
| Input Low Voltage SDA, SCL, AD0, BLINK, P0–P15 | V_{IL} | | | | $0.3 \times V_+$ | V |
| Input Leakage Current SDA, SCL, AD0, BLINK, P0–P15 | $I_{\text{IH}}, I_{\text{IL}}$ | $0 \leq \text{input voltage} \leq 5.5\text{V}$ | -0.2 | | +0.2 | μA |
| Input Capacitance SDA, SCL, AD0, BLINK, P0–P15 | | | | 8 | | pF |

18-Port GPIO with LED Intensity Control, Interrupt, and Hot-Insertion Protection

MAX7314

ELECTRICAL CHARACTERISTICS (continued)

(Typical Operating Circuit, $V_+ = 2V$ to $3.6V$, $T_A = T_{MIN}$ to T_{MAX} , unless otherwise noted. Typical values are at $V_+ = 3.3V$, $T_A = +25^\circ C$.) (Note 1)

| PARAMETER | SYMBOL | CONDITIONS | | MIN | TYP | MAX | UNITS |
|---------------------------------------|--------|----------------------------------|--------------------------------------|------|------|-----|-------|
| Output Low Voltage P0–P15, INT/O16 | VOL | $V_+ = 2V$, $I_{SINK} = 20mA$ | $T_A = +25^\circ C$ | 0.15 | 0.26 | V | |
| | | | $T_A = -40^\circ C$ to $+85^\circ C$ | | 0.3 | | |
| | | | $T_A = T_{MIN}$ to T_{MAX} | | 0.32 | | |
| | | $V_+ = 2.5V$, $I_{SINK} = 20mA$ | $T_A = +25^\circ C$ | 0.13 | 0.23 | V | |
| | | | $T_A = -40^\circ C$ to $+85^\circ C$ | | 0.26 | | |
| | | | $T_A = T_{MIN}$ to T_{MAX} | | 0.28 | | |
| | | $V_+ = 3.3V$, $I_{SINK} = 20mA$ | $T_A = +25^\circ C$ | 0.12 | 0.23 | V | |
| | | | $T_A = -40^\circ C$ to $+85^\circ C$ | | 0.24 | | |
| | | | $T_A = T_{MIN}$ to T_{MAX} | | 0.26 | | |
| Output Low-Voltage SDA | VOLSDA | $I_{SINK} = 6mA$ | | | | 0.4 | V |
| PWM Clock Frequency | fPWM | | | | 32 | | kHz |

TIMING CHARACTERISTICS

(Typical Operating Circuit, $V_+ = 2V$ to $3.6V$, $T_A = T_{MIN}$ to T_{MAX} , unless otherwise noted. Typical values are at $V_+ = 3.3V$, $T_A = +25^\circ C$.) (Note 1)

| PARAMETER | SYMBOL | CONDITIONS | MIN | TYP | MAX | UNITS |
|--|----------|--------------|-----|---------------|-----|---------|
| Serial Clock Frequency | fSCL | | | | 400 | kHz |
| Bus Free Time Between a STOP and a START Condition | tBUF | | 1.3 | | | μs |
| Hold Time, Repeated START Condition | tHD, STA | | 0.6 | | | μs |
| Repeated START Condition Setup Time | tSU, STA | | 0.6 | | | μs |
| STOP Condition Setup Time | tSU, STO | | 0.6 | | | μs |
| Data Hold Time | tHD, DAT | (Note 2) | | | 0.9 | μs |
| Data Setup Time | tSU, DAT | | 180 | | | ns |
| SCL Clock Low Period | tLOW | | 1.3 | | | μs |
| SCL Clock High Period | tHIGH | | 0.7 | | | μs |
| Rise Time of Both SDA and SCL Signals, Receiving | tR | (Notes 3, 4) | | 20 + 0.1Cb | 300 | ns |
| Fall Time of Both SDA and SCL Signals, Receiving | tF | (Notes 3, 4) | | 20 + 0.1Cb | 300 | ns |
| Fall Time of SDA Transmitting | tF, TX | (Notes 3, 5) | | 20 + 0.1Cb | 250 | ns |
| Pulse Width of Spike Suppressed | tSP | (Note 6) | | 50 | | ns |
| Capacitive Load for Each Bus Line | Cb | (Note 3) | | | 400 | pF |
| RST Pulse Width | tW | | 1 | | | μs |

18-Port GPIO with LED Intensity Control, Interrupt, and Hot-Insertion Protection

TIMING CHARACTERISTICS (continued)

(Typical Operating Circuit, $V_+ = 2V$ to $3.6V$, $T_A = T_{MIN}$ to T_{MAX} , unless otherwise noted. Typical values are at $V_+ = 3.3V$, $T_A = +25^\circ C$.) (Note 1)

| PARAMETER | SYMBOL | CONDITIONS | MIN | TYP | MAX | UNITS |
|------------------------|----------|------------|-----|-----|-----|---------|
| Interrupt Valid | t_{IV} | Figure 10 | | | 6.5 | μs |
| Interrupt Reset | t_{IR} | Figure 10 | | | 1 | μs |
| Output Data Valid | t_{DV} | Figure 10 | | | 5 | μs |
| Input Data Set-Up Time | t_{DS} | Figure 10 | 100 | | | ns |
| Input Data Hold Time | t_{DH} | Figure 10 | 1 | | | μs |

Note 1: All parameters tested at $T_A = +25^\circ C$. Specifications over temperature are guaranteed by design.

Note 2: A master device must provide a hold time of at least 300ns for the SDA signal (referred to V_{IL} of the SCL signal) to bridge the undefined region of SCL's falling edge.

Note 3: Guaranteed by design.

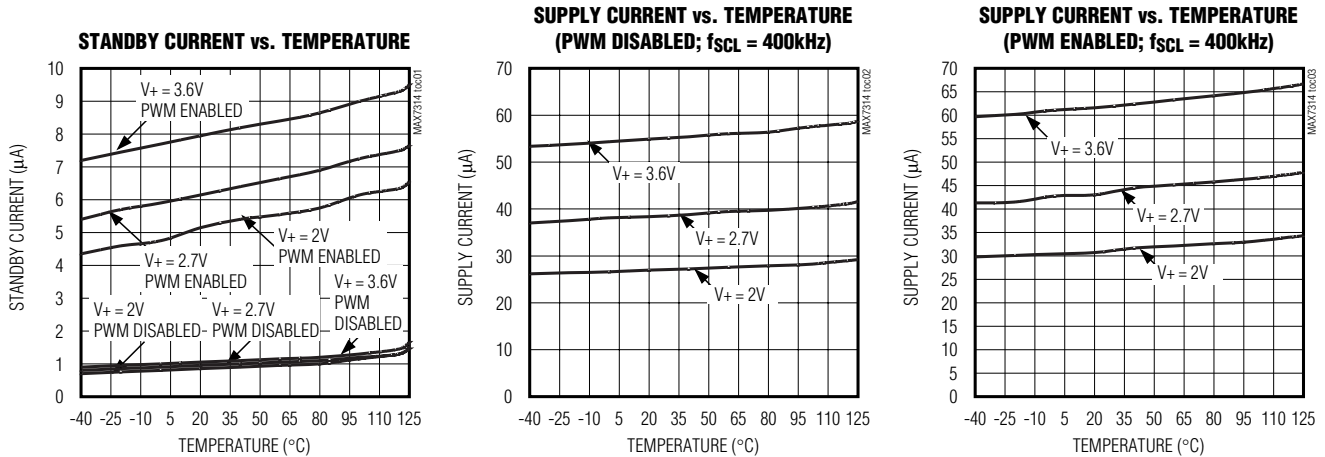
Note 4: C_b = total capacitance of one bus line in pF. t_R and t_F measured between $0.3 \times V_{DD}$ and $0.7 \times V_{DD}$.

Note 5: $I_{SINK} \leq 6mA$. C_b = total capacitance of one bus line in pF. t_R and t_F measured between $0.3 \times V_{DD}$ and $0.7 \times V_{DD}$.

Note 6: Input filters on the SDA and SCL inputs suppress noise spikes less than 50ns.

Typical Operating Characteristics

($T_A = +25^\circ C$, unless otherwise noted.)



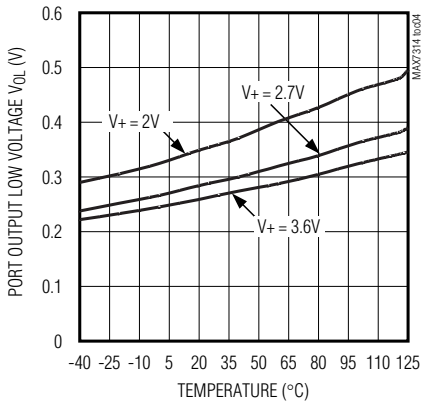
18-Port GPIO with LED Intensity Control, Interrupt, and Hot-Insertion Protection

MAX7314

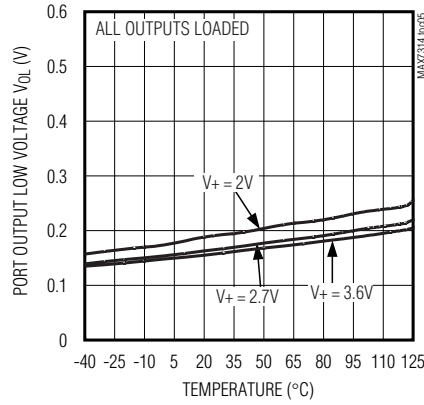
Typical Operating Characteristics (continued)

($T_A = +25^\circ\text{C}$, unless otherwise noted.)

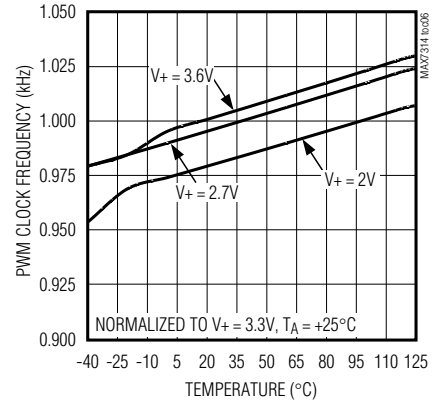
PORT OUTPUT LOW VOLTAGE WITH 50mA LOAD CURRENT vs. TEMPERATURE



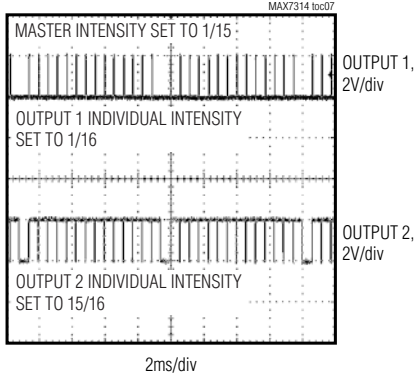
PORT OUTPUT LOW VOLTAGE WITH 20mA LOAD CURRENT vs. TEMPERATURE



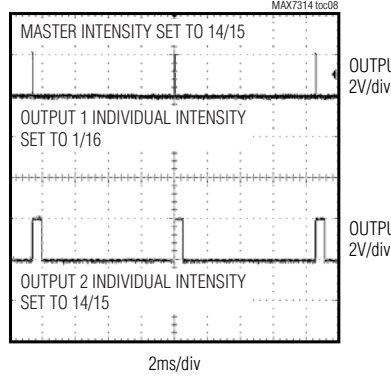
PWM CLOCK FREQUENCY vs. TEMPERATURE



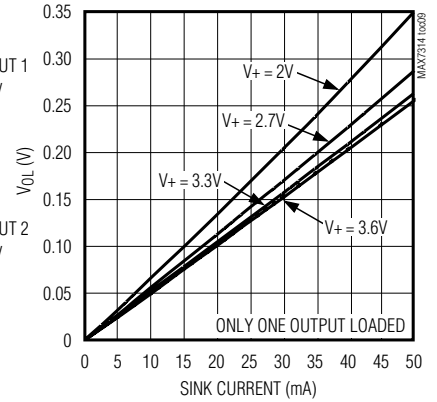
SCOPE SHOT OF 2 OUTPUT PORTS



SCOPE SHOT OF 2 OUTPUT PORTS



SINK CURRENT vs. V_OL



18-Port GPIO with LED Intensity Control, Interrupt, and Hot-Insertion Protection

Pin Description

| PIN | | NAME | FUNCTION |
|-------------|------------|------------------------------------|--|
| QSOP | QFN | | |
| 1 | 22 | $\overline{\text{INT}}/\text{O16}$ | Output Port. Open-drain output rated at 7V, 50mA. Configurable as interrupt output or general-purpose output. |
| 2 | 23 | $\overline{\text{RST}}$ | Reset Input. Active low clears the 2-wire interface and puts the device in the same condition as power-up reset. |
| 3 | 24 | AD0 | Address Input. Sets device slave address. Connect to either GND, V+, SCL, or SDA to give four logic combinations. See Table 1. |
| 4–11, 13–20 | 1–8, 10–17 | P0–P15 | Input/Output Ports. P0–P15 are open-drain I/Os rated at 5.5V, 50mA. |
| 12 | 9 | GND | Ground. Do not sink more than 350mA into the GND pin. |
| 21 | 18 | BLINK | Input Port Configurable as Blink Control or General-Purpose Input |
| 22 | 19 | SCL | I ² C-Compatible Serial Clock Input |
| 23 | 20 | SDA | I ² C-Compatible Serial Data I/O |
| 24 | 21 | V+ | Positive Supply Voltage. Bypass V+ to GND with a 0.047μF ceramic capacitor. |
| — | PAD | Exposed Pad | Exposed Pad on Package Underside. Connect to GND. |

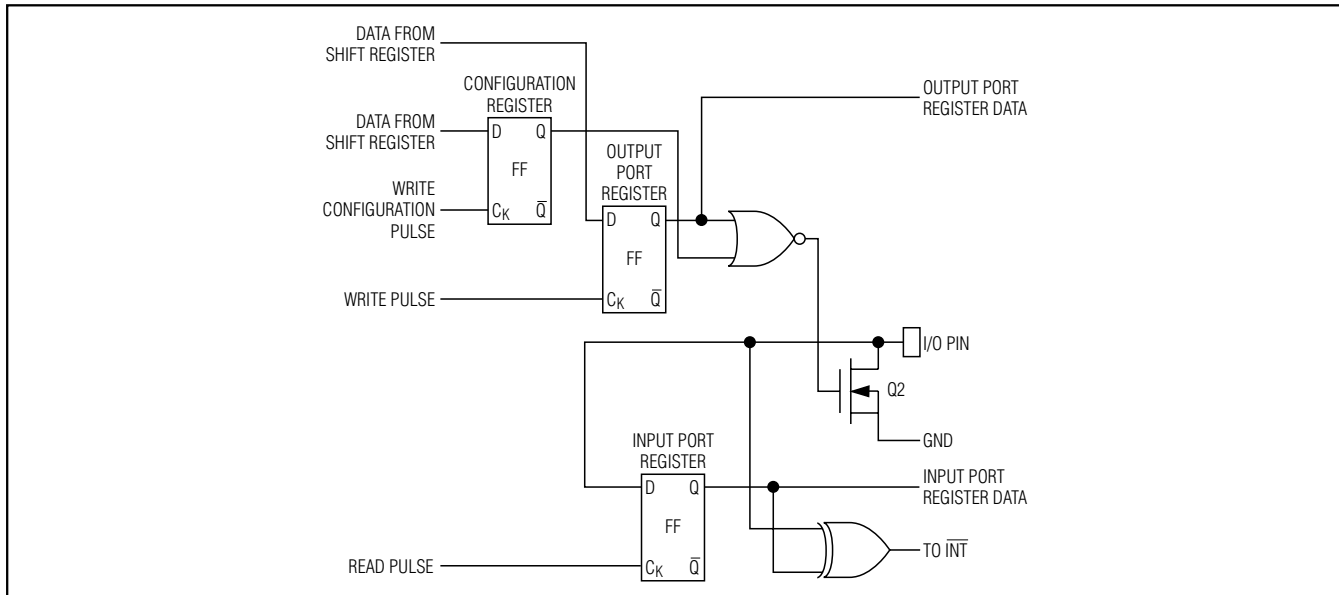


Figure 1. Simplified Schematic of I/O Ports

Functional Overview

The MAX7314 is a general-purpose input/output (GPIO) peripheral that provides 16 I/O ports, P0–P15, controlled through an I²C-compatible serial interface. A 17th output-only port, $\overline{\text{INT}}/\text{O16}$, can be configured as an interrupt output or as a general-purpose output port.

All output ports sink loads up to 50mA connected to external supplies up to 5.5V, independent of the MAX7314's supply voltage. The MAX7314 is rated for a ground current of 350mA, allowing all 17 outputs to sink 20mA at the same time. Figure 1 shows the output structure of the MAX7314. The ports default to inputs on power-up.

18-Port GPIO with LED Intensity Control, Interrupt, and Hot-Insertion Protection

Port Inputs and Transition Detection

Input ports registers reflect the incoming logic levels of the port pins, regardless of whether the pin is defined as an input or an output. Reading an input ports register latches the current-input logic level of the affected eight ports. Transition detection allows all ports configured as inputs to be monitored for changes in their logic status. The action of reading an input ports register samples the corresponding 8 port bits' input condition. This sample is continuously compared with the actual input conditions. A detected change in input condition causes the $\overline{\text{INT}}/\text{O16}$ interrupt output to go low, if configured as an interrupt output. The interrupt is cleared either automatically if the changed input returns to its original state, or when the appropriate input ports register is read.

The $\overline{\text{INT}}/\text{O16}$ pin can be configured as either an interrupt output or as a 17th output port with the same static or blink controls as the other 16 ports (Table 4).

Port Output Control and LED Blinking

The two blink phase 0 registers set the output logic levels of the 16 ports P0–P15 (Table 8). These registers control the port outputs if the blink function is disabled. A duplicate pair of registers, the blink phase 1 registers, are also used if the blink function is enabled (Table 9). In blink mode, the port outputs can be flipped between using the blink phase 0 registers and the blink phase 1 registers using hardware control (the BLINK input) and/or software control (the blink flip flag in the configuration register) (Table 4). The logic level of the BLINK input can be read back through the blink status bit in the configuration register (Table 4). The BLINK input, therefore, can be used as a general-purpose logic input (GPI port) if the blink function is not required.

PWM Intensity Control

The MAX7314 includes an internal oscillator, nominally 32kHz, to generate PWM timing for LED intensity control. PWM intensity control can be enabled on an output-by-output basis, allowing the MAX7314 to provide any mix of PWM LED drives and glitch-free logic outputs (Table 10). PWM can be disabled entirely, in which case all output ports are static and the MAX7314 operating current is lowest because the internal oscillator is turned off.

PWM intensity control uses a 4-bit master control and 4 bits of individual control per output (Tables 13, 14). The 4-bit master control provides 16 levels of overall intensity control, which applies to all PWM-enabled output ports. The master control sets the maximum pulse width from 1/15 to 15/15 of the PWM time period. The individual settings comprise a 4-bit number, further reducing the duty cycle to be from 1/16 to 15/16 of the time window set by the master control.

For applications requiring the same PWM setting for all output ports, a single global PWM control can be used instead of all the individual controls to simplify the control software and provide 240 steps of intensity control (Tables 10 and 13).

Standby Mode

When the serial interface is idle and the PWM intensity control is unused, the MAX7314 automatically enters standby mode. If the PWM intensity control is used, the operating current is slightly higher because the internal PWM oscillator is running. When the serial interface is active, the operating current also increases because the MAX7314, like all I²C slaves, has to monitor every transmission.

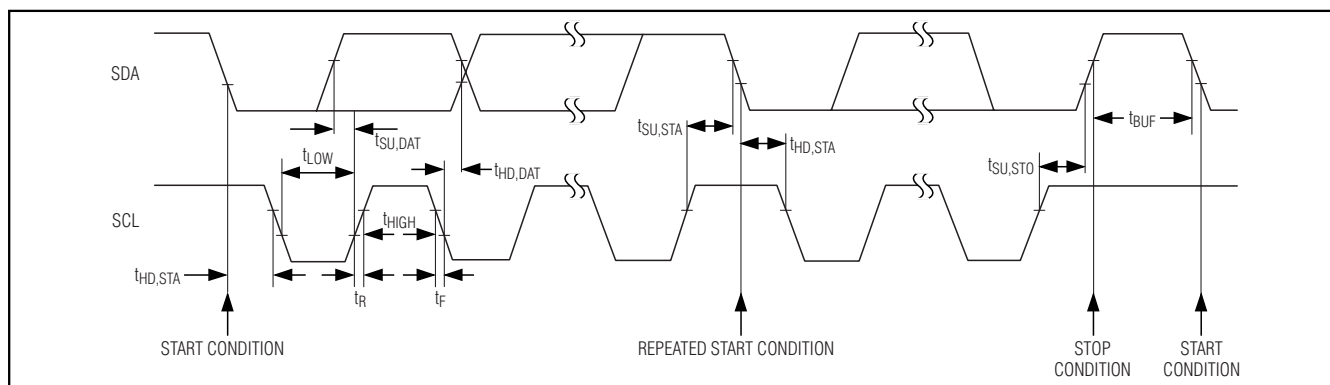


Figure 2. 2-Wire Serial Interface Timing Details

18-Port GPIO with LED Intensity Control, Interrupt, and Hot-Insertion Protection

Serial Interface

Serial Addressing

The MAX7314 operates as a slave that sends and receives data through an I²C-compatible 2-wire interface. The interface uses a serial data line (SDA) and a serial clock line (SCL) to achieve bidirectional communication between master(s) and slave(s). A master (typically a microcontroller) initiates all data transfers to and from the MAX7314 and generates the SCL clock that synchronizes the data transfer (Figure 2).

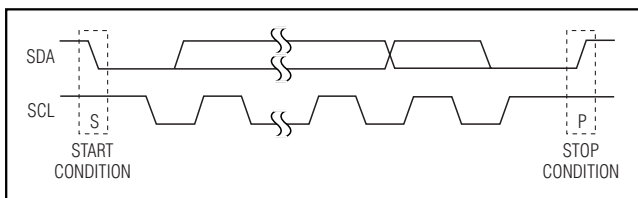


Figure 3. Start and Stop Conditions

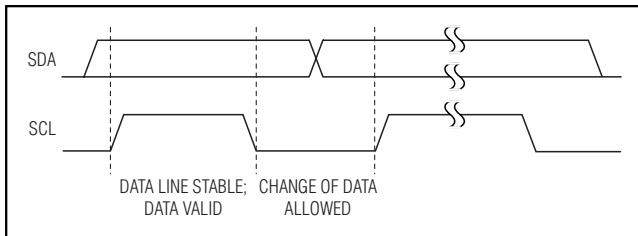


Figure 4. Bit Transfer

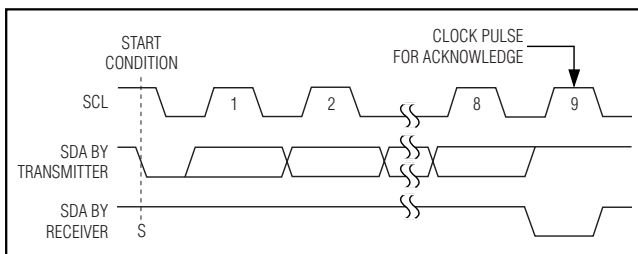


Figure 5. Acknowledge

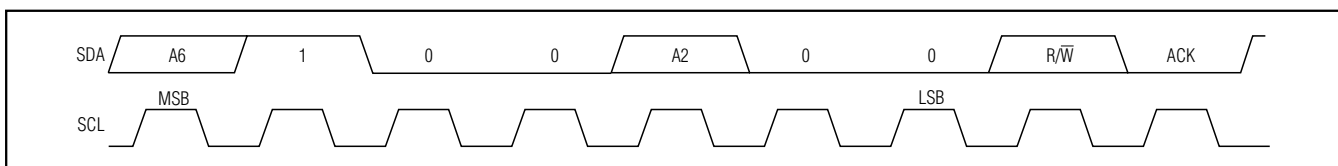


Figure 6. Slave Address

The MAX7314 SDA line operates as both an input and an open-drain output. A pullup resistor, typically 4.7k Ω , is required on the SDA. The MAX7314 SCL line operates only as an input. A pullup resistor, typically 4.7k Ω , is required on SCL if there are multiple masters on the 2-wire interface, or if the master in a single-master system has an open-drain SCL output.

Each transmission consists of a START condition (Figure 3) sent by a master, followed by the MAX7314 7-bit slave address plus R/W bit, a register address byte, one or more data bytes, and finally a STOP condition (Figure 3).

Start and Stop Conditions

Both SCL and SDA remain high when the interface is not busy. A master signals the beginning of a transmission with a START (S) condition by transitioning SDA from high to low while SCL is high. When the master has finished communicating with the slave, it issues a STOP (P) condition by transitioning SDA from low to high while SCL is high. The bus is then free for another transmission (Figure 3).

Bit Transfer

One data bit is transferred during each clock pulse. The data on SDA must remain stable while SCL is high (Figure 4).

Acknowledge

The acknowledge bit is a clocked 9th bit that the recipient uses to handshake receipt of each byte of data (Figure 5). Thus, each byte transferred effectively requires 9 bits. The master generates the 9th clock pulse, and the recipient pulls down SDA during the acknowledge clock pulse so the SDA line is stable low during the high period of the clock pulse. When the master is transmitting to the MAX7314, the device generates the acknowledge bit because the MAX7314 is the recipient. When the MAX7314 is transmitting to the master, the master generates the acknowledge bit because the master is the recipient.

Slave Address

The MAX7314 has a 7-bit long slave address (Figure 6). The eighth bit following the 7-bit slave address is the R/W bit. The R/W bit is low for a write command, high for a read command.

18-Port GPIO with LED Intensity Control, Interrupt, and Hot-Insertion Protection

The second (A5), third (A4), fourth (A3), sixth (A1), and last (A0) bits of the MAX7314 slave address are always 1, 0, 0, 0, and 0. Slave address bits A6 and A2 are selected by the address input AD0. AD0 can be connected to GND, V+, SDA, or SCL. The MAX7314 has four possible slave addresses (Table 1), and therefore a maximum of four MAX7314 devices can be controlled independently from the same interface.

Table 1. MAX7314 Address Map

| PIN AD0 | DEVICE ADDRESS | | | | | | |
|---------|----------------|----|----|----|----|----|----|
| | A6 | A5 | A4 | A3 | A2 | A1 | A0 |
| SCL | 1 | 1 | 0 | 0 | 0 | 0 | 0 |
| SDA | 1 | 1 | 0 | 0 | 1 | 0 | 0 |
| GND | 0 | 1 | 0 | 0 | 0 | 0 | 0 |
| V+ | 0 | 1 | 0 | 0 | 1 | 0 | 0 |

Message Format for Writing the MAX7314

A write to the MAX7314 comprises the transmission of the MAX7314's slave address with the R/W bit set to zero, followed by at least 1 byte of information. The first byte of information is the command byte. The command byte determines which register of the MAX7314 is to be written to by the next byte, if received (Table 2). If a STOP condition is detected after the command byte is received, then the MAX7314 takes no further action beyond storing the command byte.

Any bytes received after the command byte are data bytes. The first data byte goes into the internal register of the MAX7314 selected by the command byte (Figure 8). If multiple data bytes are transmitted before a STOP condition is detected, these bytes are generally stored in subsequent MAX7314 internal registers because the command byte address autoincrements (Table 2). A diagram of a write to the output ports registers (blink phase 0 registers or blink phase 1 registers) is given in Figure 10.

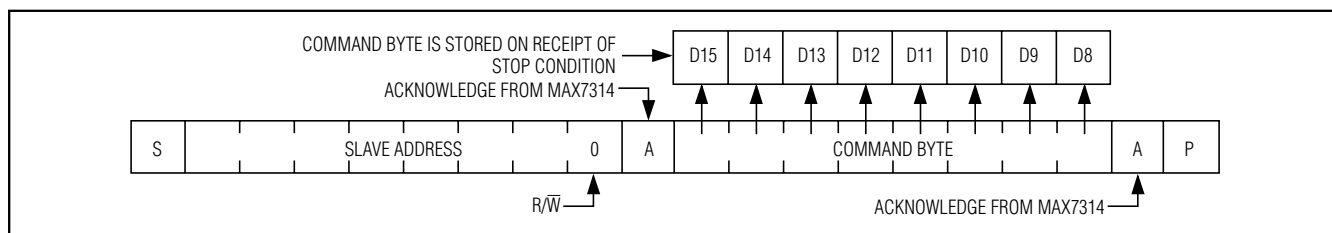


Figure 7. Command Byte Received

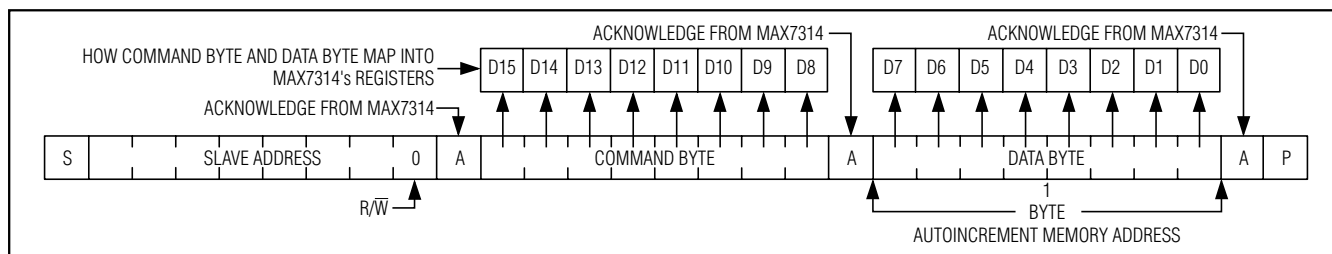


Figure 8. Command and Single Data Byte Received

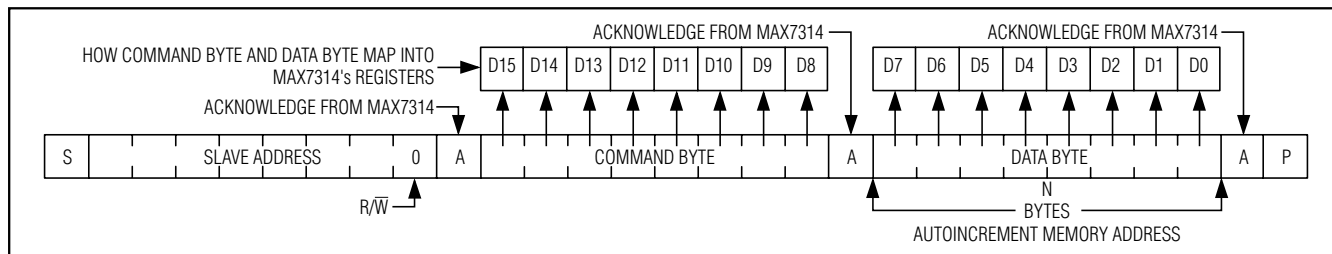


Figure 9. n Data Bytes Received

18-Port GPIO with LED Intensity Control, Interrupt, and Hot-Insertion Protection

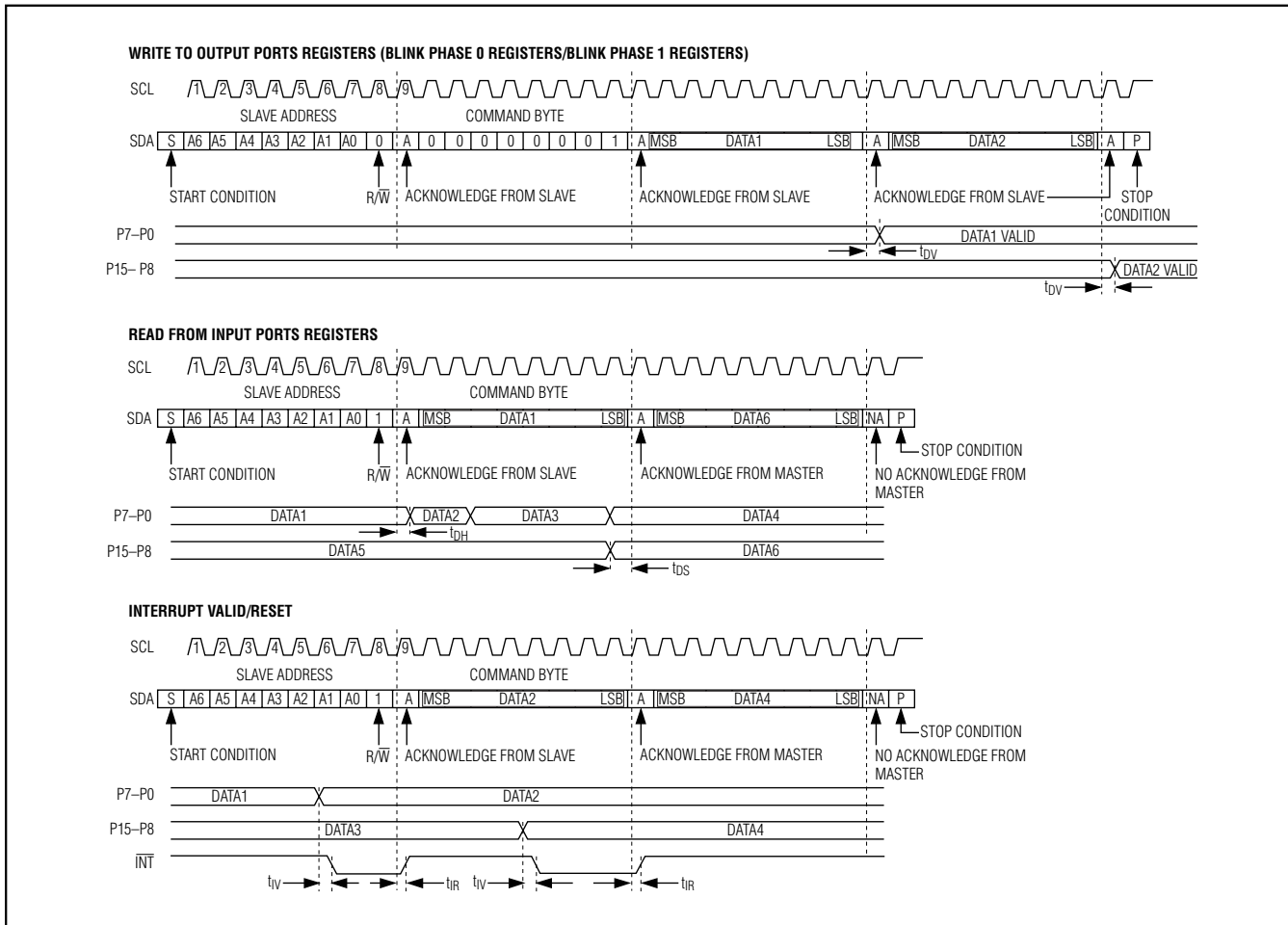


Figure 10. Read, Write, and Interrupt Timing Diagrams

Message Format for Reading

The MAX7314 is read using the MAX7314's internally stored command byte as an address pointer the same way the stored command byte is used as an address pointer for a write. The pointer autoincrements after each data byte is read using the same rules as for a write (Table 2). Thus, a read is initiated by first configuring the MAX7314's command byte by performing a write (Figure 7). The master can now read n consecutive bytes from the MAX7314 with the first data byte being read from the register addressed by the initialized command byte. When performing read-after-write verification, remember to reset the command byte's address because the stored command byte address has been autoincremented after the write (Table 2). A diagram of a read from the input ports registers is shown in Figure 10 reflecting the states of the ports.

Operation with Multiple Masters

If the MAX7314 is operated on a 2-wire interface with multiple masters, a master reading the MAX7314 should use a repeated start between the write, which sets the MAX7314's address pointer, and the read(s) that takes the data from the location(s) (Table 2). This is because it is possible for master 2 to take over the bus after master 1 has set up the MAX7314's address pointer but before master 1 has read the data. If master 2 subsequently changes the MAX7314's address pointer, then master 1's delayed read can be from an unexpected location.

Command Address Autoincrementing

The command address stored in the MAX7314 circulates around grouped register functions after each data byte is written or read (Table 2).

18-Port GPIO with LED Intensity Control, Interrupt, and Hot-Insertion Protection

Table 2. Register Address Map

| REGISTER | ADDRESS CODE (hex) | AUTOINCREMENT ADDRESS |
|-------------------------------------|--------------------|-----------------------|
| Read input ports P7–P0 | 0x00 | 0x01 |
| Read input ports P15–P8 | 0x01 | 0x00 |
| Blink phase 0 outputs P7–P0 | 0x02 | 0x03 |
| Blink phase 0 outputs P15–P8 | 0x03 | 0x02 |
| Ports configuration P7–P0 | 0x06 | 0x07 |
| Ports configuration P15–P8 | 0x07 | 0x06 |
| Blink phase 1 outputs P7–P0 | 0x0A | 0x0B |
| Blink phase 1 outputs P15–P8 | 0x0B | 0x0A |
| Master, O16 intensity Configuration | 0x0E | 0x0E (no change) |
| | 0x0F | 0x0F (no change) |
| Outputs intensity P1, P0 | 0x10 | 0x11 |
| Outputs intensity P3, P2 | 0x11 | 0x12 |
| Outputs intensity P5, P4 | 0x12 | 0x13 |
| Outputs intensity P7, P6 | 0x13 | 0x14 |
| Outputs intensity P9, P8 | 0x14 | 0x15 |
| Outputs intensity P11, P10 | 0x15 | 0x16 |
| Outputs intensity P13, P12 | 0x16 | 0x17 |
| Outputs intensity P15, P14 | 0x17 | 0x10 |

Device Reset

The reset input \overline{RST} is an active-low input. When taken low, \overline{RST} clears any transaction to or from the MAX7314 on the serial interface and configures the internal registers to the same state as a power-up reset (Table 3), which resets all ports as inputs. The MAX7314 then waits for a START condition on the serial interface.

Detailed Description

Initial Power-Up

On power-up, and whenever the \overline{RST} input is pulled low, all control registers are reset and the MAX7314 enters standby mode (Table 3). Power-up status makes all ports into inputs and disables both the PWM oscillator and blink functionality. \overline{RST} can be used as a hardware shutdown input, which effectively turns off any LED (or other) loads and puts the device into its lowest power condition.

Configuration Register

The configuration register is used to configure the PWM intensity mode, interrupt, and blink behavior, operate the $\overline{INT}/O16$ output, and read back the interrupt status (Table 4).

Ports Configuration

The 16 I/O ports P0 through P15 can be configured to any combination of inputs and outputs using the ports configuration registers (Table 5). The $\overline{INT}/O16$ output can also be configured as an extra general-purpose output, and the BLINK input can be configured as an extra general-purpose input using the configuration register (Table 4).

Input Ports

The input ports registers are read only (Table 6). They reflect the incoming logic levels of the ports, regardless of whether the port is defined as an input or an output by the ports configuration registers. Reading an input ports register latches the current-input logic level of the affected eight ports. A write to an input ports register is ignored.

18-Port GPIO with LED Intensity Control, Interrupt, and Hot-Insertion Protection

Table 3. Power-Up Configuration

| REGISTER FUNCTION | POWER-UP CONDITION | ADDRESS CODE (hex) | REGISTER DATA | | | | | | | |
|------------------------------|--|--------------------|---------------|----|----|----|----|----|----|----|
| | | | D7 | D6 | D5 | D4 | D3 | D2 | D1 | D0 |
| Blink phase 0 outputs P7–P0 | High-impedance outputs | 0x02 | 1 | 1 | 1 | 1 | 1 | 1 | 1 | 1 |
| Blink phase 0 outputs P15–P8 | High-impedance outputs | 0x03 | 1 | 1 | 1 | 1 | 1 | 1 | 1 | 1 |
| Ports configuration P7–P0 | Ports P7–P0 are inputs | 0x06 | 1 | 1 | 1 | 1 | 1 | 1 | 1 | 1 |
| Ports configuration P15–P8 | Ports P15–P8 are inputs | 0x07 | 1 | 1 | 1 | 1 | 1 | 1 | 1 | 1 |
| Blink phase 1 outputs P7–P0 | High-impedance outputs | 0x0A | 1 | 1 | 1 | 1 | 1 | 1 | 1 | 1 |
| Blink phase 1 outputs P15–P8 | High-impedance outputs | 0x0B | 1 | 1 | 1 | 1 | 1 | 1 | 1 | 1 |
| Master, O16 intensity | PWM oscillator is disabled; O16 is static logic output | 0x0E | 0 | 0 | 0 | 0 | 1 | 1 | 1 | 1 |
| Configuration | $\overline{\text{INT}}$ /O16 is interrupt output; blink is disabled; global intensity is enabled | 0x0F | 0 | 0 | 0 | 0 | 1 | 1 | 0 | 0 |
| Outputs intensity P1, P0 | P1, P0 are static logic outputs | 0x10 | 1 | 1 | 1 | 1 | 1 | 1 | 1 | 1 |
| Outputs Intensity P3, P2 | P3, P2 are static logic outputs | 0x11 | 1 | 1 | 1 | 1 | 1 | 1 | 1 | 1 |
| Outputs intensity P5, P4 | P5, P4 are static logic outputs | 0x12 | 1 | 1 | 1 | 1 | 1 | 1 | 1 | 1 |
| Outputs intensity P7, P6 | P7, P6 are static logic outputs | 0x13 | 1 | 1 | 1 | 1 | 1 | 1 | 1 | 1 |
| Outputs intensity P9, P8 | P9, P8 are static logic outputs | 0x14 | 1 | 1 | 1 | 1 | 1 | 1 | 1 | 1 |
| Outputs intensity P11, P10 | P11, P10 are static logic outputs | 0x15 | 1 | 1 | 1 | 1 | 1 | 1 | 1 | 1 |
| Outputs intensity P13, P12 | P13, P12 are static logic outputs | 0x16 | 1 | 1 | 1 | 1 | 1 | 1 | 1 | 1 |
| Outputs intensity P15, P14 | P15, P14 are static logic outputs | 0x17 | 1 | 1 | 1 | 1 | 1 | 1 | 1 | 1 |

Transition Detection

All ports configured as inputs are always monitored for changes in their logic status. The action of reading an input ports register or writing to the configuration register samples the corresponding 8 port bits' input condition (Tables 4, 6). This sample is continuously compared with the actual input conditions. A detected change in input condition causes an interrupt condition. The interrupt is cleared either automatically if the changed input returns to its original state, or when the appropriate input ports register is read, updating the compared data (Figure 10). Randomly changing a port from an output to an input may cause a false interrupt to occur if the state of the input does not match the content of the appropriate input ports register. The interrupt status is available as the interrupt flag $\overline{\text{INT}}$ in the configuration register (Table 4).

The input status of all ports is sampled immediately after power-up as part of the MAX7314's internal initialization, so if all the ports are pulled to valid logic levels at that time, an interrupt does not occur at power-up.

$\overline{\text{INT}}$ /O16 Output

The $\overline{\text{INT}}$ /O16 output pin can be configured as either the $\overline{\text{INT}}$ output that reflects the interrupt flag logic state or as a general-purpose output O16. When used as a general-purpose output, the $\overline{\text{INT}}$ /O16 pin has the same blink and PWM intensity control capabilities as the other ports.

Set the interrupt enable I bit in the configuration register to configure $\overline{\text{INT}}$ /O16 as the $\overline{\text{INT}}$ output (Table 4). Clear interrupt enable to configure $\overline{\text{INT}}$ /O16 as the O16. The O16 logic state is set by the 2 bits O1 and O0 in the configuration register. O16 follows the rules for blinking selected by the blink enable flag E in the configuration register. If blinking is disabled, then interrupt output control O0 alone sets the logic state of the $\overline{\text{INT}}$ /O16 pin. If blinking is enabled, then both interrupt output controls O0 and O1 set the logic state of the $\overline{\text{INT}}$ /O16 pin according to the blink phase. PWM intensity control for O16 is set by the 4 global intensity bits in the master and O16 intensity register (Table 13).

18-Port GPIO with LED Intensity Control, Interrupt, and Hot-Insertion Protection

Table 4. Configuration Register

| REGISTER | R/W | ADDRESS CODE (hex) | REGISTER DATA | | | | | | D1 | D0 |
|--|-----|--------------------|-------------------------|---------------------|--|-------------------------|-------------------------|-------------------|---------------------|----------|
| | | | D7 | D6 | D5 | D4 | D3 | D2 | | |
| CONFIGURATION | | 0x0F | INTERRUPT STATUS | BLINK STATUS | INTERRUPT OUTPUT CONTROL AS GPO | INTERRUPT ENABLE | GLOBAL INTENSITY | BLINK FLIP | BLINK ENABLE | |
| Write device configuration | 0 | | INT | BLINK | O1 | O0 | I | G | B | E |
| Read back device configuration | 1 | | X | X | X | X | X | X | X | 0 |
| Disable blink | — | | X | X | X | X | X | X | X | 1 |
| Enable blink | — | | X | X | X | X | X | X | 0 | 1 |
| Flip blink register (see text) | — | | X | X | X | X | X | X | 1 | 1 |
| Disable global intensity control—intensity is set by registers 0x10–0x17 for ports P0 through P15 when configured as outputs, and by D3–D0 of register 0x0E for INT/O16 when INT/O16 pin is configured as an output port | — | | X | X | X | X | X | 0 | X | X |
| Enable global intensity control—intensity for all ports configured as outputs is set by D3–D0 of register 0x0E | — | | X | X | X | X | X | 1 | X | X |
| Disable data change interrupt—INT/O16 output is controlled by the O0 and O1 bits | — | | X | X | X | X | 0 | X | X | X |
| Enable data change interrupt—INT/O16 output is controlled by port input data change | — | | X | X | X | X | 1 | X | X | X |
| INT/O16 output is low (blink is disabled) | — | | X | X | X | 0 | 0 | X | X | 0 |
| INT/O16 output is high impedance (blink is disabled) | — | | X | X | X | 1 | 0 | X | X | 0 |
| INT/O16 output is low during blink phase 0 | — | | X | X | X | 0 | 0 | X | X | 1 |
| INT/O16 output is high impedance during blink phase 0 | — | | X | X | X | 1 | 0 | X | X | 1 |
| INT/O16 output is low during blink phase 1 | — | | X | X | 0 | X | 0 | X | X | 1 |
| INT/O16 output is high impedance during blink phase 1 | — | | X | X | 1 | X | 0 | X | X | 1 |

X = Don't care.

18-Port GPIO with LED Intensity Control, Interrupt, and Hot-Insertion Protection

Table 4. Configuration Register (continued)

| REGISTER | R/W | ADDRESS CODE (hex) | REGISTER DATA | | | | | | | |
|--|-----|--------------------|-------------------------|--------------|---------------------------------|------------------|------------------|------------|--------------|----|
| | | | D7 | D6 | D5 | D4 | D3 | D2 | D1 | D0 |
| CONFIGURATION | | 0x0F | INTERRUPT STATUS | BLINK STATUS | INTERRUPT OUTPUT CONTROL AS GPO | INTERRUPT ENABLE | GLOBAL INTENSITY | BLINK FLIP | BLINK ENABLE | |
| Write device configuration | 0 | | $\overline{\text{INT}}$ | BLINK | O1 | O0 | I | G | B | E |
| Read back device configuration | 1 | | | | | | | | | |
| Read back BLINK input pin status—input is low | 1 | | X | 0 | X | X | X | X | X | X |
| Read back BLINK input pin status—input is high | 1 | | X | 1 | X | X | X | X | X | X |
| Read back data change interrupt status—data change is not detected, and $\overline{\text{INT}}$ /O16 output is high when interrupt enable (I bit) is set | 1 | | 0 | X | X | X | X | X | X | X |
| Read back data change interrupt status—data change is detected, and $\overline{\text{INT}}$ /O16 output is low when interrupt enable (I bit) is set | 1 | | 1 | X | X | X | X | X | X | X |

X = Don't care.

Blink Mode

In blink mode, the output ports can be flipped between using either the blink phase 0 registers or the blink phase 1 registers. Flip control is both hardware (the BLINK input) and software control (the blink flip flag B in the configuration register) (Table 4).

The blink function can be used for LED effects by programming different display patterns in the two sets of output port registers, and using the software or hardware controls to flip between the patterns.

If the blink phase 1 registers are written with 0xFF, then the BLINK input can be used as a hardware disable to, for example, instantly turn off an LED pattern programmed into the blink phase 0 registers. This technique can be further extended by driving the BLINK input with a PWM signal to modulate the LED current to provide fading effects.

The blink mode is enabled by setting the blink enable flag E in the configuration register (Table 4). When blink mode is enabled, the states of the blink flip flag and the BLINK input are EXOR'ed to set the phase, and the output ports are set by either the blink phase 0 registers or the blink phase 1 registers (Figure 11) (Table 7).

The blink mode is disabled by clearing the blink enable flag E in the configuration register (Table 4). When blink mode is disabled, the state of the blink flip flag is ignored, and the blink phase 0 registers alone control the output ports.

Blink Phase Registers

When the blink function is disabled, the two blink phase 0 registers set the logic levels of the 16 ports (P0 through P15) when configured as outputs (Table 8). A duplicate pair of registers called the blink phase 1 registers are also used if the blink function is enabled (Table 9). A logic high sets the appropriate output port high impedance, while a logic low makes the port go low.

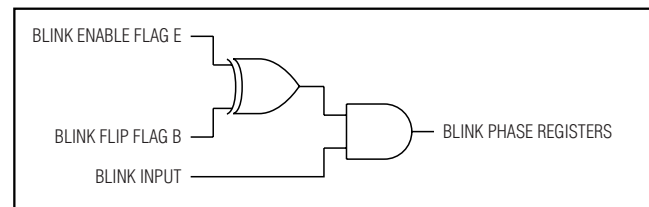


Figure 11. Blink Logic

18-Port GPIO with LED Intensity Control, Interrupt, and Hot-Insertion Protection

Table 5. Ports Configuration Registers

| REGISTER | R/W | ADDRESS CODE (hex) | REGISTER DATA | | | | | | | |
|---|-----|--------------------|---------------|------|------|------|------|------|-----|-----|
| | | | D7 | D6 | D5 | D4 | D3 | D2 | D1 | D0 |
| Ports configuration P7–P0 (1 = input, 0 = output) | 0 | 0x06 | OP7 | OP6 | OP5 | OP4 | OP3 | OP2 | OP1 | OP0 |
| Read back ports configuration P7–P0 | 1 | | | | | | | | | |
| Ports configuration P15–P8 (1 = input, 0 = output) | 0 | 0x07 | OP15 | OP14 | OP13 | OP12 | OP11 | OP10 | OP9 | OP8 |
| Read back ports configuration P15–P8 | 1 | | | | | | | | | |

Table 6. Input Ports Registers

| REGISTER | R/W | ADDRESS CODE (hex) | REGISTER DATA | | | | | | | |
|-------------------------|-----|--------------------|---------------|------|------|------|------|------|-----|-----|
| | | | D7 | D6 | D5 | D4 | D3 | D2 | D1 | D0 |
| Read input ports P7–P0 | 1 | 0x00 | IP7 | IP6 | IP5 | IP4 | IP3 | IP2 | IP1 | IP0 |
| Read input ports P15–P8 | 1 | 0x01 | IP15 | IP14 | IP13 | IP12 | IP11 | IP10 | IP9 | IP8 |

Table 7. Blink Logic

| BLINK ENABLE FLAG E | BLINK FLIP FLAG B | BLINK INPUT PIN | BLINK FLIP FLAG EXOR BLINK INPUT PIN | BLINK FUNCTION | OUTPUT REGISTERS USED |
|---------------------|-------------------|-----------------|--------------------------------------|----------------|-------------------------|
| 0 | X | X | X | Disabled | Blink phase 0 registers |
| 1 | 0 | 0 | 0 | Enabled | Blink phase 0 registers |
| | 0 | 1 | 1 | | Blink phase 1 registers |
| | 1 | 0 | 1 | | Blink phase 1 registers |
| | 1 | 1 | 0 | | Blink phase 0 registers |

Reading a blink phase register reads the value stored in the register, not the actual port condition. The port output itself may or may not be at a valid logic level, depending on the external load connected.

The 17th output, O16, is controlled through 2 bits in the configuration register, which provide the same static or blink control as the other 16 output ports.

PWM Intensity Control

The MAX7314 includes an internal oscillator, nominally 32kHz, to generate PWM timing for LED intensity control or other applications such as PWM trim DACs. PWM can be disabled entirely for all the outputs. In this case, all outputs are static and the MAX7314 operating current is lowest because the internal PWM oscillator is turned off.

The MAX7314 can be configured to provide any combination of PWM outputs and glitch-free logic outputs. Each PWM output has an individual 4-bit intensity control (Table 14). When all outputs are to be used with the same PWM setting, the outputs can be controlled together instead using the global intensity control (Table 13). Table 10 shows how to set up the MAX7314 to suit a particular application.

PWM Timing

The PWM control uses a 240-step PWM period, divided into 15 master intensity timeslots. Each master intensity timeslot is divided further into 16 PWM cycles (Figure 12).

The master intensity operates as a gate, allowing the individual output settings to be enabled from 1 to 15 timeslots per PWM period (Figures 13, 14, 15) (Table 13).

18-Port GPIO with LED Intensity Control, Interrupt, and Hot-Insertion Protection

Table 8. Blink Phase 0 Registers

| REGISTER | R/W | ADDRESS CODE (hex) | REGISTER DATA | | | | | | | |
|----------------------------------|-----|--------------------|---------------|------|------|------|------|------|-----|-----|
| | | | D7 | D6 | D5 | D4 | D3 | D2 | D1 | D0 |
| Write outputs P7–P0 phase 0 | 0 | 0x02 | OP7 | OP6 | OP5 | OP4 | OP3 | OP2 | OP1 | OP0 |
| Read back outputs P7–P0 phase 0 | 1 | | | | | | | | | |
| Write outputs P15–P8 phase 0 | 0 | 0x03 | OP15 | OP14 | OP13 | OP12 | OP11 | OP10 | OP9 | OP8 |
| Read back outputs P15–P8 phase 0 | 1 | | | | | | | | | |

Table 9. Blink Phase 1 Registers

| REGISTER | R/W | ADDRESS CODE (hex) | REGISTER DATA | | | | | | | |
|----------------------------------|-----|--------------------|---------------|------|------|------|------|------|-----|-----|
| | | | D7 | D6 | D5 | D4 | D3 | D2 | D1 | D0 |
| Write outputs P7–P0 phase 1 | 0 | 0x0A | OP7 | OP6 | OP5 | OP4 | OP3 | OP2 | OP1 | OP0 |
| Read back outputs P7–P0 phase 1 | 1 | | | | | | | | | |
| Write outputs P15–P8 phase 1 | 0 | 0x0B | OP15 | OP14 | OP13 | OP12 | OP11 | OP10 | OP9 | OP8 |
| Read back outputs P15–P8 phase 1 | 1 | | | | | | | | | |

Each output's individual 4-bit intensity control only operates during the number of timeslots gated by the master intensity. The individual controls provide 16 intensity settings from 1/16 through 16/16 (Table 14).

Figures 16, 17, and 18 show examples of individual intensity control settings. The highest value an individual or global setting can be set to is 16/16. This setting forces the output to ignore the master control, and follow the logic level set by the appropriate blink phase register bit. The output becomes a glitch-free static output with no PWM.

Using PWM Intensity Controls with Blink Disabled

When blink is disabled (Table 7), the blink phase 0 registers specify each output's logic level during the PWM on-time (Table 8). The effect of setting an output's blink phase 0 register bit to zero or 1 is shown in Table 11. With its output bit set to zero, an LED can be controlled with 16 intensity settings from 1/16th duty through fully on, but cannot be turned fully off using the PWM intensity control. With its output bit set to 1, an LED can be controlled with 16 intensity settings from fully off through 15/16th duty.

Using PWM Intensity Controls with Blink Enabled

When blink is enabled (Table 7), the blink phase 0 registers and blink phase 1 registers specify each output's logic level during the PWM on-time during the respective blink phases (Tables 8 and 9). The effect of setting an output's blink phase x register bit to zero or 1 is shown in Table 12. LEDs can be flipped between either directly on and off, or between a variety of high/low PWM intensities.

Global/O16 Intensity Control

The 4 bits used for output O16's PWM individual intensity setting also double as the global intensity control (Table 13). Global intensity simplifies the PWM settings when the application requires them all to be the same, such as for backlight applications, by replacing the 17 individual settings with 1 setting. Global intensity is enabled with the global intensity flag G in the configuration register (Table 4). When global PWM control is used, the 4 bits of master intensity and 4 bits of global intensity effectively combine to provide an 8-bit, 240-step intensity control applying to all outputs.

It is not possible to apply global PWM control to a subset of the ports, and use the others as logic outputs. To mix static logic outputs and PWM outputs, individual PWM control must be selected (Table 10).

18-Port GPIO with LED Intensity Control, Interrupt, and Hot-Insertion Protection

Table 10. PWM Application Scenarios

| APPLICATION | RECOMMENDED CONFIGURATION |
|--|--|
| All outputs static without PWM | Set the master, O16 intensity register 0x0E to any value 0x00 to 0x0F. The global intensity G bit in the configuration register is don't care. The output intensity registers 0x10 through 0x17 are don't care. |
| A mix of static and PWM outputs, with PWM outputs using different PWM settings | Set the master and global intensity register 0x0E to any value from 0x10 to 0xFF. Clear global intensity G bit to zero in the configuration register to disable global intensity control. For the static outputs, set the output intensity value to 0xF. For the PWM outputs, set the output intensity value in the 0x0 to 0xE range. |
| A mix of static and PWM outputs, with PWM outputs all using the same PWM setting | As above. Global intensity control cannot be used with a mix of static and PWM outputs, so write the individual intensity registers with the same PWM value. |
| All outputs PWM using the same PWM setting | Set the master, O16 intensity register 0x0E to any value from 0x10 to 0xFF. Set global intensity G bit to 1 in the configuration register to enable global intensity control. The master, O16 intensity register 0x0E is the only intensity register used. The output intensity registers 0x10 through 0x17 are don't care. |

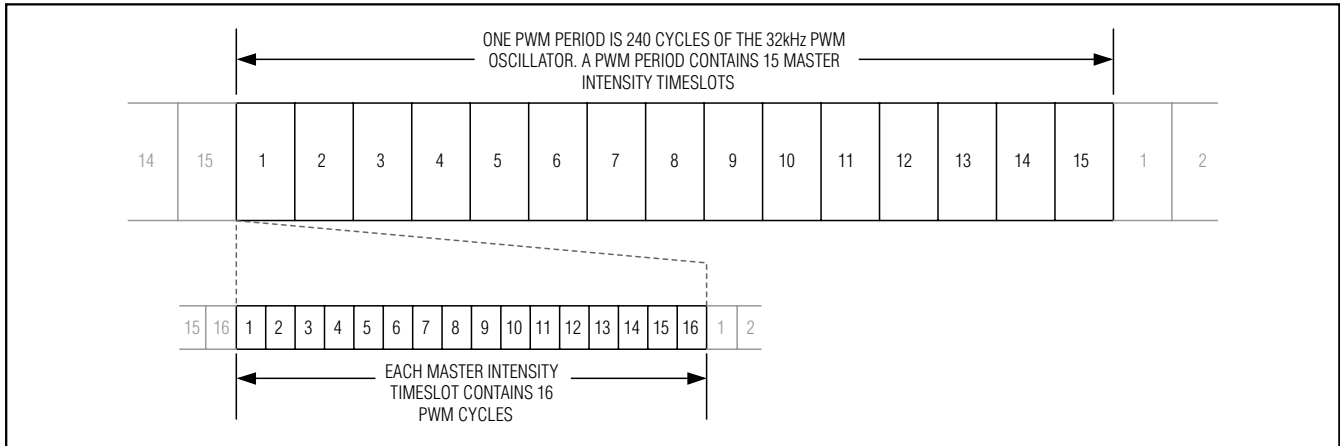


Figure 12. PWM Timing

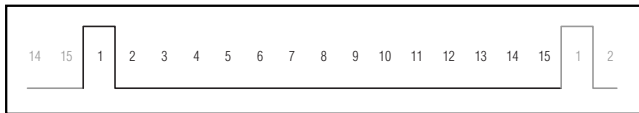


Figure 13. Master Set to 1/15

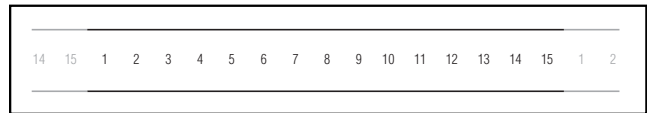


Figure 15. Master Set to 15/15

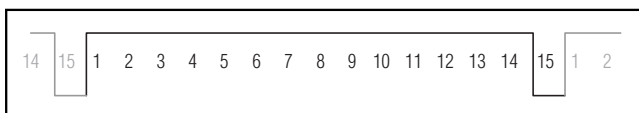


Figure 14. Master Set to 14/15

18-Port GPIO with LED Intensity Control, Interrupt, and Hot-Insertion Protection

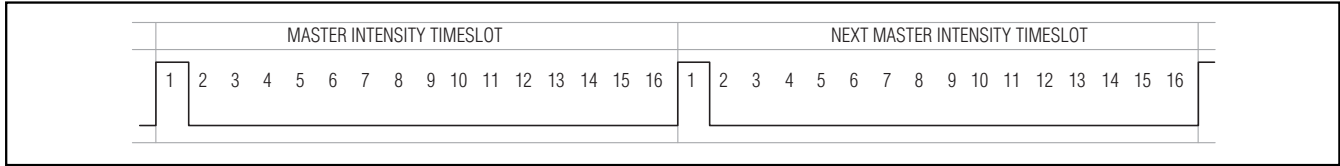


Figure 16. Individual (or Global) Set to 1/16

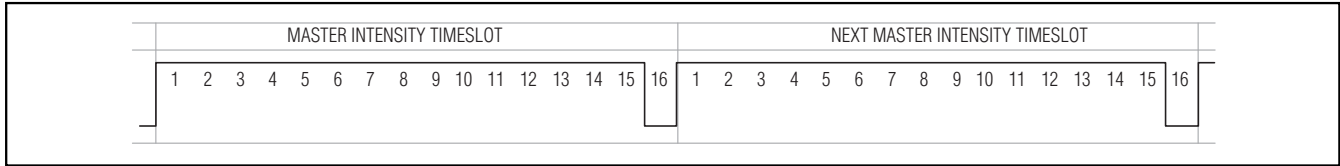


Figure 17. Individual (or Global) Set to 15/16

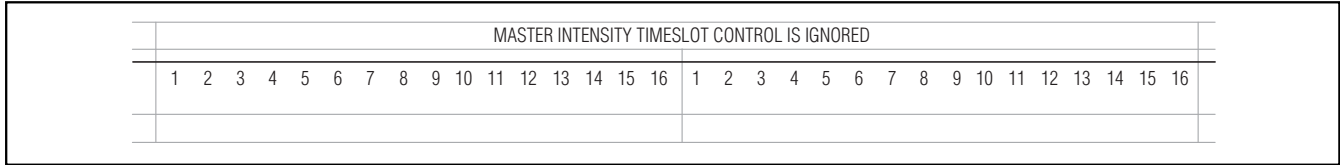


Figure 18. Individual (or Global) Set to 16/16

Table 11. PWM Intensity Settings (Blink Disabled)

| OUTPUT (OR GLOBAL) INTENSITY SETTING | PWM DUTY CYCLE OUTPUT BLINK PHASE 0 REGISTER BIT = 0 | | LED BEHAVIOR WHEN OUTPUT BLINK PHASE 0 REGISTER BIT = 0 (LED IS ON WHEN OUTPUT IS LOW) | PWM DUTY CYCLE OUTPUT BLINK PHASE 0 REGISTER = 1 | | LED BEHAVIOR WHEN OUTPUT BLINK PHASE 0 REGISTER BIT = 1 (LED IS ON WHEN OUTPUT IS LOW) |
|--|--|------------|--|--|-----------------------|--|
| | LOW TIME | HIGH TIME | | LOW TIME | HIGH TIME | |
| 0x0 | 1/16 | 15/16 | Lowest PWM intensity | 15/16 | 1/16 | Highest PWM intensity |
| 0x1 | 2/16 | 14/16 | ← Increasing PWM intensity | 14/16 | 2/16 | Increasing PWM intensity → |
| 0x2 | 3/16 | 13/16 | | 13/16 | 3/16 | |
| 0x3 | 4/16 | 12/16 | | 12/16 | 4/16 | |
| 0x4 | 5/16 | 11/16 | | 11/16 | 5/16 | |
| 0x5 | 6/16 | 10/16 | | 10/16 | 6/16 | |
| 0x6 | 7/16 | 9/16 | | 9/16 | 7/16 | |
| 0x7 | 8/16 | 8/16 | | 8/16 | 8/16 | |
| 0x8 | 9/16 | 7/16 | | 7/16 | 9/16 | |
| 0x9 | 10/16 | 6/16 | | 6/16 | 10/16 | |
| 0xA | 11/16 | 5/16 | | 5/16 | 11/16 | |
| 0xB | 12/16 | 4/16 | | 4/16 | 12/16 | |
| 0xC | 13/16 | 3/16 | | 3/16 | 13/16 | |
| 0xD | 14/16 | 2/16 | | 2/16 | 14/16 | |
| 0xE | 15/16 | 1/16 | | Highest PWM intensity | 1/16 | |
| 0xF | Static low | Static low | Full intensity, no PWM (LED on continuously) | Static high impedance | Static high impedance | LED off continuously |

18-Port GPIO with LED Intensity Control, Interrupt, and Hot-Insertion Protection

Table 12. PWM Intensity Settings (Blink Enabled)

| OUTPUT (OR GLOBAL) INTENSITY SETTING | PWM DUTY CYCLE OUTPUT BLINK PHASE X REGISTER BIT = 0 | | PWM DUTY CYCLE OUTPUT BLINK PHASE X REGISTER = 1 | | EXAMPLES OF LED BLINK BEHAVIOR (LED IS ON WHEN OUTPUT IS LOW) | |
|--|---|--------------|---|-----------------------|---|---|
| | LOW TIME | HIGH TIME | LOW TIME | HIGH TIME | BLINK PHASE 0 REGISTER BIT = 0 | BLINK PHASE 0 REGISTER BIT = 1 |
| | | | | | BLINK PHASE 1 REGISTER BIT = 1 | BLINK PHASE 1 REGISTER BIT = 0 |
| 0x0 | 1/16 | 15/16 | 15/16 | 1/16 | Phase 0: LED on at low intensity Phase 1: LED on at high intensity | Phase 0: LED on at high intensity Phase 1: LED on at low intensity |
| 0x1 | 2/16 | 14/16 | 14/16 | 2/16 | | |
| 0x2 | 3/16 | 13/16 | 13/16 | 3/16 | | |
| 0x3 | 4/16 | 12/16 | 12/16 | 4/16 | | |
| 0x4 | 5/16 | 11/16 | 11/16 | 5/16 | | |
| 0x5 | 6/16 | 10/16 | 10/16 | 6/16 | | |
| 0x6 | 7/16 | 9/16 | 9/16 | 7/16 | | |
| 0x7 | 8/16 | 8/16 | 8/16 | 8/16 | Output is half intensity during both blink phases | |
| 0x8 | 9/16 | 7/16 | 7/16 | 9/16 | Phase 0: LED on at high intensity Phase 1: LED on at low intensity | Phase 0: LED on at low intensity Phase 1: LED on at high intensity |
| 0x9 | 10/16 | 6/16 | 6/16 | 10/16 | | |
| 0xA | 11/16 | 5/16 | 5/16 | 11/16 | | |
| 0xB | 12/16 | 4/16 | 4/16 | 12/16 | | |
| 0xC | 13/16 | 3/16 | 3/16 | 13/16 | | |
| 0xD | 14/16 | 2/16 | 2/16 | 14/16 | | |
| 0xE | 15/16 | 1/16 | 1/16 | 15/16 | | |
| 0xF | Static low | Static low | Static high impedance | Static high impedance | Phase 0: LED on continuously Phase 1: LED off continuously | Phase 0: LED off continuously Phase 1: LED on continuously |

Applications Information

Hot Insertion

I/O ports P0–P15, interrupt output $\overline{\text{INT}}/\text{O16}$, $\overline{\text{RST}}$ input, BLINK input, and serial interface SDA, SCL, ADO remain high impedance with up to 6V asserted on them when the MAX7314 is powered down ($V_+ = 0\text{V}$). The MAX7314 can therefore be used in hot-swap applications.

Output Level Translation

The open-drain output architecture allows the ports to level translate the outputs to higher or lower voltages than the MAX7314 supply. An external pullup resistor can be used on any output to convert the high-impedance logic-high condition to a positive voltage level. The resistor can be connected to any voltage up to 5.5V. For interfacing CMOS inputs, a pullup resistor value of 220k Ω is a good starting point. Use a lower resistance to improve noise immunity, in applications where power consumption is less critical, or where a faster rise time is needed for a given capacitive load.

Driving LED Loads

When driving LEDs, a resistor in series with the LED must be used to limit the LED current to no more than 50mA. Choose the resistor value according to the following formula:

$$R_{\text{LED}} = (V_{\text{SUPPLY}} - V_{\text{LED}} - V_{\text{OL}}) / I_{\text{LED}}$$

where:

R_{LED} is the resistance of the resistor in series with the LED (Ω).

V_{SUPPLY} is the supply voltage used to drive the LED (V).

V_{LED} is the forward voltage of the LED (V).

V_{OL} is the output low voltage of the MAX7314 when sinking I_{LED} (V).

I_{LED} is the desired operating current of the LED (A).

For example, to operate a 2.2V red LED at 14mA from a 5V supply, $R_{\text{LED}} = (5 - 2.2 - 0.25) / 0.014 = 182\Omega$.

18-Port GPIO with LED Intensity Control, Interrupt, and Hot-Insertion Protection

Table 13. Master, O16 Intensity Register

| REGISTER | R/W | ADDRESS CODE (hex) | REGISTER DATA | | | | | | | |
|---|-----|--------------------|-------------------------|----|----|----|----------------------|----|----|----|
| | | | D7 | D6 | D5 | D4 | D3 | D2 | D1 | D0 |
| MASTER AND GLOBAL INTENSITY | | 0X0E | MSB | | | | LSB | | | |
| | | | MASTER INTENSITY | | | | O16 INTENSITY | | | |
| Write master and global intensity | 0 | | M3 | M2 | M1 | M0 | G3 | G2 | G1 | G0 |
| Read back master and global intensity | 1 | | 0 | 0 | 0 | 0 | — | — | — | — |
| Master intensity duty cycle is 0/15 (off); internal oscillator is disabled; all outputs will be static with no PWM | — | | 0 | 0 | 0 | 1 | — | — | — | — |
| Master intensity duty cycle is 1/15 | — | | 0 | 0 | 1 | 0 | — | — | — | — |
| Master intensity duty cycle is 2/15 | — | | 0 | 0 | 1 | 1 | — | — | — | — |
| Master intensity duty cycle is 3/15 | — | | — | — | — | — | — | — | — | — |
| — | — | | 1 | 1 | 0 | 1 | — | — | — | — |
| Master intensity duty cycle is 13/15 | — | | 1 | 1 | 1 | 0 | — | — | — | — |
| Master intensity duty cycle is 14/15 | — | | 1 | 1 | 1 | 1 | — | — | — | — |
| Master intensity duty cycle is 15/15 (full) | — | | — | — | — | — | 0 | 0 | 0 | 0 |
| — | — | | — | — | — | — | 0 | 0 | 0 | 1 |
| O16 intensity duty cycle is 1/16 | — | | — | — | — | — | 0 | 0 | 1 | 0 |
| O16 intensity duty cycle is 2/16 | — | | — | — | — | — | — | — | — | — |
| O16 intensity duty cycle is 3/16 | — | | — | — | — | — | 1 | 1 | 0 | 1 |
| — | — | | — | — | — | — | 1 | 1 | 1 | 0 |
| O16 intensity duty cycle is 14/16 | — | | — | — | — | — | 1 | 1 | 1 | 1 |
| O16 intensity duty cycle is 15/16 | — | | — | — | — | — | — | — | — | — |
| O16 intensity duty cycle is 16/16 (static output, no PWM) | — | | — | — | — | — | 1 | 1 | 1 | 1 |

18-Port GPIO with LED Intensity Control, Interrupt, and Hot-Insertion Protection

MAX7314

Table 14. Output Intensity Registers

| REGISTER | R/W | ADDRESS CODE (hex) | REGISTER DATA | | | | | | | |
|--|-----|--------------------|--------------------------------|------|------|------|--------------------------------|------|------|------|
| | | | D7 | D6 | D5 | D4 | D3 | D2 | D1 | D0 |
| OUTPUTS P1, P0 INTENSITY | | 0x10 | MSB OUTPUT P1 INTENSITY | | | | LSB OUTPUT P0 INTENSITY | | | |
| Write output P1, P0 intensity | 0 | | P1I3 | P1I2 | P1I1 | P1I0 | P0I3 | P0I2 | P0I1 | P0I0 |
| Read back output P1, P0 intensity | 1 | | 0 | 0 | 0 | 0 | — | — | — | — |
| Output P1 intensity duty cycle is 1/16 | — | | 0 | 0 | 0 | 1 | — | — | — | — |
| Output P1 intensity duty cycle is 2/16 | — | | 0 | 0 | 1 | 0 | — | — | — | — |
| Output P1 intensity duty cycle is 3/16 | — | | — | — | — | — | — | — | — | — |
| — | — | | — | — | — | — | — | — | — | — |
| Output P1 intensity duty cycle is 14/16 | — | | 1 | 1 | 0 | 1 | — | — | — | — |
| Output P1 intensity duty cycle is 15/16 | — | | 1 | 1 | 1 | 0 | — | — | — | — |
| Output P1 intensity duty cycle is 16/16 (static logic level, no PWM) | — | | 1 | 1 | 1 | 1 | — | — | — | — |
| — | — | | — | — | — | — | — | — | — | — |
| Output P0 intensity duty cycle is 1/16 | — | | — | — | — | — | 0 | 0 | 0 | 0 |
| Output P0 intensity duty cycle is 2/16 | — | | — | — | — | — | 0 | 0 | 0 | 1 |
| Output P0 intensity duty cycle is 3/16 | — | | — | — | — | — | 0 | 0 | 1 | 0 |
| — | — | | — | — | — | — | — | — | — | — |
| Output P0 intensity duty cycle is 14/16 | — | | — | — | — | — | 1 | 1 | 0 | 1 |
| Output P0 intensity duty cycle is 15/16 | — | — | — | — | — | 1 | 1 | 1 | 0 | |
| Output P0 intensity duty cycle is 16/16 (static logic level, no PWM) | — | — | — | — | — | 1 | 1 | 1 | 1 | |
| OUTPUTS P3, P2 INTENSITY | | 0x11 | MSB OUTPUT P3 INTENSITY | | | | LSB OUTPUT P2 INTENSITY | | | |
| Write output P3, P2 intensity | 0 | | P3I3 | P3I2 | P3I1 | P3I0 | P2I3 | P2I2 | P2I1 | P2I0 |
| Read back output P3, P2 intensity | 1 | | | | | | | | | |
| OUTPUTS P5, P4 INTENSITY | | 0x12 | MSB OUTPUT P5 INTENSITY | | | | LSB OUTPUT P4 INTENSITY | | | |
| Write output P5, P4 intensity | 0 | | P5I3 | P5I2 | P5I1 | P5I0 | P4I3 | P4I2 | P4I1 | P4I0 |
| Read back output P5, P4 intensity | 1 | | | | | | | | | |
| OUTPUTS P7, P6 INTENSITY | | 0x13 | MSB OUTPUT P7 INTENSITY | | | | LSB OUTPUT P6 INTENSITY | | | |
| Write output P7, P6 intensity | 0 | | P7I3 | P7I2 | P7I1 | P7I0 | P6I3 | P6I2 | P6I1 | P6I0 |
| Read back output P7, P6 intensity | 1 | | | | | | | | | |

18-Port GPIO with LED Intensity Control, Interrupt, and Hot-Insertion Protection

Table 14. Output Intensity Registers (continued)

| REGISTER | R/W | ADDRESS CODE (hex) | REGISTER DATA | | | | | | | |
|-------------------------------------|-----|--------------------|--|-------|-------|-------|----------------------|-------|-------|-------|
| | | | D7 | D6 | D5 | D4 | D3 | D2 | D1 | D0 |
| OUTPUTS P9, P8 INTENSITY | | 0x14 | MSB | | | | LSB | | | |
| | | | OUTPUT P9 INTENSITY | | | | OUTPUT P8 INTENSITY | | | |
| Write output P9, P8 intensity | 0 | | P9I3 | P9I2 | P9I1 | P9I0 | P8I3 | P8I2 | P8I1 | P8I0 |
| Read back output P9, P8 intensity | 1 | | | | | | | | | |
| OUTPUTS P11, P10 INTENSITY | | 0x15 | MSB | | | | LSB | | | |
| | | | OUTPUT P11 INTENSITY | | | | OUTPUT P10 INTENSITY | | | |
| Write output P11, P10 intensity | 0 | | P11I3 | P11I2 | P11I1 | P11I0 | P10I3 | P10I2 | P10I1 | P10I0 |
| Read back output P11, P10 intensity | 1 | | | | | | | | | |
| OUTPUTS P13, P12 INTENSITY | | 0x16 | MSB | | | | LSB | | | |
| | | | OUTPUT P13 INTENSITY | | | | OUTPUT P12 INTENSITY | | | |
| Write output P13, P12 intensity | 0 | | P13I3 | P13I2 | P13I1 | P13I0 | P12I3 | P12I2 | P12I1 | P12I0 |
| Read back output P13, P12 intensity | 1 | | | | | | | | | |
| OUTPUTS P15, P14 INTENSITY | | 0x17 | MSB | | | | LSB | | | |
| | | | OUTPUT P15 INTENSITY | | | | OUTPUT P14 INTENSITY | | | |
| Write output P15, P14 intensity | 0 | | P15I3 | P15I2 | P15I1 | P15I0 | P14I3 | P14I2 | P14I1 | P14I0 |
| Read back output P15, P14 intensity | 1 | | | | | | | | | |
| OUTPUT O16 INTENSITY | | | See master, O16 intensity register (Table 13). | | | | | | | |

Driving Load Currents Higher than 50mA

The MAX7314 can be used to drive loads drawing more than 50mA, like relays and high-current white LEDs, by paralleling outputs. Use at least one output per 50mA of load current; for example, a 5V 330mW relay draws 66mA and needs two paralleled outputs to drive it. Ensure that the paralleled outputs chosen are controlled by the same blink phase register, i.e., select outputs from the P0 through P7 range, or the P8 through P15 range. This way, the paralleled outputs are turned on and off together. Do not use output O16 as part of a load-sharing design. O16 cannot be switched at the same time as any of the other outputs because it is controlled by a different register.

The MAX7314 must be protected from the negative voltage transient generated when switching off inductive loads, such as relays, by connecting a reverse-biased diode across the inductive load (Figure 19). The peak current through the diode is the inductive load's operating current.

Power-Supply Considerations

The MAX7314 operates with a power-supply voltage of 2V to 3.6V. Bypass the power supply to GND with at least 0.047μF as close to the device as possible. For the QFN version, connect the underside exposed pad to GND.

18-Port GPIO with LED Intensity Control, Interrupt, and Hot-Insertion Protection

Pin Configurations

MAX7314

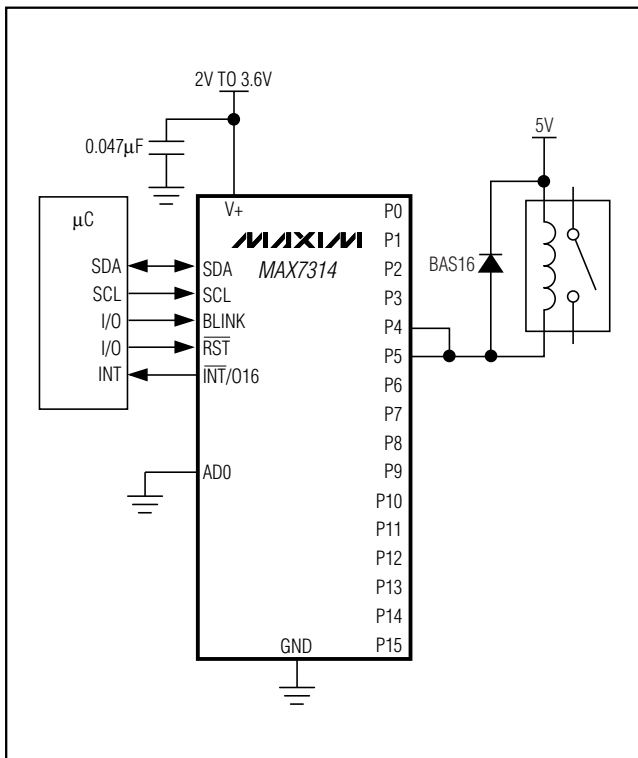
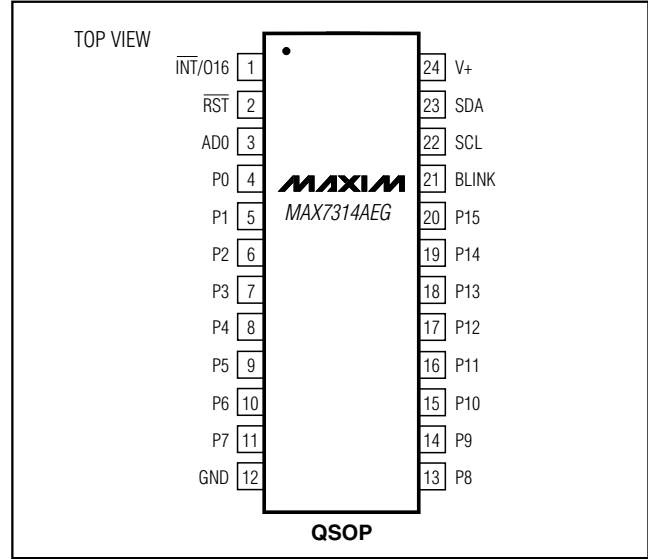
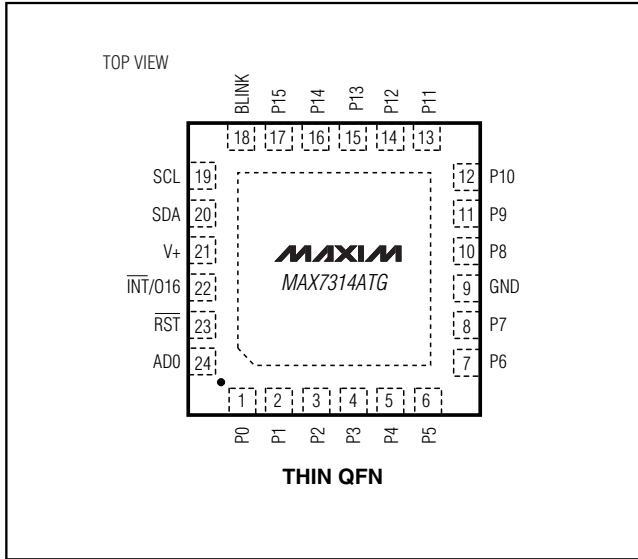


Figure 19. Diode-Protected Switching Inductive Load

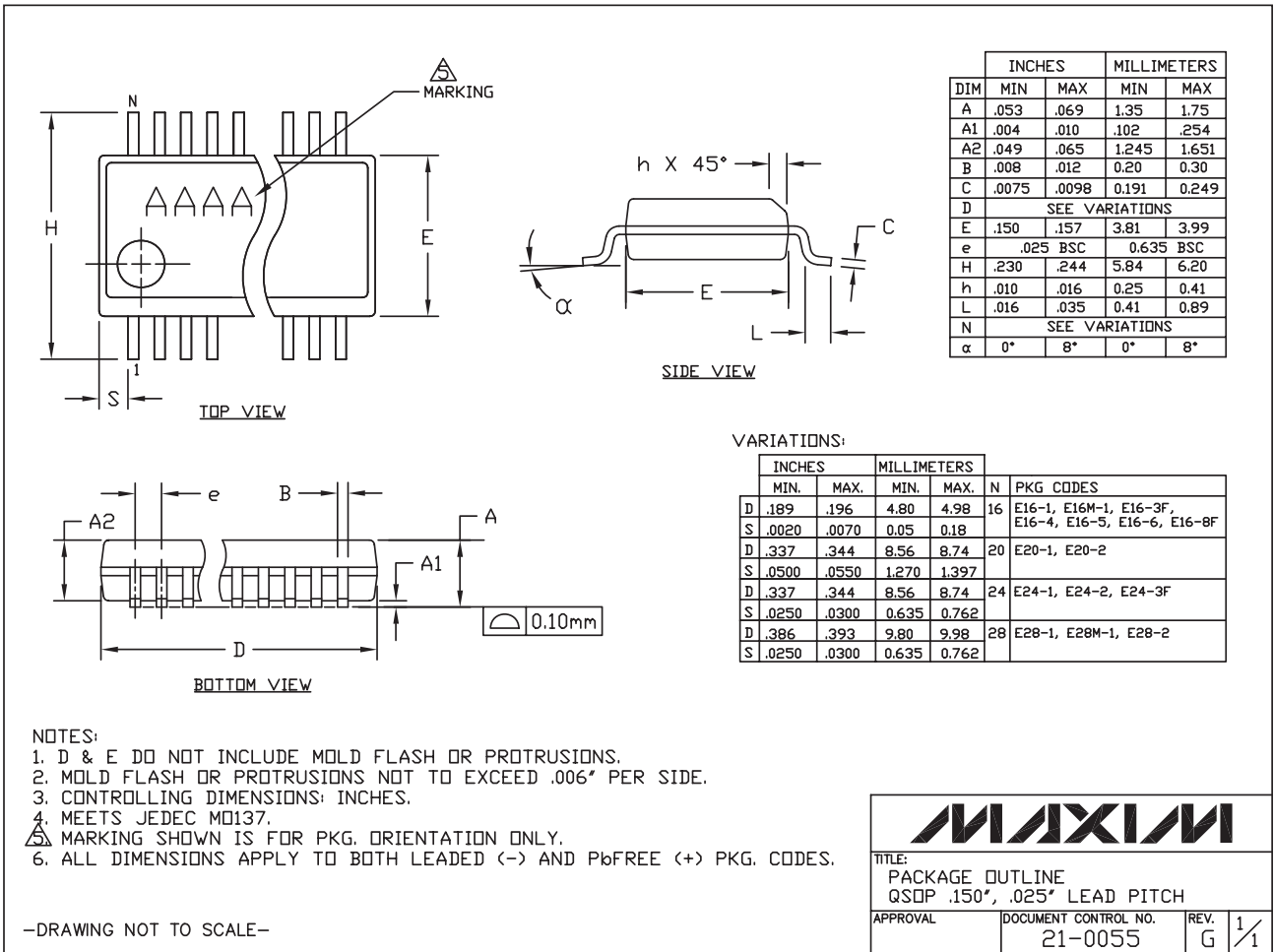
Chip Information

TRANSISTOR COUNT: 25,991
 PROCESS: BiCMOS

18-Port GPIO with LED Intensity Control, Interrupt, and Hot-Insertion Protection

Package Information

(The package drawing(s) in this data sheet may not reflect the most current specifications. For the latest package outline information, go to www.maxim-ic.com/packages.)

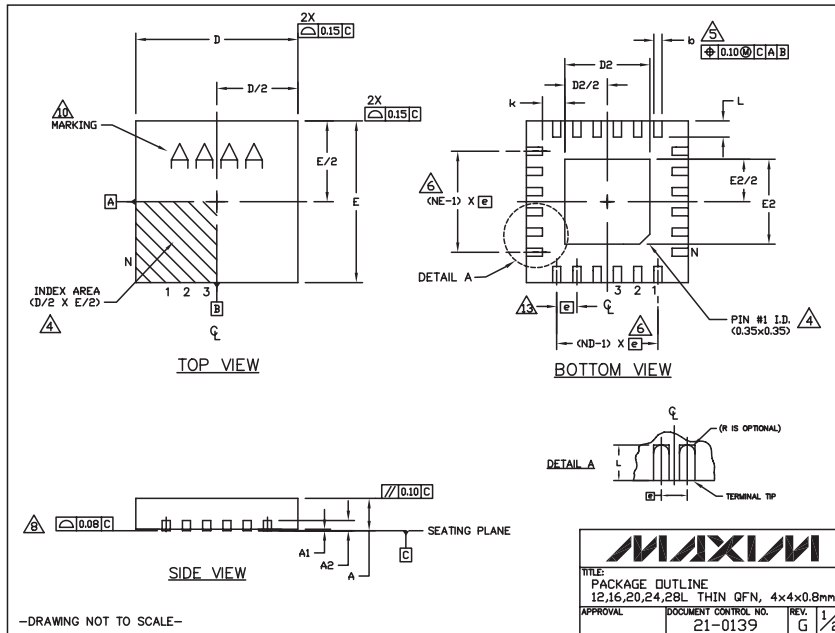


18-Port GPIO with LED Intensity Control, Interrupt, and Hot-Insertion Protection

Package Information (continued)

(The package drawing(s) in this data sheet may not reflect the most current specifications. For the latest package outline information, go to www.maxim-ic.com/packages.)

MAX7314



| COMMON DIMENSIONS | | | | | | | | | | | | | | | |
|---------------------------------|------------------|------|------|------------------|------|------|--------------------|------|------|--------------------|------|------|------------------|------|------|
| PKG REF. | 12L 4x4 | | | 16L 4x4 | | | 20L 4x4 | | | 24L 4x4 | | | 28L 4x4 | | |
| | MIN. | NDM. | MAX. | MIN. | NDM. | MAX. | MIN. | NDM. | MAX. | MIN. | NDM. | MAX. | MIN. | NDM. | MAX. |
| A | 0.70 | 0.75 | 0.80 | 0.70 | 0.75 | 0.80 | 0.70 | 0.75 | 0.80 | 0.70 | 0.75 | 0.80 | 0.70 | 0.75 | 0.80 |
| A1 | 0.0 | 0.02 | 0.05 | 0.0 | 0.02 | 0.05 | 0.0 | 0.02 | 0.05 | 0.0 | 0.02 | 0.05 | 0.0 | 0.02 | 0.05 |
| A2 | 0.20 REF. | | | 0.20 REF. | | | 0.20 REF. | | | 0.20 REF. | | | 0.20 REF. | | |
| b | 0.25 | 0.30 | 0.35 | 0.25 | 0.30 | 0.35 | 0.20 | 0.25 | 0.30 | 0.18 | 0.23 | 0.30 | 0.15 | 0.20 | 0.25 |
| D | 3.90 | 4.00 | 4.10 | 3.90 | 4.00 | 4.10 | 3.90 | 4.00 | 4.10 | 3.90 | 4.00 | 4.10 | 3.90 | 4.00 | 4.10 |
| E | 3.90 | 4.00 | 4.10 | 3.90 | 4.00 | 4.10 | 3.90 | 4.00 | 4.10 | 3.90 | 4.00 | 4.10 | 3.90 | 4.00 | 4.10 |
| e | 0.80 BSC. | | | 0.65 BSC. | | | 0.50 BSC. | | | 0.50 BSC. | | | 0.40 BSC. | | |
| k | 0.25 | - | - | 0.25 | - | - | 0.25 | - | - | 0.25 | - | - | 0.25 | - | - |
| L | 0.45 | 0.55 | 0.65 | 0.45 | 0.55 | 0.65 | 0.45 | 0.55 | 0.65 | 0.30 | 0.40 | 0.50 | 0.30 | 0.40 | 0.50 |
| N | 12 | | | 16 | | | 20 | | | 24 | | | 28 | | |
| ND | 3 | | | 4 | | | 5 | | | 6 | | | 7 | | |
| NE | 3 | | | 4 | | | 5 | | | 6 | | | 7 | | |
| V _{gnd} V _g | V _{GGB} | | | V _{GGC} | | | V _{GGD-1} | | | V _{GGD-2} | | | V _{GGE} | | |

| EXPOSED PAD VARIATIONS | | | | | | | | | | | | |
|------------------------|------|------|------|------|------|------|--|--|--|--|--|--|
| PKG. CODES | D2 | | | E2 | | | | | | | | |
| | MIN. | NDM. | MAX. | MIN. | NDM. | MAX. | | | | | | |
| T1244-3 | 1.95 | 2.10 | 2.25 | 1.95 | 2.10 | 2.25 | | | | | | |
| T1244-4 | 1.95 | 2.10 | 2.25 | 1.95 | 2.10 | 2.25 | | | | | | |
| T1644-3 | 1.95 | 2.10 | 2.25 | 1.95 | 2.10 | 2.25 | | | | | | |
| T1644-4 | 1.95 | 2.10 | 2.25 | 1.95 | 2.10 | 2.25 | | | | | | |
| T2044-2 | 1.95 | 2.10 | 2.25 | 1.95 | 2.10 | 2.25 | | | | | | |
| T2044-3 | 1.95 | 2.10 | 2.25 | 1.95 | 2.10 | 2.25 | | | | | | |
| T2444-2 | 1.95 | 2.10 | 2.25 | 1.95 | 2.10 | 2.25 | | | | | | |
| T2444-3 | 2.45 | 2.60 | 2.63 | 2.45 | 2.60 | 2.63 | | | | | | |
| T2444-4 | 2.45 | 2.60 | 2.63 | 2.45 | 2.60 | 2.63 | | | | | | |
| T2844-1 | 2.50 | 2.60 | 2.70 | 2.50 | 2.60 | 2.70 | | | | | | |

NOTES:

- DIMENSIONING & TOLERANCING CONFORM TO ASME Y14.5M-1994.
- ALL DIMENSIONS ARE IN MILLIMETERS. ANGLES ARE IN DEGREES.
- N IS THE TOTAL NUMBER OF TERMINALS.
- THE TERMINAL #1 IDENTIFIER AND TERMINAL NUMBERING CONVENTION SHALL CONFORM TO JESD 95-1 SPP-012. DETAILS OF TERMINAL #1 IDENTIFIER ARE OPTIONAL, BUT MUST BE LOCATED WITHIN THE ZONE INDICATED. THE TERMINAL #1 IDENTIFIER MAY BE EITHER A MOLD OR MARKED FEATURE.
- DIMENSION b APPLIES TO METALLIZED TERMINAL AND IS MEASURED BETWEEN 0.25mm AND 0.30mm FROM TERMINAL TIP.
- ND AND NE REFER TO THE NUMBER OF TERMINALS ON EACH D AND E SIDE RESPECTIVELY.
- DEPULPATION IS POSSIBLE IN A SYMMETRICAL FASHION.
- COPLANARITY APPLIES TO THE EXPOSED HEAT SINK SLUG AS WELL AS THE TERMINALS.
- DRAWING CONFORMS TO JEDEC MO220, EXCEPT FOR T2444-3, T2444-4 AND T2844-1.
- MARKING IS FOR PACKAGE ORIENTATION REFERENCE ONLY.
- COPLANARITY SHALL NOT EXCEED 0.08mm.
- VARPAGE SHALL NOT EXCEED 0.10mm.
- LEAD CENTERLINES TO BE AT TRUE POSITION AS DEFINED BY BASIC DIMENSION 'e', ±0.05.
- NUMBER OF LEADS SHOWN ARE FOR REFERENCE ONLY.
- ALL DIMENSIONS ARE THE SAME FOR LEADED (-) & PbfREE (←) PACKAGE CODES.

MAXIM

TITLE: PACKAGE OUTLINE
12,16,20,24,28L THIN QFN, 4x4x0.8mm

APPROVAL: DOCUMENT CONTROL NO. 21-0139 REV. G 2/2

-DRAWING NOT TO SCALE-

Maxim cannot assume responsibility for use of any circuitry other than circuitry entirely embodied in a Maxim product. No circuit patent licenses are implied. Maxim reserves the right to change the circuitry and specifications without notice at any time.

Maxim Integrated Products, 120 San Gabriel Drive, Sunnyvale, CA 94086 408-737-7600 25

Компания «Океан Электроники» предлагает заключение долгосрочных отношений при поставках импортных электронных компонентов на взаимовыгодных условиях!

Наши преимущества:

- Поставка оригинальных импортных электронных компонентов напрямую с производств Америки, Европы и Азии, а так же с крупнейших складов мира;
- Широкая линейка поставок активных и пассивных импортных электронных компонентов (более 30 млн. наименований);
- Поставка сложных, дефицитных, либо снятых с производства позиций;
- Оперативные сроки поставки под заказ (от 5 рабочих дней);
- Экспресс доставка в любую точку России;
- Помощь Конструкторского Отдела и консультации квалифицированных инженеров;
- Техническая поддержка проекта, помощь в подборе аналогов, поставка прототипов;
- Поставка электронных компонентов под контролем ВП;
- Система менеджмента качества сертифицирована по Международному стандарту ISO 9001;
- При необходимости вся продукция военного и аэрокосмического назначения проходит испытания и сертификацию в лаборатории (по согласованию с заказчиком);
- Поставка специализированных компонентов военного и аэрокосмического уровня качества (Xilinx, Altera, Analog Devices, Intersil, Interpoint, Microsemi, Actel, Aeroflex, Peregrine, VPT, Syfer, Eurofarad, Texas Instruments, MS Kennedy, Miteq, Cobham, E2V, MA-COM, Hittite, Mini-Circuits, General Dynamics и др.);

Компания «Океан Электроники» является официальным дистрибьютором и эксклюзивным представителем в России одного из крупнейших производителей разъемов военного и аэрокосмического назначения «JONHON», а так же официальным дистрибьютором и эксклюзивным представителем в России производителя высокотехнологичных и надежных решений для передачи СВЧ сигналов «FORSTAR».



JONHON

«JONHON» (основан в 1970 г.)

Разъемы специального, военного и аэрокосмического назначения:

(Применяются в военной, авиационной, аэрокосмической, морской, железнодорожной, горно- и нефтедобывающей отраслях промышленности)

«FORSTAR» (основан в 1998 г.)

ВЧ соединители, коаксиальные кабели, кабельные сборки и микроволновые компоненты:

(Применяются в телекоммуникациях гражданского и специального назначения, в средствах связи, РЛС, а так же военной, авиационной и аэрокосмической отраслях промышленности).



Телефон: 8 (812) 309-75-97 (многоканальный)

Факс: 8 (812) 320-03-32

Электронная почта: ocean@oceanchips.ru

Web: <http://oceanchips.ru/>

Адрес: 198099, г. Санкт-Петербург, ул. Калинина, д. 2, корп. 4, лит. А