



Four Bi-Directional Channel Fiber Optic Media Converter

CTF-4G-4TXRX

FEATURES

- + Built around a rugged and high technology readiness level (TRL) quad channel bi-directional transceiver
 - Four copper to fiber transmitters/receivers
 - Four optical to copper transmitters/receivers
- + For use with the DVI interface, has optional receive equalization and transmit pre-emphasis CDR
- + Standard serial interface for built-in test interface
- + For DVI fiber repeating, a single product to convert from copper to fiber and from fiber to copper concurrently
 - Copper DVI input and output channels connect to unit via standard MIL-DTL-38999 connectors and high speed quadrax sockets
 - Fiber DVI input and output channels connect to unit via a standard MIL-DTL-38999 connector with M29504 fiber optic termini sockets
- + 28 V DC power input for low power operation on a standard MIL-DTL-38999 connector
- + Built upon Amphenol low risk and affordable CTF copper to fiber converter product line

CONTACT US:

Jared Sibrava

E-mail: jsibrava@amphenol-aao.com

Phone: 607-643-1845

OVERVIEW

The CTF-4G-4TXRX Media Converter is an integrated, standalone, convection cooled, and rugged fiber to copper and copper to fiber converter for use with Gigabit Ethernet, Fiber Channel, Infiniband, Digital Video Interface (DVI), and many other interfaces.

FIBER INTERFACE

The CTF-4G-4TXRX uses industry standard M29504/5 fiber termini.

COPPER INTERFACE

The Quadrax inputs can utilize Split-Pair Quadrax versus standard quadrax. The contacts are rated for 6.5Gbps versus 3.125Gbps

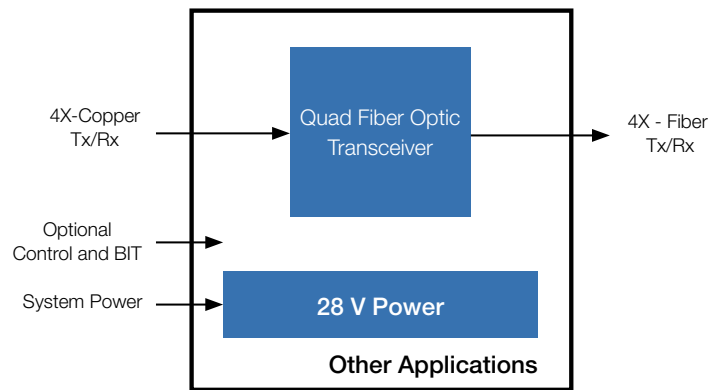
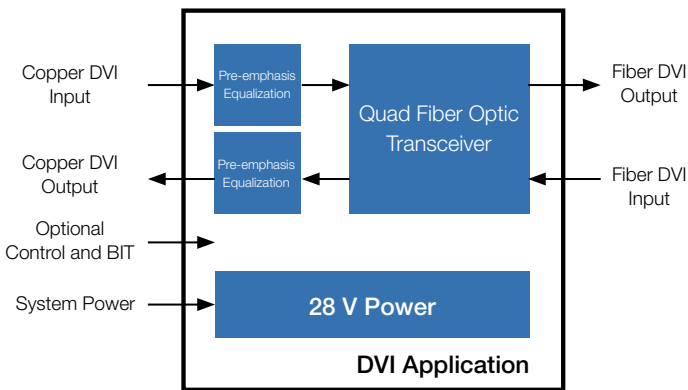
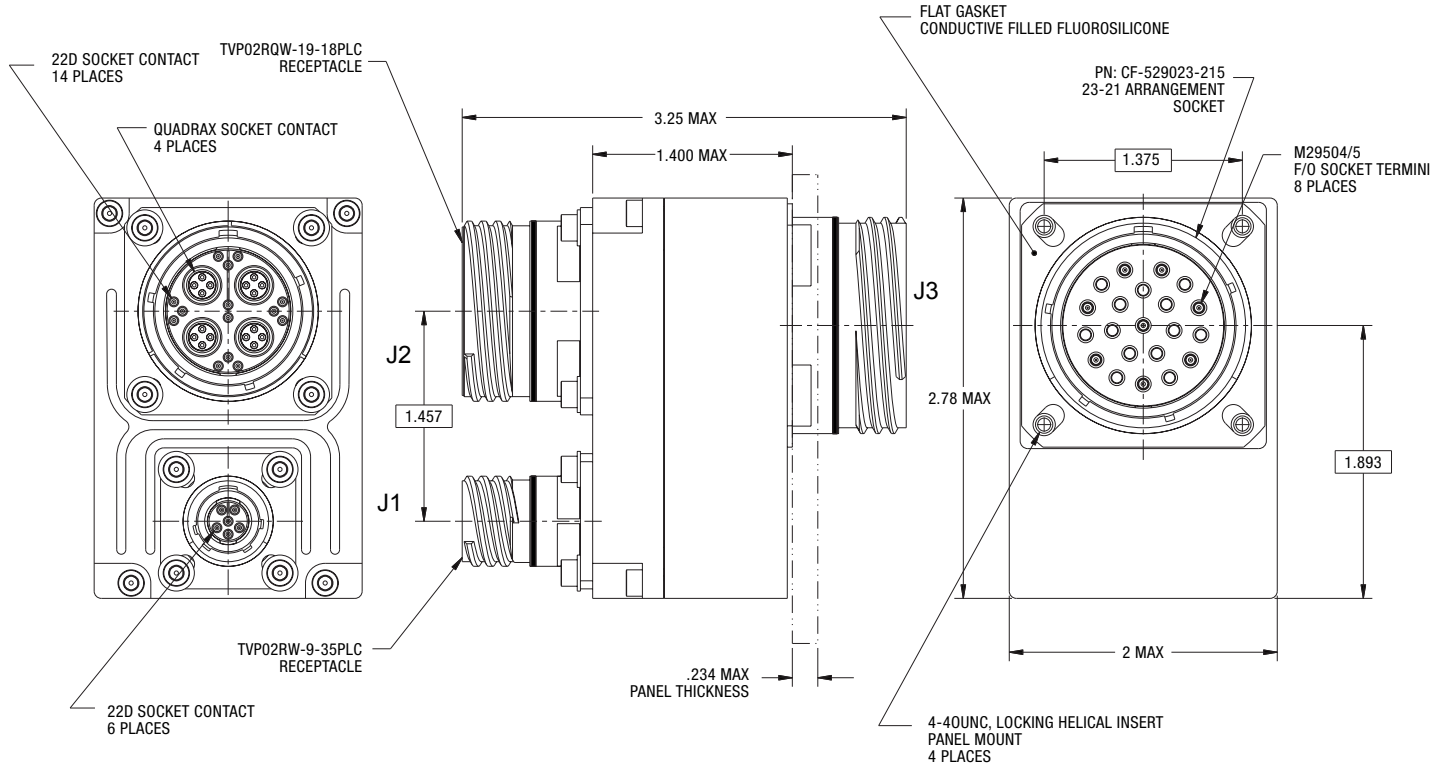
RUGGEDIZATION

The CTF-4G-4TXRX Media Converter is Natural convection cooled, so there is no fan. The operational temperature is -40°C to +85°C, and the converter is environmentally sealed.



Four Bi-Directional Channel Fiber Optic Media Converter CTF-4G-4TXRX

Drawing



CONTACT US:

Jared Sibrava

E-mail: jsibrava@amphenol-aa.com

Phone: 607-643-1845

How to Order

Ordering procedure is shown below using part number CTF-

1.	2.	3.	4.	5.	6.	7.	8.
Connector Type	Material	Quadrax Contact	Finish	Shell Style	Copper DVI Keying	Power Connector Keying	Fiber Connector Keying
CTF	-5	Q	Z	0	-A	B	C

Step 1. Connector Type

	Designates
CTF	Copper to Fiber Media Conversion Family

Step 2. Select a Material

	Designates
-5	Aluminum Shell
-6	Composite Shell
-8	Stainless Steel Shell

Step 3. Quadrax Configuration

	Designates
Q	3.125 GB Quadrax Sockets for copper DVI inputs and outputs
S	6.5 GB Split-Pair Quadrax Sockets

Step 4. Select a Finish

	Designates
T	Aluminum Durmalon
Z	Aluminum Black Zinc Nickel
F	Aluminum Electroless Nickel
M	Composite Electroless Nickel
W	Aluminum OD Cad
J	Composite OD Cad
L	Stainless Steel Electrodeposited Nickel
Y	Stainless Steel Passivated

Step 5. Select a Shell Style

	Designates
0	Wall Mount

Step 6. Select Copper DVI Connector Keying (IAW MIL-DTL-38999)

	Designates
N	N
A	A
B	B
C	C
D	D
E	E

Step 7. Select Power Connector Keying (IAW MIL-DTL-38999)

	Designates
N	N
A	A
B	B
C	C
D	D
E	E

Step 8. Select Fiber Connector Keying (IAW MIL-DTL-38999)

	Designates
N	N
A	A
B	B
C	C
D	D
E	E

Available Test Equipment

Part Number	Description
CF-901201-007	LC Fiber Optic Test Cable for D38999 Connector
CA-628485-A42	Power Test Cable for D38999 Power Connector
CA-628485-A43	High Speed Copper SMA Cable for D38999 Data Connector

CONTACT US:

Jared Sibrava

E-mail: jsibrava@amphenol-ao.com

Phone: 607-643-1845

Specifications

Absolute Maximum Ratings

Stress beyond the values stated below may cause permanent damage to the device.

Parameter	Symbol	Min	Max	Unit	Notes
Storage temperature	Tst	-55	+125	°C	-
Soldering temperature	Tsol	-	230	°C	-
Soldering Time	tsol	-	60	s	-
Supply voltage range	VcCTx, VCCRx	-0.3	+4.0	V	-
Signal pins voltage range	Vpin	V.EEX-0.3	V.ccx.+0.3	V	-
Differential input voltage	ΔV_{in}	-	1.2	V	-
Junction temperature	Tj	-	130	°C	-
ESD resistance voltage	ESD	-	1	KV	-

Module Specifications-General

Parameter	Symbol	Min	Typ	Max	Unit	Notes
Supply voltage	VccTx, VCCRx	3.0	3.3	3.6	V	-
Supply voltage noise	Nvccx	-	-	100	mV	-
Supply current (Tx + Rx)	Icc	-	275	300	mA	1
Power consumption (Tx + Rx)	P	-	900	1000	mW	1
Data Rate	B	0.001	2.5	3.125	Gbps	-
Operating temperature	Top	-40	-	+85	°C	2

CONTACT US:

Jared Sibrava

E-mail: jsibrava@amphenol-ao.com

Phone: 607-643-1845

Module Specifications-Electrical

Parameter	Symbol	Min	Typ	Max	Unit	Notes
Number of TX or Rx channels	Nch	2	-	4	-	-
Transmitter (one channel)						
Input voltage range	V _{IN}	V _{EE} + 0.825		V _{CC} +0.2	V	
Differential input voltage	V _{INpp}	100	-	950	mV	-
Input impedance	Z _{IN}	80	100	120	Ω	-
Input capacitance (each input)	C _{IN}	1.0	1.3	1.6	pF	-
Digital inputs	High	V _{high}	0.7xV _{CC}	-	V _{CC} +0.3	V
	Low	V _{low}	V _{EE} -0.3		0.3xV _{CC}	V
Tx supply current	I _{CC} Tx	-	150	160	mA	-
Receiver (one channel)						
Differential output voltage	V _{OUTp}	100	250	350	mV	-
Output impedance	Z _{out}	80	100	120	Ω	-
Output CML drive current	I _o	-	12	-	mA	
Average proportional photocurrent output	I _{avg}	0	-	160	μA	1,2
Total jitter receiver	T _{JRx}	-	60	150	ps	-
Rise/Fall Time	T _R Rx, T _F Rx	-	80	150	ps	3
Rx supply current	I _{CC} Rx	-	125	140	mA	-

Module Specifications-Optical

Parameter	Symbol	Min	Typ	Max	Unit	Notes
Transmitter (one channel)						
Center wavelength	λ _C	840	850	860	nm	-
Spectral width-rms	Δλ	-	-	0.85	nm	-
Core diameter of the Tx optical fiber pigtail	D _C	50	62.5	-	μm	-
Optical output power (average)	P _{out}	-5	-3	+1	dBm	1,2,3
Optical output power variation over the specified temperature range	ΔP _{out}	-	0.5	1	dB	3,4
Optical modulation amplitude	OMA _{Tx}	650	-	-	μW	-
Optical extinction ratio	E _R	7.0	9.0	-	dB	-
Relative intensity Noise	RIN	-	-	-117	dB/Hz	-
Total jitter		-	60	150	ps	-
Rise/Fall time	τ _R , τ _F	-	80	150	ps	5
Receiver (one channel)						
Center wavelength	λ _C	760	850	860	nm	-
Spectral width-rms	Δλ	-	-	1	nm	-
Core diameter of the Rx optical fiber pigtail	D _C	50	-	62.5	μm	-
Optical sensitivity	P _{in}	-21	-19	-17	dBm	6
Optical modulation amplitude	OMA _{Rx}	-	-	-	μW	-
Optical return loss	ORL	-30	-	-	dB	-

CONTACT US:

Jared Sibrava

E-mail: jsibrava@amphenol-ao.com

Phone: 607-643-1845

Overview

Amphenol integrated electronic products are designed and manufactured to our Ruggedization guidelines listed below. These guidelines ensure years of reliable operation in harsh environment applications where extreme operating temperatures, shock, vibration and corrosive atmospheres are regularly experienced

Temperature

- Operating Temperature - Thermal Cycles between -40°C and 85°C while device is operating
- Temperature is measured at chassis housing or card edge
- Storage Temperature - Thermal Cycles between -55°C and 125°C

Humidity

- Operating Humidity – Humidity cycle between 0-100% non-condensing humidity while device is operating
- Storage Humidity – Humidity cycle between 0-100% condensing humidity

Sealing

- Sealing can be optionally provided at the MIL-DTL-38999 interface with up to 10-5 cc/sec performance

Fluids Susceptibility

- MIL-DTL-38999 receptacle interface per EIA-364-10E

Vibration & Shock

- Sine Vibration – 10 g Peak, 5-2,000Hz
 - Based on a sine sweep duration of 10 minutes per axis in each of three mutually perpendicular axes. May be displacement limited from 5 to 44 Hz, depending on specific test.
- Random Vibration - 0.005@5Hz, 0.1@15Hz, 0.1@2,000Hz
 - 60 minutes per axis, in each of three mutually perpendicular axes.
- 40 G Peak Shock Cycle
 - Three hits in each axis, both directions, ½ sine and terminal-peak saw tooth, Total 36 hits.

Altitude

- -1,500 to 60,000 ft Altitude Testing w/ Rapid Depressurization

Electromagnetic Compatibility

- Designed to comply with MIL-STD-461E

Printed Circuit Board Assemblies

- Conformal Coat
 - Amphenol performs Conformal Coating to both sides of printed circuit board assemblies using HUMISEAL IB31 in accordance with IPC-610, Class 3.
- Printed Circuit Board Rigidity
 - Amphenol printed circuit boards are fabricated in accordance with IPC-6012, Class 3.
- Printed Circuit Board Fabrication
 - Amphenol printed circuit boards acceptance criteria is in accordance with IPC-610, Class 3.

Reliability Predictions (MTBF)

Amphenol can perform Mean Time Between Failure (MTBF) reliability analysis in full compliance with MIL-HDBK-217F-1 Parts Count Prediction and MIL-HDBK-217F-1 Parts Stress Analysis Prediction. We can also perform reliability analyses in full compliance of ANSI/VITA 51.1 if it is required or preferred over the later method.

CONTACT US:

Jared Sibrava

E-mail: jsibrava@amphenol-aa0.com

Phone: 607-643-1845

Notice: Specifications are subject to change without notice. Contact your nearest Amphenol Corporation Sales Office for the latest specifications. All statements, information and data given herein are believed to be accurate and reliable but are presented without guarantee, warranty, or responsibility of any kind, expressed or implied. Statements or suggestions concerning possible use of our products are made without representation or warranty that any such use is free of patent infringement and are not recommendations to infringe any patent. The user should assume that all safety measures are indicated or that other measures may not be required. Specifications are typical and may not apply to all connectors.

AMPHENOL is a registered trademark of Amphenol Corporation. ©2015 Amphenol Corporation REV:3/4/2015

6

Компания «Океан Электроники» предлагает заключение долгосрочных отношений при поставках импортных электронных компонентов на взаимовыгодных условиях!

Наши преимущества:

- Поставка оригинальных импортных электронных компонентов напрямую с производств Америки, Европы и Азии, а так же с крупнейших складов мира;
- Широкая линейка поставок активных и пассивных импортных электронных компонентов (более 30 млн. наименований);
- Поставка сложных, дефицитных, либо снятых с производства позиций;
- Оперативные сроки поставки под заказ (от 5 рабочих дней);
- Экспресс доставка в любую точку России;
- Помощь Конструкторского Отдела и консультации квалифицированных инженеров;
- Техническая поддержка проекта, помощь в подборе аналогов, поставка прототипов;
- Поставка электронных компонентов под контролем ВП;
- Система менеджмента качества сертифицирована по Международному стандарту ISO 9001;
- При необходимости вся продукция военного и аэрокосмического назначения проходит испытания и сертификацию в лаборатории (по согласованию с заказчиком);
- Поставка специализированных компонентов военного и аэрокосмического уровня качества (Xilinx, Altera, Analog Devices, Intersil, Interpoint, Microsemi, Actel, Aeroflex, Peregrine, VPT, Syfer, Eurofarad, Texas Instruments, MS Kennedy, Miteq, Cobham, E2V, MA-COM, Hittite, Mini-Circuits, General Dynamics и др.);

Компания «Океан Электроники» является официальным дистрибьютором и эксклюзивным представителем в России одного из крупнейших производителей разъемов военного и аэрокосмического назначения «JONHON», а так же официальным дистрибьютором и эксклюзивным представителем в России производителя высокотехнологичных и надежных решений для передачи СВЧ сигналов «FORSTAR».



JONHON

«JONHON» (основан в 1970 г.)

Разъемы специального, военного и аэрокосмического назначения:

(Применяются в военной, авиационной, аэрокосмической, морской, железнодорожной, горно- и нефтедобывающей отраслях промышленности)

«FORSTAR» (основан в 1998 г.)

ВЧ соединители, коаксиальные кабели,
кабельные сборки и микроволновые компоненты:

(Применяются в телекоммуникациях гражданского и специального назначения, в средствах связи, РЛС, а так же военной, авиационной и аэрокосмической отраслях промышленности).



Телефон: 8 (812) 309-75-97 (многоканальный)

Факс: 8 (812) 320-03-32

Электронная почта: ocean@oceanchips.ru

Web: <http://oceanchips.ru/>

Адрес: 198099, г. Санкт-Петербург, ул. Калинина, д. 2, корп. 4, лит. А