

KAD5512P

Low Power 12-Bit, 250/210/170/125MSPS ADC

FN6807
Rev 5.00
May 31, 2016

The KAD5512P is the low-power member of the KAD5512 family of 12-bit analog-to-digital converters. Designed with Intersil's proprietary FemtoCharge™ technology on a standard CMOS process, the family supports sampling rates of up to 250MSPS. The KAD5512P is part of a pin-compatible portfolio of 10, 12 and 14-bit A/Ds with sample rates ranging from 125MSPS to 500MSPS.

A Serial Peripheral Interface (SPI) port allows for extensive configurability, as well as fine control of various parameters such as gain and offset.

Digital output data is presented in selectable LVDS or CMOS formats. The KAD5512P is available in 72 Ld and 48 Ld QFN packages with an exposed paddle. Operating from a 1.8V supply, performance is specified over the full industrial temperature range (-40°C to +85°C).

Key Specifications

- SNR = 66.1dBFS for $f_{IN} = 105\text{MHz}$ (-1dBFS)
- SFDR = 87dBc for $f_{IN} = 105\text{MHz}$ (-1dBFS)
- Total Power Consumption
 - 267/219mW at 250/125MSPS (SDR Mode)
 - 234/189mW at 250/125MSPS (DDR Mode)

Related Literature

- [KAD5512P-50](#) Datasheet
- [KAD5512HP](#), Datasheet

Features

- Half the power of the pin-compatible KAD5512HP family
- 1.5GHz analog input bandwidth
- 60fs clock jitter
- Programmable gain, offset and skew control
- Over-range indicator
- Selectable clock divider: ÷1, ÷2 or ÷4
- Clock phase selection
- Nap and sleep modes
- Two's complement, gray code or binary data format
- SDR/DDR LVDS-compatible or LVCMOS outputs
- Programmable built-in test patterns
- Single-supply 1.8V operation
- Pb-free (RoHS compliant)

Applications

- Power amplifier linearization
- Radar and satellite antenna array processing
- Broadband communications
- High-performance data acquisition
- Communications test equipment
- WiMAX and microwave receivers

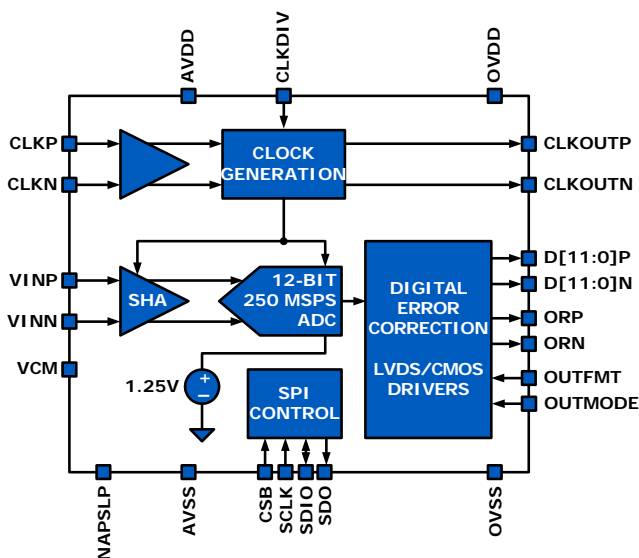


FIGURE 1. BLOCK DIAGRAM

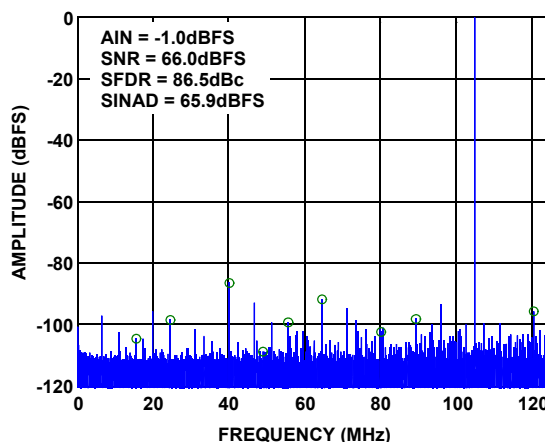


FIGURE 2. SINGLE-TONE SPECTRUM AT 105MHz (250MSPS)

Table of Contents

| | | | |
|---|-----------|---|-----------|
| Ordering Information | 3 | Serial Peripheral Interface | 24 |
| Pin Configuration | 4 | SPI Physical Interface | 24 |
| Pin Descriptions - 72 Ld QFN | 4 | SPI Configuration | 24 |
| Pin Configuration | 7 | Device Information | 25 |
| Pin Descriptions - 48 Ld QFN | 7 | Indexed Device Configuration/Control | 25 |
| Absolute Maximum Ratings | 9 | Global Device Configuration/Control | 26 |
| Thermal Information | 9 | Device Test | 27 |
| Recommended Operating Conditions | 9 | 72 Ld/48 Ld Package Options | 27 |
| Electrical Specifications | 9 | SPI Memory Map | 28 |
| Digital Specifications | 12 | Equivalent Circuits | 29 |
| Timing Diagrams | 13 | ADC Evaluation Platform | 31 |
| Switching Specifications | 14 | Layout Considerations | 31 |
| Typical Performance Curves | 15 | PCB Layout Example | 31 |
| Theory of Operation | 18 | Split Ground and Power Planes | 31 |
| Functional Description | 18 | Clock Input Considerations | 31 |
| Power-On Calibration | 18 | Exposed Paddle | 31 |
| User-Initiated Reset | 19 | Bypass and Filtering | 31 |
| Analog Input | 19 | LVDS Outputs | 31 |
| VCM Output | 20 | LVC MOS Outputs | 31 |
| Clock Input | 20 | Unused Inputs | 31 |
| Jitter | 20 | General PowerPAD Design Considerations | 31 |
| Voltage Reference | 21 | Definitions | 32 |
| Digital Outputs | 21 | Revision History | 33 |
| Over Range Indicator | 21 | About Intersil | 34 |
| Power Dissipation | 21 | Package Outline Drawing | 35 |
| Nap/Sleep | 21 | L48.7x7E | 35 |
| Data Format | 22 | L72.10x10D | 36 |

TABLE 1. PIN-COMPATIBLE FAMILY

| MODEL | RESOLUTION | SPEED (MSPS) | PACKAGE | |
|-----------------------|------------|-----------------|---------|-------|
| | | | Q48EP | Q72EP |
| KAD5514P-25/21/17/12 | 14 | 250/210/170/125 | X | X |
| KAD5512P-50 | 12 | 500 | | X |
| KAD5512P-25/21/17/12 | 12 | 250/210/170/125 | X | X |
| KAD5512HP-25/21/17/12 | 12 | 250/210/170/125 | X | X |
| KAD5510P-50 | 10 | 500 | | X |
| KAD5510P-25/21/17/12 | 10 | 250/210/170/125 | X | |

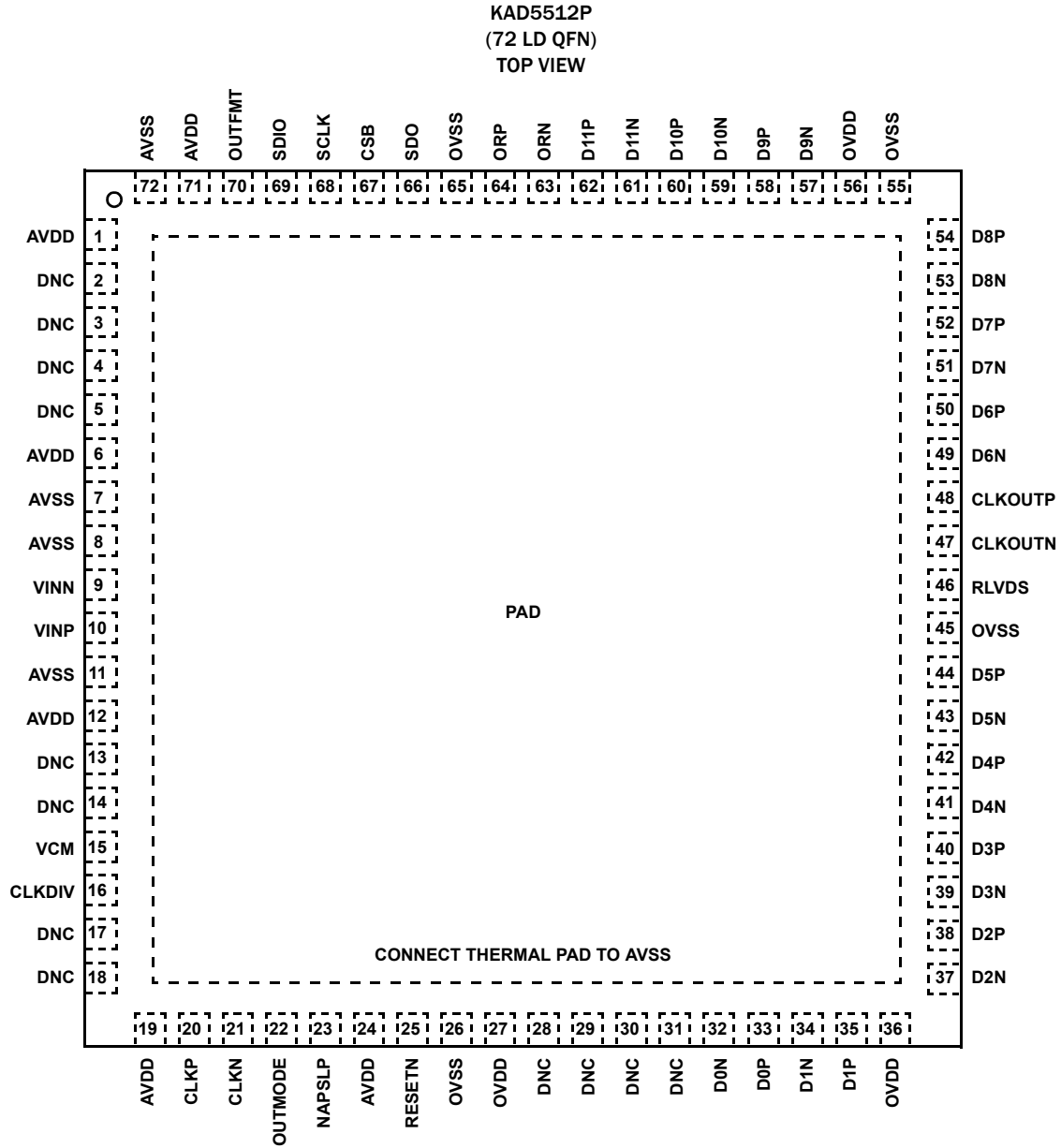
Ordering Information

| PART NUMBER (Note 3) | PART MARKING | SPEED (MSPS) | TEMP. RANGE (°C) | PACKAGE (RoHS Compliant) | PKG. DWG. # |
|-------------------------|---------------------|-----------------|---------------------|-----------------------------|----------------|
| KAD5512P-25Q72 (Note 1) | KAD5512P-25 Q72EP-I | 250 | -40 to +85 | 72 Ld QFN | L72.10x10D |
| KAD5512P-21Q72 (Note 1) | KAD5512P-21 Q72EP-I | 210 | -40 to +85 | 72 Ld QFN | L72.10x10D |
| KAD5512P-17Q72 (Note 1) | KAD5512P-17 Q72EP-I | 170 | -40 to +85 | 72 Ld QFN | L72.10x10D |
| KAD5512P-12Q72 (Note 1) | KAD5512P-12 Q72EP-I | 125 | -40 to +85 | 72 Ld QFN | L72.10x10D |
| KAD5512P-25Q48 (Note 2) | KAD5512P-25 Q48EP-I | 250 | -40 to +85 | 48 Ld QFN | L48.7x7E |
| KAD5512P-21Q48 (Note 2) | KAD5512P-21 Q48EP-I | 210 | -40 to +85 | 48 Ld QFN | L48.7x7E |
| KAD5512P-17Q48 (Note 2) | KAD5512P-17 Q48EP-I | 170 | -40 to +85 | 48 Ld QFN | L48.7x7E |
| KAD5512P-12Q48 (Note 2) | KAD5512P-12 Q48EP-I | 125 | -40 to +85 | 48 Ld QFN | L48.7x7E |

NOTES:

1. These Intersil Pb-free plastic packaged products employ special Pb-free material sets; molding compounds/die attach materials and NiPdAu plate-e4 termination finish, which is RoHS compliant and compatible with both SnPb and Pb-free soldering operations. Intersil Pb-free products are MSL classified at Pb-free peak reflow temperatures that meet or exceed the Pb-free requirements of IPC/JEDEC J STD-020.
2. These Intersil Pb-free plastic packaged products employ special Pb-free material sets, molding compounds/die attach materials, and 100% matte tin plate plus anneal (e3 termination finish, which is RoHS compliant and compatible with both SnPb and Pb-free soldering operations). Intersil Pb-free products are MSL classified at Pb-free peak reflow temperatures that meet or exceed the Pb-free requirements of IPC/JEDEC J STD-020.
3. For Moisture Sensitivity Level (MSL), please see device information page for [KAD5512P-25](#), [KAD5512P-21](#), [KAD5512P-17](#), [KAD5512P-12](#). For more information on MSL please see techbrief [TB363](#).

Pin Configuration



Pin Descriptions - 72 Ld QFN

| PIN NUMBER | LVDS [LVCMOS] NAME | LVDS [LVCMOS] FUNCTION SDR MODE | DDR MODE COMMENTS |
|--|--------------------|---------------------------------|-------------------|
| 1, 6, 12, 19, 24, 71 | AVDD | 1.8V Analog Supply | |
| 2, 3, 4, 5, 13, 14, 17, 18, 28, 29, 30, 31 | DNC | Do Not Connect | |
| 7, 8, 11, 72 | AVSS | Analog Ground | |
| 9, 10 | VINN, VINP | Analog Input Negative, Positive | |
| 15 | VCM | Common-Mode Output | |
| 16 | CLKDIV | Tri-Level Clock Divider Control | |

Pin Descriptions - 72 Ld QFN (Continued)

| PIN NUMBER | LVDS [LVCMOS] NAME | LVDS [LVCMOS] FUNCTION SDR MODE | DDR MODE COMMENTS |
|----------------|---------------------|--|--------------------------------------|
| 20, 21 | CLKP, CLKN | Clock Input True, Complement | |
| 22 | OUTMODE | Tri-Level Output Mode Control (LVDS, LVCMOS) | |
| 23 | NAPSLP | Tri-Level Power Control (Nap, Sleep modes) | |
| 25 | RESETN | Power-On Reset (Active Low, see page 19) | |
| 26, 45, 55, 65 | OVSS | Output Ground | |
| 27, 36, 56 | OVDD | 1.8V Output Supply | |
| 32 | D0N [NC] | LVDS Bit 0 (LSB) Output Complement [NC in LVCMOS] | DDR Logical Bits 1, 0 (LVDS) |
| 33 | D0P [D0] | LVDS Bit 0 (LSB) Output True [LVCMOS Bit 0] | DDR Logical Bits 1, 0 (LVDS or CMOS) |
| 34 | D1N [NC] | LVDS Bit 1 Output Complement [NC in LVCMOS] | NC in DDR |
| 35 | D1P [D1] | LVDS Bit 1 Output True [LVCMOS Bit 1] | NC in DDR |
| 37 | D2N [NC] | LVDS Bit 2 Output Complement [NC in LVCMOS] | DDR Logical Bits 3, 2 (LVDS) |
| 38 | D2P [D2] | LVDS Bit 2 Output True [LVCMOS Bit 2] | DDR Logical Bits 3, 2 (LVDS or CMOS) |
| 39 | D3N [NC] | LVDS Bit 3 Output Complement [NC in LVCMOS] | NC in DDR |
| 40 | D3P [D3] | LVDS Bit 3 Output True [LVCMOS Bit 3] | NC in DDR |
| 41 | D4N [NC] | LVDS Bit 4 Output Complement [NC in LVCMOS] | DDR Logical Bits 5, 4 (LVDS) |
| 42 | D4P [D4] | LVDS Bit 4 Output True [LVCMOS Bit 4] | DDR Logical Bits 5, 4 (LVDS or CMOS) |
| 43 | D5N [NC] | LVDS Bit 5 Output Complement [NC in LVCMOS] | NC in DDR |
| 44 | D5P [D5] | LVDS Bit 5 Output True [LVCMOS Bit 5] | NC in DDR |
| 46 | RLVDS | LVDS Bias Resistor (Connect to OVSS with a 10kΩ, 1% resistor) | |
| 47 | CLKOUTN [NC] | LVDS Clock Output Complement [NC in LVCMOS] | |
| 48 | CLKOUTP [CLKOUT] | LVDS Clock Output True [LVCMOS CLKOUT] | |
| 49 | D6N [NC] | LVDS Bit 6 Output Complement [NC in LVCMOS] | DDR Logical Bits 7, 6 (LVDS) |
| 50 | D6P [D6] | LVDS Bit 6 Output True [LVCMOS Bit 6] | DDR Logical Bits 7, 6 (LVDS or CMOS) |
| 51 | D7N [NC] | LVDS Bit 7 Output Complement [NC in LVCMOS] | NC in DDR |
| 52 | D7P [D7] | LVDS Bit 7 Output True [LVCMOS Bit 7] | NC in DDR |
| 53 | D8N [NC] | LVDS Bit 8 Output Complement [NC in LVCMOS] | DDR Logical Bits 9, 8 (LVDS) |

Pin Descriptions - 72 Ld QFN (Continued)

| PIN NUMBER | LVDS [LVCMOS] NAME | LVDS [LVCMOS] FUNCTION SDR MODE | DDR MODE COMMENTS |
|-------------------------|--------------------|---|--|
| 54 | D8P [D8] | LVDS Bit 8 Output True [LVCMOS Bit 8] | DDR Logical Bits 9, 8 (LVDS or CMOS) |
| 57 | D9N [NC] | LVDS Bit 9 Output Complement [NC in LVCMOS] | NC in DDR |
| 58 | D9P [D9] | LVDS Bit 9 Output True [LVCMOS Bit 9] | NC in DDR |
| 59 | D10N [NC] | LVDS Bit 10 Output Complement [NC in LVCMOS] | DDR Logical Bits 11, 10 (LVDS) |
| 60 | D10P [D10] | LVDS Bit 10 Output True [LVCMOS Bit 10] | DDR Logical Bits 11, 10 (LVDS or CMOS) |
| 61 | D11N [NC] | LVDS Bit 11 Output Complement [NC in LVCMOS] | NC in DDR |
| 62 | D11P [D11] | LVDS Bit 11 Output True [LVCMOS Bit 11] | NC in DDR |
| 63 | ORN [NC] | LVDS Over-Range Complement [NC in LVCMOS] | |
| 64 | ORP [OR] | LVDS Over-Range True [LVCMOS Over-Range] | |
| 66 | SDO | SPI Serial Data Output (4.7k Ω pull-up to OVDD is required) | |
| 67 | CSB | SPI Chip Select (active low) | |
| 68 | SCLK | SPI Clock | |
| 69 | SDIO | SPI Serial Data Input/Output | |
| 70 | OUTFMT | Tri-Level Output Data Format Control (Two's Complement, Gray Code, Offset Binary) | |
| PAD (Exposed Paddle) | AVSS | Analog Ground (Connect to a low thermal impedance analog ground plane with multiple vias) | |

NOTE: LVCMOS output mode functionality is shown in brackets (NC = No Connection). SDR is the default state at power-up for the 72 Ld package.

Pin Configuration

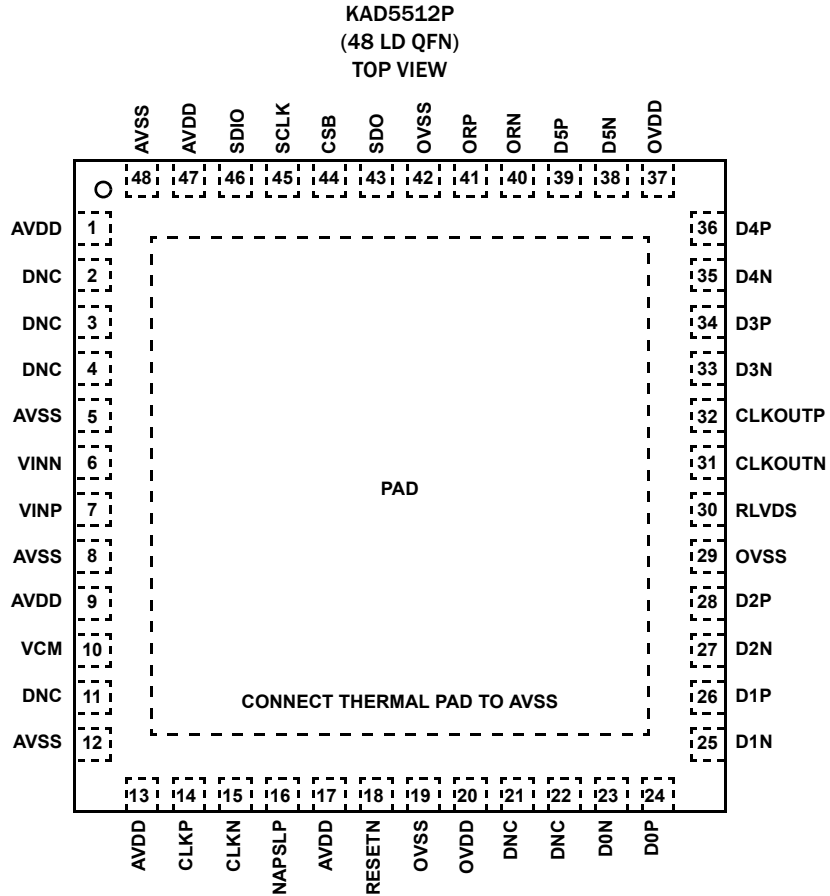


FIGURE 3. PIN CONFIGURATION

Pin Descriptions - 48 Ld QFN

| PIN NUMBER | LVDS [LVCMOS] NAME | LVDS [LVCMOS] FUNCTION |
|---------------------|--------------------|--|
| 1, 9, 13, 17, 47 | AVDD | 1.8V Analog Supply |
| 2, 3, 4, 11, 21, 22 | DNC | Do Not Connect |
| 5, 8, 12, 48 | AVSS | Analog Ground |
| 6, 7 | VINN, VINP | Analog Input Negative, Positive |
| 10 | VCM | Common-Mode Output |
| 14, 15 | CLKP, CLKN | Clock Input True, Complement |
| 16 | NAPSLP | Tri-Level Power Control (Nap, Sleep modes) |
| 18 | RESETN | Power On Reset (Active Low, see page 19) |
| 19, 29, 42 | OVSS | Output Ground |
| 20, 37 | OVDD | 1.8V Output Supply |
| 23 | DON [NC] | LVDS DDR Logical Bits 1, 0 Output Complement [NC in LVCMOS] |

Pin Descriptions - 48 Ld QFN (Continued)

| PIN NUMBER | LVDS [LVCMOS] NAME | LVDS [LVCMOS] FUNCTION |
|-------------------------|---------------------|---|
| 24 | D0P [D0] | LVDS DDR Logical Bits 1, 0 Output True [CMOS DDR Logical Bits 1, 0 in LVCMOS] |
| 25 | D1N [NC] | LVDS DDR Logical Bits 3, 2 Output Complement [NC in LVCMOS] |
| 26 | D1P [D1] | LVDS DDR Logical Bits 3, 2 Output True [CMOS DDR Logical Bits 3, 2 in LVCMOS] |
| 27 | D2N [NC] | LVDS DDR Logical Bits 5, 4 Output Complement [NC in LVCMOS] |
| 28 | D2P [D2] | LVDS DDR Logical Bits 5, 4 Output True [CMOS DDR Logical Bits 5, 4 in LVCMOS] |
| 30 | RLVDS | LVDS Bias Resistor (Connect to OVSS with a 10k Ω , 1% resistor) |
| 31 | CLKOUTN [NC] | LVDS Clock Output Complement [NC in LVCMOS] |
| 32 | CLKOUTP [CLKOUT] | LVDS Clock Output True [LVCMOS CLKOUT] |
| 33 | D3N [NC] | LVDS DDR Logical Bits 7, 6 Output Complement [NC in LVCMOS] |
| 34 | D3P [D3] | LVDS DDR Logical Bits 7, 6 Output True [CMOS DDR Logical Bits 7, 6 in LVCMOS] |
| 35 | D4N [NC] | LVDS DDR Logical Bits 9, 8 Output Complement [NC in LVCMOS] |
| 36 | D4P [D4] | LVDS DDR Logical Bits 9, 8 Output True [CMOS DDR Logical Bits 9, 8 in LVCMOS] |
| 38 | D5N [NC] | LVDS DDR Logical Bits 11, 10 Output Complement [NC in LVCMOS] |
| 39 | D5P [D5] | LVDS DDR Logical Bits 11, 10 Output True [CMOS DDR Logical Bits 11, 10 in LVCMOS] |
| 40 | ORN [NC] | LVDS Over-Range Complement [NC in LVCMOS] |
| 41 | ORP [OR] | LVDS Over-Range True [LVCMOS Over-Range] |
| 43 | SDO | SPI Serial Data Output (4.7k Ω pull-up to OVDD is required) |
| 44 | CSB | SPI Chip Select (active low) |
| 45 | SCLK | SPI Clock |
| 46 | SDIO | SPI Serial Data Input/Output |
| PAD (Exposed Paddle) | AVSS | Analog Ground (Connect to a low thermal impedance analog ground plane with multiple vias) |

NOTE: LVCMOS output mode functionality is shown in brackets (NC = No Connection).

Absolute Maximum Ratings

| | |
|-----------------------|----------------------|
| AVDD to AVSS | -0.4V to 2.1V |
| OVDD to OVSS | -0.4V to 2.1V |
| AVSS to OVSS | -0.3V to 0.3V |
| Analog Inputs to AVSS | -0.4V to AVDD + 0.3V |
| Clock Inputs to AVSS | -0.4V to AVDD + 0.3V |
| Logic Input to AVSS | -0.4V to OVDD + 0.3V |
| Logic Inputs to OVSS | -0.4V to OVDD + 0.3V |

Thermal Information

| | | |
|------------------------------|---------------------------|----------------------|
| Thermal Resistance (Typical) | θ_{JA} (°C/W) | θ_{JC} (°C/W) |
| 48 Ld QFN (Notes 4, 5) | 25 | 0.5 |
| 72 Ld QFN (Note 4, 5) | 24 | 0.5 |
| Storage Temperature | -65°C to +150°C | |
| Junction Temperature | +150°C | |
| Pb-Free Reflow Profile | see TB493 | |

Recommended Operating Conditions

| | |
|-------------|----------------|
| AVDD | 1.8V |
| OVDD | 1.8V |
| Temperature | -40°C to +85°C |

CAUTION: Do not operate at or near the maximum ratings listed for extended periods of time. Exposure to such conditions may adversely impact product reliability and result in failures not covered by warranty.

NOTES:

- θ_{JA} is measured in free air with the component mounted on a high effective thermal conductivity test board with "direct attach" features. See Tech Brief [TB379](#).
- For θ_{JC} , the "case temp" location is the center of the exposed metal pad on the package underside.

Electrical Specifications

All specifications apply under the following conditions unless otherwise noted: AVDD = 1.8V, OVDD = 1.8V, T_A = -40°C to +85°C (typical specifications at +25°C), A_{IN} = -1dBFS, f_{SAMPLE} = Maximum Conversion Rate (per speed grade). **Boldface limits apply across the operating temperature range, -40°C to +85°C.**

| PARAMETER | SYMBOL | TEST CONDITIONS | KAD5512P-25 (Note 6) | | | KAD5512P-21 (Note 6) | | | KAD5512P-17 (Note 6) | | | KAD5512P-12 (Note 6) | | | UNIT |
|-------------------------------------|-----------|------------------|-------------------------|------|-------------|-------------------------|------|-------------|-------------------------|------|-------------|-------------------------|------|-------------|--------------|
| | | | MIN | TYP | MAX | MIN | TYP | MAX | MIN | TYP | MAX | MIN | TYP | MAX | |
| DC SPECIFICATIONS | | | | | | | | | | | | | | | |
| Analog Input | | | | | | | | | | | | | | | |
| Full-Scale Analog Input Range | V_{FS} | Differential | 1.40 | 1.47 | 1.54 | 1.40 | 1.47 | 1.54 | 1.40 | 1.47 | 1.54 | 1.40 | 1.47 | 1.54 | V_{P-P} |
| Input Resistance | R_{IN} | Differential | | 1000 | | | 1000 | | | 1000 | | | 1000 | | Ω |
| Input Capacitance | C_{IN} | Differential | | 1.8 | | | 1.8 | | | 1.8 | | | 1.8 | | pF |
| Full-Scale Range Temperature Drift | A_{VTC} | Full Temperature | | 90 | | | 90 | | | 90 | | | 90 | | ppm/°C |
| Input Offset Voltage | V_{OS} | | -10 | ±2 | 10 | -10 | ±2 | 10 | -10 | ±2 | 10 | -10 | ±2 | 10 | mV |
| Gain Error | E_G | | | ±0.6 | | | ±0.6 | | | ±0.6 | | | ±0.6 | | % |
| Common-Mode Output Voltage | V_{CM} | | 435 | 535 | 635 | 435 | 535 | 635 | 435 | 535 | 635 | 435 | 535 | 635 | mV |
| Common-Mode Input Current (per pin) | I_{CM} | | | 2.5 | | | 2.5 | | | 2.5 | | | 2.5 | | $\mu A/MSPS$ |
| Clock Inputs | | | | | | | | | | | | | | | |
| Inputs Common-Mode Voltage | | | | 0.9 | | | 0.9 | | | 0.9 | | | 0.9 | | V |
| CLKP, CLKN Input Swing | | | | 1.8 | | | 1.8 | | | 1.8 | | | 1.8 | | V |
| Power Requirements | | | | | | | | | | | | | | | |
| 1.8V Analog Supply Voltage | AVDD | | 1.7 | 1.8 | 1.9 | 1.7 | 1.8 | 1.9 | 1.7 | 1.8 | 1.9 | 1.7 | 1.8 | 1.9 | V |
| 1.8V Digital Supply Voltage | OVDD | | 1.7 | 1.8 | 1.9 | 1.7 | 1.8 | 1.9 | 1.7 | 1.8 | 1.9 | 1.7 | 1.8 | 1.9 | V |

Electrical Specifications All specifications apply under the following conditions unless otherwise noted: AVDD = 1.8V, OVDD = 1.8V, T_A = -40°C to +85°C (typical specifications at +25°C), A_{IN} = -1dBFS, f_{SAMPLE} = Maximum Conversion Rate (per speed grade). **Boldface limits apply across the operating temperature range, -40°C to +85°C. (Continued)**

| PARAMETER | SYMBOL | TEST CONDITIONS | KAD5512P-25 (Note 6) | | | KAD5512P-21 (Note 6) | | | KAD5512P-17 (Note 6) | | | KAD5512P-12 (Note 6) | | | UNIT |
|---|--------------------|--|-------------------------|------|-------------|-------------------------|------|-------------|-------------------------|------|-------------|-------------------------|------|-------------|------|
| | | | MIN | TYP | MAX | MIN | TYP | MAX | MIN | TYP | MAX | MIN | TYP | MAX | |
| 1.8V Analog Supply Current | I _{AVDD} | | | 90 | 101 | | 83 | 94 | | 77 | 87 | | 69 | 79 | mA |
| 1.8V Digital Supply Current (SDR) (Note 7) | I _{OVDD} | 3mA LVDS | | 58 | 62 | | 56 | 60 | | 54 | 58 | | 52 | 56 | mA |
| 1.8V Digital Supply Current (DDR) (Note 7) | I _{OVDD} | 3mA LVDS | | 39 | | | 38 | | | 36 | | | 35 | | mA |
| Power Supply Rejection Ratio | PSRR | 30MHz, 200mV _{p-p} signal on AVDD | | -36 | | | -36 | | | -36 | | | -36 | | dB |
| Total Power Dissipation | | | | | | | | | | | | | | | |
| Normal Mode (SDR) | P _D | 3mA LVDS | | 267 | 286 | | 252 | 271 | | 237 | 253 | | 219 | 235 | mW |
| Normal Mode (DDR) | P _D | 3mA LVDS | | 234 | | | 219 | | | 204 | | | 189 | | mW |
| Nap Mode | P _D | | | 84 | 98.6 | | 80 | 94.6 | | 78 | 91.6 | | 74 | 87.6 | mW |
| Sleep Mode | P _D | CSB at logic high | | 2 | 6 | | 2 | 6 | | 2 | 6 | | 2 | 6 | mW |
| Nap Mode Wake-Up Time (Note 8) | | Sample Clock Running | | 1 | | | 1 | | | 1 | | | 1 | | μs |
| Sleep Mode Wake-Up Time (Note 8) | | Sample Clock Running | | 1 | | | 1 | | | 1 | | | 1 | | ms |
| AC SPECIFICATIONS | | | | | | | | | | | | | | | |
| Differential Nonlinearity | DNL | | -0.8 | ±0.3 | 0.8 | -0.8 | ±0.3 | 0.8 | -0.8 | ±0.3 | 0.8 | -0.8 | ±0.3 | 0.8 | LSB |
| Integral Nonlinearity | INL | | -2.0 | ±0.8 | 2.0 | -2.0 | ±1.1 | 2.0 | -2.0 | ±1.1 | 2.0 | -2.5 | ±1.4 | 2.5 | LSB |
| Minimum Conversion Rate (Note 9) | f _S MIN | | | | 40 | | | 40 | | | 40 | | | 40 | MSPS |
| Maximum Conversion Rate | f _S MAX | | 250 | | | 210 | | | 170 | | | 125 | | | MSPS |
| Signal-to-Noise Ratio | SNR | f _{IN} = 10MHz | | 66.1 | | | 66.6 | | | 66.9 | | | 67.1 | | dBFS |
| | | f _{IN} = 105MHz | 64.0 | 66.1 | | 64.5 | 66.6 | | 65.0 | 66.9 | | 65.2 | 67.1 | | dBFS |
| | | f _{IN} = 190MHz | | 65.9 | | | 66.3 | | | 66.7 | | | 66.8 | | dBFS |
| | | f _{IN} = 364MHz | | 65.4 | | | 65.7 | | | 66.1 | | | 66.1 | | dBFS |
| | | f _{IN} = 695MHz | | 63.8 | | | 64.2 | | | 64.4 | | | 64.1 | | dBFS |
| | | f _{IN} = 995MHz | | 62.6 | | | 62.4 | | | 62.7 | | | 62.4 | | dBFS |
| Signal-to-Noise and Distortion | SINAD | f _{IN} = 10MHz | | 65.3 | | | 65.6 | | | 65.8 | | | 66.3 | | dBFS |
| | | f _{IN} = 105MHz | 63.3 | 65.3 | | 63.8 | 65.6 | | 64.3 | 65.8 | | 64.3 | 66.3 | | dBFS |
| | | f _{IN} = 190MHz | | 64.6 | | | 65.2 | | | 65.5 | | | 65.6 | | dBFS |
| | | f _{IN} = 364MHz | | 63.9 | | | 64.3 | | | 64.7 | | | 64.1 | | dBFS |
| | | f _{IN} = 695MHz | | 56.9 | | | 57.2 | | | 57.9 | | | 57.4 | | dBFS |
| | | f _{IN} = 995MHz | | 49.6 | | | 44.9 | | | 48.3 | | | 49.3 | | dBFS |

Electrical Specifications All specifications apply under the following conditions unless otherwise noted: AVDD = 1.8V, OVDD = 1.8V, T_A = -40°C to +85°C (typical specifications at +25°C), A_{IN} = -1dBFS, f_{SAMPLE} = Maximum Conversion Rate (per speed grade). **Boldface limits apply across the operating temperature range, -40°C to +85°C. (Continued)**

| PARAMETER | SYMBOL | TEST CONDITIONS | KAD5512P-25 (Note 6) | | | KAD5512P-21 (Note 6) | | | KAD5512P-17 (Note 6) | | | KAD5512P-12 (Note 6) | | | UNIT |
|-----------------------------|--------|--------------------------|-------------------------|-------|-----|-------------------------|-------|-----|-------------------------|-------|-----|-------------------------|-------|-----|------|
| | | | MIN | TYP | MAX | MIN | TYP | MAX | MIN | TYP | MAX | MIN | TYP | MAX | |
| Effective Number of Bits | ENOB | f _{IN} = 10MHz | | 10.6 | | | 10.6 | | | 10.6 | | | 10.7 | | Bits |
| | | f _{IN} = 105MHz | 10.3 | 10.6 | | 10.4 | 10.6 | | 10.5 | 10.6 | | 10.5 | 10.7 | | Bits |
| | | f _{IN} = 190MHz | | 10.4 | | | 10.5 | | | 10.6 | | | 10.6 | | Bits |
| | | f _{IN} = 364MHz | | 10.3 | | | 10.4 | | | 10.5 | | | 10.4 | | Bits |
| | | f _{IN} = 695MHz | | 9.2 | | | 9.2 | | | 9.3 | | | 9.2 | | Bits |
| | | f _{IN} = 995MHz | | 7.9 | | | 7.2 | | | 7.7 | | | 7.9 | | Bits |
| Spurious-Free Dynamic Range | SFDR | f _{IN} = 10MHz | | 83.0 | | | 81.4 | | | 78.8 | | | 79.6 | | dBc |
| | | f _{IN} = 105MHz | 70 | 87 | | 70 | 86.2 | | 70 | 84.4 | | 70 | 86 | | dBc |
| | | f _{IN} = 190MHz | | 79.4 | | | 80.5 | | | 81.8 | | | 82.0 | | dBc |
| | | f _{IN} = 364MHz | | 76.1 | | | 76.1 | | | 78.2 | | | 71.8 | | dBc |
| | | f _{IN} = 695MHz | | 60.6 | | | 61.4 | | | 61.6 | | | 61.6 | | dBc |
| | | f _{IN} = 995MHz | | 50.7 | | | 46.4 | | | 49.2 | | | 50.3 | | dBc |
| Intermodulation Distortion | IMD | f _{IN} = 70MHz | | -85.7 | | | -92.1 | | | -94.5 | | | -95.1 | | dBFS |
| | | f _{IN} = 170MHz | | -97.1 | | | -87.1 | | | -91.6 | | | -85.7 | | dBFS |
| Word Error Rate | WER | | 10 ⁻¹² | | | 10 ⁻¹² | | | 10 ⁻¹² | | | 10 ⁻¹² | | | |
| Full Power Bandwidth | FPBW | | 1.5 | | | 1.5 | | | 1.5 | | | 1.5 | | GHz | |

NOTES:

- Parameters with MIN and/or MAX limits are 100% production tested at their worst case temperature extreme (+85°C).
- Digital Supply Current is dependent upon the capacitive loading of the digital outputs. I_{OVDD} specifications apply for 10pF load on each digital output.
- See ["Nap/Sleep" on page 21](#) for more details.
- The DLL Range setting must be changed for low speed operation. See ["Serial Peripheral Interface" on page 24](#) for more detail.

Digital Specifications

| PARAMETER | SYMBOL | TEST CONDITIONS | MIN | TYP | MAX | UNIT |
|---|----------|----------------------|------------|------------|-----|-------------------|
| INPUTS | | | | | | |
| Input Current High (SDIO, RESETN, CSB, SCLK) | I_{IH} | $V_{IN} = 1.8V$ | 0 | 1 | 10 | μA |
| Input Current Low (SDIO, RESETN, CSB, SCLK) | I_{IL} | $V_{IN} = 0V$ | -25 | -12 | -5 | μA |
| Input Voltage High (SDIO, RESETN, CSB, SCLK) | V_{IH} | | 1.17 | | | V |
| Input Voltage Low (SDIO, RESETN, CSB, SCLK) | V_{IL} | | | | .63 | V |
| Input Current High (OUTMODE, NAPSLP, CLKDIV, OUTFMT) (Note 10) | I_{IH} | | 15 | 25 | 40 | μA |
| Input Current Low (OUTMODE, NAPSLP, CLKDIV, OUTFMT) | I_{IL} | | -40 | 25 | -15 | μA |
| Input Capacitance | C_{DI} | | | 3 | | pF |
| LVDS OUTPUTS | | | | | | |
| Differential Output Voltage | V_T | 3mA Mode | | 620 | | mV _{p-p} |
| Output Offset Voltage | V_{OS} | 3mA Mode | 950 | 965 | 980 | mV |
| Output Rise Time | t_R | | | 500 | | ps |
| Output Fall Time | t_F | | | 500 | | ps |
| CMOS OUTPUTS | | | | | | |
| Voltage Output High | V_{OH} | $I_{OH} = -500\mu A$ | OVDD - 0.3 | OVDD - 0.1 | | V |
| Voltage Output Low | V_{OL} | $I_{OL} = 1mA$ | | 0.1 | 0.3 | V |
| Output Rise Time | t_R | | | 1.8 | | ns |
| Output Fall Time | t_F | | | 1.4 | | ns |

Timing Diagrams

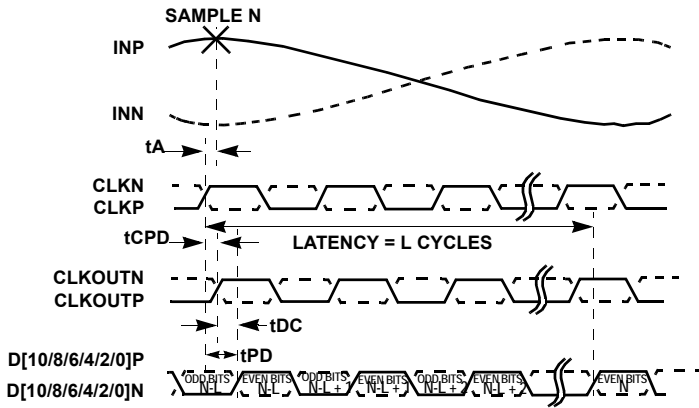


FIGURE 4A. DDR

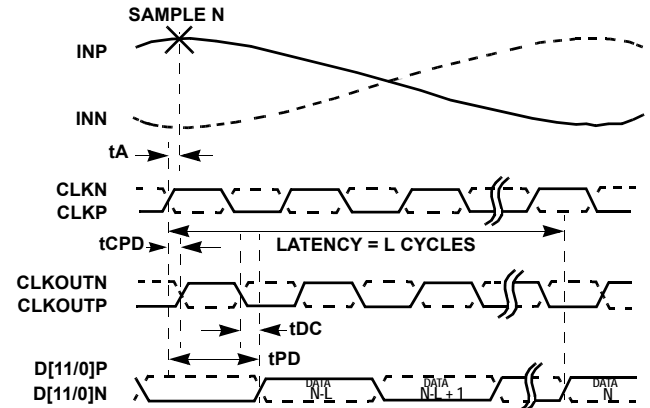


FIGURE 4B. SDR

FIGURE 4. LVDS TIMING DIAGRAMS (See "Digital Outputs" on page 21)

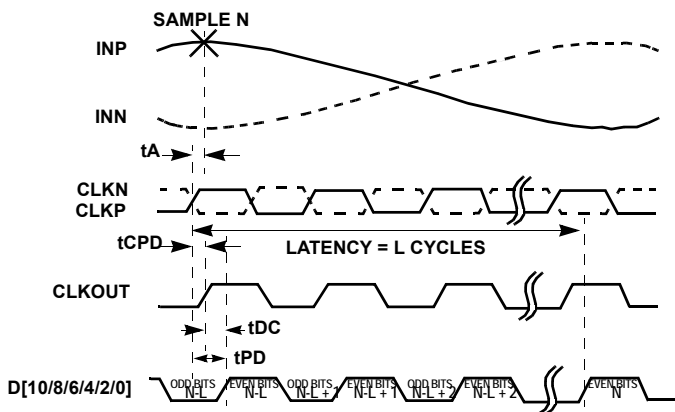


FIGURE 5A. DDR

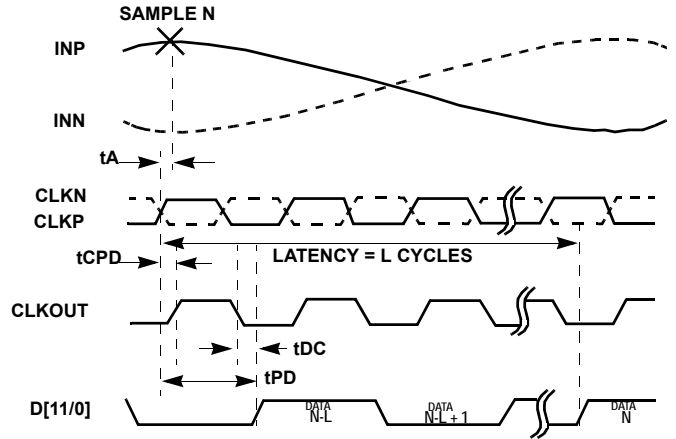


FIGURE 5B. SDR

FIGURE 5. CMOS TIMING DIAGRAM (See "Digital Outputs" on page 21)

Switching Specifications

| PARAMETER | TEST CONDITIONS | SYMBOL | MIN | TYP | MAX | UNIT |
|--|-----------------------------|-----------|------|-----|------|---------------------------------------|
| ADC OUTPUT | | | | | | |
| Aperture Delay | | t_A | | 375 | | ps |
| RMS Aperture Jitter | | j_A | | 60 | | fs |
| Output Clock to Data Propagation Delay, LVDS Mode (Note 11) | DDR Rising Edge | t_{DC} | -260 | -50 | 120 | ps |
| | DDR Falling Edge | t_{DC} | -160 | 10 | 230 | ps |
| | SDR Falling Edge | t_{DC} | -260 | -40 | 230 | ps |
| Output Clock to Data Propagation Delay, CMOS Mode (Note 11) | DDR Rising Edge | t_{DC} | -220 | -10 | 200 | ps |
| | DDR Falling Edge | t_{DC} | -310 | -90 | 110 | ps |
| | SDR Falling Edge | t_{DC} | -310 | -50 | 200 | ps |
| Latency (Pipeline Delay) | | L | | 7.5 | | cycles |
| Overvoltage Recovery | | t_{OVR} | | 1 | | cycles |
| SPI INTERFACE (Notes 12, 13) | | | | | | |
| SCLK Period | Write Operation | t_{CLK} | 16 | | | cycles (Note 12) |
| | Read Operation | t_{CLK} | 66 | | | cycles |
| SCLK Duty Cycle (t_{HI}/t_{CLK} or t_{LO}/t_{CLK}) | Read or Write | | 25 | 50 | 75 | % |
| CSB \downarrow to SCLK \uparrow Set-Up Time | Read or Write | t_S | 1 | | | cycles |
| CSB \uparrow after SCLK \uparrow Hold Time | Read or Write | t_H | 3 | | | cycles |
| Data Valid to SCLK \uparrow Set-Up Time | Write | t_{DSW} | 1 | | | cycles |
| Data Valid after SCLK \uparrow Hold Time | Write | t_{DHW} | 3 | | | cycles |
| Data Valid after SCLK \downarrow Time | Read | t_{DVR} | | | 16.5 | cycles |
| Data Invalid after SCLK \uparrow Time | Read | t_{DHR} | 3 | | | cycles |
| Sleep Mode CSB \downarrow to SCLK \uparrow Set-Up Time (Note 14) | Read or Write in Sleep Mode | t_S | 150 | | | μ s |

NOTES:

10. The Tri-Level Inputs internal switching thresholds are approximately 0.43V and 1.34V. It is advised to float the inputs, tie to ground or AVDD depending on desired function.
11. The input clock to output clock delay is a function of sample rate, using the output clock to latch the data simplifies data capture for most applications. Contact factory for more info if needed.
12. SPI Interface timing is directly proportional to the ADC sample period (4ns at 250MSPS).
13. The SPI may operate asynchronously with respect to the ADC sample clock.
14. The CSB set-up time increases in sleep mode due to the reduced power state, CSB set-up time in Nap mode is equal to normal mode CSB set-up time (4ns min).

Typical Performance Curves

All Typical Performance Characteristics apply under the following conditions unless otherwise noted: AVDD = OVDD = 1.8V, T_A = +25 °C, A_{IN} = -1dBFS, f_{IN} = 1.05MHz, f_{SAMPLE} = Maximum Conversion Rate (per speed grade).

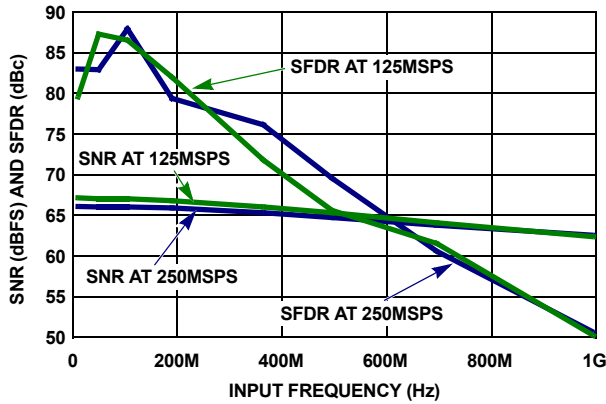


FIGURE 6. SNR AND SFDR vs f_{IN}

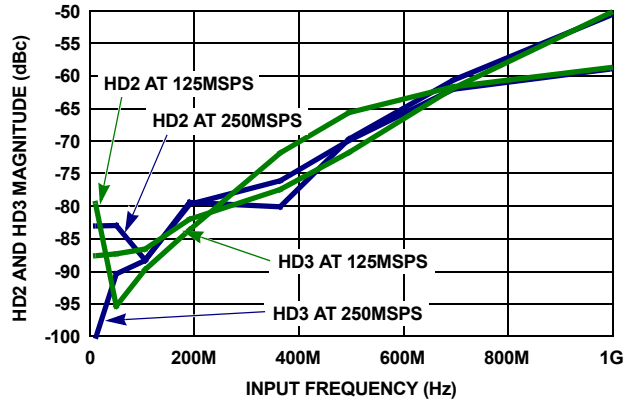


FIGURE 7. HD2 AND HD3 vs f_{IN}

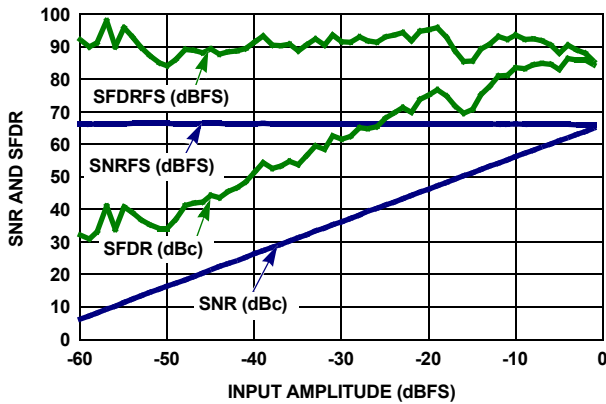


FIGURE 8. SNR AND SFDR vs A_{IN}

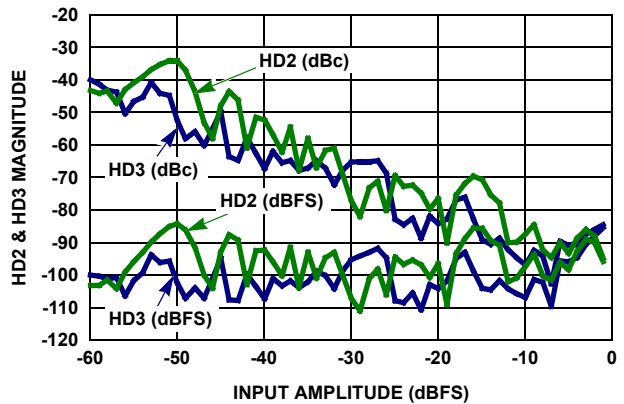


FIGURE 9. HD2 AND HD3 vs A_{IN}

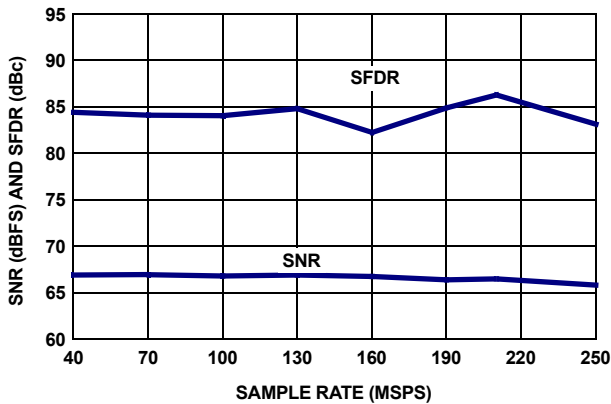


FIGURE 10. SNR AND SFDR vs f_{SAMPLE}

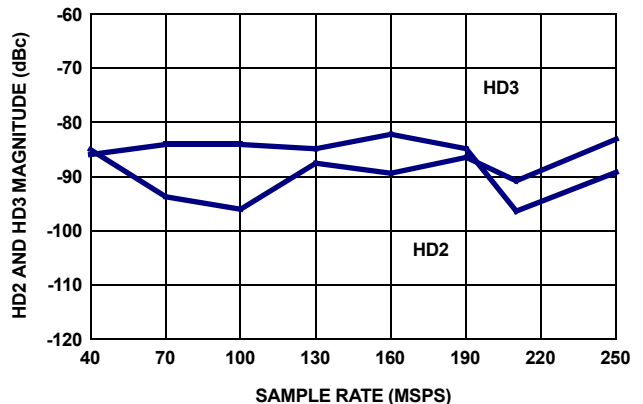


FIGURE 11. HD2 AND HD3 vs f_{SAMPLE}

Typical Performance Curves All Typical Performance Characteristics apply under the following conditions unless otherwise noted: AVDD = OVDD = 1.8V, T_A = +25°C, A_{IN} = -1dBFS, f_{IN} = 105MHz, f_{SAMPLE} = Maximum Conversion Rate (per speed grade). (Continued)

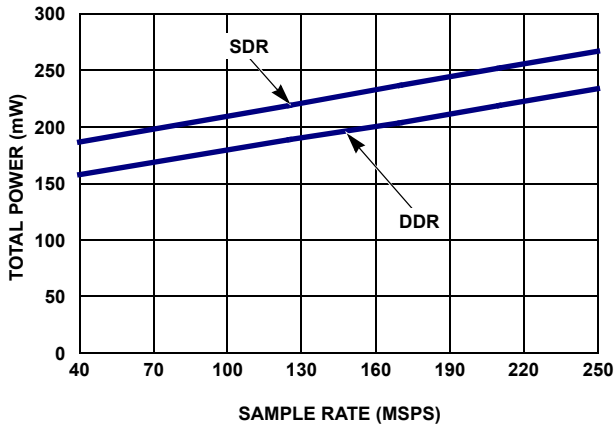


FIGURE 12. POWER vs f_{SAMPLE} IN 3mA LVDS MODE

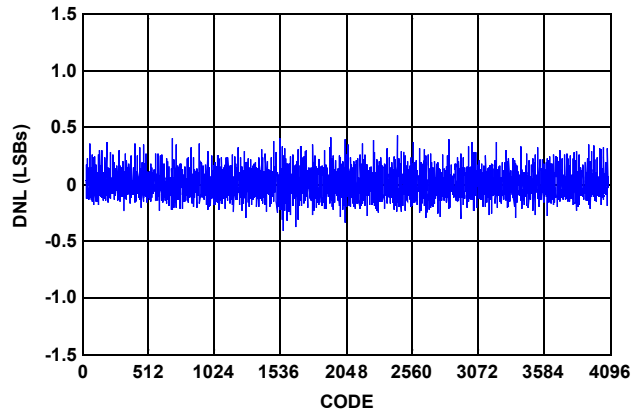


FIGURE 13. DIFFERENTIAL NONLINEARITY

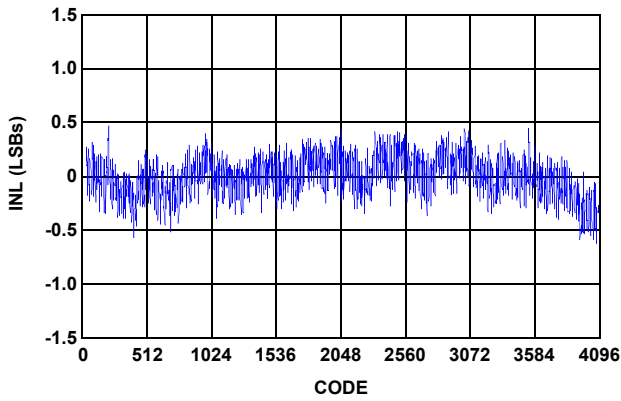


FIGURE 14. INTEGRAL NONLINEARITY

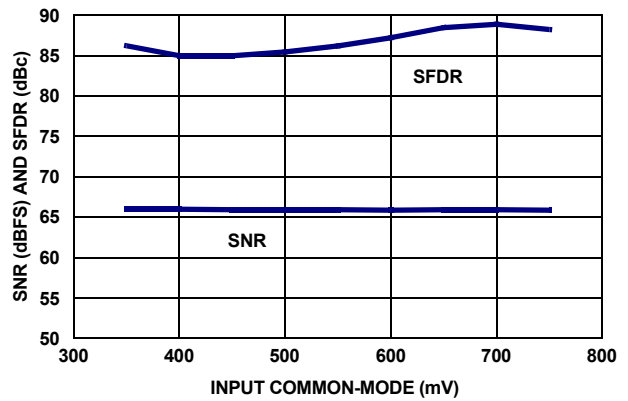


FIGURE 15. SNR AND SFDR vs VCM

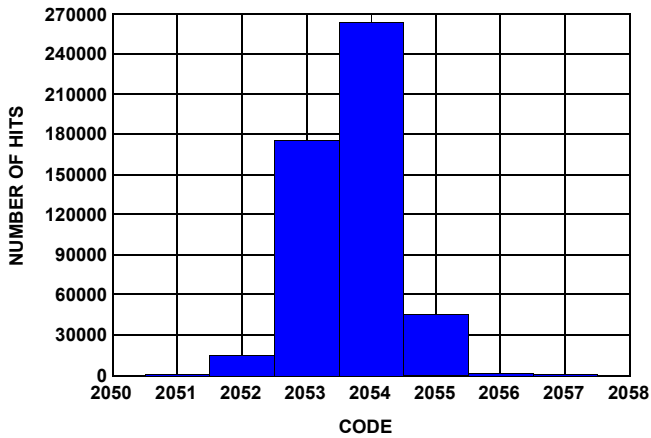


FIGURE 16. NOISE HISTOGRAM

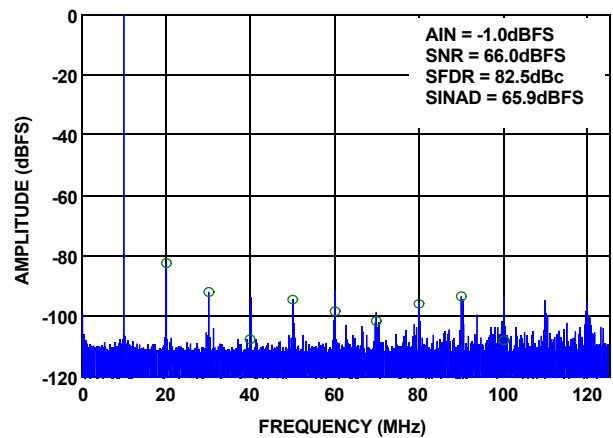


FIGURE 17. SINGLE-TONE SPECTRUM AT 10MHz

Typical Performance Curves All Typical Performance Characteristics apply under the following conditions unless otherwise noted: AVDD = OVDD = 1.8V, T_A = +25°C, A_{IN} = -1dBFS, f_{IN} = 105MHz, f_{SAMPLE} = Maximum Conversion Rate (per speed grade). (Continued)

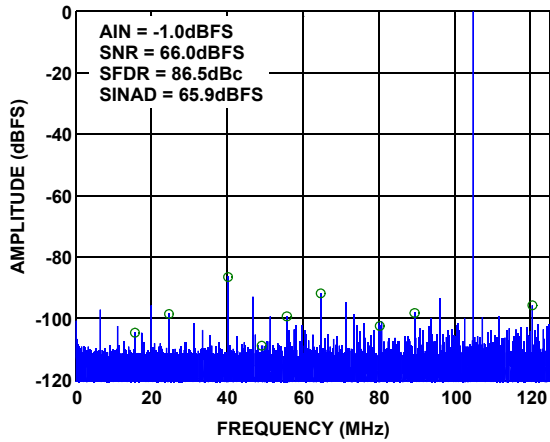


FIGURE 18. SINGLE-TONE SPECTRUM AT 105MHz

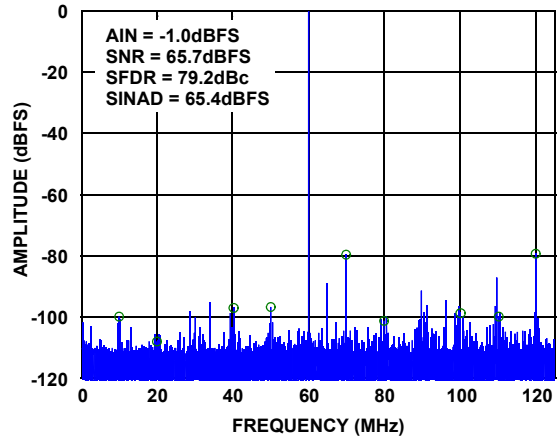


FIGURE 19. SINGLE-TONE SPECTRUM AT 190MHz

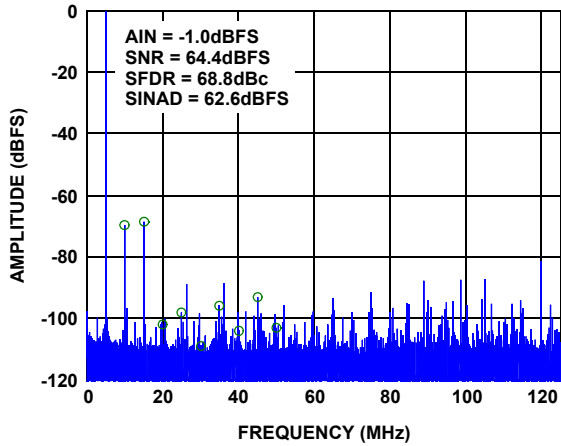


FIGURE 20. SINGLE-TONE SPECTRUM AT 495MHz

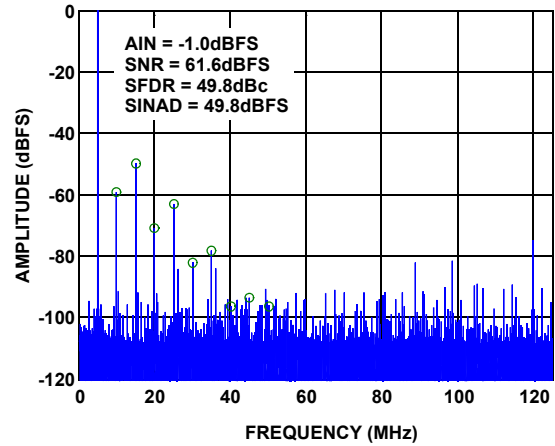


FIGURE 21. SINGLE-TONE SPECTRUM AT 995MHz

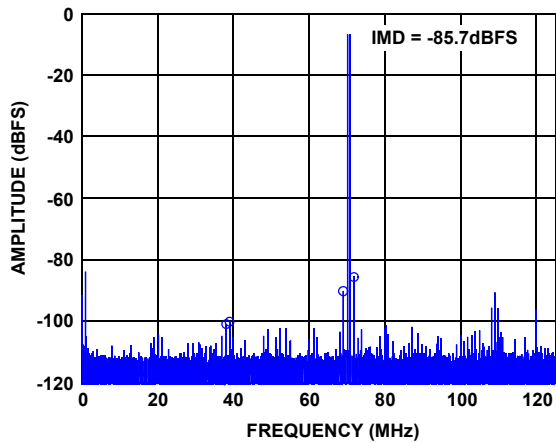


FIGURE 22. TWO-TONE SPECTRUM AT 70MHz

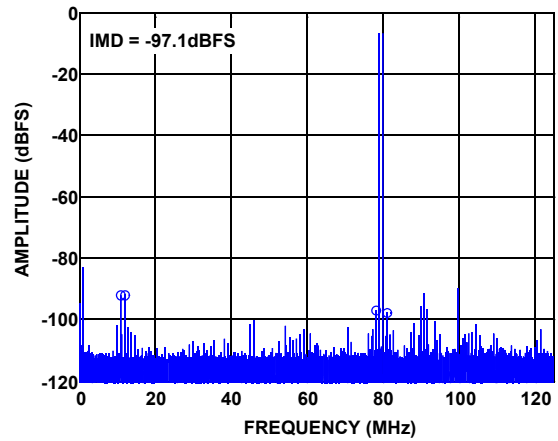


FIGURE 23. TWO-TONE SPECTRUM AT 170MHz

Theory of Operation

Functional Description

The KAD5512P is based upon a 12-bit, 250MSPS A/D converter core that utilizes a pipelined successive approximation architecture (Figure 24). The input voltage is captured by a Sample-Hold Amplifier (SHA) and converted to a unit of charge. Proprietary charge-domain techniques are used to successively compare the input to a series of reference charges. Decisions made during the successive approximation operations determine the digital code for each input value. The converter pipeline requires six samples to produce a result. Digital error correction is also applied, resulting in a total latency of seven and one half clock cycles. This is evident to the user as a time lag between the start of a conversion and the data being available on the digital outputs.

Power-On Calibration

The ADC performs a self-calibration at start-up. An internal Power-On Reset (POR) circuit detects the supply voltage ramps and initiates the calibration when the analog and digital supply voltages are above a threshold. The following conditions must be adhered to for the power-on calibration to execute successfully:

- A frequency-stable conversion clock must be applied to the CLKP/CLKN pins
- DNC pins (especially 3, 4 and 18) must not be pulled up or down
- SDO (pin 66) must be high
- RESETN (pin 25) must begin low
- SPI communications must not be attempted

A user-initiated reset can subsequently be invoked in the event that the previously mentioned conditions cannot be met at power-up.

The SDO pin requires an external 4.7kΩ pull-up to OVDD. If the SDO pin is pulled low externally during power-up, calibration will not be executed properly.

After the power supply has stabilized, the internal POR releases RESETN and an internal pull-up pulls it high starting the calibration sequence. When the RESETN pin is driven by external logic, it should be connected to an open-drain output with open-state leakage of less than 0.5mA to assure exit from the reset state. A driver that can be switched from logic low to high impedance can also be used to drive RESETN provided the high impedance state leakage is less than 0.5mA and the logic voltages are the same.

The calibration sequence is initiated on the rising edge of RESETN, as shown in Figure 25 on page 19. The Over-Range (OR) output is set high once RESETN is pulled low, and remains in that state until calibration is complete. The OR output returns to normal operation at that time, so it is important that the analog input be within the converter's full-scale range to observe the transition. If the input is in an over-range condition, the OR pin will stay high, and it will not be possible to detect the end of the calibration cycle.

While RESETN is low, the output clock (CLKOUTP/CLKOUTN) is set low. Normal operation of the output clock resumes at the next input clock edge (CLKP/CLKN) after RESETN is deasserted. At 250MSPS the nominal calibration time is 200ms, while the maximum calibration time is 550ms.

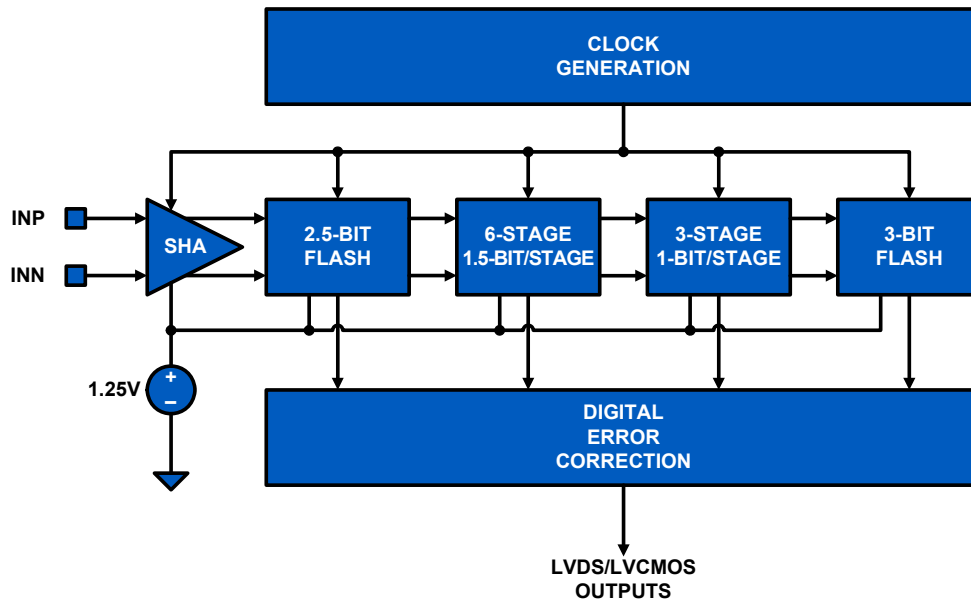


FIGURE 24. ADC CORE BLOCK DIAGRAM

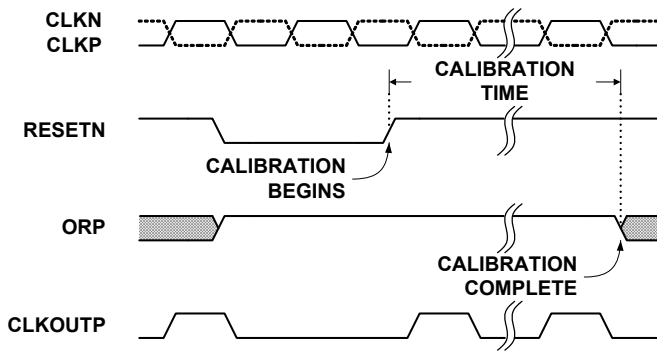


FIGURE 25. CALIBRATION TIMING

User-Initiated Reset

Recalibration of the ADC can be initiated at any time by driving the RESETN pin low for a minimum of one clock cycle. An open-drain driver with less than 0.5mA open-state leakage is recommended so the internal high impedance pull-up to OVDD can assure exit from the reset state. As is the case during power-on reset, the SDO, RESETN and DNC pins must be in the proper state for the calibration to successfully execute.

The performance of the KAD5512P changes with variations in temperature, supply voltage or sample rate. The extent of these changes may necessitate recalibration, depending on system performance requirements. Best performance will be achieved by recalibrating the ADC under the environmental conditions at which it will operate.

A supply voltage variation of less than 100mV will generally result in an SNR change of less than 0.5dBFS and SFDR change of less than 3dBc.

In situations where the sample rate is not constant, best results will be obtained if the device is calibrated at the highest sample rate. Reducing the sample rate by less than 75MSPS will typically result in an SNR change of less than 0.5dBFS and an SFDR change of less than 3dBc.

Figures 26 and 27 show the effect of temperature on SNR and SFDR performance with calibration performed at -40°C, +25°C, and +85°C. Each plot shows the variation of SNR/SFDR across temperature after a single calibration at -40°C, +25°C and +85°C. Best performance is typically achieved by a user-initiated calibration at the operating conditions, as stated earlier. However, it can be seen that performance drift with temperature is not a very strong function of the temperature at which the calibration is performed. Full-rated performance will be achieved after power-up calibration regardless of the operating conditions.

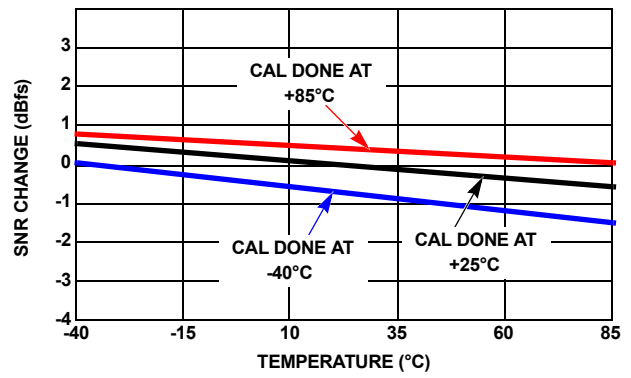


FIGURE 26. SNR PERFORMANCE vs TEMPERATURE

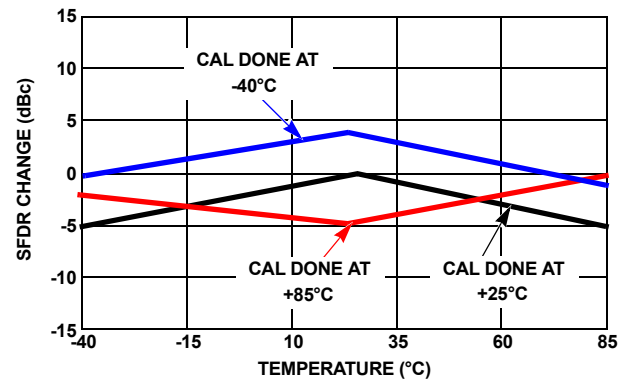


FIGURE 27. SFDR PERFORMANCE vs TEMPERATURE

Analog Input

The ADC core contains a fully differential input (VINP/VINN) to the Sample and Hold Amplifier (SHA). The ideal full-scale input voltage is 1.45V, centered at the VCM voltage of 0.535V as shown in Figure 28.

Best performance is obtained when the analog inputs are driven differentially. The common-mode output voltage, VCM, should be used to properly bias the inputs as shown in Figures 29 through 31. An RF transformer will give the best noise and distortion performance for wideband and/or high Intermediate Frequency (IF) inputs. Two different transformer input schemes are shown in Figures 29 and 30.

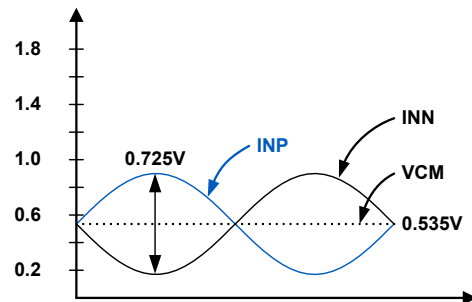


FIGURE 28. ANALOG INPUT RANGE

This dual transformer scheme is used to improve common-mode rejection, which keeps the common-mode level of the input matched to VCM. The value of the shunt resistor should be determined based on the desired load impedance. The differential input resistance of the KAD5512P is 1000Ω.

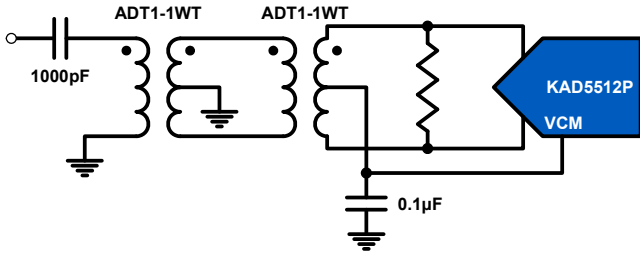


FIGURE 29. TRANSFORMER INPUT FOR GENERAL PURPOSE APPLICATIONS

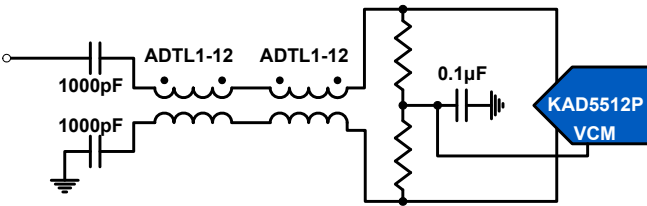


FIGURE 30. TRANSMISSION-LINE TRANSFORMER INPUT FOR HIGH IF APPLICATIONS

The SHA design uses a switched capacitor input stage (see [Figure 44 on page 29](#)), which creates current spikes when the sampling capacitance is reconnected to the input voltage. This causes a disturbance at the input, which must settle before the next sampling point. Lower source impedance will result in faster settling and improved performance. Therefore a 1:1 transformer and low shunt resistance are recommended for optimal performance.

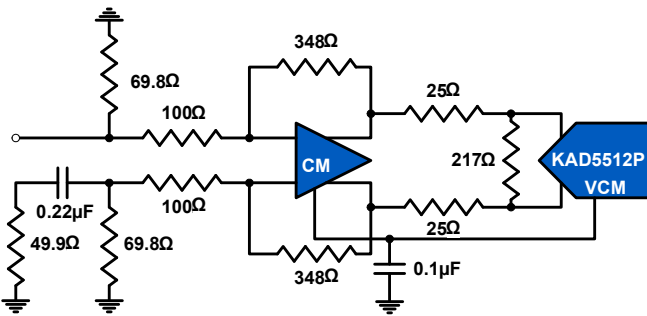


FIGURE 31. DIFFERENTIAL AMPLIFIER INPUT

A differential amplifier, as shown in [Figure 31](#), can be used in applications that require DC-coupling. In this configuration, the amplifier will typically dominate the achievable SNR and distortion performance.

The current spikes from the SHA will try to force the analog input pins toward ground. In cases where the input pins are biased with more than 50Ω in series from VCM care must be taken to make sure the input common-mode range is not violated. The provided ICM value ($250\mu\text{A}/\text{MHz} \times 250\text{MHz} = 625\mu\text{A}$ at 250MSPS) may be used to calculate the expected voltage drop across any series resistance.

VCM Output

The VCM output is buffered with a series output impedance of 20Ω. It can easily drive a typical ADC driver's 10kΩ common-mode control pin. If an external buffer is not used the voltage drop across the internal 20Ω impedance must be considered when calculating the expected DC bias voltage at the analog input pins.

Clock Input

The clock input circuit is a differential pair (see [Figure 45 on page 29](#)). Driving these inputs with a high level (up to 1.8V_{p-p} on each input) sine or square wave will provide the lowest jitter performance. A transformer with 4:1 impedance ratio will provide increased drive levels.

The recommended drive circuit is shown in [Figure 32](#). A duty range of 40% to 60% is acceptable. The clock can be driven single-ended, but this will reduce the edge rate and may impact SNR performance. The clock inputs are internally self-biased to AVDD/2 to facilitate AC coupling.

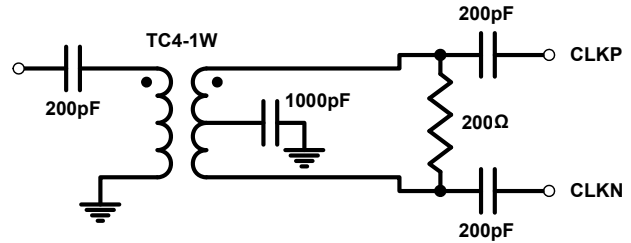


FIGURE 32. RECOMMENDED CLOCK DRIVE

A selectable 2x frequency divider is provided in series with the clock input. The divider can be used in the 2x mode with a sample clock equal to twice the desired sample rate. This allows the use of the Phase Slip feature, which enables synchronization of multiple ADCs.

TABLE 2. CLKDIV PIN SETTINGS

| CLKDIV PIN | DIVIDE RATIO |
|------------|--------------|
| AVSS | 2 |
| Float | 1 |
| AVDD | 4 |

The clock divider can also be controlled through the SPI port, which overrides the CLKDIV pin setting. Details on this are contained in ["Serial Peripheral Interface" on page 24](#).

A Delay-Locked Loop (DLL) generates internal clock signals for various stages within the charge pipeline. If the frequency of the input clock changes, the DLL may take up to 52µs to regain lock at 250MSPS. The lock time is inversely proportional to the sample rate.

Jitter

In a sampled data system, clock jitter directly impacts the achievable SNR performance. The theoretical relationship between clock jitter (t_j) and SNR is shown in [Equation 1](#) and is illustrated in [Figure 33](#).

$$SNR = 20 \log_{10} \left(\frac{1}{2\pi f_{IN} t_J} \right) \quad (EQ. 1)$$

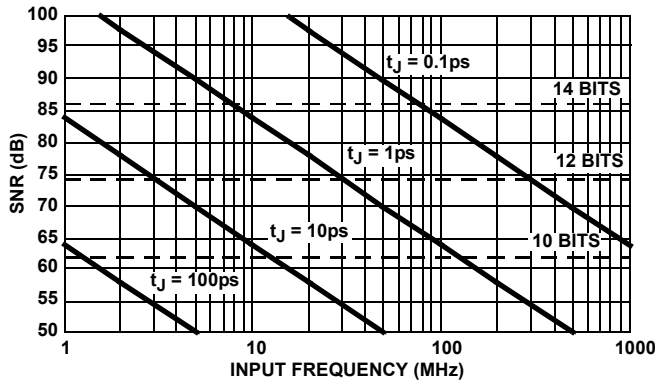


FIGURE 33. SNR vs CLOCK JITTER

This relationship shows the SNR that would be achieved if clock jitter were the only non-ideal factor. In reality, achievable SNR is limited by internal factors such as linearity, aperture jitter and thermal noise. Internal aperture jitter is the uncertainty in the sampling instant shown in [Figure 4 on page 13](#). The internal aperture jitter combines with the input clock jitter in a root-sum-square fashion, since they are not statistically correlated, and this determines the total jitter in the system. The total jitter, combined with other noise sources, then determines the achievable SNR.

Voltage Reference

A temperature compensated voltage reference provides the reference charges used in the successive approximation operations. The full-scale range of each A/D is proportional to the reference voltage. The voltage reference is internally bypassed and is not accessible to the user.

Digital Outputs

Output data is available as a parallel bus in LVDS-compatible or CMOS modes. Additionally, the data can be presented in either Double Data Rate (DDR) or Single Data Rate (SDR) formats. The even numbered data output pins are active in DDR mode in the 72 Ld package option. When CLKOUT is low the MSB and all odd logical bits are output, while on the high phase the LSB and all even logical bits are presented (this is true in both the 72 Ld and 48 Ld package options). [Figures 4 and 5](#) show the timing relationships for LVDS/CMOS and DDR/SDR modes.

The 48 Ld QFN package option contains six LVDS data output pin pairs, and therefore can only support DDR mode.

Additionally, the drive current for LVDS mode can be set to a nominal 3mA or a power-saving 2mA. The lower current setting can be used in designs where the receiver is in close physical proximity to the ADC. The applicability of this setting is dependent upon the PCB layout, therefore the user should experiment to determine if performance degradation is observed.

The output mode and LVDS drive current are selected via the OUTMODE pin as shown in [Table 3](#).

TABLE 3. OUTMODE PIN SETTINGS

| OUTMODE PIN | MODE |
|-------------|-----------|
| AVSS | LVC MOS |
| Float | LVDS, 3mA |
| AVDD | LVDS, 2mA |

The output mode can also be controlled through the SPI port, which overrides the OUTMODE pin setting. Details on this are contained in [“Serial Peripheral Interface” on page 24](#).

An external resistor creates the bias for the LVDS drivers. A 10kΩ, 1% resistor must be connected from the RLVS pin to OVSS.

Over Range Indicator

The Over-Range (OR) bit is asserted when the output code reaches positive full-scale (e.g. 0xFF in offset binary mode). The output code does not wrap around during an over-range condition. The OR bit is updated at the sample rate.

Power Dissipation

The power dissipated by the KAD5512P is primarily dependent on the sample rate and the output modes: LVDS vs CMOS and DDR vs SDR. There is a static bias in the analog supply, while the remaining power dissipation is linearly related to the sample rate. The output supply dissipation is approximately constant in LVDS mode, but linearly related to the clock frequency in CMOS mode. [Figures 37 and 38](#) illustrate these relationships.

Nap/Sleep

Portions of the device may be shut down to save power during times when operation of the ADC is not required. Two power saving modes are available: Nap and Sleep. Nap mode reduces power dissipation to less than 98.6mW and recovers to normal operation in approximately 1μs. Sleep mode reduces power dissipation to less than 6mW but requires approximately 1ms to recover from a sleep command.

Wake-up time from sleep mode is dependent on the state of CSB; in a typical application CSB would be held high during sleep, requiring a user to wait 150μs maximum after CSB is asserted (brought low) prior to writing ‘001x’ to SPI Register 25. The device would be fully powered up, in normal mode 1ms after this command is written.

Wake-up from Sleep Mode Sequence (CSB high)

- Pull CSB Low
- Wait 150μs
- Write ‘001x’ to Register 25
- Wait 1ms until ADC fully powered on

In an application where CSB was kept low in sleep mode, the 150μs CSB set-up time is not required as the SPI registers are powered on when CSB is low, the chip power dissipation increases by ~ 15mW in this case. The 1ms wake-up time after the write of a ‘001x’ to register 25 still applies. It is generally recommended to keep CSB high in sleep mode to avoid any unintentional SPI activity on the ADC.

All digital outputs (Data, CLKOUT and OR) are placed in a high impedance state during Nap or Sleep. The input clock should remain running and at a fixed frequency during Nap or Sleep, and CSB should be high. Recovery time from Nap mode will increase if the clock is stopped, since the internal DLL can take up to 52µs to regain lock at 250MSPS.

By default after the device is powered on, the operational state is controlled by the NAPSLP pin as shown in [Table 4](#).

TABLE 4. NAPSLP PIN SETTINGS

| NAPSLP PIN | MODE |
|------------|--------|
| AVSS | Normal |
| Float | Sleep |
| AVDD | Nap |

The power-down mode can also be controlled through the SPI port, which overrides the NAPSLP pin setting. Details on this are contained in [“Serial Peripheral Interface” on page 24](#). This is an indexed function when controlled from the SPI, but a global function when driven from the pin.

Data Format

Output data can be presented in three formats: two’s complement, Gray code and offset binary. The data format is selected via the OUTFMT pin as shown in [Table 5](#).

TABLE 5. OUTFMT PIN SETTINGS

| OUTFMT PIN | MODE |
|------------|------------------|
| AVSS | Offset Binary |
| Float | Two’s Complement |
| AVDD | Gray Code |

The data format can also be controlled through the SPI port, which overrides the OUTFMT pin setting. Details on this are contained in [“Serial Peripheral Interface” on page 24](#).

Offset binary coding maps the most negative input voltage to code 0x000 (all zeros) and the most positive input to 0xFF (all ones). Two’s complement coding simply complements the MSB of the offset binary representation.

TABLE 6. INPUT VOLTAGE TO OUTPUT CODE MAPPING

| INPUT VOLTAGE | OFFSET BINARY | TWO’S COMPLEMENT | GRAY CODE |
|--------------------|------------------|------------------|------------------|
| -Full-Scale | 000 00 000 00 00 | 100 00 000 00 00 | 000 00 000 00 00 |
| -Full-Scale + 1LSB | 000 00 000 00 01 | 100 00 000 00 01 | 000 00 000 00 01 |
| Mid-Scale | 100 00 000 00 00 | 000 00 000 00 00 | 110 00 000 00 00 |
| +Full-Scale - 1LSB | 111 11 111 11 10 | 011 11 111 11 10 | 100 00 000 00 01 |
| +Full-Scale | 111 11 111 11 11 | 011 11 111 111 1 | 100 00 000 00 00 |

When calculating Gray code the MSB is unchanged. The remaining bits are computed as the XOR of the current bit position and the next most significant bit. [Figure 34](#) shows this operation.

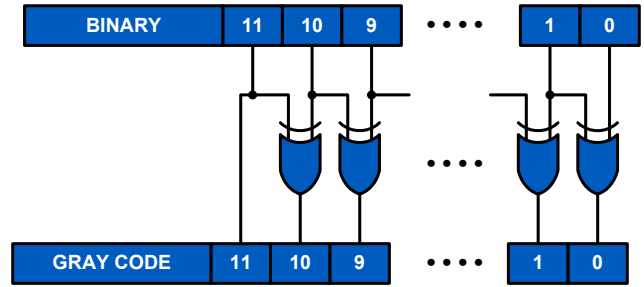


FIGURE 34. BINARY TO GRAY CODE CONVERSION

Converting back to offset binary from Gray code must be done recursively, using the result of each bit for the next lower bit as shown in [Figure 35](#).

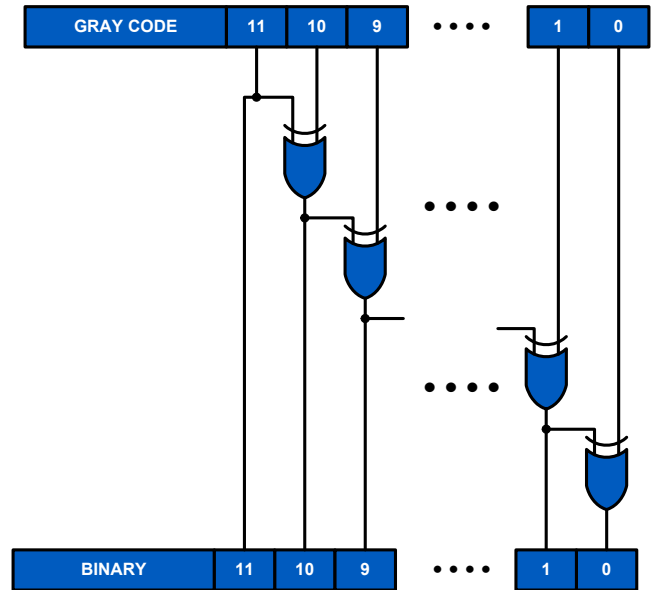


FIGURE 35. GRAY CODE TO BINARY CONVERSION

Mapping of the input voltage to the various data formats is shown in [Table 6](#).

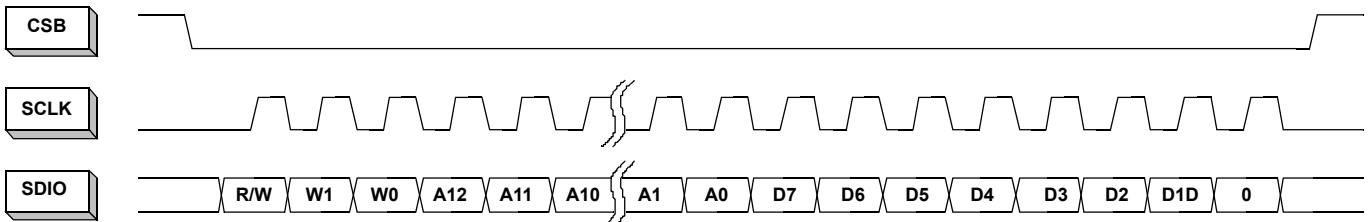


FIGURE 36. MSB-FIRST ADDRESSING

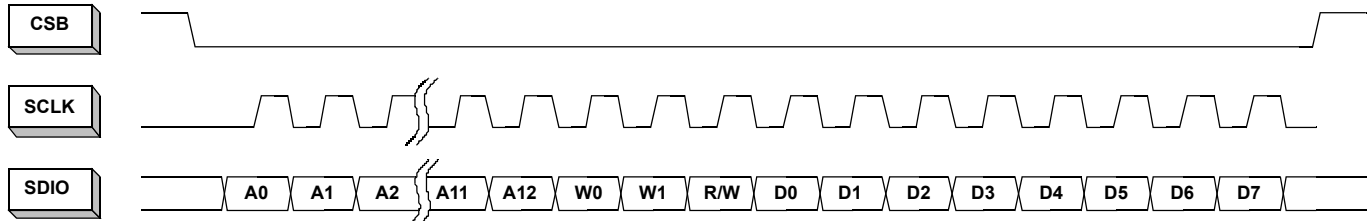
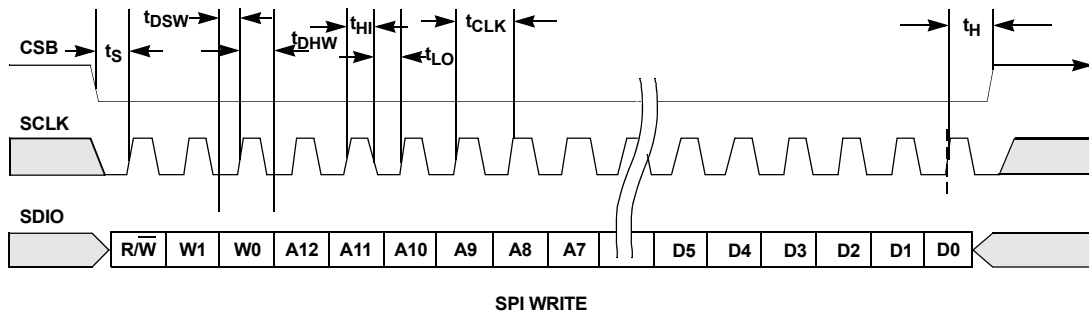
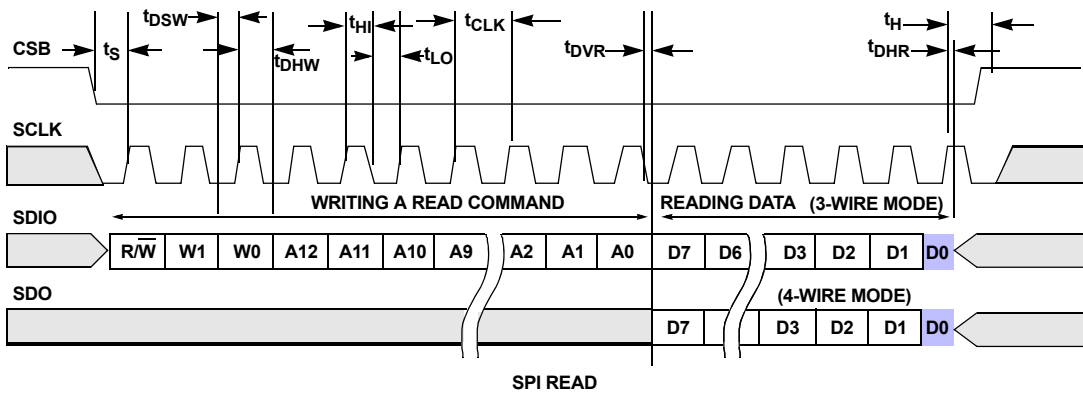


FIGURE 37. LSB-FIRST ADDRESSING



SPI WRITE

FIGURE 38. SPI WRITE



SPI READ

FIGURE 39. SPI READ

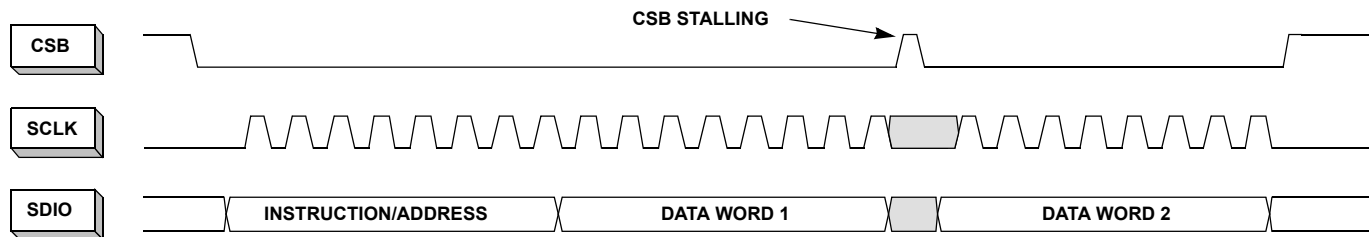


FIGURE 40. 2-BYTE TRANSFER

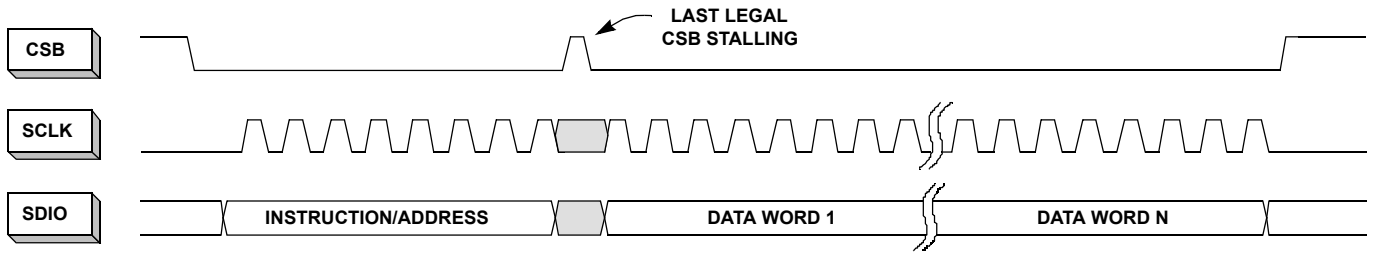


FIGURE 41. N-BYTE TRANSFER

Serial Peripheral Interface

A Serial Peripheral Interface (SPI) bus is used to facilitate configuration of the device and to optimize performance. The SPI bus consists of Chip Select Bar (CSB), Serial Clock (SCLK) Serial Data Output (SDO), and Serial Data Input/Output (SDIO). The maximum SCLK rate is equal to the ADC sample rate (f_{SAMPLE}) divided by 16 for write operations and f_{SAMPLE} divided by 66 for reads. At $f_{\text{SAMPLE}} = 250\text{MHz}$, maximum SCLK is 15.63MHz for writing and 3.79MHz for read operations. There is no minimum SCLK rate.

The following sections describe various registers that are used to configure the SPI or adjust performance or functional parameters. Many registers in the available address space (0x00 to 0xFF) are not defined in this document. Additionally, within a defined register there may be certain bits or bit combinations that are reserved. Undefined registers and undefined values within defined registers are reserved and should not be selected. Setting any reserved register or value may produce indeterminate results.

SPI Physical Interface

The Serial Clock (SCLK) pin provides synchronization for the data transfer. By default, all data is presented on the Serial Data Input/Output (SDIO) pin in 3-wire mode. The state of the SDIO pin is set automatically in the communication protocol (described below). A dedicated Serial Data Output (SDO) pin can be activated by setting 0x00[7] high to allow operation in 4-wire mode.

SDO should always be connected to 0VDD with a 4.7kΩ resistor even if not used. If the 4.7kΩ resistor is not present the ADC will not exit the reset state.

The SPI port operates in a half duplex master/slave configuration, with the KAD5512P functioning as a slave. Multiple slave devices can interface to a single master in 3-wire mode only, since the SDO output of an unaddressed device is asserted in 4-wire mode.

The Chip Select Bar (CSB) pin determines when a slave device is being addressed. Multiple slave devices can be written to concurrently, but only one slave device can be read from at a given time (again, only in 3-wire mode). If multiple slave devices are selected for reading at the same time, the results will be indeterminate.

The communication protocol begins with an instruction/address phase. The first rising SCLK edge following a HIGH to LOW transition on CSB determines the beginning of the two-byte instruction/address command; SCLK must be static low before the CSB transition. Data can be presented in MSB-first order or

LSB-first order. The default is MSB-first, but this can be changed by setting 0x00[6] high. Figures 36 and 37 show the appropriate bit ordering for the MSB-first and LSB-first modes, respectively. In MSB-first mode the address is incremented for multi-byte transfers, while in LSB-first mode it's decremented.

In the default mode, the MSB is R/W, which determines if the data is to be read (active high) or written. The next two bits, W1 and W0, determine the number of data bytes to be read or written (see Table 7). The lower 13 bits contain the first address for the data transfer. This relationship is illustrated in Figure 38, and timing values are given in "Switching Specifications" on page 14.

After the instruction/address bytes have been read, the appropriate number of data bytes are written to or read from the ADC (based on the R/W bit status). The data transfer will continue as long as CSB remains low and SCLK is active. Stalling of the CSB pin is allowed at any byte boundary (instruction/address or data) if the number of bytes being transferred is three or less. For transfers of four bytes or more, CSB is allowed stall in the middle of the instruction/address bytes or before the first data byte. If CSB transitions to a high state after that point the state machine will reset and terminate the data transfer.

TABLE 7. BYTE TRANSFER SELECTION

| [W1:W0] | BYTES TRANSFERRED |
|---------|-------------------|
| 00 | 1 |
| 01 | 2 |
| 10 | 3 |
| 11 | 4 or more |

Figures 40 and 41 illustrate the timing relationships for 2-byte and N-byte transfers, respectively. The operation for a 3-byte transfer can be inferred from these diagrams.

SPI Configuration

ADDRESS 0x00: CHIP_PORT_CONFIG

Bit ordering and SPI reset are controlled by this register. Bit order can be selected as MSB to LSB (MSB first) or LSB to MSB (LSB first) to accommodate various microcontrollers.

Bit 7 SDO Active

Bit 6 LSB First

Setting this bit high configures the SPI to interpret serial data as arriving in LSB to MSB order.

Bit 5 Soft Reset

Setting this bit high resets all SPI registers to default values.

Bit 4 Reserved

This bit should always be set high.

Bits 3:0 These bits should always mirror bits 4:7 to avoid ambiguity in bit ordering.

ADDRESS 0x02: BURST_END

If a series of sequential registers are to be set, burst mode can improve throughput by eliminating redundant addressing. In 3-wire SPI mode the burst is ended by pulling the CSB pin high. If the device is operated in 2-wire mode the CSB pin is not available. In that case, setting the burst_end address determines the end of the transfer. During a write operation, the user must be cautious to transmit the correct number of bytes based on the starting and ending addresses.

Bits 7:0 Burst End Address

This register value determines the ending address of the burst data.

Device Information**ADDRESS 0x08: CHIP_ID****ADDRESS 0x09: CHIP_VERSION**

The generic die identifier and a revision number, respectively, can be read from these two registers.

Indexed Device Configuration/Control**ADDRESS 0x10: DEVICE_INDEX_A**

A common SPI map, which can accommodate single-channel or multi-channel devices, is used for all Intersil ADC products. Certain configuration commands (identified as indexed in the SPI map) can be executed on a per-converter basis. This register determines which converter is being addressed for an Indexed command. It is important to note that only a single converter can be addressed at a time.

This register defaults to 00h, indicating that no ADC is addressed. Therefore Bit 0 must be set high in order to execute any Indexed commands. Error code 'AD' is returned if any indexed register is read from without properly setting device_index_A.

ADDRESS 0x20: OFFSET_COARSE AND**ADDRESS 0x21: OFFSET_FINE**

The input offset of the ADC core can be adjusted in fine and coarse steps. Both adjustments are made via an 8-bit word as detailed in [Table 8](#).

The default value of each register will be the result of the self-calibration after initial power-up. If a register is to be incremented or decremented, the user should first read the

register value then write the incremented or decremented value back to the same register.

TABLE 8. OFFSET ADJUSTMENTS

| PARAMETER | 0x20[7:0] COARSE OFFSET | 0x21[7:0] FINE OFFSET |
|--------------------|----------------------------|--------------------------|
| Steps | 255 | 255 |
| -Full-Scale (0x00) | -133 LSB (-47mV) | -5 LSB (-1.75mV) |
| Mid-Scale (0x80) | 0.0 LSB (0.0mV) | 0.0LSB |
| +Full-Scale (0xFF) | +133 LSB (+47mV) | +5 LSB (+1.75mV) |
| Nominal Step Size | 1.04 LSB (0.37mV) | 0.04 LSB (0.014mV) |

ADDRESS 0x22: GAIN_COARSE**ADDRESS 0x23: GAIN_MEDIUM****ADDRESS 0x24: GAIN_FINE**

Gain of the ADC core can be adjusted in coarse, medium and fine steps. Coarse gain is a 4-bit adjustment while medium and fine are 8-bit. Multiple Coarse Gain Bits can be set for a total adjustment range of $\pm 4.2\%$ ('0011' = -4.2% and '1100' = +4.2%). It is recommended to use one of the coarse gain settings (-4.2%, -2.8%, -1.4%, 0, 1.4%, 2.8%, 4.2%) and fine-tune the gain using the registers at 23h and 24h.

The default value of each register will be the result of the self-calibration after initial power-up. If a register is to be incremented or decremented, the user should first read the register value then write the incremented or decremented value back to the same register.

TABLE 9. COARSE GAIN ADJUSTMENT

| 0x22[3:0] | NOMINAL COARSE GAIN ADJUST (%) |
|-----------|--------------------------------|
| Bit 3 | +2.8 |
| Bit 2 | +1.4 |
| Bit 1 | -2.8 |
| Bit 0 | -1.4 |

TABLE 10. MEDIUM AND FINE GAIN ADJUSTMENTS

| PARAMETER | 0x23[7:0] MEDIUM GAIN | 0x24[7:0] FINE GAIN |
|--------------------|--------------------------|------------------------|
| Steps | 256 | 256 |
| -Full-Scale (0x00) | -2% | -0.20% |
| Mid-Scale (0x80) | 0.00% | 0.00% |
| +Full-Scale (0xFF) | +2% | +0.2% |
| Nominal Step Size | 0.016% | 0.0016% |

ADDRESS 0x25: MODES

Two distinct reduced power modes can be selected. By default, the tri-level NAPSLP pin can select normal operation or sleep modes (refer to "[Nap/Sleep](#)" on page 21). This functionality can be overridden and controlled through the SPI. This is an indexed

function when controlled from the SPI, but a global function when driven from the pin. This register is not changed by a soft reset.

TABLE 11. POWER-DOWN CONTROL

| VALUE | 0x25[2:0] POWER-DOWN MODE |
|-------|------------------------------|
| 000 | Pin Control |
| 001 | Normal Operation |
| 010 | Nap Mode |
| 100 | Sleep Mode |

Nap mode must be entered by executing the following sequence:

| SEQUENCE | REGISTER | VALUE |
|----------|----------|-------|
| 1 | 0x10 | 0x01 |
| 2 | 0x25 | 0x02 |
| 3 | 0x10 | 0x02 |
| 4 | 0x25 | 0x02 |

Return to Normal operation as follows:

| SEQUENCE | REGISTER | VALUE |
|----------|----------|-------|
| 1 | 0x10 | 0x01 |
| 2 | 0x25 | 0x01 |
| 3 | 0x10 | 0x02 |
| 4 | 0x25 | 0x01 |

Global Device Configuration/Control

ADDRESS 0x71: PHASE_SLIP

When using the clock divider, it's not possible to determine the synchronization of the incoming and divided clock phases. This is particularly important when multiple ADCs are used in a time-interleaved system. The phase slip feature allows the rising edge of the divided clock to be advanced by one input clock cycle when in CLK/4 mode, as shown in [Figure 42](#). Execution of a phase_slip command is accomplished by first writing a '0' to Bit 0 at address 71h followed by writing a '1' to Bit 0 at address 71h (32 sclk cycles).

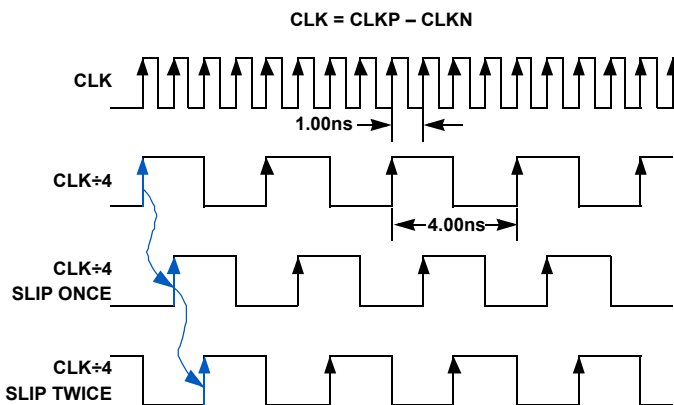


FIGURE 42. PHASE SLIP: CLK÷4 MODE, f_{CLOCK} = 1000MHz

ADDRESS 0x72: CLOCK_DIVIDE

The KAD5512P has a selectable clock divider that can be set to divide by four, two or one (no division). By default, the tri-level CLKDIV pin selects the divisor (refer to [“VCM Output” on page 20](#)). This functionality can be overridden and controlled through the SPI, as shown in [Table 12](#). This register is not changed by a soft reset.

TABLE 12. CLOCK DIVIDER SELECTION

| VALUE | 0x72[2:0] CLOCK DIVIDER |
|-------|----------------------------|
| 000 | Pin Control |
| 001 | Divide by 1 |
| 010 | Divide by 2 |
| 100 | Divide by 4 |

ADDRESS 0x73: OUTPUT_MODE_A

The output_mode_A register controls the physical output format of the data, as well as the logical coding. The KAD5512P can present output data in two physical formats: LVDS or LVCMOS. Additionally, the drive strength in LVDS mode can be set high (3mA) or low (2mA). By default, the tri-level OUTMODE pin selects the mode and drive level (refer to [“Digital Outputs” on page 21](#)). This functionality can be overridden and controlled through the SPI, as shown in [Table 13](#).

Data can be coded in three possible formats: two's complement, Gray code or offset binary. By default, the tri-level OUTFMT pin selects the data format (refer to [“Data Format” on page 22](#)). This functionality can be overridden and controlled through the SPI, as shown in [Table 14](#).

This register is not changed by a soft reset.

TABLE 13. OUTPUT MODE CONTROL

| VALUE | 0x93[7:5] |
|-------|-------------|
| 000 | Pin Control |
| 001 | LVDS 2mA |
| 010 | LVDS 3mA |
| 100 | LVCMOS |

TABLE 14. OUTPUT FORMAT CONTROL

| VALUE | 0x93[2:0] OUTPUT FORMAT |
|-------|----------------------------|
| 000 | Pin Control |
| 001 | Two's Complement |
| 010 | Gray Code |
| 100 | Offset Binary |

ADDRESS 0x74: OUTPUT_MODE_B

ADDRESS 0x75: CONFIG_STATUS

Bit 6 DLL Range

This bit sets the DLL operating range to fast (default) or slow.

Internal clock signals are generated by a Delay-Locked Loop (DLL), which has a finite operating range. Table 15 shows the allowable sample rate ranges for the slow and fast settings.

TABLE 15. DLL RANGES

| DLL RANGE | MIN | MAX | UNIT |
|-----------|-----|--------------------|------|
| Slow | 40 | 100 | MSPS |
| Fast | 80 | f _S MAX | MSPS |

The output_mode_B and config_status registers are used in conjunction to enable DDR mode and select the frequency range of the DLL clock generator. The method of setting these options is different from the other registers.

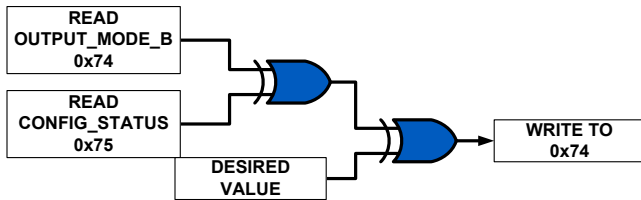


FIGURE 43. SETTING OUTPUT_MODE_B REGISTER

The procedure for setting output_mode_B is shown in Figure 43. Read the contents of output_mode_B and config_status and XOR them. Then XOR this result with the desired value for output_mode_B and write that XOR result to the register.

Device Test

The KAD5512 can produce preset or user defined patterns on the digital outputs to facilitate in situ testing. A static word can be placed on the output bus, or two different words can alternate. In the alternate mode, the values defined as Word 1 and Word 2 (as shown in Table 16) are set on the output bus on alternating clock phases. The test mode is enabled asynchronously to the sample clock, therefore several sample clock cycles may elapse before the data is present on the output bus.

ADDRESS 0xC0: TEST_IO

Bits 7:6 User Test Mode

These bits set the test mode to static (0x00) or alternate (0x01) mode. Other values are reserved.

The four LSBs in this register (Output Test Mode) determine the test pattern in combination with registers 0xC2 through 0xC5. Refer to Table 18.

TABLE 16. OUTPUT TEST MODES

| VALUE | 0xC0[3:0] OUTPUT TEST MODE | WORD 1 | WORD 2 |
|-------|----------------------------|--------|--------|
| 0000 | Off | | |
| 0001 | Midscale | 0x8000 | N/A |

TABLE 16. OUTPUT TEST MODES (Continued)

| VALUE | 0xC0[3:0] OUTPUT TEST MODE | WORD 1 | WORD 2 |
|-------|----------------------------|------------|------------|
| 0010 | Positive Full-Scale | 0xFFFF | N/A |
| 0011 | Negative Full-Scale | 0x0000 | N/A |
| 0100 | Checkerboard | 0xAAAA | 0x5555 |
| 0101 | Reserved | N/A | N/A |
| 0110 | Reserved | N/A | N/A |
| 0111 | One/Zero | 0xFFFF | 0x0000 |
| 1000 | User Pattern | user_patt1 | user_patt2 |

ADDRESS 0xC2: USER_PATT1_LSB AND

ADDRESS 0xC3: USER_PATT1_MSB

These registers define the lower and upper eight bits, respectively, of the first user-defined test word.

ADDRESS 0xC4: USER_PATT2_LSB AND

ADDRESS 0xC5: USER_PATT2_MSB

These registers define the lower and upper eight bits, respectively, of the second user-defined test word.

72 Ld/48 Ld Package Options

The KAD5512 is available in both 72 Ld and 48 Ld packages. The 48 Ld package option supports LVDS DDR only. A reduced set of pin selectable functions are available in the 48 Ld package due to the reduced pinout; (OUTMODE, OUTFMT, and CLKDIV pins are not available). Table 17 shows the default state for these functions for the 48 Ld package. Note that these functions are available through the SPI, allowing a user to set these modes as they desire, offering the same flexibility as the 72 Ld package option. DC and AC performance of the ADC is equivalent for both package options.

TABLE 17. 48 LD SPI - ADDRESSABLE FUNCTIONS

| FUNCTION | DESCRIPTION | DEFAULT STATE |
|----------|--------------------|------------------|
| CLKDIV | Clock Divider | Divide by 1 |
| OUTMODE | Output Driver Mode | LVDS, 3mA (DDR) |
| OUTFMT | Data Coding | Two's Complement |

SPI Memory Map

TABLE 18. SPI MEMORY MAP

| | ADDR (HEX) | PARAMETER NAME | BIT 7 (MSB) | BIT 6 | BIT 5 | BIT 4 | BIT 3 | BIT 2 | BIT 1 | BIT 0 (LSB) | DEF. VALUE (HEX) | INDEXED/GLOBAL | |
|-------------------------------|------------|----------------|--|-----------------------------------|------------|---|-------|--|--|-----------------|------------------|-----------------------------------|---|
| SPI CONFIG | 00 | port_config | SDO Active | LSB First | Soft Reset | | | Mirror (Bit 5) | Mirror (Bit 6) | Mirror (Bit 7) | 00h | G | |
| | 01 | reserved | Reserved | | | | | | | | | | |
| | 02 | burst_end | Burst end address [7:0] | | | | | | | | | 00h | G |
| | 03-07 | reserved | Reserved | | | | | | | | | | |
| INFO | 08 | chip_id | Chip ID # | | | | | | | | | Read only | G |
| | 09 | chip_version | Chip Version # | | | | | | | | | Read only | G |
| INDEXED DEVICE CONFIG/CONTROL | 10 | device_index_A | Reserved | | | | | | | ADC00 | 00h | I | |
| | 11-1F | reserved | Reserved | | | | | | | | | | |
| | 20 | offset_coarse | Coarse Offset | | | | | | | | | cal. value | I |
| | 21 | offset_fine | Fine Offset | | | | | | | | | cal. value | I |
| | 22 | gain_coarse | Reserved | | | | | Coarse Gain | | | | cal. value | I |
| | 23 | gain_medium | Medium Gain | | | | | | | | | cal. value | I |
| | 24 | gain_fine | Fine Gain | | | | | | | | | cal. value | I |
| | 25 | modes | Reserved | | | | | | Power-Down Mode [2:0] 000 = Pin Control 001 = Normal Operation 010 = Nap 100 = Sleep Other Codes = Reserved | | | 00h NOT affected by Soft Reset | I |
| | 26-5F | reserved | Reserved | | | | | | | | | | |
| 60-6F | reserved | Reserved | | | | | | | | | | | |
| GLOBAL DEVICE CONFIG/CONTROL | 70 | reserved | Reserved | | | | | | | | | | |
| | 71 | phase_slip | Reserved | | | | | | | Next Clock Edge | 00h | G | |
| | 72 | clock_divide | | | | | | | Clock Divide [2:0] 000 = Pin Control 001 = Divide by 1 010 = Divide by 2 100 = Divide by 4 Other Codes = Reserved | | | 00h NOT affected by Soft Reset | G |
| | 73 | output_mode_A | Output Mode [2:0] 000 = Pin Control 001 = LVDS 2mA 010 = LVDS 3mA 100 = LVCMOS Other Codes = Reserved | | | | | Output Format [2:0] 000 = Pin Control 001 = Two's Complement 010 = Gray Code 100 = Offset Binary Other Codes = Reserved | | | | 00h NOT affected by Soft Reset | G |
| | 74 | output_mode_B | | DLL Range 0 = Fast 1 = Slow | | DDR Enable (Note 15) | | | | | | 00h NOT affected by Soft Reset | G |
| | 75 | config_status | | XOR Result | | XOR Result | | | | | | Read Only | G |
| | 76-BF | reserved | Reserved | | | | | | | | | | |

TABLE 18. SPI MEMORY MAP (Continued)

| ADDR (HEX) | PARAMETER NAME | BIT 7 (MSB) | BIT 6 | BIT 5 | BIT 4 | BIT 3 | BIT 2 | BIT 1 | BIT 0 (LSB) | DEF. VALUE (HEX) | INDEXED/ GLOBAL | |
|-------------|----------------|----------------|---|-------|-------|--|-------|-------|---|------------------|-----------------|---|
| DEVICE TEST | C0 | test_io | User Test Mode [1:0] 00 = Single 01 = Alternate 10 = Reserved 11 = Reserved | | | Output Test Mode [3:0] | | | | | 00h | G |
| | | | | | | 0 = Off 1 = Midscale Short 2 = +FS Short 3 = -FS Short 4 = Checker Board 5 = Reserved 6 = Reserved | | | 7 = One/Zero Word Toggle 8 = User Input 9-15 = Reserved | | | |
| | C1 | Reserved | Reserved | | | | | | | | 00h | G |
| | C2 | user_patt1_lsb | B7 | B6 | B5 | B4 | B3 | B2 | B1 | B0 | 00h | G |
| | C3 | user_patt1_msb | B15 | B14 | B13 | B12 | B11 | B10 | B9 | B8 | 00h | G |
| | C4 | user_patt2_lsb | B7 | B6 | B5 | B4 | B3 | B2 | B1 | B0 | 00h | G |
| | C5 | user_patt2_msb | B15 | B14 | B13 | B12 | B11 | B10 | B9 | B8 | 00h | G |
| C6-FF | Reserved | Reserved | | | | | | | | | | |

NOTE:

15. At power-up, the DDR Enable bit is at a logic '0' for the 72 Ld package and set to a logic '1' internally for the 48 Ld package by an internal pull-up.

Equivalent Circuits

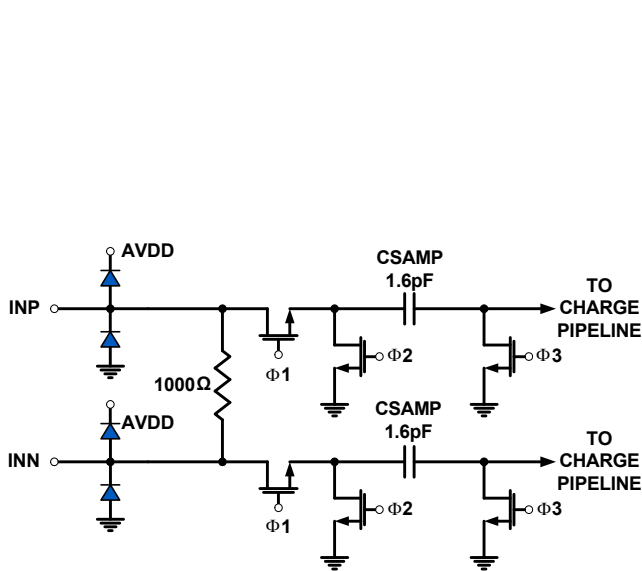


FIGURE 44. ANALOG INPUTS

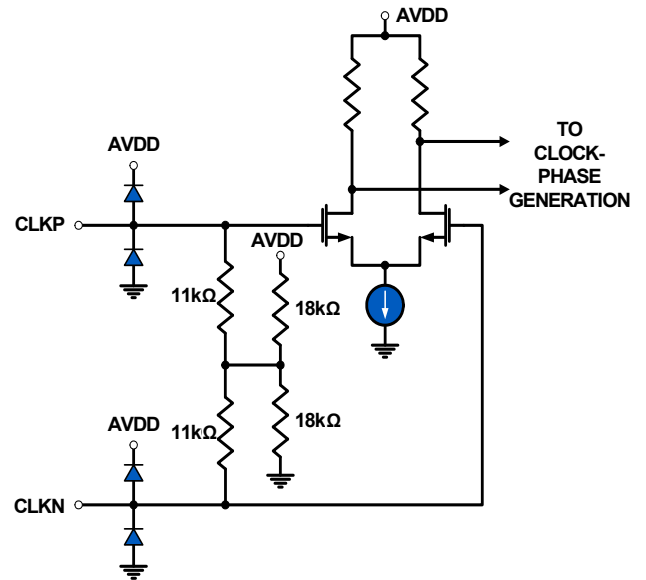


FIGURE 45. CLOCK INPUTS

Equivalent Circuits (Continued)

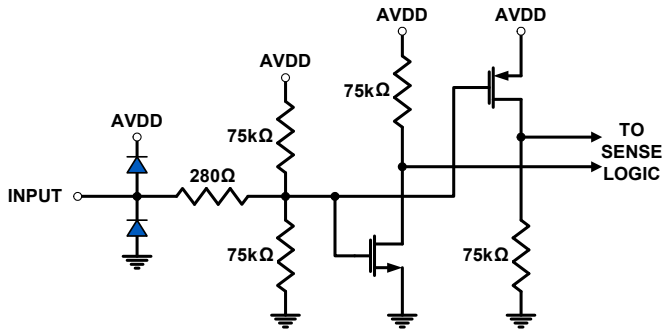


FIGURE 46. TRI-LEVEL DIGITAL INPUTS

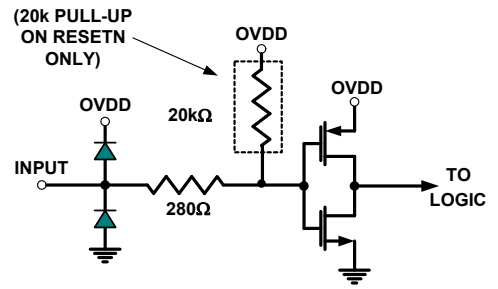


FIGURE 47. DIGITAL INPUTS

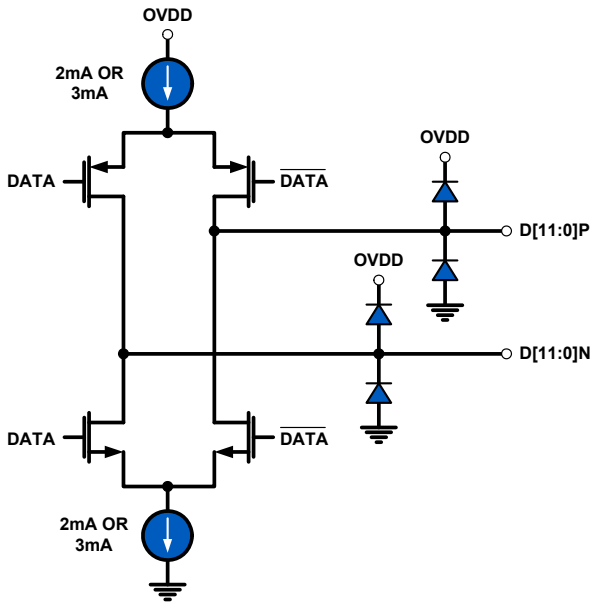


FIGURE 48. LVDS OUTPUTS

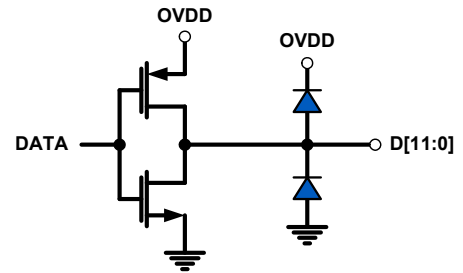


FIGURE 49. CMOS OUTPUTS

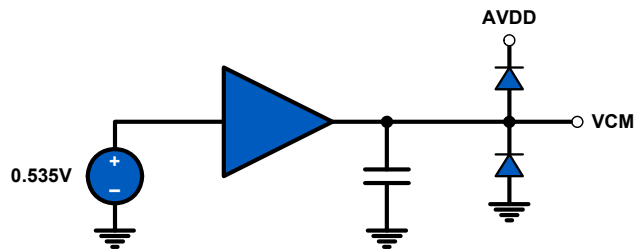


FIGURE 50. VCM_OUT OUTPUT

ADC Evaluation Platform

Intersil offers an ADC Evaluation platform which can be used to evaluate any of the KADxxxx ADC family. The platform consists of a FPGA based data capture motherboard and a family of ADC daughtercards. This USB based platform allows a user to quickly evaluate the ADC's performance at a user's specific application frequency requirements. More information is available at:

http://www.intersil.com/converters/adc_eval_platform/

Layout Considerations

PCB Layout Example

For an example application circuit and PCB layout, please refer to the evaluation board documentation:

[KAD5512P-25](#)

[KAD5512P-21](#)

[KAD5512P-17](#)

[KAD5512P-12](#)

There are separate evaluation boards for the 48 Ld and 72 Ld packages.

Split Ground and Power Planes

Data converters operating at high sampling frequencies require extra care in PC board layout. Many complex board designs benefit from isolating the analog and digital sections. Analog supply and ground planes should be laid out under signal and clock inputs. Locate the digital planes under outputs and logic pins. Grounds should be joined under the chip.

Clock Input Considerations

Use matched transmission lines to the transformer inputs for the analog input and clock signals. Locate transformers and terminations as close to the chip as possible.

Exposed Paddle

The exposed paddle must be electrically connected to analog ground (AVSS) and should be connected to a large copper plane using numerous vias for optimal thermal performance.

Bypass and Filtering

Bulk capacitors should have low equivalent series resistance. Tantalum is a good choice. For best performance, keep ceramic bypass capacitors very close to device pins. Longer traces will increase inductance, resulting in diminished dynamic performance and accuracy. Make sure that connections to ground are direct and low impedance. Avoid forming ground loops.

LVDS Outputs

Output traces and connections must be designed for 50 Ω (100 Ω differential) characteristic impedance. Keep traces direct and minimize bends where possible. Avoid crossing ground and power-plane breaks with signal traces.

LVCMOS Outputs

Output traces and connections must be designed for 50 Ω characteristic impedance.

Unused Inputs

Standard logic inputs (RESETN, CSB, SCLK and SDIO), which will not be operated do not require connection to ensure optimal ADC performance. These inputs can be left floating if they are not used. The SDO output must be connected to OVDD with a 4.7k Ω resistor or the ADC will not exit the reset state. Tri-level inputs (NAPSLP, OUTMODE, OUTFMT and CLKDIV) accept a floating input as a valid state, and therefore should be biased according to the desired functionality.

General PowerPAD Design Considerations

The following figure is a generic illustration of how to use vias to remove heat from a QFN package with an exposed thermal pad. A specific example can be found in the evaluation board PCB layout previously referenced.

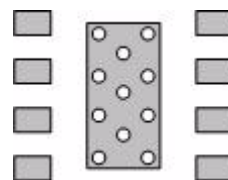


FIGURE 51. PCB VIA PATTERN

Filling the exposed thermal pad area with vias provides optimum heat transfer to the PCB's internal plane(s). Vias should be evenly distributed from edge-to-edge on the exposed pad to maintain a constant temperature across the entire pad. Setting the center-to-center spacing of the vias at three times the via pad radius will provide good heat transfer for high power devices. The vias below the KAD5512P may be spaced further apart as shown on the evaluation board since it is a low-power device. The via diameter should be small but not too small to allow solder wicking during reflow. PCB fabrication and assembly companies can provide specific guidelines based on the layer stack and assembly process.

Connect all vias under the KAD5512P to AVSS. It is important to maximize the heat transfer by avoiding the use of "thermal relief" patterns when connecting the vias to the internal AVSS plane(s).

Definitions

Analog Input Bandwidth is the analog input frequency at which the spectral output power at the fundamental frequency (as determined by FFT analysis) is reduced by 3dB from its full-scale low-frequency value. This is also referred to as full power bandwidth.

Aperture Delay or Sampling Delay is the time required after the rise of the clock input for the sampling switch to open, at which time the signal is held for conversion.

Aperture Jitter is the RMS variation in aperture delay for a set of samples.

Clock Duty Cycle is the ratio of the time the clock wave is at logic high to the total time of one clock period.

Differential Non-Linearity (DNL) is the deviation of any code width from an ideal 1 LSB step.

Effective Number of Bits (ENOB) is an alternate method of specifying Signal to Noise-and-Distortion Ratio (SINAD). In dB, it is calculated as: $ENOB = (SINAD - 1.76)/6.02$.

Gain Error is the ratio of the difference between the voltages that cause the lowest and highest code transitions to the full-scale voltage less 2 LSB. It is typically expressed in percent.

Integral Non-Linearity (INL) is the maximum deviation of the ADC's transfer function from a best fit line determined by a least squares curve fit of that transfer function, measured in units of LSBs.

Least Significant Bit (LSB) is the bit that has the smallest value or weight in a digital word. Its value in terms of input voltage is $V_{FS}/(2^{N-1})$ where N is the resolution in bits.

Missing Codes are output codes that are skipped and will never appear at the ADC output. These codes cannot be reached with any input value.

Most Significant Bit (MSB) is the bit that has the largest value or weight.

Pipeline Delay is the number of clock cycles between the initiation of a conversion and the appearance at the output pins of the data.

Power Supply Rejection Ratio (PSRR) is the ratio of the observed magnitude of a spur in the ADC FFT, caused by an AC signal superimposed on the power supply voltage.

Signal to Noise-and-Distortion (SINAD) is the ratio of the RMS signal amplitude to the RMS sum of all other spectral components below one half the clock frequency, including harmonics but excluding DC.

Signal-to-Noise Ratio (without Harmonics) is the ratio of the RMS signal amplitude to the RMS sum of all other spectral components below one-half the sampling frequency, excluding harmonics and DC.

SNR and SINAD are either given in units of dB when the power of the fundamental is used as the reference, or dBFS (dB to full-scale) when the converter's full-scale input power is used as the reference.

Spurious-Free-Dynamic Range (SFDR) is the ratio of the RMS signal amplitude to the RMS value of the largest spurious spectral component. The largest spurious spectral component may or may not be a harmonic.

Revision History

| DATE | REVISION | CHANGE |
|------------------|----------|---|
| May 31, 2016 | FN6807.5 | <p>Updated entire datasheet applying Intersil's new standards.</p> <p>Updated the maximum "Electrical Specifications" for the following:</p> <ul style="list-style-type: none"> -I_{AVDD} (KAD5512P-25):96 to 101 (KAD5512P-21):89 to 94 (KAD5512P-17):82 to 87 (KAD5512P-12):74 to 79 -NAP Mode (KAD5512P-25):95 to 98.6 (KAD5512P-21):91 to 94.6 (KAD5512P-17):88 to 91.6 (KAD5512P-12):84 to 87.6 <p>Updated 95 to 98.6 in "Nap/Sleep" on page 21.</p> <p>Replaced Products section with About Intersil section.</p> |
| October 10, 2010 | FN6807.4 | <p>Throughout: Converted to new Intersil Data sheet Template.</p> <p>Added "" on page 1.</p> <p>Added Note 3 to "Ordering Information" on page 3 ("For Moisture Sensitivity Level (MSL), please see device information page for KAD5512P-25, KAD5512P-21, KAD5512P-17, KAD5512P-12. For more information on MSL please see techbrief TB363.")</p> <p>Added T_{jc} for both 72 & 48 Ld QFNs to "Thermal Information" on page 9.</p> <p>Added Note 5 to page 9 ("For θ_{JC}, the "case temp" location is the center of the exposed metal pad on the package underside.")</p> <p>Added standard over temperature verbiage to common conditions of "Electrical Specifications" table on page 9 ("Boldface limits apply.") Bolded applicable MIN MAX columns.</p> <p>Added "Products" on page 34.</p> <p>Changed the full power bandwidth (analog input bandwidth) from 1.3GHz to 1.5GHz in "Features" on page 1 and in "Full Power Bandwidth" on page 11.</p> <p>Added the CSB and SCLK pins to the pin list for the I_{IH}, I_{IL}, V_{IH} and V_{IL} specs in the "INPUTS" section of the "Digital Specifications" table on page 12.</p> <p>Clarified the sections describing the RESETN external driver requirements in "Power-On Calibration" on page 18 and "User-Initiated Reset" on page 19.</p> <p>Added PAD connection information to "Pin Description" tables and pin configurations.</p> <p>Added "Recommended Operating Conditions" on page 9.</p> <p>Added typical "ICM" on page 9 for KAD5512P-21 along with descriptive text in the "Analog Input" section on page 20.</p> <p>Added "VCM Output" on page 20.</p> <p>Added a note to "SPI Physical Interface" on page 24 and "Unused Inputs" on page 31 indicating the 4.7kΩ resistor required from SDO to OVDD.</p> <p>Added a link to the evaluation boards in the web product folder in "PCB Layout Example" on page 31.</p> <p>Added "General PowerPAD Design Considerations" on page 31.</p> <p>Added "SINGLE-TONE SPECTRUM AT 105MHZ (250MSPS)" on page 1 (same as Figure 18 from "Typical Performance Curves")</p> <p>Moved "PIN-COMPATIBLE FAMILY" from page 1 to page 3. Also, added "Coming Soon" to pre-release devices and added "Package" columns.</p> |
| October 01, 2009 | FN6807.3 | <ol style="list-style-type: none"> 1) Added nap mode, sleep mode wake up times to spec table 2) Added CSB, SCLK Setup time specs for nap, sleep modes 3) Added section showing 72pin/48pin package feature differences and default state for clkdiv, outmode, outfmt page 27 4) Changed SPI setup time specs wording in spec table 5) Added 'Reserved' to SPI memory map at address 25H 6) Renumbered Notes 7) Added test platform link on page 31 8) Added ddr enable Note15 for 48 pin/72 pin options 9) Changed pin description table for 72/48 pin option, added DDR notes 10) Changed multi device note in spi physical interface section to show 3-wire application.page 24 11) Updated digital output section for ddr operation page 21 12) Change to fig 26 and fig 27 and description in text 13) Added connect note for thermal pad 14) Formatted Figures 25 and 26 with Intersil Standards 15) Updated Sinad 10MHz SINAD typical (170MSPS) 16) Updated sleep mode Power spec 17) Change to SPI interface section in spec table, timing in cycles now, added write, read specific timing specs. 18) Updated SPI timing diagrams, Figures 37, 38 19) Updated wakeup time description in "Nap/Sleep" on page 21. 20) Removed calibration note in spec table 21) Updated fig 46 label) 22) Updated cal paragraph in user initiated reset section per DC. |

Revision History (Continued)

| DATE | REVISION | CHANGE |
|------------------|----------|--|
| March 04, 2009 | FN6807.2 | Changed "odd" bits N in Figure 1A - DDR to "even" bits N, Replaced POD L48.7x7E due to changed dimension from "9.80 sq" to "6.80" sq. in land pattern |
| January 16, 2009 | FN6807.1 | P1; revised Key Specs P2; added Part Marking column to Order Info P4; moved Thermal Resistance to Thermal Info table and added Theta JA Note 3 per packaging P4-6; revisions throughout spec tables. Removed note from Elec Specs (Nap Mode must be invoked using SPI.) Added notes 9 and 10 to Switching Specs. P9; revised function for Pin 22 OUTMODE, Pin 23 NAPSLP and Pin 70 OUTFMT P11; revised function for Pin 16 NAPSLP P13-15; Performance curves revised throughout P17; User Initiated Reset - revised 2nd sentence of 1st paragraph P19; Nap/Sleep - revised 1st and 2nd sentences of 2nd paragraph P23; Address 0x24: Gain_Fine; added 2 sentences to end of 1st paragraph. Revised Table 8 P22; Serial Peripheral Interface- 1st paragraph; revised 2nd and 4th sentences. P24; removed Figure (PHASE SLIP: CLK÷2 MODE, fCLOCK = 500MHz) Address 0x71: Phase_slip; added sentence to end of paragraph P27; revised Fig 45 P27; Table 16; revised Bits7:4, Addr C0 Throughout; formatted graphics to Intersil standards |
| December 5, 2008 | FN6807.0 | Converted to intersil template. Assigned file number FN6807. Rev 0 - first release (as preliminary data sheet) with new file number. |
| July 30, 2008 | Rev 1 | Initial Release of Production Data sheet |

About Intersil

Intersil Corporation is a leading provider of innovative power management and precision analog solutions. The company's products address some of the largest markets within the industrial and infrastructure, mobile computing and high-end consumer markets.

For the most updated datasheet, application notes, related documentation and related parts, please see the respective product information page found at www.intersil.com.

You may report errors or suggestions for improving this datasheet by visiting www.intersil.com/ask.

Reliability reports are also available from our website at www.intersil.com/support.

© Copyright Intersil Americas LLC 2008-2016. All Rights Reserved.
All trademarks and registered trademarks are the property of their respective owners.

For additional products, see www.intersil.com/en/products.html

Intersil products are manufactured, assembled and tested utilizing ISO9001 quality systems as noted in the quality certifications found at www.intersil.com/en/support/qualandreliability.html

Intersil products are sold by description only. Intersil may modify the circuit design and/or specifications of products at any time without notice, provided that such modification does not, in Intersil's sole judgment, affect the form, fit or function of the product. Accordingly, the reader is cautioned to verify that datasheets are current before placing orders. Information furnished by Intersil is believed to be accurate and reliable. However, no responsibility is assumed by Intersil or its subsidiaries for its use; nor for any infringements of patents or other rights of third parties which may result from its use. No license is granted by implication or otherwise under any patent or patent rights of Intersil or its subsidiaries.

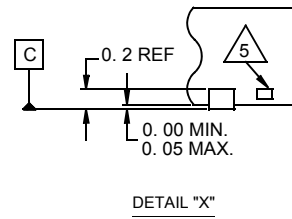
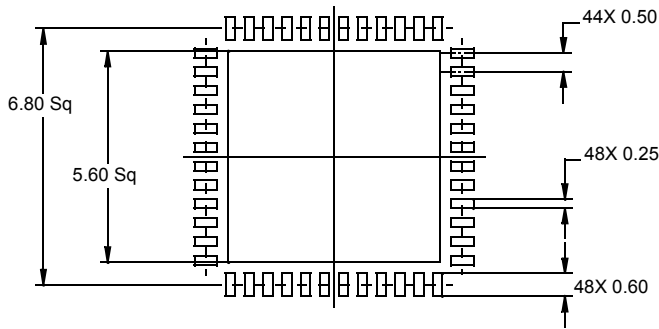
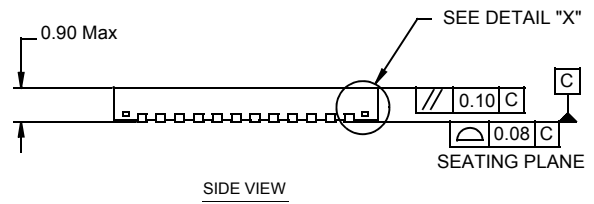
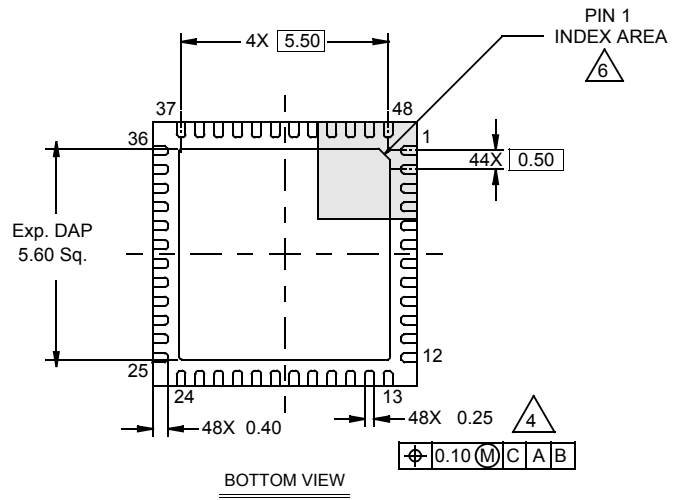
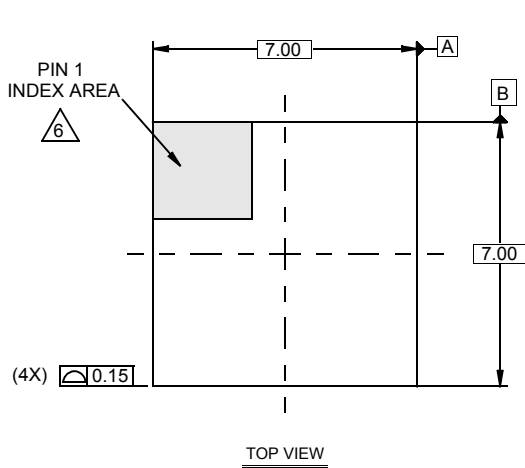
For information regarding Intersil Corporation and its products, see www.intersil.com

Package Outline Drawing

L48.7x7E

48 LEAD QUAD FLAT NO-LEAD PLASTIC PACKAGE

Rev 1, 2/09



NOTES:

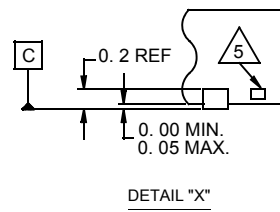
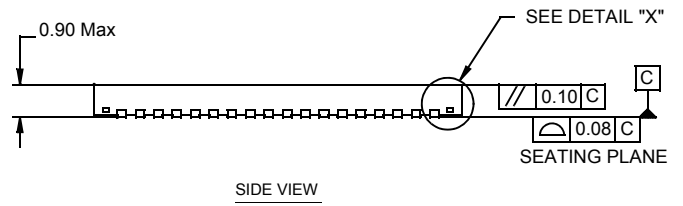
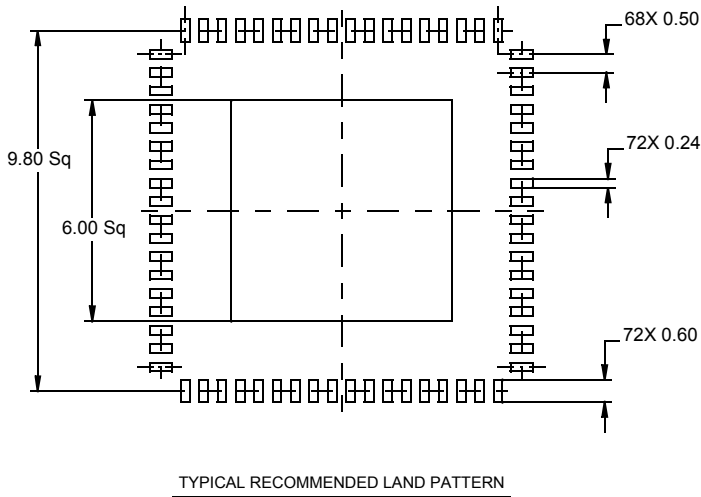
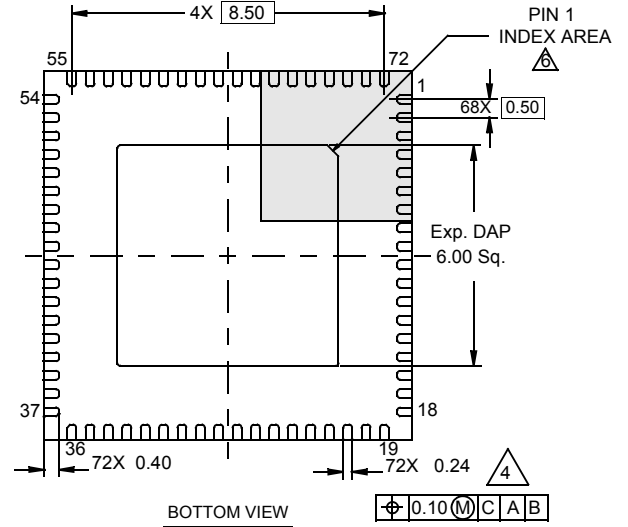
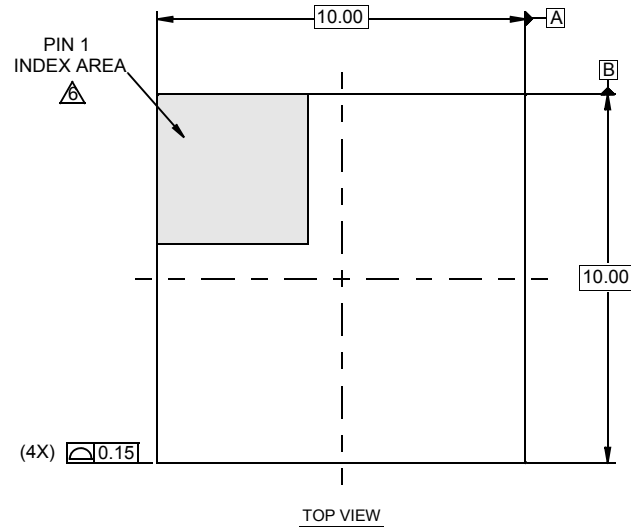
1. Dimensions are in millimeters.
Dimensions in () for Reference Only.
2. Dimensioning and tolerancing conform to AMSEY14.5m-1994.
3. Unless otherwise specified, tolerance: Decimal ± 0.05
4. Dimension b applies to the metallized terminal and is measured between 0.15mm and 0.30mm from the terminal tip.
5. Tiebar shown (if present) is a non-functional feature.
6. The configuration of the pin #1 identifier is optional, but must be located within the zone indicated. The pin #1 identifier may be either a mold or mark feature.
7. Connect Exp. DAP (PAD) to AVSS with multiple vias to a low thermal impedance plane

Package Outline Drawing

L72.10x10D

72 LEAD QUAD FLAT NO-LEAD PLASTIC PACKAGE

Rev 1, 11/08



NOTES:

1. Dimensions are in millimeters.
Dimensions in () for Reference Only.
2. Dimensioning and tolerancing conform to AMSEY14.5m-1994.
3. Unless otherwise specified, tolerance: Decimal ± 0.05
4. Dimension b applies to the metallized terminal and is measured between 0.15mm and 0.30mm from the terminal tip.
5. Tiebar shown (if present) is a non-functional feature.
6. The configuration of the pin #1 identifier is optional, but must be located within the zone indicated. The pin #1 identifier may be either a mold or mark feature.
7. Connect Exp. DAP (PAD) to AVSS with multiple vias to a low thermal impedance plane

Компания «Океан Электроники» предлагает заключение долгосрочных отношений при поставках импортных электронных компонентов на взаимовыгодных условиях!

Наши преимущества:

- Поставка оригинальных импортных электронных компонентов напрямую с производств Америки, Европы и Азии, а так же с крупнейших складов мира;
- Широкая линейка поставок активных и пассивных импортных электронных компонентов (более 30 млн. наименований);
- Поставка сложных, дефицитных, либо снятых с производства позиций;
- Оперативные сроки поставки под заказ (от 5 рабочих дней);
- Экспресс доставка в любую точку России;
- Помощь Конструкторского Отдела и консультации квалифицированных инженеров;
- Техническая поддержка проекта, помощь в подборе аналогов, поставка прототипов;
- Поставка электронных компонентов под контролем ВП;
- Система менеджмента качества сертифицирована по Международному стандарту ISO 9001;
- При необходимости вся продукция военного и аэрокосмического назначения проходит испытания и сертификацию в лаборатории (по согласованию с заказчиком);
- Поставка специализированных компонентов военного и аэрокосмического уровня качества (Xilinx, Altera, Analog Devices, Intersil, Interpoint, Microsemi, Actel, Aeroflex, Peregrine, VPT, Syfer, Eurofarad, Texas Instruments, MS Kennedy, Miteq, Cobham, E2V, MA-COM, Hittite, Mini-Circuits, General Dynamics и др.);

Компания «Океан Электроники» является официальным дистрибьютором и эксклюзивным представителем в России одного из крупнейших производителей разъемов военного и аэрокосмического назначения «JONHON», а так же официальным дистрибьютором и эксклюзивным представителем в России производителя высокотехнологичных и надежных решений для передачи СВЧ сигналов «FORSTAR».



JONHON

«JONHON» (основан в 1970 г.)

Разъемы специального, военного и аэрокосмического назначения:

(Применяются в военной, авиационной, аэрокосмической, морской, железнодорожной, горно- и нефтедобывающей отраслях промышленности)

«FORSTAR» (основан в 1998 г.)

ВЧ соединители, коаксиальные кабели, кабельные сборки и микроволновые компоненты:

(Применяются в телекоммуникациях гражданского и специального назначения, в средствах связи, РЛС, а так же военной, авиационной и аэрокосмической отраслях промышленности).



Телефон: 8 (812) 309-75-97 (многоканальный)

Факс: 8 (812) 320-03-32

Электронная почта: ocean@oceanchips.ru

Web: <http://oceanchips.ru/>

Адрес: 198099, г. Санкт-Петербург, ул. Калинина, д. 2, корп. 4, лит. А