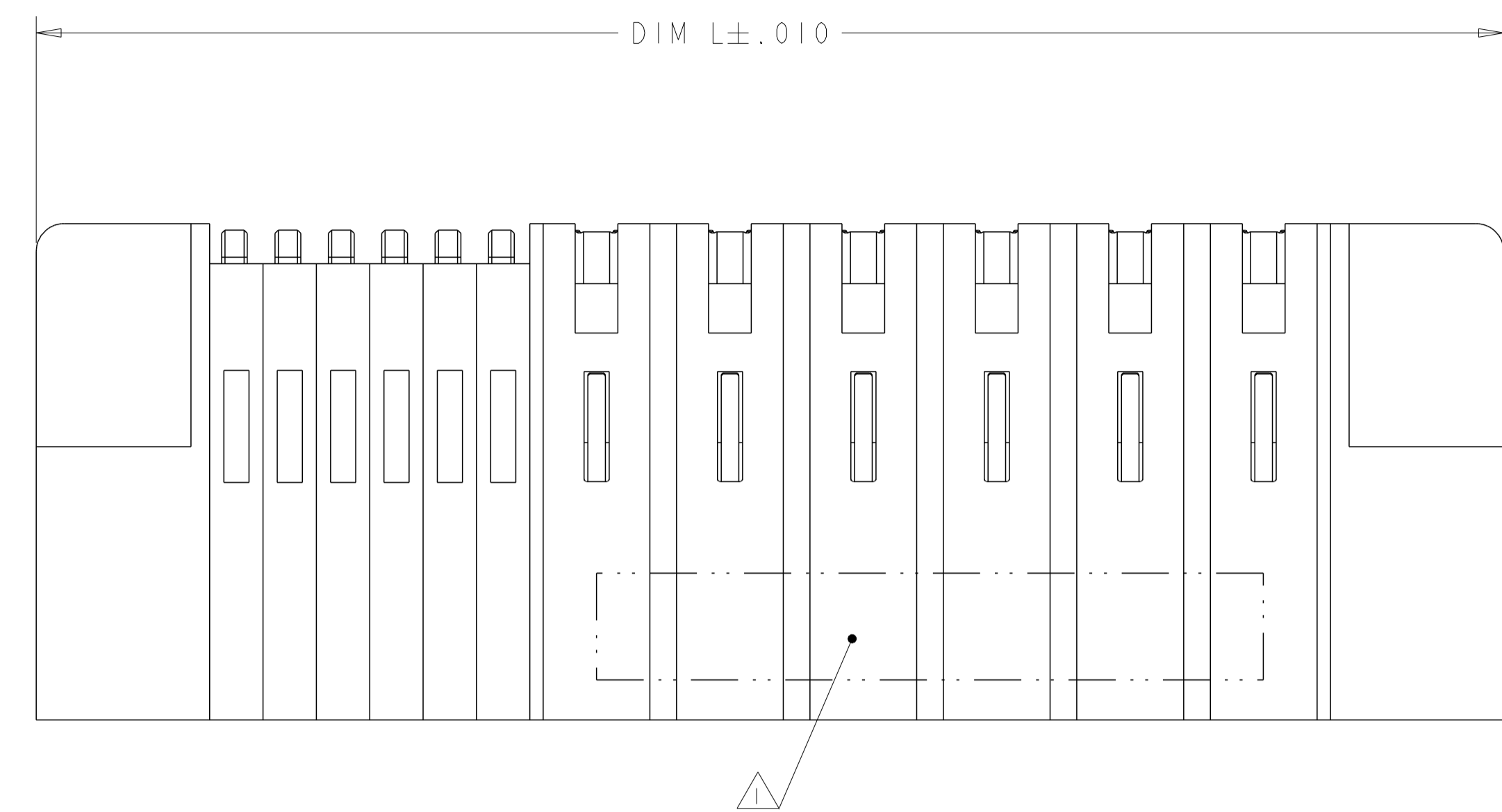
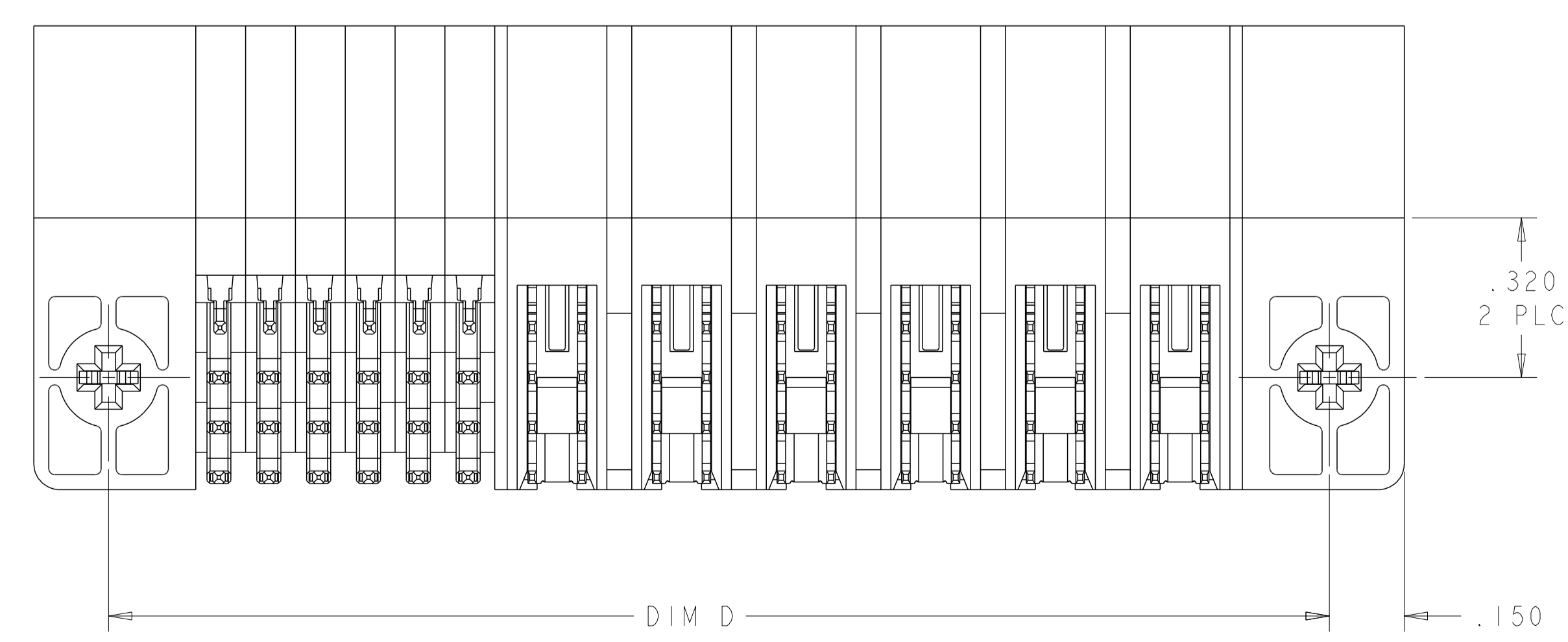
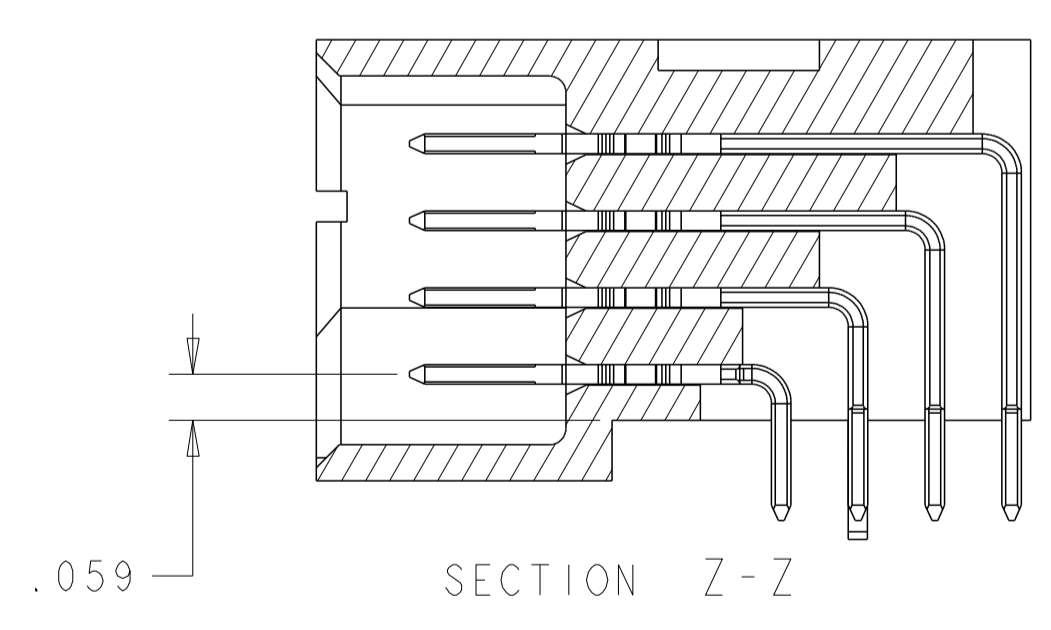
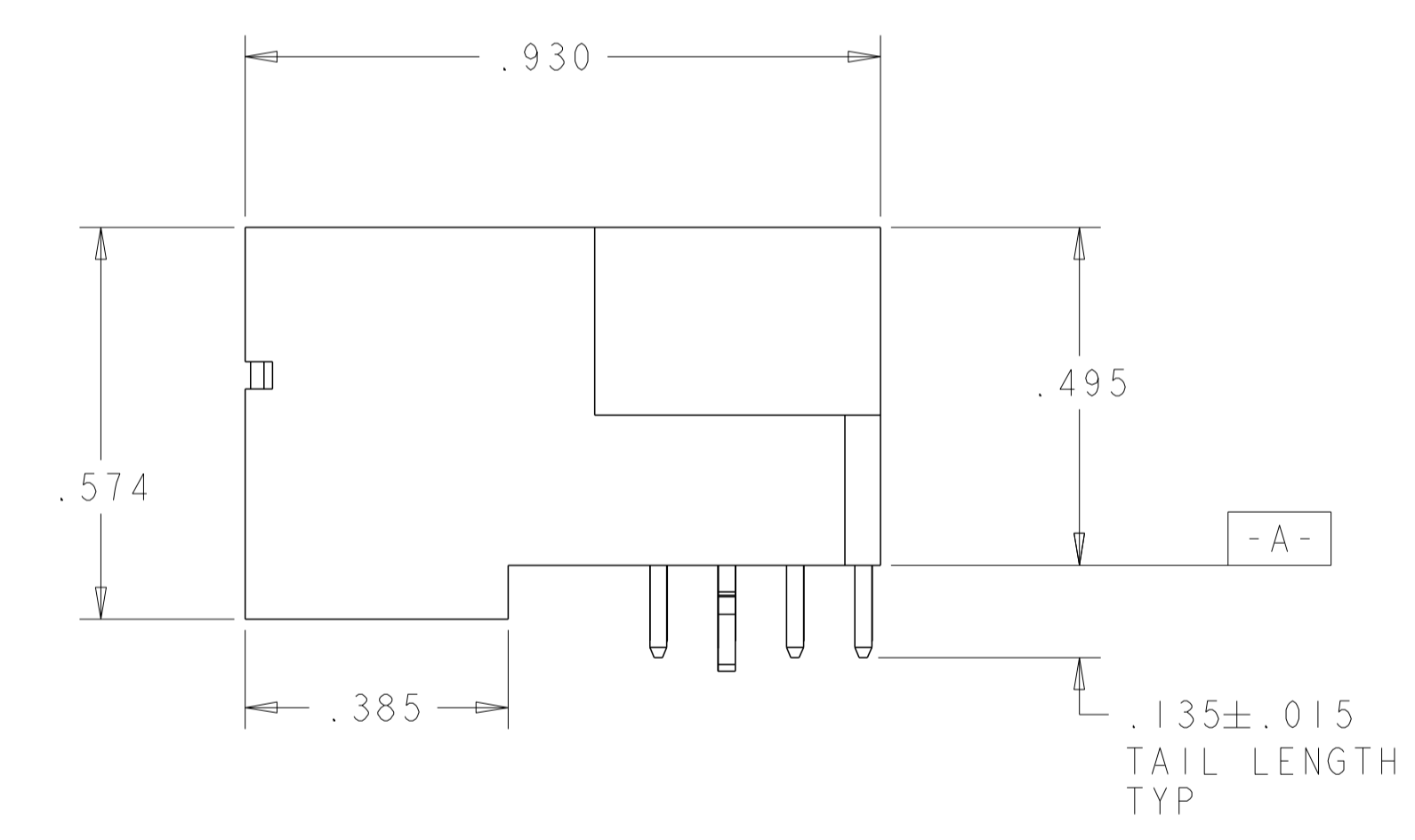
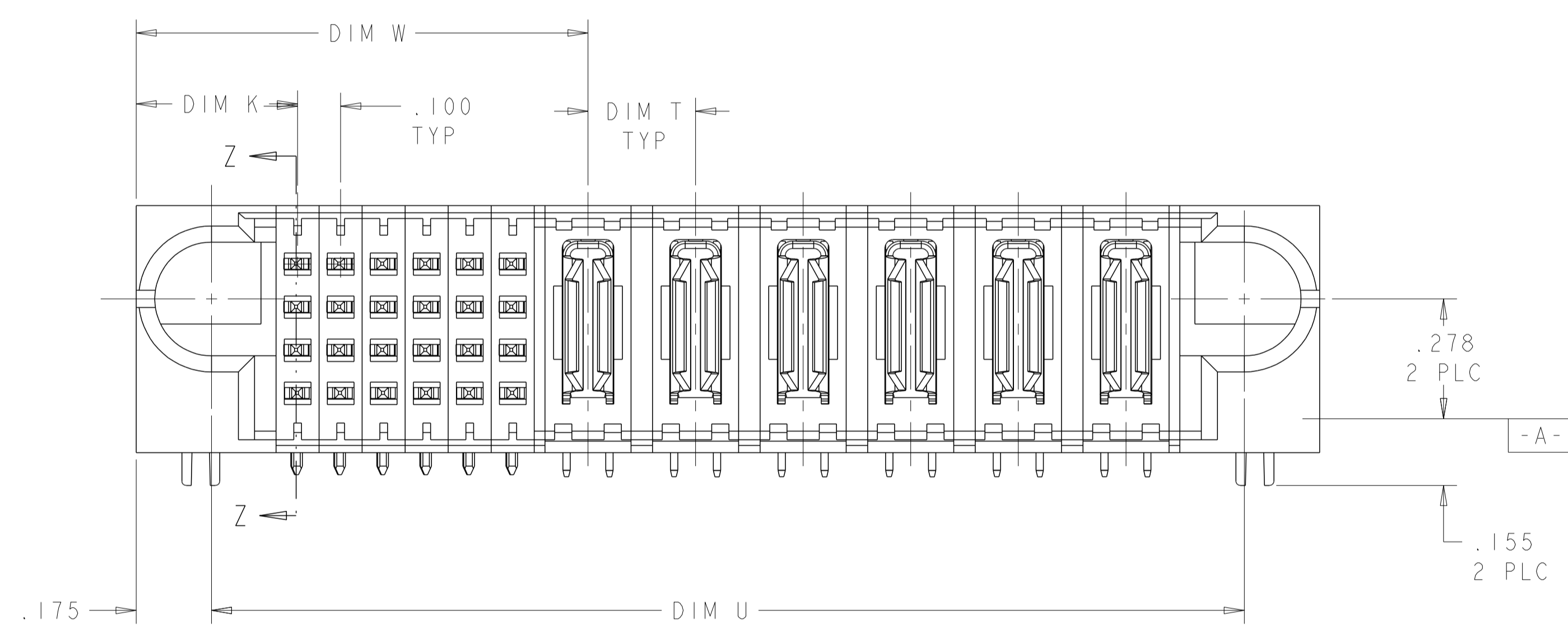


THIS DRAWING IS UNPUBLISHED. RELEASED FOR PUBLICATION 20
 © COPYRIGHT 20 BY - ALL RIGHTS RESERVED.

| LOC | DIST | REVISIONS | | | | | |
|-----|------|-----------|-----|---------------------------|-----------|-----|------|
| GP | 00 | P | LTR | DESCRIPTION | DATE | DWN | APVD |
| | | D | | REV PER ECR-12-003619 | 27FEB2012 | CZ | SZ |
| | | D1 | | ADDED NEW DASH NUMBER 1-1 | 04DEC2017 | CZ | SZ |



- 1 PART NUMBER, AND DATE CODE MARKED IN AREA SHOWN.
- 2 MATERIAL:
 HOUSING - GLASS FILLED HIGH TEMP THERMO PLASTIC, UL94 V-0
 SIGNAL CONTACT - COPPER ALLOY
 POWER CONTACT - HIGH CONDUCTIVITY COPPER ALLOY
- 3 CONTACT PLATING: NOBLE METAL PLATING ON CONTACT FUNCTIONAL AREA OF POWER AND SIGNAL CONTACTS.
- 4 MECHANICAL CONNECTOR KEEP OUT ZONE.
- 5 DATUM AND BASIC DIMENSIONS ESTABLISHED BY CUSTOMER.
- 6 PCB - ALL HOLE DIAMETERS ARE FINISHED HOLE SIZES.
- 7 PCB - .0453 ± .0010 DRILLED HOLES PLATED WITH .0003 MIN Sn OVER .001 TO .003 Cu PLATING TO ACHIEVE A .040 HOLE.
- 8 VARIABLE DIMENSION, SEE VIEW ON SHEET 4



| | | | |
|--|--|----------------------------|---|
| THIS DRAWING IS A CONTROLLED DOCUMENT. | | DWN R. GBZYBOWSKI 13JUN05 | TE Connectivity |
| DIMENSIONS: INCHES | | CHK M. PERCHERKE 13JUN05 | |
| TOLERANCES UNLESS OTHERWISE SPECIFIED: 0 PLC ± 1 PLC ±.01 2 PLC ±.005 3 PLC ±.0020 4 PLC ±.0020 ANGLES ±2° | | APVD M. PERCHERKE | NAME |
| MATERIAL 2 FINISH 3 | | PRODUCT SPEC 108-1973 | RIGHT ANGLE HEADER ASSEMBLY W/GUIDES DUAL BEAM XL |
| CUSTOMER DRAWING | | APPLICATION SPEC 114-13038 | SIZE CAGE CODE DRAWING NO. RESTRICTED TO |
| SCALE 4:1 | | WEIGHT - | A100779 C-6600120 |
| SHEET 1 OF 5 | | REV D1 | |

8

7

6

5

4

3

2

1

THIS DRAWING IS UNPUBLISHED. RELEASED FOR PUBLICATION 20
 © COPYRIGHT 20 BY ALL RIGHTS RESERVED.

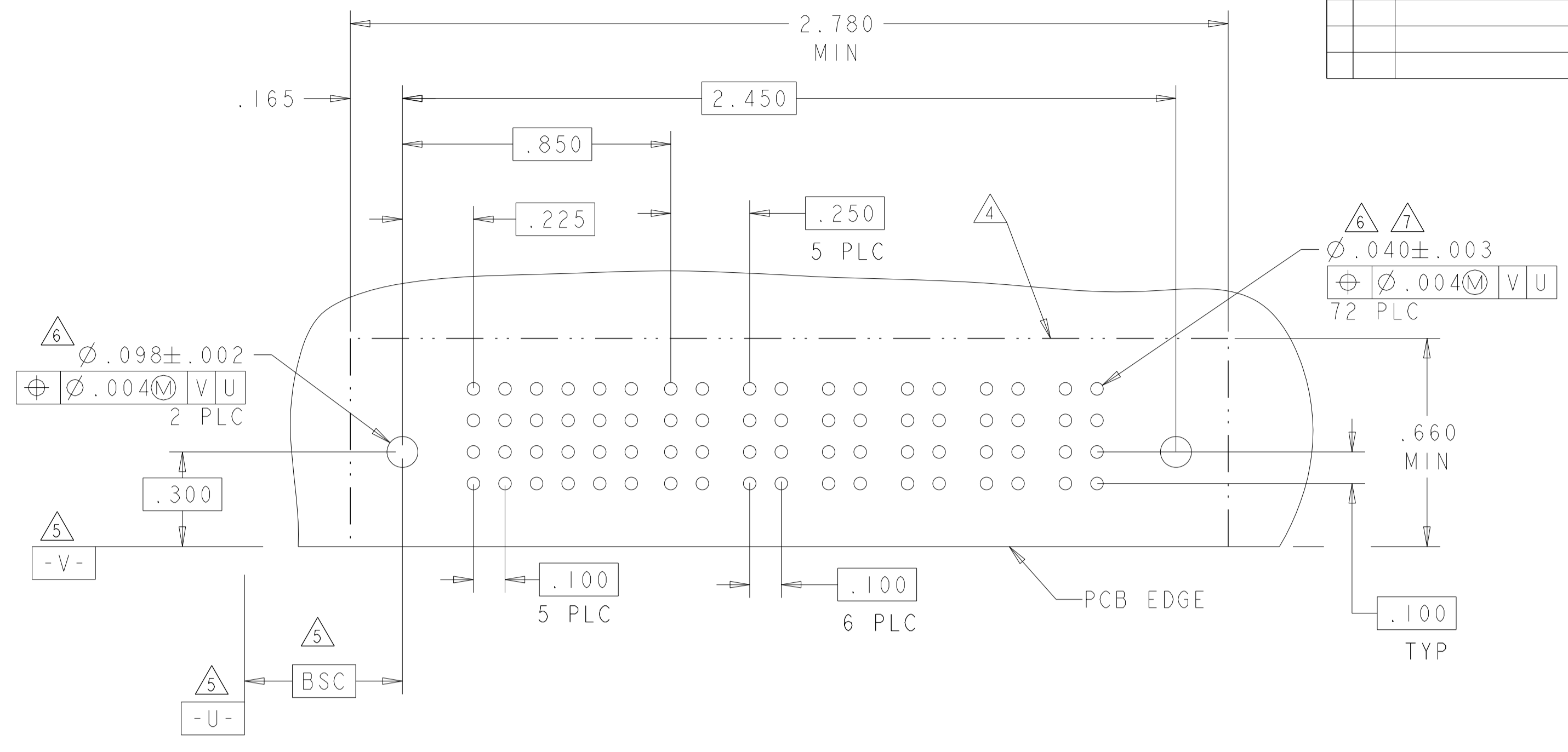
| LOC | DIST | REVISIONS | | | |
|-----|------|-------------|------|-----|------|
| P | LTR | DESCRIPTION | DATE | DWN | APVD |
| - | - | SEE SHEET 1 | - | - | - |
| | | | | | |
| | | | | | |

| | | | | | | | |
|-------|-------|-------|-------|-------|-------|-------------|-------------|
| .250 | 2.450 | 2.400 | 1.050 | .375 | 2.750 | 24S + 6P | 1-6600120-1 |
| .200 | 3.375 | 3.325 | 1.050 | .375 | 3.675 | 24S + 12HDP | 1-6600120-0 |
| .250 | 2.450 | 2.400 | 1.050 | .375 | 2.750 | 24S + 6P | 6600120-9 |
| .250 | 3.450 | 3.400 | 1.050 | .375 | 3.750 | 24S + 10P | 6600120-8 |
| .250 | 3.450 | 3.400 | 1.050 | .375 | 3.750 | 24S + 10P | 6600120-3 |
| .250 | 2.450 | 2.400 | 1.050 | .375 | 2.750 | 24S + 6P | 6600120-2 |
| | 3.850 | 3.800 | .900 | .400 | 4.150 | 12S + 11P | 6600120-1 |
| DIM T | DIM D | DIM U | DIM W | DIM K | DIM L | DESCRIPTION | PART NUMBER |

| | | | | | | |
|--|--------|-------------------------------|--------------------------|---------------------|---|---------------|
| THIS DRAWING IS A CONTROLLED DOCUMENT. | | DWN R. GBZYBOWSKI | 13JUN05 | | TE Connectivity | |
| DIMENSIONS: INCHES | | CHK M. PERCHERKE | 13JUN05 | | NAME RIGHT ANGLE HEADER ASSEMBLY W/GUIDES DUAL BEAM XL | |
| TOLERANCES UNLESS OTHERWISE SPECIFIED: 0 PLC ± 1 PLC ± 2 PLC ±.01 3 PLC ±.005 4 PLC ±.002 ANGLES ±2° | | APVD M. PERCHERKE | PRODUCT SPEC 108-1973 | SIZE A1 | | RESTRICTED TO |
| MATERIAL | FINISH | APPLICATION SPEC 114-13038 | WEIGHT | CAGE CODE 100779 | DRAWING NO C-6600120 | SCALE 4:1 |
| CUSTOMER DRAWING | | | | SHEET 2 | OF 5 | REV D1 |

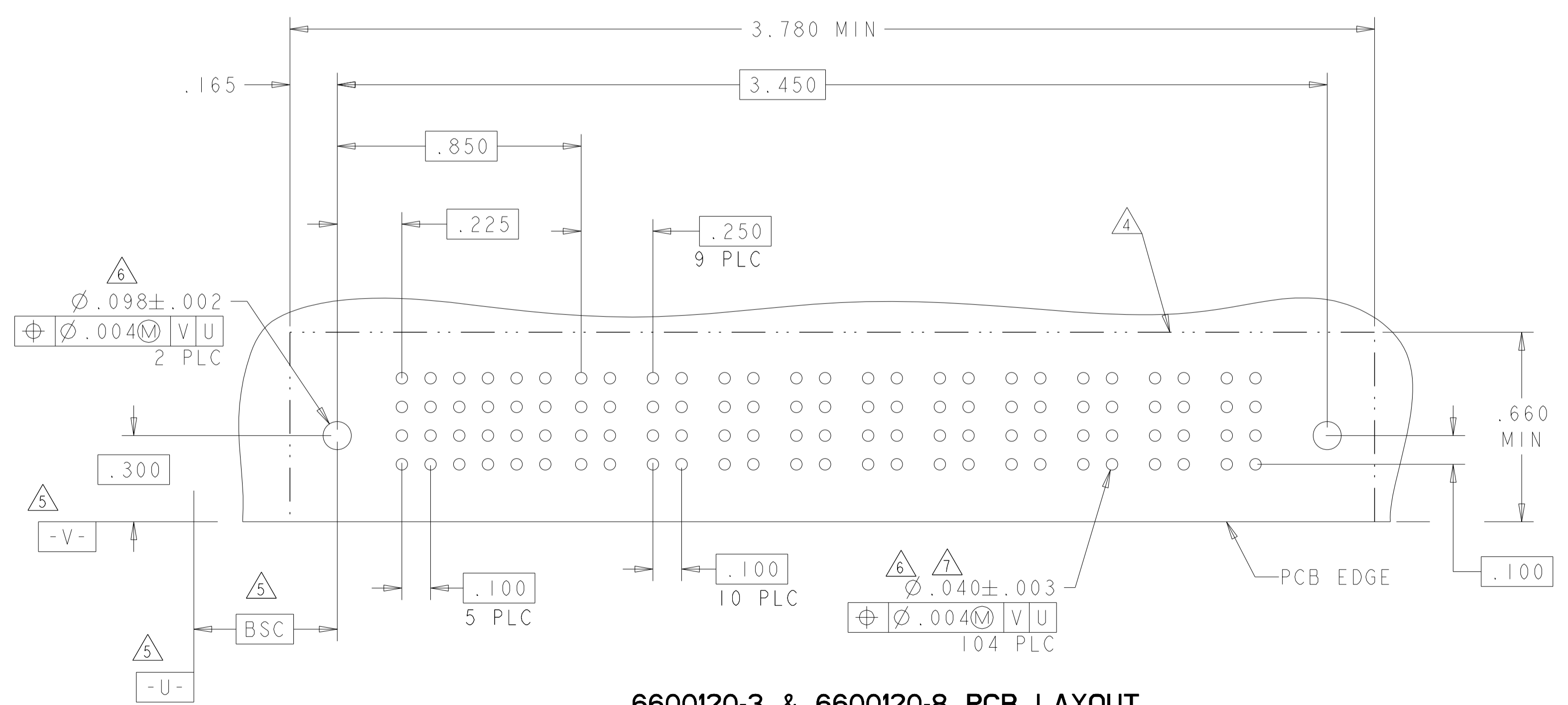
| LOC | DIST | REVISIONS | | | |
|-----|------|-------------|------|-----|------|
| P | LTR | DESCRIPTION | DATE | DWN | APVD |
| - | - | SEE SHEET 1 | - | - | - |

| PART NUMBER | ROWS | SIGNAL | | | | | | POWER | | | | | |
|-------------|------------------|--------|---|---|---|---|---|-------|----|----|----|----|----|
| | | 1 | 2 | 3 | 4 | 5 | 6 | P1 | P2 | P3 | P4 | P5 | P6 |
| 6600120-2 | D C B A | J | J | J | J | J | J | PS | PS | PS | PS | PS | PS |
| 24S + 6P | | K | K | K | K | K | K | | | | | | |
| | | N | N | N | N | N | N | | | | | | |
| | | S | S | S | S | S | S | | | | | | |



| PART NUMBER | ROWS | SIGNAL | | | | | | POWER | | | | | | | | | |
|-------------|------------------|--------|---|---|---|---|---|-------|----|----|----|----|----|----|----|----|-----|
| | | 1 | 2 | 3 | 4 | 5 | 6 | P1 | P2 | P3 | P4 | P5 | P6 | P7 | P8 | P9 | P10 |
| 6600120-3 | D C B A | J | J | J | J | J | J | PS | PS | PS | PS | PS | PS | PS | PS | PS | PS |
| 24S + 10P | | K | K | K | K | K | K | | | | | | | | | | |
| | | N | N | N | N | N | N | | | | | | | | | | |
| | | S | S | S | S | S | S | | | | | | | | | | |

| PART NUMBER | ROWS | SIGNAL | | | | | | POWER | | | | | | | | | |
|-------------|------------------|--------|---|---|---|---|---|-------|----|----|----|----|----|----|----|----|-----|
| | | 1 | 2 | 3 | 4 | 5 | 6 | P1 | P2 | P3 | P4 | P5 | P6 | P7 | P8 | P9 | P10 |
| 6600120-8 | D C B A | J | J | J | J | J | J | PS | PS | PS | PS | PS | PS | PS | PS | PS | PS |
| 24S + 10P | | K | K | K | K | F | K | | | | | | | | | | |
| | | N | N | N | N | G | N | | | | | | | | | | |
| | | H | S | S | S | S | S | | | | | | | | | | |



6600120-3 & 6600120-8 PCB LAYOUT

| | | | |
|------|-----------------|-------------|-----|
| E | MLBF | .135 | D |
| F | MLBF | .135 | C |
| G | MLBF | .135 | B |
| H | MLBF | .135 | A |
| J | STD | .135 | D |
| K | STD | .135 | C |
| N | STD | .135 | B |
| S | STD | .135 | A |
| CODE | MATING SEQUENCE | TAIL LENGTH | ROW |

| | |
|----------------|-------------|
| PS | .135 |
| CODE | TAIL LENGTH |
| POWER CONTACT | |
| SIGNAL CONTACT | |

THIS DRAWING IS A CONTROLLED DOCUMENT.

| | | | | |
|------------------|--|------------------|-----------------------------|--------------|
| DIMENSIONS: | TOLERANCES UNLESS OTHERWISE SPECIFIED: | DWN | R. GRZYBOWSKI | 13JUN05 |
| INCHES | | CHN | M. PERCHERKE | 13JUN05 |
| | 0 PLC ± | APVD | M. PERCHERKE | |
| | 1 PLC ± | NAME | RIGHT ANGLE HEADER ASSEMBLY | |
| | 2 PLC ±.01 | PRODUCT SPEC | W/GUIDES | |
| | 3 PLC ±.05 | APPLICATION SPEC | DUAL BEAM XL | |
| | 4 PLC ±.020 | SIZE | CAGE CODE | DRAWING NO |
| | ANGLES ±2° | RESTRICTED TO | | |
| MATERIAL | FINISH | WEIGHT | A100779 | C=6600120 |
| CUSTOMER DRAWING | | SCALE | 4:1 | SHEET 3 OF 5 |

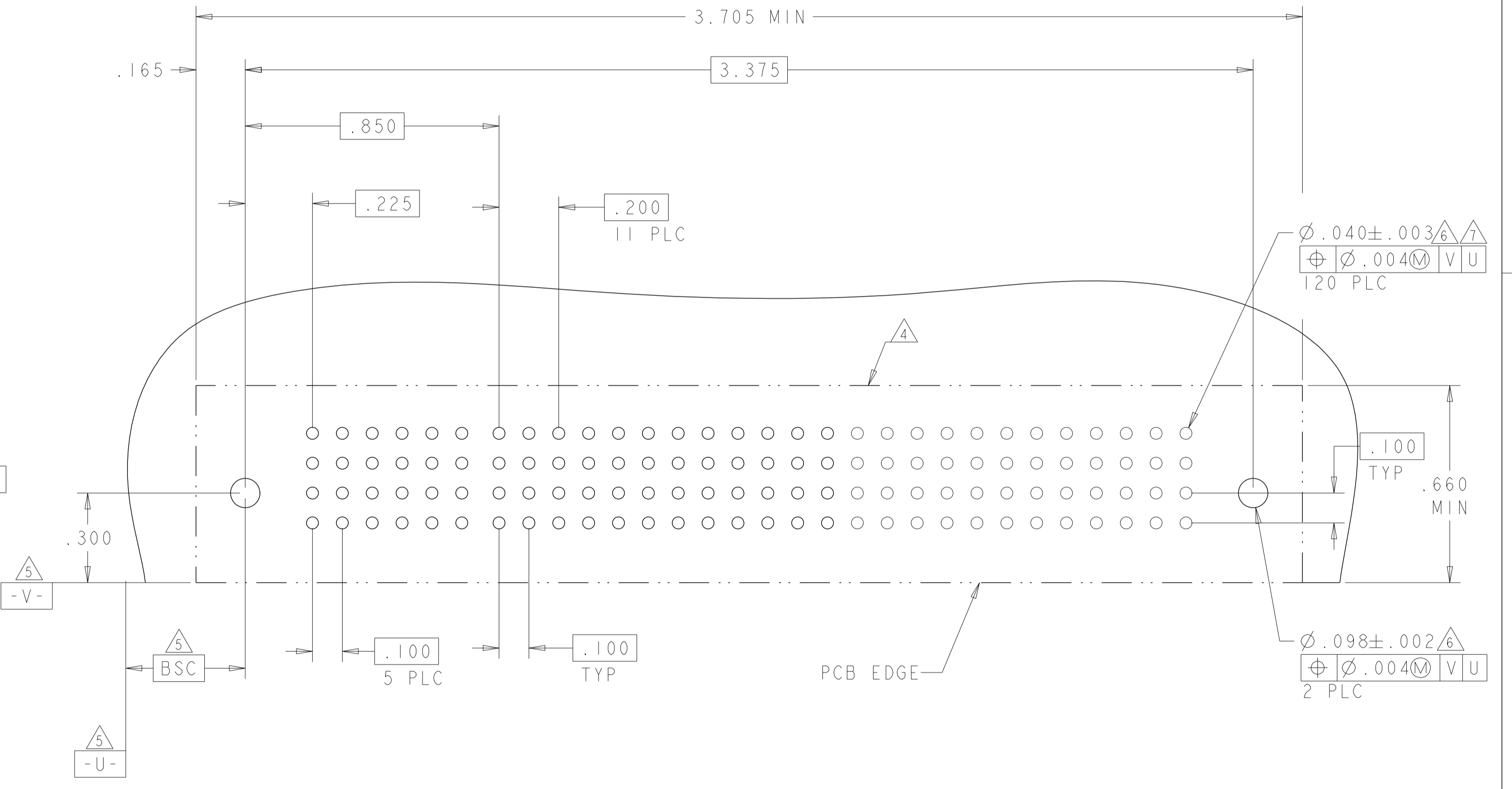
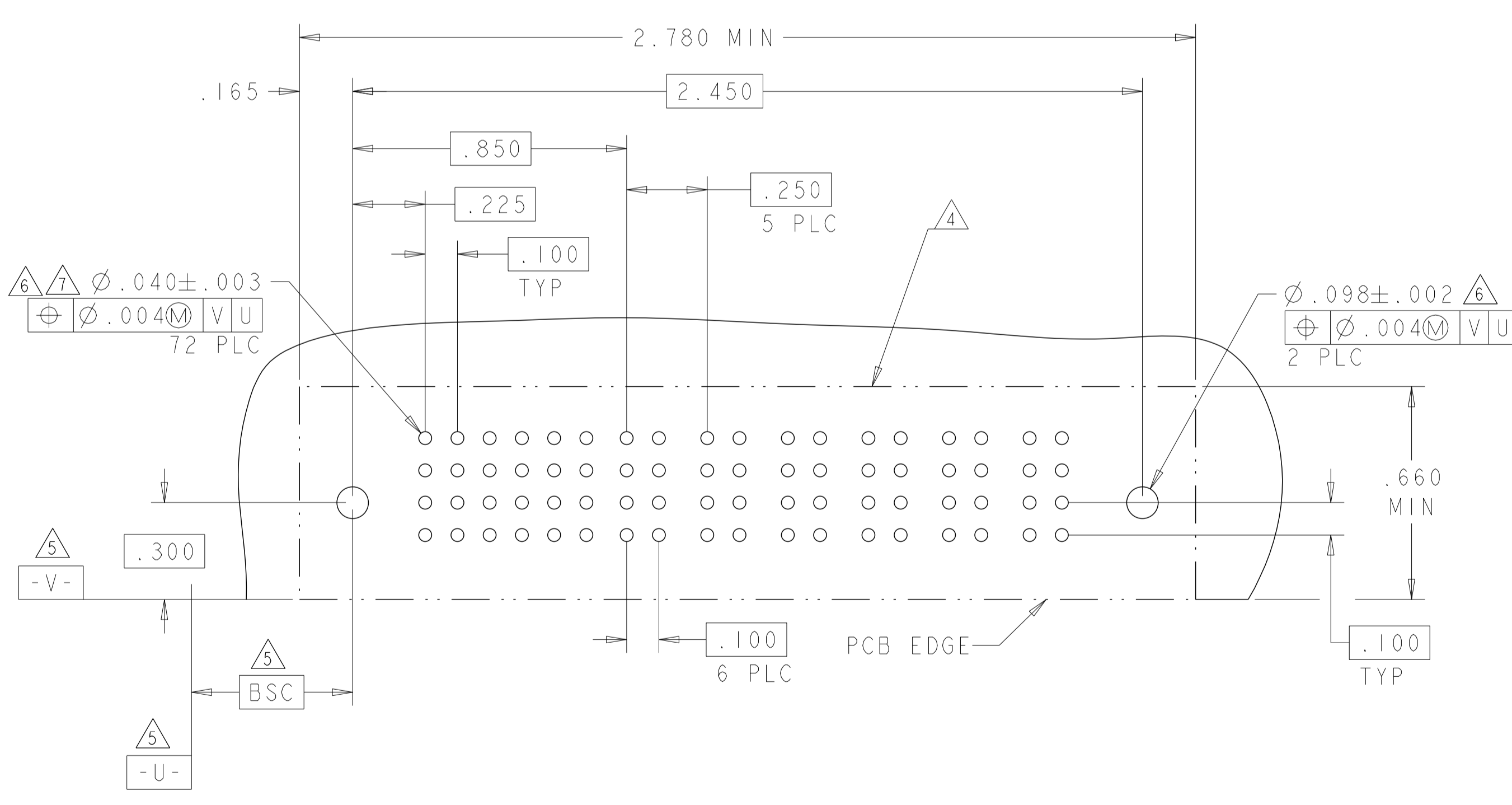
STE TE Connectivity

| LOC | DIST | REVISIONS | | | |
|-----|------|-------------|------|-----|------|
| P | LTR | DESCRIPTION | DATE | DWN | APVD |
| - | - | SEE SHEET 1 | - | - | - |
| | | | | | |
| | | | | | |

| PART NUMBER | ROWS | SIGNAL | | | | | | POWER | | | | | |
|-------------|------------------|--------|---|---|---|---|---|-------|----|----|----|----|----|
| | | 1 | 2 | 3 | 4 | 5 | 6 | P1 | P2 | P3 | P4 | P5 | P6 |
| 6600120-9 | D C B A | J | J | J | J | J | J | PS | PS | PS | PS | PS | PS |
| | | K | K | K | K | F | K | | | | | | |
| | | N | N | N | N | G | N | | | | | | |
| | | H | S | S | S | H | S | | | | | | |
| 24S + 6P | | | | | | | | | | | | | |

| PART NUMBER | ROWS | SIGNAL | | | | | | POWER | | | | | | | | | | | | |
|-------------|------------------|--------|---|---|---|---|---|-------|----|----|----|----|----|----|----|----|-----|-----|-----|----|
| | | 1 | 2 | 3 | 4 | 5 | 6 | P1 | P2 | P3 | P4 | P5 | P6 | P7 | P8 | P9 | P10 | P11 | P12 | |
| 1-6600120-0 | D C B A | J | J | J | J | J | E | PS | PS | PS | PS | PS | PS | PS | PS | PS | PS | PS | PS | PS |
| | | K | K | K | F | K | K | | | | | | | | | | | | | |
| | | N | N | N | G | N | N | | | | | | | | | | | | | |
| | | S | H | S | H | S | S | | | | | | | | | | | | | |
| 24S + 12HDP | | | | | | | | | | | | | | | | | | | | |

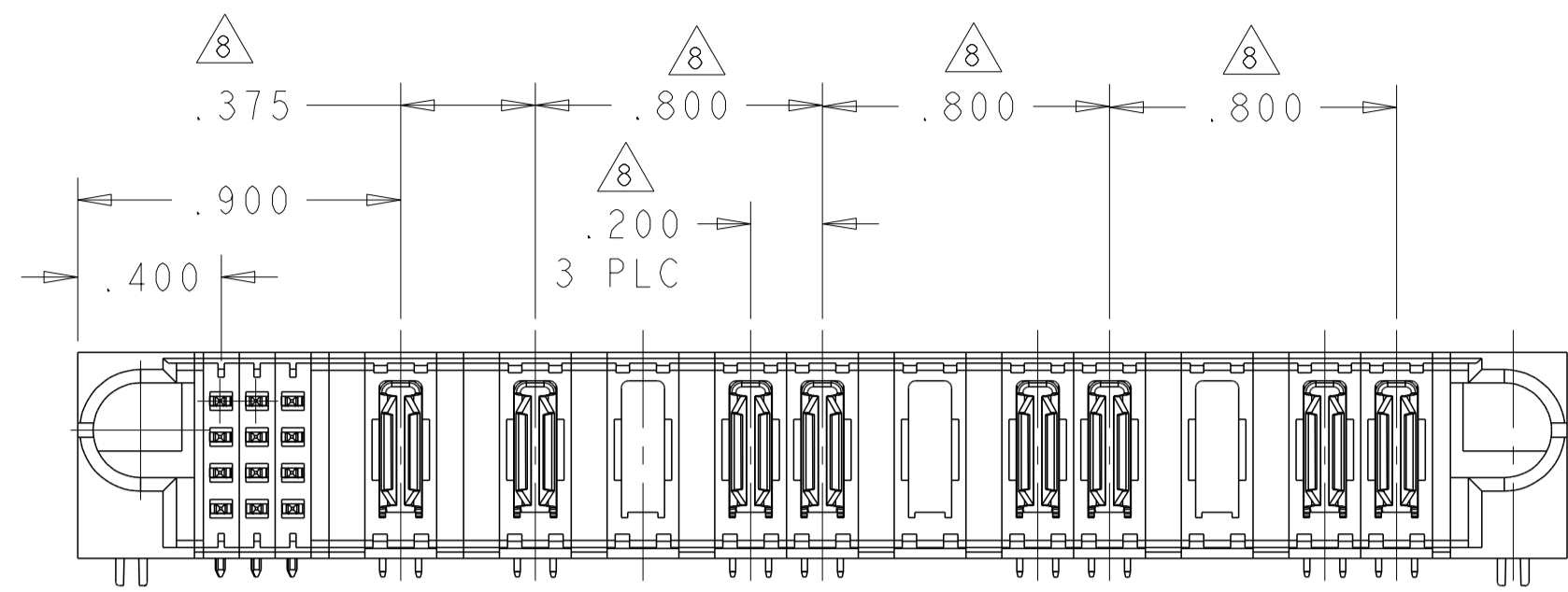
| PART NUMBER | ROWS | SIGNAL | | | | | | POWER | | | | | |
|-------------|------------------|--------|---|---|---|---|---|-------|----|----|----|----|----|
| | | 1 | 2 | 3 | 4 | 5 | 6 | P1 | P2 | P3 | P4 | P5 | P6 |
| 1-6600120-1 | D C B A | J | J | J | J | J | J | PS | PS | PS | PS | PS | PS |
| | | K | K | K | K | K | K | | | | | | |
| | | N | N | N | G | N | N | | | | | | |
| | | S | S | S | S | S | S | | | | | | |
| 24S + 6P | | | | | | | | | | | | | |



6450120-9 AND 1-6600120-1 PCB LAYOUT

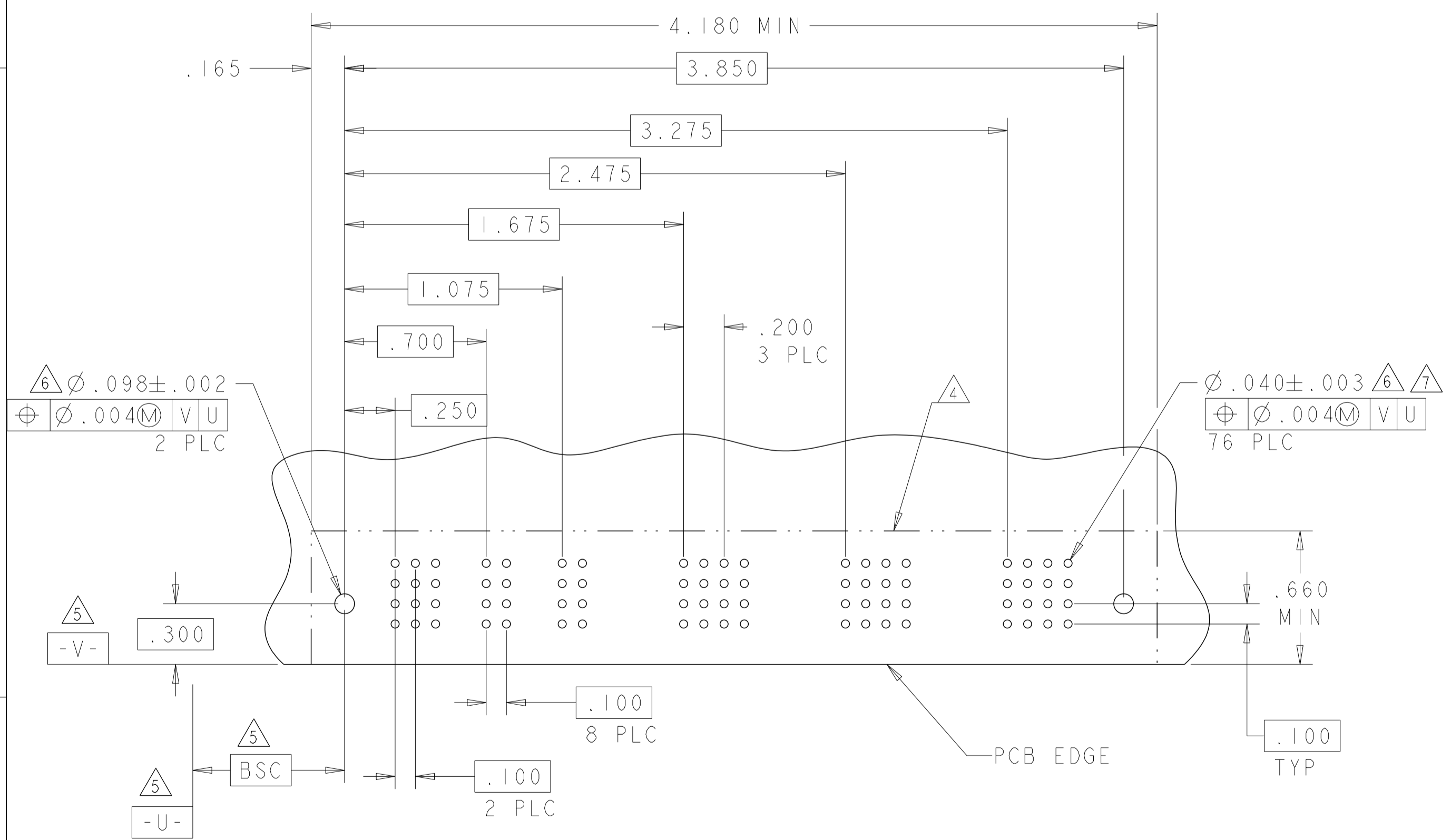
| | | | | |
|---|--------|--------------------------|---|-----------------|
| THIS DRAWING IS A CONTROLLED DOCUMENT. | | DWN R. GBZYBOWSKI | 13JUN05 | TE Connectivity |
| DIMENSIONS: INCHES | | CHK M. PERCHERKE | 13JUN05 | |
| TOLERANCES UNLESS OTHERWISE SPECIFIED: 0 PLC ±. 1 PLC ±. 2 PLC ±.01 3 PLC ±.005 4 PLC ±.0020 ANGLES ±2° | | APVD M. PERCHERKE | NAME RIGHT ANGLE HEADER ASSEMBLY W/GUIDES DUAL BEAM XL | RESTRICTED TO |
| MATERIAL | FINISH | PRODUCT SPEC 108-1973 | APPLICATION SPEC 114-13038 | SIZE A1 |
| CUSTOMER DRAWING | | WEIGHT | SCALE 4:1 | SHEET 4 OF 5 |

| LOC | DIST | REVISIONS | | | |
|-----|------|-------------|------|-----|------|
| P | LTR | DESCRIPTION | DATE | DWN | APVD |
| - | - | SEE SHEET 1 | - | - | - |
| | | | | | |
| | | | | | |



| PART NUMBER | ROWS | SIGNAL | | | POWER | | | | | | | | | | | | |
|-------------|------------------|--------|---|---|-------|----|----|----|----|----|----|----|----|-----|-----|----|----|
| | | 1 | 2 | 3 | P1 | P2 | P3 | P4 | P5 | P6 | P7 | P8 | P9 | P10 | P11 | | |
| 6600120-1 | D C B A | J | J | J | PS | PS | | PS | PS | | | PS | PS | | | PS | PS |
| 12S + 11P | HD | K | K | K | | | | | | | | | | | | | |
| | A | N | N | N | | | | | | | | | | | | | |
| | HD | S | S | S | | | | | | | | | | | | | |

NO CONTACTS LOADED



THIS DRAWING IS A CONTROLLED DOCUMENT. DWN R.GBZYBOWSKI 13JUN05
 CHN M.PERCHEK 13JUN05

STE TE Connectivity

NAME: RIGHT ANGLE HEADER ASSEMBLY
 W/GUIDES
 DUAL BEAM XL

PRODUCT SPEC: 108-1973
 APPLICATION SPEC: 114-13038

SIZE: A1 CAGE CODE: 100779 DRAWING NO: C-6600120

MATERIAL: - FINISH: - WEIGHT: -

CUSTOMER DRAWING SCALE: 4:1 SHEET 5 OF 5 REV D1

Компания «Океан Электроники» предлагает заключение долгосрочных отношений при поставках импортных электронных компонентов на взаимовыгодных условиях!

Наши преимущества:

- Поставка оригинальных импортных электронных компонентов напрямую с производств Америки, Европы и Азии, а так же с крупнейших складов мира;
- Широкая линейка поставок активных и пассивных импортных электронных компонентов (более 30 млн. наименований);
- Поставка сложных, дефицитных, либо снятых с производства позиций;
- Оперативные сроки поставки под заказ (от 5 рабочих дней);
- Экспресс доставка в любую точку России;
- Помощь Конструкторского Отдела и консультации квалифицированных инженеров;
- Техническая поддержка проекта, помощь в подборе аналогов, поставка прототипов;
- Поставка электронных компонентов под контролем ВП;
- Система менеджмента качества сертифицирована по Международному стандарту ISO 9001;
- При необходимости вся продукция военного и аэрокосмического назначения проходит испытания и сертификацию в лаборатории (по согласованию с заказчиком);
- Поставка специализированных компонентов военного и аэрокосмического уровня качества (Xilinx, Altera, Analog Devices, Intersil, Interpoint, Microsemi, Actel, Aeroflex, Peregrine, VPT, Syfer, Eurofarad, Texas Instruments, MS Kennedy, Miteq, Cobham, E2V, MA-COM, Hittite, Mini-Circuits, General Dynamics и др.);

Компания «Океан Электроники» является официальным дистрибьютором и эксклюзивным представителем в России одного из крупнейших производителей разъемов военного и аэрокосмического назначения «JONHON», а так же официальным дистрибьютором и эксклюзивным представителем в России производителя высокотехнологичных и надежных решений для передачи СВЧ сигналов «FORSTAR».



JONHON

«JONHON» (основан в 1970 г.)

Разъемы специального, военного и аэрокосмического назначения:

(Применяются в военной, авиационной, аэрокосмической, морской, железнодорожной, горно- и нефтедобывающей отраслях промышленности)

«FORSTAR» (основан в 1998 г.)

ВЧ соединители, коаксиальные кабели,
кабельные сборки и микроволновые компоненты:

(Применяются в телекоммуникациях гражданского и специального назначения, в средствах связи, РЛС, а так же военной, авиационной и аэрокосмической отраслях промышленности).



Телефон: 8 (812) 309-75-97 (многоканальный)

Факс: 8 (812) 320-03-32

Электронная почта: ocean@oceanchips.ru

Web: <http://oceanchips.ru/>

Адрес: 198099, г. Санкт-Петербург, ул. Калинина, д. 2, корп. 4, лит. А