



# High-Side Current-Sense and Internal 1°C Temperature Monitor

## PRODUCT FEATURES

Datasheet

### General Description

The EMC1701 is a combination high-side current sensing device with precision temperature measurement. It measures the voltage developed across an external sense resistor to represent the high-side current of a battery or voltage regulator. The EMC1701 also measures the source voltage and uses these measured values to present a proportional power calculation. The EMC1701 contains additional bi-directional peak detection circuitry to flag instantaneous current spikes with programmable time duration and magnitude threshold. Finally, the EMC1701 includes an internal diode channel for ambient temperature measurement.

Both current sensing and temperature monitoring include two tiers of protection: one that can be masked and causes the ALERT pin to be asserted, and the other that cannot be masked and causes the THERM pin to be asserted.

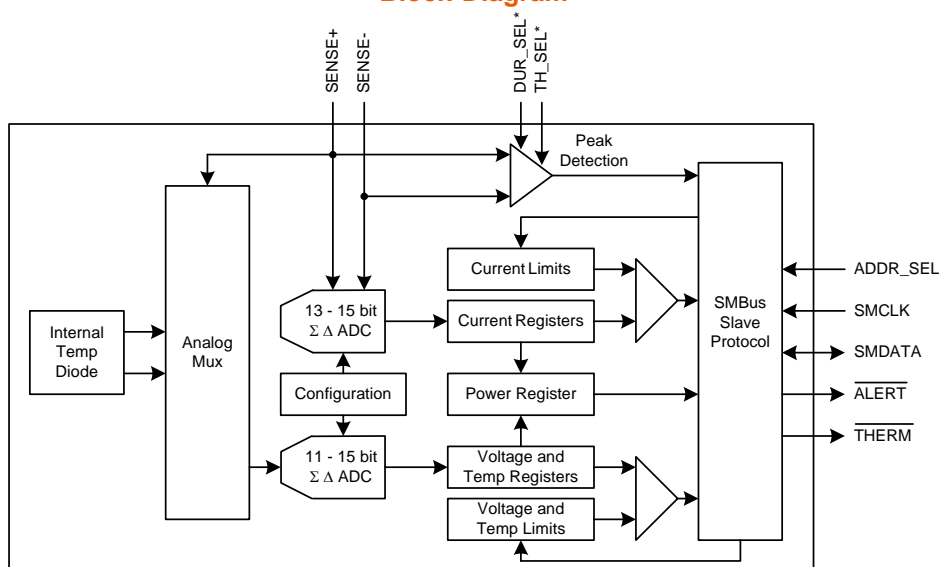
### Applications

- Notebook and Desktop Computers
- Industrial
- Power Management Systems
- Embedded Applications

### Features

- High-side current sensor
  - Bi-directional current measurement
  - Measures source voltage and indicates power ratio
  - 1% current measurement accuracy
  - Integrated over 82ms to 2.6sec with 11-bit resolution
  - 3V to 24V bus voltage range
- Independent hardware set instantaneous current peak detector (EMC1701-1 only)
  - Software controls to program time duration and magnitude threshold
- Power supply options
  - Bus or separately powered for low voltage operation
- Wide temperature operating range: -40°C to +85°C
- Internal temperature monitor
  - ±1°C accuracy (-5°C < T<sub>A</sub> < 85°C)
- ALERT and THERM outputs for temperature, voltage, and out-of-current limit reporting
- SMBus 2.0 interface
  - Pin-selectable SMBus Address
  - Block Read and Write
- Available in a 12-pin 4mm x 4mm QFN RoHS Compliant Package (EMC1701-1)
- Available in a 10-pin MSOP RoHS Compliant Package (EMC1701-2)

### Block Diagram



\*EMC1701-1 only

**Ordering Information:**

ORDERING NUMBER	PACKAGE	FEATURES
EMC1701-1-KP-TR	12-pin 4mm x 4mm QFN (Lead-free RoHS compliant)	Internal diode, current sensor, hardware set peak detector
EMC1701-2-AIZL-TR	10-pin MSOP (Lead-free RoHS compliant)	Internal diode, current sensor

**REEL SIZE IS 4,000 PIECES****This product meets the halogen maximum concentration values per IEC61249-2-21****For RoHS compliance and environmental information, please visit [www.smsc.com/rohs](http://www.smsc.com/rohs)**

80 ARKAY DRIVE, HAUPPAUGE, NY 11788 (631) 435-6000, FAX (631) 273-3123

Copyright © 2010 SMSC or its subsidiaries. All rights reserved.

Circuit diagrams and other information relating to SMSC products are included as a means of illustrating typical applications. Consequently, complete information sufficient for construction purposes is not necessarily given. Although the information has been checked and is believed to be accurate, no responsibility is assumed for inaccuracies. SMSC reserves the right to make changes to specifications and product descriptions at any time without notice. Contact your local SMSC sales office to obtain the latest specifications before placing your product order. The provision of this information does not convey to the purchaser of the described semiconductor devices any licenses under any patent rights or other intellectual property rights of SMSC or others. All sales are expressly conditional on your agreement to the terms and conditions of the most recently dated version of SMSC's standard Terms of Sale Agreement dated before the date of your order (the "Terms of Sale Agreement"). The product may contain design defects or errors known as anomalies which may cause the product's functions to deviate from published specifications. Anomaly sheets are available upon request. SMSC products are not designed, intended, authorized or warranted for use in any life support or other application where product failure could cause or contribute to personal injury or severe property damage. Any and all such uses without prior written approval of an Officer of SMSC and further testing and/or modification will be fully at the risk of the customer. Copies of this document or other SMSC literature, as well as the Terms of Sale Agreement, may be obtained by visiting SMSC's website at <http://www.smsc.com>. SMSC is a registered trademark of Standard Microsystems Corporation ("SMSC"). Product names and company names are the trademarks of their respective holders.

**SMSC DISCLAIMS AND EXCLUDES ANY AND ALL WARRANTIES, INCLUDING WITHOUT LIMITATION ANY AND ALL IMPLIED WARRANTIES OF MERCHANTABILITY, FITNESS FOR A PARTICULAR PURPOSE, TITLE, AND AGAINST INFRINGEMENT AND THE LIKE, AND ANY AND ALL WARRANTIES ARISING FROM ANY COURSE OF DEALING OR USAGE OF TRADE. IN NO EVENT SHALL SMSC BE LIABLE FOR ANY DIRECT, INCIDENTAL, INDIRECT, SPECIAL, PUNITIVE, OR CONSEQUENTIAL DAMAGES; OR FOR LOST DATA, PROFITS, SAVINGS OR REVENUES OF ANY KIND; REGARDLESS OF THE FORM OF ACTION, WHETHER BASED ON CONTRACT; TORT; NEGLIGENCE OF SMSC OR OTHERS; STRICT LIABILITY; BREACH OF WARRANTY; OR OTHERWISE; WHETHER OR NOT ANY REMEDY OF BUYER IS HELD TO HAVE FAILED OF ITS ESSENTIAL PURPOSE, AND WHETHER OR NOT SMSC HAS BEEN ADVISED OF THE POSSIBILITY OF SUCH DAMAGES.**

## Table of Contents

<b>Chapter 1</b>	<b>Pin Description</b>	<b>8</b>
<b>Chapter 2</b>	<b>Electrical Characteristics</b>	<b>10</b>
2.1	Electrical Specifications	11
2.2	SMBus Electrical Specifications	13
<b>Chapter 3</b>	<b>Communications</b>	<b>15</b>
3.1	System Management Bus Interface Protocol	15
3.1.1	SMBus Start Bit	15
3.1.2	SMBus Address and RD / WR Bit	15
3.1.3	SMBus ACK and NACK Bits	16
3.1.4	SMBus Stop Bit	16
3.1.5	SMBus Time-out	16
3.1.6	SMBus and I <sup>2</sup> C Compliance	16
3.2	SMBus Protocols	17
3.2.1	Write Byte	17
3.2.2	Read Byte	17
3.2.3	Send Byte	17
3.2.4	Receive Byte	18
3.2.5	Block Write	18
3.2.6	Block Read	18
3.2.7	Alert Response Address	19
<b>Chapter 4</b>	<b>General Description</b>	<b>20</b>
4.1	Source Monitoring	21
4.1.1	Current Measurement	21
4.1.2	Voltage Measurement	22
4.1.3	Power Calculation	22
4.1.4	Current Peak Detection	23
4.2	VDD Biasing Options	25
4.3	Modes of Operation	25
4.4	ALERT Output	26
4.4.1	ALERT Pin Interrupt Mode	26
4.4.2	ALERT Pin Comparator Mode	26
4.5	THERM Output	26
4.6	Temperature Measurement	27
<b>Chapter 5</b>	<b>Register Description</b>	<b>28</b>
5.1	Data Read Interlock	30
5.2	Block Mode Support	30
5.3	Temperature Data Registers	31
5.4	Status Register	31
5.5	Configuration Register	32
5.6	Conversion Rate Register	33
5.7	Temperature Limit Registers	33
5.8	One-Shot Register	34
5.9	Tcrit Limit Registers	34
5.10	Channel Mask Register	34
5.11	Consecutive Alert Register	35
5.12	High Limit Status Register	36
5.13	Low Limit Status Register	36

5.14	Crit Limit Status Register	37
5.15	Voltage Sampling Configuration Register	37
5.16	Current Sense Sampling Configuration Register	38
5.17	Peak Detection Configuration Register	40
5.18	Sense Voltage Registers	42
5.19	Source Voltage Registers	43
5.20	Power Ratio Registers	43
5.21	V <sub>SENSE</sub> Limit Registers	44
5.22	Source Voltage Limit Registers	44
5.23	Critical Voltage Limit Registers	44
5.24	Product Features Register (EMC1701-1 only)	45
5.25	Product ID Register	45
5.26	SMSC ID Register	46
5.27	Revision Register	46
<hr/>		
<b>Chapter 6</b>	<b>Package Description</b>	<b>47</b>
6.1	EMC1701-1 Package Drawing (12-Pin QFN 4mm x 4mm)	47
6.2	EMC1701-2 Package Drawing (10-pin MSOP)	49
6.3	EMC1701 Package Markings	52
<hr/>		
<b>Chapter 7</b>	<b>Datasheet Revision History</b>	<b>53</b>

## Datasheet

## List of Figures

Figure 1.1	EMC1701 Pin Diagram 12-Pin QFN 4mm x 4mm	8
Figure 1.2	EMC1701 Pin Diagram 10-Pin MSOP	8
Figure 3.1	SMBus Timing Diagram	15
Figure 4.1	EMC1701 System Diagram	20
Figure 4.2	Peak Detection Example	24
Figure 6.1	12-Pin QFN 4mm x 4mm Package Drawings	47
Figure 6.2	12-Pin QFN 4mm x 4mm Package Dimensions and Notes	48
Figure 6.3	12-Pin QFN 4mm x 4mm PCB Footprint	48
Figure 6.1	10-Pin MSOP Package Drawings (see <a href="#">Note 6.1</a> )	49
Figure 6.2	10-Pin MSOP Package Dimensions and Notes	50
Figure 6.3	10-Pin MSOP PCB Footprint	51
Figure 6.1	EMC1701-1 Package Markings	52
Figure 6.2	EMC1701-2 Package Markings	52

## List of Tables

Table 1.1	Pin Description for EMC1701	9
Table 1.2	Pin Types	9
Table 2.1	Absolute Maximum Ratings	10
Table 2.2	Electrical Specifications	11
Table 2.3	SMBus Electrical Specifications	13
Table 3.1	ADDR_SEL Resistor Setting	15
Table 3.2	Protocol Format	17
Table 3.3	Write Byte Protocol	17
Table 3.4	Read Byte Protocol	17
Table 3.5	Send Byte Protocol	17
Table 3.6	Receive Byte Protocol	18
Table 3.7	Block Write Protocol	18
Table 3.8	Block Read Protocol	18
Table 3.9	Alert Response Address Protocol	19
Table 4.1	TH_SEL Resistor Setting (EMC1701-1 only)	24
Table 4.2	DUR_SEL Resistor Setting (EMC1701-1 only)	25
Table 5.1	Register Set in Hexadecimal Order	28
Table 5.2	Temperature Data Registers	31
Table 5.3	Temperature Data Format	31
Table 5.4	Status Register	31
Table 5.5	Configuration Register	32
Table 5.6	Conversion Rate Register	33
Table 5.7	Conversion Rate	33
Table 5.8	Temperature Limit Registers	33
Table 5.9	One-Shot Register	34
Table 5.10	Tcrit Limit Registers	34
Table 5.11	Channel Mask Register	34
Table 5.12	Consecutive Alert Register	35
Table 5.13	Consecutive ALERT / THERM Settings	36
Table 5.14	High Limit Status Register	36
Table 5.15	Low Limit Status Register	36
Table 5.16	Crit Limit Status Register	37
Table 5.17	Voltage Sampling Configuration Register	37
Table 5.18	Voltage Queue Settings	38
Table 5.19	Voltage Averaging Settings	38
Table 5.20	Current Sense Sampling Configuration Register	38
Table 5.21	Sense Queue Settings	39
Table 5.22	Current Sense Averaging Settings	39
Table 5.23	Current Sensing Sampling Time Settings	39
Table 5.24	Total Sampling Times	40
Table 5.25	Current Sensing Range (Full Scale Range) Settings	40
Table 5.26	Peak Detection Configuration Register	40
Table 5.27	PEAK_DET_TH[3:0] Bit Decode	41
Table 5.28	PEAK_DET_DUR[3:0] Bit Decode	41
Table 5.29	Sense Voltage Registers	42
Table 5.30	V <sub>SENSE</sub> Data Format	42
Table 5.31	Source Voltage Registers	43
Table 5.32	Power Ratio Registers	43
Table 5.33	V <sub>SENSE</sub> Limit Registers	44
Table 5.34	Source Voltage Limit Registers	44
Table 5.35	Critical Voltage Limit Registers	44
Table 5.36	Product Features	45



**Datasheet**

Table 5.37 Product ID Register . . . . .	45
Table 5.38 Manufacturer ID Register . . . . .	46
Table 5.39 Revision Register . . . . .	46
Table 7.1 Customer Revision History . . . . .	53

# Chapter 1 Pin Description

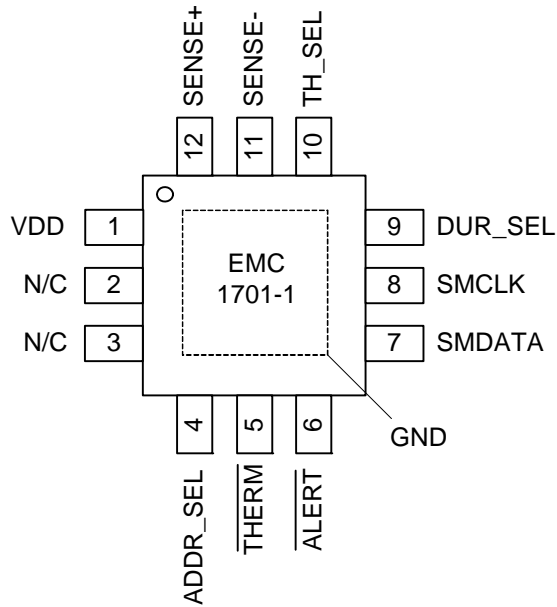


Figure 1.1 EMC1701 Pin Diagram 12-Pin QFN 4mm x 4mm

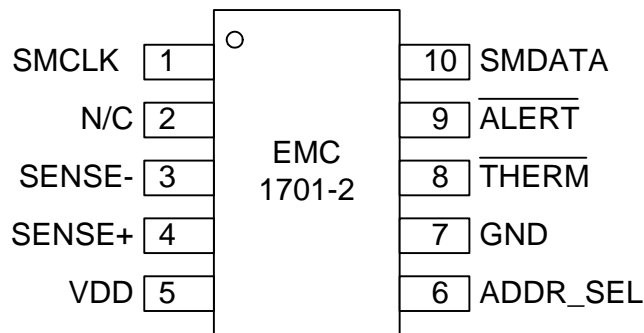


Figure 1.2 EMC1701 Pin Diagram 10-Pin MSOP



Table 1.1 Pin Description for EMC1701

PIN NUMBER EMC1701-1	PIN NUMBER EMC1701-2	PIN NAME	PIN FUNCTION	PIN TYPE
1	5	VDD	Positive power supply voltage	Power (24V)
2	2	N/C	Not internally connected	n/a
3	N/A	N/C	Not internally connected	n/a
4	6	ADDR_SEL	Selects SMBus Address	AI
5	8	$\overline{\text{THERM}}$	Active low output - requires pull-up resistor	OD (5V)
6	9	$\overline{\text{ALERT}}$	Active low output - requires pull-up resistor	OD (5V)
7	10	SMDATA	SMBus data input/output - requires external pull-up resistor	DIOD (5V)
8	1	SMCLK	SMBus clock input - requires external pull-up resistor	DI (5V)
9	N/A	DUR_SEL	Selects peak detector duration	AI
10	N/A	TH_SEL	Selects peak detector threshold	AI
11	3	SENSE-	Negative current sense measurement point	AI (24V)
12	4	SENSE+	Positive current sense measurement point	AI (24V)
Bottom Pad	7	GND	Ground	Power

The pin types are described in [Table 1.2](#). All pins labeled with (5V) are 5V tolerant. All pins labeled with (24V) are 24V tolerant.

Table 1.2 Pin Types

PIN TYPE	DESCRIPTION
Power	This pin is used to supply power or ground to the device.
AI	Analog Input - this pin is used as an input for analog signals.
OD	Open Drain Digital Output - this pin is used as a digital output. It is open drain and requires a pull-up resistor. This pin is 5V tolerant.
DI	Digital Input - this pin is used for digital inputs. This pin is 5V tolerant.
DIOD	Open Drain Digital Input / Output - this pin is bi-directional. It is open drain and requires a pull-up resistor. This pin is 5V tolerant.

## Chapter 2 Electrical Characteristics

**Table 2.1 Absolute Maximum Ratings**

Voltage on 5V tolerant pins	-0.3 to 5.5	V
Voltage on 2V tolerant pins	-0.3 to 2	V
Voltage on VDD, SENSE- and SENSE+ pins	-0.3 to 26	V
Voltage on any other pin to GND	-0.3 to 4	V
Voltage between Sense pins (  (SENSE+ - SENSE-)  )	< 6	V
Package Power Dissipation	0.5W up to $T_A = 85^\circ\text{C}$	W
Junction to Ambient ( $\theta_{JA}$ ) (QFN12 package)	58	$^\circ\text{C/W}$
Junction to Ambient ( $\theta_{JA}$ ) (MSOP10 package)	128	$^\circ\text{C/W}$
Operating Ambient Temperature Range	-40 to 85	$^\circ\text{C}$
Storage Temperature Range	-55 to 150	$^\circ\text{C}$
ESD Rating - SMCLK, SMDATA, $\overline{\text{ALERT}}$ , $\overline{\text{THERM}}$ pins - HBM	4000	V
ESD Rating - All other pins - HBM	2000	V

- Note 2.1** Stresses at or above those values listed could cause permanent damage to the device. This is a stress rating only, and functional operation of the device at any other condition above those indicated in the operation sections of this specification is not implied. Prolonged stresses above the stated operating levels and below the Absolute Maximum Ratings may degrade device performance and lead to permanent damage.
- Note 2.2** All voltages are relative to ground.
- Note 2.3** The Package Power Dissipation specification assumes a thermal via design with the thermal landing be soldered to the PCB ground plane with four 12 mil vias (where applicable).
- Note 2.4** Junction to Ambient ( $\theta_{JA}$ ) is dependent on the design of the thermal vias. Without thermal vias and a thermal landing, the  $\theta_{JA}$  is approximately  $60^\circ\text{C/W}$  (EMC1701-1) including localized PCB temperature increase.

## 2.1 Electrical Specifications

Table 2.2 Electrical Specifications

$V_{DD} = V_{BUS} = 3V \text{ TO } 24V$ , $V_{PULLUP} = 3V \text{ TO } 5.5V$ , $T_A = -40^\circ\text{C TO } 85^\circ\text{C}$ , ALL TYPICAL VALUES AT $V_{DD} = V_{PULLUP} = 3.3V$ , $V_{BUS} = 12V$ , AND $T_A = 27^\circ\text{C}$ UNLESS OTHERWISE NOTED.						
CHARACTERISTIC	SYMBOL	MIN	TYP	MAX	UNIT	CONDITIONS
<b>DC POWER</b>						
Supply Voltage	$V_{DD}$	3		24	V	
VDD Pin Supply Current	$I_{DD}$		610	750	$\mu\text{A}$	Temp conversions at 0.0625 conversions / second, dynamic averaging disabled current sense active
			650	950	$\mu\text{A}$	Temp conversions at 4 conversions / second, dynamic averaging disabled current sense active
			950	1100	$\mu\text{A}$	Temp conversions at 8 conversions / second, dynamic averaging enabled current sense active
VDD Pin Supply Current	$I_{DD\_T\_STANDBY}$			750	$\mu\text{A}$	Temp conversions disabled (TMEAS / STOP = '1') current sense active
VDD Pin Supply Current	$I_{DD\_ALL\_STANDBY}$			300	$\mu\text{A}$	Temp conversions disabled (TMEAS / STOP = '1') Current sense disabled (IMEAS / STOP = '1')
SENSE+ Pin Bias Current	$I_{SENSE+}$		90		$\mu\text{A}$	$V_{SENSE} = 0V$ , $V_{DD} = 3V \text{ to } 24V$ , Current sense active
			15		$\mu\text{A}$	$V_{SENSE} = 0V$ , $V_{DD} = 3V \text{ to } 24V$ , current sense disabled
			10	20	$\mu\text{A}$	$V_{DD} = 0V$
SENSE- Pin Bias Current	$I_{SENSE-}$		10		$\mu\text{A}$	$V_{SENSE} = 0V$ , $V_{DD} = 3V \text{ to } 24V$ , Current sense active
			10		$\mu\text{A}$	$V_{SENSE} = 0V$ , $V_{DD} = 3V \text{ to } 24V$ , current sense disabled
			0		$\mu\text{A}$	$V_{DD} = 0V$
Pull-up Voltage	$V_{PULLUP}$	3		5.5	V	Pull-up voltage for SMBus, ALERT, and THERM pins
Leakage Current ( $\pm$ )	$I_{LEAK}$			5	$\mu\text{A}$	$\overline{\text{ALERT}}$ and $\overline{\text{THERM}}$ pins, SMDATA and SMCLK pins powered or unpowered, $T_A < 85^\circ\text{C}$

Table 2.2 Electrical Specifications (continued)

$V_{DD} = V_{BUS} = 3V \text{ TO } 24V$ , $V_{PULLUP} = 3V \text{ TO } 5.5V$ , $T_A = -40^\circ\text{C TO } 85^\circ\text{C}$ , ALL TYPICAL VALUES AT $V_{DD} = V_{PULLUP} = 3.3V$ , $V_{BUS} = 12V$ , AND $T_A = 27^\circ\text{C}$ UNLESS OTHERWISE NOTED.						
CHARACTERISTIC	SYMBOL	MIN	TYP	MAX	UNIT	CONDITIONS
<b>CURRENT SENSE</b>						
Common Mode Voltage	$V_{CM}$	3		24	V	Voltage on SENSE+ and/or SENSE- pins, referenced to Ground
Differential Mode Voltage	$V_{DIFF}$	-6		+6	V	Voltage between SENSE+ and SENSE- pins
Full Scale Range ( $\pm$ ) (see Section 5.16)	FSR	0		10	mV	1 LSB = 4.885 $\mu$ V
		0		20	mV	1 LSB = 9.77 $\mu$ V
		0		40	mV	1 LSB = 19.54 $\mu$ V
		0		80	mV	1 LSB = 39.08 $\mu$ V
Total Measurement Error ( $\pm$ )	$V_{SENSE\_ERR}$		0.5	1	%	Total Error, FSR = 80mV
				3	%	Total Error, FSR = 10mV to 40mV
Offset Error ( $\pm$ )	$V_{SENSE\_OFF}$			3	LSB	Offset Error, FSR = 80mV
Power Supply Rejection	$V_{SENSE\_PSR}$		-120		dB	FSR = 10mV to 80mV, $3V < V_{DD} < 24V$
Common Mode Rejection	$V_{SENSE\_CMR}$		-110		dB	FSR = 10mV to 80mV, $3V < V_{BUS} < 24V$
<b>SOURCE VOLTAGE</b>						
Full Scale Voltage	FSV	3		23.9883	V	Voltage on SENSE+ pin
Total Measurement Error ( $\pm$ ) (see Section 4.1.2)	$V_{SOURCE\_ERR}$		0.2	0.5	%	
<b>POWER RATIO</b>						
Full Scale Range		0		100	%	1 LSB = 1.53m%
Total Measurement Error ( $\pm$ )	$P_{RATIO\_ERR}$			1.6	%	FSR = 80mV
				3	%	FSR = 10mV to 40mV
<b>CURRENT SENSE PEAK DETECTION</b>						
Peak Detector Threshold Range	$V_{TH}$	10		85	mV	Programmable via TH_SEL pin (EMC1701-1 only)
Peak Detector Duration Range	$T_{DUR}$	1		4096	ms	Programmable via DUR_SEL pin (EMC1701-1 only)
$V_{SENSE}$ Peak Detection	$t_{FILTER}$		5		us	

Table 2.2 Electrical Specifications (continued)

$V_{DD} = V_{BUS} = 3V \text{ TO } 24V$ , $V_{PULLUP} = 3V \text{ TO } 5.5V$ , $T_A = -40^\circ\text{C TO } 85^\circ\text{C}$ , ALL TYPICAL VALUES AT $V_{DD} = V_{PULLUP} = 3.3V$ , $V_{BUS} = 12V$ , AND $T_A = 27^\circ\text{C}$ UNLESS OTHERWISE NOTED.						
CHARACTERISTIC	SYMBOL	MIN	TYP	MAX	UNIT	CONDITIONS
Threshold Accuracy ( $\pm$ )	$V_{TH\_ERR}$		2	5	%	$V_{TH} = 80\text{mV}$
<b>INTERNAL TEMPERATURE MONITOR</b>						
Temperature Accuracy ( $\pm$ )			0.25	1	$^\circ\text{C}$	$-5^\circ\text{C} < T_A < 85^\circ\text{C}$
				2	$^\circ\text{C}$	$-40^\circ\text{C} < T_A < 85^\circ\text{C}$
Temperature Resolution			0.125		$^\circ\text{C}$	
<b>CONVERSION TIMES</b>						
First Conversion Ready	$t_{CONV\_T}$		180	300	ms	Time after power up before temperature and voltage measurements updated and $P_{RATIO}$ updated
SMBus Delay	$t_{SMB\_D}$			25	ms	Time before SMBus communications should be sent by host
<b>DIGITAL I/O PINS (SMCLK, SMDATA, THERM, ALERT)</b>						
Input High Voltage	$V_{IH}$	2.0			V	SMCLK, SMDATA OD pins pulled up to $V_{PULLUP}$
Input Low Voltage	$V_{IL}$			0.8	V	
Output Low Voltage	$V_{OL}$			0.4	V	OD pin pulled to $V_{PULLUP}$ 4 mA current sink

**APPLICATION NOTE:** The EMC1701 is trimmed at the 80mV range for best accuracy.

## 2.2 SMBus Electrical Specifications

Table 2.3 SMBus Electrical Specifications

$V_{DD} = V_{BUS} = 3V \text{ TO } 24V$ , $V_{PULLUP} = 3V \text{ TO } 5.5V$ , $T_A = -40^\circ\text{C TO } 85^\circ\text{C}$ Typical values are at $T_A = 27^\circ\text{C}$ unless otherwise noted.						
CHARACTERISTIC	SYMBOL	MIN	TYP	MAX	UNITS	CONDITIONS
<b>SMBUS INTERFACE</b>						
Input Capacitance	$C_{IN}$		4	10	pF	
<b>SMBUS TIMING</b>						
Clock Frequency	$f_{SMB}$	10		400	kHz	
Spike Suppression	$t_{SP}$			50	ns	

**Table 2.3 SMBus Electrical Specifications (continued)**

$V_{DD} = V_{BUS} = 3V$ to $24V$ , $V_{PULLUP} = 3V$ to $5.5V$ , $T_A = -40^{\circ}C$ to $85^{\circ}C$ Typical values are at $T_A = 27^{\circ}C$ unless otherwise noted.						
CHARACTERISTIC	SYMBOL	MIN	TYP	MAX	UNITS	CONDITIONS
Bus Free Time Start to Stop	$t_{BUF}$	1.3			us	
Setup Time: Start	$t_{SU:STA}$	0.6			us	
Setup Time: Stop	$t_{SU:STO}$	0.6			us	
Data Hold Time	$t_{HD:DAT}$	0			us	
Data Setup Time	$t_{SU:DAT}$	0.6			us	
Clock Low Period	$t_{LOW}$	1.3			us	
Clock High Period	$t_{HIGH}$	0.6			us	
Clock/Data Fall time	$t_{FALL}$			300	ns	Min = $20 + 0.1C_{LOAD}$ ns
Clock/Data Rise time	$t_{RISE}$			300	ns	Min = $20 + 0.1C_{LOAD}$ ns
Capacitive Load	$C_{LOAD}$			400	pF	Total per bus line

## Chapter 3 Communications

### 3.1 System Management Bus Interface Protocol

The EMC1701 communicates with a host controller, such as an SMSC SIO, through the SMBus. The SMBus is a two-wire serial communication protocol between a computer host and its peripheral devices. A detailed timing diagram is shown in Figure 3.1. Stretching of the SMCLK signal is supported; however, the EMC1701 will not stretch the clock signal.

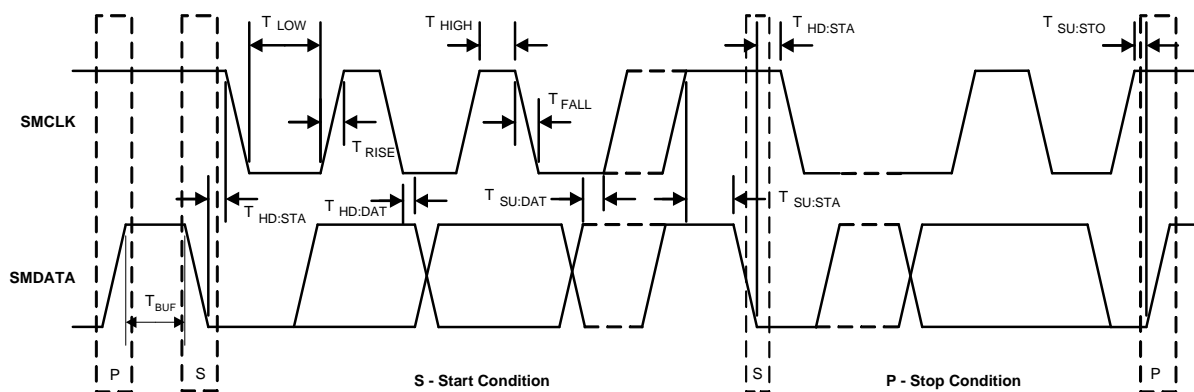


Figure 3.1 SMBus Timing Diagram

#### 3.1.1 SMBus Start Bit

The SMBus Start bit is defined as a transition of the SMBus Data line from a logic '1' state to a logic '0' state while the SMBus Clock line is in a logic '1' state.

#### 3.1.2 SMBus Address and $\overline{\text{RD}} / \overline{\text{WR}}$ Bit

The SMBus Address Byte consists of the 7-bit client address followed by a 1-bit  $\overline{\text{RD}} / \overline{\text{WR}}$  indicator. If this  $\overline{\text{RD}} / \overline{\text{WR}}$  bit is a logic '0', the SMBus host is writing data to the client device. If this  $\overline{\text{RD}} / \overline{\text{WR}}$  bit is a logic '1', the SMBus host is reading data from the client device.

The EMC1701 SMBus address is determined by a single resistor connected between ground and the ADDR\_SEL pin as shown in Table 3.1.

Table 3.1 ADDR\_SEL Resistor Setting

RESISTOR (5%)	SMBUS ADDRESS	RESISTOR (5%)	SMBUS ADDRESS
0	1001_100(r/w)	1600	0101_000(r/w)
100	1001_101(r/w)	2000	0101_001(r/w)
180	1001_110(r/w)	2700	0101_010(r/w)
300	1001_111(r/w)	3600	0101_011(r/w)
430	1001_000(r/w)	5600	0101_100(r/w)

**Table 3.1 ADDR\_SEL Resistor Setting (continued)**

RESISTOR (5%)	SMBUS ADDRESS	RESISTOR (5%)	SMBUS ADDRESS
560	1001_001(r/w)	9100	0101_100(r/w)
750	1001_010(r/w)	20000	0101_101(r/w)
1270	1001_011(r/w)	Open	0011_000(r/w)

All SMBus Data bytes are sent most significant bit first and composed of 8-bits of information.

### 3.1.3 SMBus ACK and NACK Bits

The SMBus client will acknowledge all data bytes that it receives (as well as the client address if it matches and the ARA address if the **ALERT** pin is asserted). This is done by the client device pulling the SMBus Data line low after the 8th bit of each byte that is transmitted.

The host will NACK (not acknowledge) the data received from the client by holding the SMBus data line high after the 8th data bit has been sent.

### 3.1.4 SMBus Stop Bit

The SMBus Stop bit is defined as a transition of the SMBus Data line from a logic '0' state to a logic '1' state while the SMBus clock line is in a logic '1' state. When the EMC1701 detects an SMBus Stop bit, and it has been communicating with the SMBus protocol, it will reset its client interface and prepare to receive further communications.

### 3.1.5 SMBus Time-out

The EMC1701 includes an SMBus time-out feature. Following a 30ms period of inactivity on the SMBus, the device will time-out and reset the SMBus interface.

The time-out functionality defaults to disabled and can be enabled by writing to the TIMEOUT bit (see [Section 5.11](#)).

### 3.1.6 SMBus and I<sup>2</sup>C Compliance

The major differences between SMBus and I<sup>2</sup>C devices are highlighted here. For complete compliance information, refer to the SMBus 2.0 specification.

1. Minimum frequency for SMBus communications is 10kHz.
2. The client protocol will reset if the clock is held at a logic '0' for longer than 30ms. This time-out functionality is disabled by default.
3. The client protocol will reset if both the clock and data lines are held at a logic '1' for longer than 150us. This function is disabled by default.
4. I<sup>2</sup>C devices do not support the Alert Response Address functionality (which is optional for SMBus).



## 3.2 SMBus Protocols

The EMC1701 is SMBus 2.0 compatible and supports Send Byte, Read Byte, Receive Byte, Write Byte, Block Read, and Block Write as valid protocols. It will respond to the Alert Response Address protocol but is not in full compliance.

All of the protocols listed below use the convention in [Table 3.2](#).

**Table 3.2 Protocol Format**

DATA SENT TO DEVICE	DATA SENT TO THE HOST
# of bits sent	# of bits sent

### 3.2.1 Write Byte

The Write Byte is used to write one byte of data to the registers, as shown in [Table 3.3](#):

**Table 3.3 Write Byte Protocol**

START	SLAVE ADDRESS	WR	ACK	REGISTER ADDRESS	ACK	REGISTER DATA	ACK	STOP
1 -> 0	YYYY_YYY	0	0	XXh	0	XXh	0	0 -> 1

### 3.2.2 Read Byte

The Read Byte protocol is used to read one byte of data from the registers, as shown in [Table 3.4](#).

**Table 3.4 Read Byte Protocol**

START	SLAVE ADDRESS	WR	ACK	Register Address	ACK	START	Slave Address	RD	ACK	Register Data	NACK	STOP
1 -> 0	YYYY_YYY	0	0	XXh	0	0 -> 1	YYYY_YYY	1	0	XXh	1	0 -> 1

### 3.2.3 Send Byte

The Send Byte protocol is used to set the internal address register pointer to the correct address location. No data is transferred during the Send Byte protocol, as shown in [Table 3.5](#).

**Table 3.5 Send Byte Protocol**

START	SLAVE ADDRESS	WR	ACK	REGISTER ADDRESS	ACK	STOP
1 -> 0	YYYY_YYY	0	0	XXh	0	0 -> 1

### 3.2.4 Receive Byte

The Receive Byte protocol is used to read data from a register when the internal register address pointer is known to be at the right location (e.g. set via Send Byte). This is used for consecutive reads of the same register, as shown in [Table 3.6](#).

**Table 3.6 Receive Byte Protocol**

START	SLAVE ADDRESS	RD	ACK	REGISTER DATA	NACK	STOP
1 -> 0	YYYY_YYY	1	0	XXh	1	0 -> 1

### 3.2.5 Block Write

The Block Write is used to write multiple data bytes to a group of contiguous registers, as shown in [Table 3.7](#). It is an extension of the Write Byte Protocol.

**Table 3.7 Block Write Protocol**

START	SLAVE ADDRESS	WR	ACK	REGISTER ADDRESS	ACK	REGISTER DATA	ACK
1 ->0	YYYY_YYY	0	0	XXh	0	XXh	0
REGISTER DATA	ACK	REGISTER DATA	ACK	...	REGISTER DATA	ACK	STOP
XXh	0	XXh	0	...	XXh	0	0 -> 1

### 3.2.6 Block Read

The Block Read is used to read multiple data bytes from a group of contiguous registers, as shown in [Table 3.8](#). It is an extension of the Read Byte Protocol.

**Table 3.8 Block Read Protocol**

START	SLAVE ADDRESS	WR	ACK	REGISTER ADDRESS	ACK	START	SLAVE ADDRESS	RD	ACK	REGISTER DATA
1->0	YYYY_YYY	0	0	XXh	0	1 ->0	YYYY_YYY	1	0	XXh
ACK	REGISTER DATA	ACK	REGISTER DATA	ACK	REGISTER DATA	ACK	...	REGISTER DATA	NACK	STOP
0	XXh	0	XXh	0	XXh	0	...	XXh	1	0 -> 1

## Datasheet

### 3.2.7 Alert Response Address

The  $\overline{\text{ALERT}}$  output can be used as a processor interrupt or as an SMBus Alert when configured to operate as an interrupt.

When it detects that the  $\overline{\text{ALERT}}$  pin is asserted, the host will send the Alert Response Address (ARA) to the general address of 0001\_100xb. All devices with active interrupts will respond with their client address, as shown in [Table 3.9](#).

**Table 3.9 Alert Response Address Protocol**

START	ALERT RESPONSE ADDRESS	RD	ACK	DEVICE ADDRESS	NACK	STOP
1 -> 0	0001_100	1	0	YYYY_YYY	1	0 -> 1

The EMC1701 will respond to the ARA in the following way if the  $\overline{\text{ALERT}}$  pin is asserted.

1. Send Slave Address and verify that full slave address was sent (i.e. the SMBus communication from the device was not prematurely stopped due to a bus contention event).
2. Set the MASK bit to clear the  $\overline{\text{ALERT}}$  pin.

## Chapter 4 General Description

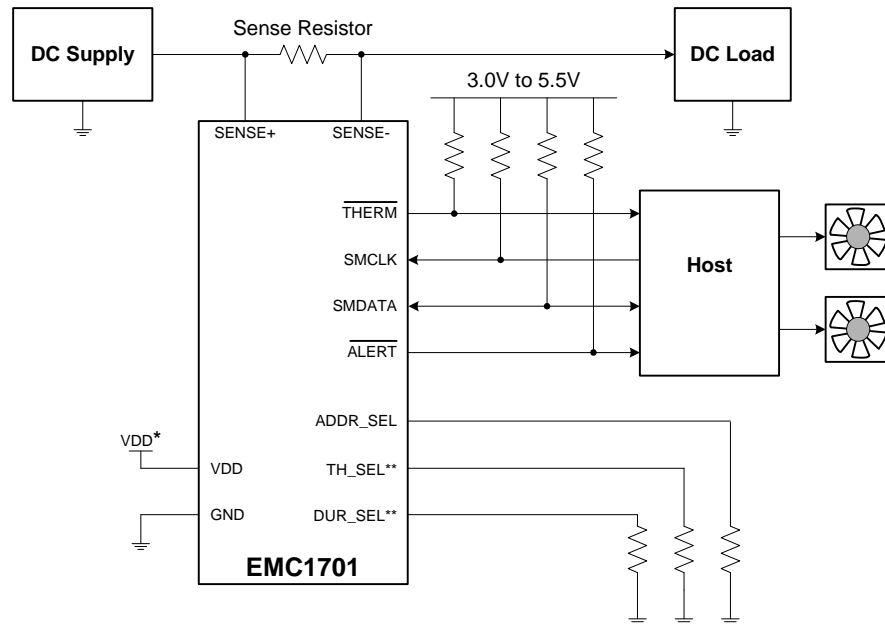
The EMC1701 is a combination high-side current sensing device with precision voltage and temperature measurement capabilities. It measures the voltage developed across an external sense resistor to represent the high-side current of a battery or voltage regulator. The EMC1701 also measures the source voltage and uses these measured values to present a proportional power calculation. The EMC1701 contains additional bi-directional peak detection circuitry to flag instantaneous current spikes with programmable time duration and magnitude threshold. Finally, the EMC1701 includes an internal diode channel for ambient temperature measurement.

The EMC1701 current-sense measurement converts differential input voltage measured across an external sense resistor to a proportional output voltage. This voltage is digitized using a variable resolution (13-bit to 15-bit) Sigma-Delta ADC and transmitted via the SMBus or I<sup>2</sup>C protocol. The current range allows for large variations in measured current with high accuracy and low voltage drop across the resistor.

The supply voltage is also measured and stored. When combined with the sense resistor voltage measurement the power provided from the source can be determined. Programmable limits on both voltage and current levels are used to generate an interrupt.

The EMC1701 has two levels of monitoring. The first provides a maskable  $\overline{\text{ALERT}}$  signal to the host when the measured temperatures or voltages meet or exceed user programmable limits. This allows the EMC1701 to be used as an independent thermal watchdog to warn the host of temperature hot spots without direct control by the host. The second level of monitoring provides a non maskable interrupt on the  $\overline{\text{THERM}}$  pin if the measured values meet or exceed a second programmable limit.

A system diagram is shown in [Figure 4.1](#).



\* Can either be DC Supply voltage or a separate supply

\*\*EMC1701-1 only

Figure 4.1 EMC1701 System Diagram

## 4.1 Source Monitoring

The EMC1701 includes circuitry for both source current sensing and source voltage measurement. From these measurements, a ratiometric value corresponding to the power delivered at the SENSE+ pin is provided.

### 4.1.1 Current Measurement

The EMC1701 includes a high-side current sensing circuit. This circuit measures the voltage,  $V_{SENSE}$ , induced across a fixed external current sense resistor,  $R_{SENSE}$ , and stores a representative voltage as a signed 11-bit number in the Sense Voltage Registers (see [Section 5.18](#)).

This circuitry is able to measure the direction of current flow (from SENSE+ to SENSE- or from SENSE- to SENSE+). Current flowing from SENSE+ to SENSE- is defined as positive current. Current flowing from SENSE- to SENSE+ is defined as negative.

The EMC1701 contains user programmable bipolar Full Scale Sense Ranges (FSSR) of  $\pm 10\text{mV}$ ,  $\pm 20\text{mV}$ ,  $\pm 40\text{mV}$ , or  $\pm 80\text{mV}$  (see [Section 5.16](#)). The default for this setting is  $\pm 80\text{mV}$ .

Each  $V_{SENSE}$  measurement is averaged over a user programmable time (see [Section 5.16](#)). It is compared against programmable high and low limits (see [Section 5.21](#)). If  $V_{SENSE}$  exceeds (or drops below) the respective limits, the ALERT pin may be asserted (the default operation is to enable current sense interrupts on the ALERT pin).

The EMC1701 also contains user programmable current peak detection circuitry (see [Section 4.1.4](#)) that will assert the THERM pin if a current spike is detected larger than the programmed threshold and of longer duration than the programmed time. This circuitry is independent of  $V_{SENSE}$ .

Full Scale Current (FSC) can be calculated from:

$FSC = \frac{FSR}{R_{SENSE}}$	where:	[1]
	FSC is the Full-Scale Current	
	FSR, the Full Scale Range, is either 10mV, 20mV, 40mV or 80mV (see <a href="#">Section 5.16</a> )	
	$R_{SENSE}$ is the external sense resistor value	

Actual source current through  $R_{SENSE}$  can then be calculated using:

$I_{SOURCE} = FSC \times \frac{V_{SENSE}}{2,047}$	where:	[2]
	$I_{SOURCE}$ is the actual source current	
	FSC is the Full-Scale Current value (from <a href="#">Equation [1]</a> )	
	$V_{SENSE}$ is the value read from the Sense Voltage Registers, ignoring the four lowest bits which are always zero (see <a href="#">Section 5.18</a> )	

For example: Suppose the system is drawing 1.65A through a  $10\text{m}\Omega$  resistor and the FSR is set for 20mV. Therefore, by [Equation \[1\]](#), the FSC is 2A.

For a positive voltage the Sense Voltage Registers are read, ignoring the lower four bits since they are always zero, as 69\_8h (0110\_1001\_1000b or 1688d) which is 82.5% of the full scale source current. This results in a calculated source current of 1.649A using [Equation \[2\]](#).

For a negative voltage the Sense Voltage Registers are read as 96\_8h, also ignoring the lower four bits since they are always zero. To calculate source current the binary value is first converted from two's complement by inverting the bits and adding one:

96\_8h = 1001\_0110\_1000b. Inverting equals 0110\_1001\_0111b (69\_7h) and adding one gives 0110\_1001\_1000b (69\_8h).

This results in the same calculated value as in the positive voltage case.

### 4.1.2 Voltage Measurement

Source voltage is measured on the supply side of the R<sub>SENSE</sub> resistor (SENSE+) and stored as an unsigned 11-bit number in the Source Voltage Registers as V<sub>SOURCE</sub> (see [Section 5.19](#)).

Each V<sub>SOURCE</sub> measurement is averaged over a user programmable time (see [Section 5.6](#) and [Section 5.15](#)). The measurement is delayed by the programmed conversion rate. V<sub>SOURCE</sub> is compared against programmable high, low, and critical limits (see [Section 5.12](#), [Section 5.13](#), and [Section 5.14](#)). If the value meets or exceeds the high limits or drops below the low limits, the ALERT pin may be asserted (default is to enable this function). If the value meets or exceeds the critical limit, the THERM pin will be asserted (see [Section 5.23](#)).

Full Scale Voltage (FSV) is given by the maximum value of the Source Voltage Registers:

$FSV = 23.9883V$	where:	<b>[3]</b>
	FSV is the Full-Scale Voltage (a constant)	

Actual source voltage at the SENSE+ pin can be calculated using:

$Source\ Voltage = FSV \times \frac{V_{SOURCE}}{4,094}$	where:	<b>[4]</b>
	Source Voltage is the voltage at the SENSE+ pin	
	FSV is the Full-Scale Voltage (from <a href="#">Equation [3]</a> )	
	V <sub>SOURCE</sub> is the digital value read from the Source Voltage Registers. Note that the lowest five bits are always zero (see <a href="#">Section 5.19</a> )	

For example: Suppose that the actual source voltage is 10.65V. The Source Voltage Registers are read as V<sub>SOURCE</sub> = 71\_Ah (0111\_0001\_1010b or 1818d) which is 44.4% of the full scale source voltage. This results in a calculated source voltage of 10.65V using [Equation \[4\]](#).

Note that the actual source voltage may also be determined by scaling each bit set by the indicated bit weighting as described in [Section 5.19](#).

### 4.1.3 Power Calculation

The EMC1701 may be used to determine the average power provided at the source side of R<sub>SENSE</sub> (SENSE+) using the value, P<sub>RATIO</sub>, contained in the Power Ratio Registers (see [Section 5.20](#)). The value represents the % of maximum calculable power.

P<sub>RATIO</sub> is mathematically generated by multiplying the absolute values of V<sub>SENSE</sub> and V<sub>SOURCE</sub> (see [Section 4.1.1](#) and [Section 4.1.2](#)) and stored as a shifted 16-bit unsigned number. P<sub>RATIO</sub> is updated whenever either V<sub>SENSE</sub> or V<sub>SOURCE</sub> is updated.

## Datasheet

Full Scale Power can be calculated from:

$FSP = FSC \times FSV$	where:	[5]
	FSP is the Full-Scale Power	
	FSC is the Full-Scale Current (from <a href="#">Equation [1]</a> )	
	FSV is the Full-Scale Voltage (from <a href="#">Equation [3]</a> )	

Actual power drawn from the source can be calculated using:

$P_{SOURCE} = FSP \times \frac{P_{RATIO}}{65,535}$	where:	[6]
	$P_{SOURCE}$ is the actual power provided by the source measured at SENSE+	
	FSP is the Full-Scale Power (from <a href="#">Equation [5]</a> )	
	$P_{RATIO}$ is the value read from the Power Ratio Registers (see <a href="#">Section 5.20</a> )	

For example: Suppose that the actual source voltage is 10.65V and the source current through a 10mΩ resistor is 1.65A. The FSC value is 2A per [Equation \[1\]](#); thus, the expected power is 17.573W which is 36.6% of the FSP value.

Reading the Power Ratio Registers will report  $P_{RATIO}$  as 24,003d (0101\_1101\_1100\_0011b or 5D\_C3h), which is 36.6% of the full scale source power. This results in a calculated source power of 17.6W.

#### 4.1.4 Current Peak Detection

The EMC1701-1 includes a hardware set instantaneous current peak detector (this circuitry is also available in the EMC1701-2 but must be configured via SMBus). The peak detector threshold and duration values may also be set via the SMBus.

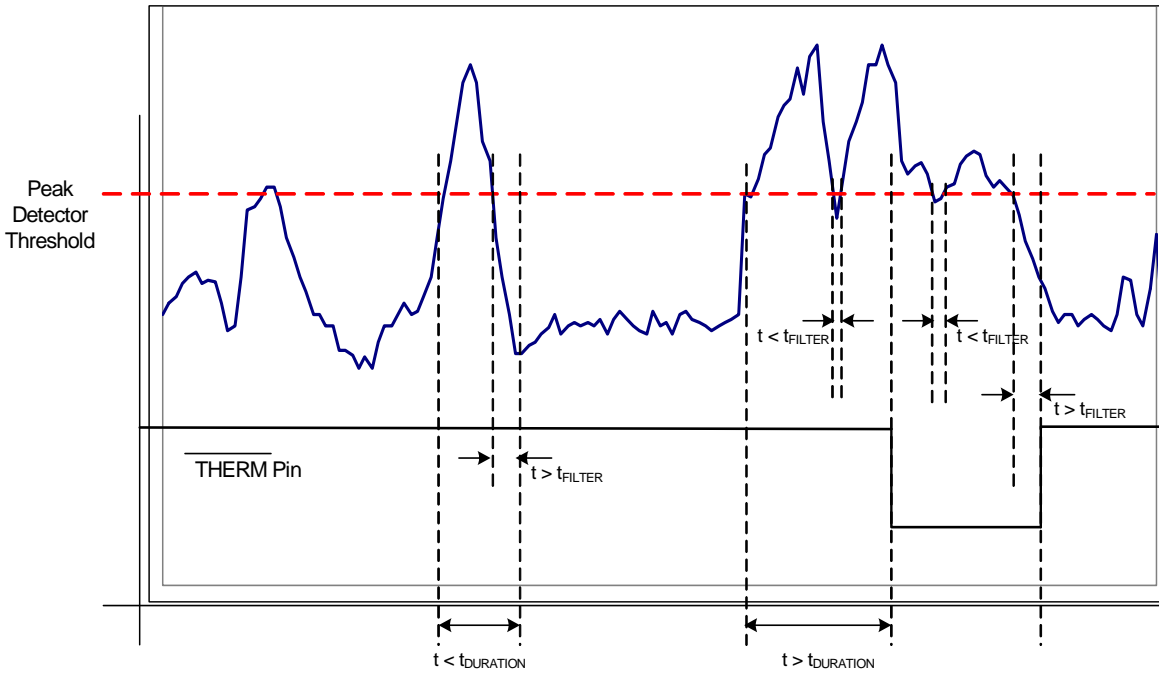
The peak detector supports detection of current spikes that occur faster than the minimum current sensing conversion time. This allows quick reaction to events requiring system-level response. The circuitry compares the measured current against a user-defined threshold value and user-defined time duration. If the measured current exceeds the threshold, an internal timer is started. If the timer reaches the programmed duration, the THERM pin is asserted (see [Figure 4.2](#) for an example of peak current detection) and the PEAK status bit set.

The  $\overline{THERM}$  pin will remain asserted until the Peak is no longer detected at which point it will be released. The PEAK status bit will likewise be cleared.

The Peak Detection circuitry may also assert the  $\overline{ALERT}$  pin. In this case, the  $\overline{ALERT}$  pin must be configured to operate in Comparator mode. If the  $\overline{ALERT}$  pin is configured to operate in Interrupt mode, the Peak Detection circuitry will not cause the  $\overline{ALERT}$  pin to be asserted.

The Peak Detection circuitry includes filtering ( $t_{FILTER}$ ). When the instantaneous current exceeds the threshold, it must drop below the threshold for a period of time greater than  $t_{FILTER}$  before the timer is reset. The Peak Detection circuitry works for current flowing in either direction through the sense resistor ( $R_{SENSE}$ ).

**APPLICATION NOTE:** The Peak Detector circuitry works independently of the current measurement integration.


**Figure 4.2 Peak Detection Example**

The peak detector threshold is determined upon device power up by the value of the resistor connected between the TH\_SEL pin and ground (for EMC1701-1 only) or via the SMBus (see [Section 5.17](#)). The resistor selects one of 16 different  $V_{SENSE}$  measurement limits (from 10mV to 85mV) as shown in [Table 4.1](#).

**Table 4.1 TH\_SEL Resistor Setting (EMC1701-1 only)**

RESISTOR (5%)	PEAK DETECTION THRESHOLD	RESISTOR (5%)	PEAK DETECTION THRESHOLD
0	10mV	1600	50mV
100	15mV	2000	55mV
180	20mV	2700	60mV
300	25mV	3600	65mV
430	30mV	5600	70mV
560	35mV	9100	75mV
750	40mV	20000	80mV
1270	45mV	Open	85mV

The peak detector duration is determined upon device power up by the value of the resistor between the DUR\_SEL pin and ground (for EMC1701-1 only) or via the SMBus (see [Section 5.17](#)). The resistor selects one of 16 different time durations from 1 ms to 4.096s as shown in [Table 4.2](#).



Table 4.2 DUR\_SEL Resistor Setting (EMC1701-1 only)

RESISTOR (5%)	PEAK DETECTION MINIMUM DURATION (T <sub>DURATION</sub> )	RESISTOR (5%)	PEAK DETECTION MINIMUM DURATION (T <sub>DURATION</sub> )
0	1ms	1600	384ms
100	5ms	2000	512ms
180	26 ms	2700	768ms
300	51 ms	3600	1024ms
430	77 ms	5600	1536ms
560	102ms	9100	2048ms
750	128ms	20000	3072ms
1270	256ms	Open	4096ms

## 4.2 VDD Biasing Options

The wide device operating voltage range allows the EMC1701 to be powered from either the source voltage or an external supply. The EMC1701 contains circuitry to detect the voltage supply level on the VDD pin and enable an internal regulator as necessary.

## 4.3 Modes of Operation

The EMC1701 has multiple modes of operation as described here:

- Fully Active - In this mode of operation, the device is measuring the temperature channel, source voltage, and sense voltage. All data is updated at the end of the respective conversion and the limits are checked. Writing to the One-Shot register will have no effect.
- Current Sense only - In this mode of operation, the device is measuring source voltage and sense voltage only. The temperature data is not updated. V<sub>SOURCE</sub> and V<sub>SENSE</sub> data are updated at the end of the respective conversion and the limits are checked. Writing to the One-Shot register will update the temperature measurements. This one-shot measurement may cause the ALERT or THERM pins to be asserted if the measured temperature violates the respective limits.
- Temperature only - In this mode of operation, the device is measuring the temperature channels only. V<sub>SOURCE</sub> and V<sub>SENSE</sub> data are not updated. The temperature data is updated at the end of the conversion and the limits are checked. Writing to the One-Shot register will update V<sub>SOURCE</sub> and V<sub>SENSE</sub>. This one-shot measurement may cause the ALERT or THERM pins to be asserted if the measured voltage or current sense readings meet or exceed the respective limits.
- Standby (Stop) - In this mode of operation, the majority of circuitry is powered down to reduce supply current. The temperature, source voltage, and sense voltage measurements are not updated and the limits are not checked. In this mode of operation, the SMBus is fully active and the part will return requested data. Writing to the One-Shot register (see Section 5.8) will enable the device to update all measurement channels (temperature, V<sub>SOURCE</sub>, and V<sub>SENSE</sub>). This one-shot measurement may cause the ALERT or THERM pins to be asserted if any of the measured values violate their respective limits. Once all the channels are updated, the device will return to the Standby mode.

## 4.4 ALERT Output

The  $\overline{\text{ALERT}}$  pin is an open drain output and requires a pull-up resistor to  $V_{\text{PULLUP}}$  and has two modes of operation: Interrupt mode and Comparator mode. The mode of the  $\overline{\text{ALERT}}$  output is selected via the  $\overline{\text{ALERT}} / \text{COMP}$  bit in the Configuration Register (see [Section 5.5](#)).

The  $\overline{\text{ALERT}}$  pin modes apply to the High Limit only for all channels. The Low Limits will always cause the  $\overline{\text{ALERT}}$  pin to behave as if it were in Interrupt mode.

The  $\overline{\text{ALERT}}$  pin is used as an interrupt signal or as an SMBus Alert signal that allows an SMBus slave to communicate an error condition to the master. One or more SMBus Alert outputs can be hard-wired together.

### 4.4.1 ALERT Pin Interrupt Mode

When configured to operate in Interrupt mode, the  $\overline{\text{ALERT}}$  pin asserts low when an out-of-limit measurement ( $\geq$  high limit or  $<$  low limit) is detected on any temperature measurement and the consecutive alert queue has been filled.

Additionally, the  $\overline{\text{ALERT}}$  pin may be asserted if the measured current or the source voltage are out of limit ( $\geq$  high limit or  $<$  low limit).

The  $\overline{\text{ALERT}}$  pin will remain asserted as long as an out-of-limit condition remains. Once the out-of-limit condition has been removed, the  $\overline{\text{ALERT}}$  pin will remain asserted until the appropriate status bits are cleared. The pin can be masked by setting the  $\text{MASK\_ALL}$  bit. Once the  $\overline{\text{ALERT}}$  pin has been masked, it will be de-asserted and remain de-asserted until the  $\text{MASK\_ALL}$  bit is cleared by the user. Any interrupt conditions that occur while the  $\overline{\text{ALERT}}$  pin is masked will update the Status Register normally.

When the  $\overline{\text{ALERT}}$  pin is configured to operate in Interrupt mode, the Peak Detector circuitry will not generate interrupts when a current peak is detected.

### 4.4.2 ALERT Pin Comparator Mode

When the  $\overline{\text{ALERT}}$  pin is configured to operate in Comparator mode, it will be asserted if the measured temperature meets or exceeds the high limit. The  $\overline{\text{ALERT}}$  pin will remain asserted until the temperature drops below the high limit minus the  $T_{\text{crit}}$  Hysteresis value (see [Section 5.9](#)).

Additionally, the  $\overline{\text{ALERT}}$  pin may be asserted if the measured current or the source voltage meet or exceed their respective high limit. The  $\overline{\text{ALERT}}$  pin will remain asserted until the measured values drop below the corresponding high limit minus the  $V_{\text{crit}}$  Hysteresis value (see [Section 5.23](#)).

When the  $\overline{\text{ALERT}}$  pin is asserted in Comparator mode, the corresponding high limit status bits will be set. Reading these bits will not clear them until the  $\overline{\text{ALERT}}$  pin is deasserted. Once the  $\overline{\text{ALERT}}$  pin is deasserted, the status bits will be automatically cleared.

The  $\text{MASK\_ALL}$  (see [Section 5.5](#)) bit will not block the  $\overline{\text{ALERT}}$  pin in this mode; however, individual mask bits (see [Section 5.10](#)) will control the respective events that will assert the  $\overline{\text{ALERT}}$  pin.

When the  $\overline{\text{ALERT}}$  pin is configured to operate in Comparator mode and the Peak Detector circuitry is linked to the  $\overline{\text{ALERT}}$  pin, an interrupt will be generated when a current peak is detected (see [Section 5.15](#)).

## 4.5 THERM Output

The  $\overline{\text{THERM}}$  output is asserted independently of the  $\overline{\text{ALERT}}$  output and cannot be masked. Whenever the measured temperature meets or exceeds the user programmed  $T_{\text{crit}}$  Limit value for the programmed number of consecutive measurements, the  $\overline{\text{THERM}}$  output is asserted. Once it has been asserted, it will remain asserted until the measured temperatures drops below the  $T_{\text{crit}}$  Limit minus the  $T_{\text{crit}}$  Hysteresis (also programmable).

Additionally, the  $\overline{\text{THERM}}$  pin will be asserted if the current sense Peak Detection circuitry has detected a current spike (see [Section 4.1.4](#)). The  $\overline{\text{THERM}}$  pin will remain asserted so long as the Peak Detection circuitry continues to detect excessive instantaneous current (greater than the programmed threshold).

**Datasheet**

As well, the THERM pin will be asserted if the measured current or source voltage meet or exceed the user programmed Vcrit Limit values. In this case, the THERM pin will remain asserted until all measured voltages drop below the Vcrit Limit minus the Vcrit Hysteresis (see [Section 5.23](#)).

## 4.6 Temperature Measurement

The EMC1701 measures the internal or ambient temperature.

The device contains programmable High, Low, and Tcrit limits for the internal temperature channel. If the temperature drops below the Low limit or meets or exceeds the High limit, the ALERT pin can be asserted (based on user settings). If the measured temperature meets or exceeds the Tcrit limit, the THERM pin is asserted unconditionally, providing two tiers of temperature detection.

## Chapter 5 Register Description

The registers shown in [Table 5.1](#) are accessible through the SMBus. An entry of '-' indicates that the bit is not used and will always read '0'.

**Table 5.1 Register Set in Hexadecimal Order**

REGISTER ADDRESS	R/W	REGISTER NAME	FUNCTION	DEFAULT VALUE	PAGE
00h	R	Internal Diode Data High Byte	Stores the integer data for the Internal Diode (mirrored at address 38h)	00h	<a href="#">Page 31</a>
02h	R	Status	Stores the status bits for the Internal Diode (mirrored at address 34h)	00h	<a href="#">Page 31</a>
03h	R/W	Configuration	Controls the general operation of the device (mirrored at address 09h)	00h	<a href="#">Page 32</a>
04h	R/W	Conversion Rate	Controls the conversion rate for updating measurement data (mirrored at address 0Ah)	06h (4/sec)	<a href="#">Page 33</a>
05h	R/W	Internal Diode High Limit	Stores the 8-bit high limit for the Internal Diode (mirrored at address 0Bh)	55h (85°C)	<a href="#">Page 33</a>
06h	R/W	Internal Diode Low Limit	Stores the 8-bit low limit for the Internal Diode (mirrored at address 0Ch)	80h (-128°C)	<a href="#">Page 33</a>
09h	R/W	Configuration	Controls the general operation of the device (mirrored at address 03h)	00h	<a href="#">Page 32</a>
0Ah	R/W	Conversion Rate	Controls the conversion rate for updating measurement data (mirrored at address 04h)	06h (4/sec)	<a href="#">Page 33</a>
0Bh	R/W	Internal Diode High Limit	Stores the 8-bit high limit for the Internal Diode (mirrored at address 05h)	55h (85°C)	<a href="#">Page 33</a>
0Ch	R/W	Internal Diode Low Limit	Stores the 8-bit low limit for the Internal Diode (mirrored at address 06h)	80h (-128°C)	<a href="#">Page 33</a>
0Fh	W	One-Shot	A write to this register initiates a one-shot update.	00h	<a href="#">Page 34</a>
1Fh	R/W	Channel Mask Register	Controls the masking of individual channels	00h	<a href="#">Page 34</a>
20h	R/W	Internal Diode Tcrit Limit	Stores the 8-bit critical temperature limit for the Internal Diode	64h (100°C)	<a href="#">Page 34</a>
21h	R/W	Tcrit Hysteresis	Stores the 8-bit hysteresis value that applies to all THERM limits	0Ah (10°C)	<a href="#">Page 34</a>

Table 5.1 Register Set in Hexadecimal Order (continued)

REGISTER ADDRESS	R/W	REGISTER NAME	FUNCTION	DEFAULT VALUE	PAGE
22h	R/W	Consecutive Alert	Controls the number of out-of-limit conditions that must occur before an interrupt is asserted	70h	<a href="#">Page 35</a>
29h	R	Internal Diode Data Low Byte	Stores the fractional data for the Internal Diode (mirrored at register 39h)	00h	<a href="#">Page 31</a>
34h	R-C	Status	Stores the status bits for the measured temperature channels, Current Sense circuitry, and Peak Detector circuitry	00h	<a href="#">Page 31</a>
35h	R-C	High Limit Status	Status bits for the High Limits	00h	<a href="#">Page 36</a>
36h	R-C	Low Limit Status	Status bits for the Low Limits	00h	<a href="#">Page 36</a>
37h	R-C	Crit Limit Status	Status bits for the Tcrit and Vcrit Limits	00h	<a href="#">Page 37</a>
38h	R	Internal Diode High Byte	Stores the integer data for the Internal Diode	00h	<a href="#">Page 31</a>
39h	R	Internal Diode Low Byte	Stores the fractional data for the Internal Diode	00h	<a href="#">Page 31</a>
Current Sense Control and Measurement					
50h	R/W	Voltage Sampling Configuration	Controls voltage sampling	80h	<a href="#">Page 37</a>
51h	R/W	Current Sense Sampling Configuration	Controls the current sensing sampling and update times	03h	<a href="#">Page 38</a>
52h	R/W	Peak Detection Config	Controls the peak detection configuration	00h	<a href="#">Page 40</a>
54h	R	Sense Voltage High Byte	Stores the voltage measured across $R_{SENSE}$	00h	<a href="#">Page 42</a>
55h	R	Sense Voltage Low Byte		00h	<a href="#">Page 42</a>
58h	R	Source Voltage High Byte	Stores voltage measured on the source side of $R_{SENSE}$	00h	<a href="#">Page 43</a>
59h	R	Source Voltage Low Byte		00h	<a href="#">Page 43</a>
5Bh	R	Power Ratio High Byte	Stores the power ratio value	00h	<a href="#">Page 43</a>
5Ch	R	Power Ratio Low Byte		00h	<a href="#">Page 43</a>
Current Sense and Source Voltage Limits					
60h	R/W	Sense Voltage High Limit	Stores the high limit for $V_{SENSE}$	7Fh	<a href="#">Page 44</a>

**Table 5.1 Register Set in Hexadecimal Order (continued)**

REGISTER ADDRESS	R/W	REGISTER NAME	FUNCTION	DEFAULT VALUE	PAGE
61h	R/W	Sense Voltage Low Limit	Stores the low or negative limit for the $V_{SENSE}$ voltage	80h	<a href="#">Page 44</a>
64h	R/W	Source Voltage High Limit	Stores the high limit for the voltage on the source side of $R_{SENSE}$	FFh	<a href="#">Page 44</a>
65h	R/W	Source Voltage Low Limit	Stores the low limit for the voltage on the source side of $R_{SENSE}$	00h	<a href="#">Page 44</a>
66h	R/W	Sense Voltage Vcrit Limit	Stores the critical limit for $V_{SENSE}$	7Fh	<a href="#">Page 44</a>
68h	R/W	Source Voltage Vcrit Limit	Stores the critical limit for the voltage on the source side of $R_{SENSE}$	FFh	<a href="#">Page 44</a>
69h	R/W	Sense Vcrit Hysteresis	Stores the hysteresis for the $V_{SENSE}$ Vcrit limit	0Ah	<a href="#">Page 44</a>
6Ah	R/W	Source Voltage Vcrit Hysteresis	Stores the hysteresis for the source voltage Vcrit limits	0Ah	<a href="#">Page 44</a>
FCh	R	Product Features	Stores information about which pin controlled product features are set	00h	<a href="#">Page 45</a>
FDh	R	Product ID	Stores a fixed value that identifies each product	38h	<a href="#">Page 45</a>
FEh	R	SMSC ID	Stores a fixed value that represents SMSC	5Dh	<a href="#">Page 46</a>
FFh	R	Revision	Stores a fixed value that represents the revision number	82h	<a href="#">Page 46</a>

## 5.1 Data Read Interlock

When any measurement channel high byte register is read (temperature or  $V_{SOURCE}$  or  $V_{SENSE}$ ), the corresponding low byte is copied into an internal 'shadow' register. The user is free to read the low byte at any time and be guaranteed that it will correspond to the previously read high byte. Regardless if the low byte is read or not, reading from the same high byte register again will automatically refresh this stored low byte data.

## 5.2 Block Mode Support

All of the status and temperature data may be retrieved with a block read of 6 bytes starting at register address 34h.

All of the voltage measurement, current sense data, and power information may be retrieved with a block read of 6 bytes starting at register address 54h.

## 5.3 Temperature Data Registers

Table 5.2 Temperature Data Registers

ADDR	R/W	REGISTER	B7	B6	B5	B4	B3	B2	B1	B0	DEFAULT
00h	R	Internal Diode High Byte	Sign	64	32	16	8	4	2	1	00h
38h											
29h	R	Internal Diode Low Byte	0.5	0.25	0.125	-	-	-	-	-	00h
39h											

As shown in [Table 5.2](#), temperature data is stored as an 11-bit value with the high byte representing the integer value and the low byte representing the fractional value left justified to occupy the MSBits.

Table 5.3 Temperature Data Format

TEMPERATURE (°C)	BINARY	HEX (AS READ BY REGISTERS)
-63.875	1100_0000_001b	C0_20h
-63	1100_0001_000b	C1_00h
-1	1111_1111_000b	FF_00h
-0.125	1111_1111_111b	FF_E0h
0	0000_0000_000b	00_00h
0.125	0000_0000_001b	00_20h
1	0000_0001_000b	01_00h
63	0011_1111_000b	3F_00h
64	0100_0000_000b	40_00h
65	0100_0001_000b	41_00h
127	0111_1111_000b	7F_00h
127.875	0111_1111_111b	7F_E0h

## 5.4 Status Register

Table 5.4 Status Register

ADDR	R/W	REGISTER	B7	B6	B5	B4	B3	B2	B1	B0	DEFAULT
02h	R	Status	BUSY	PEAK	-	HIGH	LOW	-	CRIT	-	00h
34h											

The Status Register reports general error conditions. To identify specific channels, refer to [Section 5.12](#), [Section 5.13](#), and [Section 5.14](#). The individual Status Register bits are cleared when the appropriate High Limit, Low Limit, or Crit Limit status register has been read or cleared.

Bit 7 - **BUSY** - This bit indicates that one of the ADCs is currently converting. This bit does not cause either the  $\overline{\text{ALERT}}$  or  $\overline{\text{THERM}}$  pins to be asserted.

Bit 6 - **PEAK** - This bit is set when the Peak Detector circuitry has detected a current peak that is greater than the programmed threshold for longer than the programmed duration. This bit is not sticky and will be cleared when the condition has been removed. When set, the  $\overline{\text{THERM}}$  pin or  $\overline{\text{ALERT}}$  pin (Comparator mode only) may be asserted (see [Section 5.15](#)).

Bit 4 - **HIGH** - This bit is set when any of the temperature channels meets or exceeds its programmed high limit. This bit will also be set if the  $V_{\text{SENSE}}$  or  $V_{\text{SOURCE}}$  channels meet or exceed their respective high limits. See the High Limit Status Register for specific channel information ([Section 5.12](#)). When set, the  $\overline{\text{ALERT}}$  pin is asserted.

Bit 3 - **LOW** - This bit is set when any of the temperature channels drops below its programmed low limit. This bit will also be set if the  $V_{\text{SENSE}}$  or  $V_{\text{SOURCE}}$  channels drop below their respective low limits. See the Low Limit Status Register for specific channel information ([Section 5.13](#)). When set, the  $\overline{\text{ALERT}}$  pin is asserted.

Bit 1 - **CRIT** - This bit is set when any of the temperature channels meets or exceeds its programmed  $T_{\text{crit}}$  limit. This bit will also be set if the  $V_{\text{SENSE}}$  or  $V_{\text{SOURCE}}$  channels meet or exceed their respective  $V_{\text{crit}}$  limits (see the [Section 5.14, "Crit Limit Status Register"](#) for specific channel information). When set, the  $\overline{\text{THERM}}$  pin is asserted. This bit is not sticky and will be cleared when the error condition has been removed.

## 5.5 Configuration Register

**Table 5.5 Configuration Register**

ADDR	R/W	REGISTER	B7	B6	B5	B4	B3	B2	B1	B0	DEFAULT
03h	R/W	Configuration	MASK_	TMEAS	ALERT/	-	-	IMEAS	-	-	00h
09h			ALL	/STOP	COMP			/STOP			

The Configuration Register controls the basic operation of the device. This register is fully accessible at either address.

Bit 7 - **MASK\_ALL** - Masks the  $\overline{\text{ALERT}}$  pin from asserting.

- '0' (default) - The  $\overline{\text{ALERT}}$  pin is not masked. If any of the appropriate status bits are set, the  $\overline{\text{ALERT}}$  pin will be asserted.
- '1' - The  $\overline{\text{ALERT}}$  pin is masked if configured in Interrupt mode (see [Section 4.4.1, "ALERT Pin Interrupt Mode"](#)). The Status Registers will be updated normally.

Bit 6 - **TMEAS / STOP** - Controls Temperature measurement modes.

- '0' (default) - The device is active, measuring the temperature channel.
- '1' - The device is not measuring temperature channels. It will update the temperature channel when a One-Shot command is given.

Bit 5 - **ALERT/COMP** - Controls the operation of the  $\overline{\text{ALERT}}$  pin.

- '0' (default) - The  $\overline{\text{ALERT}}$  pin acts in Interrupt mode as described in [Section 4.4.1](#).
- '1' - The  $\overline{\text{ALERT}}$  pin acts in Comparator mode as described in [Section 4.4.2](#). In this mode the MASK\_ALL bit is ignored.

Bit 2 - **IMEAS / STOP** - Controls  $V_{\text{SENSE}}$  and  $V_{\text{SOURCE}}$  measurement modes.

- '0' (default) - The device is measuring source voltage and sense voltage.



## Datasheet

- '1' -The device is not measuring the source voltage and sense voltage. It will update  $V_{SENSE}$  and  $V_{SOURCE}$  registers when a One-Shot command is given.

## 5.6 Conversion Rate Register

Table 5.6 Conversion Rate Register

ADDR	R/W	REGISTER	B7	B6	B5	B4	B3	B2	B1	B0	DEFAULT
04h	R/W	Conversion Rate	-	-	-	-		T_CONV[2:0]			06h (4/sec)
0Ah											

The Conversion Rate Register controls how often the  $V_{SOURCE}$  and temperature measurement channels are updated and compared against the limits. This register is fully accessible at either address.

Bits 2-0 - T\_CONV[2:0] - Determines the conversion rate as shown in Table 5.7. This conversion rate applies to temperature measurement and source voltage measurement.

Table 5.7 Conversion Rate

T_CONV[2:0]			CONVERSION RATE
2	1	0	
0	0	0	1 per 16 sec
0	0	1	1 per 8 sec
0	1	0	1 per 4 sec
0	1	1	1 per 2 sec
1	0	0	1 per sec
1	0	1	2 per sec
1	1	0	4 per sec (default)
1	1	1	8 per sec

## 5.7 Temperature Limit Registers

Table 5.8 Temperature Limit Registers

ADDR	R/W	REGISTER	B7	B6	B5	B4	B3	B2	B1	B0	DEFAULT
05h	R/W	Internal Diode High Limit	Sign	64	32	16	8	4	2	1	55h (85°C)
0Bh											
06h	R/W	Internal Diode Low Limit	Sign	64	32	16	8	4	2	1	80h (-128°C)
0Ch											

The device contains both high and low limits for the temperature channels. If the measured temperature meets or exceeds the high limit, the corresponding status bit is set, and the  $\overline{\text{ALERT}}$  pin is asserted. Likewise, if the measured temperature is less than or equal to the low limit, the corresponding status bit is set and the  $\overline{\text{ALERT}}$  pin is asserted.

The limit registers with multiple addresses are fully accessible at either address.

When the device is Standby or Current Sense only mode, updating the limit registers will have no effect until the next conversion cycle occurs. This conversion cycle can be initiated via a write to the One-Shot Register or by clearing the TMEAS\_STOP bit in the Configuration Register (see Section 5.5).

## 5.8 One-Shot Register

Table 5.9 One-Shot Register

ADDR.	R/W	REGISTER	B7	B6	B5	B4	B3	B2	B1	B0	DEFAULT
0Fh	W	One-Shot	Writing to this register initiates a single conversion cycle. Data is not stored and always reads 00h								00h

Writing to the One-Shot register will automatically update those channels that are not currently measured. If the device is Fully Active, writing to this register will have no effect. If the IMEAS\_STOP bit is set, writing to this register will update the  $V_{\text{SENSE}}$  and  $V_{\text{SOURCE}}$  voltage measurements. If the TMEAS\_STOP bit is set, writing to this register will update all of the temperature channel measurements.

## 5.9 Tcrit Limit Registers

Table 5.10 Tcrit Limit Registers

ADDR.	R/W	REGISTER	B7	B6	B5	B4	B3	B2	B1	B0	DEFAULT
20h	R/W	Internal Diode Tcrit Limit	Sign	64	32	16	8	4	2	1	64h (100°C)
21h	R/W	Tcrit Hysteresis	-	64	32	16	8	4	2	1	0Ah (10°C)

The Tcrit Limit Registers are used to determine whether a critical thermal event has occurred. If the measured temperature meets or exceeds the Tcrit Limit, the  $\overline{\text{THERM}}$  pin is asserted.

Unlike the  $\overline{\text{ALERT}}$  pin, the  $\overline{\text{THERM}}$  pin cannot be masked. Additionally, the  $\overline{\text{THERM}}$  pin will be released once the temperature drops below the corresponding threshold minus the Tcrit Hysteresis.

## 5.10 Channel Mask Register

Table 5.11 Channel Mask Register

ADDR	R/W	REGISTER	B7	B6	B5	B4	B3	B2	B1	B0	DEFAULT
1Fh	R/W	Channel Mask	VSENSE_MASK	VSRC_MASK	PEAK_MASK	-	-	-	-	INT MASK	00h

## Datasheet

The Channel Mask Register controls individual channel masking. When a channel is masked, the  $\overline{\text{ALERT}}$  pin will not be asserted when the masked channel reads an out-of-limit error. The channel mask does not mask the  $\overline{\text{THERM}}$  pin.

Bit 7 -  $\text{VSENSE\_MASK}$  - Masks the  $\overline{\text{ALERT}}$  pin from asserting when the  $V_{\text{SENSE}}$  value meets or exceeds the high limit or drops below the low limit. This bit will have no effect on the  $\overline{\text{THERM}}$  pin functionality.

- '0' (default) - The  $V_{\text{SENSE}}$  voltage channel will cause the  $\overline{\text{ALERT}}$  pin to be asserted (if enabled).
- '1' - The  $V_{\text{SENSE}}$  voltage channel will not cause the  $\overline{\text{ALERT}}$  pin to be asserted (if enabled).

Bit 6 -  $\text{VSRC\_MASK}$  - Masks the  $\overline{\text{ALERT}}$  pin from asserting when the  $V_{\text{SOURCE}}$  value meets or exceeds the high limit or drops below the low limit. This bit will have no effect on the  $\overline{\text{THERM}}$  pin functionality.

- '0' (default) - The  $V_{\text{SOURCE}}$  voltage channel will cause the  $\overline{\text{ALERT}}$  pin to be asserted (if enabled).
- '1' - The  $V_{\text{SOURCE}}$  voltage channel will not cause the  $\overline{\text{ALERT}}$  pin to be asserted (if enabled).

Bit 5 -  $\text{PEAK\_MASK}$  - Masks the  $\overline{\text{ALERT}}$  pin from asserting when the Peak Detector circuitry detects a current spike. This bit will have no effect on the  $\overline{\text{THERM}}$  pin functionality.

- '0' (default) - The Peak Detector circuitry will cause the  $\overline{\text{ALERT}}$  pin to be asserted (if enabled).
- '1' - The Peak Detector circuitry will not cause the  $\overline{\text{ALERT}}$  pin to be asserted (if enabled).

Bit 0 -  $\text{INTMASK}$  - Masks the  $\overline{\text{ALERT}}$  pin from asserting when the Internal Diode temperature is out-of-limit.

- '0' (default) - The Internal Diode channel will cause the  $\overline{\text{ALERT}}$  pin to be asserted if it is out-of-limit.
- '1' - The Internal Diode channel will not cause the  $\overline{\text{ALERT}}$  pin to be asserted if it is out-of-limit.

## 5.11 Consecutive Alert Register

Table 5.12 Consecutive Alert Register

ADDR	R/W	REGISTER	B7	B6	B5	B4	B3	B2	B1	B0	DEFAULT
22h	R/W	Consecutive Alert	TIME OUT	CTHRM[2:0]			CALRT[2:0]			-	70h

The Consecutive Alert Register determines how many times an out-of-limit error must be detected in consecutive measurements before the interrupt status registers are asserted. This applies to temperature limits only. The voltage measurement and current sense measurements are controlled via the Voltage Channel Configuration register and Current Sense Configuration register respectively (see [Section 5.15](#) and [Section 5.16](#)).

When the  $\overline{\text{ALERT}}$  pin is configured as a comparator, the consecutive alert counter will ignore low limit errors and only increment if the measured temperature meets or exceeds the High Limit.

Bit 7 -  $\text{TIMEOUT}$  - Determines whether the SMBus Timeout function is enabled.

- '0' (default) - The SMBus Timeout feature is disabled. The SMCLK line can be held low indefinitely without the device resetting its SMBus protocol.
- '1' - The SMBus Timeout feature is enabled. If the SMCLK line is held low for more than 30ms, the device will reset the SMBus protocol.

Bits 6-4 -  $\text{CTHRM}[2:0]$  - Determines the number of consecutive measurements that must exceed the corresponding Tcrit Limit before the  $\overline{\text{THERM}}$  pin is asserted.

Bits 3-1 - CALRT[2:0] - Determines the number of consecutive measurements that must have an out-of-limit condition before the  $\overline{\text{ALERT}}$  pin is asserted. The bits are decoded as shown in Table 5.13. The default setting is 1 consecutive out-of-limit conversion.

**Table 5.13 Consecutive  $\overline{\text{ALERT}}$  /  $\overline{\text{THERM}}$  Settings**

2	1	0	NUMBER OF CONSECUTIVE OUT-OF-LIMIT MEASUREMENTS
0	0	0	1 (default for CALRT[2:0])
0	0	1	2
0	1	1	3
1	1	1	4 (default for CTHRM[2:0])

## 5.12 High Limit Status Register

**Table 5.14 High Limit Status Register**

ADDR	R/W	REGISTER	B7	B6	B5	B4	B3	B2	B1	B0	DEFAULT
35h	R-C	High Limit Status	VSENSE_HIGH	VSRC_HIGH	-	-	-	-	-	I HIGH	00h

The High Limit Status Register contains the status bits that are set when a temperature or voltage channel high limit is met or exceeded. If any of these bits are set, the HIGH status bit in the Status Register is set. Reading from the High Limit Status Register will clear all bits if the error condition has been removed. Reading from the register will also clear the HIGH status bit in the Status Register if the error condition has been removed.

If not masked, the  $\overline{\text{ALERT}}$  pin will be set if the programmed number of consecutive alert counts have been met and any of these status bits are set. Once set, the status bits will remain set until read unless the  $\overline{\text{ALERT}}$  pin is configured as a comparator output (see Section 4.4.2).

Bit 7 - VSENSE\_HIGH - This bit is set when the  $V_{\text{SENSE}}$  value meets or exceeds its programmed high limit.

Bit 6 - VSRC\_HIGH - This bit is set when the  $V_{\text{SOURCE}}$  value meets or exceeds its programmed high limit.

Bit 0 - IHIGH - This bit is set when the Internal Diode channel meets or exceeds its programmed high limit.

## 5.13 Low Limit Status Register

**Table 5.15 Low Limit Status Register**

ADDR	R/W	REGISTER	B7	B6	B5	B4	B3	B2	B1	B0	DEFAULT
36h	R-C	Low Limit Status	VSENSE_LOW	VSRC_LOW	-	-	-	-	-	ILOW	00h

## Datasheet

The Low Limit Status Register contains the status bits that are set when a temperature or voltage channel drops below the low limit. If any of these bits are set, the LOW status bit in the Status Register is set. Reading from the Low Limit Status Register will clear all bits. Reading from the register will also clear the LOW status bit in the Status Register if the error status has been removed.

If not masked, the  $\overline{\text{ALERT}}$  pin will be set if the programmed number of consecutive alert counts have been met and any of these status bits are set.

Once set, the status bits will remain set until read.

Bit 7 - VSENSE\_LOW - This bit is set when the  $V_{\text{SENSE}}$  value drops below its programmed low limit.

Bit 6 - VSRC\_LOW - This bit is set when the  $V_{\text{SOURCE}}$  value drops below its programmed low limit.

Bit 0 - ILOW - This bit is set when the Internal Diode channel drops below its programmed low limit.

## 5.14 Crit Limit Status Register

Table 5.16 Crit Limit Status Register

ADDR	R/W	REGISTER	B7	B6	B5	B4	B3	B2	B1	B0	DEFAULT
37h	R-C	Crit Limit Status	VSENSE_VCRIT	VSRC_VCRIT	-	-	-	-	-	ITCRIT	00h

The Crit Limit Status register contains the status bits that are set when a temperature or voltage channel Tcrit or Vcrit Limit is met or exceeded (see [Section 5.9](#) and [Section 5.23](#)). If any of these bits are set, the CRIT status bit in the Status register is set. Reading from the Crit Limit Status register will not clear the status bits. Once the temperature drops below the Tcrit Limit minus the Tcrit Hysteresis, the corresponding status bits will be automatically cleared. Once the voltage drops below the Vcrit Limit minus the Vcrit Hysteresis, the corresponding status bits will be automatically cleared. The CRIT bit in the Status register will be cleared when all individual bits are cleared.

Bit 7 - VSENSE\_VCRIT - This bit is set when the  $V_{\text{SENSE}}$  value meets or exceeds its programmed Vcrit limit. When set, this bit will assert the THERM pin.

Bit 6 - VSRC\_VCRIT- This bit is set when the  $V_{\text{SOURCE}}$  value meets or exceeds its programmed Vcrit limit. When set, this bit will assert the THERM pin.

Bit 0 - ITCRIT - This bit is set when the Internal Diode channel meets or exceeds its programmed Tcrit limit. When set, this bit will assert the THERM pin.

## 5.15 Voltage Sampling Configuration Register

Table 5.17 Voltage Sampling Configuration Register

ADDR	R/W	REGISTER	B7	B6	B5	B4	B3	B2	B1	B0	DEFAULT
50h	R/W	Voltage Sampling Config	PK_ALERT_THERM	-	-	-	V_QUEUE[1:0]		V_AVG[1:0]		80h

The Voltage Sampling Configuration register controls functionality for the source voltage measurement and Peak Detector circuitry.

Bit 7 - PK\_ALERT\_THERM - Determines whether the  $\overline{\text{ALERT}}$  pin or  $\overline{\text{THERM}}$  pin is asserted if the Peak Detector detects a current spike. If configured to assert the  $\overline{\text{ALERT}}$  pin, the PEAK\_MASK can block the pin assertion normally. If configured to assert the THERM pin, it will not be masked.

- '0' - The Peak Detector circuitry will assert the  $\overline{\text{ALERT}}$  pin when a current spike is detected. The  $\overline{\text{ALERT}}$  pin must be configured to operate in Comparator mode or it will not be asserted.
- '1' (default) - The Peak Detector circuitry will assert the  $\overline{\text{THERM}}$  pin when a current spike is detected.

Bits 3 - 2 - V\_QUEUE[1:0] - Determine the number of consecutive measurements that V<sub>SOURCE</sub> must exceed the limits before flagging an interrupt.

**Table 5.18 Voltage Queue Settings**

V_QUEUE[1:0]		NUMBER OF CONSECUTIVE OUT-OF-LIMIT MEASUREMENTS
1	0	
0	0	1 (default)
0	1	2
1	0	3
1	1	4

Bits 1-0 - V\_AVG[1:0] - Controls the digital averaging that is applied to the source voltage measurement, as shown in [Table 5.19](#).

**Table 5.19 Voltage Averaging Settings**

V_AVG[1:0]		AVERAGING
1	0	
0	0	Disabled (default)
0	1	2x
1	0	4x
1	1	8x

## 5.16 Current Sense Sampling Configuration Register

**Table 5.20 Current Sense Sampling Configuration Register**

ADDR	R/W	REGISTER	B7	B6	B5	B4	B3	B2	B1	B0	DEFAULT
51h	R/W	Current Sense Sampling Config	CS_QUEUE [1:0]		CS_SAMP_AVG [1:0]		CS_SAMP_TIME[1:0]		CS_RNG [1:0]		03h

The Current Sense Sampling Configuration register stores the controls for determining the Current Sense sampling / update time.

Bits 7 - 6 - CS\_QUEUE[1:0] - Determine the number of consecutive measurements that the measured V<sub>SENSE</sub> must exceed the limits before flagging an interrupt.

Table 5.21 Sense Queue Settings

CS_QUEUE[1:0]		NUMBER OF CONSECUTIVE OUT-OF-LIMIT MEASUREMENTS
1	0	
0	0	1 (default)
0	1	2
1	0	3
1	1	4

Bits 5 - 4 - CS\_SAMP\_AVG[1:0] - Determines the number of averages that the Current Sensing Circuitry will take as shown in [Table 5.22](#).

Table 5.22 Current Sense Averaging Settings

CS_SAMP_AVG[1:0]		AVERAGING
1	0	
0	0	1x (default)
0	1	2x
1	0	4x
1	1	8x

Bits 3 - 2 - CS\_SAMP\_TIME[1:0] - Determines the sampling time of the Current Sensing Circuitry as shown in [Table 5.23](#). The  $V_{SENSE}$  voltage will be updated at this rate representing the average current over the Sampling Time multiplied by the Averaging factor as shown in [Table 5.24](#).

Table 5.23 Current Sensing Sampling Time Settings

CS_SAMP_TIME[1:0]		CURRENT SENSOR SAMPLING TIME
1	0	
0	0	82ms (default)
0	1	82ms
1	0	164ms
1	1	328ms

**Table 5.24 Total Sampling Times**

SAMPLING TIME	AVERAGING SELECTION			
	1X	2X	4X	8X
82ms	82ms	164ms	328ms	655ms
164ms	164ms	328ms	655ms	1310ms
328ms	328ms	655ms	1310ms	2620ms

Bits 1 - 0 - CS\_RNG[1:0] - Determines the Current Sense maximum expected voltage (full scale range) as shown in [Table 5.25](#).

**Table 5.25 Current Sensing Range (Full Scale Range) Settings**

CS_RNG[1:0]		CURRENT SENSOR RANGE
1	0	
0	0	10mV
0	1	20mV
1	0	40mV
1	1	80mV (default)

## 5.17 Peak Detection Configuration Register

**Table 5.26 Peak Detection Configuration Register**

ADDR	R/W	REGISTER	B7	B6	B5	B4	B3	B2	B1	B0	DEFAULT
52h	R/W	Peak Detection Config	PEAK_DET_TH[3:0]				PEAK_DET_DUR[3:0]				00h

The Peak Detection Configuration register controls the threshold and durations used by the Peak Detection circuitry. At all times, the Peak Detection threshold and duration are set by the values written into this register. The resistors on the TH\_SEL and DUR\_SEL pins are used to determine the initial values of this register (EMC1701-1 only) and will not be retained if the value is over written by the user.

These values may be updated at any time via the SMBus.

Bits 7-4 - PEAK\_DET\_TH[3:0] - Determines the Peak Detector Threshold level as shown in [Table 5.27](#).



Table 5.27 PEAK\_DET\_TH[3:0] Bit Decode

PEAK_DET_TH[3:0]				PEAK DETECTION THRESHOLD
3	2	1	0	
0	0	0	0	10mV
0	0	0	1	15mV
0	0	1	0	20mV
0	0	1	1	25mV
0	1	0	0	30mV
0	1	0	1	35mV
0	1	1	0	40mV
0	1	1	1	45mV
1	0	0	0	50mV
1	0	0	1	55mV
1	0	1	0	60mV
1	0	1	1	65mV
1	1	0	0	70mV
1	1	0	1	75mV
1	1	1	0	80mV
1	1	1	1	85mV

Bits 4-0 - PEAK\_DET\_DUR[3:0] - Determines the Peak Detector minimum time threshold as shown in [Table 5.28](#).

Table 5.28 PEAK\_DET\_DUR[3:0] Bit Decode

PEAK_DET_DUR[3:0]				PEAK DETECTION MINIMUM DURATION
3	2	1	0	
0	0	0	0	1ms
0	0	0	1	5.12ms
0	0	1	0	25.6 ms
0	0	1	1	51.2 ms
0	1	0	0	76.8 ms
0	1	0	1	102.4ms
0	1	1	0	128.0ms
0	1	1	1	256.0ms

**Table 5.28 PEAK\_DET\_DUR[3:0] Bit Decode (continued)**

PEAK_DET_DUR[3:0]				PEAK DETECTION MINIMUM DURATION
3	2	1	0	
1	0	0	0	384.0ms
1	0	0	1	512.0ms
1	0	1	0	768.0ms
1	0	1	1	1024.0ms
1	1	0	0	1536.0ms
1	1	0	1	2048.0ms
1	1	1	0	3072.0ms
1	1	1	1	4096.0ms

## 5.18 Sense Voltage Registers

**Table 5.29 Sense Voltage Registers**

ADDR	R/W	REGISTER	B7	B6	B5	B4	B3	B2	B1	B0	DEFAULT
54h	R	Sense Voltage High Byte	Sign	1024	512	256	128	64	32	16	00h
55h	R	Sense Voltage Low Byte	8	4	2	1					00h

The Sense Voltage registers store the measured  $V_{SENSE}$  voltage across the sense resistor ( $R_{SENSE}$ ) placed between the SENSE+ and SENSE- pins (see [Section 4.1.1, "Current Measurement"](#)). Note that the bit weighting values are for representation of the voltage relative to full scale. There is no internal scaling of data and all normal binary bit weightings still apply.

The Sense Voltage register data format is standard 2's complement format with the positive full scale value (7F\_Fh) and negative full scale value (80\_0h) equal to the programmed maximum sense voltage (see [Section 5.16, "Current Sense Sampling Configuration Register"](#)).

The Sign bit indicates the direction of current flow. If the Sign bit is '0', current is flowing through  $R_{SENSE}$  from the SENSE+ pin to the SENSE- pin. If the Sign bit is '1', the current is flowing through  $R_{SENSE}$  from the SENSE- pin to the SENSE+ pin. See [Section 4.1.1, "Current Measurement"](#) for examples.

**Table 5.30  $V_{SENSE}$  Data Format**

$V_{SENSE}$	BINARY	HEX (AS READ BY REGISTERS)
Minus Full Scale	1000_0000_0000	80_0h
-2 LSB	1111_1111_1110	FF_Eh
-1 LSB	1111_1111_1111	FF_Fh
Zero	0000_0000_0000	00_0h

Table 5.30  $V_{SENSE}$  Data Format (continued)

$V_{SENSE}$	BINARY	HEX (AS READ BY REGISTERS)
+1 LSB	0000_0000_0001	00_1h
+2 LSB	0000_0000_0010	00_2h
Plus Full Scale	0111_1111_1111	7F_Fh

## 5.19 Source Voltage Registers

Table 5.31 Source Voltage Registers

ADDR	R/W	REGISTER	B7	B6	B5	B4	B3	B2	B1	B0	DEFAULT
58h	R	$V_{SOURCE}$ High Byte	12	6	3	1.5	0.75	0.375	0.1875	0.0938	00h
59h	R	$V_{SOURCE}$ low Byte	0.0469	0.0234	0.0117	-	-	-	-	-	00h

The Source Voltage registers store the voltage measured at the SENSE+ pin (see [Section 4.1.2, "Voltage Measurement"](#)) as a digital value,  $V_{SOURCE}$ , consisting of a high byte and low byte with five of its LSBs always zero.

The measured voltage is determined by summing the bit weights of each bit set. For example, if  $V_{BUS}$  was 7.4V, the Source Voltage registers would read 0100\_1110 for the high byte and 1100\_0000b for the low byte corresponding to  $6V + 0.75V + 0.375V + 0.1875V + 0.0469V + 0.0234V = 7.383V$ .

The bit weightings are assigned for human interpretation. They should be disregarded when translating the information via a computing system as shown in [Section 4.1.2, "Voltage Measurement"](#).

The Source Voltage registers cannot support negative values, and all values less than 0V will be recorded as 0V.

## 5.20 Power Ratio Registers

Table 5.32 Power Ratio Registers

ADDR	R/W	REGISTER	B7	B6	B5	B4	B3	B2	B1	B0	DEFAULT
5Bh	R	Power Ratio High Byte	32768	16384	8192	4096	2048	1024	512	256	00h
5Ch	R	Power Ratio Low Byte	128	64	32	16	8	4	2	1	00h

The Power Ratio registers store a power factor value that is used to determine the final average power delivered to the system (see [Section 4.1.3, "Power Calculation"](#)). The power factor value is the result of the multiplication of the  $V_{SENSE}$  reading and the  $V_{SOURCE}$  reading values shifted to a 16-bit number. It represents the ratio of delivered power with respect to maximum power.

## 5.21 $V_{SENSE}$ Limit Registers

**Table 5.33  $V_{SENSE}$  Limit Registers**

ADDR	R/W	REGISTER	B7	B6	B5	B4	B3	B2	B1	B0	DEFAULT
60h	R/W	Sense Voltage High Limit	Sign	1024	512	256	128	64	32	16	7Fh
61h	R/W	Sense Voltage Low Limit	Sign	1024	512	256	128	64	32	16	80h

The  $V_{SENSE}$  Limit registers store a high and low limit for  $V_{SENSE}$ .  $V_{SENSE}$  is compared against both limits after each update.

The data format for the limit is a raw binary form that is relative to the maximum  $V_{SENSE}$  that has been programmed.

If the measured sense voltage meets or exceeds the high limit or drops below the low limit, the  $\overline{\text{ALERT}}$  pin is asserted and the  $V_{SENSE\_HIGH}$  or  $V_{SENSE\_LOW}$  status bits are set in the High Limit Status or Low Limit Status registers (see [Section 5.12](#) and [Section 5.13](#)).

**APPLICATION NOTE:**  $V_{SENSE}$  is always checked to be greater than the high limit or less than the low limit including when  $V_{SENSE}$  is negative.

## 5.22 Source Voltage Limit Registers

**Table 5.34 Source Voltage Limit Registers**

ADDR	R/W	REGISTER	B7	B6	B5	B4	B3	B2	B1	B0	DEFAULT
64h	R/W	Source Voltage High Limit	12	6	3	1.5	0.75	0.375	0.1875	0.0938	FFh
65h	R/W	Source Voltage Low Limit	12	6	3	1.5	0.75	0.375	0.1875	0.0938	00h

The Source Voltage Limit registers store the high and low limits for  $V_{SOURCE}$ .  $V_{SOURCE}$  is compared against all limits after each update.

If  $V_{SOURCE}$  meets or exceeds the corresponding high limit or drops below the low limit, the  $\overline{\text{ALERT}}$  pin is asserted and the  $V_{SRC\_HIGH}$  or  $V_{SRC\_LOW}$  status bits are set in the High Limit Status or Low Limit Status registers (see [Section 5.12](#) and [Section 5.13](#)).

## 5.23 Critical Voltage Limit Registers

**Table 5.35 Critical Voltage Limit Registers**

ADDR	R/W	REGISTER	B7	B6	B5	B4	B3	B2	B1	B0	DEFAULT
66h	R/W	Sense Voltage Vcrit Limit	Sign	1024	512	256	128	64	32	16	7Fh

Table 5.35 Critical Voltage Limit Registers (continued)

ADDR	R/W	REGISTER	B7	B6	B5	B4	B3	B2	B1	B0	DEFAULT
68h	R/W	Source Voltage Vcrit Limit	12	6	3	1.5	0.75	0.375	0.1875	0.0938	FFh
69h	R/W	Sense Voltage Vcrit Hysteresis	-	-	-	256	128	64	32	16	0Ah
6Ah	R/W	Source Voltage Vcrit Hysteresis	-	-	-	1.5	0.75	0.375	0.1875	0.0938	0Ah

The Critical Voltage Limit registers store the critical voltage limits (Vcrit limits) for  $V_{SENSE}$  and  $V_{SOURCE}$ .

If the respective value meets or exceeds its critical limit, the  $\overline{THERM}$  pin will be asserted low and the respective VCRIT status bit will be set (see Section 5.14, "Crit Limit Status Register"). It will remain asserted until the respective value drops below its limit minus the respective Vcrit Hysteresis value.

## 5.24 Product Features Register (EMC1701-1 only)

Table 5.36 Product Features

ADDR	R/W	REGISTER	B7	B6	B5	B4	B3	B2	B1	B0	DEFAULT
FCh	R	Product Features	TH_SEL[3:0]				DUR_SEL[3:0]				00h

The Product Features register indicates functionality that is selected by the user based on pin states upon device power up. This register applies to the EMC1701-1 only. It will always read 00h for the EMC1701-2.

Bits 7-4 - TH\_SEL[3:0] - Indicates the selected Peak Detector Threshold setting as determined by the TH\_SEL pin. This value will be the default setting for the PEAK\_DET\_TH[3:0] bits and uses the same decode as given in Table 5.27.

Bits 3-0 - DUR\_SEL[3:0] - Indicates the selected Peak Detector minimum duration setting as determined by the DUR\_SEL pin. This value will be the default setting for the PEAK\_DET\_DUR[3:0] bits and uses the same decode as given in Table 5.28.

## 5.25 Product ID Register

Table 5.37 Product ID Register

ADDR	R/W	REGISTER	B7	B6	B5	B4	B3	B2	B1	B0	DEFAULT
FDh	R	Product ID	0	0	1	1	1	0	0	0	38h

The Product ID Register holds a unique value that identifies the device.

## 5.26 SMSC ID Register

**Table 5.38 Manufacturer ID Register**

ADDR.	R/W	REGISTER	B7	B6	B5	B4	B3	B2	B1	B0	DEFAULT
FEh	R	SMSC ID	0	1	0	1	1	1	0	1	5Dh

The Manufacturer ID register contains an 8-bit word that identifies SMSC as the manufacturer of the EMC1701.

## 5.27 Revision Register

**Table 5.39 Revision Register**

ADDR.	R/W	REGISTER	B7	B6	B5	B4	B3	B2	B1	B0	DEFAULT
FFh	R	Revision	1	0	0	0	0	0	1	0	82h

The Revision register contains an 8-bit word that identifies the die revision.

# Chapter 6 Package Description

## 6.1 EMC1701-1 Package Drawing (12-Pin QFN 4mm x 4mm)

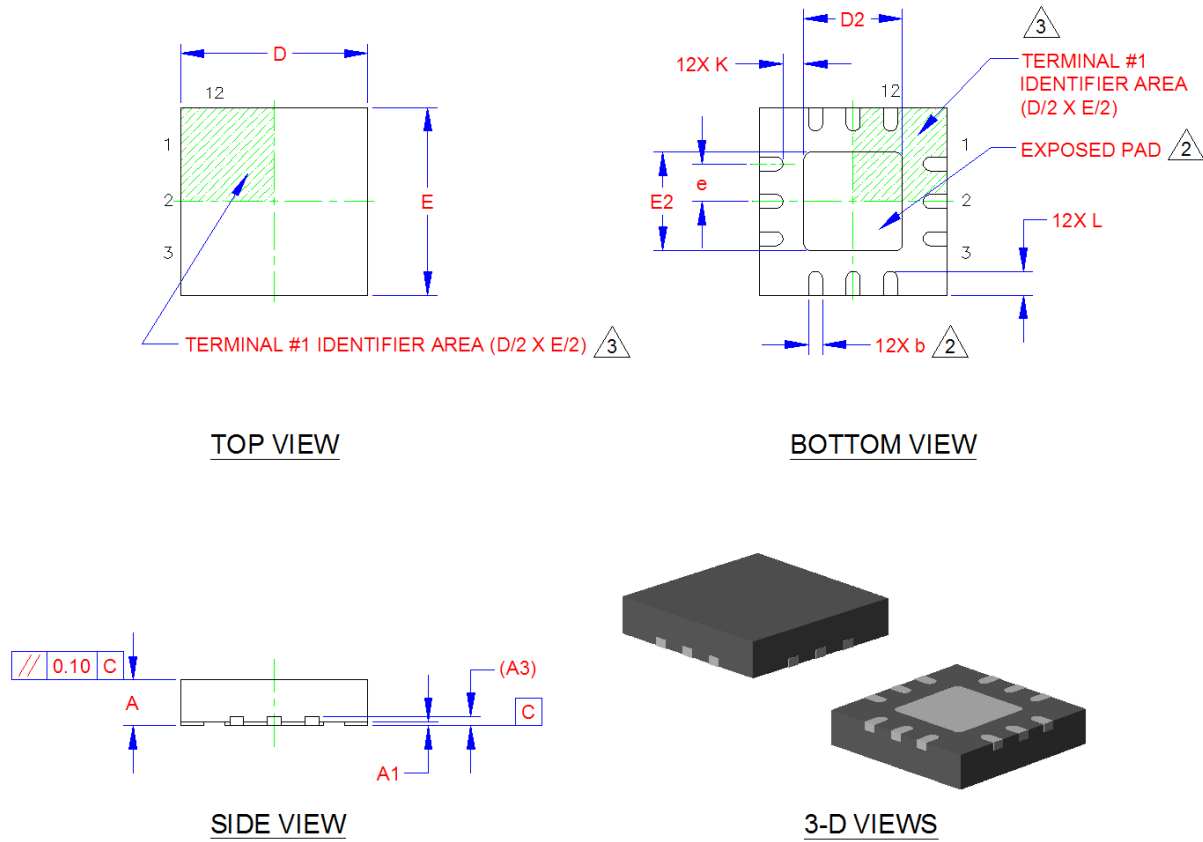
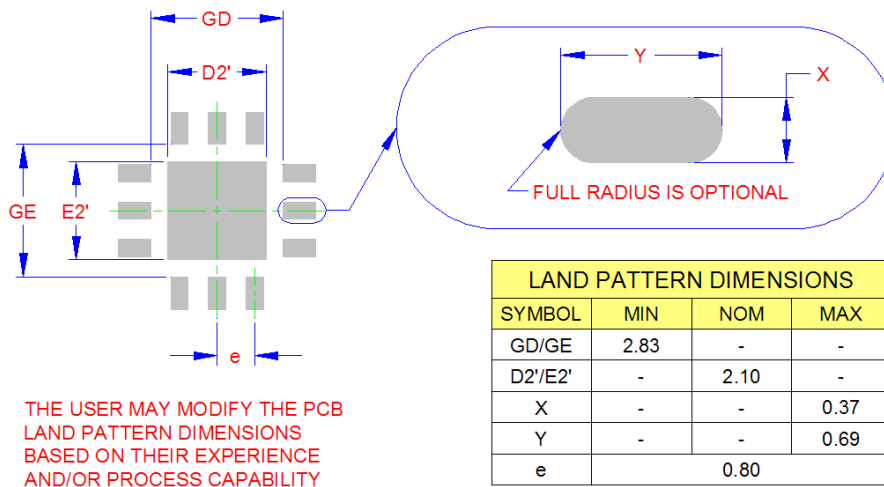


Figure 6.1 12-Pin QFN 4mm x 4mm Package Drawings

COMMON DIMENSIONS					
SYMBOL	MIN	NOM	MAX	NOTE	REMARK
A	0.80	0.85	0.90	-	OVERALL PACKAGE HEIGHT
A1	0	0.02	0.05	-	STANDOFF
A3	0.20 REF			-	LEAD-FRAME THICKNESS
D/E	3.90	4.00	4.10	-	X/Y BODY SIZE
D2/E2	2.00	2.10	2.20	2	X/Y EXPOSED PAD SIZE
L	0.45	0.50	0.55	-	TERMINAL LENGTH
b	0.25	0.30	0.35	2	TERMINAL WIDTH
K	0.20	-	-	-	TERMINAL TO PAD DISTANCE
e	0.80 BSC			-	TERMINAL PITCH

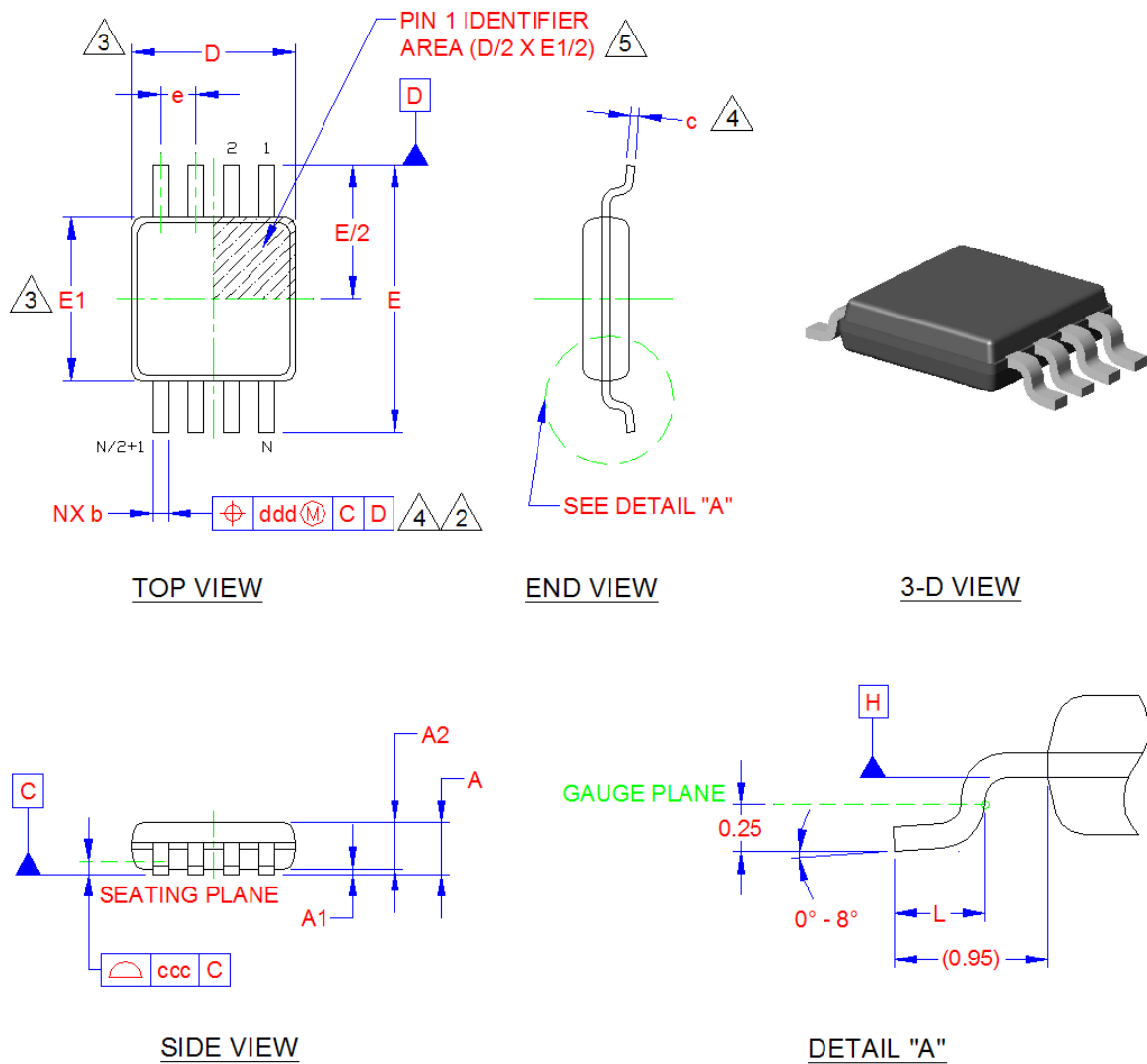
**NOTES:**

1. ALL DIMENSIONS ARE IN MILLIMETERS.
2. POSITION TOLERANCE OF EACH TERMINAL AND EXPOSED PAD IS  $\pm 0.05\text{mm}$  AT MAXIMUM MATERIAL CONDITION. DIMENSIONS "b" APPLIES TO PLATED TERMINALS AND IT IS MEASURED BETWEEN 0.15 AND 0.30 mm FROM THE TERMINAL TIP.
3. DETAILS OF TERMINAL #1 IDENTIFIER ARE OPTIONAL BUT MUST BE LOCATED WITHIN THE AREA INDICATED.

**Figure 6.2 12-Pin QFN 4mm x 4mm Package Dimensions and Notes**

**RECOMMENDED PCB LAND PATTERN**
**Figure 6.3 12-Pin QFN 4mm x 4mm PCB Footprint**



## 6.2 EMC1701-2 Package Drawing (10-pin MSOP)



**Figure 6.1 10-Pin MSOP Package Drawings (see Note 6.1)**

**Note 6.1** Although Figure 6.1 the shows a picture of an 8-pin device, dimensions are given for the 10-pin device in Figure 6.2.

Symbol	MIN	NOM	MAX	Description / Remark
A	0.80	-	1.10	Overall Package Height
A1	0.05	-	0.15	Standoff
A2	0.75	0.85	0.95	Package Body Thickness
D	2.80	3.00	3.20	X Body Size
E	4.65	4.90	5.15	Lead Span
E1	2.80	3.00	3.20	Y Body Size
L	0.40	-	0.80	Lead Foot Length
b (N = 8)	0.22	-	0.38	Lead Width
b (N = 10)	0.17	-	0.27	
c	0.08	-	0.23	Lead thickness
e (N = 8)	0.65 BSC			Lead Pitch
e (N = 10)	0.50 BSC			
ccc	0	-	0.10	Lead Coplanarity (Bending in Z direction)
ddd (N = 8)	0	-	0.13	Lead Position (Bending in X-Y plane)
ddd (N = 10)	0	-	0.08	
Notes:				
<ol style="list-style-type: none"> <li>All dimensions are in millimeters. "N" is the total number of leads.</li> <li>Dimension "b" does not include dambar protrusion. Dambar cannot be located on the lower radius of the foot.</li> <li>Dimension "D" does not include mold protrusions or flash. Maximum mold protrusions or flash is 0.15mm per end, and per side. Dimensions "D" &amp; "E1" are determined at the datum plane "H".</li> <li>Dimensions "b" and "c" apply to the flat section of the lead, between 0.08 to 0.15mm from the lead tip.</li> <li>Details of pin 1 identifier are optional, but must be located within the index area indicated.</li> </ol>				

**Figure 6.2 10-Pin MSOP Package Dimensions and Notes**

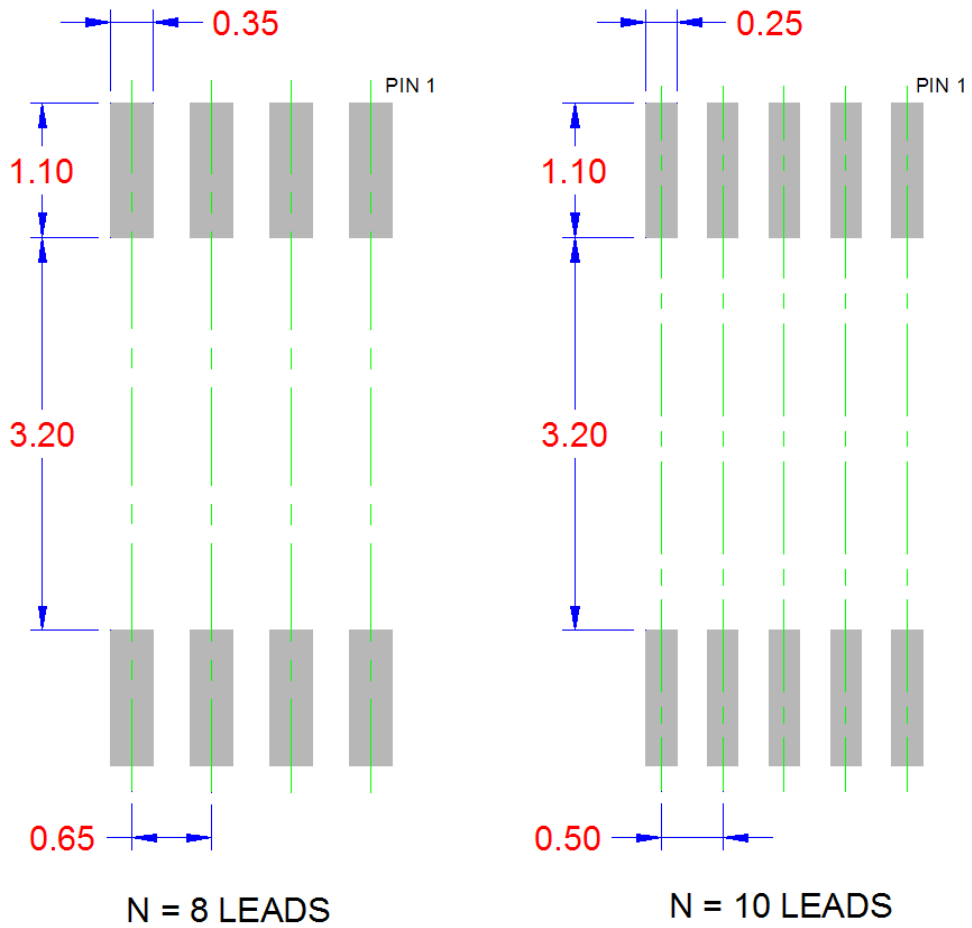


Figure 6.3 10-Pin MSOP PCB Footprint

### 6.3 EMC1701 Package Markings

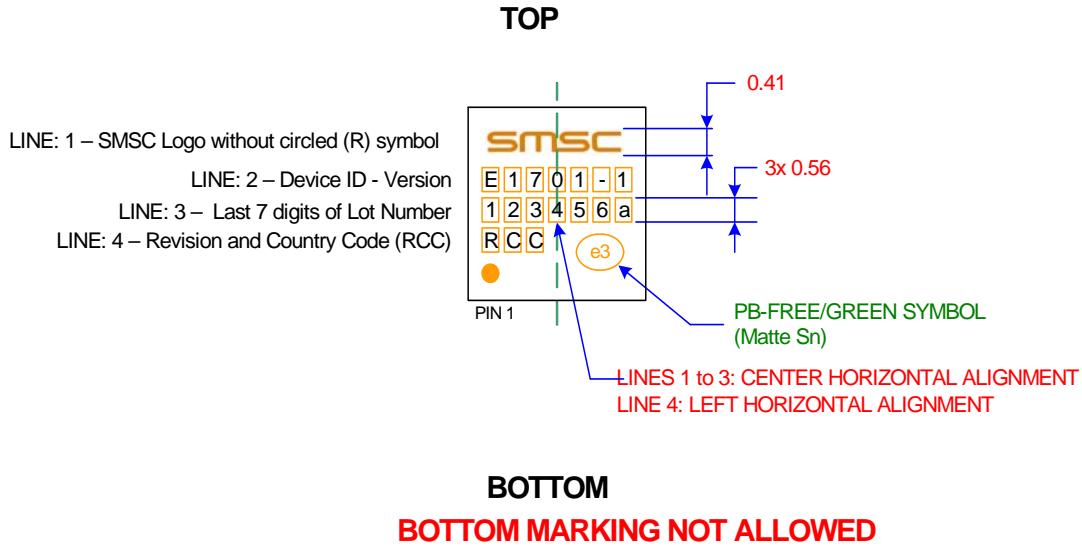


Figure 6.1 EMC1701-1 Package Markings

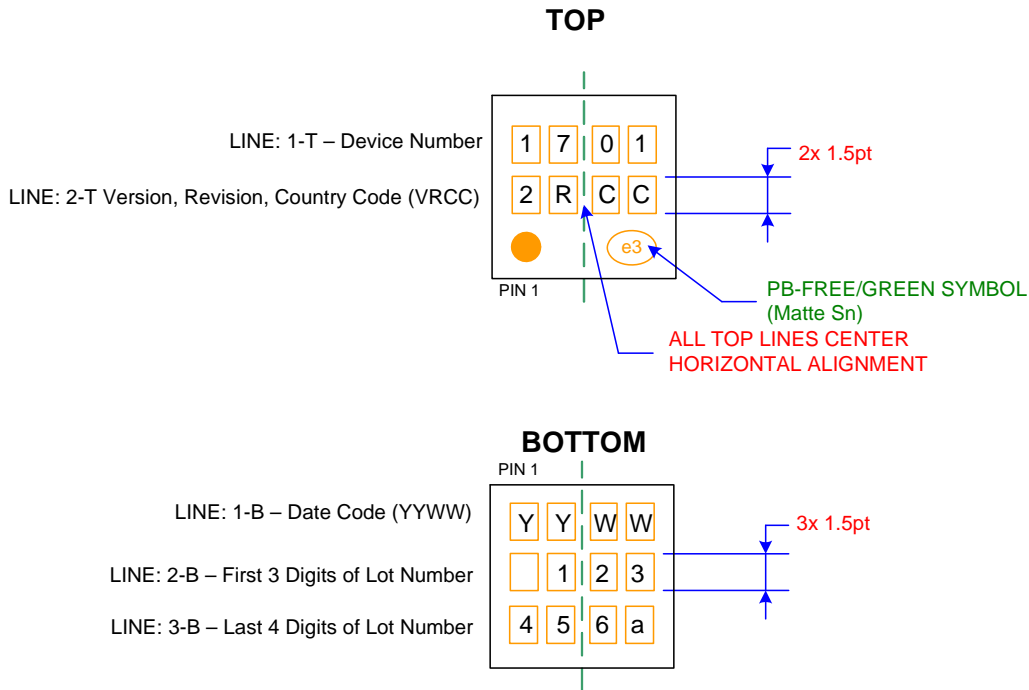


Figure 6.2 EMC1701-2 Package Markings

## Chapter 7 Datasheet Revision History

Table 7.1 Customer Revision History

REVISION LEVEL & DATE	SECTION/FIGURE/ENTRY	CORRECTION
Rev. 1.2 (09-27-10)	Table 2.1, "Absolute Maximum Ratings"	Added spec for voltage between SENSE pins.
	Table 2.2, "Electrical Specifications"	Updated all electrical specs for current sense measurement, supply current, and peak detector.
	Electrical Specifications APPLICATION NOTE:	Added note: The EMC1701 is trimmed at the 80mV range for best accuracy.
Rev. 1.1 (06-16-10)	System Diagram	Updated.
	Section 5.12, "High Limit Status Register" and Section 5.13, "Low Limit Status Register"	ALERT# pin won't be set if masked.
	Table 5.25, "Current Sensing Range (Full Scale Range) Settings"	Changed title from Current Sensing Range to Current Sensing Range (Full Scale Range) Settings.
	Table 2.1, "Absolute Maximum Ratings"	Upper limit of Operating Ambient Temperature Range changed from 125°C to 85°C.
	Table 2.2, "Electrical Specifications"	<p><math>T_A</math> upper limit changed from 125°C to 85°C.            Bus voltage symbol changed from <math>V_{SOURCE}</math> to <math>V_{BUS}</math>.  <math>I_{DD}</math> at 4 conversions/second with dynamic averaging enabled changed from 0.95 typ and 1.375 max to 0.9 typ and 1.3 max.  <math>I_{DD}</math> at 4 conversions/second with dynamic averaging disabled changed from 0.80 typ to 0.8 typ.  <math>I_{DD}</math> at 1 conversion/second with dynamic averaging disabled changed from 650 typ and 1 max to 0.7 typ and 1.0 max.  <math>V_{SENSE}</math> Full Scale Sense Range values changed from 0 min and +/- max values to - min values and + max values; conditions changed.            Total Unadjusted <math>V_{SENSE}</math> Measurement Error (<math>V_{SENSE\_TUE}</math>) renamed <math>V_{SENSE}</math> Measurement Error (<math>V_{SENSE\_ERR}</math>); typ value at 20-80mV FSR changed from 0.8 to +/-0.5 and max changed from +/-1.5 to +/-1; typ value at 10mV FSR changed from 0.2 to +/-0.8 and max changed from +/-2 to +/-1.5.  <math>V_{SENSE\_OFF}</math> condition added.  <math>V_{SENSE}</math> Measurement Gain Error has new symbol <math>V_{SENSE\_GN}</math>; added typ +/-0.2 and changed max from 0.5 to +/-0.5.  <math>V_{TH\_ERR}</math> changed from +/-20 to +/-2.  <math>V_{SOURCE\_ERR}</math> changed conditions; typ changed from 0.05 to +/-0.2 and max changed from 1 to +/-0.5.            Added Power Ratio Measurement specs.</p> <p>Data hold time changed from 0.6 min and 6 max to 0 min and no max.</p>
	Section 5.27, "Revision Register"	Functional revision C changed default from 81h to 82h.

**Table 7.1 Customer Revision History (continued)**

<b>REVISION LEVEL &amp; DATE</b>	<b>SECTION/FIGURE/ENTRY</b>	<b>CORRECTION</b>
	Document	Added EMC1701-2.
Rev. 1.0 (11-09-09)	Formal release	

Компания «Океан Электроники» предлагает заключение долгосрочных отношений при поставках импортных электронных компонентов на взаимовыгодных условиях!

Наши преимущества:

- Поставка оригинальных импортных электронных компонентов напрямую с производств Америки, Европы и Азии, а так же с крупнейших складов мира;
- Широкая линейка поставок активных и пассивных импортных электронных компонентов (более 30 млн. наименований);
- Поставка сложных, дефицитных, либо снятых с производства позиций;
- Оперативные сроки поставки под заказ (от 5 рабочих дней);
- Экспресс доставка в любую точку России;
- Помощь Конструкторского Отдела и консультации квалифицированных инженеров;
- Техническая поддержка проекта, помощь в подборе аналогов, поставка прототипов;
- Поставка электронных компонентов под контролем ВП;
- Система менеджмента качества сертифицирована по Международному стандарту ISO 9001;
- При необходимости вся продукция военного и аэрокосмического назначения проходит испытания и сертификацию в лаборатории (по согласованию с заказчиком);
- Поставка специализированных компонентов военного и аэрокосмического уровня качества (Xilinx, Altera, Analog Devices, Intersil, Interpoint, Microsemi, Actel, Aeroflex, Peregrine, VPT, Syfer, Eurofarad, Texas Instruments, MS Kennedy, Miteq, Cobham, E2V, MA-COM, Hittite, Mini-Circuits, General Dynamics и др.);

Компания «Океан Электроники» является официальным дистрибьютором и эксклюзивным представителем в России одного из крупнейших производителей разъемов военного и аэрокосмического назначения «JONHON», а так же официальным дистрибьютором и эксклюзивным представителем в России производителя высокотехнологичных и надежных решений для передачи СВЧ сигналов «FORSTAR».



## JONHON

«JONHON» (основан в 1970 г.)

Разъемы специального, военного и аэрокосмического назначения:

(Применяются в военной, авиационной, аэрокосмической, морской, железнодорожной, горно- и нефтедобывающей отраслях промышленности)

«FORSTAR» (основан в 1998 г.)

ВЧ соединители, коаксиальные кабели, кабельные сборки и микроволновые компоненты:

(Применяются в телекоммуникациях гражданского и специального назначения, в средствах связи, РЛС, а так же военной, авиационной и аэрокосмической отраслях промышленности).



Телефон: 8 (812) 309-75-97 (многоканальный)

Факс: 8 (812) 320-03-32

Электронная почта: [ocean@oceanchips.ru](mailto:ocean@oceanchips.ru)

Web: <http://oceanchips.ru/>

Адрес: 198099, г. Санкт-Петербург, ул. Калинина, д. 2, корп. 4, лит. А