

Digital Panel Meter K3TF

CSM_K3TF_DS_E_4_1

Easy-to-use, Low-cost Digital Panel Meter that Accepts AC Input

- Compact DIN-size (96 x 48 (W x H)) body.
- Mounting thickness of only 3.5 mm required.
- Highly visible display with 14.2-mm-high LEDs.
- Detects and displays root-mean-square value of half-wave rectified current.
- Confirms to EMC standards EN61010-1 (IEC61010-1).



For the most recent information on models that have been certified for safety standards, refer to your OMRON website.

Note: This Panel Meter does not support scaling.

Model Number Structure

Model Number Legend

K3TF -
 1 2 3 4

1, 2. Input Code

- V5: 0 to 199.9 mV
- V6: 0 to 1.999 V
- V7: 0 to 19.99 V
- V8: 0 to 199.9 V
- V9: 0 to 400 V
- A6: 0 to 1.999 mA
- A7: 0 to 19.99 mA
- A8: 0 to 199.9 mA
- A9: 0 to 1.999 A

3. Series No.

- 1: Current series

4. Supply Voltage

- 4: 100 to 120 VAC
- 5: 200 to 240 VAC

Ordering Information

List of Models

Models with Line Monitor



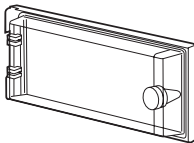
Range	Measuring ranges	Supply voltage	
		100 to 120 VAC	200 to 240 VAC
AC voltage	0 to 199.9 V	K3TF-V814	K3TF-V815
	0 to 400 V	K3TF-V914	K3TF-V915

Models with Signal Monitor

Range	Measuring ranges	Supply voltage	
		100 to 120 VAC	200 to 240 VAC
AC voltage	0 to 199.9 mV	K3TF-V514	K3TF-V515
	0 to 1.999 V	K3TF-V614	K3TF-V615
	0 to 19.99 V	K3TF-V714	K3TF-V715
AC current	0 to 1.999 mA	K3TF-A614	K3TF-A615
	0 to 19.99 mA	K3TF-A714	K3TF-A715
	0 to 199.9 mA	K3TF-A814	K3TF-A815
	0 to 1.999 A	K3TF-A914	K3TF-A915

Note: The K3TF-V8□□ and K3TF-V9□□ do not conform to CE marking standards.

■ Accessories (Order Separately)

Name	Appearance	Model
Water-resistive Soft Front Cover		K32-L49SC
Terminal Cover		K32-L49TC
Watertight Cover		Y92A-49N

- Note:**
1. Use the Mounting Bracket included with the K3TF for mounting.
 2. The Terminal Cover is used for finger protection. It has no relation to water resistance.

Specifications

■ Ratings

Supply voltage	100 to 120 VAC (50/60 Hz); 200 to 240 VAC (50/60 Hz)
Operating voltage range	-15% to +10% of supply voltage
Power consumption	4 VA (at max. load)
Insulation resistance	10 MΩ min. (at 500 VDC) between external terminal and case
Dielectric strength	2,000 VAC min. for 1 min between input terminal and power supply 2,000 VAC min. for 1 min between external terminal and case
Noise immunity	±1,500 V on power supply terminals in normal or common mode
Vibration resistance	Malfunction: 10 to 55 Hz, 0.5-mm single amplitude for 10 min each in X, Y, and Z directions Destruction: 10 to 55 Hz, 0.75-mm single amplitude for 2 hrs each in X, Y, and Z directions
Shock resistance	Malfunction: 98 m/s ² for 3 times each in 6 directions Destruction: 294 m/s ² for 3 times each in 6 directions
Ambient temperature	Operating: -10° to 55°C (with no icing) Storage: -20° to 65°C (with no icing)
Ambient humidity	Operating: 35% to 85% (with no condensation)
Ambient operating atmosphere	No corrosive gas
EMC	(EMI) EN61326+A1 Industry Emission Enclosure: CISPR 11 Group 1 class A: CISRP16-1/-2 Emission AC Mains: CISPR 11 Group 1 class A: CISRP16-1/-2 (EMS) EN61326+A1 Industry Immunity ESD: EN61000-4-2: 4 kV contact discharge (level 2) 8 kV air discharge (level 3) Immunity RF-interference: EN61000-4-3: 10 V/m (amplitude-modulated, 80 MHz to 1 GHz) (level 3) Immunity Fast Transient Noise: EN61000-4-4: 2 kV (power line) (level 3) Immunity Burst Noise: 1 kV line to line (I/O signal line) Immunity Surge: EN61000-4-5: 1 kV line to line 2 kV line to ground (power line) Immunity Conducted Disturbance EN61000-4-6: 3 V (0.15 to 80 MHz) (level 2) Immunity Voltage Dip/Interrupting EN61000-4-11: 0.5 cycles, 0, 180°, 100% (rated voltage)
Approved standard	Conforms to EN61326+A1, EN61010-1 (IEC61010-1) Conforms to VDE0106/P100 (finger protection) when the terminal cover is mounted.

Note: The K3TF-V8□□ and K3TF-V9□□ do not conform to CE marking standards.

■ Characteristics

Input signal	AC voltage/current
A/D conversion method	Double integral method
Root-mean-square value indication	Root-mean-square value of half-wave rectified current detected
Sampling period	2.5 times/s
Display refresh period	2.5 times/s
Max. displayed digits	3 1/2 digits (1999)
Display	7-segment red LED
Decimal point display position	Selected with slide switch (see note 1)
Overflow display	Overflow: #□□□
Zero suppression	Not supported.
External control	Process value hold (terminals on rear panel short-circuited)
Degree of protection	Front panel: IEC IP51 (see note 2) Case: IEC IP20 Terminals: IEC IP00

Note: 1. Only for models with signal monitor.

2. IP51 is maintained when the water-resistant soft cover and bracket are used. IP50 will be, however, maintained without these water-resistant accessories.

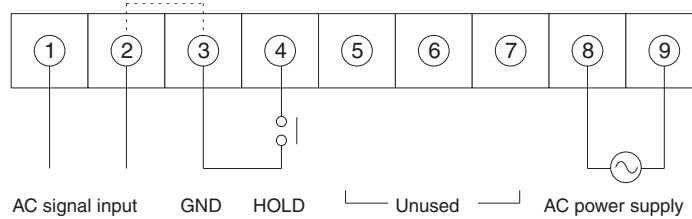
■ Measuring Ranges

Monitor	Input range	Measuring range	Max. resolution	Input impedance	Accuracy	Max. permissible load
Line monitor	AC voltage	0 to 199.9 V	100 mV	10 MΩ	$\pm 0.3\% \text{rdg} \pm 1 \text{ digit}$ (see note 1)	500 V
		0 to 400 V	1 V	10 MΩ	$\pm 0.3\% \text{rdg} \pm 1 \text{ digit}$	500 V
Signal monitor	AC voltage	0 to 199.9 mV	100 μV	10 MΩ	$\pm 0.3\% \text{rdg} \pm 1 \text{ digit}$	250 V
		0 to 1.999 V	1 mV	10 MΩ	$\pm 0.3\% \text{rdg} \pm 1 \text{ digit}$	250 V
		0 to 19.99 V	10 mV	1 MΩ	$\pm 0.3\% \text{rdg} \pm 1 \text{ digit}$	250 V
	AC current	0 to 1.999 mA	1 μA	100 Ω	$\pm 0.5\% \text{rdg} \pm 1 \text{ digit}$	50 mA
		0 to 19.99 mA	10 μA	10 Ω	$\pm 0.5\% \text{rdg} \pm 1 \text{ digit}$	150 mA
		0 to 199.9 mA	100 μA	1 Ω	$\pm 0.5\% \text{rdg} \pm 1 \text{ digit}$	500 mA
	0 to 1.999 A	1 mA	0.1 Ω	$\pm 0.5\% \text{rdg} \pm 1 \text{ digit}$	3 A	

- Note:**
1. With 100% input. $\pm 0.3\% \text{ FS} \pm 1 \text{ digit}$ when the input is less than 35% FS.
 2. The above accuracy is at an input frequency range of 40 Hz to 1 kHz and an ambient temperature of $23 \pm 5^\circ\text{C}$.
 3. A large error will result if a signal that is not a sine wave is used (e.g., a signal from thyristor control).

Connections

■ External Connections



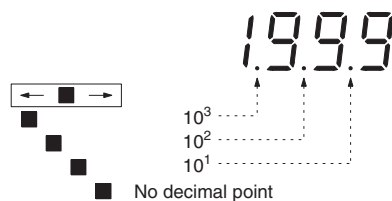
Note: Terminals 2 and 3 of the models are not internally insulated. Connect a relay with high contact reliability and insulation (with a minimum load current of 0.3 mA) or a photocoupler with high insulation (with a residual voltage of 1 V max. and a current leakage of 0.1 mA max.) to these terminals for external control.

Nomenclature



Display

Unit name



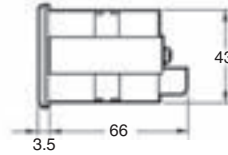
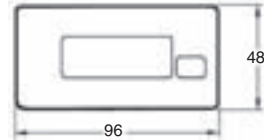
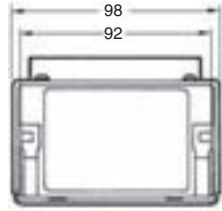
Select the decimal position with the slide switch under the cover on the front panel (signal monitor only).

Remove the front panel by using a flat-blade screwdriver or your fingernail in the two notches at the bottom.

Note: The decimal position cannot be changed for the K3TF-V81□ or K3TF-V91□.

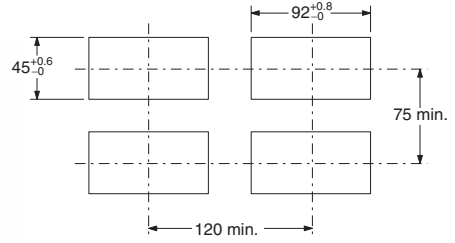
Dimensions

Note: All units are in millimeters unless otherwise indicated.



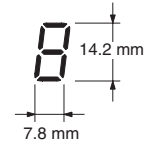
The K3TF uses M3.5 terminals.

Panel Cutouts



Note: The values above are recommended values. Do not group-mount the meters at intervals less than the recommended ones.

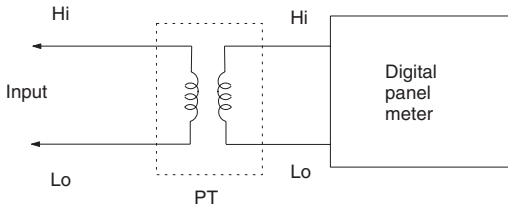
LED Indicator Size



Application Examples

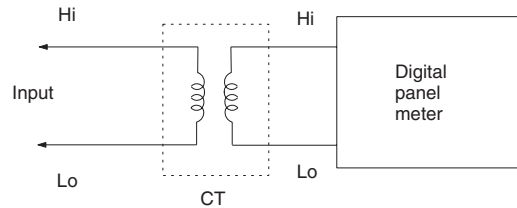
High AC Voltage Measurement

When voltage exceeding the maximum voltage in the standard range is measured (for example: more than 400 V), a divider or potential transformer (PT) is connected externally.



Large AC Current Measurement

When AC current exceeding 2 A is measured, a current transformer (CT) is connected externally.

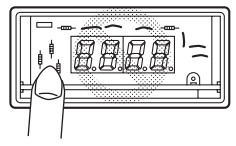


Safety Precautions

Refer to *Safety Precautions for All Digital Panel Meters*.

Precautions for Safe Use

The front panel cover is removed when setting the decimal point position or performing calibration. Do not, however, touch any parts other than the slide switches or adjustment knob or come close to any metal parts.



Precautions for Correct Use

Mounting

Recommended panel thickness is 1 to 3.2 mm.

Mount the Digital Panel Meter by attaching the mounting bracket supplied as an accessory from the rear of the Digital Panel Meter, hook the mounting bracket to the Digital Panel Meter securely, and tighten the mounting screws by turning them clockwise with a tightening torque of 5 kgf·cm (0.49 N·m). For dismounting, loosen the screws and widen the hooks.

Always attach the Mounting Bracket before wiring the terminals. Also, always remove the wiring before removing the Mounting Bracket.

Mount the Digital Panel Meter as horizontally as possible.

Never use the Digital Panel Meter in locations where corrosive gas (particularly sulfide or ammonia gas) is generated.

As much as possible avoid use of the Digital Panel Meter in a location subject to severe shock or vibration, excessive dust, or excessive moisture.

Select a mounting location where the Digital Panel Meter can be used at an ambient operating temperature -10° to 55°C .

No product is shipped with the unit label attached. Select a unit label from the sheet provided, and attach it to the Digital Panel Meter.



Calibration

Calibrate the Digital Panel Meter regularly so that the Digital Panel Meter can maintain processing accuracy.

Use a standard signal generator with an accuracy of 99.99% min. for calibration.

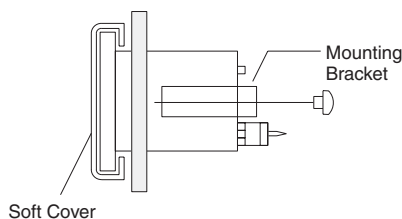
For the precise calibration methods, refer to the Instruction Sheet for the Digital Panel Meter.

After the front panel cover is removed to calibrate the K3TF or set the decimal position, do not touch components other than the slide switch and calibration adjuster. Keep metal objects off the K3TF after the cover is removed, especially when power is turned on.

Accessories (Order Separately)

Water-resistant Soft Front Cover

Before mounting the Digital Panel Meter to a panel, attach the water-resistant soft front cover and mounting bracket to the Digital Panel Meter properly so that the Digital Panel Meter will maintain IP51 water-resistant standards. Before you calibrate Digital Panel Meters, remove the water-resistant soft front cover. Refer to the operation manual included with the Digital Panel Meter for the calibration procedure.



Note: Be sure to use the Water-resistant Soft Front Cover and mounting bracket together.

ALL DIMENSIONS SHOWN ARE IN MILLIMETERS.

To convert millimeters into inches, multiply by 0.03937. To convert grams into ounces, multiply by 0.03527.

In the interest of product improvement, specifications are subject to change without notice.

Terms and Conditions Agreement

Read and understand this catalog.

Please read and understand this catalog before purchasing the products. Please consult your OMRON representative if you have any questions or comments.

Warranties.

(a) Exclusive Warranty. Omron's exclusive warranty is that the Products will be free from defects in materials and workmanship for a period of twelve months from the date of sale by Omron (or such other period expressed in writing by Omron). Omron disclaims all other warranties, express or implied.

(b) Limitations. OMRON MAKES NO WARRANTY OR REPRESENTATION, EXPRESS OR IMPLIED, ABOUT NON-INFRINGEMENT, MERCHANTABILITY OR FITNESS FOR A PARTICULAR PURPOSE OF THE PRODUCTS. BUYER ACKNOWLEDGES THAT IT ALONE HAS DETERMINED THAT THE PRODUCTS WILL SUITABLY MEET THE REQUIREMENTS OF THEIR INTENDED USE.

Omron further disclaims all warranties and responsibility of any type for claims or expenses based on infringement by the Products or otherwise of any intellectual property right. (c) Buyer Remedy. Omron's sole obligation hereunder shall be, at Omron's election, to (i) replace (in the form originally shipped with Buyer responsible for labor charges for removal or replacement thereof) the non-complying Product, (ii) repair the non-complying Product, or (iii) repay or credit Buyer an amount equal to the purchase price of the non-complying Product; provided that in no event shall Omron be responsible for warranty, repair, indemnity or any other claims or expenses regarding the Products unless Omron's analysis confirms that the Products were properly handled, stored, installed and maintained and not subject to contamination, abuse, misuse or inappropriate modification. Return of any Products by Buyer must be approved in writing by Omron before shipment. Omron Companies shall not be liable for the suitability or unsuitability or the results from the use of Products in combination with any electrical or electronic components, circuits, system assemblies or any other materials or substances or environments. Any advice, recommendations or information given orally or in writing, are not to be construed as an amendment or addition to the above warranty.

See <http://www.omron.com/global/> or contact your Omron representative for published information.

Limitation on Liability; Etc.

OMRON COMPANIES SHALL NOT BE LIABLE FOR SPECIAL, INDIRECT, INCIDENTAL, OR CONSEQUENTIAL DAMAGES, LOSS OF PROFITS OR PRODUCTION OR COMMERCIAL LOSS IN ANY WAY CONNECTED WITH THE PRODUCTS, WHETHER SUCH CLAIM IS BASED IN CONTRACT, WARRANTY, NEGLIGENCE OR STRICT LIABILITY.

Further, in no event shall liability of Omron Companies exceed the individual price of the Product on which liability is asserted.

Suitability of Use.

Omron Companies shall not be responsible for conformity with any standards, codes or regulations which apply to the combination of the Product in the Buyer's application or use of the Product. At Buyer's request, Omron will provide applicable third party certification documents identifying ratings and limitations of use which apply to the Product. This information by itself is not sufficient for a complete determination of the suitability of the Product in combination with the end product, machine, system, or other application or use. Buyer shall be solely responsible for determining appropriateness of the particular Product with respect to Buyer's application, product or system. Buyer shall take application responsibility in all cases.

NEVER USE THE PRODUCT FOR AN APPLICATION INVOLVING SERIOUS RISK TO LIFE OR PROPERTY OR IN LARGE QUANTITIES WITHOUT ENSURING THAT THE SYSTEM AS A WHOLE HAS BEEN DESIGNED TO ADDRESS THE RISKS, AND THAT THE OMRON PRODUCT(S) IS PROPERLY RATED AND INSTALLED FOR THE INTENDED USE WITHIN THE OVERALL EQUIPMENT OR SYSTEM.

Programmable Products.

Omron Companies shall not be responsible for the user's programming of a programmable Product, or any consequence thereof.

Performance Data.

Data presented in Omron Company websites, catalogs and other materials is provided as a guide for the user in determining suitability and does not constitute a warranty. It may represent the result of Omron's test conditions, and the user must correlate it to actual application requirements. Actual performance is subject to the Omron's Warranty and Limitations of Liability.

Change in Specifications.

Product specifications and accessories may be changed at any time based on improvements and other reasons. It is our practice to change part numbers when published ratings or features are changed, or when significant construction changes are made. However, some specifications of the Product may be changed without any notice. When in doubt, special part numbers may be assigned to fix or establish key specifications for your application. Please consult with your Omron's representative at any time to confirm actual specifications of purchased Product.

Errors and Omissions.

Information presented by Omron Companies has been checked and is believed to be accurate; however, no responsibility is assumed for clerical, typographical or proofreading errors or omissions.

2014.2

In the interest of product improvement, specifications are subject to change without notice.

OMRON Corporation
Industrial Automation Company

<http://www.ia.omron.com/>

(c)Copyright OMRON Corporation 2014 All Right Reserved.

Mouser Electronics

Authorized Distributor

Click to View Pricing, Inventory, Delivery & Lifecycle Information:

Omron:

[K3TF-A914](#) [K32-L49TC](#) [K3TF-V914](#) [K3TF-V814](#) [K3TF-V514](#)

Компания «Океан Электроники» предлагает заключение долгосрочных отношений при поставках импортных электронных компонентов на взаимовыгодных условиях!

Наши преимущества:

- Поставка оригинальных импортных электронных компонентов напрямую с производств Америки, Европы и Азии, а так же с крупнейших складов мира;
- Широкая линейка поставок активных и пассивных импортных электронных компонентов (более 30 млн. наименований);
- Поставка сложных, дефицитных, либо снятых с производства позиций;
- Оперативные сроки поставки под заказ (от 5 рабочих дней);
- Экспресс доставка в любую точку России;
- Помощь Конструкторского Отдела и консультации квалифицированных инженеров;
- Техническая поддержка проекта, помощь в подборе аналогов, поставка прототипов;
- Поставка электронных компонентов под контролем ВП;
- Система менеджмента качества сертифицирована по Международному стандарту ISO 9001;
- При необходимости вся продукция военного и аэрокосмического назначения проходит испытания и сертификацию в лаборатории (по согласованию с заказчиком);
- Поставка специализированных компонентов военного и аэрокосмического уровня качества (Xilinx, Altera, Analog Devices, Intersil, Interpoint, Microsemi, Actel, Aeroflex, Peregrine, VPT, Syfer, Eurofarad, Texas Instruments, MS Kennedy, Miteq, Cobham, E2V, MA-COM, Hittite, Mini-Circuits, General Dynamics и др.);

Компания «Океан Электроники» является официальным дистрибьютором и эксклюзивным представителем в России одного из крупнейших производителей разъемов военного и аэрокосмического назначения «JONHON», а так же официальным дистрибьютором и эксклюзивным представителем в России производителя высокотехнологичных и надежных решений для передачи СВЧ сигналов «FORSTAR».



JONHON

«JONHON» (основан в 1970 г.)

Разъемы специального, военного и аэрокосмического назначения:

(Применяются в военной, авиационной, аэрокосмической, морской, железнодорожной, горно- и нефтедобывающей отраслях промышленности)

«FORSTAR» (основан в 1998 г.)

ВЧ соединители, коаксиальные кабели,
кабельные сборки и микроволновые компоненты:

(Применяются в телекоммуникациях гражданского и специального назначения, в средствах связи, РЛС, а так же военной, авиационной и аэрокосмической отраслях промышленности).



Телефон: 8 (812) 309-75-97 (многоканальный)

Факс: 8 (812) 320-03-32

Электронная почта: ocean@oceanchips.ru

Web: <http://oceanchips.ru/>

Адрес: 198099, г. Санкт-Петербург, ул. Калинина, д. 2, корп. 4, лит. А