

Description

The AP3429/A is a 2A step-down DC-DC converter. At heavy load, the constant frequency PWM control performs excellent stability and transient response. No external compensation components are required.

The AP3429/A supports a range of input voltages from 2.7V to 5.5V, allowing the use of a single Li+/Li- polymer cell, multiple Alkaline/NiMH cell, and other standard power sources. The output voltage is adjustable from 0.6V to the input voltage. The AP3429/A employs internal power switch and synchronous rectifier to minimize external part count and realize high efficiency. During shutdown, the input is disconnected from the output and the shutdown current is less than 1 μ A. Other key features include over-temperature and short circuit protection, and under-voltage lockout to prevent deep battery discharge.

The AP3429/A delivers 2A maximum output current while consuming only 90 μ A of no-load quiescent current. Ultra-low $R_{DS(ON)}$ integrated MOSFETs and 100% duty cycle operation make the AP3429/A an ideal choice for high output voltage, high current applications which require a low dropout threshold.

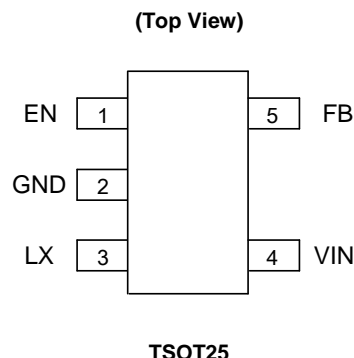
The AP3429/A is available in TSOT25 package.

Applications

- 5V or 3.3V Point of Load Conversion
- Telecom/Networking Equipment
- Set Top Boxes
- Storage Equipment
- Video Cards
- DDR Power Supply

- Notes:
1. No purposely added lead. Fully EU Directive 2002/95/EC (RoHS) & 2011/65/EU (RoHS 2) compliant.
 2. See http://www.diodes.com/quality/lead_free.html for more information about Diodes Incorporated's definitions of Halogen- and Antimony-free, "Green" and Lead-free.
 3. Halogen- and Antimony-free "Green" products are defined as those which contain <900ppm bromine, <900ppm chlorine (<1500ppm total Br + Cl) and <1000ppm antimony compounds.

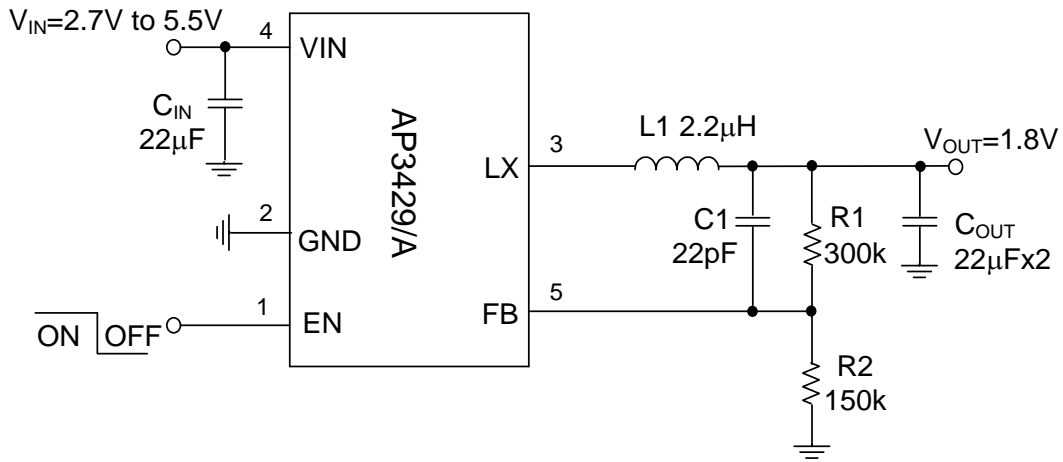
Pin Assignments



Features

- Output Current: Up to 2A
- Output Voltage: 0.6V to V_{IN}
- Input Voltage: 2.7V to 5.5V
- Shutdown Current: <1 μ A
- 100% Duty Cycle Operation
- 1MHz Switching Frequency
- Internal Soft Start
- No External Compensation Required
- Short Circuit Protection
 - AP3429: Latch Off Protection
 - AP3429A: Hiccup Mode Protection
- Over Voltage Protection
 - AP3429: Latch Off Protection
 - AP3429A: No Latch Off Protection
- Thermal Shutdown
- TSOT25 package
- **Totally Lead-Free & Fully RoHS Compliant (Notes 1 & 2)**
- **Halogen and Antimony Free. "Green" Device (Note 3)**

Typical Applications Circuit



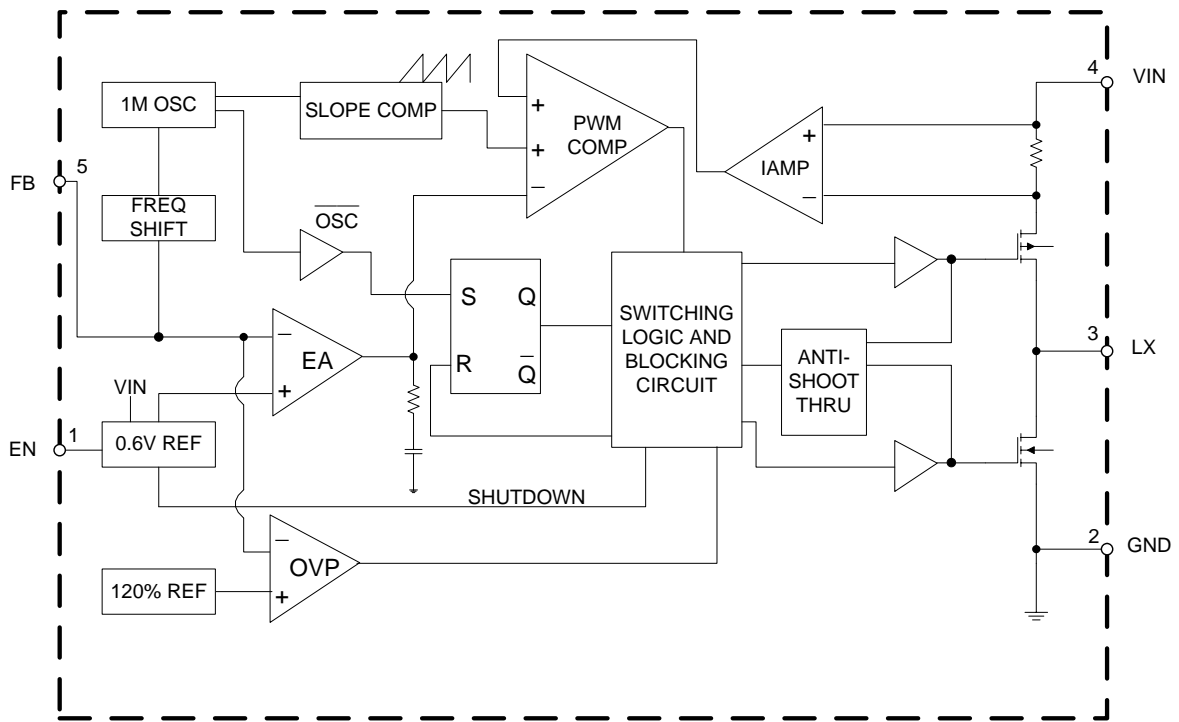
Pin Descriptions

| Pin Number | Pin Name | Function |
|------------|----------|---|
| 1 | EN | Enable control input. Force this pin voltage above 1.5V enables the chip, and below 0.4V shuts down the device. |
| 2 | GND | Ground pin. |
| 3 | LX | The drains of the internal main and synchronous power MOSFETs. |
| 4 | VIN | Bias supply. Chip main power supply pin. |
| 5 | FB | Feedback voltage to internal error amplifier. The threshold voltage is 0.6V. |

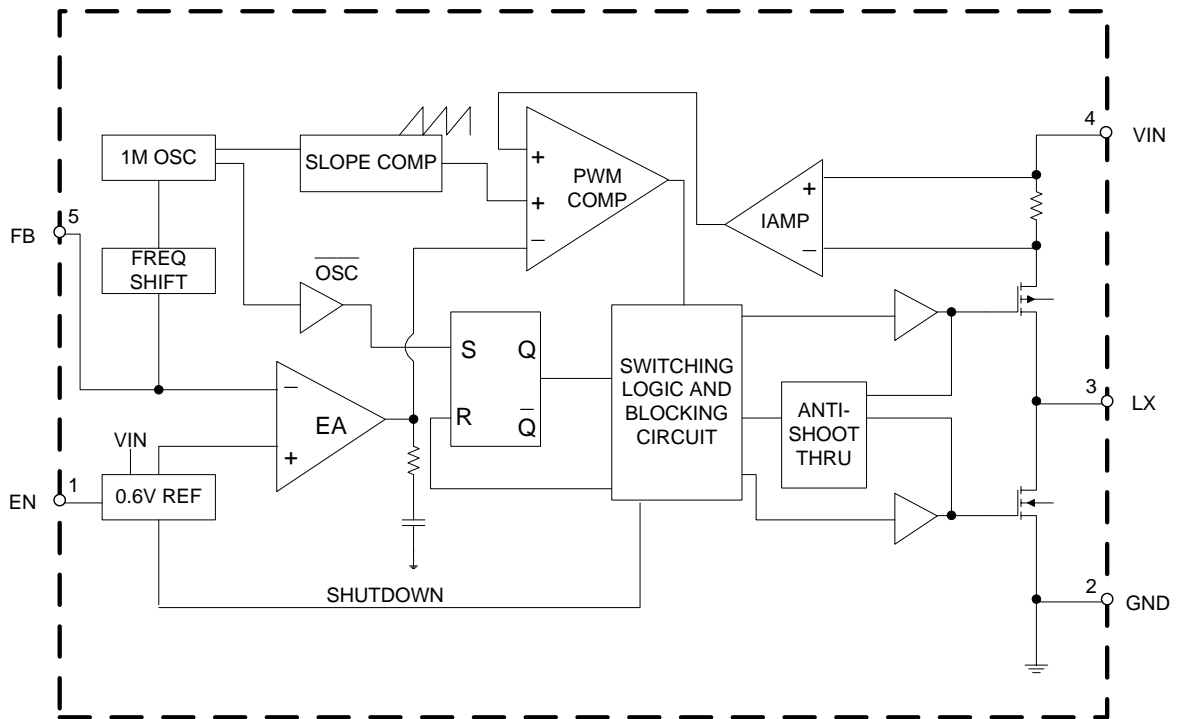
NEW PRODUCT

Functional Block Diagram

NEW PRODUCT



Function Block Diagram of AP3429



Function Block Diagram of AP3429A

Absolute Maximum Ratings (Note 4)

| Symbol | Parameter | Rating | Unit |
|---------------|--|----------------------|--------------------|
| V_{IN} | Input Voltage | -0.3 to 6 | V |
| V_{EN} | EN Pin Voltage | -0.3 to $V_{IN}+0.3$ | V |
| V_{LX} | LX Pin Voltage | -0.3 to $V_{IN}+0.3$ | V |
| V_{FB} | Feedback Pin Voltage | -0.3 to $V_{IN}+0.3$ | V |
| P_D | Power Dissipation (on PCB, $T_A = +25^\circ\text{C}$) | 0.4 | W |
| θ_{JA} | Thermal Resistance (Junction to Ambient) | 220 | $^\circ\text{C/W}$ |
| θ_{JC} | Thermal Resistance (Junction to Case, Simulation) | 130 | $^\circ\text{C/W}$ |
| T_J | Operating Junction Temperature | +150 | $^\circ\text{C}$ |
| T_{STG} | Storage Temperature | -55 to +150 | $^\circ\text{C}$ |
| V_{MM} | ESD (Machine Model) | 200 | V |
| V_{HBM} | ESD (Human Body Model) | 2000 | V |

Note 4: Stresses greater than those listed under "Absolute Maximum Ratings" may cause permanent damage to the device. These are stress ratings only, and functional operation of the device at these or any other conditions beyond those indicated under "Recommended Operating Conditions" is not implied. Exposure to "Absolute Maximum Ratings" for extended periods may affect device reliability.

Recommended Operating Conditions

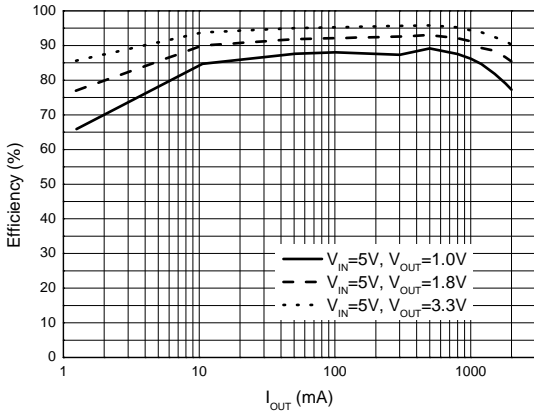
| Symbol | Parameter | Min | Max | Unit |
|----------|-------------------------------|-----|------|------------------|
| V_{IN} | Input Voltage Range | 2.7 | 5.5 | V |
| T_A | Operating Ambient Temperature | -40 | +85 | $^\circ\text{C}$ |
| T_J | Junction Temperature Range | -40 | +125 | $^\circ\text{C}$ |

Electrical Characteristics (@ $V_{IN} = 5V$, $V_{OUT} = 1.8V$, $L = 2.2\mu H$, $C_{IN} = 22\mu F$, $C_{OUT} = 22\mu F \times 2$, $T_A = +25^\circ C$, unless otherwise specified.)

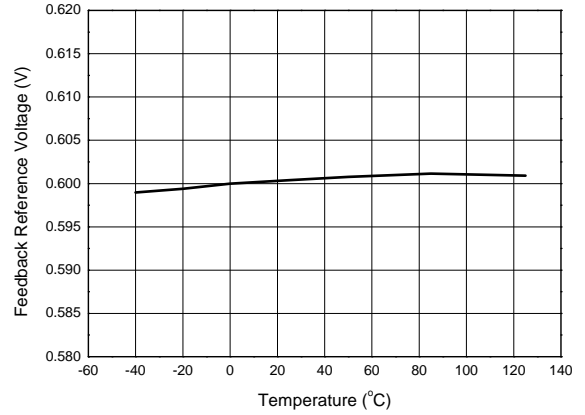
| Symbol | Parameters | Conditions | Min | Typ | Max | Unit |
|--------------|--|------------------------------|-------|------|-------|------------|
| V_{IN} | Input Voltage Range | – | 2.7 | – | 5.5 | V |
| V_{FB} | Regulated Feedback Voltage | – | 0.588 | 0.6 | 0.612 | V |
| I_{FB} | FB Leakage Current | $V_{FB} = 1V$ | – | – | 0.2 | μA |
| I_Q | Quiescent Current | $V_{FB} = 0.65V$ | – | 90 | – | μA |
| I_{SD} | Shutdown Current | $V_{EN} = 0V$ | – | 0.1 | 1 | μA |
| I_{LIM} | Peak Inductor Current | – | 3 | – | – | A |
| V_{SCP} | Short Circuit Protection Latch Off Threshold | – | – | 0.3 | – | V |
| f_{OSC} | Oscillator Frequency | – | – | 1 | – | MHz |
| $R_{DS(ON)}$ | Drain to Source On-state Resistance | $I_{LX} = 100mA$, high side | – | 110 | – | m Ω |
| | | $I_{LX} = 100mA$, low side | – | 80 | – | |
| V_{ENH} | EN High Threshold | – | 1.5 | – | – | V |
| V_{ENL} | EN Low Threshold | – | – | – | 0.4 | V |
| I_{EN} | EN Leakage Current | $V_{IN} = V_{EN} = 5V$ | -1.0 | – | 1.0 | μA |
| V_{UVLO} | Input UVLO Threshold | – | – | 2.4 | 2.7 | V |
| V_{HYS} | UVLO Hysteresis | – | – | 0.2 | – | V |
| – | Maximum Duty Cycle | – | 100 | – | – | % |
| R_{DSCH} | Output Discharge Switch On Resistance | – | – | 50 | – | Ω |
| T_{OTP} | Over Temperature Protection | – | – | +160 | – | $^\circ C$ |
| T_{OTH} | OTP Hysteresis | – | – | +30 | – | $^\circ C$ |
| V_{IOVP} | V_{IN} Over Voltage Protection | – | – | 6.25 | – | V |
| V_{IHSY} | IOVP Hysteresis | – | – | 0.25 | – | V |
| t_{SS} | Soft-start Time | – | – | 1.8 | – | ms |

Performance Characteristics (@ $T_A = +25^\circ\text{C}$, $V_{IN} = 5\text{V}$, $V_{OUT} = 1.8\text{V}$, unless otherwise specified.)

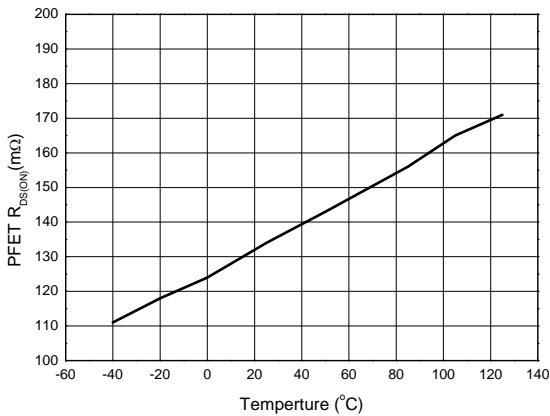
Efficiency vs. Load Current



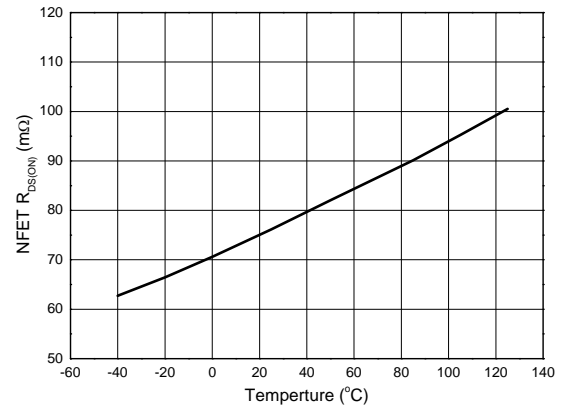
Feedback Reference Voltage vs. Temperature



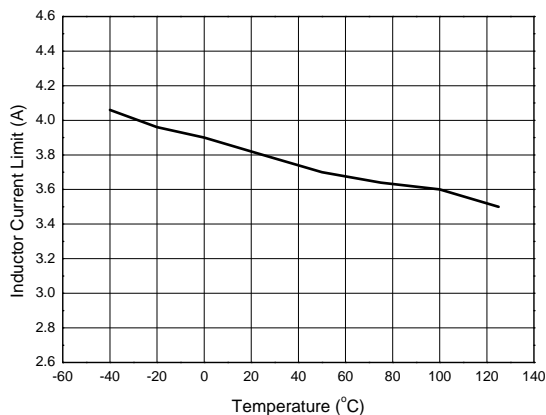
PFET Drain-Source On-State Resistance vs. Temperature



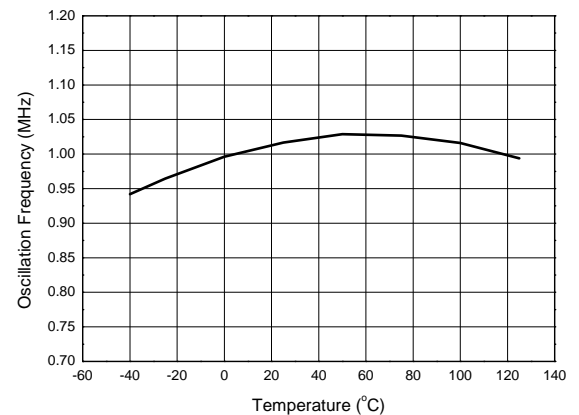
NFET Drain-Source On-State Resistance vs. Temperature



Inductor Current Limit vs. Temperature



Oscillation Frequency vs. Temperature

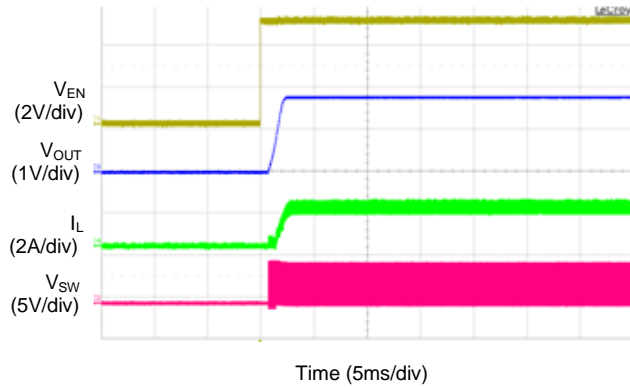


NEW PRODUCT

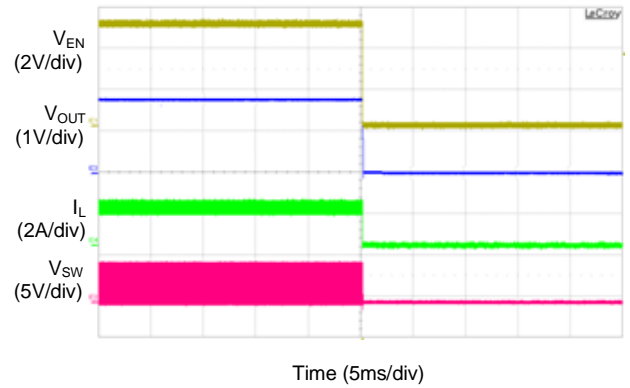
Performance Characteristics (Cont. @ $T_A = +25^\circ\text{C}$, $V_{IN} = 5\text{V}$, $V_{OUT} = 1.8\text{V}$, unless otherwise specified.)

NEW PRODUCT

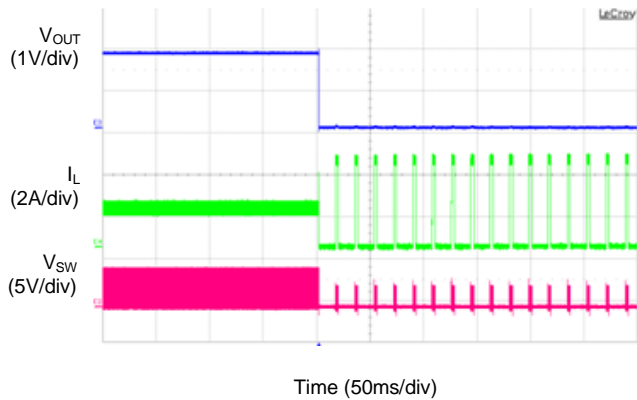
Enable Turn on Characteristic ($I_{OUT}=2\text{A}$)



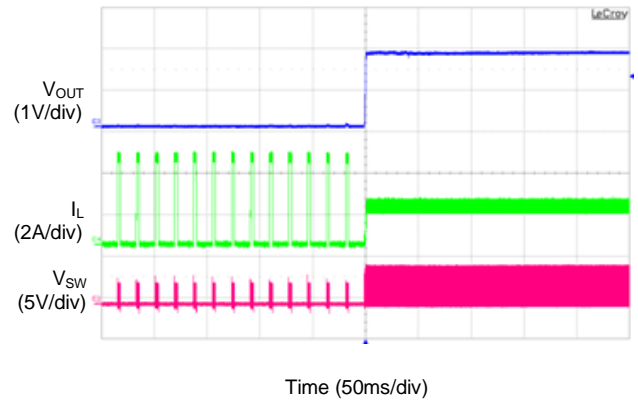
Enable Turn off Characteristic ($I_{OUT}=2\text{A}$)



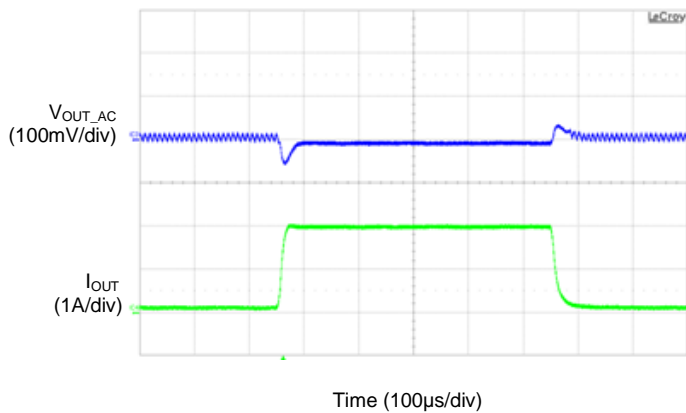
Short Current Protection ($I_{OUT}=2\text{A}$)



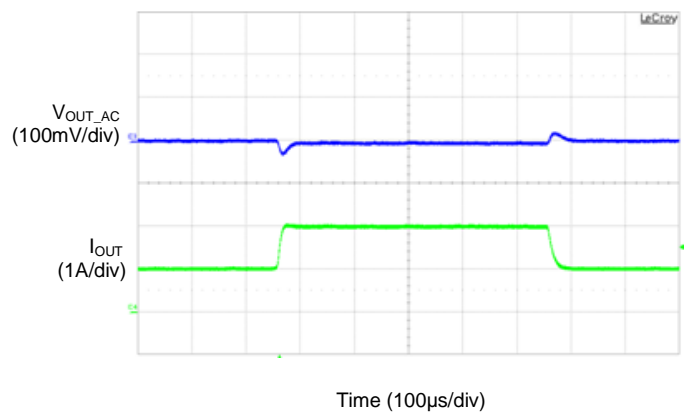
SCP Recovery ($I_{OUT}=2\text{A}$)



Load Transient ($I_{OUT}=0.1\text{A}$ to 2A)



Load Transient ($I_{OUT}=1\text{A}$ to 2A)



Application Information

Typical application circuit is shown in the application circuit and for the circuit parameters setting please refers to the following descriptions.

Under Voltage Lockout (UVLO) Circuit

The AP3429/A provides an under voltage lockout circuit to prevent it from undefined status. When the V_{IN} drops lower than the UVLO detector threshold, the UVLO circuit starts to operate, V_{REF} stops, and high-side and low-side built-in switch transistors turn "OFF". As a result, V_{OUT} drops according to the COU_T capacitance value and the load. When the V_{IN} is rising higher than UVLO released voltage, the IC will restart the operation.

Over Current Protection

The AP3429/A has internal over current protection function to protect from catastrophic failures. The IC can monitor the PMOS current, if the peak current is higher than the current limit threshold, OCP function will be triggered and enter cycle by cycle current limit mode. If V_{FB} drops under 0.3V for example, output node shorted to GND, AP3429 will enter latch off mode. IC will turn off both power switches. It will remain latch off state until the V_{IN} or Enable recycled to release it. AP3429A will enter hiccup mode to protect itself, if short circuit is removed, and V_{FB} rises over 0.3V, the AP3429A recovers to normal operation again.

Over Voltage Protection

The AP3429 has internal output OVP circuits. When V_{OUT} is exceeds 120% of the regulation level for more than 40 μ s, the power switching will be turned off. IC enter latch off mode and will restart until V_{IN} or Enable voltage recycled.

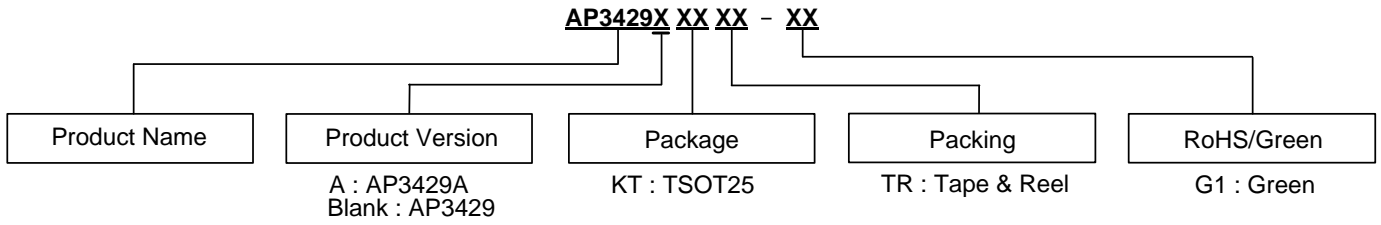
Over Temperature Protection

The internal thermal temperature protection circuitry of AP3429/A is provided to protect the integrated circuit in the event that the maximum junction temperature is exceeded. When the junction temperature exceeds +160°C, it shuts down the internal control circuit and switching power MOSFET. The AP3429/A will restart automatically under the control of soft start circuit when the junction temperature decreases to +130°C.

Input Over Voltage Protection

When input voltage of AP3429/A is near 6.25V, the IC will enter Input-Over-Voltage-Protection. It would be shut down and there will be no output voltage in this state. As the input voltage goes down below 6V, it will leave input OVP and recover the output voltage.

Ordering Information

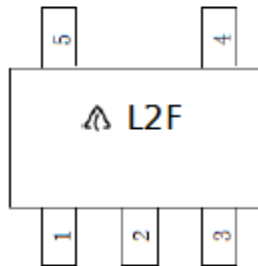


| Package | Temperature Range | Part Number | Marking ID | Packing |
|---------|-------------------|----------------|------------|------------------|
| TSOT25 | -40 to +85°C | AP3429AKTTR-G1 | L2E | 3000/Tape & Reel |
| | | AP3429KTTR-G1 | L2F | 3000/Tape & Reel |

Marking Information

AP3429

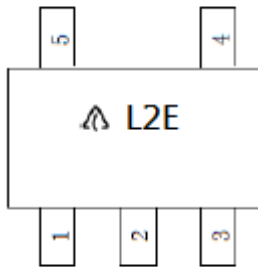
(Top View)



First Line: Logo and Marking ID

AP3429A

(Top View)

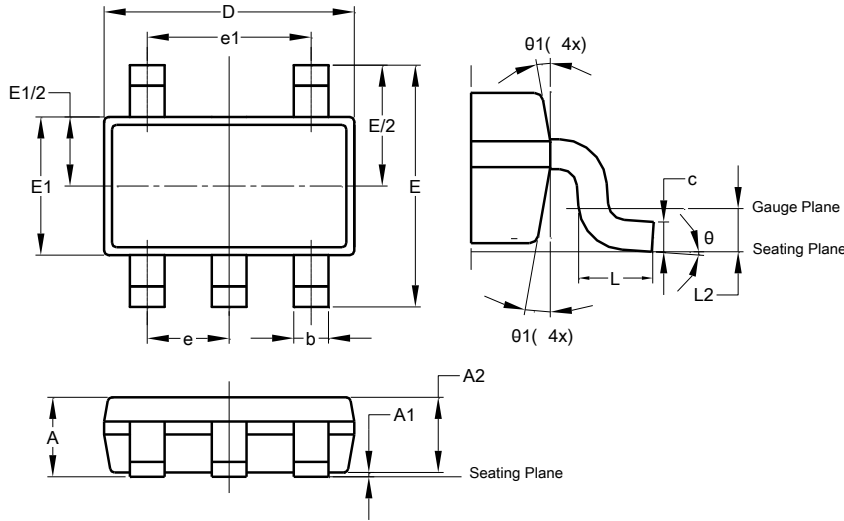


First Line: Logo and Marking ID

Package Outline Dimensions

Please see AP02002 at <http://www.diodes.com/datasheets/ap02002.pdf> for the latest version.

(1) Package Type: TSOT25

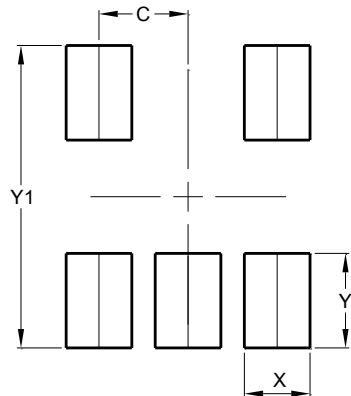


| TSOT25 | | | |
|----------------------|----------|------|------|
| Dim | Min | Max | Typ |
| A | - | 1.00 | - |
| A1 | 0.01 | 0.10 | - |
| A2 | 0.84 | 0.90 | - |
| b | 0.30 | 0.45 | - |
| c | 0.12 | 0.20 | - |
| D | - | - | 2.90 |
| E | - | - | 2.80 |
| E1 | - | - | 1.60 |
| e | 0.95 BSC | | |
| e1 | 1.90 BSC | | |
| L | 0.30 | 0.50 | |
| L2 | 0.25 BSC | | |
| θ | 0° | 8° | 4° |
| θ_1 | 4° | 12° | - |
| All Dimensions in mm | | | |

Suggested Pad Layout

Please see AP02001 at <http://www.diodes.com/datasheets/ap02001.pdf> for the latest version.

(1) Package Type: TSOT25



| Dimensions | Value (in mm) |
|------------|---------------|
| C | 0.950 |
| X | 0.700 |
| Y | 1.000 |
| Y1 | 3.199 |

IMPORTANT NOTICE

DIODES INCORPORATED MAKES NO WARRANTY OF ANY KIND, EXPRESS OR IMPLIED, WITH REGARDS TO THIS DOCUMENT, INCLUDING, BUT NOT LIMITED TO, THE IMPLIED WARRANTIES OF MERCHANTABILITY AND FITNESS FOR A PARTICULAR PURPOSE (AND THEIR EQUIVALENTS UNDER THE LAWS OF ANY JURISDICTION).

Diodes Incorporated and its subsidiaries reserve the right to make modifications, enhancements, improvements, corrections or other changes without further notice to this document and any product described herein. Diodes Incorporated does not assume any liability arising out of the application or use of this document or any product described herein; neither does Diodes Incorporated convey any license under its patent or trademark rights, nor the rights of others. Any Customer or user of this document or products described herein in such applications shall assume all risks of such use and will agree to hold Diodes Incorporated and all the companies whose products are represented on Diodes Incorporated website, harmless against all damages.

Diodes Incorporated does not warrant or accept any liability whatsoever in respect of any products purchased through unauthorized sales channel. Should Customers purchase or use Diodes Incorporated products for any unintended or unauthorized application, Customers shall indemnify and hold Diodes Incorporated and its representatives harmless against all claims, damages, expenses, and attorney fees arising out of, directly or indirectly, any claim of personal injury or death associated with such unintended or unauthorized application.

Products described herein may be covered by one or more United States, international or foreign patents pending. Product names and markings noted herein may also be covered by one or more United States, international or foreign trademarks.

This document is written in English but may be translated into multiple languages for reference. Only the English version of this document is the final and determinative format released by Diodes Incorporated.

LIFE SUPPORT

Diodes Incorporated products are specifically not authorized for use as critical components in life support devices or systems without the express written approval of the Chief Executive Officer of Diodes Incorporated. As used herein:

A. Life support devices or systems are devices or systems which:

1. are intended to implant into the body, or
2. support or sustain life and whose failure to perform when properly used in accordance with instructions for use provided in the labeling can be reasonably expected to result in significant injury to the user.

B. A critical component is any component in a life support device or system whose failure to perform can be reasonably expected to cause the failure of the life support device or to affect its safety or effectiveness.

Customers represent that they have all necessary expertise in the safety and regulatory ramifications of their life support devices or systems, and acknowledge and agree that they are solely responsible for all legal, regulatory and safety-related requirements concerning their products and any use of Diodes Incorporated products in such safety-critical, life support devices or systems, notwithstanding any devices- or systems-related information or support that may be provided by Diodes Incorporated. Further, Customers must fully indemnify Diodes Incorporated and its representatives against any damages arising out of the use of Diodes Incorporated products in such safety-critical, life support devices or systems.

Copyright © 2015, Diodes Incorporated

www.diodes.com

Компания «Океан Электроники» предлагает заключение долгосрочных отношений при поставках импортных электронных компонентов на взаимовыгодных условиях!

Наши преимущества:

- Поставка оригинальных импортных электронных компонентов напрямую с производств Америки, Европы и Азии, а так же с крупнейших складов мира;
- Широкая линейка поставок активных и пассивных импортных электронных компонентов (более 30 млн. наименований);
- Поставка сложных, дефицитных, либо снятых с производства позиций;
- Оперативные сроки поставки под заказ (от 5 рабочих дней);
- Экспресс доставка в любую точку России;
- Помощь Конструкторского Отдела и консультации квалифицированных инженеров;
- Техническая поддержка проекта, помощь в подборе аналогов, поставка прототипов;
- Поставка электронных компонентов под контролем ВП;
- Система менеджмента качества сертифицирована по Международному стандарту ISO 9001;
- При необходимости вся продукция военного и аэрокосмического назначения проходит испытания и сертификацию в лаборатории (по согласованию с заказчиком);
- Поставка специализированных компонентов военного и аэрокосмического уровня качества (Xilinx, Altera, Analog Devices, Intersil, Interpoint, Microsemi, Actel, Aeroflex, Peregrine, VPT, Syfer, Eurofarad, Texas Instruments, MS Kennedy, Miteq, Cobham, E2V, MA-COM, Hittite, Mini-Circuits, General Dynamics и др.);

Компания «Океан Электроники» является официальным дистрибьютором и эксклюзивным представителем в России одного из крупнейших производителей разъемов военного и аэрокосмического назначения «JONHON», а так же официальным дистрибьютором и эксклюзивным представителем в России производителя высокотехнологичных и надежных решений для передачи СВЧ сигналов «FORSTAR».



JONHON

«JONHON» (основан в 1970 г.)

Разъемы специального, военного и аэрокосмического назначения:

(Применяются в военной, авиационной, аэрокосмической, морской, железнодорожной, горно- и нефтедобывающей отраслях промышленности)

«FORSTAR» (основан в 1998 г.)

ВЧ соединители, коаксиальные кабели, кабельные сборки и микроволновые компоненты:

(Применяются в телекоммуникациях гражданского и специального назначения, в средствах связи, РЛС, а так же военной, авиационной и аэрокосмической отраслях промышленности).



Телефон: 8 (812) 309-75-97 (многоканальный)

Факс: 8 (812) 320-03-32

Электронная почта: ocean@oceanchips.ru

Web: <http://oceanchips.ru/>

Адрес: 198099, г. Санкт-Петербург, ул. Калинина, д. 2, корп. 4, лит. А