

- Open frame 100 W power supply with JST connection in 2.0" x 3.0" package
- Certification according to IEC/EN/ES 60601-1 3rd edition for 2 x MOPP
- Low leakage current <75 µA rated for BF applications
- Risk management process according to ISO 14971 incl. risk management file
- Acceptance criteria for electronic assemblies acc. to IPC-A-610 Level 3
- Active power factor correction >0.95
- Protection class I and II prepared
- Operating up to 5000 m altitude
- Ready to meet ErP directive, <0.3 W no load power consumption
- 5-year product warranty



ES 60601-1 IEC 60601-1
UL 60950-1 IEC 60950-1

The TPP 100A-J series of 100 Watt AC/DC open frame power supplies feature a reinforced double I/O isolation system according to latest medical safety standards (60601-1 3rd edition, 2 x MOPP). The earth leakage current is below 75 µA which makes the units suitable for BF (body floating) applications. The excellent efficiency of up to 92% allows a high power density for the standard 2.0" x 3.0" packaging format. The full load operating temperature range is -25°C to +55°C while it goes up to 80°C with 50% load derating. The EMC characteristic is dedicated for applications in industrial and medical fields. High reliability is provided by the use of industrial quality grade components and an excellent thermal management. It makes the products an ideal solution for medical devices and for demanding safety and space critical applications.

Models

| Order Code | Output Power max. | Output Voltage nom. (adjustable) | Output Current max. | Efficiency typ. |
|----------------|-------------------|----------------------------------|---------------------|-----------------|
| TPP 100-112A-J | 100 W | 12 VDC (10.8 - 13.2 VDC) | 8'340 mA | 91 % |
| TPP 100-115A-J | | 15 VDC (13.5 - 16.5 VDC) | 6'670 mA | 92 % |
| TPP 100-124A-J | | 24 VDC (21.6 - 26.4 VDC) | 4'170 mA | 92 % |
| TPP 100-128A-J | | 28 VDC (25.2 - 30.8 VDC) | 3'580 mA | 92 % |
| TPP 100-136A-J | | 36 VDC (32.4 - 39.6 VDC) | 2'780 mA | 91 % |
| TPP 100-148A-J | | 48 VDC (43.2 - 52.8 VDC) | 2'090 mA | 91 % |

Input Specifications

| | | |
|----------------------|-----------------------------|--|
| Input Voltage | - AC Range | 85 - 264 VAC (Full Range) |
| | - DC Range | 120 - 370 VDC (Designed for, no certification) |
| Input Frequency | | 47 - 63 Hz |
| Input Current | - Full Load & Vin = 230 VAC | 550 mA max. |
| | - Full Load & Vin = 115 VAC | 1'150 mA max. |
| Power Consumption | - at no Load | 300 mW max. (Ready to meet ErP directive) |
| Input Inrush Current | - at 230 VAC | 60 A max. |
| Power Factor | - at 230 VAC | 0.95 min. (Active Power Factor Correction) |
| | - at 115 VAC | 0.95 min. (Active Power Factor Correction) |
| Input Protection | | T 3.15 A / 250 VAC (Internal Fuse in L & N) |

Output Specifications

| | | |
|--|---------------------------------|---|
| Output Voltage Adjustment | | ±10% (By trim potentiometer) Output power must not exceed rated power! |
| Voltage Set Accuracy | | ±1% max. |
| Regulation | - Input Variation (Vmin - Vmax) | 0.2% max. |
| | - Load Variation (0 - 100%) | 0.5% max. |
| Ripple and Noise (20 MHz Bandwidth) | 12 VDC model: | 120 mVp-p typ. (with 10 µF X7R) |
| | 15 VDC model: | 150 mVp-p typ. (with 10 µF X7R) |
| | 24 VDC model: | 160 mVp-p typ. (with 1 µF X7R) |
| | 28 VDC model: | 180 mVp-p typ. (with 1 µF X7R) |
| | 36 VDC model: | 190 mVp-p typ. (with 1 µF X7R) |
| | 48 VDC model: | 340 mVp-p typ. (with 0.1 µF X7R) |
| Capacitive Load | 12 VDC model: | 6'950 µF max. |
| | 15 VDC model: | 4'450 µF max. |
| | 24 VDC model: | 1'750 µF max. |
| | 28 VDC model: | 1'280 µF max. |
| | 36 VDC model: | 770 µF max. |
| | 48 VDC model: | 430 µF max. |
| Minimum Load | | Not required |
| Temperature Coefficient | | ±0.02 %/K max. |
| Hold-up Time | - at 230 VAC | 16 ms min. |
| | - at 115 VAC | 16 ms min. |
| Start-up Time | - at 230 VAC | 1'000 ms max. |
| | - at 115 VAC | 1'000 ms max. |
| Short Circuit Protection | | Continuous, Automatic recovery |
| Output Current Limitation | | 115 - 150% of Iout max. |
| Overvoltage Protection | | 115 - 135% of Vout nom. |
| Transient Response | - Response Deviation | 3% max. (50% to 75% Load Step) |
| | - Response Time | 500 µs typ. (50% to 75% Load Step) |

Safety Specifications

| | | |
|-----------------------|-----------------------------|--|
| Safety Standards | - IT / Multimedia Equipment | IEC 60950-1 EN 60950-1 UL 60950-1 |
| | - Medical Equipment | EN 60601-1 IEC 60601-1 ANSI/AAMI ES 60601-1 |
| | - Certification Documents | 2 x MOPP (Means Of Patient Protection) www.tracopower.com/overview/tpp100a-j |
| Protection Class | | Class I Prepared: Connection to PE Class II Prepared: Reinforced Insulation |
| Pollution Degree | | PD 2 |
| Over Voltage Category | | OVC II |

All specifications valid at nominal input voltage, full load and +25°C after warm-up time unless otherwise stated.

EMC Specifications

| | | |
|----------------------------------|--|---|
| EMC Emissions | | EN 60601-1-2 edition 4 (Medical Devices) EN 55011 class B (internal filter) EN 55032 class B (internal filter) FCC Part 15, class B FCC Part 18, class B |
| - Conducted Emissions | | |
| - Radiated Emissions | | EN 55011 class A (internal filter) EN 55032 class A (internal filter) FCC Part 15, class A FCC Part 18, class A |
| - Harmonic Current Emissions | | EN 61000-3-2, class A EN 61000-3-2, class D |
| - Voltage Fluctuations & Flicker | | EN 61000-3-3 |
| EMC Immunity | | EN 55024 (IT Equipment) EN 60601-1-2 edition 4 (Medical Devices) |
| - Electrostatic Discharge | | Air: EN 61000-4-2, ± 15 kV, perf. criteria A Contact: EN 61000-4-2, ± 8 kV, perf. criteria A EN 61000-4-3, 20 V/m, perf. criteria A EN 61000-4-4, ± 2 kV, perf. criteria A |
| - RF Electromagnetic Field | | L to L: EN 61000-4-5, ± 1 kV, perf. criteria A |
| - EFT (Burst) | | L to PE: EN 61000-4-5, ± 2 kV, perf. criteria A |
| - Surge | | EN 61000-4-6, 20 Vrms, perf. criteria A EN 61000-4-8, 10 A/m, perf. criteria A |
| - Conducted RF Disturbances | | EN 61000-4-11 |
| - PF Magnetic Field | | 230 VAC / 50 Hz: 30%, 25 periods, perf. criteria A >95%, 0.5 periods, perf. criteria A >95%, 1 period, perf. criteria A >95%, 250 periods, perf. criteria B |
| - Voltage Dips & Interruptions | | 115 VAC / 60 Hz: EN 61000-4-11 30%, 25 periods, perf. criteria A >95%, 0.5 periods, perf. criteria A >95%, 1 period, perf. criteria A >95%, 250 periods, perf. criteria B |

General Specifications

| | | |
|----------------------------------|------------------------------|--|
| Relative Humidity | | 95% max. (non condensing) |
| Temperature Ranges | - Operating Temperature | -25°C to +85°C |
| | - Storage Temperature | -40°C to +85°C |
| Power Derating | - High Temperature | 2 %/K above 55°C |
| | - Low Input Voltage | 1.33 %/V below 100 VAC |
| Cooling System | | Natural convection (20 LFM) |
| Altitude During Operation | | 5'000 m max. |
| Switching Frequency | | 45 - 75 kHz (PWM QR) |
| Insulation System | | Reinforced Insulation |
| Working Voltage (rated) | | 250 VAC |
| Isolation Test Voltage | - Input to Output, 60 s | 5'657 VDC |
| | - Input to Case or PE, 60 s | 2'121 VDC |
| | - Output to Case or PE, 60 s | 2'121 VDC |
| Isolation Resistance | - Input to Output, 500 VDC | 100 MOhm min. |
| Leakage Current (264 VAC) | - Touch Current | 75 μ A max. |
| Reliability | - Calculated MTBF | 790'000 h (MIL-HDBK-217F, ground benign) |
| Environment | - Vibration | IEC 60068-2-6 |
| | - Mechanical Shock | IEC 60068-2-27 |
| Connection Type | | JST |
| Weight | | 156 g |

All specifications valid at nominal input voltage, full load and +25°C after warm-up time unless otherwise stated.

Environmental Compliance - Reach
- RoHS

www.tracopower.com/info/reach-declaration.pdf
www.tracopower.com/info/rohs-declaration.pdf

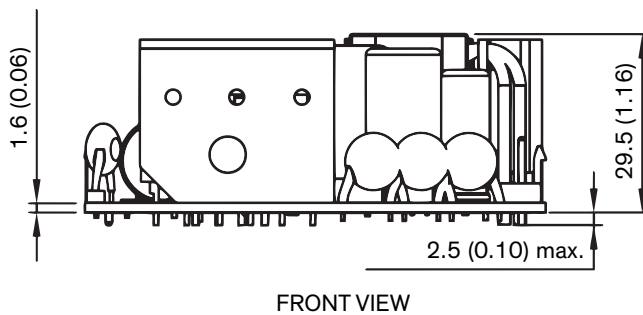
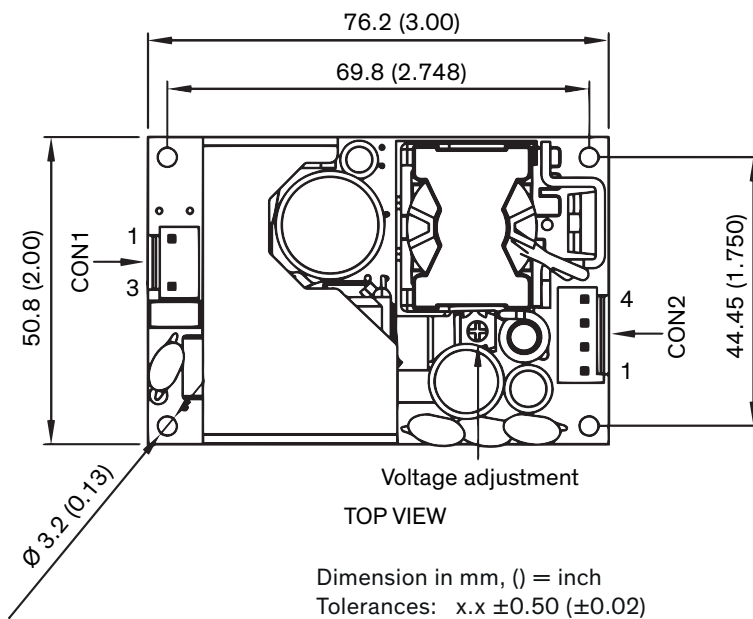
Supporting Documents

[Overview Link](#) (for additional Documents)

www.tracopower.com/overview/tp100a-j

Outline Dimensions

Each one of the 4 screw holes can be used as a PE connection for CLASS I application.



Pin connectors

| Input (CON1) | | Output (CON2) | |
|--------------|----------|---------------|----------|
| Pin | Function | Pin* | Function |
| 1 | Line | 1,2 | -Vout |
| 3 | Neutral | 3,4 | +Vout |

*Terminal rated for 7 A max.
(at higher current connection has to be split)

CON1: JST series
mates with JST crimp terminal: SVH-21T-P1.1
and terminal housing: VHR-3N

CON2: JST series
mates with JST crimp terminal: SVH-21T-P1.1
and terminal housing: VHR-4N

Компания «Океан Электроники» предлагает заключение долгосрочных отношений при поставках импортных электронных компонентов на взаимовыгодных условиях!

Наши преимущества:

- Поставка оригинальных импортных электронных компонентов напрямую с производств Америки, Европы и Азии, а так же с крупнейших складов мира;
- Широкая линейка поставок активных и пассивных импортных электронных компонентов (более 30 млн. наименований);
- Поставка сложных, дефицитных, либо снятых с производства позиций;
- Оперативные сроки поставки под заказ (от 5 рабочих дней);
- Экспресс доставка в любую точку России;
- Помощь Конструкторского Отдела и консультации квалифицированных инженеров;
- Техническая поддержка проекта, помощь в подборе аналогов, поставка прототипов;
- Поставка электронных компонентов под контролем ВП;
- Система менеджмента качества сертифицирована по Международному стандарту ISO 9001;
- При необходимости вся продукция военного и аэрокосмического назначения проходит испытания и сертификацию в лаборатории (по согласованию с заказчиком);
- Поставка специализированных компонентов военного и аэрокосмического уровня качества (Xilinx, Altera, Analog Devices, Intersil, Interpoint, Microsemi, Actel, Aeroflex, Peregrine, VPT, Syfer, Eurofarad, Texas Instruments, MS Kennedy, Miteq, Cobham, E2V, MA-COM, Hittite, Mini-Circuits, General Dynamics и др.);

Компания «Океан Электроники» является официальным дистрибьютором и эксклюзивным представителем в России одного из крупнейших производителей разъемов военного и аэрокосмического назначения «JONHON», а так же официальным дистрибьютором и эксклюзивным представителем в России производителя высокотехнологичных и надежных решений для передачи СВЧ сигналов «FORSTAR».



JONHON

«JONHON» (основан в 1970 г.)

Разъемы специального, военного и аэрокосмического назначения:

(Применяются в военной, авиационной, аэрокосмической, морской, железнодорожной, горно- и нефтедобывающей отраслях промышленности)

«FORSTAR» (основан в 1998 г.)

ВЧ соединители, коаксиальные кабели, кабельные сборки и микроволновые компоненты:

(Применяются в телекоммуникациях гражданского и специального назначения, в средствах связи, РЛС, а так же военной, авиационной и аэрокосмической отраслях промышленности).



Телефон: 8 (812) 309-75-97 (многоканальный)

Факс: 8 (812) 320-03-32

Электронная почта: ocean@oceanchips.ru

Web: <http://oceanchips.ru/>

Адрес: 198099, г. Санкт-Петербург, ул. Калинина, д. 2, корп. 4, лит. А