

# RAA23022x RAA23023x

16V Input, 3A, Dual Step-Down DC/DC Converter  
+ Battery Backup

R18DS0017EJ0100  
REV.1.00  
Apr.21.2015

## Description

The RAA23022x and RAA23023x are dual step-down DC/DC converter, 4.5V to 16V input voltage range and 3A output current. Auto PFM mode makes devices low power operation at light load, so it makes a system lower power.

The RAA23022x is suitable for battery backup system using lithium primary cell with built-in battery backup circuit.

## Features

- DC/DC
 

Input voltage range	4.5V to 16V
Shutdown current	1uA (typ.)
Auto PFM mode	
Maximum output current	3A
Synchronous rectification type step-down DC/DC	
Integrated power MOSFETs	
Switching frequency	1.1MHz (fixed)
Output voltage range	0.8V to 6V
Internal phase compensator	
Soft start	2ms (fixed)
Discharge circuit	
Power Good	
Battery backup circuit (RAA23022x)	
- Protection circuit
 

Short circuit protection (latch type)	
Thermal shutdown circuit	165°C (typ.)
Under voltage lockout circuit (recovery type)	
- Package
 

20-pin HTSSOP	
---------------	--

## Application

Communication (Router, Home Gate Way, Radio, etc.)  
 Industrial (Surveillance camera, Various controller, etc.)  
 Building (Security device, Emergency device, Various controller, etc.)  
 OA (Printer, Plane paper copier, etc.)  
 Smart meter  
 Smart home appliances  
 And, usable various application

Note: The information contained in this document is being issued in advance of the production cycle for the product. The parameters for the product may change before final production, or Renesas Electronics Corporation, at its own discretion, may withdraw the product prior to its production.

A quality grade of these ICs is "Standard". Recommended applications are indicated below.  
 Computers, office equipment, communications equipment, test and measurement equipment,  
 audio and visual equipment, home electronic appliances, machine tools, personal electronic equipment,  
 and industrial robots, etc.

## Product Lineup Table

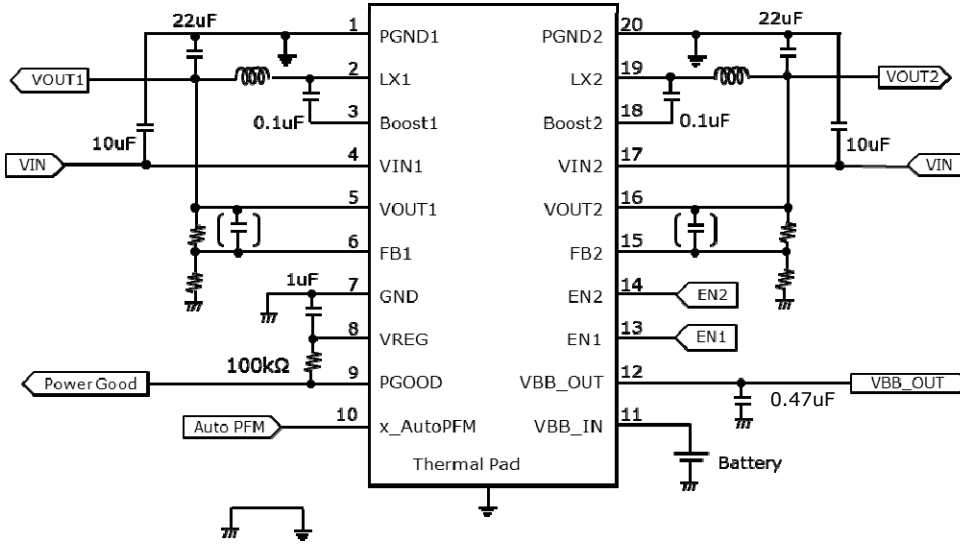
Part number	Output	Type	VIN range	VOUT	IOUT (max.)	Switching frequency
RAA230221	2	Step-down + BB <sup>*1</sup>	4.5 to 16V	CH1 3.3V (fixed) CH2 0.8V to 6.0V <sup>*2</sup>	3A	1.1MHz
RAA230222	2	Step-down + BB <sup>*1</sup>	4.5 to 16V	CH1 3.3V (fixed) CH2 5.0V (fixed)	3A	1.1MHz
RAA230223	2	Step-down + BB <sup>*1</sup>	4.5 to 16V	CH1 and CH2 0.8V to 6.0V <sup>*2</sup>	3A	1.1MHz
RAA230231	2	Step-down	4.5 to 16V	CH1 3.3V (fixed) CH2 0.8V to 6.0V <sup>*2</sup>	3A	1.1MHz
RAA230232	2	Step-down	4.5 to 16V	CH1 3.3V (fixed) CH2 5.0V (fixed)	3A	1.1MHz
RAA230233	2	Step-down	4.5 to 16V	CH1 and CH2 0.8V to 6.0V <sup>*2</sup>	3A	1.1MHz

Note \*1 BB : Battery Backup

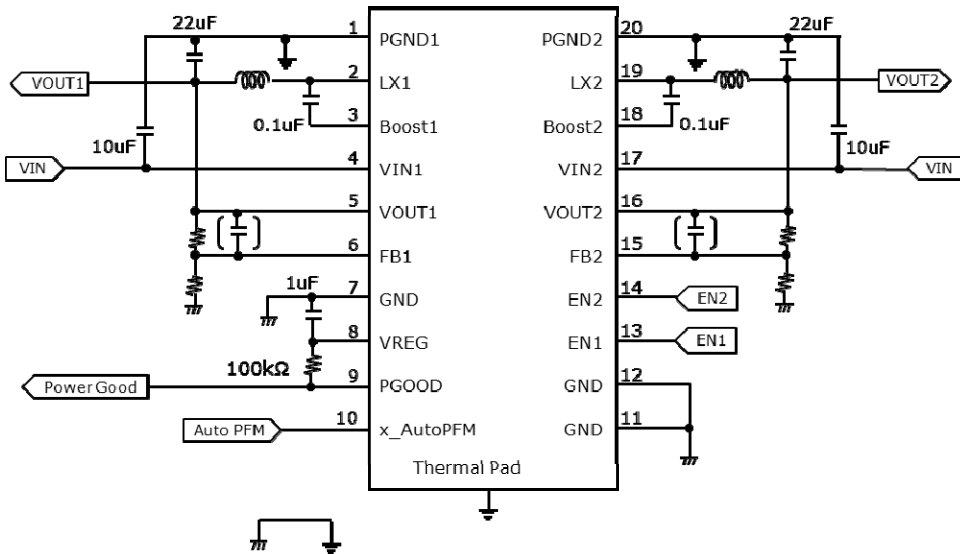
\*2 Adjustable by external resistors

### Circuit example

#### RAA23022x (2CH DCDC + Battery Backup, VOUT set by external resistors)

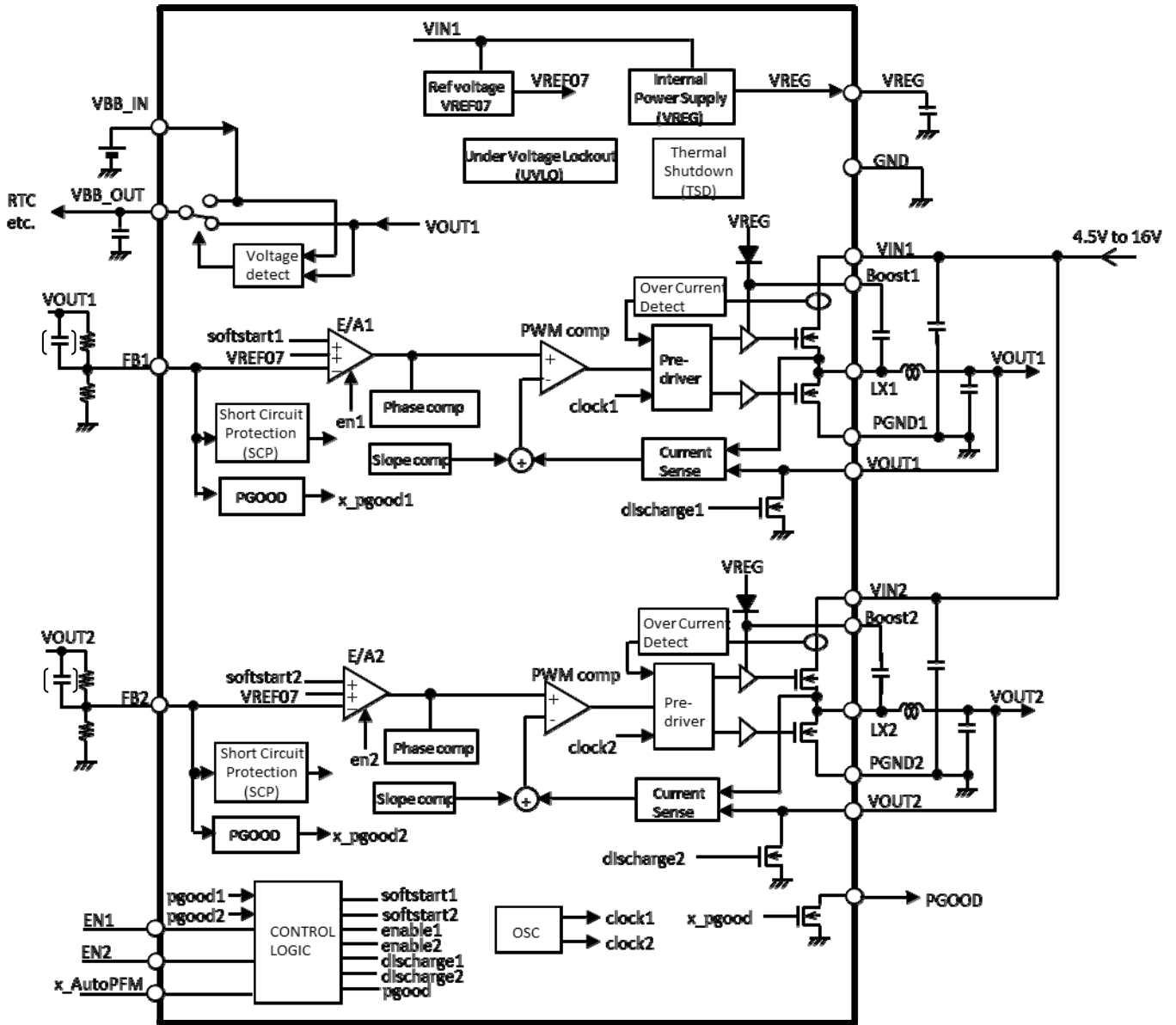


#### RAA23023x (2CH DCDC, VOUT set by external resistors)

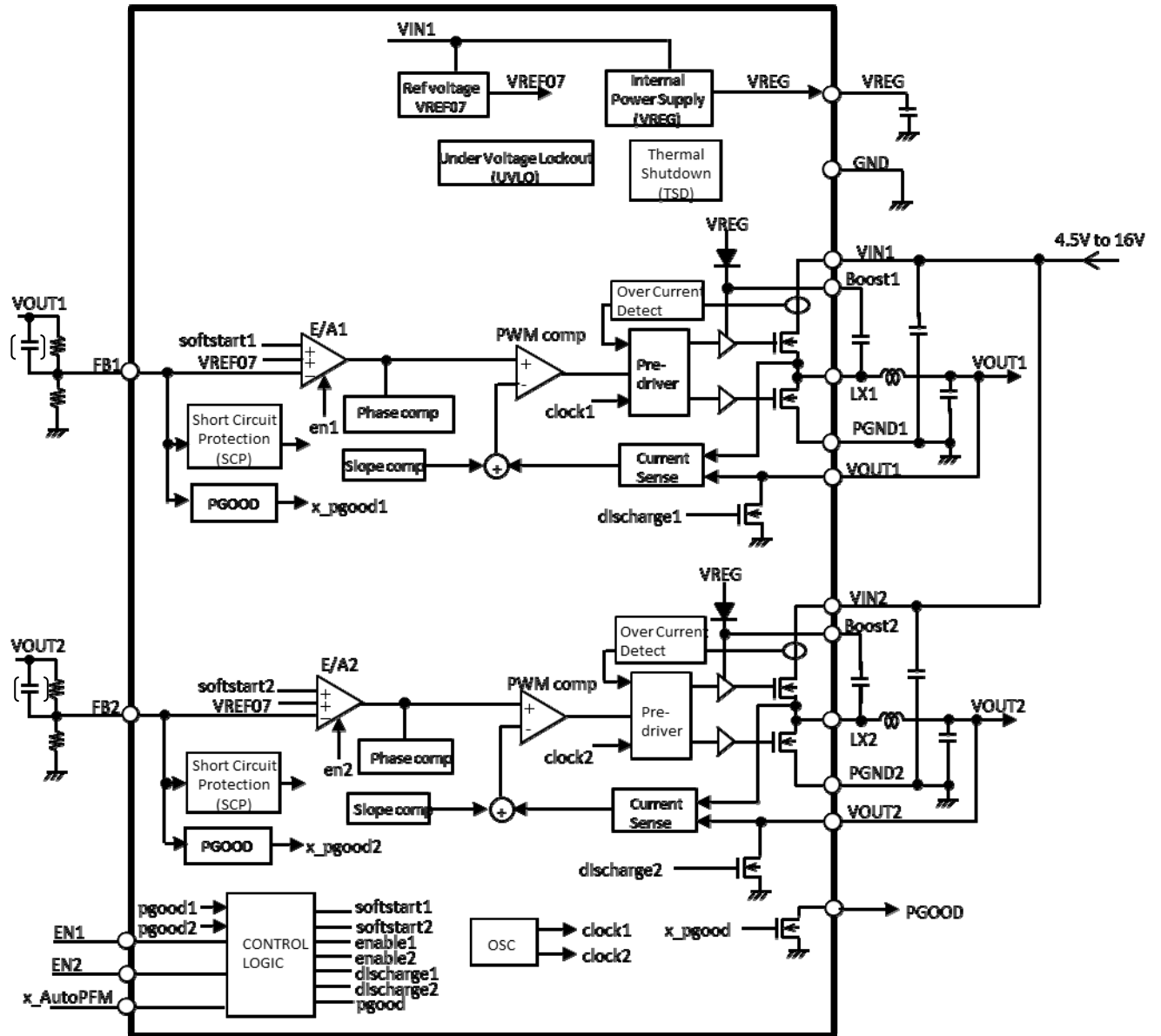


### Block Diagram

RAA23022x (2CH DCDC + Battery backup, VOUT set by external resistors)



RAA23023x (2CH DCDC, VOUT set by external resistors)



## Pin Function

### RAA23022x (2CH DCDC + Battery backup)

Pin No.	Symbol	I/O	Function
1	PGND1	I/O	CH1 Power Ground
2	LX1	O	CH1 Inductor connection
3	Boost1	I	CH1 Boot strap input (Connect 0.1uF capacitor between LX1 and Boost1)
4	VIN1	I	CH1 Power supply
5	VOUT1	I	CH1 VOUT feedback
6	FB1	I	CH1 Feedback resistor connection
7	GND	I/O	Analog Ground
8	VREG	O	Internal power supply output (Connect 1uF capacitor between VREG and AGND)
9	PGOOD	O	Power good output (open drain) CH1 and CH2 stop :L CH1 or CH2 operation : HiZ
10	x_AutoPFM	I	Auto PFM mode ON/OFF x_AutoPFM="L" : Auto PFM mode (change automatically) PFM mode at light load PWM mode at heavy load x_AutoPFM="H" : PWM mode (fixed)
11	VBB_IN	I	Battery connection
12	VBB_OUT	O	Backup voltage output
13	EN1	I	CH1 enable EN1="L" : CH1 Stop EN1="H" : CH1 Operation
14	EN2	I	CH2 enable EN2="L" : CH2 Stop EN2="H" : CH2 Operation
15	FB2	I	CH2 Feedback resistor connection
16	VOUT2	I	CH2 VOUT feedback
17	VIN2	I	CH2 Power supply
18	Boost2	I	CH2 Boot strap input (Connect 0.1uF capacitor between LX2 and Boost2)
19	LX2	O	CH2 Inductor connection
20	PGND2	I/O	CH2 Power Ground

**RAA23023x (2CH DCDC)**

Pin No.	Symbol	I/O	Function
1	PGND1	I/O	CH1 Power Ground
2	LX1	O	CH1 Inductor connection
3	Boost1	I	CH1 Boot strap input (Connect 0.1uF capacitor between LX1 and Boost1)
4	VIN1	I	CH1 Power supply
5	VOUT1	I	CH1 VOUT feedback
6	FB1	I	CH1 Feedback resistor connection
7	GND	I/O	Analog Ground
8	VREG	O	Internal power supply output (Connect 1uF capacitor between VREG and AGND)
9	PGOOD	O	Power good output (open drain) CH1 and CH2 stop :L CH1 or CH2 operation : HiZ
10	x_AutoPFM	I	Auto PFM mode ON/OFF x_AutoPFM="L" : Auto PFM mode (change automatically) PFM mode at light load PWM mode at heavy load x_AutoPFM="H" : PWM mode (fixed)
11	GND	I/O	Analog Ground
12	GND	I/O	Analog Ground
13	EN1	I	CH1 enable EN1="L" : CH1 Stop EN1="H" : CH1 Operation
14	EN2	I	CH2 enable EN2="L" : CH2 Stop EN2="H" : CH2 Operation
15	FB2	I	CH2 Feedback resistor connection
16	VOUT2	I	CH2 VOUT feedback
17	VIN2	I	CH2 Power supply
18	Boost2	I	CH2 Boot strap input (Connect 0.1uF capacitor between LX2 and Boost2)
19	LX2	O	CH2 Inductor connection
20	PGND2	I/O	CH2 Power Ground

## Absolute Maximum Ratings

(Unless otherwise specified, TA = 25°C.)

Parameter	Symbol	Ratings	Unit	Condition
VIN applied voltage	VIN	-0.3 to +17.6	V	VIN1, VIN2
EN applied voltage	EN	-0.3 to +17.6	V	EN1, EN2
x_AutoPFM applied voltage	x_AutoPFM	-0.3 to +17.6	V	x_AutoPFM
PGOOD voltage	PGOOD	-0.3 to +6.5	V	PGOOD
FB applied voltage	FB	-0.3 to +6.5	V	FB1, FB2
VOUT applied voltage	VOUT	-0.3 to +6.5	V	VOUT1, VOUT2
VBB_IN applied voltage (RAA23022x)	VBB_IN	-0.3 to +6.5	V	VBB_IN
VIN input current(peak)	IVIN(peak)-	4.2	A	VIN1, VIN2
LX output current(peak)	ILX(peak)+	4.2	A	LX1, LX2
VOUT sink current (DC)	IVOUT(DC)-	100	mA	VOUT1, VOUT2 When discharge circuit operation
GND voltage	GND	-0.3 to +0.3	V	PGND1, PGND2, GND
Total power dissipation	PT	3400 <sup>*1</sup>	mW	TA ≤ +25°C
Operating ambient temperature	TA	-40 to +85	°C	
Operation junction temperature	TJ	-40 to +125	°C	
Storage temperature	Tstg	-55 to +150	°C	

Note: \*1 This is the value at TA < +25°C. At TA > +25°C, the total power dissipation decrease with -34 mW/°C.

Board specification : 4 layers glass epoxy board, 76.2mm x 114.3mm x 1.664mm.

Copper coverage area: 50%, 0.070mm thickness (top and bottom layers)

95%, 0.035mm thickness ( layers 2 and 3)

Connecting exposed pad

Caution: Product quality may suffer if the absolute maximum rating is exceeded even momentarily for any parameter.

That is, the absolute maximum ratings are rated values at which the product is on the verge of suffering physical damage, and therefore the product must be used under conditions that ensure that the absolute maximum ratings are not exceeded.

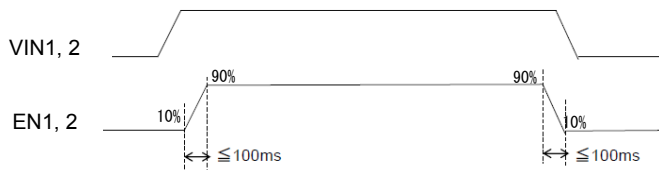


## Recommended Operating Condition

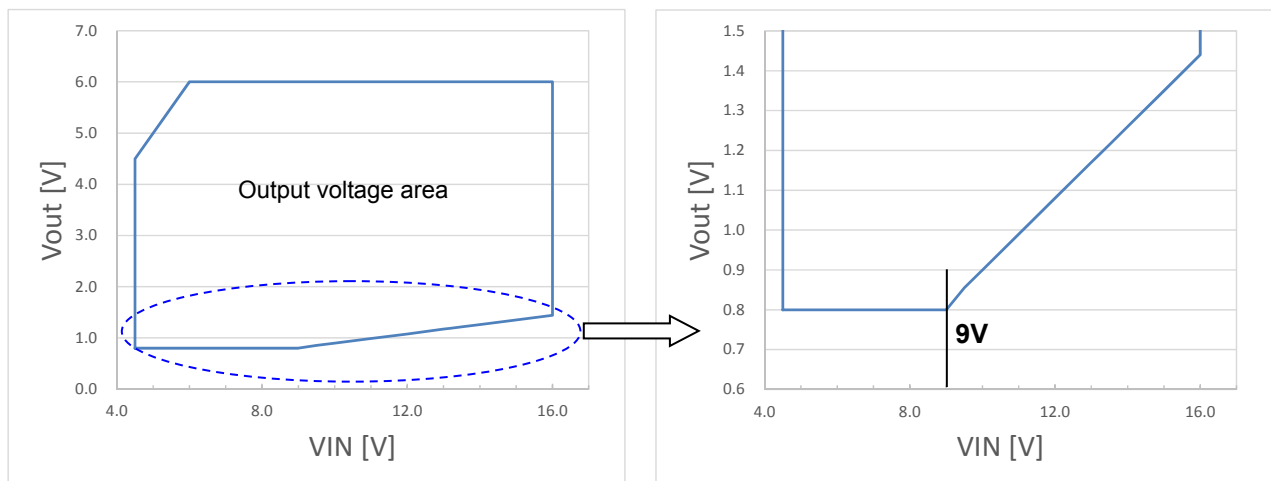
(Unless otherwise specified, TA = 25°C)

Parameter	Symbol	MIN.	TYP.	MAX.	Unit	Condition
VIN applied voltage	VIN	4.5		16.0	V	VIN1, VIN2
EN applied voltage	EN	0		16.0	V	EN1, EN2 *1
x_AutoPFM applied voltage	x_AutoPFM	0		16.0	V	x_AutoPFM
PGOOD voltage	PGOOD	0		6.0	V	PGOOD
FB applied voltage	FB	0		6.0	V	FB1, FB2
VOUT setting range	Vdcdc_ext	*2		6.0	V	At external resistor setting

\*1 About rising time (tr) and falling time (tf) of input signal to EN1 and EN2 pin, when EN1 and EN2 pin are not connected to power supply pin (VIN1, VIN2), set tr and tf less than 100ms.  
When EN1, EN2 pin are connected to VIN1, VIN2 pin, there are no restriction.



\*2 Output voltage (minimum value)



## Electrical Characteristics

(Unless otherwise specified, TA = 25°C, VIN1 = VIN2 = 12V)

Parameter		Symbol	MIN.	TYP.	MAX.	Unit	Condition
Total	Shutdown current	IDD(SHDN)		1	10	uA	EN1 = EN2 = GND
Under voltage lock out circuit (UVLO)	Operating start voltage	Vris(vin)	3.6	3.9	4.2	V	VIN1 and VIN2 rising are detected
	Operating stop voltage	Vdet(vin)	3.4	3.7	4.0	V	VIN1 and VIN2 falling are detected
Internal power supply (VREG)	Internal power supply voltage	VREG	4.7	5.0	5.3	V	Ireg = 0mA, VIN1 = 6V to 16V
Output (PWM mode)	E/A feedback voltage	vref07	0.693	0.700	0.707	V	Include input offset at external resistor setting
	Output voltage accuracy	Vacc	-2.5		+2.5	%	Fixed VOUT products
	High side FET on-resistance	Ronh		180		mΩ	Io=100mA
	Low side FET on-resistance	Ronl		130		mΩ	Io=-100mA
Discharge circuit	On-resistance	Rondc	—	100	200	Ω	CH1, CH2, Io=15mA
Soft start	Soft start time <sup>*1</sup>	tss	1.2	2	3.5	ms	
Thermal shutdown circuit	Detect temperature <sup>*2</sup>			165		°C	
	Hysteresis temperature <sup>*2</sup>			20		°C	
Logic input	High level threshold voltage	VIH	1.3		VIN+0.3	V	EN1, EN2, x_AutoPFM
	Low level threshold voltage	VIL	-0.3		0.4	V	EN1, EN2, x_AutoPFM
	Input current	IEN		1		uA	EN1 = 3.3V, EN2 = 3.3V x_AutoPFM = 3.3V
Battery backup (RAA23022x)	VBB_IN input voltage range	VBB	2.7	3.0	3.7	V	
	On-resistance between VBB_IN and VBB_OUT	Ron_vbat		400		Ω	VBB_OUT = VBB_IN, Io=0.5mA
	On-resistance between VOUT1 and VBB_OUT	Ron_vout1		100		Ω	VBB_OUT = VOUT1, Io=0.5mA
	VBB leak current <sup>*1</sup>	IL_BB		0.5		uA	VBB_OUT = VBB_IN = 3.0V, No load

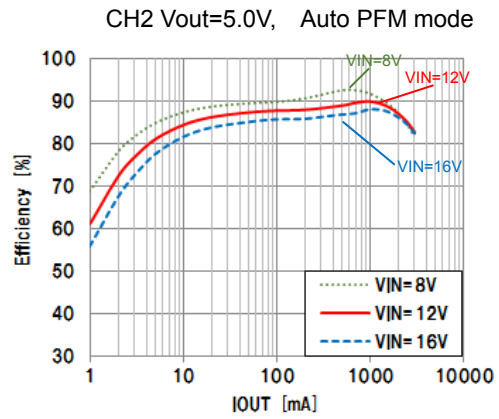
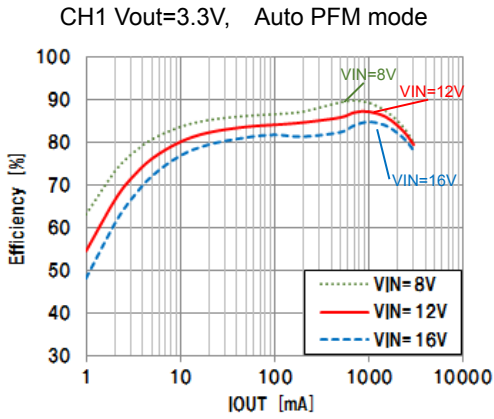
Note: \*1 Reference value

\*2 Not production tested.

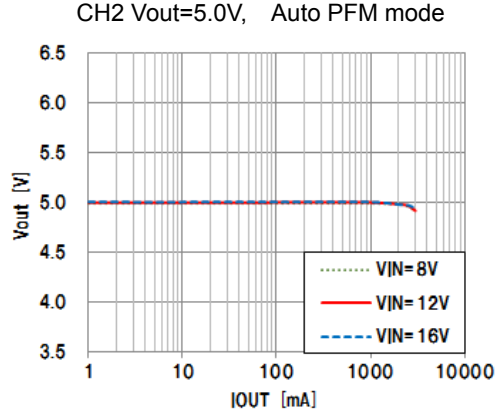
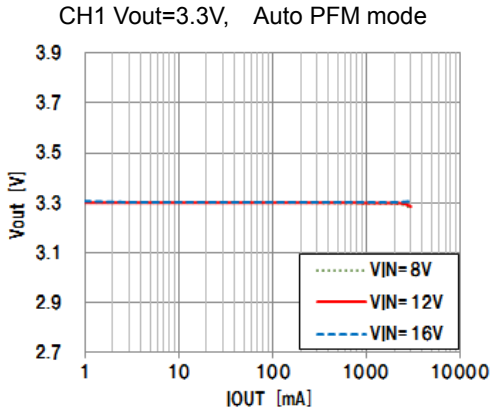
## Typical Performance Characteristics

(Unless otherwise specified,  $T_A = 25^\circ\text{C}$ )

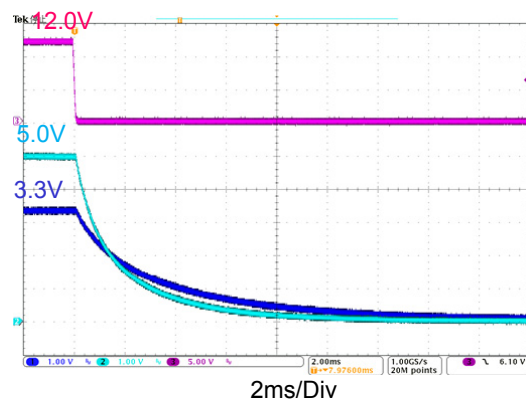
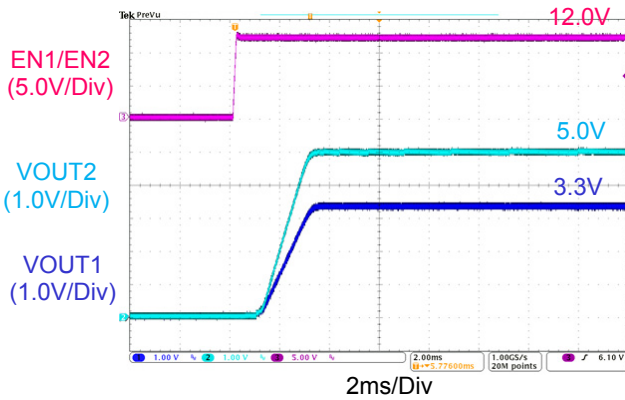
### Efficiency vs. Output Current



### Output voltage vs. Output Current

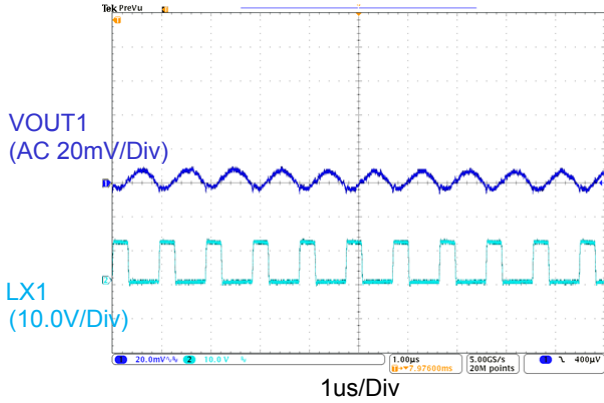


### Start-up and Shutdown Waveforms

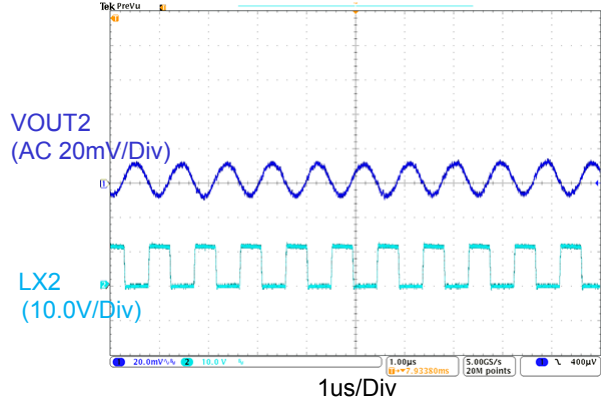


Operation Waveforms

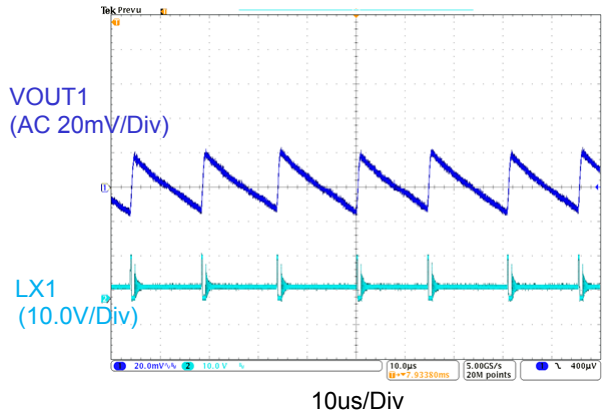
CH1 VIN=12V, Vout=3.3V, Iout=3.0A  
Auto\_PFM mode



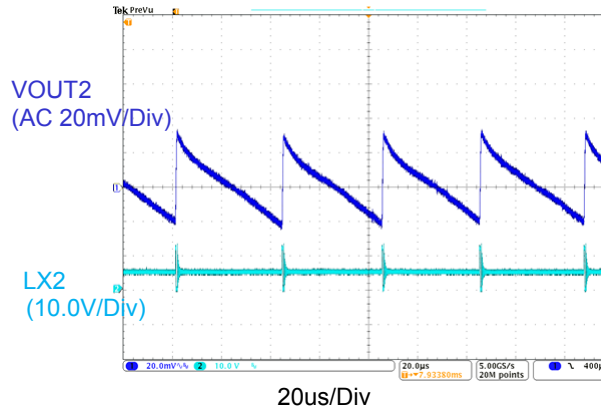
CH2 VIN=12V, Vout=5.0V, Iout=3.0A  
Auto PFM mode



CH1 VIN=12V, Vout=3.3V, Iout=0.01A  
Auto\_PFM mode

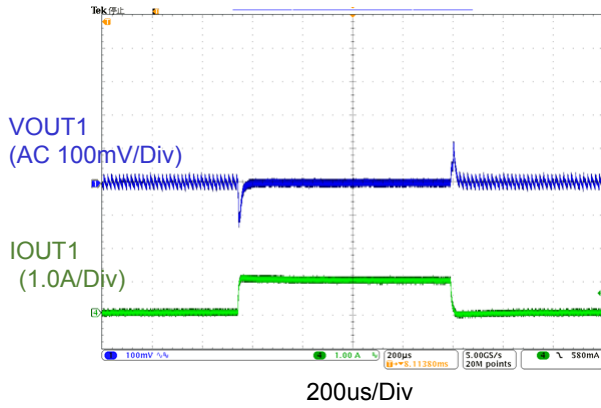


CH2 VIN=12V, Vout=5.0V, Iout=0.01A  
Auto PFM mode

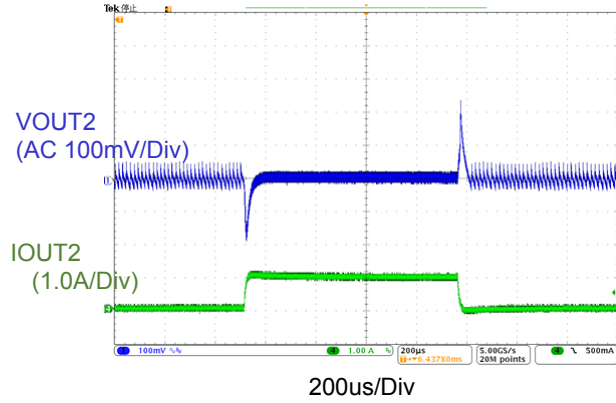


### Load Step Transient Waveforms

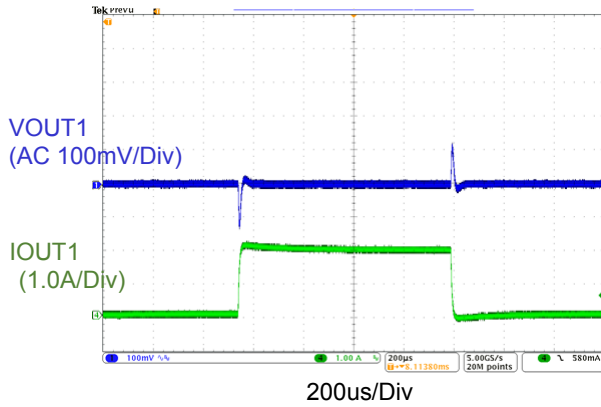
CH1 VIN=12V, Vout=3.3V, Iout=0.01A-1.0A  
Auto\_PFM mode



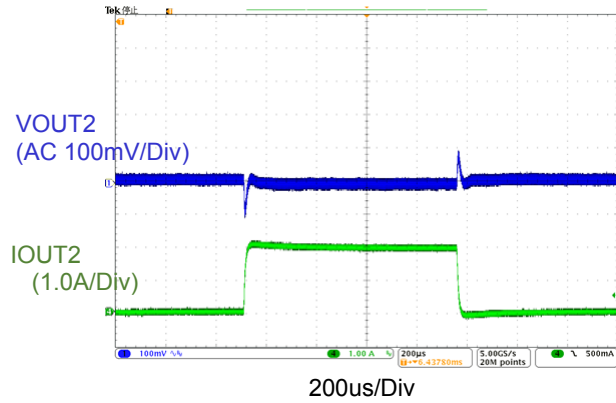
CH2 VIN=12V, Vout=5.0V, Iout=0.01A-1.0A  
Auto PFM mode



CH1 VIN=12V, Vout=3.3V, Iout=0.01A-2.0A  
PWM mode



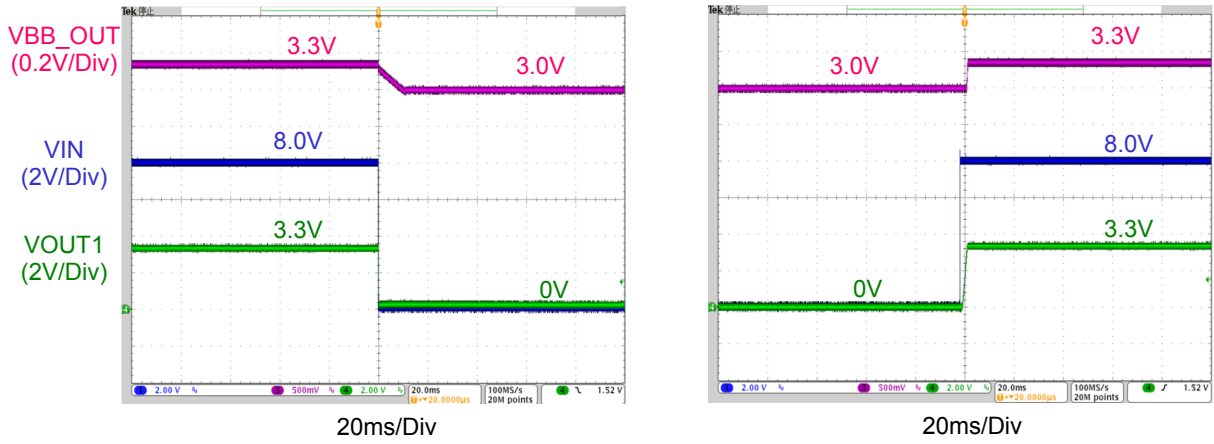
CH2 VIN=12V, Vout=5.0V, Iout=0.01A-2.0A  
PWM mode



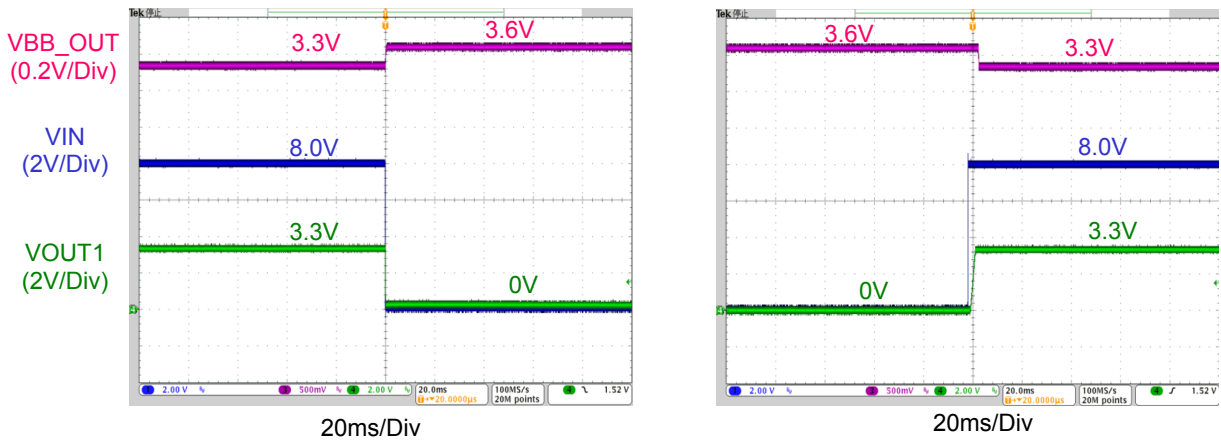
**Battery Backup circuit : VBB\_OUT changing Waveform (RAA23022x)**

VIN=8.0V, VOUT1=3.3V, VBB\_OUT output current =10uA, VBB\_OUT capacitor = 0.47uF

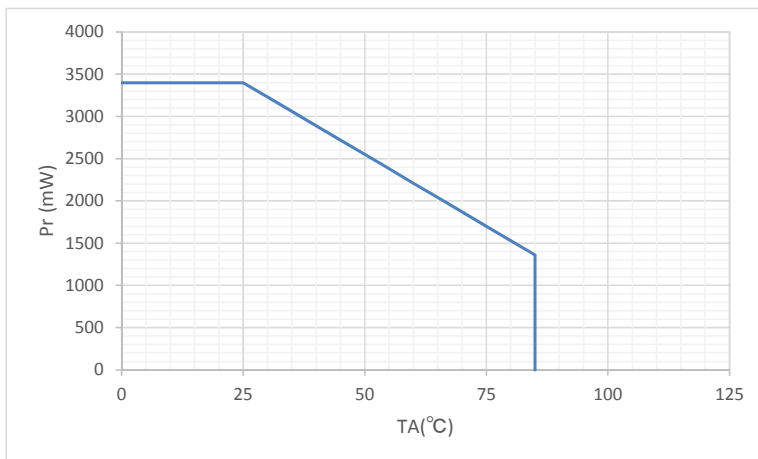
(1) Battery Voltage (VBB\_IN pin)=3.0V、 VOUT1=3.3V



(2) Battery Voltage(VBB\_IN pin) = 3.6V、 VOUT1=3.3V



**Temperature Derating Curve**



## Detailed Description

### Control Block

EN1, EN2 : ON/OFF setting

EN1	EN2	State	VREG
L	L	Shutdown (CH1 and CH2 stop)	0V
H	L	CH1 Operation CH2 Stop	5.0V
H	H	CH1 and CH2 Operation	5.0V
L	H	Ch1 Stop CH2 Operation	5.0V

Note: L: Low level, H: High level

There is no pull-down resistor within EN1 and EN2 pin because of reducing power consumption at light load.  
Fix EN1 and EN2 pin to high level or low.

x\_autoPFM : AutoPFM mode/ PWM mode setting

x_autoPFM	Operation
L	Auto PFM mode (change automatically) PFM mode at light load PWM mode at heavy load
H	PWM mode (fixed)

Note: L: Low level, H: High level

There is no pull-down resistor within x\_autoPFM pin because of reducing power consumption at light load.  
Fix x\_autoPFM pin to high level or low.

PGOOD : Power Good output

State	PGOOD
CH1 and CH2 stop	L
CH1 or CH2 operation	HiZ

Note: L: Low level, H: High level

When using this function, connect PGOOD pin to VREG, VOUT1, VOUT2, etc.

When VREG voltage falls under 3.7V, PGOOD pin becomes high impedance though CH1 and CH2 stop.

**Auto PFM mode**

RAA23022x and RAA23023x have Auto PFM mode to achieve high efficiency over a wide load current range. The devices operate with PFM (Pulse Frequency Modulation) mode at light load current, and PWM (Pulse Width Modulation) mode at heavy load current. An operation mode is automatically switched depending on load current.

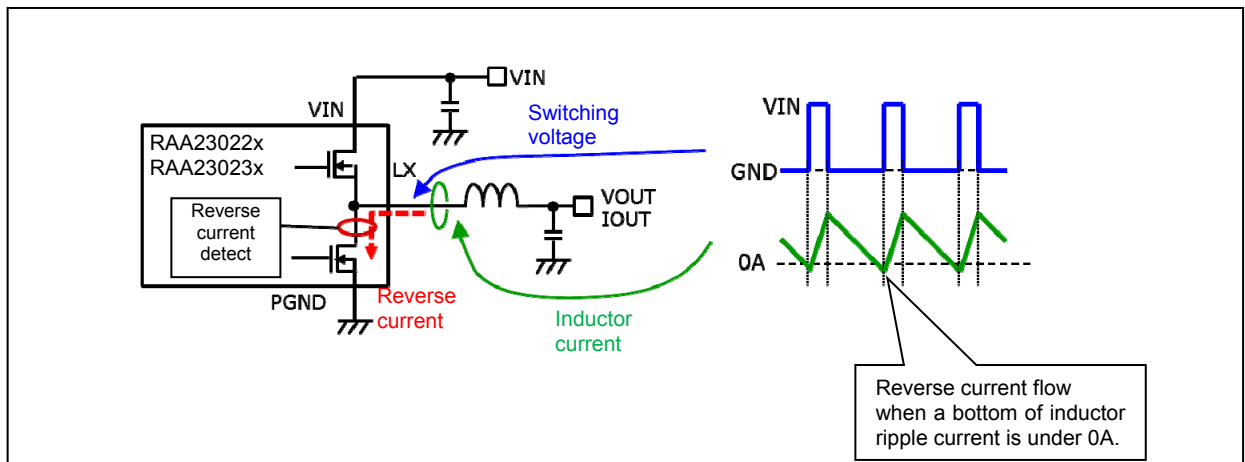
When a bottom of inductor ripple current is under 0A, reverse current flow at low-side N-channel MOSFET of output block. The devices operate with PFM mode during detecting this current.

A current of switching PFM / PWM mode ( $I_{change}$ ) is calculated by an equation below.

$$I_{change} = \frac{\Delta IL}{2}$$

$$\Delta IL = \frac{(V_{IN} - V_{OUT})}{L} \times \frac{V_{OUT}}{V_{IN}} \times \frac{1}{f_{sw}}$$

L : inductance, fsw : 1.1MHz



RAA23022x and RAA23023x have x\_autoPFM pin. When Low level, the devices operate Auto PFM mode (PFM mode / PWM mode changed automatically). When High level, the devices operate PWM mode, then not change into Auto PFM mode.



**Soft Start**

To limit the startup inrush current and output voltage overshoot, a soft start circuit is used to ramp up the reference voltage from 0 V to its final value linearly. When EN pin is set from low level to high level, the device starts operation and output voltage rises with soft start. Both CH1 and CH2 soft start time are fixed at 2ms(Typ.) and no additional components are needed. Soft start feature gradually increases the error amplifier (E/A) input threshold voltage by using the voltage that is generated by the digital soft start (DSS) circuit.

### Discharge Circuit

The device has discharge circuit in both CH1 and CH2. This enables a rapid discharge without an external MOSFET. When an EN pin is changed from high level to low, each discharge switch in VOUT pin is turned on and all capacitors which are connected to each output are rapidly discharged through VOUT pin.

When VIN pin voltage becomes low level, discharge switches become off because there are no voltage to keep them on. The control voltage of discharge switches is VREG, and the discharge time of VREG capacitor is over 100ms when VIN voltage falls down, so even if EN pin is connected to VIN pin, an output voltage can be discharged because VREG voltage level can keep the discharge switches on.

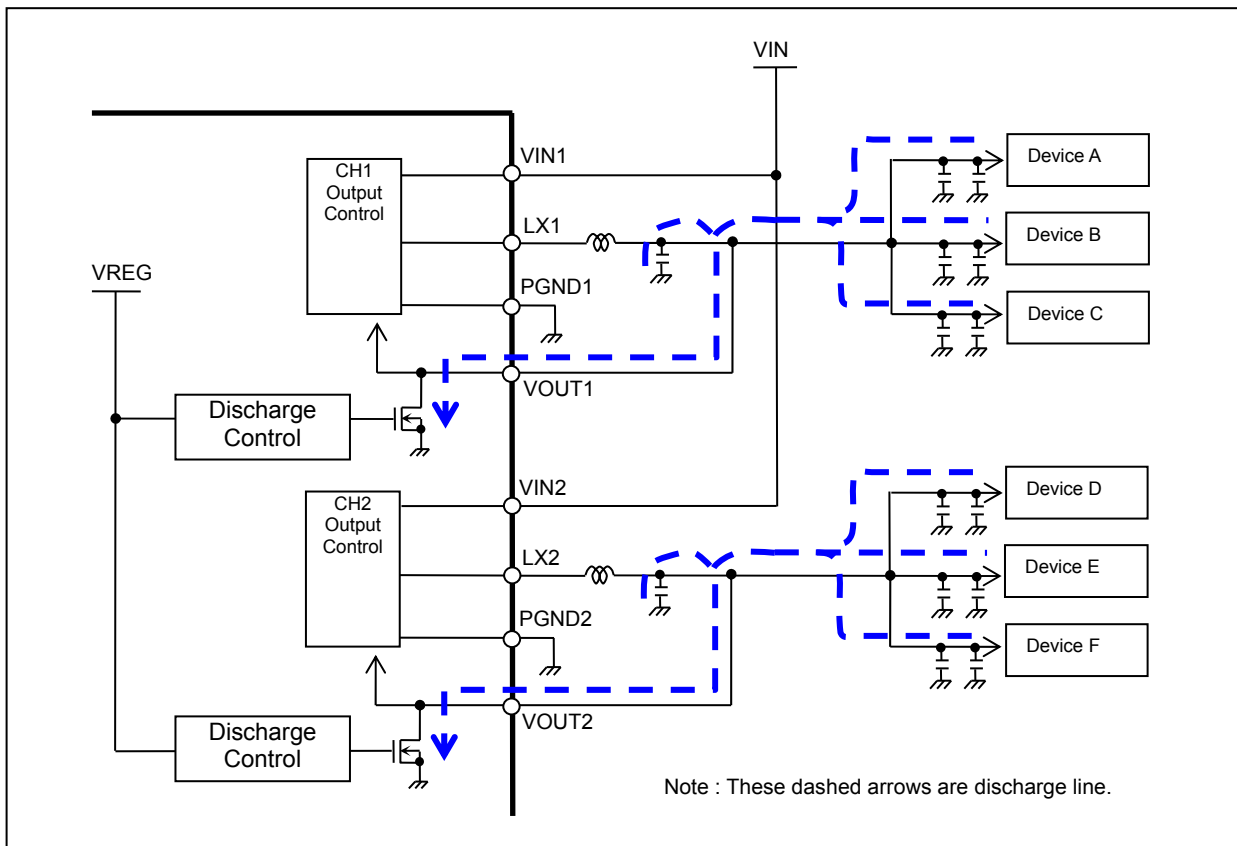
Discharge time can be calculated by an equation below.

$$V_{dc} = V_{OUT} \times e^{-\frac{t_{dc}}{C_{ALL} \times R_{ondc}}}$$

$V_{dc}$  is a voltage after  $t_{dc}$ (s).

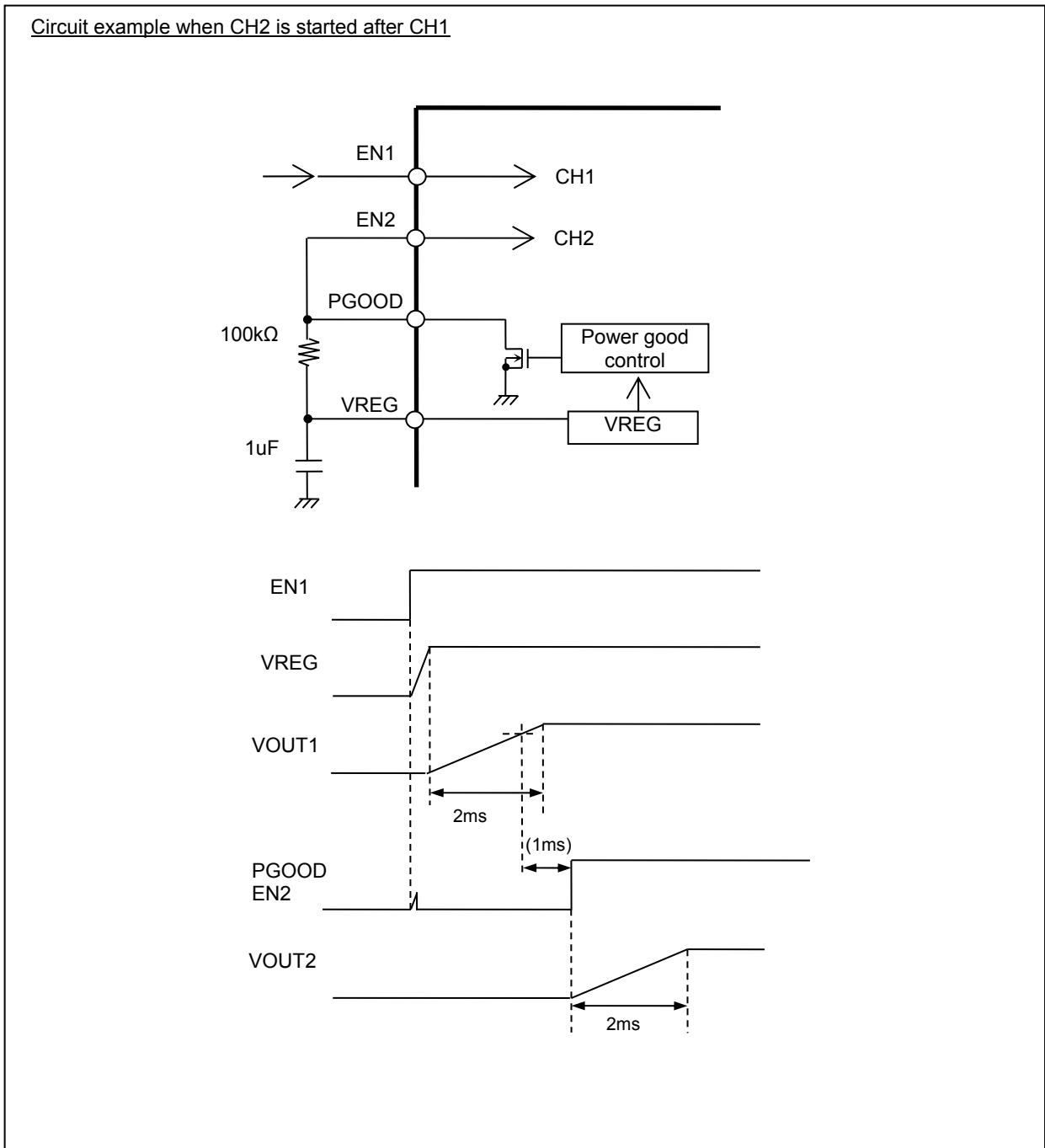
$C_{ALL}$  is sum of all capacitance which are connected to CH1 or CH2 output (output capacitor, bypass capacitor around MCU, etc.).

$R_{ondc}$  is on resistance of discharge circuit.



### Power Good

Power Good is an open-drain output that requires a pull – up resistor (Recommended value = 100kΩ). PGOOD pin becomes high impedance (HiZ) when either CH1 or CH2 FB pin voltage and thus its output voltage rises above 80% of nominal regulation point. If it is pulled-up, PGOOD output high level. PGOOD pin goes low when both CH1 or CH2 output voltage falls below 80% of the regulation point. When both EN1 and EN2 pin goes low level, PGOOD pin becomes HiZ because VREG is used for power good control and it fall down at this time. So, if PGOOD pin is connected to VIN, its status becomes high level even if CH1 and CH2 stop. PGOOD pin must be pulled up to CH1 output, CH2 output or VREG when using this function. CH1 and CH2 can be started in order by connecting PGOOD pin to EN1 or EN2. This function can be also used for sequence signal for other devices.



### Battery Backup (RAA23022x)

RAA23022x has a battery backup circuit which is used to operate some devices at system power-off. The circuit can be easily designed by RAA23022x without two diodes.

When CH1 operates,  $V_{BB\_OUT} = V_{OUT1}$ . When CH1 stops and  $V_{OUT1}$  pin voltage is higher than  $V_{BB\_IN}$  pin,  $V_{BB\_OUT} = V_{OUT1}$  pin. When CH1 stops and  $V_{OUT1}$  pin voltage is lower than  $V_{BB\_IN}$  pin,  $V_{BB\_OUT} = V_{BB\_IN}$  pin.

$V_{BB\_OUT}$  voltage value is dependent on on-resistance between  $V_{BB\_IN}$  and  $V_{BB\_OUT}$ , On-resistance between  $V_{OUT1}$  and  $V_{BB\_OUT}$  and  $V_{BB\_OUT}$  output current.  $V_{BB\_OUT}$  can be calculated by equations below.

1. Normal operation mode ( $V_{BB\_OUT} = V_{OUT1}$ )

$$V_{BB\_OUT} = V_{OUT1} - I_{BB\_OUT} \times R_{on\_vout1}$$

2. Battery backup mode ( $V_{BB\_OUT} = V_{BB\_IN}$ )

$$V_{BB\_OUT} = V_{BB\_IN} - I_{BB\_OUT} \times R_{on\_vbat}$$

$V_{BB\_OUT}$  :  $V_{BB\_OUT}$  voltage (V)

$V_{OUT1}$  :  $V_{OUT1}$  voltage = CH1 output voltage (V)

$V_{BB\_IN}$  :  $V_{BB\_IN}$  voltage = Battery voltage (V)

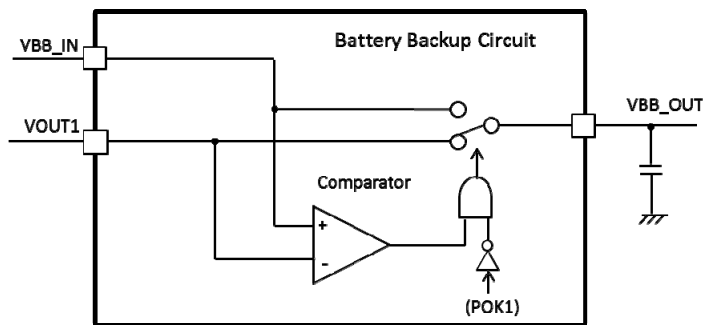
$I_{BB\_OUT}$  :  $V_{BB\_OUT}$  output current (A)

$R_{on\_vout1}$  : On resistance between  $V_{OUT1}$  and  $V_{BB\_OUT}$  100Ω (Typ.)

$R_{on\_vbat}$  : On resistance between  $V_{BB\_IN}$  and  $V_{BB\_OUT}$  400Ω (Typ.)

Note :  $2.7V \leq V_{BB\_OUT} \leq 3.7V$

Connect over 0.47uF capacitor to  $V_{BB\_OUT}$  pin.



Note : POK1 is an IC internal signal which identifies CH1 operating status. It cannot be seen from IC outside.

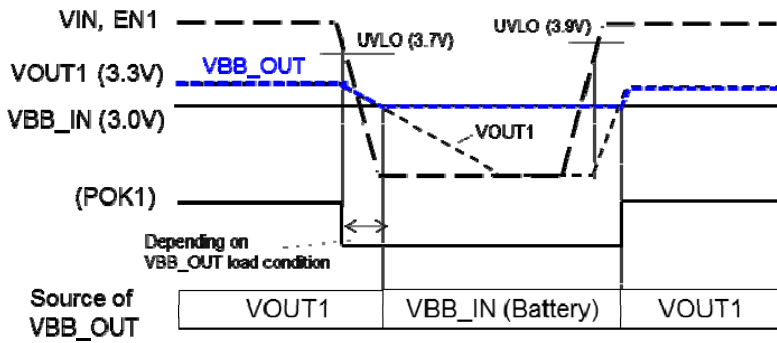
#### $V_{BB\_OUT}$ pin output status

CH1	$V_{OUT1}, V_{BB\_IN}$	$V_{BB\_OUT}$
Operation (POK1 = H)	$V_{OUT1} \geq V_{BB\_IN}$ or $V_{OUT1} < V_{BB\_IN}$	$V_{OUT1}$
Stop (POK1 = L)	$V_{OUT1} \geq V_{BB\_IN}$	$V_{OUT1}$
	$V_{OUT1} < V_{BB\_IN}$	$V_{BB\_IN}$

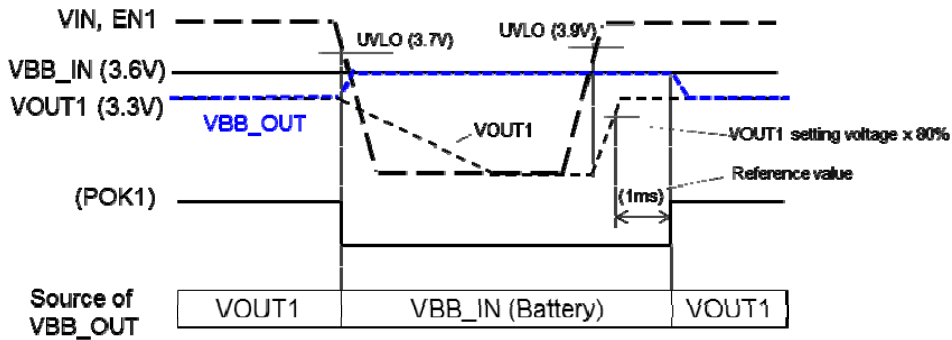
Note : L: Low level, H: High level

Timing chart of battery backup

1. With 3.0V battery



2. With 3.6V battery



**Protection Circuit View**

Protection circuit	Function	Operation status		Reset
		Common circuit (VREG, etc.)	CH1, CH2 Output	
Short circuit protection (SCP)	Detect output voltage dropping because of short circuit, etc. (Latch type)	Operation	Latched to off	Turn EN1 and EN2 pin from high level to low level or Drop VIN1 and VIN2 pin voltage under operation stop voltage of UVLO
Thermal shutdown circuit (TSD)	Detect rise up of IC internal temperature (Over 165°C) (Auto recovery type)	Operation	Stop	The temperature falls
Under voltage lockout circuit (UVLO)	Detect dropping of VIN (Auto recovery type)	Operation	Stop	Up VIN1 and VIN2 over operating start voltage (3.9V)

Note SCP : Short Circuit Protection  
 TSD : Thermal Shutdown Circuit  
 UVLO : Under Voltage Lockout Circuit

**Short Circuit Protection (Latch type)**

When CH1 or CH2 output voltage drops, each FB pin input voltage also drops. If this voltage falls below the input detection voltage (0.35V(typ.)) of the short circuit protection, the outputs both CH1 and CH2 are stopped (latched to OFF). At this time, common circuits (such as VREG, etc.) continue operating.

When the protection is operating, to reset the latch, either turn the EN1 pin and EN2 pin from high to low or drop the VIN1 pin and VIN2 voltage under operation stop voltage of UVLO.

**Thermal Shutdown Circuit (Auto Recovery Type)**

When overheating has been detected (detect temperature: 165°C ), the outputs both CH1 and CH2 is stopped. Then, power MOSFET of output both high side and low side are turned off. Common circuits (such as VREG, etc.) continue operating.

If the device temperature falls and becomes under detect temperature, the protection is canceled and output automatically resumes.

**Under Voltage Lockout Circuit (Auto Recovery Type)****(1) Under voltage lockout operation**

When the power supply voltage (VIN1 and VIN2) falls to the operation stop voltage (3.7V), output from all channels stops. Common circuits (such as VREG, etc.) continue operating.

**(2) Restoring output**

Once VIN1 and VIN2 is restored to the Operating start voltage (3.9V), the under voltage lockout operation is canceled and output automatically resumes. The output voltage cannot be restored while the under voltage lockout circuit is operating, not even by manipulating the EN pin.

**Current Limiting**

If an overcurrent occurs, an output current is limited on a pulse-by-pulse basis. If the current sensor detects an overcurrent, the current is limited and the switching operation of the Power MOSFET in the output stage stops until the next cycle.

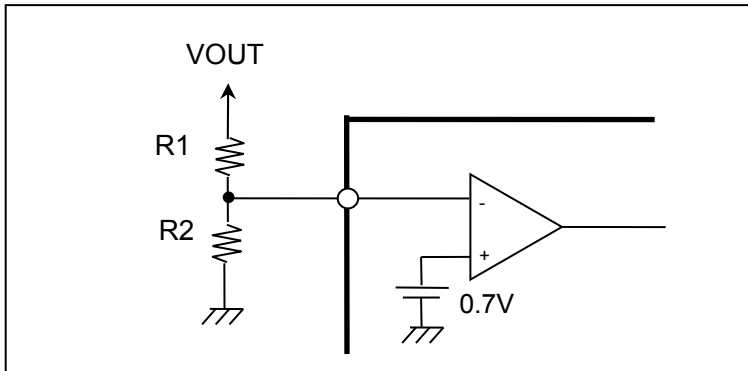
When an output current is limited, the output voltage drops. If a FB pin voltage falls below the input detection voltage, the short-circuit protection circuit starts operating.

## Guide for Circuit Design

### Setting Output Voltage (When the output voltage is set by external resistor)

The output voltage can be calculated by an equation below.

$$V_{OUT} = 0.7 \times (1 + R1 / R2)$$



#### Examples of R1 and R2 selection

Vout	0.9V	1.0V	1.05V	1.1V	1.18V	1.2V	1.5V	1.8V	2.5V	3.3V	5.0V
R1	110k	100k	100k	91k	110k	130k	150k	130k	100k	100k	110k
R2	390k	240k	200k	160k	160k	180k	130k	82k	39k	27k	18k

### Output voltage accuracy (When the output voltage is set by external resistor)

Output voltage accuracy can be calculated by an equation below.

$$V_{OUTACC} = V_{ITHACC} + \frac{(V_{out} - V_{ITH})}{V_{out}} \times 2 \times R_{ACC}$$

$V_{OUTACC}$  is the output voltage accuracy (%).

$V_{ITHACC}$  is the E/A input threshold voltage accuracy (%).

$V_{OUT}$  is the output voltage (V).

$R_{ACC}$  is the external resistor accuracy (%).

So, an output voltage accuracy of the device is below.

$$V_{OUTACC} = 1 + \frac{(V_{out} - 0.7)}{V_{out}} \times 2 \times R_{ACC}$$

Note : These equation don't include Vout fluctuation by load step transient.



### Inductor selection

An inductor target is that ripple current ( $\Delta I_L$ ) of inductor becomes 10 to 40 % of  $I_{out(max)}$ .

When  $\Delta I_L$  increases, inductor current peak raises, so ripple of  $V_{out}$  gets larger and power loss increases. But, large size inductor is required to lower  $\Delta I_L$ .

$\Delta I_L$  can be calculated by an equation below.

$$\Delta I_L = \frac{(V_{in} - V_{out})}{L} \times \frac{V_{out}}{V_{in}} \times \frac{1}{f_{sw}}$$

$f_{sw}$  is 1.1MHz.

Peak current of inductor ( $I_{Lpeak}$ ) can be calculated by an equation below.

$$I_{Lpeak} = I_{OUT(MAX)} + \frac{\Delta I_L}{2}$$

Choose a inductor which saturation current is higher than  $I_{Lpeak}$ .

### Inductor Example

Inductance (uH)	Inductor	Manufacturer	$I_{TEMP}$ (A)	$I_{SAT}$ (A)	Size (LxWxT, mm)
2.2	NRS5024T2R2NMGJ	TAIYO YUDEN	3.1	4.1	4.9x4.9x2.4
2.2	744778002	WURTH	4.0	4.8	7.3x7.3x3.2
3.3	NRS5030T3R3MMGJ	TAIYO YUDEN	3.0	3.6	4.9x4.9x3.1
3.3	7447789003	WURTH	3.4	4.2	7.3x7.3x3.2
4.7	NRS5040T4R7NMGK	TAIYO YUDEN	3.1	3.3	4.9x4.9x4.1
4.7	744777004	WURTH	4.0	4.0	7.3x7.3x4.3

Note  $I_{TEMP}$  : Rated current by temperature rising

$I_{SAT}$  : Rated current by inductance loss

These inductors are examples. About inductor detail, contact each manufacturer

**Output capacitor selection**

RAA23022x and RAA23023x have a phase compensation circuit which is optimized to DC/DC operation. In order to operate stably with the phase compensation, connect the output capacitor which is over 22 uF. Ceramic capacitor can be used for output capacitor. It has low ESR, so VOUT ripple is decreased.

VOUT ripple ( $\Delta V_{rpl}$ ) can be calculated by an equation below.

$$\Delta V_{rpl} = \Delta I_L \times \left( ESR + \frac{1}{(8 \times C_{OUT} \times f_{SW})} \right)$$

ESR : Equivalent Series Resistance

**Input capacitor selection**

Connect an input capacitor which is over 10 uF between each VIN pin and power ground. It should be placed close to the device as possible.

**VREG capacitor**

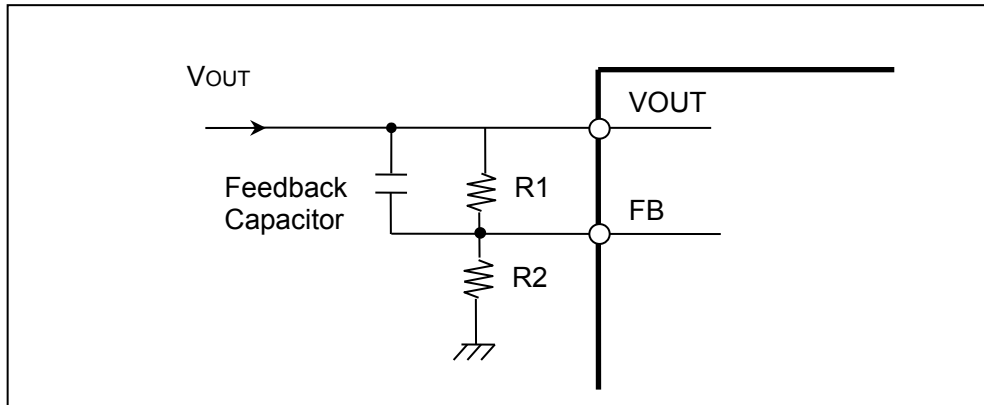
Connect 1uF ceramic capacitor to VREG pin.

**Bootstrap capacitor**

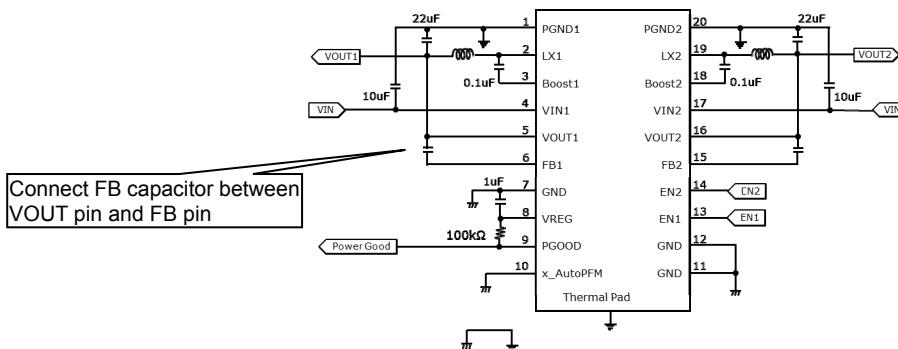
Connect 0.1uF ceramic capacitor between LX pin and Boost pin.

### Feedback capacitor

When PFM operation at Auto PFM mode, feedback capacitor can be connected in parallel to high side output voltage setting resistor to adjust phase characteristic. If connected, there are possibility that operation in large current (at PWM operation) is not stable. Confirm the operation with system status.

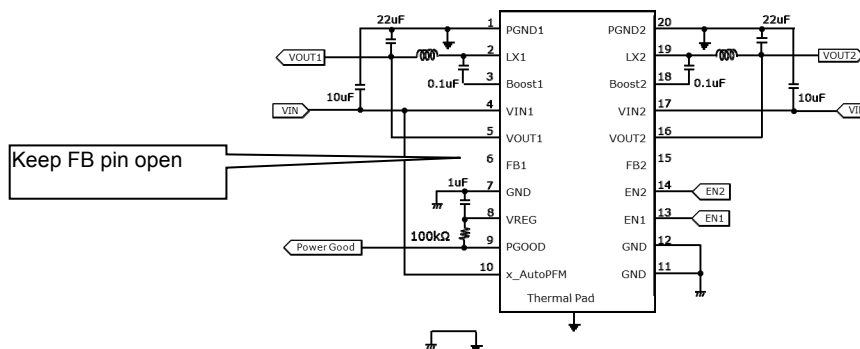


When using feedback capacitor with an output voltage fixed product, connect feedback capacitor between VOUT pin and FB pin.



Example of RAA230232

When not using feedback capacitor with an output voltage fixed product, keep FB pin open.



Example of RAA230232

**Components example**

VIN (V)	VOUT (V)	L (uH)	Cout (uF)	C <sub>FB</sub> (pF)	
				Auto PFM mode	PWM mode
12	5V	3.3	22 to 44	0 to 100	No need
	3.3V	3.3	22 to 44	0 to 100	No need
	1.2V	3.3	22 to 44	0 to 100	No need
5	3.3	2.2	22	0 to 100	No need
	1.2	2.2	22	0 to 100	No need

## Notes on Use

### VIN Applied Voltage

Be sure to apply the same voltage to VIN1 pin and VIN2 pin.

### Pattern Wiring

To actually perform pattern wiring, separate a ground of control signal from a ground of a power line, so that these grounds do not have a common impedance as much as possible.

### Connection of Exposed PAD

HTSSOP package has an Exposed PAD on the bottom to improve radiation performance. On the mounting board, connect this Exposed PAD to PGND or GND.

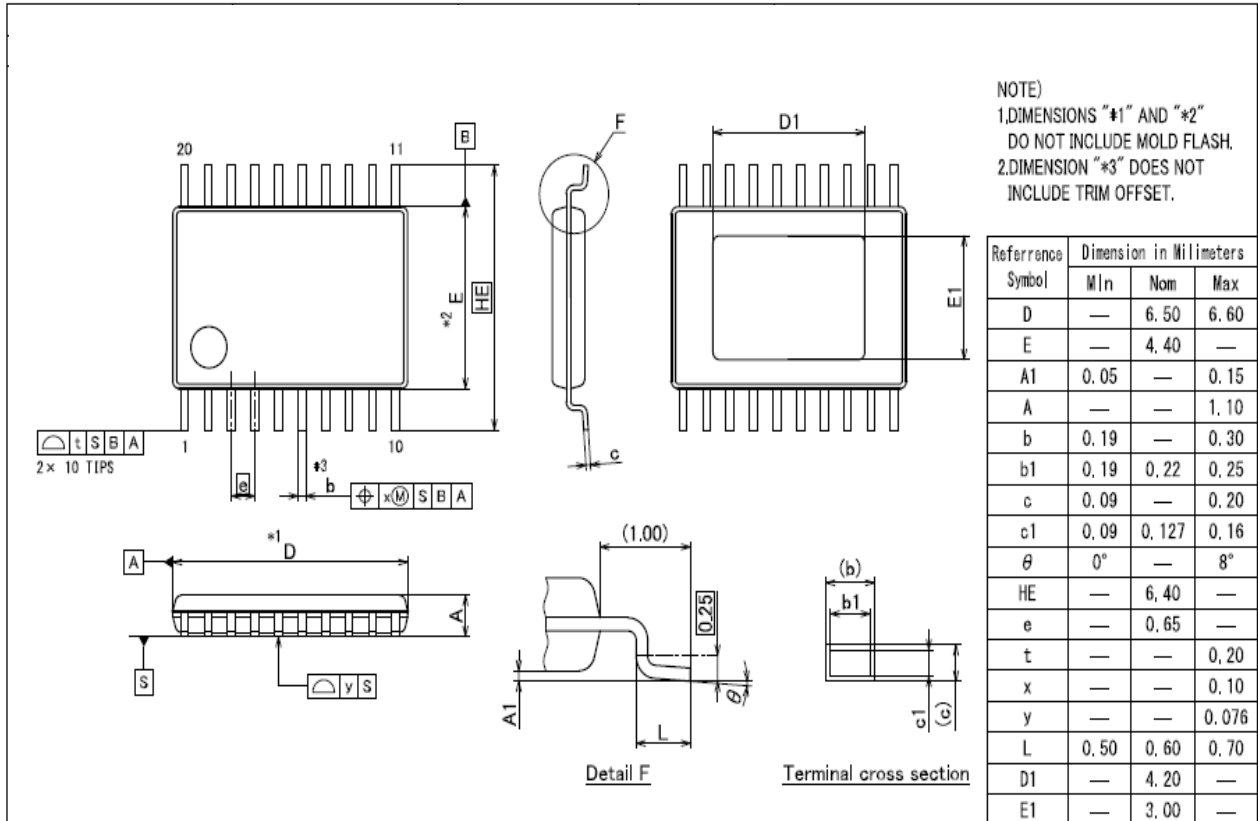
### Fixed Usage of Control Input Pin

When EN pin and x\_AutoPFM pin are fixed, connect to a pin listed below.

Input Pin	Connect Pin	
	Fixed to Low Level	Fixed to High Level
EN1	GND	VIN
EN2	GND	VIN
x_AutoPFM	GND	VIN

### Package Dimensions

20pin HTSSOP  
 Renesas code : PTSP0020JF-A



<b>Revision History</b>	<b>RAA23022x, RAA23023x Datasheet</b>
-------------------------	---------------------------------------

Rev.	Date	Description	
		Page	Summary
1.00	Apr.21. 2015	-	First Edition issued

All trademarks and registered trademarks are the property of their respective owners.

## Notice

1. Descriptions of circuits, software and other related information in this document are provided only to illustrate the operation of semiconductor products and application examples. You are fully responsible for the incorporation of these circuits, software, and information in the design of your equipment. Renesas Electronics assumes no responsibility for any losses incurred by you or third parties arising from the use of these circuits, software, or information.
2. Renesas Electronics has used reasonable care in preparing the information included in this document, but Renesas Electronics does not warrant that such information is error free. Renesas Electronics assumes no liability whatsoever for any damages incurred by you resulting from errors in or omissions from the information included herein.
3. Renesas Electronics does not assume any liability for infringement of patents, copyrights, or other intellectual property rights of third parties by or arising from the use of Renesas Electronics products or technical information described in this document. No license, express, implied or otherwise, is granted hereby under any patents, copyrights or other intellectual property rights of Renesas Electronics or others.
4. You should not alter, modify, copy, or otherwise misappropriate any Renesas Electronics product, whether in whole or in part. Renesas Electronics assumes no responsibility for any losses incurred by you or third parties arising from such alteration, modification, copy or otherwise misappropriation of Renesas Electronics product.
5. Renesas Electronics products are classified according to the following two quality grades: "Standard" and "High Quality". The recommended applications for each Renesas Electronics product depends on the product's quality grade, as indicated below.  
"Standard": Computers; office equipment; communications equipment; test and measurement equipment; audio and visual equipment; home electronic appliances; machine tools; personal electronic equipment; and industrial robots etc.  
"High Quality": Transportation equipment (automobiles, trains, ships, etc.); traffic control systems; anti-disaster systems; anti-crime systems; and safety equipment etc.  
Renesas Electronics products are neither intended nor authorized for use in products or systems that may pose a direct threat to human life or bodily injury (artificial life support devices or systems, surgical implantations etc.), or may cause serious property damages (nuclear reactor control systems, military equipment etc.). You must check the quality grade of each Renesas Electronics product before using it in a particular application. You may not use any Renesas Electronics product for any application for which it is not intended. Renesas Electronics shall not be in any way liable for any damages or losses incurred by you or third parties arising from the use of any Renesas Electronics product for which the product is not intended by Renesas Electronics.
6. You should use the Renesas Electronics products described in this document within the range specified by Renesas Electronics, especially with respect to the maximum rating, operating supply voltage range, movement power voltage range, heat radiation characteristics, installation and other product characteristics. Renesas Electronics shall have no liability for malfunctions or damages arising out of the use of Renesas Electronics products beyond such specified ranges.
7. Although Renesas Electronics endeavors to improve the quality and reliability of its products, semiconductor products have specific characteristics such as the occurrence of failure at a certain rate and malfunctions under certain use conditions. Further, Renesas Electronics products are not subject to radiation resistance design. Please be sure to implement safety measures to guard them against the possibility of physical injury, and injury or damage caused by fire in the event of the failure of a Renesas Electronics product, such as safety design for hardware and software including but not limited to redundancy, fire control and malfunction prevention, appropriate treatment for aging degradation or any other appropriate measures. Because the evaluation of microcomputer software alone is very difficult, please evaluate the safety of the final products or systems manufactured by you.
8. Please contact a Renesas Electronics sales office for details as to environmental matters such as the environmental compatibility of each Renesas Electronics product. Please use Renesas Electronics products in compliance with all applicable laws and regulations that regulate the inclusion or use of controlled substances, including without limitation, the EU RoHS Directive. Renesas Electronics assumes no liability for damages or losses occurring as a result of your noncompliance with applicable laws and regulations.
9. Renesas Electronics products and technology may not be used for or incorporated into any products or systems whose manufacture, use, or sale is prohibited under any applicable domestic or foreign laws or regulations. You should not use Renesas Electronics products or technology described in this document for any purpose relating to military applications or use by the military, including but not limited to the development of weapons of mass destruction. When exporting the Renesas Electronics products or technology described in this document, you should comply with the applicable export control laws and regulations and follow the procedures required by such laws and regulations.
10. It is the responsibility of the buyer or distributor of Renesas Electronics products, who distributes, disposes of, or otherwise places the product with a third party, to notify such third party in advance of the contents and conditions set forth in this document, Renesas Electronics assumes no responsibility for any losses incurred by you or third parties as a result of unauthorized use of Renesas Electronics products.
11. This document may not be reproduced or duplicated in any form, in whole or in part, without prior written consent of Renesas Electronics.
12. Please contact a Renesas Electronics sales office if you have any questions regarding the information contained in this document or Renesas Electronics products, or if you have any other inquiries.  
(Note 1) "Renesas Electronics" as used in this document means Renesas Electronics Corporation and also includes its majority-owned subsidiaries.  
(Note 2) "Renesas Electronics product(s)" means any product developed or manufactured by or for Renesas Electronics.



### SALES OFFICES

Renesas Electronics Corporation

<http://www.renesas.com>

Refer to "<http://www.renesas.com/>" for the latest and detailed information.

**California Eastern Laboratories, Inc.**  
4590 Patrick Henry Drive, Santa Clara, California 95054-1817, U.S.A.  
Tel: +1-408-919-2500, Fax: +1-408-988-0279

**Renesas Electronics Europe Limited**  
Dukes Meadow, Millboard Road, Bourne End, Buckinghamshire, SL8 5FH, U.K.  
Tel: +44-1628-585-100, Fax: +44-1628-585-900

**Renesas Electronics Europe GmbH**  
Arcadiastrasse 10, 40472 Düsseldorf, Germany  
Tel: +49-211-6503-0, Fax: +49-211-6503-1327

**Renesas Electronics (China) Co., Ltd.**  
Room 1709, Quantum Plaza, No.27 ZhiChunLu Haidian District, Beijing 100191, P.R.China  
Tel: +86-10-8235-1155, Fax: +86-10-8235-7679

**Renesas Electronics (Shanghai) Co., Ltd.**  
Unit 301, Tower A, Central Towers, 555 Langao Road, Putuo District, Shanghai, P. R. China 200333  
Tel: +86-21-2226-0888, Fax: +86-21-2226-0999

**Renesas Electronics Hong Kong Limited**  
Unit 1601-1611, 16/F., Tower 2, Grand Century Place, 193 Prince Edward Road West, Mongkok, Kowloon, Hong Kong  
Tel: +852-2265-6688, Fax: +852 2886-9022

**Renesas Electronics Taiwan Co., Ltd.**  
13F, No. 363, Fu Shing North Road, Taipei 10543, Taiwan  
Tel: +886-2-8175-9600, Fax: +886 2-8175-9670

**Renesas Electronics Singapore Pte. Ltd.**  
80 Bendemeer Road, Unit #06-02 Hyflux Innovation Centre, Singapore 339949  
Tel: +65-6213-0200, Fax: +65-6213-0300

**Renesas Electronics Malaysia Sdn.Bhd.**  
Unit 1207, Block B, Menara Amcorp, Amcorp Trade Centre, No. 18, Jln Persiaran Barat, 46050 Petaling Jaya, Selangor Darul Ehsan, Malaysia  
Tel: +60-3-7955-9390, Fax: +60-3-7955-9510

**Renesas Electronics India Pvt. Ltd.**  
No.777C, 100 Feet Road, HALII Stage, Indiranagar, Bangalore, India  
Tel: +91-80-67208700, Fax: +91-80-67208777

**Renesas Electronics Korea Co., Ltd.**  
12F., 234 Teheran-ro, Gangnam-Gu, Seoul, 135-080, Korea  
Tel: +82-2-558-3737, Fax: +82-2-558-5141



# Mouser Electronics

Authorized Distributor

Click to View Pricing, Inventory, Delivery & Lifecycle Information:

## Renesas Electronics:

[RAA230232GSB#HA0](#) [RAA230223GSB#HA0](#) [RAA230231GSB#HA0](#) [RAA230233GSB#HA0](#) [RAA230221GSB#HA0](#)  
[RAA230222GSB#HA0](#)

Компания «Океан Электроники» предлагает заключение долгосрочных отношений при поставках импортных электронных компонентов на взаимовыгодных условиях!

Наши преимущества:

- Поставка оригинальных импортных электронных компонентов напрямую с производств Америки, Европы и Азии, а так же с крупнейших складов мира;
- Широкая линейка поставок активных и пассивных импортных электронных компонентов (более 30 млн. наименований);
- Поставка сложных, дефицитных, либо снятых с производства позиций;
- Оперативные сроки поставки под заказ (от 5 рабочих дней);
- Экспресс доставка в любую точку России;
- Помощь Конструкторского Отдела и консультации квалифицированных инженеров;
- Техническая поддержка проекта, помощь в подборе аналогов, поставка прототипов;
- Поставка электронных компонентов под контролем ВП;
- Система менеджмента качества сертифицирована по Международному стандарту ISO 9001;
- При необходимости вся продукция военного и аэрокосмического назначения проходит испытания и сертификацию в лаборатории (по согласованию с заказчиком);
- Поставка специализированных компонентов военного и аэрокосмического уровня качества (Xilinx, Altera, Analog Devices, Intersil, Interpoint, Microsemi, Actel, Aeroflex, Peregrine, VPT, Syfer, Eurofarad, Texas Instruments, MS Kennedy, Miteq, Cobham, E2V, MA-COM, Hittite, Mini-Circuits, General Dynamics и др.);

Компания «Океан Электроники» является официальным дистрибьютором и эксклюзивным представителем в России одного из крупнейших производителей разъемов военного и аэрокосмического назначения «JONHON», а так же официальным дистрибьютором и эксклюзивным представителем в России производителя высокотехнологичных и надежных решений для передачи СВЧ сигналов «FORSTAR».



## JONHON

«JONHON» (основан в 1970 г.)

Разъемы специального, военного и аэрокосмического назначения:

(Применяются в военной, авиационной, аэрокосмической, морской, железнодорожной, горно- и нефтедобывающей отраслях промышленности)

«FORSTAR» (основан в 1998 г.)

ВЧ соединители, коаксиальные кабели, кабельные сборки и микроволновые компоненты:

(Применяются в телекоммуникациях гражданского и специального назначения, в средствах связи, РЛС, а так же военной, авиационной и аэрокосмической отраслях промышленности).



Телефон: 8 (812) 309-75-97 (многоканальный)

Факс: 8 (812) 320-03-32

Электронная почта: [ocean@oceanchips.ru](mailto:ocean@oceanchips.ru)

Web: <http://oceanchips.ru/>

Адрес: 198099, г. Санкт-Петербург, ул. Калинина, д. 2, корп. 4, лит. А