

Series 44

Characteristics

The modular 22.5 mm Series 44 is especially suited for:

- Flush design
- Raised design

Up to three of these special switching elements can be arranged next to each other and can be combined in any way on up to two levels.

Functions

The Series 44 incorporates the following functions:

- Indicator
- Pushbutton
- Illuminated pushbutton
- E-STOP switch
- Stop switch
- Mushroom-head pushbutton
- Keylock switch
- Selector switch
- Potentiometer

Market segments

The EAO Series 44 is especially suited for applications in the segments:

- Machinery and Automation
- Construction machines and special-purpose vehicles
- Lifting and moving
- Panel building

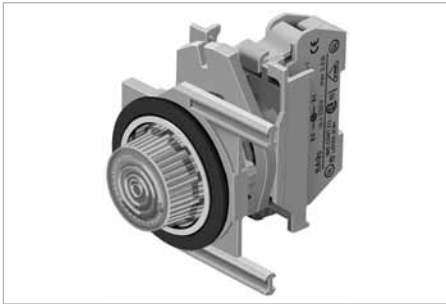
Please refer to the EAO website to obtain detailed information regarding this series www.products.eao.com
Configure a product to your exact needs and request a quotation.



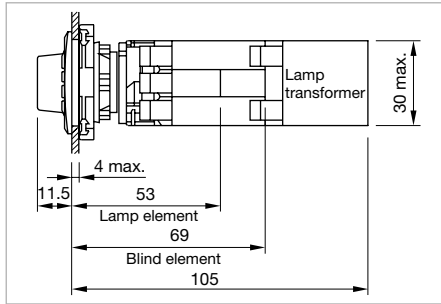
Overview		01
Flush design		02
Indicator	384	03
Pushbutton	386	04
Illuminated pushbutton	390	10
Keylock switch	392	14
Selector switch	393	17
Potentiometer	396	18
Raised design		19
Indicator	397	22
Pushbutton	402	31
Double pushbutton	406	41
Illuminated pushbutton	407	44
Emergency-stop switch	410	51
Stop switch	412	56
Mushroom-head pushbutton	414	57
Keylock switch	415	61
Selector switch	417	70
Lever switch	421	71
Potentiometer	422	82
Accessories	423	84
Drawings	442	92
Technical data	443	95
Marking	446	96
Application guidelines	449	97
		99
		ST

44 Flush design

Indicator full face illumination, IP 65

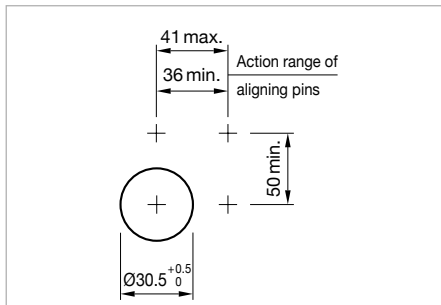


Product can differ from the current configuration.

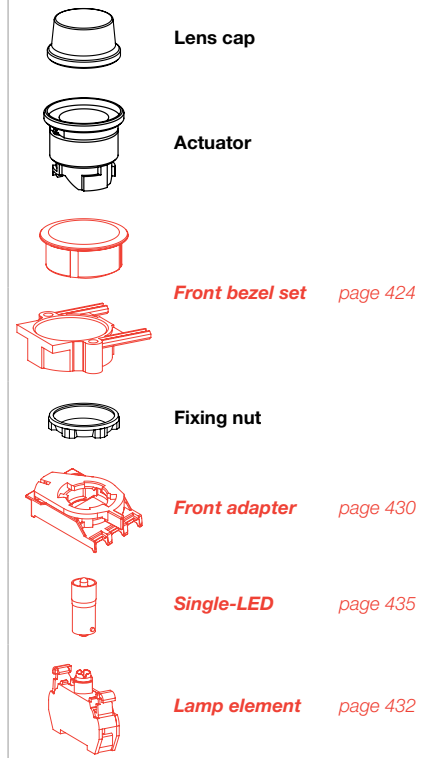


Additional Information

- For front dimensions 36 x 36 mm, Ø 36 mm
- Non-markable




Equipment consisting of (schematic overview)






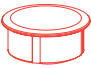

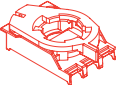

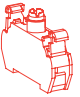
Each Part Number listed below includes all the black components shown in the 3D-drawing.

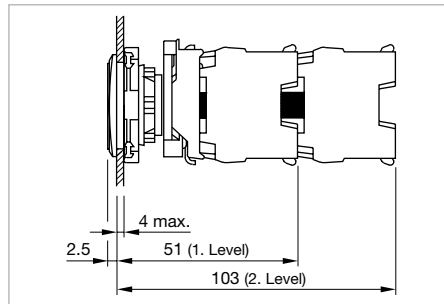
To obtain a complete unit, please select the red components from the pages shown.

Front ring	Lens cap	Part No.	Weight
 <p>Indicator actuator full-face illumination</p>	Plastic red	44-750.62	0.008 kg
	Plastic yellow	44-750.64	0.008 kg
	Plastic green	44-750.65	0.008 kg
	Plastic blue	44-750.66	0.008 kg
	Plastic colourless	44-750.67	0.008 kg
	Plastic matt chrome	Plastic red	44-750.22
Plastic yellow		44-750.24	0.008 kg
Plastic green		44-750.25	0.008 kg
Plastic blue		44-750.26	0.008 kg
Plastic colourless		44-750.27	0.008 kg

Indicator front illumination, IP 65

Equipment consisting of (schematic overview)

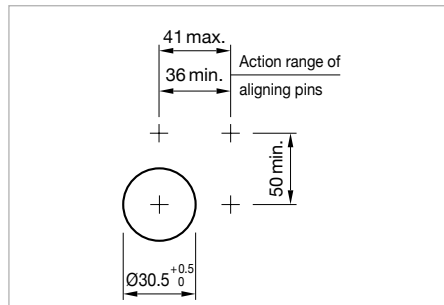
-  **Lens cap**
-  **Marking plate**
-  **Actuator**
-  **Front bezel set** *page 424*
-  **Fixing nut**
-  **Front adapter** *page 430*
-  **Single-LED** *page 435*
-  **Lamp element** *page 432*



Dimensions [mm]



Product can differ from the current configuration.




Mounting cut-outs [mm]

Additional Information

- For front dimensions 36 x 36 mm, Ø 36 mm
- Markable with text plate translucent white

Each Part Number listed below includes all the black components shown in the 3D-drawing.

To obtain a complete unit, please select the red components from the page s shown.

Front ring	Lens cap	Part No.	Weight
 <p>Indicator actuator front illumination</p>	Plastic red	44-751.62	0.007 kg
	Plastic yellow	44-751.64	0.007 kg
	Plastic green	44-751.65	0.007 kg
	Plastic blue	44-751.66	0.007 kg
	Plastic white	44-751.69	0.007 kg
Plastic matt chrome	Plastic red	44-751.22	0.007 kg
	Plastic yellow	44-751.24	0.007 kg
	Plastic green	44-751.25	0.007 kg

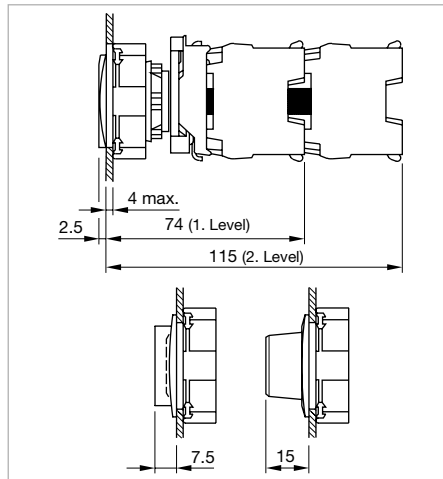
01
02
03
04
10
14
17
18
19
22
31
41
44
51
56
57
61
70
71
82
84
92
95
96
97
99
ST

44 Flush design

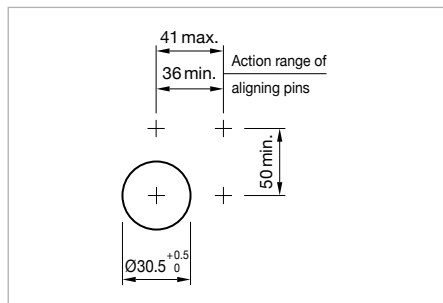
Pushbutton, IP 65



Product can differ from the current configuration.



Dimensions [mm]

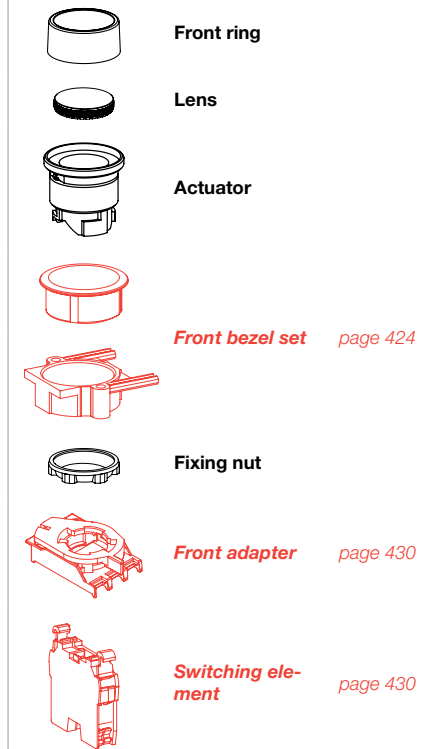


Mounting cut-outs [mm]

Additional Information


- For front dimensions 36 x 36 mm, Ø 36 mm
- Non-markable
- Up to 3 switching elements with maintain action

Equipment consisting of (schematic overview)



Each Part Number listed below includes all the black components shown in the 3D-drawing.

To obtain a complete unit, please select the red components from the pages shown.

Mounting type	Front ring	Lens	Switching action	Part No.	Wiring diagram	Weight
 <p>Pushbutton actuator</p>	Plastic matt grey	Plastic black	B	44-701.60	1	0.013 kg
		Plastic red	B	44-701.62	1	0.013 kg
		Plastic yellow	B	44-701.64	1	0.013 kg
		Plastic green	B	44-701.65	1	0.013 kg
		Plastic blue	B	44-701.66	1	0.013 kg
		Plastic white	B	44-701.69	1	0.013 kg
	Plastic matt chrome	Plastic black	B	44-701.20	1	0.013 kg
		Plastic red	B	44-701.22	1	0.013 kg
		Plastic yellow	B	44-701.24	1	0.013 kg
		Plastic green	B	44-701.25	1	0.013 kg
		Plastic blue	B	44-701.26	1	0.013 kg
	Plastic matt grey	Plastic black	C	44-701.29	1	0.013 kg
		Plastic black	C	44-702.60	2	0.013 kg
		Plastic red	C	44-702.62	2	0.013 kg
		Plastic yellow	C	44-702.64	2	0.013 kg
	Plastic matt grey	Plastic green	C	44-702.65	2	0.013 kg
		Plastic blue	C	44-702.66	2	0.013 kg

Mounting type	Front ring	Lens	Switching action	Part No.	Wiring diagram	Weight
level with bezel	Plastic matt grey	Plastic white	C	44-702.69	2	0.013 kg
	Plastic matt chrome	Plastic black	C	44-702.20	2	0.013 kg
		Plastic red	C	44-702.22	2	0.013 kg
		Plastic yellow	C	44-702.24	2	0.013 kg
		Plastic green	C	44-702.25	2	0.013 kg
		Plastic blue	C	44-702.26	2	0.013 kg
		Plastic white	C	44-702.29	2	0.013 kg



Pushbutton actuator

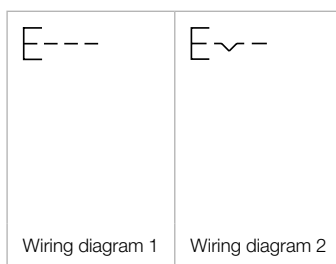
lower than bezel	Plastic matt grey	Plastic black	B	44-703.60	1	0.015 kg
		Plastic red	B	44-703.62	1	0.015 kg
		Plastic yellow	B	44-703.64	1	0.015 kg
		Plastic green	B	44-703.65	1	0.015 kg
		Plastic blue	B	44-703.66	1	0.015 kg
		Plastic white	B	44-703.69	1	0.015 kg
		Plastic matt chrome	Plastic black	B	44-703.20	1
	Plastic red		B	44-703.22	1	0.015 kg
	Plastic yellow		B	44-703.24	1	0.015 kg
	Plastic green		B	44-703.25	1	0.015 kg
	Plastic blue		B	44-703.26	1	0.015 kg
	Plastic white		B	44-703.29	1	0.015 kg



Pushbutton actuator

raised above bezel	Plastic matt grey	Plastic black	B	44-704.60	1	0.015 kg
		Plastic red	B	44-704.62	1	0.015 kg
		Plastic yellow	B	44-704.64	1	0.015 kg
		Plastic green	B	44-704.65	1	0.015 kg
		Plastic blue	B	44-704.66	1	0.015 kg
		Plastic white	B	44-704.69	1	0.015 kg
		Plastic matt chrome	Plastic black	B	44-704.20	1
	Plastic red		B	44-704.22	1	0.015 kg
	Plastic yellow		B	44-704.24	1	0.015 kg
	Plastic green		B	44-704.25	1	0.015 kg
	Plastic blue		B	44-704.26	1	0.015 kg
	Plastic white		B	44-704.29	1	0.015 kg

Switching action: B = Momentary, C = Maintain

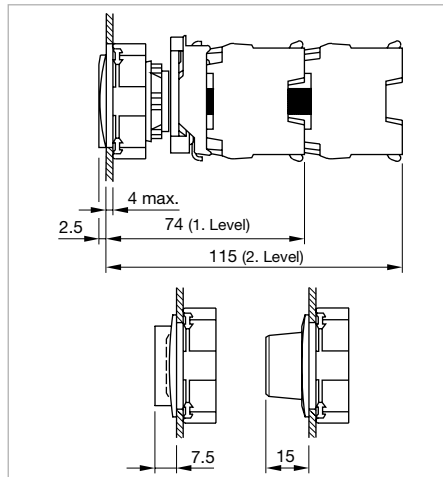


44 Flush design

Pushbutton markable, IP 65



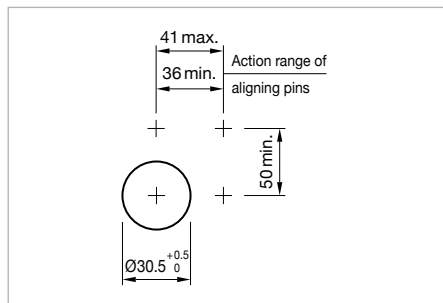
Product can differ from the current configuration.



Dimensions [mm]

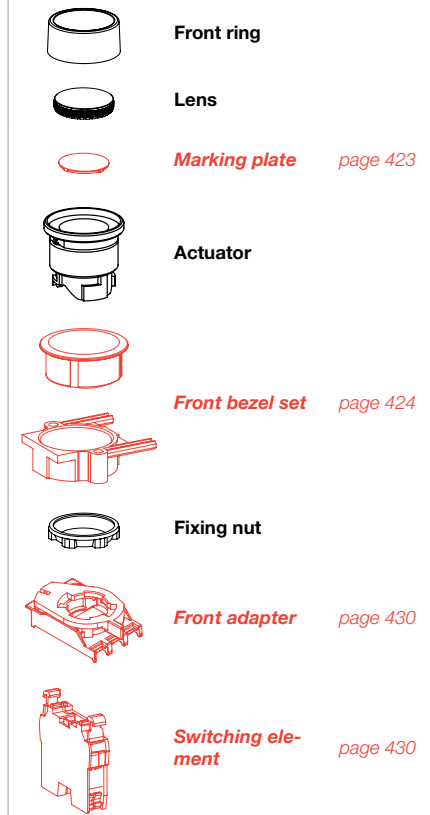
Additional Information

- For front dimensions 36 x 36 mm, Ø 36 mm



Mounting cut-outs [mm]

Equipment consisting of (schematic overview)

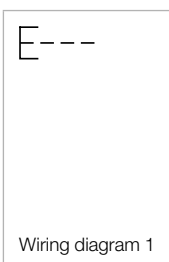


Each Part Number listed below includes all the black components shown in the 3D-drawing.

To obtain a complete unit, please select the red components from the pages shown.

Product attribute	Front ring	Lens	Switching action	Part No.	Wiring diagram	Weight
<p>Pushbutton actuator markable</p>	Plastic matt chrome	Plastic colourless	B	44-701.27	1	0.012 kg

Switching action: B = Momentary

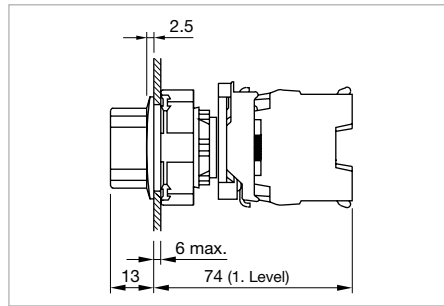


Wiring diagram 1

Pushbutton lockable, IP 65

Equipment consisting of (schematic overview)

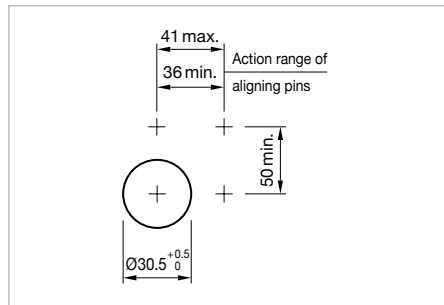
- Actuator**
- Front bezel set** *page 424*
- Fixing nut**
- Front adapter** *page 430*
- Switching element** *page 430*



Dimensions [mm]



Product can differ from the current configuration.



Mounting cut-outs [mm]

Additional Information

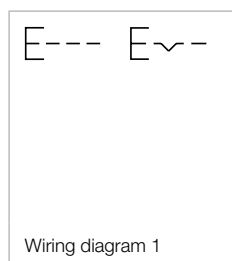
- For front dimensions 36 x 36 mm, Ø 36 mm
- In activated state locked by turning to the right, otherwise momentary action
- Up to 3 switching elements at 1. level

Each Part Number listed below includes all the black components shown in the 3D-drawing.

To obtain a complete unit, please select the red components from the pages shown.

Lever	Front ring	Switching action	Part No.	Wiring diagram	Weight
Pushbutton actuator lockable					
Plastic black	Plastic matt chrome	B - C	44-742.20	1	0.020 kg
Plastic red	Plastic matt chrome	B - C	44-742.22	1	0.02 kg

Switching action: B = Momentary, C = Maintain

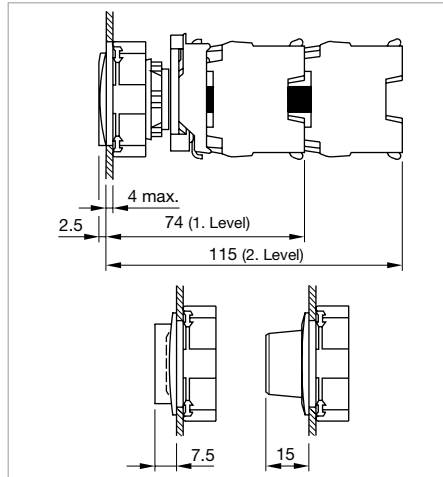


44 Flush design

Illuminated pushbutton, IP 65



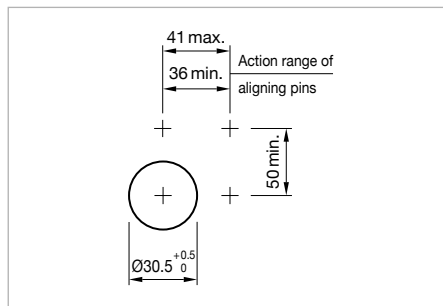
Product can differ from the current configuration.



Dimensions [mm]

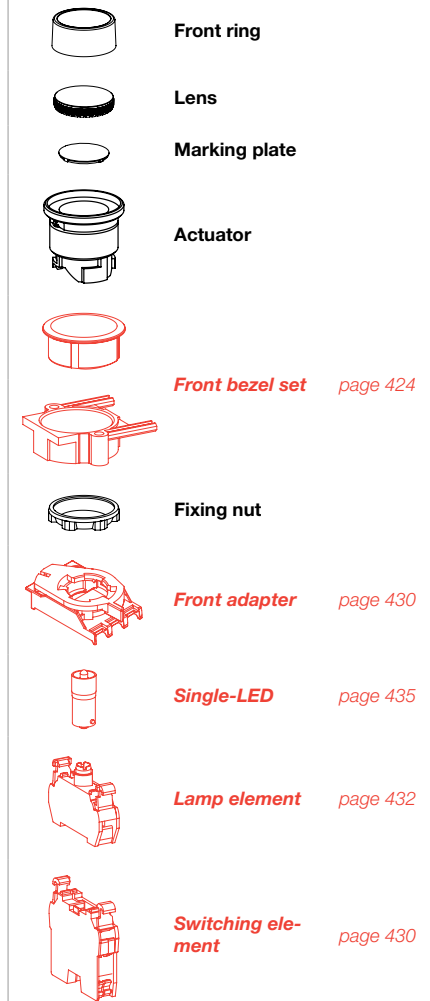
Additional Information

- For front dimensions 36 x 36 mm, Ø 36 mm
- Markable with text plate translucent white
- Up to 3 switching elements with maintain action




Mounting cut-outs [mm]

Equipment consisting of (schematic overview)



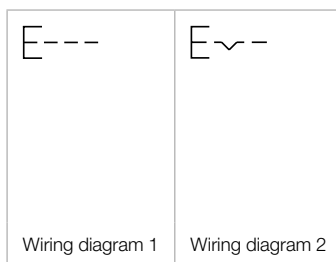
Each Part Number listed below includes all the black components shown in the 3D-drawing.

To obtain a complete unit, please select the red components from the pages shown.

Front ring	Lens	Switching action	Part No.	Wiring diagram	Weight
 Illuminated pushbutton actuator	Plastic red	B	44-746.62	1	0.012 kg
	Plastic yellow	B	44-746.64	1	0.012 kg
	Plastic green	B	44-746.65	1	0.012 kg
	Plastic blue	B	44-746.66	1	0.012 kg
	Plastic white	B	44-746.69	1	0.012 kg
Plastic matt chrome	Plastic red	B	44-746.22	1	0.012 kg
	Plastic yellow	B	44-746.24	1	0.012 kg
	Plastic green	B	44-746.25	1	0.012 kg
	Plastic blue	B	44-746.26	1	0.012 kg
	Plastic white	B	44-746.29	1	0.012 kg

Front ring	Lens	Switching action	Part No.	Wiring diagram	Weight
Plastic matt grey	Plastic red	C	44-747.62	2	0.012 kg
	Plastic yellow	C	44-747.64	2	0.012 kg
	Plastic green	C	44-747.65	2	0.012 kg
	Plastic blue	C	44-747.66	2	0.012 kg
	Plastic white	C	44-747.69	2	0.012 kg
Plastic matt chrome	Plastic red	C	44-747.22	2	0.012 kg
	Plastic yellow	C	44-747.24	2	0.012 kg
	Plastic green	C	44-747.25	2	0.012 kg
	Plastic blue	C	44-747.26	2	0.012 kg
	Plastic white	C	44-747.29	2	0.012 kg

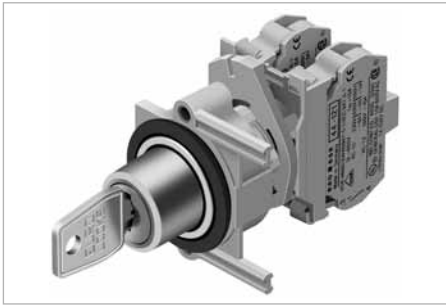
Switching action: B = Momentary, C = Maintain



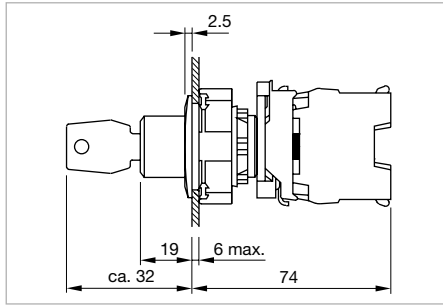
- 01
- 02
- 03
- 04
- 10
- 14
- 17
- 18
- 19
- 22
- 31
- 41
- 44**
- 51
- 56
- 57
- 61
- 70
- 71
- 82
- 84
- 92
- 95
- 96
- 97
- 99
- ST

44 Flush design

Keylock switch 2 positions, IP 65

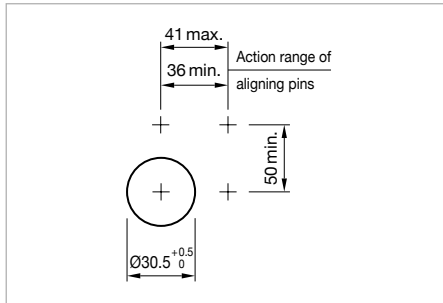


Product can differ from the current configuration.

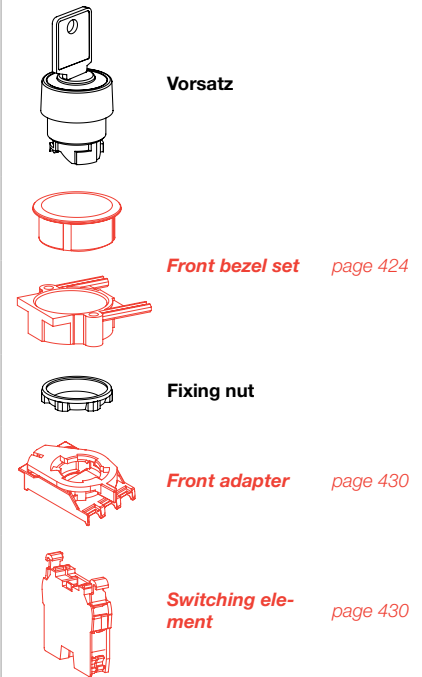


Additional Information

- For front dimensions 36 x 36 mm, Ø 36 mm
- The standard lock: Euro-Locks 9500
- Two keys are supplied with each key lock switch
- Optional lock numbers on request
- Up to 3 switching elements at 1. level with maintain action

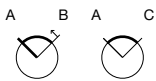


Equipment consisting of (schematic overview)




Each Part Number listed below includes all the black components shown in the 3D-drawing.

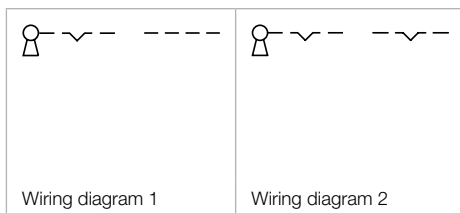
To obtain a complete unit, please select the red components from the pages shown.



Switching positions (A = Rest, B = Momentary, C = Maintained)

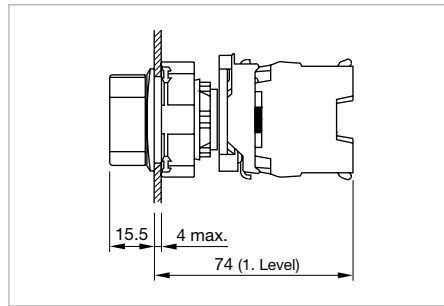
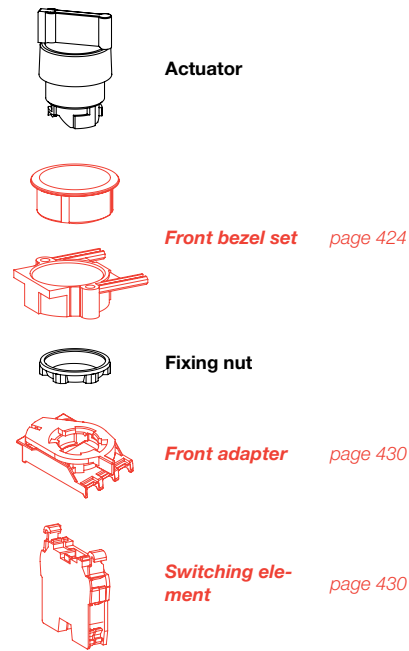
Front ring	Switching action	Switching angle	Key remove	Part No.	Component layout	Wiring diagram	Weight	
 <p>Keylock switch actuator 2 positions</p>	Plastic matt chrome	A - B	B = 90°	A	44-732.21	5	1	0.051 kg
	Plastic matt grey	A - B	B = 90°	A	44-732.61	5	1	0.051 kg
	Plastic matt chrome	A - C	C = 90°	A	44-730.21	5	2	0.051 kg
				A + C	44-730.22	5	2	0.051 kg
	Plastic matt grey	A - C	C = 90°	A	44-730.61	5	2	0.051 kg
				A + C	44-730.62	5	2	0.051 kg

Switching action: A = Rest, B = Momentary, C = Maintain
The component layouts you will find from page 442

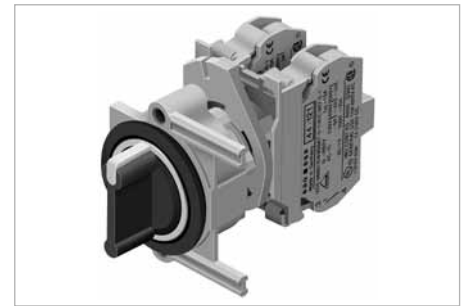


Selector switch 2 positions, IP 65

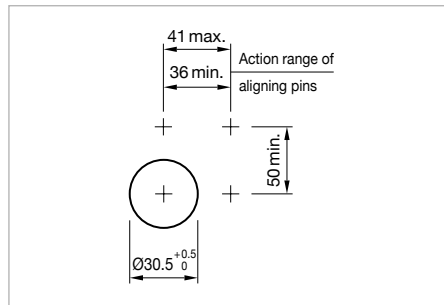
Equipment consisting of (schematic overview)



Dimensions [mm]



Product can differ from the current configuration.



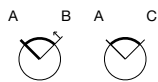
Mounting cut-outs [mm]

Additional Information


- For front dimensions 36 x 36 mm, Ø 36 mm
- Up to 3 switching elements at 1. level

Each Part Number listed below includes all the black components shown in the 3D-drawing.

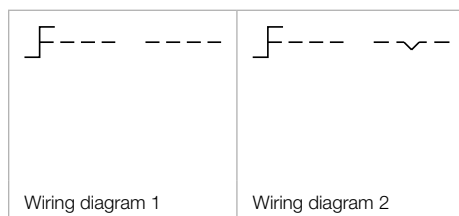
To obtain a complete unit, please select the red components from the pages shown.



Switching positions (A = Rest, B = Momentary, C = Maintained)

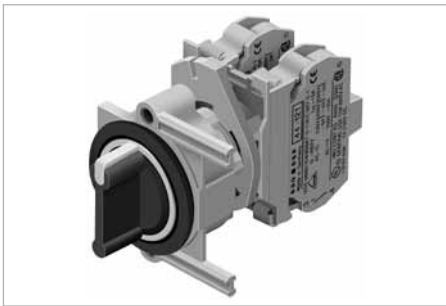
Lever	Front ring	Switching action	Switching angle	Part No.	Component layout	Wiring diagram	Weight
 <h3>Selector switch actuator 2 positions</h3>							
Plastic black	Plastic matt chrome	A - B	B = 90°	44-722.20	5	1	0.021 kg
Plastic grey	Plastic matt grey	A - B	B = 90°	44-722.68	5	1	0.021 kg
Plastic black	Plastic matt chrome	A - C	C = 90°	44-720.20	5	2	0.021 kg
Plastic red	Plastic matt chrome	A - C	C = 90°	44-720.22	5	2	0.021 kg
	Plastic matt grey	A - C	C = 90°	44-720.62	5	2	0.021 kg
Plastic grey	Plastic matt grey	A - C	C = 90°	44-720.68	5	2	0.021 kg

Switching action: A = Rest, B = Momentary, C = Maintain
The component layouts you will find from page 442

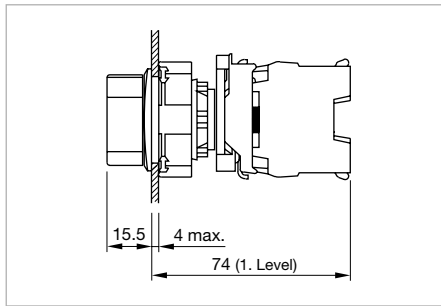


44 Flush design

Selector switch 3 positions, IP 65



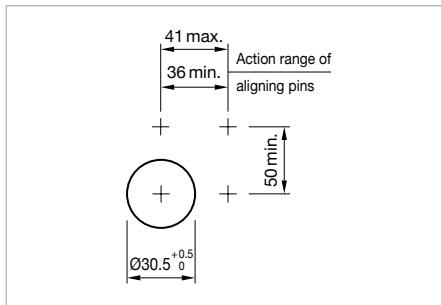
Product can differ from the current configuration.



Dimensions [mm]

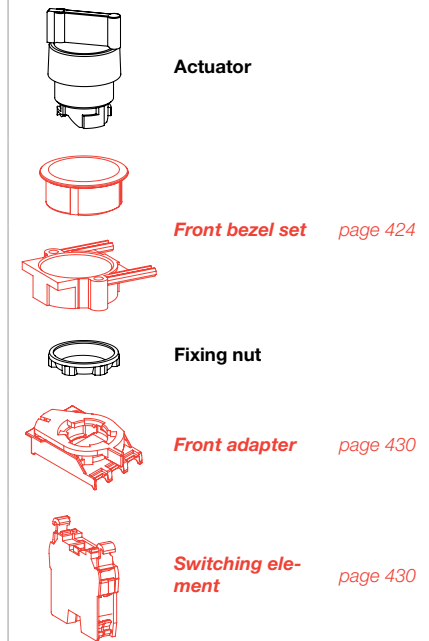
Additional Information

- For front dimensions 36 x 36 mm, Ø 36 mm
- Up to 3 switching elements at 1. level



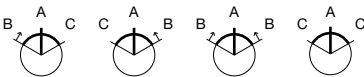
Mounting cut-outs [mm]

Equipment consisting of (schematic overview)




Each Part Number listed below includes all the black components shown in the 3D-drawing.

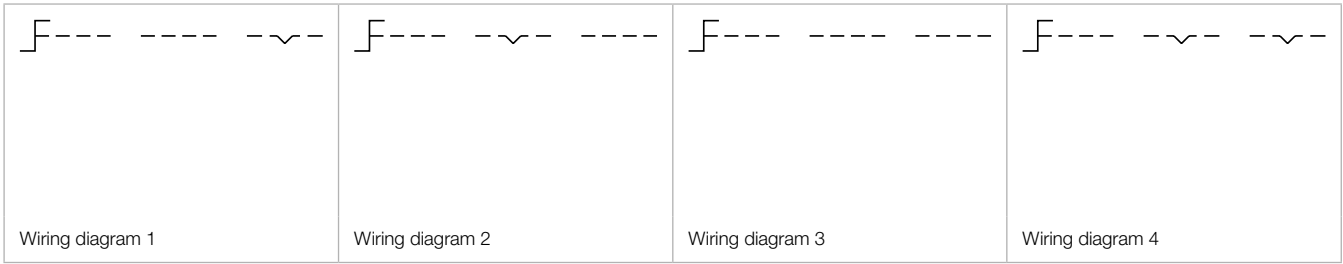
To obtain a complete unit, please select the red components from the pages shown.



Switching positions (A = Rest, B = Momentary, C = Maintained)

Lever	Front ring	Switching action	Switching angle	Part No.	Component layout	Wiring diagram	Weight
	Selector switch actuator 3 positions						
Plastic black	Plastic matt chrome	B - A - C	B = 60°, C = 60°	44-727.20	4	1	0.021 kg
Plastic grey	Plastic matt grey	B - A - C	B = 60°, C = 60°	44-727.68	4	1	0.021 kg
Plastic black	Plastic matt chrome	C - A - B	C = 60°, B = 60°	44-726.20	4	2	0.021 kg
Plastic grey	Plastic matt grey	C - A - B	C = 60°, B = 60°	44-726.68	4	2	0.021 kg
Plastic black	Plastic matt chrome	B - A - B	B = 60° / 60°	44-725.20	4	3	0.021 kg
Plastic grey	Plastic matt grey	B - A - B	B = 60° / 60°	44-725.68	4	3	0.021 kg
Plastic black	Plastic matt chrome	C - A - C	C = 60° / 60°	44-724.20	4	4	0.021 kg
Plastic grey	Plastic matt grey	C - A - C	C = 60° / 60°	44-724.68	4	4	0.021 kg

Switching action: A = Rest, B = Momentary, C = Maintain
The component layouts you will find from page 442



- 01
- 02
- 03
- 04
- 10
- 14
- 17
- 18
- 19
- 22
- 31
- 41
- 44**
- 51
- 56
- 57
- 61
- 70
- 71
- 82
- 84
- 92
- 95
- 96
- 97
- 99
- ST

44 Flush design

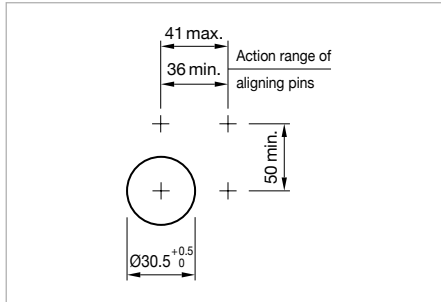
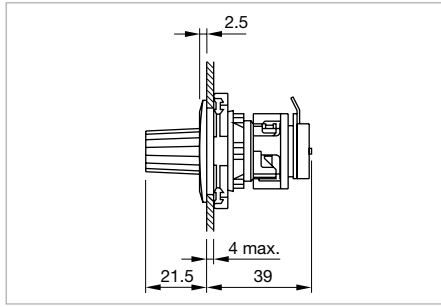
Potentiometer, IP 65



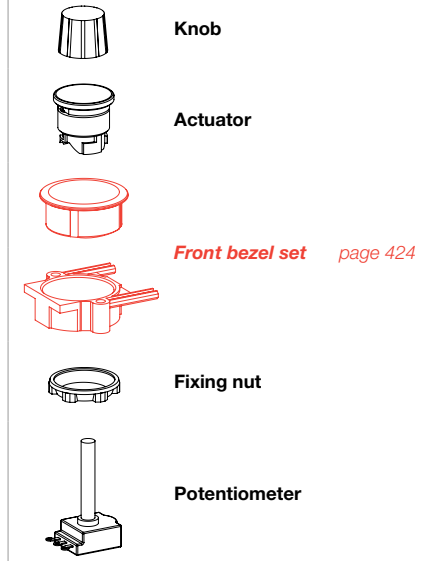
Product can differ from the current configuration.

Additional Information

- For front dimensions 36 x 36 mm, Ø 36 mm
- Resistor 10 kOhm / linear, series E3
- Power 0.4 W
- Slewing range 300°




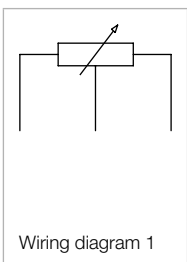
Equipment consisting of (schematic overview)



Each Part Number listed below includes all the black components shown in the 3D-drawing.

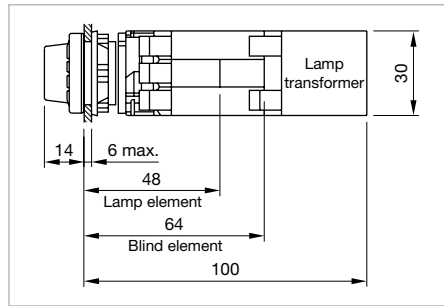
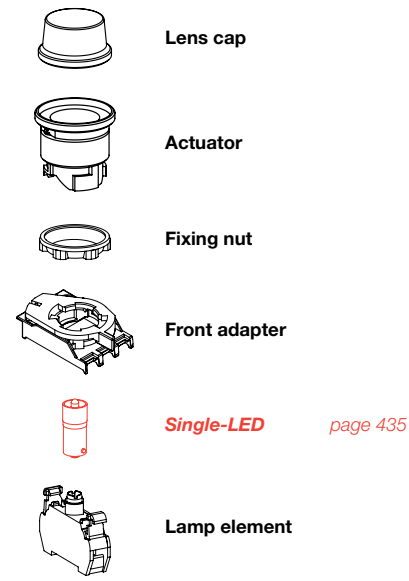
To obtain a complete unit, please select the red components from the pages shown.

Product attribute	Front ring	Terminal	Part No.	Wiring diagram	Weight
 <p>Potentiometer</p>	Plastic matt chrome	Solder	44-745.20-10K1	1	0.030 kg
	Plastic matt grey	Solder	44-745.60-10K1	1	0.030 kg
without potentiometer, specification for potentiometer: Shaft = length 32 mm, shaft end = Form A, Ø = 6 mm	Plastic matt chrome		44-744.20		0.016 kg
	Plastic matt grey		44-744.60		0.016 kg



Indicator full-face illumination complete, IP 65

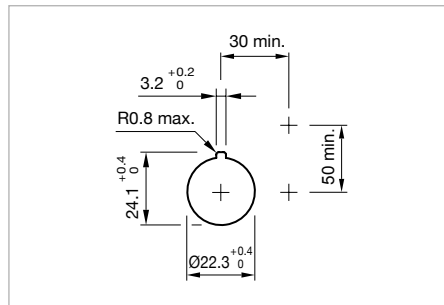
Equipment consisting of (schematic overview)



Dimensions [mm]



Product can differ from the current configuration.




Mounting cut-outs [mm]

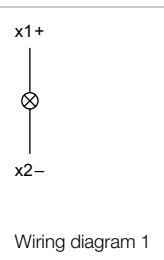
Additional Information

- Non-markable

Each Part Number listed below includes all the black components shown in the 3D-drawing.

To obtain a complete unit, please select the red components from the pages shown.

Front ring	Lens cap	Terminal	Part No.	Wiring diagram	Weight
 <p>Indicator full-face illumination complete, Front dimension Ø 28 mm</p>					
Plastic matt chrome	Plastic red	Screw	44-750.22.000	1	0.025 kg
	Plastic yellow	Screw	44-750.24.000	1	0.025 kg
	Plastic green	Screw	44-750.25.000	1	0.025 kg
	Plastic colourless	Screw	44-750.27.000	1	0.025 kg

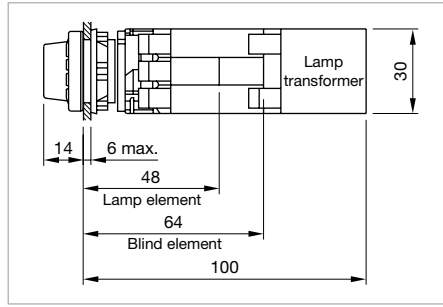


44 Raised design

Indicator full face illumination, IP 65

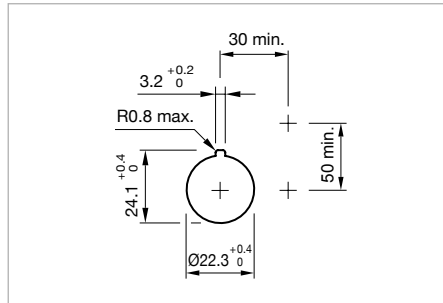


Product can differ from the current configuration.

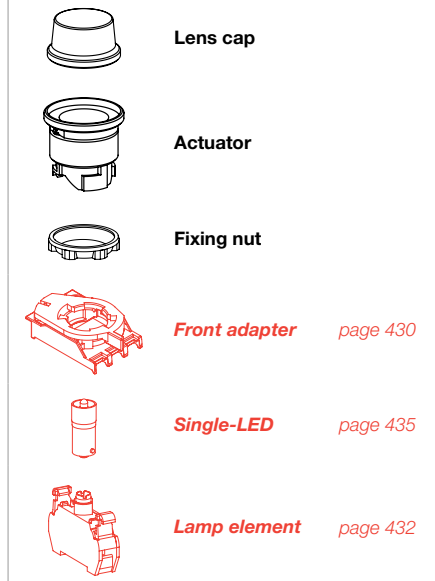


Additional Information

- Non-markable




Equipment consisting of (schematic overview)







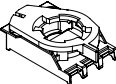

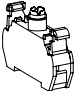
Each Part Number listed below includes all the black components shown in the 3D-drawing.

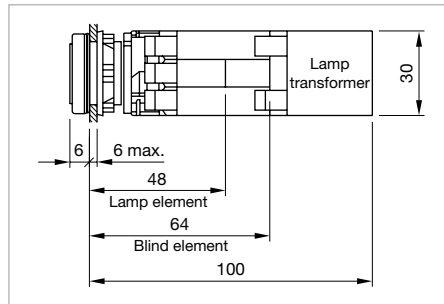
To obtain a complete unit, please select the red components from the pages shown.

Front ring	Lens cap	Part No.	Weight
 <p>Indicator actuator full-face illumination, Front dimension Ø 28 mm</p>	Plastic red	44-750.62	0.008 kg
	Plastic yellow	44-750.64	0.008 kg
	Plastic green	44-750.65	0.008 kg
	Plastic blue	44-750.66	0.008 kg
	Plastic colourless	44-750.67	0.008 kg
Plastic matt chrome	Plastic red	44-750.22	0.008 kg
	Plastic yellow	44-750.24	0.008 kg
	Plastic green	44-750.25	0.008 kg
	Plastic blue	44-750.26	0.008 kg
	Plastic colourless	44-750.27	0.008 kg

Indicator front illumination complete, IP 65

Equipment consisting of (schematic overview)

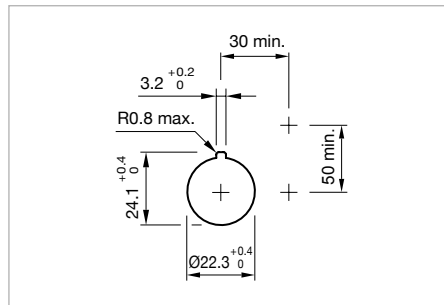
-  **Lens cap**
-  **Marking plate**
-  **Actuator**
-  **Fixing nut**
-  **Front adapter**
-  **Single-LED** *page 435*
-  **Lamp element**



Dimensions [mm]



Product can differ from the current configuration.




Mounting cut-outs [mm]

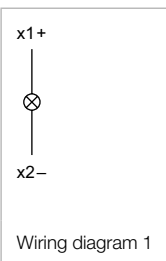
Additional Information

- Markable with text plate translucent white

Each Part Number listed below includes all the black components shown in the 3D-drawing.

To obtain a complete unit, please select the red components from the pages shown.

Front ring	Lens cap	Terminal	Part No.	Wiring diagram	Weight
 <p>Indicator front illumination complete, Front dimension Ø 28 mm</p>	Plastic red	Screw	44-751.22.000	1	0.025 kg
	Plastic yellow	Screw	44-751.24.000	1	0.025 kg
	Plastic green	Screw	44-751.25.000	1	0.025 kg
	Plastic white	Screw	44-751.29.000	1	0.025 kg

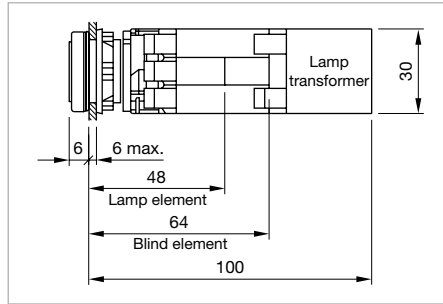


44 Raised design

Indicator front illumination, IP 65

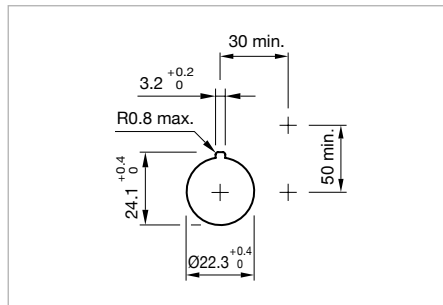


Product can differ from the current configuration.

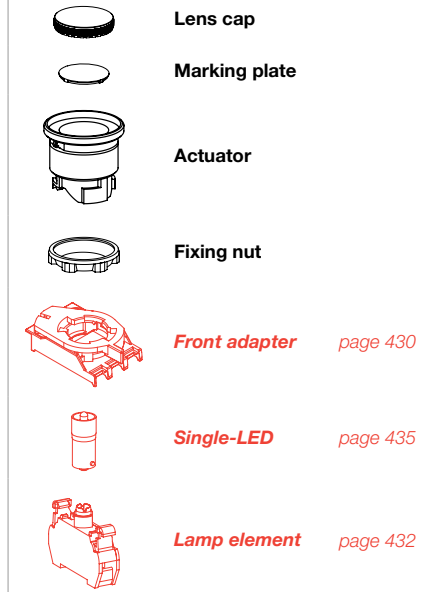


Additional Information

- Markable with text plate translucent white




Equipment consisting of (schematic overview)

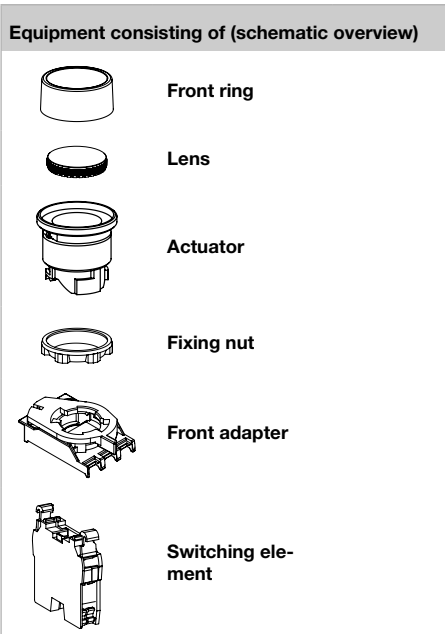


Each Part Number listed below includes all the black components shown in the 3D-drawing.

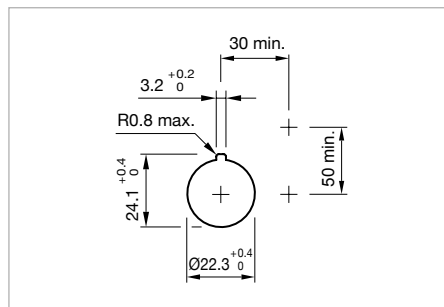
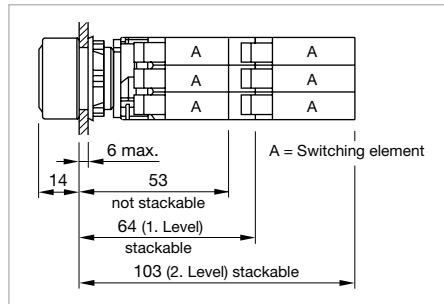
To obtain a complete unit, please select the red components from the pages shown.

Front ring	Lens cap	Part No.	Weight
 Indicator actuator front illumination, Front dimension Ø 28 mm	Plastic red	44-751.62	0.007 kg
	Plastic yellow	44-751.64	0.007 kg
	Plastic green	44-751.65	0.007 kg
	Plastic blue	44-751.66	0.007 kg
	Plastic white	44-751.69	0.007 kg
Plastic matt chrome	Plastic red	44-751.22	0.007 kg
	Plastic yellow	44-751.24	0.007 kg
	Plastic green	44-751.25	0.007 kg

Pushbutton complete, IP 65




Each Part Number listed below includes all the black components shown in the 3D-drawing.



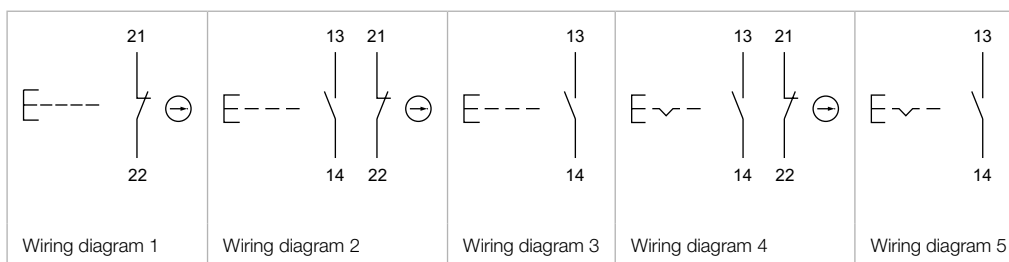
Product can differ from the current configuration.

Additional Information

- Switching system slow-make element
- Non-markable

Front ring	Lens	Contacts	Switching action	Terminal	Part No.	Wiring diagram	Weight
 <p>Pushbutton complete, Front dimension Ø 28 mm</p>							
Plastic matt chrome	Plastic red	1 NC	B	Screw	44-701.22.001	1	0.030 kg
	Plastic black	1 NC + 1 NO	B	Screw	44-701.20.100	2	0.037 kg
	Plastic yellow	1 NO	B	Screw	44-701.24.010	3	0.030 kg
	Plastic green	1 NO	B	Screw	44-701.25.010	3	0.030 kg
	Plastic white	1 NO	B	Screw	44-701.29.010	3	0.030 kg
	Plastic black	1 NC + 1 NO	C	Screw	44-702.20.100	4	0.037 kg
	Plastic green	1 NO	C	Screw	44-702.25.010	5	0.030 kg

Contacts: NC = Normally closed, NO = Normally open
Switching action: B = Momentary, C = Maintain

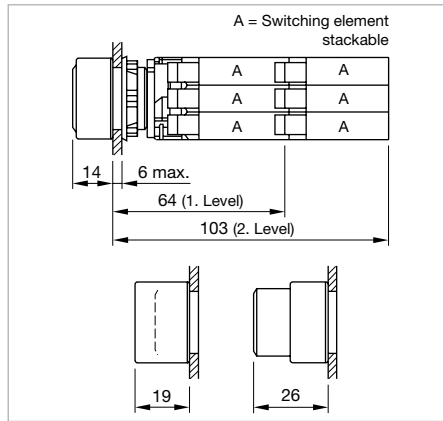


44 Raised design

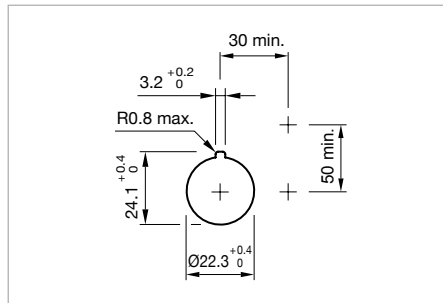
Pushbutton, IP 65



Product can differ from the current configuration.

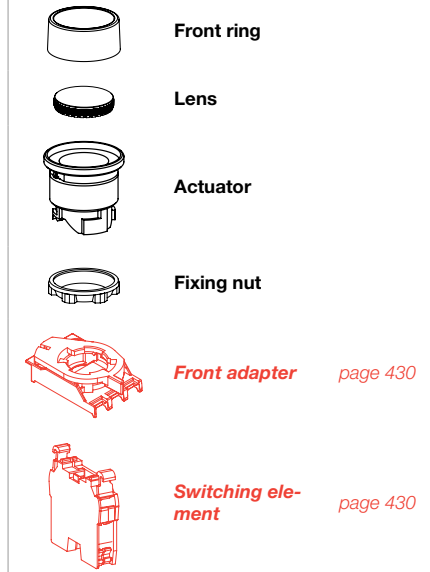


Dimensions [mm]



Mounting cut-outs [mm]

Equipment consisting of (schematic overview)




Each Part Number listed below includes all the black components shown in the 3D-drawing.

To obtain a complete unit, please select the red components from the pages shown.

Additional Information

- Non-markable
- Up to 3 switching elements with maintain action

Mounting type	Front ring	Lens	Switching action	Part No.	Wiring diagram	Weight
 <p>Pushbutton actuator, Front dimension Ø 28 mm</p>	Plastic matt chrome	Plastic black	B	44-701.20	1	0.013 kg
		Plastic red	B	44-701.22	1	0.013 kg
		Plastic yellow	B	44-701.24	1	0.013 kg
		Plastic green	B	44-701.25	1	0.013 kg
		Plastic blue	B	44-701.26	1	0.013 kg
		Plastic white	B	44-701.29	1	0.013 kg
	Plastic matt grey	Plastic black	B	44-701.60	1	0.013 kg
		Plastic red	B	44-701.62	1	0.013 kg
		Plastic yellow	B	44-701.64	1	0.013 kg
		Plastic green	B	44-701.65	1	0.013 kg
		Plastic blue	B	44-701.66	1	0.013 kg
		Plastic white	B	44-701.69	1	0.013 kg
	Plastic matt chrome	Plastic black	C	44-702.20	2	0.013 kg
		Plastic red	C	44-702.22	2	0.013 kg
		Plastic yellow	C	44-702.24	2	0.013 kg
		Plastic green	C	44-702.25	2	0.013 kg
		Plastic blue	C	44-702.26	2	0.013 kg
		Plastic white	C	44-702.29	2	0.013 kg
	Plastic matt grey	Plastic black	C	44-702.60	2	0.013 kg
		Plastic red	C	44-702.62	2	0.013 kg
		Plastic yellow	C	44-702.64	2	0.013 kg

Mounting type	Front ring	Lens	Switching action	Part No.	Wiring diagram	Weight
level with bezel	Plastic matt grey	Plastic green	C	44-702.65	2	0.013 kg
		Plastic blue	C	44-702.66	2	0.013 kg
		Plastic white	C	44-702.69	2	0.013 kg



Pushbutton actuator, Front dimension Ø 28 mm

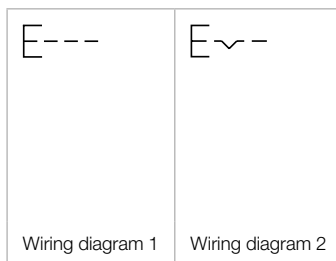
lower than bezel	Plastic matt chrome	Plastic black	B	44-703.20	1	0.013 kg
		Plastic red	B	44-703.22	1	0.013 kg
		Plastic yellow	B	44-703.24	1	0.013 kg
		Plastic green	B	44-703.25	1	0.013 kg
		Plastic blue	B	44-703.26	1	0.013 kg
		Plastic white	B	44-703.29	1	0.013 kg
	Plastic matt grey	Plastic black	B	44-703.60	1	0.013 kg
		Plastic red	B	44-703.62	1	0.013 kg
		Plastic yellow	B	44-703.64	1	0.013 kg
		Plastic green	B	44-703.65	1	0.013 kg
		Plastic blue	B	44-703.66	1	0.013 kg
		Plastic white	B	44-703.69	1	0.013 kg



Pushbutton actuator, Front dimension Ø 28 mm

raised above bezel	Plastic matt chrome	Plastic black	B	44-704.20	1	0.013 kg
		Plastic red	B	44-704.22	1	0.013 kg
		Plastic yellow	B	44-704.24	1	0.013 kg
		Plastic green	B	44-704.25	1	0.013 kg
		Plastic blue	B	44-704.26	1	0.013 kg
		Plastic white	B	44-704.29	1	0.013 kg
	Plastic matt grey	Plastic black	B	44-704.60	1	0.013 kg
		Plastic red	B	44-704.62	1	0.013 kg
		Plastic yellow	B	44-704.64	1	0.013 kg
		Plastic green	B	44-704.65	1	0.013 kg
		Plastic blue	B	44-704.66	1	0.013 kg
		Plastic white	B	44-704.69	1	0.013 kg

Switching action: B = Momentary, C = Maintain

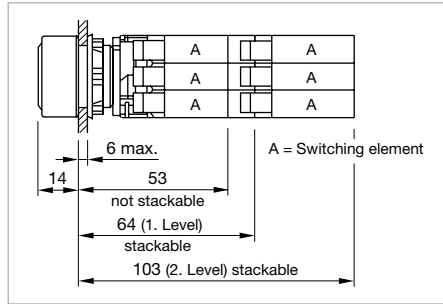


44 Raised design

Pushbutton markable, IP 65



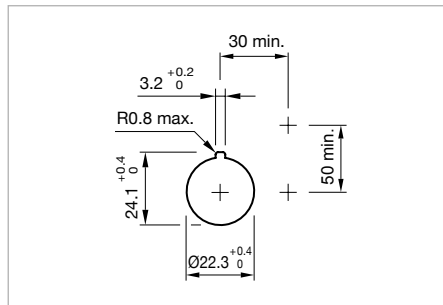
Product can differ from the current configuration.



Dimensions [mm]

Additional Information

- Colour of lens is determined by the colour of text plate, up to 3 Switching elements max.



Mounting cut-outs [mm]

Equipment consisting of (schematic overview)



Front ring



Lens



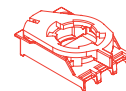
Marking plate [page 423](#)



Actuator



Fixing nut



Front adapter [page 430](#)



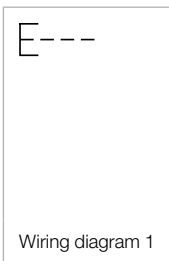
Switching element [page 430](#)

Each Part Number listed below includes all the black components shown in the 3D-drawing.

To obtain a complete unit, please select the red components from the pages shown.

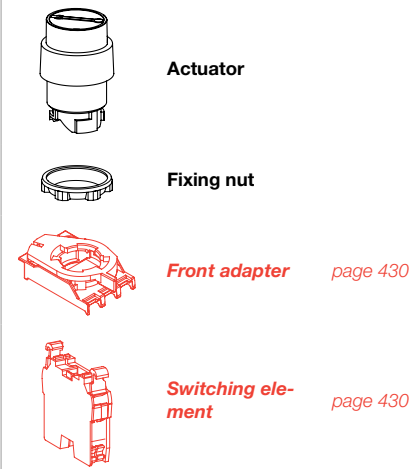
Front ring	Lens	Switching action	Part No.	Wiring diagram	Weight
Pushbutton actuator markable, Front dimension Ø 28 mm					
Plastic matt chrome	Plastic colourless	B	44-701.27	1	0,012 kg

Switching action: B = Momentary



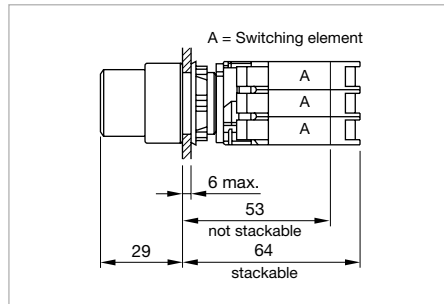
Pushbutton lockable, IP 65

Equipment consisting of (schematic overview)

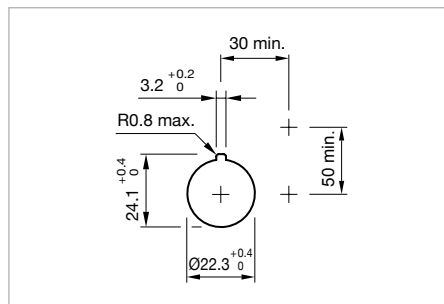


Each Part Number listed below includes all the black components shown in the 3D-drawing.

To obtain a complete unit, please select the red components from the page s shown.



Dimensions [mm]



Mounting cut-outs [mm]



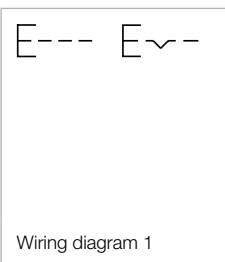
Product can differ from the current configuration.

Additional Information

- In activated state locked by turning to the right, otherwise momentary action
- Up to 3 switching elements at 1. level

Lever	Front ring	Switching action	Part No.	Wiring diagram	Weight
Pushbutton actuator lockable, Front dimension Ø 28 mm					
Plastic black	Plastic matt chrome	B - C	44-742.20	1	0.020 kg
Plastic red	Plastic matt chrome	B - C	44-742.22	1	0.020 kg

Switching action: B = Momentary, C = Maintain



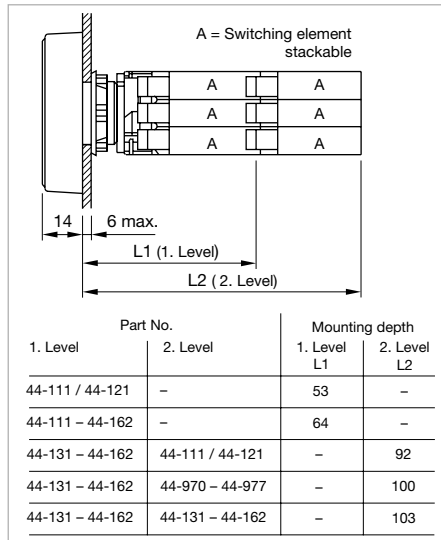
01
02
03
04
10
14
17
18
19
22
31
41
44
51
56
57
61
70
71
82
84
92
95
96
97
99
ST

44 Raised design

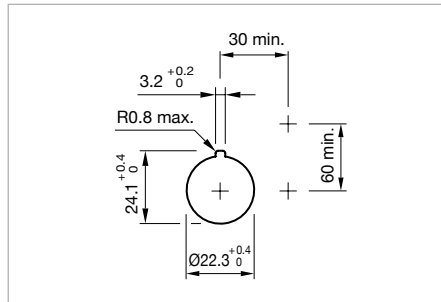
Double pushbutton, IP 65



Product can differ from the current configuration.

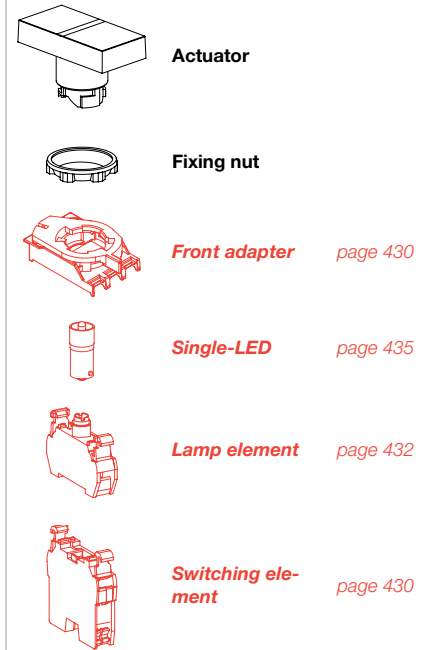


Dimensions [mm]



Mounting cut-outs [mm]

Equipment consisting of (schematic overview)



Each Part Number listed below includes all the black components shown in the 3D-drawing.

To obtain a complete unit, please select the red components from the pages shown.

Additional Information

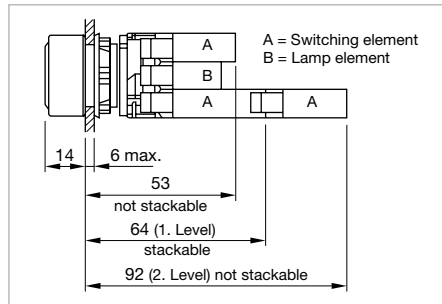
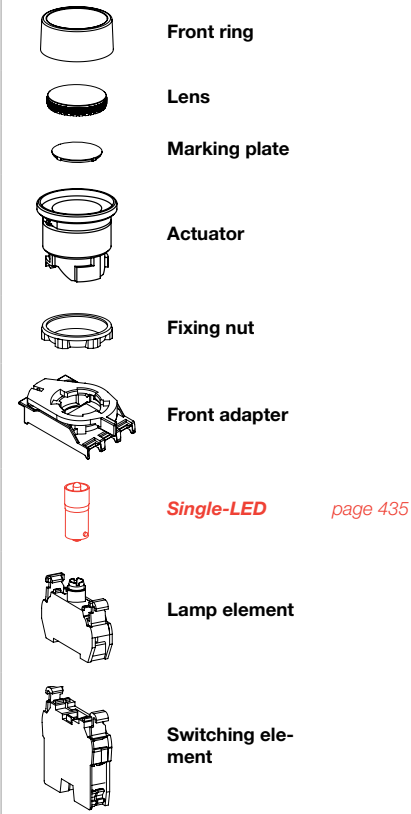
- With illuminative centre window

Front bezel	Lens	Marking	Switching action	Part No.	Component layout	Weight
<p>Double pushbutton actuator, Front dimension 29.5 x 56 mm</p>	Plastic green-red		B	44-770.2	3	0.018 kg
		I - 0	B	44-771.2	3	0.018 kg
	Plastic white-black		B	44-773.2	3	0.018 kg
		I - 0	B	44-774.2	3	0.018 kg

Switching action: B = Momentary
The component layouts you will find from page 442

Illuminated pushbutton complete, IP 65

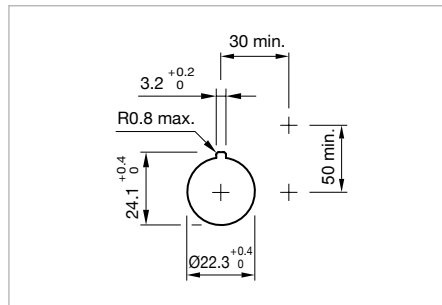
Equipment consisting of (schematic overview)



Dimensions [mm]



Product can differ from the current configuration.




Mounting cut-outs [mm]

Additional Information

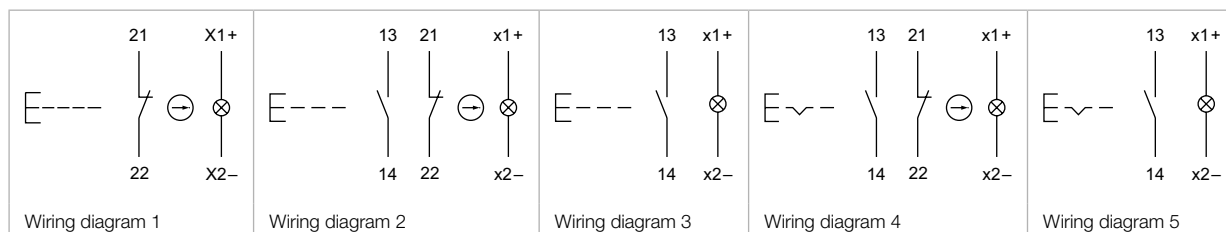
- Switching system slow-make element
- Markable

Each Part Number listed below includes all the black components shown in the 3D-drawing.

To obtain a complete unit, please select the red components from the page s shown.

Front ring	Lens	Contacts	Switching action	Terminal	Part No.	Wiring diagram	Weight
 Illuminated pushbutton complete, Front dimension Ø 28 mm							
Plastic matt chrome	Plastic red	1 NC	B	Screw	44-746.22.001	1	0.040 kg
	Plastic white	1 NC + 1 NO	B	Screw	44-746.29.100	2	0.047 kg
	Plastic yellow	1 NO	B	Screw	44-746.24.010	3	0.040 kg
	Plastic green	1 NO	B	Screw	44-746.25.010	3	0.040 kg
	Plastic white	1 NC + 1 NO	C	Screw	44-747.29.100	4	0.047 kg
	Plastic green	1 NO	C	Screw	44-747.25.010	5	0.040 kg

Contacts: NC = Normally closed, NO = Normally open
Switching action: B = Momentary, C = Maintain

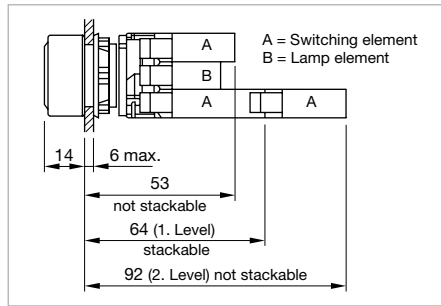


44 Raised design

Illuminated pushbutton, IP 65



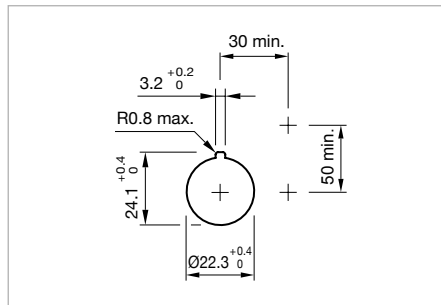
Product can differ from the current configuration.



Dimensions [mm]

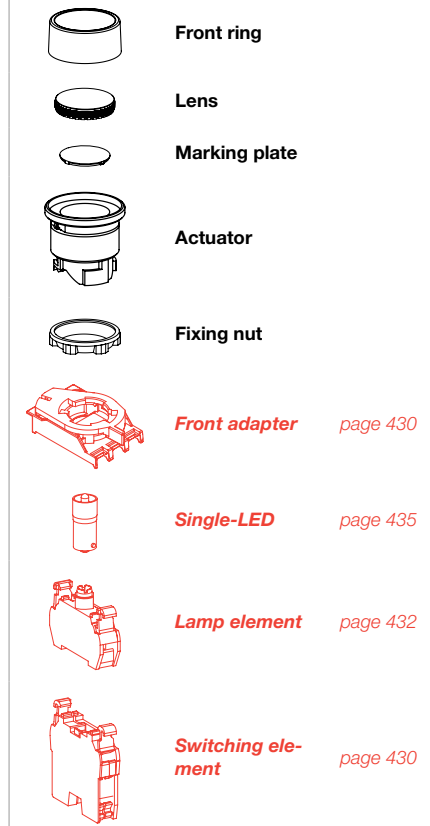
Additional Information

- Markable with text plate translucent white
- Up to 3 switching elements with maintain action



Mounting cut-outs [mm]

Equipment consisting of (schematic overview)



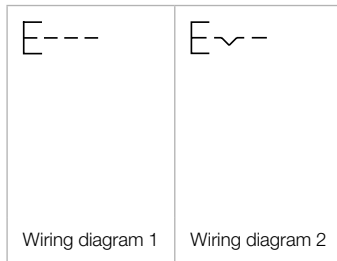
Each Part Number listed below includes all the black components shown in the 3D-drawing.

To obtain a complete unit, please select the red components from the pages shown.

Front ring	Lens	Switching action	Part No.	Wiring diagram	Weight
<p>Illuminated pushbutton actuator, Front dimension Ø 28 mm</p>					
Plastic matt grey	Plastic red	B	44-746.62	1	0.012 kg
	Plastic yellow	B	44-746.64	1	0.012 kg
	Plastic green	B	44-746.65	1	0.012 kg
	Plastic blue	B	44-746.66	1	0.012 kg
	Plastic white	B	44-746.69	1	0.012 kg
Plastic matt chrome	Plastic red	B	44-746.22	1	0.012 kg
	Plastic yellow	B	44-746.24	1	0.012 kg
	Plastic green	B	44-746.25	1	0.012 kg
	Plastic blue	B	44-746.26	1	0.012 kg
	Plastic white	B	44-746.29	1	0.012 kg
Plastic matt grey	Plastic red	C	44-747.62	2	0.012 kg
	Plastic yellow	C	44-747.64	2	0.012 kg
	Plastic green	C	44-747.65	2	0.012 kg
	Plastic blue	C	44-747.66	2	0.012 kg

Front ring	Lens	Switching action	Part No.	Wiring diagram	Weight
Plastic matt grey	Plastic white	C	44-747.69	2	0.012 kg
Plastic matt chrome	Plastic red	C	44-747.22	2	0.012 kg
	Plastic yellow	C	44-747.24	2	0.012 kg
	Plastic green	C	44-747.25	2	0.012 kg
	Plastic blue	C	44-747.26	2	0.012 kg
	Plastic white	C	44-747.29	2	0.012 kg

Switching action: B = Momentary, C = Maintain



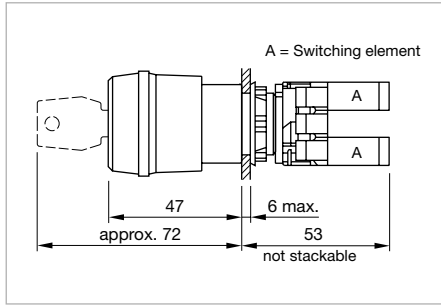
- 01
- 02
- 03
- 04
- 10
- 14
- 17
- 18
- 19
- 22
- 31
- 41
- 44**
- 51
- 56
- 57
- 61
- 70
- 71
- 82
- 84
- 92
- 95
- 96
- 97
- 99
- ST

44 Raised design

Emergency-stop switch complete, foolproof EN IEC 60947-5-5, IP 65



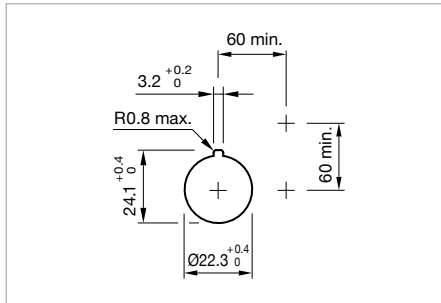
Product can differ from the current configuration.



Dimensions [mm]

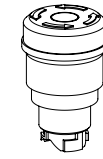
Additional Information

- Switching system slow-make element
- Anwendung nach DIN EN ISO 13850 und EN 60204-1
- Shaft yellow
- The standard lock: Euro-Locks 9500
- Two keys are supplied with each key lock switch
- Optional lock numbers on request



Mounting cut-outs [mm]

Equipment consisting of (schematic overview)



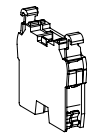
Vorsatz



Fixing nut





Front adapter

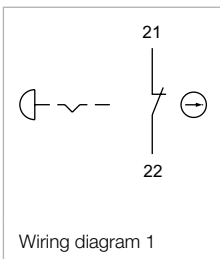


Switching element

Each Part Number listed below includes all the black components shown in the 3D-drawing.

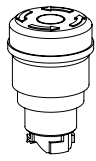
Product attribute	Lens	Contacts	Switching action	Terminal	Part No.	Wiring diagram	Weight
							
Emergency-stop switch complete, foolproof EN IEC 60947-5-5, Front dimension Ø 37 mm							
Twist to unlock anti-clockwise	Plastic red	1 NC	C	Screw	44-712.001	1	0.047 kg
							
Emergency-stop switch complete, foolproof EN IEC 60947-5-5, Front dimension Ø 37 mm							
Key to unlock anti-clockwise	Plastic red	1 NC	C	Screw	44-713.001	1	0.083 kg

Contacts: NC = Normally closed
Switching action: C = Maintain



Emergency-stop switch foolproof, EN IEC 60947-5-5, IP 65

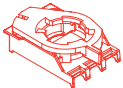
Equipment consisting of (schematic overview)



Actuator



Fixing nut



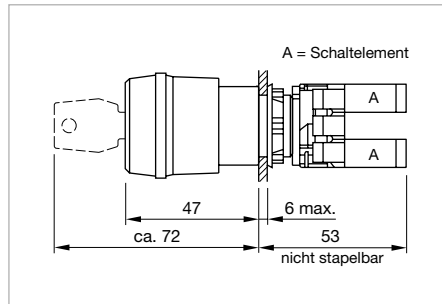
Front adapter *page 430*



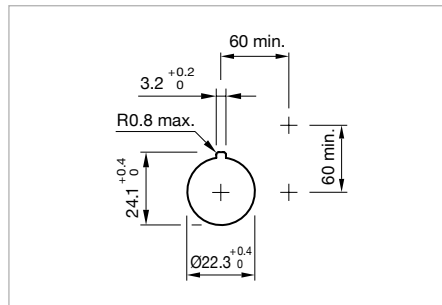
Switching element *page 430*

Each Part Number listed below includes all the black components shown in the 3D-drawing.

To obtain a complete unit, please select the red components from the pages shown.



Dimensions [mm]





Mounting cut-outs [mm]



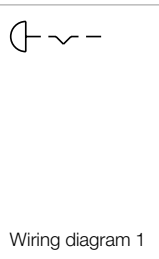
Product can differ from the current configuration.

Additional Information

- Application as per DIN EN ISO 13850 and EN 60204-1
- Shaft yellow
- The standard lock: Euro-Locks 9500
- Two keys are supplied with each key lock switch
- Optional lock numbers on request
- Up to 3 switching elements at 1. level

Product attribute	Lens	Switching action	Part No.	Wiring diagram	Weight
 Emergency-stop switch actuator, foolproof EN IEC 60947-5-5, Front dimension Ø 37 mm					
Twist to unlock anti-clockwise	Plastic red	C	44-712	1	0.040 kg
 Emergency-stop switch actuator, foolproof EN IEC 60947-5-5, Front dimension Ø 37 mm					
Key to unlock anti-clockwise	Plastic red	C	44-713	1	0.066 kg

Switching action: C = Maintain

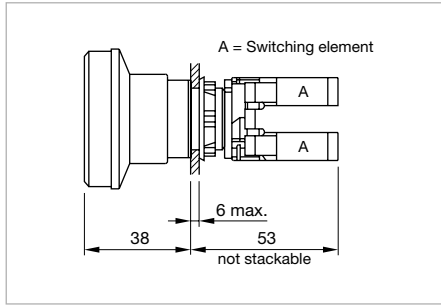


44 Raised design

Stop switch complete, IP 65



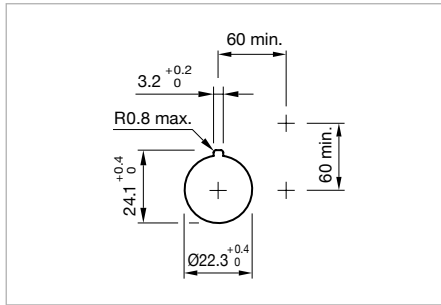
Product can differ from the current configuration.



Dimensions [mm]

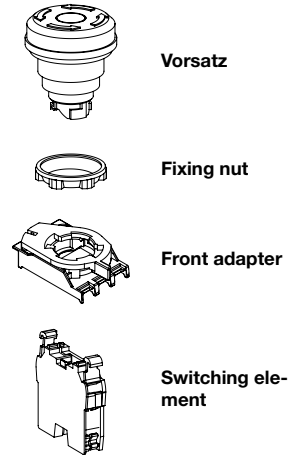
Additional Information

- Switching system slow-make element
- Shaft yellow
- Twist to unlock anti-clockwise



Mounting cut-outs [mm]

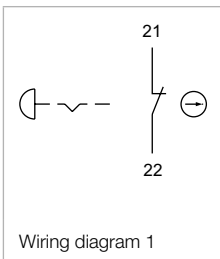
Equipment consisting of (schematic overview)



Each Part Number listed below includes all the black components shown in the 3D-drawing.

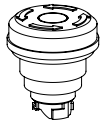
Lens	Contacts	Switching action	Terminal	Part No.	Wiring diagram	Weight
Stop switch complete, Front dimension Ø 50 mm						
Plastic red	1 NC	C	Screw	44-710.001	1	0.057 kg

Contacts: NC = Normally closed
Switching action: C = Maintain



Stop switch, IP 65

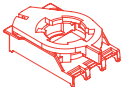
Equipment consisting of (schematic overview)



Actuator



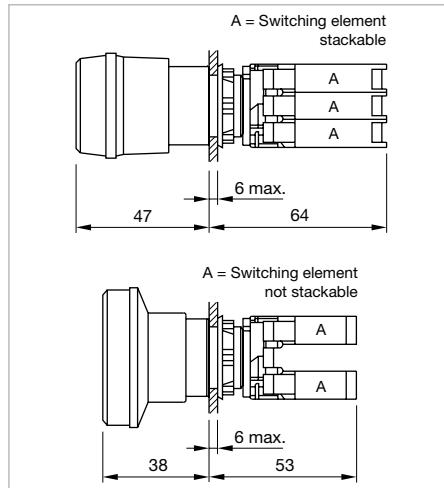
Fixing nut



Front adapter *page 430*



Switching element *page 430*



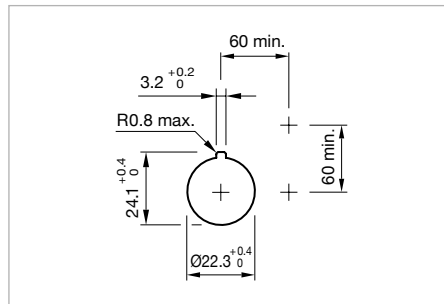
Dimensions [mm]



Product can differ from the current configuration.

Each Part Number listed below includes all the black components shown in the 3D-drawing.

To obtain a complete unit, please select the red components from the pages shown.



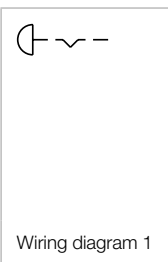
Mounting cut-outs [mm]

Additional Information

- Shaft yellow
- Twist to unlock anti-clockwise
- Up to 3 switching elements at 1. level

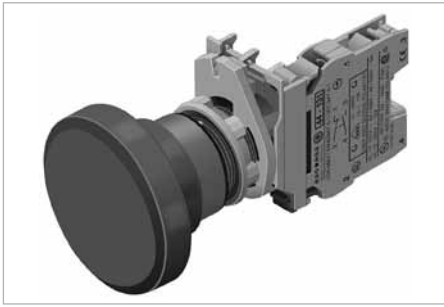
Lens	Switching action	Part No.	Wiring diagram	Weight
Stop switch actuator, Front dimension Ø 50 mm				
Plastic red	C	44-710	1	0.040 kg
Stop switch actuator, Front dimension Ø 37 mm				
Plastic red	C	44-711	1	0.035 kg

Switching action: C = Maintain

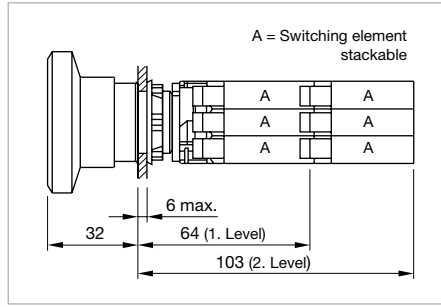


44 Raised design

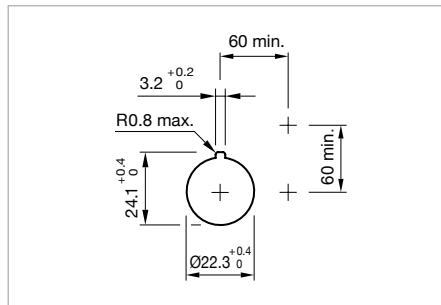
Mushroom-head pushbutton, IP 65



Product can differ from the current configuration.

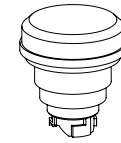


Dimensions [mm]



Mounting cut-outs [mm]

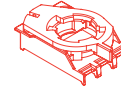
Equipment consisting of (schematic overview)



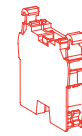
Vorsatz



Fixing nut




Front adapter *page 430*



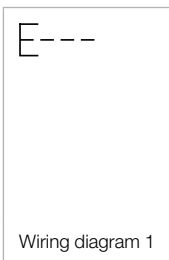
Switching element *page 430*

Each Part Number listed below includes all the black components shown in the 3D-drawing.

To obtain a complete unit, please select the red components from the pages shown.

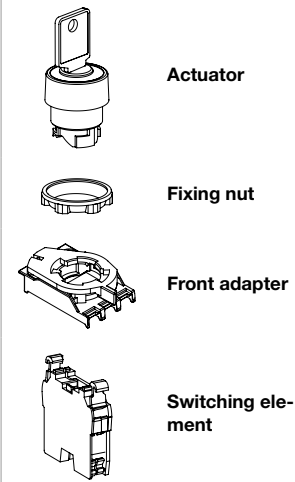
Front ring	Lens	Switching action	Part No.	Wiring diagram	Weight
 <p>Mushroom-head pushbutton actuator, Front dimension Ø 50 mm</p>					
Plastic matt chrome	Plastic black	B	44-707.20	1	0.028 kg
	Plastic red	B	44-707.22	1	0.028 kg
	Plastic green	B	44-707.25	1	0.028 kg

Switching action: B = Momentary

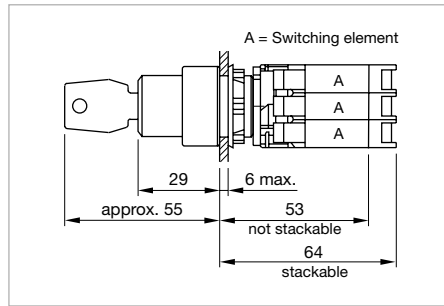


Key lock switch 2 positions complete, IP 65

Equipment consisting of (schematic overview)



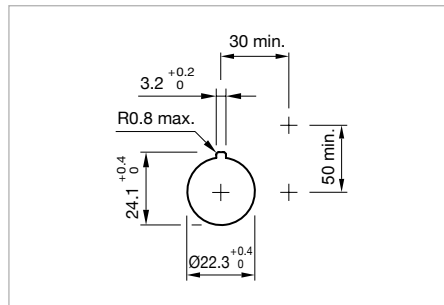
Each Part Number listed below includes all the black components shown in the 3D-drawing.



Dimensions [mm]



Product can differ from the current configuration.



Mounting cut-outs [mm]


Additional Information

- Switching system slow-make element
- Front ring plastic mattchrome
- The standard lock: Euro-Locks 9500
- Two keys are supplied with each key lock switch
- Optional lock numbers on request

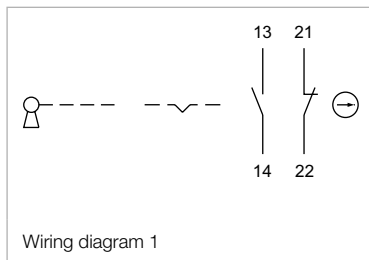
A C



Switching positions (A = Rest, C = Maintained)

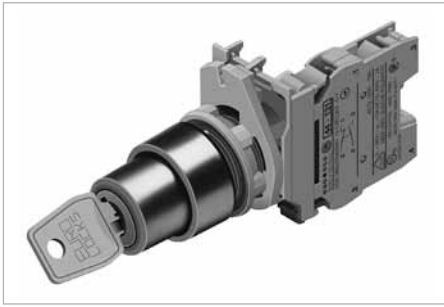
Contacts	Switching action	Switching angle	Key remove	Terminal	Part No.	Wiring diagram	Weight
 Key lock switch 2 positions complete, Front dimension Ø 28 mm							
1 NC + 1 NO	A - C	C = 90°	A	Screw	44-730.21.100	1	0.075 kg
			A + C	Screw	44-730.22.100	1	0.075 kg

Contacts: NC = Normally closed, NO = Normally open
Switching action: A = Rest, C = Maintain

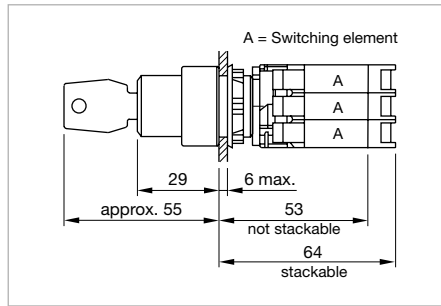


44 Raised design

Keylock switch 2 positions, IP 65



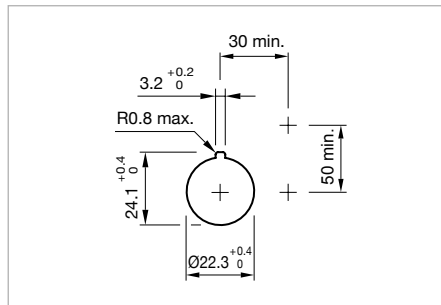
Product can differ from the current configuration.



Dimensions [mm]

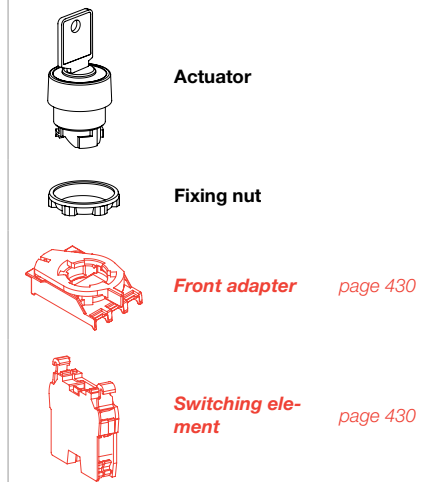
Zusätzliche Informationen

- The standard lock: Euro-Locks 9500
- Two keys are supplied with each key lock switch
- Optional lock numbers on request
- Up to 3 switching elements at 1. level



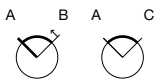
Mounting cut-outs [mm]

Equipment consisting of (schematic overview)




Each Part Number listed below includes all the black components shown in the 3D-drawing.

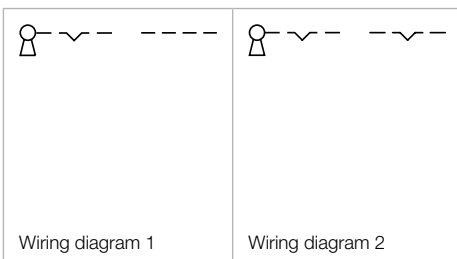
To obtain a complete unit, please select the red components from the page s shown.



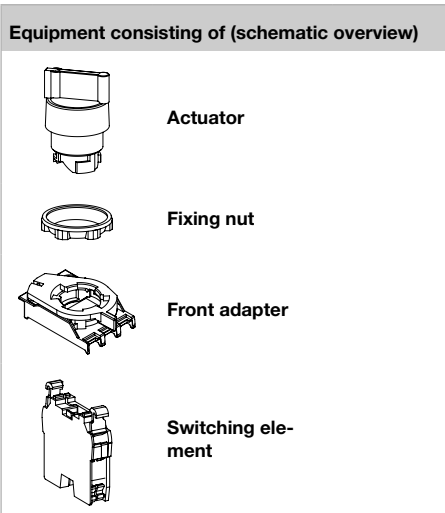
Switching positions (A = Rest, B = Momentary, C = Maintained)

Front ring	Switching action	Switching angle	Key remove	Part No.	Component layout	Wiring diagram	Weight
 <p>Keylock switch actuator 2 positions, Front dimension Ø 28 mm</p>							
Plastic matt chrome	A - B	B = 90°	A	44-732.21	5	1	0.051 kg
Plastic matt grey	A - B	B = 90°	A	44-732.61	5	1	0.051 kg
Plastic matt chrome	A - C	C = 90°	A	44-730.21	5	2	0.051 kg
			A + C	44-730.22	5	2	0.051 kg
Plastic matt grey	A - C	C = 90°	A	44-730.61	5	2	0.051 kg
			A + C	44-730.62	5	2	0.051 kg

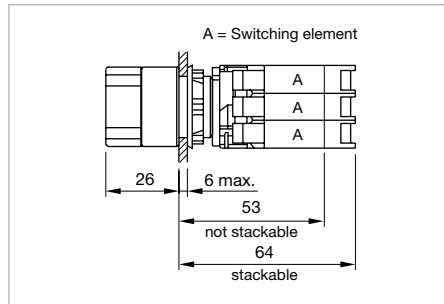
Switching action: A = Rest, B = Momentary, C = Maintain



Selector switch 2 positions complete, IP 65



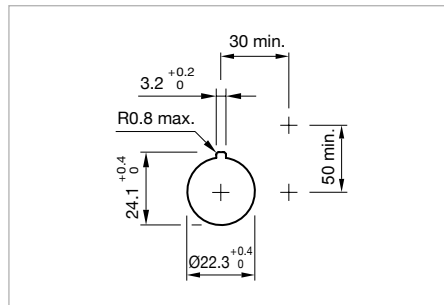
Each Part Number listed below includes all the black components shown in the 3D-drawing.



Dimensions [mm]



Product can differ from the current configuration.



Mounting cut-outs [mm]

Additional Information

- Switching system slow-make element

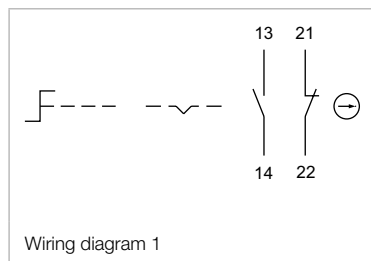
A C



Switching positions (A = Rest, C = Maintained)

Lever	Front ring	Contacts	Switching action	Switching angle	Terminal	Part No.	Wiring diagram	Weight
	Selector switch 2 positions complete, Front dimension Ø 28 mm							
Plastic black	Plastic matt chrome	1 NC + 1 NO	A - C	C = 90°	Screw	44-720.20.100	1	0.045 kg

Contacts: NC = Normally closed, NO = Normally open
Switching action: A = Rest, C = Maintain

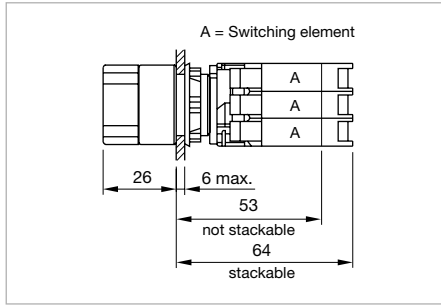


44 Raised design

Selector switch 2 positions, IP 65



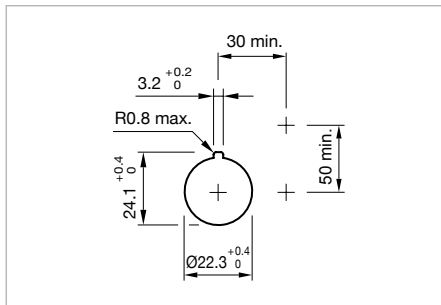
Product can differ from the current configuration.



Dimensions [mm]

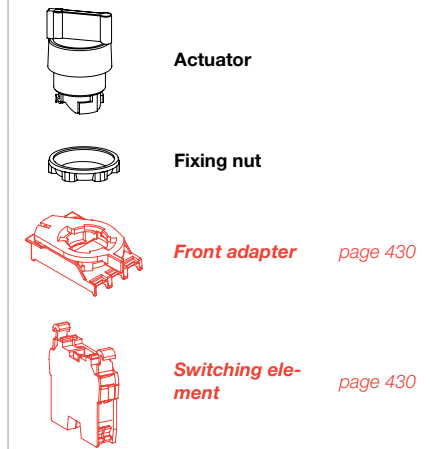
Additional Information

- Up to 3 switching elements at 1. level



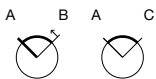
Mounting cut-outs [mm]

Equipment consisting of (schematic overview)



Each Part Number listed below includes all the black components shown in the 3D-drawing.

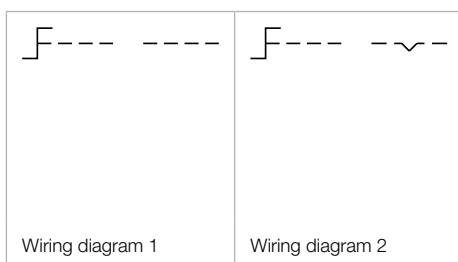
To obtain a complete unit, please select the red components from the pages shown.



Switching positions (A = Rest, B = Momentary, C = Maintained)

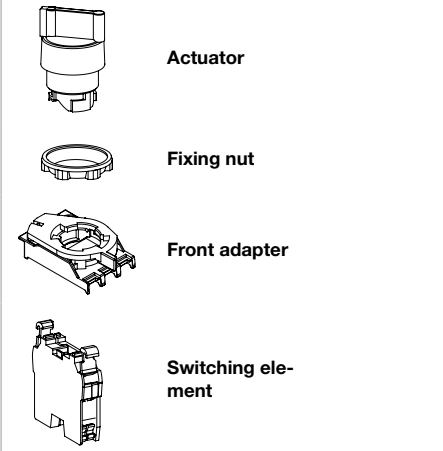
Lever	Front ring	Switching action	Switching angle	Part No.	Component layout	Wiring diagram	Weight
<p>Selector switch actuator 2 positions, Front dimension Ø 28 mm</p>							
Plastic black	Plastic matt chrome	A - B	B = 90°	44-722.20	5	1	0.021 kg
Plastic grey	Plastic matt grey	A - B	B = 90°	44-722.68	5	1	0.021 kg
Plastic black	Plastic matt chrome	A - C	C = 90°	44-720.20	5	2	0.021 kg
Plastic red	Plastic matt chrome	A - C	C = 90°	44-720.22	5	2	0.021 kg
	Plastic matt grey	A - C	C = 90°	44-720.62	5	2	0.021 kg
Plastic grey	Plastic matt grey	A - C	C = 90°	44-720.68	5	2	0.021 kg

Switching action: A = Rest, B = Momentary, C = Maintain
The component layouts you will find from page 442

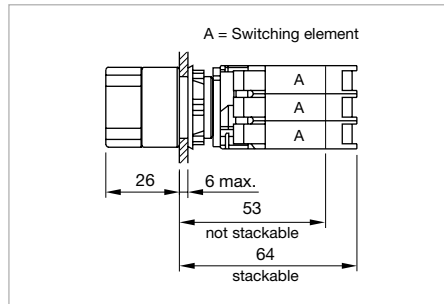


Selector switch 3 positions complete, IP 65

Equipment consisting of (schematic overview)



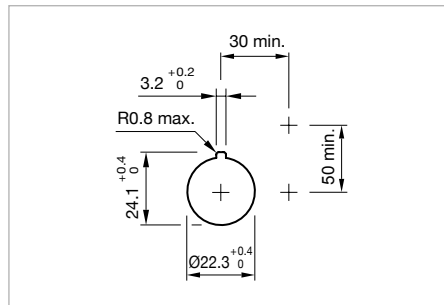
Each Part Number listed below includes all the black components shown in the 3D-drawing.



Dimensions [mm]



Product can differ from the current configuration.




Mounting cut-outs [mm]

Additional Information

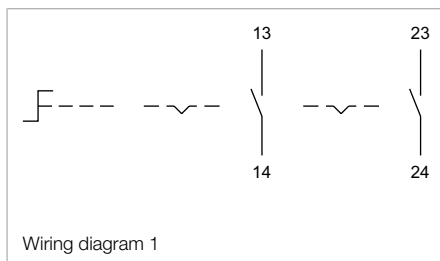
- Switching system slow-make element



Switching positions (A = Rest, B = Momentary, C = Maintained)

Lever	Front ring	Contacts	Switching action	Switching angle	Terminal	Part No.	Wiring diagram	Weight
 <p>Selector switch 3 positions complete, Front dimension Ø 28 mm</p>								
Plastic black	Plastic matt chrome	2 NO	C - A - C	C = 60° / 60°	Screw	44-724.20.020	1	0.048 kg

Contacts: 1 Normally open
Switching action: A = Rest, C = Maintain



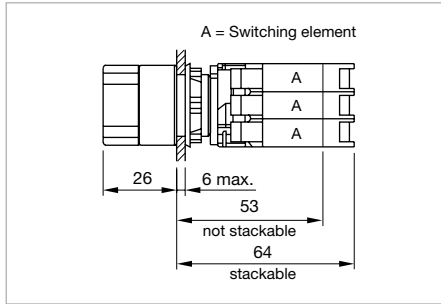
Wiring diagram 1

44 Raised design

Selector switch 3 positions, IP 65



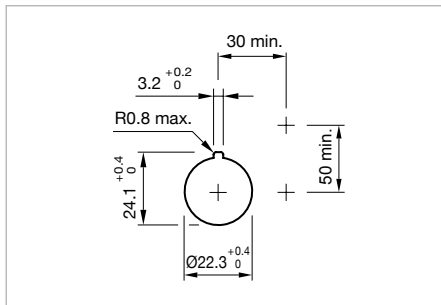
Product can differ from the current configuration.



Dimensions [mm]

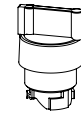
Additional Information

- Up to 3 switching elements at 1. level



Mounting cut-outs [mm]

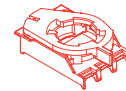
Equipment consisting of (schematic overview)



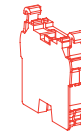
Actuator



Fixing nut



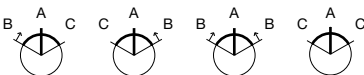
Front adapter *page 430*



Switching element *page 430*

Each Part Number listed below includes all the black components shown in the 3D-drawing.

To obtain a complete unit, please select the red components from the page s shown.



Switching positions (A = Rest, B = Momentary, C = Maintained)

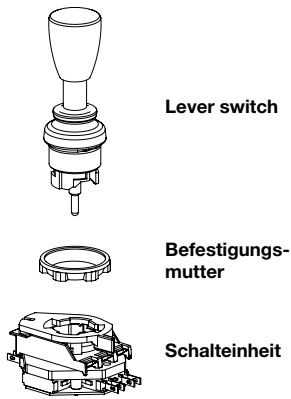
Lever	Front ring	Switching action	Switching angle	Part No.	Component layout	Wiring diagram	Weight
Selector switch actuator 3 positions, Front dimension Ø 28 mm							
Plastic black	Plastic matt chrome	B - A - C	B = 60°, C = 60°	44-727.20	4	1	0.021 kg
Plastic grey	Plastic matt grey	B - A - C	B = 60°, C = 60°	44-727.68	4	1	0.021 kg
Plastic black	Plastic matt chrome	C - A - B	C = 60°, B = 60°	44-726.20	4	2	0.021 kg
Plastic grey	Plastic matt grey	C - A - B	C = 60°, B = 60°	44-726.68	4	2	0.021 kg
Plastic black	Plastic matt chrome	B - A - B	B = 60° / 60°	44-725.20	4	3	0.021 kg
Plastic grey	Plastic matt grey	B - A - B	B = 60° / 60°	44-725.68	4	3	0.021 kg
Plastic black	Plastic matt chrome	C - A - C	C = 60° / 60°	44-724.20	4	4	0.021 kg
Plastic grey	Plastic matt grey	C - A - C	C = 60° / 60°	44-724.68	4	4	0.021 kg

Switching action: A = Rest, B = Momentary, C = Maintain
The component layouts you will find from page 442

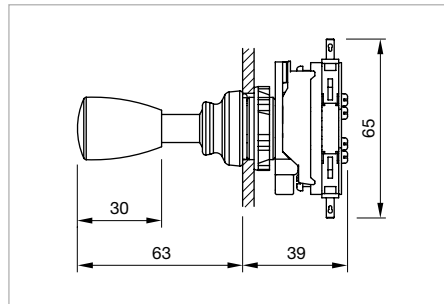
Wiring diagram 1	Wiring diagram 2	Wiring diagram 3	Wiring diagram 4

Lever switch, IP 65

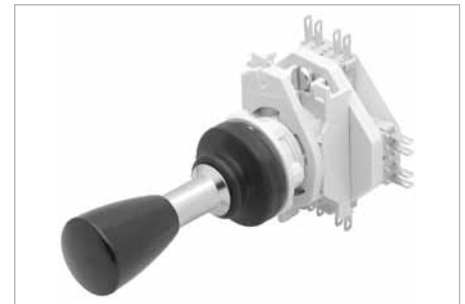
Equipment consisting of (schematic overview)



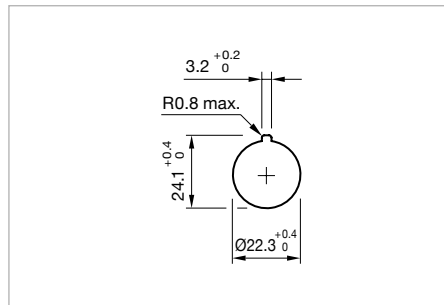
Each Part Number listed below includes all the black components shown in the 3D-drawing.



Dimensions [mm]




Product can differ from the current configuration.



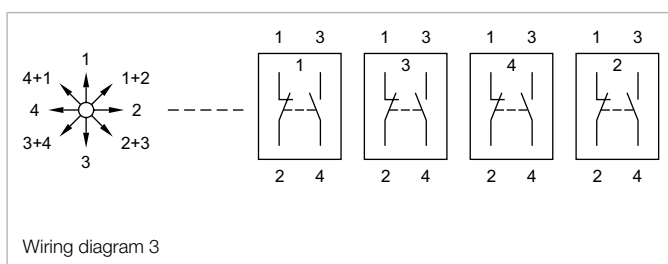
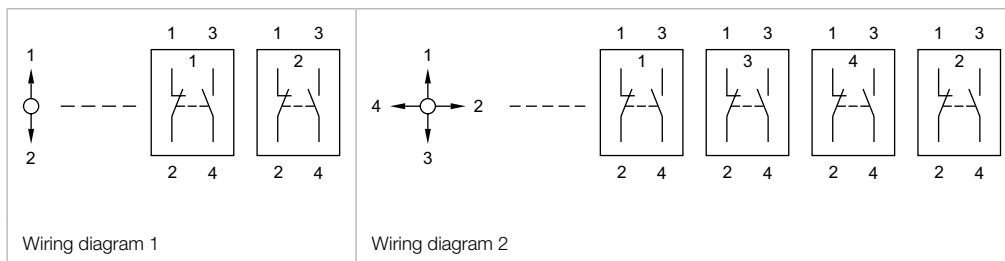
Mounting cut-outs [mm]

Additional Information

- Lever plastic black
- With flat receptacle, VDE 0630 (SEV) specify use of insulating sleeve Part No. 280-0010-00

Product attribute	Switching system	Contacts	Switching action	Terminal	Part No.	Component layout	Wiring diagram	Weight
								
Lever switch complete, Front dimension Ø 22 mm								
2 positions without latch position	Snap-action switching element	2 NC + 2 NO	B	Solder 2.8 x 0.5 mm	44-800.2	1	1	0.080 kg
4 positions without latch position	Snap-action switching element	4 NC + 4 NO	B	Solder 2.8 x 0.5 mm	44-800.4	2	2	0.085 kg
8 positions without latch position and lever guidance (omni directional)	Snap-action switching element	4 NC + 4 NO	B	Solder 2.8 x 0.5 mm	44-800.8	2	3	0.085 kg

Contacts: NC = Normally closed, NO = Normally open
 Switching action: B = Momentary
 The component layouts you will find from page 442

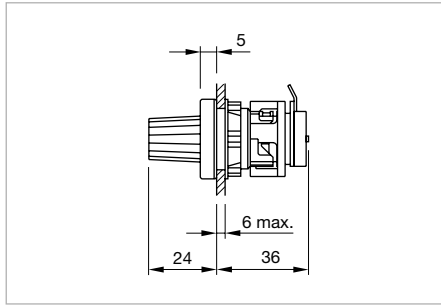


44 Raised design

Potentiometer, IP 65



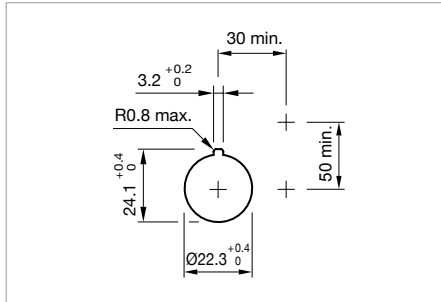
Product can differ from the current configuration.



Dimensions [mm]

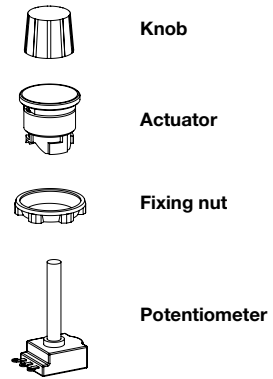
Additional Information

- Resistor 10 kOhm / linear, series E3
- Power 0.4 W
- Slewing range 300°




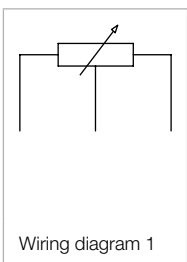
Mounting cut-outs [mm]

Gerät besteht aus (schematische Übersicht)



Each Part Number listed below includes all the black components shown in the 3D-drawing.

Product attribute	Front ring	Terminal	Part No.	Wiring diagram	Weight
 <p>Potentiometer, Front dimension Ø 28 mm</p>	Plastic matt chrome	Solder	44-745.20-10K1	1	0.03 kg
	Plastic matt grey	Solder	44-745.60-10K1	1	0.03 kg
without potentiometer, specification for potentiometer: Shaft = length 32 mm, shaft end = Form A, Ø = 6 mm	Plastic matt chrome	Solder	44-744.20		0.016 kg
	Plastic matt grey	Solder	44-744.60		0.016 kg




Front

Lens

Additional Information


- For indicator and illuminated pushbutton with front illumination und pushbutton markable

Dimension	Lens	Part No.	Weight
 <p>Lens</p> <p>Ø 23 mm</p>	Plastic red transparent	44-966.2	0.001 kg
	Plastic yellow transparent	44-966.4	0.001 kg
	Plastic green transparent	44-966.5	0.001 kg
	Plastic blue transparent	44-966.6	0.001 kg
	Plastic colourless transparent	44-966.7	0.001 kg

Marking plate for lens

Additional Information

- Marking information see «Marking»


Product attribute	Marking plate	Part No.	Weight
 <p>Marking plate for lens</p> <p>for pushbutton markable</p>	black opaque	44-961.0	0.001 kg
	red opaque	44-961.2	0.001 kg
	yellow opaque	44-961.4	0.001 kg
	green opaque	44-961.5	0.001 kg
	blue opaque	44-961.6	0.001 kg
	for indicator and illuminated pushbutton with front illumination und pushbutton markable	white translucent	44-962.9

44 Accessories

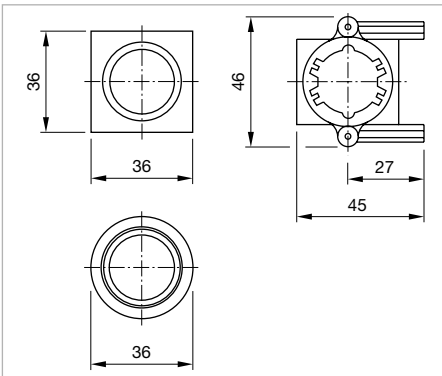
Lens cap

Additional Information



- For indicator with full face illumination, with sealing ring

Dimension	Lens cap	Part No.	Weight
 <p>Lens cap</p> <p>Ø 23 mm</p>	Plastic red transparent	44-965.2	0.003 kg
	Plastic yellow transparent	44-965.4	0.003 kg
	Plastic green transparent	44-965.5	0.003 kg
	Plastic blue transparent	44-965.6	0.003 kg
	Plastic colourless transparent	44-965.7	0.003 kg

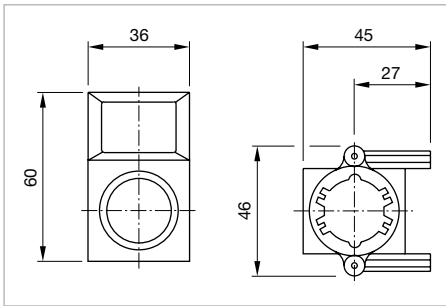
Front bezel set without legend




Dimensions [mm]

Product attribute	Mounting cut-out	Front bezel	Part No.	Weight
 <p>Front bezel set without legend support, flush design, Front dimension 36 x 36 mm</p>				
for indicator and potentiometer, the mounting depth extends for 3 mm	Ø 30.5 mm	Plastic black	44-946.01	0.006 kg
for illuminated pushbutton and pushbutton, selector- and keylock switch, interlocking pushbutton, the mounting depth extends for 12 mm	Ø 30.5 mm	Plastic black	44-946.03	0.010 kg
 <p>Front bezel set without legend support, flush design, Front dimension Ø 36 mm</p>				
for indicator and potentiometer, the mounting depth extends for 3 mm	Ø 30.5 mm	Plastic black	44-946.01-A	0.006 kg
for illuminated pushbutton and pushbutton, selector- and keylock switch, interlocking pushbutton, the mounting depth extends for 12 mm	Ø 30.5 mm	Plastic black	44-946.03-A	0.010 kg

Front bezel set with legend




Dimensions [mm]

Product attribute	Mounting cut-out	Front bezel	Part No.	Weight
 <p>Front bezel set with legend support, flush design, Front dimension 36 x 60 mm</p>				
for indicator and potentiometer, the mounting depth extends for 3 mm	Ø 30.5 mm	Plastic black	44-946.02	0.007 kg
for illuminated pushbutton and pushbutton, selector- and keylock switch, interlocking pushbutton, the mounting depth extends for 12 mm	Ø 30.5 mm	Plastic black	44-946.04	0.011 kg

Legend plate for legend support

Additional Information

- Marking information see «Marking»

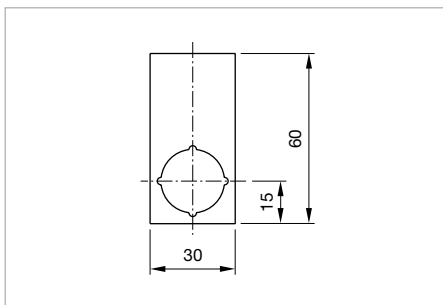
Dimension	Material	Colour	Mounting type	Part No.	Weight
 <p>Legend plate for front bezel set with legend support, flush design</p>					
27 x 18 mm	plastic, double layer	aluminium/black	adhesive	44-946	0.001 kg
		black/white	adhesive	44-946.0	0.001 kg

44 Accessories


Legend plate, IP 40

Additional Information

- For engraving
- The colour of anodized aluminium parts can vary due to technical production reasons



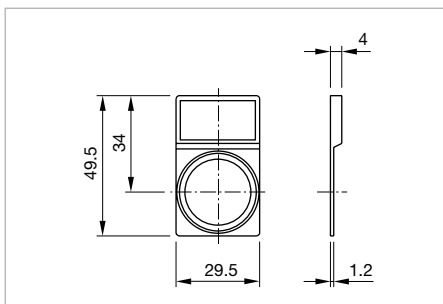
Dimensions [mm]

Dimension	Material	Colour	Part No.	Weight
 Legend plate				
30 x 60 mm	Aluminium	natural anodized	44-955	0.001 kg

Legend support without legend

Additional Information

- Label to be ordered separately Part No. 44-960
- Remove sealing ring from actuator



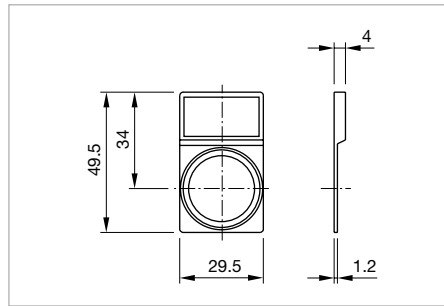
Dimensions [mm]

Dimension	Material	Colour	Part No.	Weight
 Legend support without legend				
29.5 x 49.5 mm	Plastic	black	44-944.00	0.002 kg
		grey	44-944.08	0.002 kg


Legend support with legend

Additional Information

- Label unmarked, remove sealing ring from actuator



Dimensions [mm]

Dimension	Material	Colour	Part No.	Weight
 <p>Legend support with legend</p>	Plastic	black	44-945.00	0.002 kg
		grey	44-945.08	0.002 kg
		29.5 x 49.5 mm		

Legend plate for legend support

Additional Information

- Marking information see «Marking»
- The colour of anodized aluminium parts can vary due to technical production reasons

Dimension	Material	Colour	Part No.	Weight
 <p>Legend plate for legend support with legend</p>	Aluminium	black anodized	44-960	0.001 kg
		13 x 26 mm		

Front ring

Additional Information

- For illuminated pushbutton- and pushbutton actuator

Front ring	Part No.	Weight
 <p>Front ring</p>	44-967.2	0.002 kg
	44-967.6	0.002 kg
Plastic matt chrome		
Plastic matt grey		

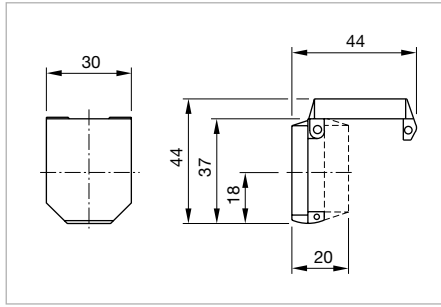
01
02
03
04
10
14
17
18
19
22
31
41
44
51
56
57
61
70
71
82
84
92
95
96
97
99
ST

44 Accessories

Protective cover, IP 65

Additional Information

- Hinged, with means for sealing
- Front panel thickness up to 3 mm max
- Remove anti-twisting nose from the actuator
- The dimensions of the mounting cut-outs are shown in the product details
- Please note that bigger minimum distances are necessary




Dimensions [mm]

Front protection	Mounting cut-out	Material	Optics	Part No.	Weight
 <p>Protective cover</p>					
IP 65	Ø 22.5 mm	Plastic	transparent	44-922	0.007 kg

Front protective cap, IP 68

Additional Information


- Only in connection with flush front ring. Protection when used under adverse ambient conditions. Remove gasket from the actuator. Cannot be used with the label support.

Material	Colour	Optics	Part No.	Weight
 <p>Front protective cap</p>				
Silicone	colourless	transparent	44-917.07	0.002 kg

Keylock cap

Additional Information

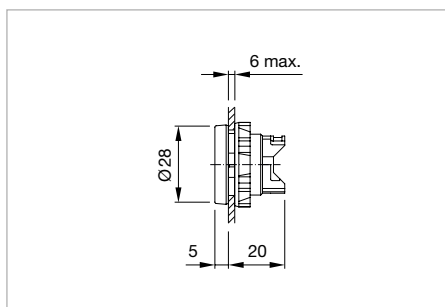
- For keylock pushbutton raised design. Protection when used under adverse ambient conditions
- Remove sealing ring from actuator
- Can not be used with the label support

Material	Colour	Part No.	Weight
 Keylock cap Plastic	black	44-921.00	0.004 kg
	grey	44-921.08	0.004 kg

Blind plug

Additional Information

- Lamp transformer can be mounted with front adaptor
- The dimensions of the mounting cut-outs are shown in the product details



Dimensions [mm]

Mounting cut-out	Material	Colour	Part No.	Weight
 Blind plug Ø 22.5 mm	Plastic	grey	44-915	0.008 kg

Spare key

Zusätzliche Informationen

- For standard lock: Euro-Locks 9500
- Optional lock numbers on request

Part No.	Weight
 Spare key 44-919	0.007 kg

01
02
03
04
10
14
17
18
19
22
31
41
44
51
56
57
61
70
71
82
84
92
95
96
97
99
ST

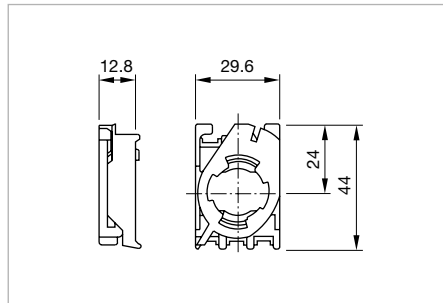
44 Accessories

Rear side


Front adapter front mounting

Additional Information

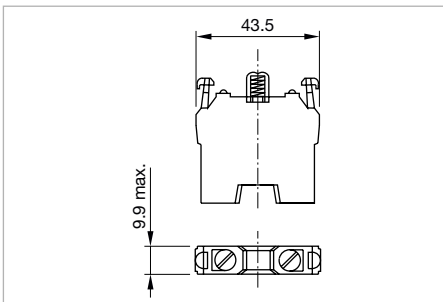
- Front adaptor marking: Terminal marking and distinctive number as per DIN EN 50013. The operating characters are marked on the switching elements beside the screw terminals




Dimensions [mm]

Product attribute	Marking	Part No.	Weight
 Front adapter front mounting			
for switching element or lamp element	without	44-900	0.007 kg
for switching elements in 1. level		44-901	0.007 kg
for switching elements in 2. level		44-902	0.007 kg
for switching elements in 3. level		44-903	0.007 kg

Slow-make element stackable

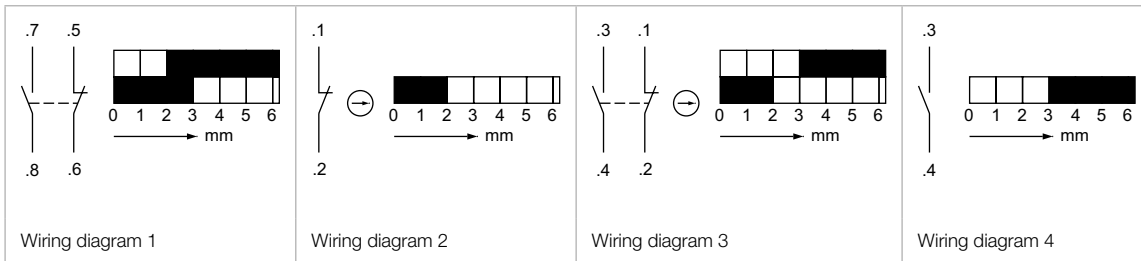


Dimensions [mm]

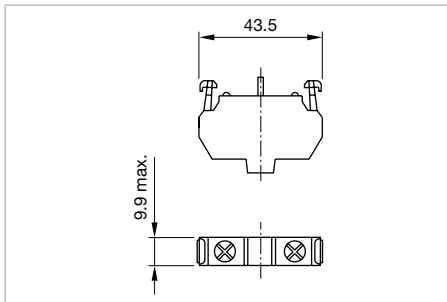
Product attribute	Switching voltage	Switching current	Contacts	Contact material	Terminal	Part No.	Wiring diagram	Weight
 Slow-make switching element front mounting stackable								
overlapping, not to use with EMERGENCY-STOP switch	500 VAC	10 A	1 NC + 1 NO	Silver	Screw	44-141	1	0.017 kg
Zwangsöffnung nach EN IEC 60947-5-1	500 VAC	10 A	1 Ö + 1 S	Silber	Schraub	44-131	3	0.017 kg
				Gold	Screw	44-132	3	0.017 kg
			1 NC	Silver	Screw	44-151	2	0.014 kg

Product attribute	Switching voltage	Switching current	Contacts	Contact material	Terminal	Part No.	Wiring diagram	Weight
Forced opening as per EN IEC 947-5-1	500 VAC	10 A	1 NC	Gold	Screw	44-152	2	0.014 kg
			1 NO	Silver	Screw	44-161	4	0.014 kg
				Gold	Screw	44-162	4	0.014 kg


Contacts: NC = Normally closed, NO = Normally open



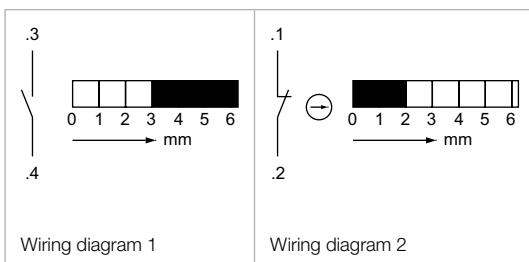
Slow make element non-stackable



Dimensions [mm]

Product attribute	Switching voltage	Switching current	Contacts	Contact material	Terminal	Part No.	Wiring diagram	Weight
 Slow-make switching element front mounting non-stackable	500 VAC	10 A	1 NC	Silver	Screw	44-111	2	0.010 kg
	500 VAC	10 A	1 NO	Silver	Screw	44-121	1	0.010 kg

Contacts: NC = Normally closed, NO = Normally open

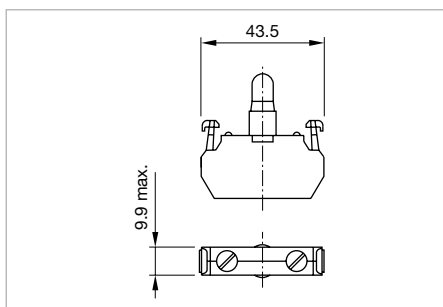


44 Accessories


Lamp element front mounting

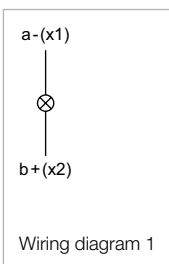
Additional Information

- Lamp socket BA9s, max. 2.6 W



Dimensions [mm]


Terminal	Part No.	Wiring diagram	Weight
			
Lamp element front mounting			
Screw	44-524	1	0.011 kg



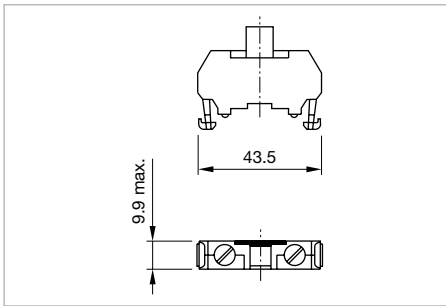
Base adaptor

Additional Information


- Front adaptor marking: Terminal marking and distinctive number as per DIN EN 50013. The operating characters are marked on the switching elements beside the screw terminals

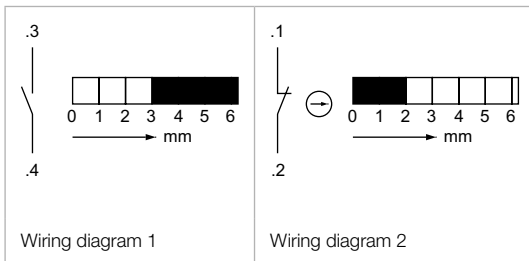
Marking	Part No.	Weight
		
Base adaptor		
	44-905	0.006 kg

Slow-make element base mountingung



Dimensions [mm]

Product attribute	Switching voltage	Switching current	Contacts	Contact material	Terminal	Part No.	Wiring diagram	Weight
 <p>Slow-make switching element base mounting non-stackable</p>								
Forced opening as per EN IEC 947-5-1	500 VAC	10 A	1 NC	Silver	Screw	44-211	2	0.010 kg
	500 VAC	10 A	1 NO	Silver	Screw	44-221	1	0.010 kg



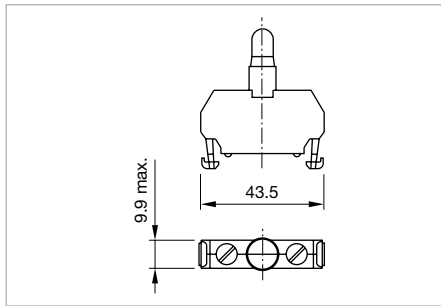
01
02
03
04
10
14
17
18
19
22
31
41
44
51
56
57
61
70
71
82
84
92
95
96
97
99
ST

44 Accessories


Lamp base mounting

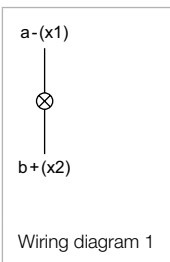
Additional Information

- Lamp socket BA9s, max. 2.6 W



Dimensions [mm]

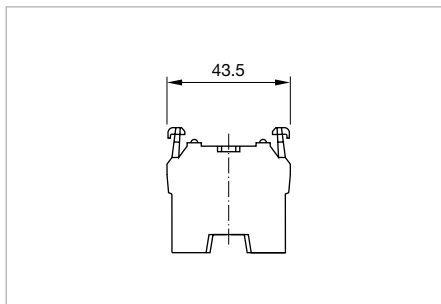
Terminal	Part No.	Wiring diagram	Weight
 Lamp base mounting			
Screw	44-525	1	0.011 kg




Blind element

Additional Information

- For mounting of lamp transformer



Dimensions [mm]

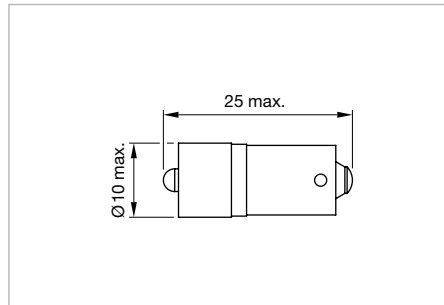
Part No.	Weight
 Blind element	
44-940	0.008 kg

Illumination

Single-LED, BA9s

Additional Information

- Luminous intensity data of the LEDs on direct voltage
- Electrical and optical data are measured at 25 °C
- The specified 6 VDC, 130 VAC, 130 DC und 230 VAC versions are built with a protection diode
- The specified 12, 24, 28, 48 VAC/DC versions are built with a bridge rectifier
- Luminosity and wave length scattering caused by LED manufacturing processes may cause slight variations in the illumination
- The specified 130 VAC types are developed to run on a supply voltage of 130 VAC only. An operation at a higher supply voltage using commercial lampholders with integrated resistors, is not approved



Dimensions [mm]

LED colour	Operating voltage	Operation current	Lumi. intensity	Dom. wavelength	Part No.	Weight
 <p>Single-LED</p>						
red	6 VDC +10 %	17 mA±15 %	400 mcd	630 nm	10-2506.1082	0.002 kg
	12 VAC/DC +10 %	16 mA±15 %	390 mcd	630 nm	10-2509.1142	0.002 kg
	24 VAC/DC +10 %	15 mA±15 %	350 mcd	630 nm	10-2512.1142	0.002 kg
	28 VAC/DC +10 %	13 mA±15 %	300 mcd	630 nm	10-2513.1142	0.002 kg
	48 VAC/DC +10 %	8 mA±15 %	200 mcd	630 nm	10-2519.1052	0.002 kg
	130 VDC +10 %	3 mA±15 %	120 mcd	630 nm	10-2524.3042	0.002 kg
	130 VAC +10 %	5 mA±15 %	180 mcd	630 nm	10-2H24.2052	0.002 kg
	230 VAC +10 %	3 mA±15 %	120 mcd	630 nm	10-2H25.2042	0.002 kg
yellow	6 VDC +10 %	17 mA±15 %	340 mcd	587 nm	10-2506.1084	0.002 kg
	12 VAC/DC +10 %	16 mA±15 %	340 mcd	587 nm	10-2509.1144	0.002 kg
	24 VAC/DC +10 %	15 mA±15 %	300 mcd	587 nm	10-2512.1144	0.002 kg
	28 VAC/DC +10 %	13 mA±15 %	270 mcd	587 nm	10-2513.1144	0.002 kg
	48 VAC/DC +10 %	8 mA±15 %	180 mcd	587 nm	10-2519.1054	0.002 kg
	130 VDC +10 %	3 mA±15 %	110 mcd	587 nm	10-2524.3044	0.002 kg
	130 VAC +10 %	5 mA±15 %	160 mcd	587 nm	10-2H24.2054	0.002 kg
	230 VAC +10 %	3 mA±15 %	110 mcd	587 nm	10-2H25.2044	0.002 kg
green	6 VDC +10 %	7 mA±15 %	1050 mcd	525 nm	10-2506.1085	0.002 kg
	12 VAC/DC +10 %	7 mA±15 %	1050 mcd	525 nm	10-2509.1145	0.002 kg
	24 VAC/DC +10 %	7 mA±15 %	1050 mcd	525 nm	10-2512.1145	0.002 kg
	28 VAC/DC +10 %	7 mA±15 %	1050 mcd	525 nm	10-2513.1145	0.002 kg
	48 VAC/DC +10 %	4 mA±15 %	600 mcd	525 nm	10-2519.1055	0.002 kg
	130 VDC +10 %	2 mA±15 %	300 mcd	525 nm	10-2524.3045	0.002 kg
	130 VAC +10 %	3 mA±15 %	450 mcd	525 nm	10-2H24.2055	0.002 kg
	230 VAC +10 %	2 mA±15 %	300 mcd	525 nm	10-2H25.2045	0.002 kg

01
02
03
04
10
14
17
18
19
22
31
41
44
51
56
57
61
70
71
82
84
92
95
96
97
99
ST


44 Accessories

LED colour	Operating voltage	Operation current	Lumi. intensity	Dom. wavelength	Part No.	Weight
blue	6 VDC +10 %	17 mA±15 %	780 mcd	470 nm	10-2506.1086	0.002 kg
	12 VAC/DC +10 %	16 mA±15 %	720 mcd	470 nm	10-2509.1146	0.002 kg
	24 VAC/DC +10 %	15 mA±15 %	680 mcd	470 nm	10-2512.1146	0.002 kg
	28 VAC/DC +10 %	13 mA±15 %	590 mcd	470 nm	10-2513.1146	0.002 kg
	48 VAC/DC +10 %	8 mA±15 %	400 mcd	470 nm	10-2519.1056	0.002 kg
	130 VDC +10 %	3 mA±15 %	200 mcd	470 nm	10-2524.3046	0.002 kg
	130 VAC +10 %	5 mA±15 %	230 mcd	470 nm	10-2H24.2056	0.002 kg
	230 VAC +10 %	3 mA±15 %	200 mcd	470 nm	10-2H25.2046	0.002 kg
white	6 VDC +10 %	5 mA ±15 %	750 mcd	x0.31/y0.32 nm	10-2506.1089	0.002 kg
	12 VAC/DC +10 %	8 mA ±15 %	1200 mcd	x0.31/y0.32 nm	10-2509.1149	0.002 kg
	24 VAC/DC +10 %	7 mA ±15 %	1050 mcd	x0.31/y0.32 nm	10-2512.1149	0.002 kg
	28 VAC/DC +10 %	5 mA ±15 %	750 mcd	x0.31/y0.32 nm	10-2513.1149	0.002 kg
	48 VAC/DC +10 %	5 mA ±15 %	750 mcd	x0.31/y0.32 nm	10-2519.1059	0.002 kg
	130 VDC +10 %	1.5 mA ±15 %	225 mcd	x0.31/y0.32 nm	10-2524.3049	0.002 kg
	130 VAC +10 %	2 mA ±15 %	300 mcd	x0.31/y0.32 nm	10-2H24.2059	0.002 kg
	230 VAC +10 %	1.5 mA ±15 %	225 mcd	x0.31/y0.32 nm	10-2H25.2049	0.002 kg

Filament lamp, BA9s

Additional Information

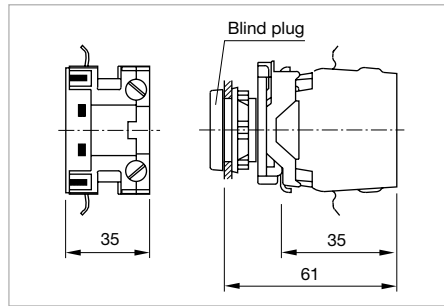
- The max. overall length of the lamp may not exceed 28 mm

Operating voltage	Operation current	Part No.	Weight
 <p>Filament lamp</p>			
6 VAC/DC	200 mA ±10 %	10-1406.1369	0.002 kg
12 VAC/DC	100 mA ±10 %	10-1409.1329	0.002 kg
24 VAC/DC	50 mA ±10 %	10-1412.1279	0.002 kg
36 VAC/DC	56 mA ±10 %	10-1416.1289	0.002 kg
48 VAC/DC	42 mA ±10 %	10-1419.1249	0.002 kg
60 VAC/DC	33 mA ±10 %	10-1420.1219	0.002 kg
110 VAC/DC	22 mA ±10 %	10-1422.1179	0.002 kg
130 VAC/DC	20 mA ±10 %	10-1424.1179	0.002 kg


Lamp transformer

Additional Information

- Short-circuit proof, 1.2 VA, 50/60 Hz, for front or base mounting



Dimensions [mm]

Operating voltage	Terminal	Part No.	Weight
 <p>Lamp transformer</p>			
230 / 24 VAC	Screw	44-976	0.102 kg
400 / 24 VAC	Screw	44-977	0.102 kg

- 01
- 02
- 03
- 04
- 10
- 14
- 17
- 18
- 19
- 22
- 31
- 41
- 44**
- 51
- 56
- 57
- 61
- 70
- 71
- 82
- 84
- 92
- 95
- 96
- 97
- 99
- ST


44 Accessories

Emergency-stop switch

Emergency-stop legend

Additional Information

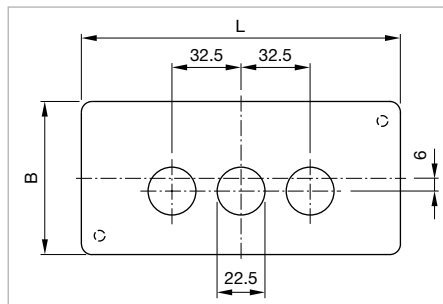
- Front protection IP 65 only ensured after protection foil is removed

Dimension	Marking	Colour	Mounting type	Part No.	Weight
 <p>Emergency-stop legend</p>					
Ø 45 x 1 mm	without	yellow	adhesive	44-951	0.002 kg
	NOT-AUS	yellow	adhesive	44-951.1	0.002 kg
	EMERGENCY-STOP	yellow	adhesive	44-951.2	0.002 kg
	ARRET-D'URGENCE	yellow	adhesive	44-951.3	0.002 kg
	NOT - HALT	yellow	adhesive	44-951.4	0.002 kg
Ø 60 x 1 mm	without	yellow	adhesive	44-950	0.004 kg
	NOT-AUS	yellow	adhesive	44-950.1	0.004 kg
	EMERGENCY-STOP	yellow	adhesive	44-950.2	0.004 kg
	ARRET-D'URGENCE	yellow	adhesive	44-950.3	0.004 kg
	NOT - HALT	yellow	adhesive	44-950.4	0.004 kg
Ø 90 x 1 mm	without	yellow	adhesive	44-949	0.009 kg
	NOT-AUS	yellow	adhesive	44-949.1	0.009 kg
	EMERGENCY-STOP	yellow	adhesive	44-949.2	0.009 kg
	ARRET-D'URGENCE	yellow	adhesive	44-949.3	0.009 kg
	NOT - HALT	yellow	adhesive	44-949.4	0.009 kg

Emergency-stop enclosure

Additional Information


- 1 mounting hole, with adaptor for base mounting



Dimensions [mm]

Dimension	Colour	Part No.	Weight
 <p>Emergency-stop enclosure</p>			
L 84 x B 72 x H 64 mm	yellow	44-001.4	0.174 kg

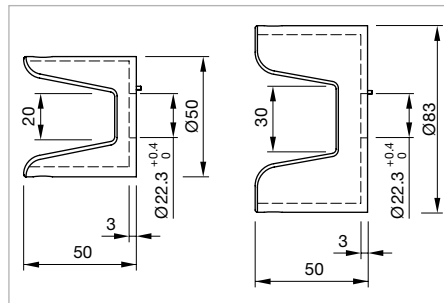
Cable gland, IP 68

Product attribute	Thread	Material	Colour	Part No.	Weight
 <p>Cable gland</p>					
with nut and sealing, clamping range \varnothing 7 ... 13 mm, thread length 10 mm	M20 x 1.5	Plastic	grey	44-956	0.009 kg

E-stop protective shroud, IP 65

Additional Information

- Use only for Part No. 44-712, 44-713, 44-712.001 and 44-713.001
- The protection shroud is not suitable for a proper use of emergency-stop. It can obstruct a spontaneous operation of the emergency-stop



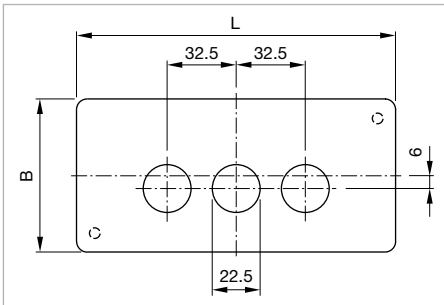
Dimensions [mm]

Dimension	Material	Colour	Standard	Part No.	Weight
 <p>E-stop protective shroud</p>					
\varnothing 50 mm	Plastic	yellow		704.927.8	0.052 kg
 <p>E-stop protective shroud</p>					
\varnothing 83 mm	Plastic	yellow	SEMI S2-93/12.4.c	704.927.9	0.067 kg


44 Accessories

Mounting

Enclosure




Dimensions [mm]

Product attribute	Dimension	Colour	Part No.	Weight
 Enclosure				
1 mounting hole, with adaptor for base mounting	L 84 x B 72 x H 64 mm	light grey	44-001.8	0.175 kg
2 mounting holes, with adaptor for base mounting	L 117 x B 72 x H 64 mm	light grey	44-002.8	0.199 kg
3 mounting holes, with adaptor for base mounting	H 150 x B 72 x H 64 mm	light grey	44-003.8	0.252 kg
5 mounting holes, with adaptor for base mounting	L 215 x B 72 x H 64 mm	light grey	44-005.8	0.332 kg


Legend for enclosure

Additional Information

- Not marked

Dimension	Material	Mounting type	Part No.	Weight
 Legend for enclosure				
19 x 19 mm	plastic / aluminium plated (natural)	adhesive	44-963	0.001 kg


Cable gland, IP 68

Product attribute	Thread	Material	Colour	Part No.	Weight
 Cable gland					
with nut and sealing, clamping range \varnothing 7 ... 13 mm, thread length 10 mm	M20 x 1.5	Plastic	grey	44-956	0.009 kg

Reducing ring

Additional Information


- For mounting of Ø 22.5 mm device into Ø 30.5 mm mounting cut-out
- The colour of anodized aluminium parts can vary due to technical production reasons

Material	Colour	Part No.	Weight
 <p>Reducing ring</p>			
Aluminium	natural anodized	44-925	0.003 kg

Mounting tool

Additional Information

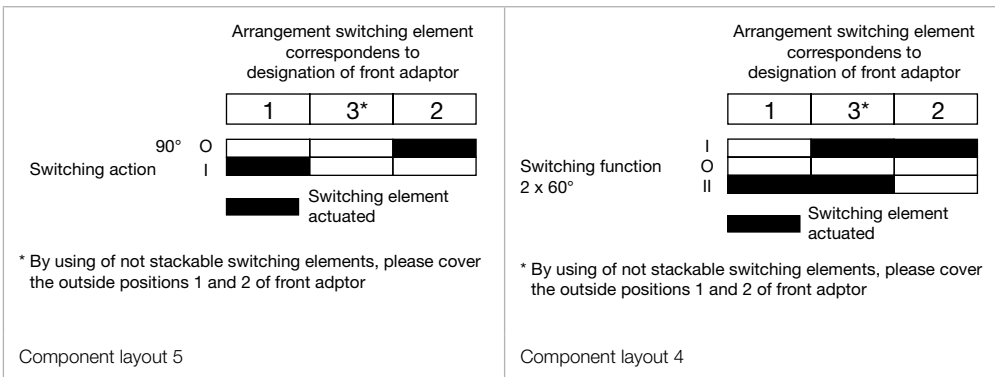
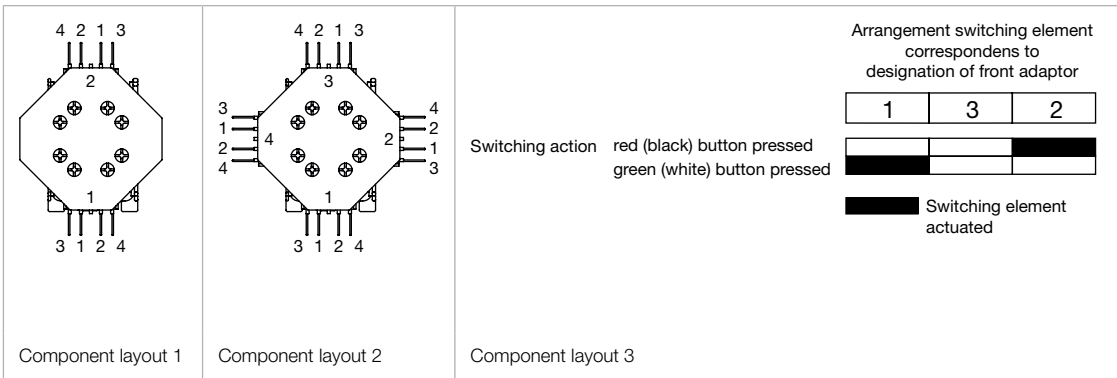
- For fixing nut, transparent lens, lens caps and illumination

Part No.	Weight
 <p>Mounting tool</p>	
44-935	0.037 kg

01
02
03
04
10
14
17
18
19
22
31
41
44
51
56
57
61
70
71
82
84
92
95
96
97
99
ST

44 Drawings

Drawings



Snap-action switching element Control Switch
Switching system

Is equipped with double-break jump contacts. Owing to the large cleaning path, outstanding self-cleaning is possible. The multilayer contacts are designed for universal use. They are gilded with a 2 µm gold coating. Each snap-action switching element comprises a NC (normally closed contact) and a NO (normally open contact).

Material
Housing

Polyethylene terephthalate (PETP), as per UL 94 V0

Contacts

AgNi, 2 µm gold plated

Contact carrier

Brass or CuBe

Mechanical characteristics
Terminals

Soldering terminal (also pluggable 2.8 x 0.5 mm), Brass gold plated
Wire cross-section 1.0 mm² max.

Actuating force

For each snap-action switching element approx. 2 N

Rebound time

typically 0.5 µs

Contact opening width

2 x 0.65 mm

Contact cleaning path

2 x 0.6 mm

Mechanical lifetime

2 million cycles of operation

Electrical characteristics
Contact resistance

New state with gold plated contact ≤ 50 mΩ, statically

Electrical life

> 10 000 cycles of operation

Switch rating

as per EN IEC 61058-1

250 VAC, 5 A cos φ 0.7 ... 0.8

250 VDC, 0.5 A

110 VDC, 2 A

75 VDC, 5 A

5 VAC/DC, 1 mA min.

Protection class

Indicators and switches, fit for mounting into devices with protection class II

Approvals
Approbations

CSA

ENEC (EN 61058)

UL

VDE

Declaration of conformity

CE

Slow-make switching element
Switching system

The double-break switching system can be supplied for the following switching functions: 1 normally closed, 1 normally open or 1 changeover contact with or without overlap.

The normally closed contacts have forced opening according to DIN 0660, IEC 60947-5-1 and DIN VDE 0113.

The switching element exhibits high reliability due to its H-contact system with relative friction. The normally open and normally closed contacts can be used electrically separated.

The standard version is ideal for high breaking capacities. For lower capacities a special version can be supplied.

Material
Material of contact

Standard version: Ag-Ni alloy

special version: Gold/Silver

Plastics

UL listed, Cd-free

Switching element

PC, PA 6.6 self-extinguishing

Mechanical characteristics
Actuating force

per switching element ≤ 5 N

Illuminated pushbutton actuator ≤ 10 N

Stop pushbutton actuator ≤ 20 N

Emergency-stop pushbutton actuator foolproof ≤ 70 N

Double pushbutton ≤ 12 N per contact surface

Actuating travel

approx. 6 mm

44 Technical data

Mechanical lifetime

Slow-make switching element	10 x 10 ⁶ switching operations
Pushbutton momentary action	5 x 10 ⁶ switching operations
Pushbutton maintained action	1 x 10 ⁶ cycles of operation
Illuminated pushbutton momentary action	3 x 10 ⁶ switching operations
Illuminated pushbutton maintained action	1 x 10 ⁶ cycles of operation
Interlocking pushbutton	2 x 10 ⁵ switching operations
Stop pushbutton not foolproof	1 x 10 ⁵ cycles of operation
Emergency-stop foolproof	> 6050 cycles of operation
Keylock switch	2 x 10 ⁵ cycles of operation
Selector switch	2 x 10 ⁵ cycles of operation
Double pushbutton	2 x 10 ⁵ switching operations per contact surface

Electrical characteristics

Rated Insulation Voltage U_i

Slow-make switching element	660V
Lamp element	250V
Lamp transformer	660V

Rated Operational Voltage U_e

AC 15 (inductive)	120V, ~6A
	230V, ~6A
	400V, ~4A
	500V, ~3A
	600V, ~1.2A
DC 13	24V, 3A
	60V, 1.3A
	120V, 0.6A
	250V, 0.3A

Rated Impulse Withstand Voltage U_{imp}

Lamp element	2.5 kV
Lamp transformer	6 kV
Slow-make switching element	6 kV
Between the electrically separated normally closed contacts and normally open contacts for slow-make switching elements.	
1 NC + 1 NO without overlap	
U _e > 400V, same polarity	
U _{imp} = 4000V	
1 NC + 1 NO with overlap	
U _e > 250V, same polarity	
U _{imp} = 4000V	

Rated Operational Current I_e

AC-12 (resistive)	500V, ~5A
DC-12	24V, 10A
	60V, 8A
	125V, 3A
	250V, 1A

Contact resistance

Starting value (initial) ≤ 50 mΩ

Electrical life

AC-15
400V, ~2A, 1 x 10⁶ switching operations

Conventional free air thermal current

I_{in2} = 10A

Short-circuit protection

max. series fuse to be provided 10A gL
lamp transformer is short-circuit-protected

Switch rating

Ag-Ni alloy	
(Standard version)	minimal 6V, 20mA minimal 12V, 10mA
Gold/Silver	
(Special version)	minimal 5V, 1mA maximum 42V, 100mA

Degree of pollution

3, as per EN IEC 60947-1

Protection class

Indicators and switches, fit for mounting into devices with protection class II

Environmental conditions

Storage temperature

-40 °C ... +70 °C

Operating temperature

-25 °C, as per EN IEC 60068-2-1
+60 °C, as per EN IEC 60068-2-2

Protection degree

Actuators at front and enclosure IP 65, as per EN IEC 60529

Shock resistance

40 g (duration 6 ms), as per EN IEC 60 68-2-27

Vibration resistance

sinusoidal, 5 g at 10–500 Hz, as per EN IEC 60068-2-6

Climate resistance

Humidity and heat constant, as per EN IEC 60068-2-3
Humidity and heat cyclic, as per EN IEC 60068-2-30

Approvals

Approbations

CSA
Germanischer Lloyd
UL
VDE

Declaration of conformity

CE

Control Switch

General

Design

Modular, Actuator and Switch part separated

Operation

2-/4-/8-positions, each approx. 12°

Mounting position

In any way

Mechanical characteristics

Mechanical lifetime

2 million cycles of operation

Environmental conditions

Storage temperature

-40 °C ... +85 °C, as per EN IEC 60068

Operating temperature

-25 °C ... +55 °C, as per EN IEC 60068-2

Protection degree

IP 65 front side, as per IEC 60529

Shock resistance

40g, 6ms regarding mechanical destruction

Climate resistance

Damp heat state/cyclic as per EN IEC 60068-2

Actuator

Material

Adapter and enclosure

PC

Front parts

PA 6, PA 12, PC, chromium-plated ABS

EAO reserves the right to alter specifications without further notice.

01
02
03
04
10
14
17
18
19
22
31
41
44
51
56
57
61
70
71
82
84
92
95
96
97
99
ST

44 Marking

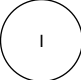



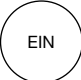
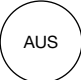

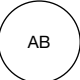





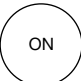
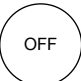



Label marking for label support

Label black anodized

Standard text	Text-No.	Standard text	Text-No.	Standard text	Text-No.
0	T 01	Forwards	T 14	Set up	T 22
I	T 02	Revers	T 15	Raise	T 23
0 I	T 03	Right	T 16	Lower	T 24
I 0 II	T 04	Left	T 17	Hand	T 25
OFF	T 10	Halt	T 18	STOP	T 26
ON	T 11	Close	T 19	START	T 27
Up	T 12	Fast	T 20	HAND/AUTO	T 28
Down	T 13	Slow	T 21	OFF/ON	T 29

Standard texts for marking plates and marking caps for Indicator and Illuminated Pushbutton

Height of letters 6 mm

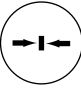

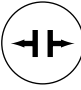



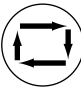






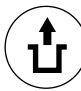












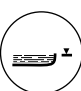



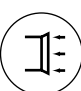
 Part No. 44-962.9-T1	 Part No. 44-962.9-T2	 Part No. 44-962.9-T3	 Part No. 44-962.9-T4
 Part No. 44-962.9-T5	 Part No. 44-962.9-T6	 Part No. 44-962.9-T7	 Part No. 44-962.9-T8
 Part No. 44-962.9-T9	 Part No. 44-962.9-T10	 Part No. 44-962.9-T11	 Part No. 44-962.9-T12
 Part No. 44-962.9-T13	 Part No. 44-962.9-T14	 Part No. 44-962.9-T15	 Part No. 44-962.9-T16
 Part No. 44-962.9-T17	 Part No. 44-962.9-T18		

Symbols for marking plates and marking caps for Indicator and Illuminated Pushbutton

All marking plates with the printed Part Numbers are available for flat lenses, marking cap only on request.

 Part No. 44-962.9-1 Direction of linear rectilinear motion (also for $\rightarrow \updownarrow$)	 Part No. 44-962.9-2 Linear motion in 2 directions (also for \downarrow)	 Part No. 44-962.9-3 Interrupted linear motion \updownarrow (also for $\leftarrow \leftarrow \updownarrow$)	 Part No. 44-962.9-4 Limited linear motion (also for $\leftarrow \updownarrow$)
 Part No. 44-962.9-5 Limited linear motion and return	 Part No. 44-962.9-6 Oscillating linear motion (continuous)	 Part No. 44-962.9-7 Direction of continuous rotation (right)	 Part No. 44-962.9-7.1 Direction of continuous rotation (left)
 Part No. 44-962.9-8 Rotation in 2 directions	 Part No. 44-962.9-9 Direction of interrupted rotation (right)	 Part No. 44-962.9-9.1 Direction of interrupted rotation (left)	 Part No. 44-962.9-10 Limited rotation (right)
 Part No. 44-962.9-10.1 Limited rotation (left)	 Part No. 44-962.9-11 Limited rotation and return	 Part No. 44-962.9-12 Oscillating rotary movement (continuous)	 Part No. 44-962.9-13 Direction of spindle rotation
 Part No. 44-962.9-14 One revolution	 Part No. 44-962.9-15 Number of revolutions per minute (spindle speed)	 Part No. 44-962.9-16 Feed	 Part No. 44-962.9-17 Feed per revolution
 Part No. 44-962.9-18 Feed per minute	 Part No. 44-962.9-19 Reduced feed	 Part No. 44-962.9-20 Rapid feed	 Part No. 44-962.9-21 Normal feed
 Part No. 44-962.9-22 Direction of feed (orientation not specified)	 Part No. 44-962.9-24 Transverse feed	 Part No. 44-962.9-25 Vertical feed	 Part No. 44-962.9-26 Rapid traverse
 Part No. 44-962.9-27 Threading	 Part No. 44-962.9-28 Increase of value (speed, for instance)	 Part No. 44-962.9-29 Decrease of value (speed, for instance)	 Part No. 44-962.9-30 Speed of planing cut
 Part No. 44-962.9-31 Speed of turning cut	 Part No. 44-962.9-32 Speed of drilling cut	 Part No. 44-962.9-33 Speed of milling cut (similar symbol for speed of grinding)	 Part No. 44-962.9-34 Conventional milling
 Part No. 44-962.9-35 Climb milling (down milling)	 Part No. 44-962.9-41 Electric motor	 Part No. 44-962.9-42 Rectangular work table or slide element	 Part No. 44-962.9-43 Round work table or rotating element
 Part No. 44-962.9-44 Turning spindle	 Part No. 44-962.9-45 Drilling spindle	 Part No. 44-962.9-46 Milling spindle	 Part No. 44-962.9-47 Schleifscheibenfutter
 Part No. 44-962.9-48 Pump (general symbol)	 Part No. 44-962.9-49 Cooling pump	 Part No. 44-962.9-50 Lubricant pump	 Part No. 44-962.9-51 Hydraulic system pump
 Part No. 44-962.9-52 Hydraulic motor	 Part No. 44-962.9-53 Tracer	 Part No. 44-962.9-61 Stepless regulation	 Part No. 44-962.9-62 Adjustable

44 Marking

 Part No. 44-962.9-63.1 Lock or tighten	 Part No. 44-962.9-63.2 Lock or tighten	 Part No. 44-962.9-64.1 Unlock, unclamp	 Part No. 44-962.9-64.2 Unlock, unclamp
 Part No. 44-962.9-65 Brake on	 Part No. 44-962.9-66 Brake off	 Part No. 44-962.9-67 Automatic (or semi-automatic) cycle	 Part No. 44-962.9-68 Hand control
 Part No. 44-962.9-69 Start, on	 Part No. 44-962.9-70 Stop, off	 Part No. 44-962.9-71 Start and stop with same button	 Part No. 44-962.9-72 In action as long as button is operated
 Part No. 44-962.9-74 Engaging (mechanical start)	 Part No. 44-962.9-75 Disengaging (mechanical stop)	 Part No. 44-962.9-76 Close lock-nut	 Part No. 44-962.9-77 Open lock-nut
 Part No. 44-962.9-78 Engage sensor	 Part No. 44-962.9-79 Disengage sensor	 Part No. 44-962.9-80 Change speed only in stopped position	 Part No. 44-962.9-81 Change speed only in motion
 Part No. 44-962.9-91 Shear pin construction	 Part No. 44-962.9-92 Danger (high voltage)!	 Part No. 44-962.9-93 Caution!	 Part No. 44-962.9-94 Main switch
 Part No. 44-962.9-101 Coolant fluid	 Part No. 44-962.9-102 Machine lighting	 Part No. 44-962.9-103 Weight	 Part No. 44-962.9-104 Filter opening
 Part No. 44-962.9-105 Overflow	 Part No. 44-962.9-106 Drain	 Part No. 44-962.9-107 Oil, lubricant	 Part No. 44-962.9-108 Blast
 Part No. 44-962.9-109 Suction			

Suppressor circuits

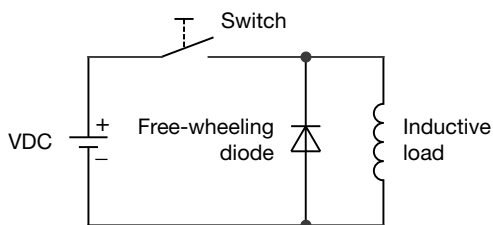
When switching inductive loads such as relays, DC motors, and DC solenoids, it is always important to absorb surges (e.g. with a diode) to protect the contacts. When these inductive loads are switched off, a counter emf can severely damage switch contacts and greatly shorten lifetime.

Fig. 1 shows an inductive load with a free-wheeling diode connected in parallel. This free-wheeling diode provides a path for the inductor current to flow when the current is interrupted by the switch. Without this free-wheeling diode, the voltage across the coil will be limited only by dielectric breakdown voltages of the circuit or parasitic elements of the coil. This voltage can be kilovolts in amplitude even when nominal circuit voltages are low (e.g. 12VDC) see Fig. 2.

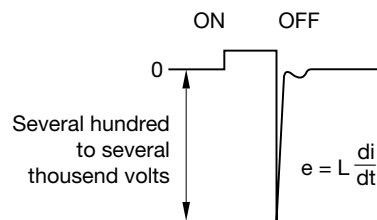
The free-wheeling diode should be chosen so that the reverse breakdown voltage is greater than the voltage driving the inductive load. The DC blocking voltage (V_R) of the free-wheeling diode can be found in the datasheet of a diode. The forward current should be equal or greater than the maximum current flowing through the load.

To get an efficient protection, the free-wheeling diode must be connected as close as possible to the inductive load!

Switching with inductive load
Fig. 1



Counter EMF
over load without free-wheeling diode
Fig. 2



Компания «Океан Электроники» предлагает заключение долгосрочных отношений при поставках импортных электронных компонентов на взаимовыгодных условиях!

Наши преимущества:

- Поставка оригинальных импортных электронных компонентов напрямую с производств Америки, Европы и Азии, а так же с крупнейших складов мира;
- Широкая линейка поставок активных и пассивных импортных электронных компонентов (более 30 млн. наименований);
- Поставка сложных, дефицитных, либо снятых с производства позиций;
- Оперативные сроки поставки под заказ (от 5 рабочих дней);
- Экспресс доставка в любую точку России;
- Помощь Конструкторского Отдела и консультации квалифицированных инженеров;
- Техническая поддержка проекта, помощь в подборе аналогов, поставка прототипов;
- Поставка электронных компонентов под контролем ВП;
- Система менеджмента качества сертифицирована по Международному стандарту ISO 9001;
- При необходимости вся продукция военного и аэрокосмического назначения проходит испытания и сертификацию в лаборатории (по согласованию с заказчиком);
- Поставка специализированных компонентов военного и аэрокосмического уровня качества (Xilinx, Altera, Analog Devices, Intersil, Interpoint, Microsemi, Actel, Aeroflex, Peregrine, VPT, Syfer, Eurofarad, Texas Instruments, MS Kennedy, Miteq, Cobham, E2V, MA-COM, Hittite, Mini-Circuits, General Dynamics и др.);

Компания «Океан Электроники» является официальным дистрибьютором и эксклюзивным представителем в России одного из крупнейших производителей разъемов военного и аэрокосмического назначения «JONHON», а так же официальным дистрибьютором и эксклюзивным представителем в России производителя высокотехнологичных и надежных решений для передачи СВЧ сигналов «FORSTAR».



JONHON

«JONHON» (основан в 1970 г.)

Разъемы специального, военного и аэрокосмического назначения:

(Применяются в военной, авиационной, аэрокосмической, морской, железнодорожной, горно- и нефтедобывающей отраслях промышленности)

«FORSTAR» (основан в 1998 г.)

ВЧ соединители, коаксиальные кабели, кабельные сборки и микроволновые компоненты:

(Применяются в телекоммуникациях гражданского и специального назначения, в средствах связи, РЛС, а так же военной, авиационной и аэрокосмической отраслях промышленности).



Телефон: 8 (812) 309-75-97 (многоканальный)

Факс: 8 (812) 320-03-32

Электронная почта: ocean@oceanchips.ru

Web: <http://oceanchips.ru/>

Адрес: 198099, г. Санкт-Петербург, ул. Калинина, д. 2, корп. 4, лит. А