



# High-Output-Drive, Precision, Low-Power, Single-Supply, Rail-to-Rail I/O Op Amps with Shutdown

## General Description

The MAX4165–MAX4169 family of operational amplifiers combines excellent DC accuracy with high output current drive, single-supply operation, and rail-to-rail inputs and outputs. These devices operate from a single +2.7V to +6.5V supply, or from dual  $\pm 1.35V$  to  $\pm 3.25V$  supplies. They typically draw 1.2mA supply current, and are guaranteed to deliver 80mA output current.

The MAX4166/MAX4168 have a shutdown mode that reduces supply current to 38 $\mu A$  per amplifier and places the outputs into a high-impedance state. The MAX4165–MAX4169's precision performance combined with high output current, wide input/output dynamic range, single-supply operation, and low power consumption makes them ideal for portable audio applications and other low-voltage, battery-powered systems. The MAX4165 is available in the space-saving 5-pin SOT23 package and the MAX4166 is available in a tiny 2mm x 2mm x 0.8mm  $\mu DFN$  package.

## Selector Guide

| PART    | AMPS PER PACKAGE | SHUTDOWN MODE |
|---------|------------------|---------------|
| MAX4165 | Single           | —             |
| MAX4166 | Single           | Yes           |
| MAX4167 | Dual             | —             |
| MAX4168 | Dual             | Yes           |
| MAX4169 | Quad             | —             |

## Applications

Portable/Battery-Powered Audio Applications  
 Portable Headphone Speaker Drivers  
 Laptop/Notebook Computers  
 Sound Ports/Cards  
 Set-Top Boxes  
 Cell Phones  
 Hands-Free Car Phones (kits)  
 Signal Conditioning  
 Digital-to-Analog Converter Buffers  
 Transformer/Line Drivers  
 Motor Drivers

Typical Operating Circuit appears at end of data sheet.

## Features

- ◆ 80mA (min) Output Drive Capability
- ◆ Rail-to-Rail Input Common-Mode Voltage Range
- ◆ Rail-to-Rail Output Voltage Swing
- ◆ 1.2mA Supply Current per Amplifier
- ◆ +2.7V to +6.5V Single-Supply Operation
- ◆ 5MHz Gain-Bandwidth Product
- ◆ 250 $\mu V$  Offset Voltage
- ◆ 120dB Voltage Gain ( $R_L = 100k\Omega$ )
- ◆ 88dB Power-Supply Rejection Ratio
- ◆ No Phase Reversal for Overdriven Inputs
- ◆ Unity-Gain Stable for Capacitive Loads to 250pF
- ◆ Low-Power Shutdown Mode:  
 Reduces Supply Current to 38 $\mu A$  Places Outputs in High-Impedance State
- ◆ Available in 5-Pin SOT23 Package (MAX4165) or 2mm x 2mm x 0.8mm  $\mu DFN$  (MAX4166)

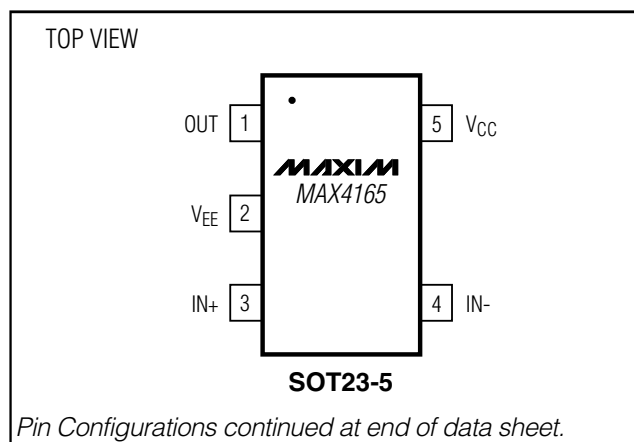
## Ordering Information

| PART         | TEMP RANGE     | PIN-PACKAGE    | TOP MARK |
|--------------|----------------|----------------|----------|
| MAX4165EUK-T | -40°C to +85°C | 5 SOT23-5      | AABY     |
| MAX4166EPA   | -40°C to +85°C | 8 Plastic DIP  | —        |
| MAX4166ESA   | -40°C to +85°C | 8 SO           | —        |
| MAX4166EUA   | -40°C to +85°C | 8 $\mu MAX$    | —        |
| MAX4166ELA+T | -40°C to +85°C | 8 $\mu DFN$ -8 | AAG      |

+ Denotes lead-free package.

Ordering Information continued on last page.

## Pin Configurations



# High-Output-Drive, Precision, Low-Power, Single-Supply, Rail-to-Rail I/O Op Amps with Shutdown

## ABSOLUTE MAXIMUM RATINGS

|  |                                     |  |                 |
|--|-------------------------------------|--|-----------------|
| Supply Voltage ( $V_{CC}$ to $V_{EE}$ )                        | 7V                                  | 8-Pin $\mu$ DFN (derate 4.8mW/°C above +70°C)      | 380mW           |
| $IN_+$ , $IN_-$ , $\overline{SHDN}$                            | $(V_{EE} - 0.3V) + (V_{CC} + 0.3V)$ | 10-Pin $\mu$ MAX (derate 5.60mW/°C above +70°C)    | 444mW           |
| $OUT_+$ (shutdown mode)  | $(V_{EE} - 0.3V) + (V_{CC} + 0.3V)$ | 14-Pin Plastic DIP (derate 10.00mW/°C above +70°C) | 800mW           |
| Output Short-Circuit Duration to $V_{CC}$ or $V_{EE}$ (Note 1) | Continuous                          | 14-Pin SO (derate 8.33mW/°C above +70°C)           | 667mW           |
| Continuous Power Dissipation ( $T_A = +70^\circ\text{C}$ )     |                                     | Operating Temperature Range                        | -40°C to +85°C  |
| 5-Pin SOT23 (derate 7.10mW/°C above +70°C)                     | 571mW                               | Junction Temperature                               | +150°C          |
| 8-Pin Plastic DIP (derate 9.09mW/°C above +70°C)               | 727mW                               | Storage Temperature Range                          | -65°C to +150°C |
| 8-Pin SO (derate 5.88mW/°C above +70°C)                        | 471mW                               | Lead Temperature (soldering, 10s)                  | +300°C          |
| 8-Pin $\mu$ MAX (derate 4.10mW/°C above +70°C)                 | 330mW                               |  |                 |

**Note 1:** Continuous power dissipation should also be observed.

Stresses beyond those listed under "Absolute Maximum Ratings" may cause permanent damage to the device. These are stress ratings only, and functional operation of the device at these or any other conditions beyond those indicated in the operational sections of the specifications is not implied. Exposure to absolute maximum rating conditions for extended periods may affect device reliability.

## DC ELECTRICAL CHARACTERISTICS

( $V_{CC} = +2.7V$  to  $+6.5V$ ,  $V_{EE} = 0V$ ,  $V_{CM} = 0V$ ,  $V_{OUT} = (V_{CC} / 2)$ ,  $R_L = 100k\Omega$  to  $(V_{CC} / 2)$ ,  $V_{\overline{SHDN}} \geq 2V$ ,  $T_A = +25^\circ\text{C}$ , unless otherwise noted.)

| PARAMETER                       | SYMBOL                     | CONDITIONS  | MIN   | TYP             | MAX        | UNITS |
|---------------------------------|----------------------------|---|---|-----------------|------------|-------|
| Input Offset Voltage            | $V_{OS}$                   | $V_{CM} = V_{EE}$ to $V_{CC}$                             | MAX416_EPA/EPD                                  | 0.25            | 0.85       | mV    |
|                                 |                            |   | MAX416_ESA/ESD                                  | 0.25            | 0.85       |       |
|                                 |                            |   | MAX416_EUA/EUB/ELA                              | 0.35            | 1.7        |       |
|                                 |                            |   | MAX416_EUK                                      | 0.35            | 1.5        |       |
|                                 |                            |   | MAX4169E_D                                      | 0.25            | 1.0        |       |
| Input Bias Current              | $I_B$                      | $V_{CM} = V_{EE}$ to $V_{CC}$                             | $\pm 50$  | $\pm 150$       | nA         |       |
| Input Offset Current            | $I_{OS}$                   | $V_{CM} = V_{EE}$ to $V_{CC}$                             | $\pm 1$   | $\pm 15$        | nA         |       |
| Differential Input Resistance   | $R_{IN(DIFF)}$             | $ V_{IN+} - V_{IN-}  \leq 1.8V$                           | 500   |                 | k $\Omega$ |       |
|                                 |                            | $ V_{IN+} - V_{IN-}  > 1.8V$                              | 2   |                 |            |       |
| Common-Mode Input Voltage Range | $V_{CM}$                   | Inferred from CMRR test                                   | $V_{EE} - 0.25$                                 | $V_{CC} + 0.25$ | V          |       |
| Common-Mode Rejection Ratio     | CMRR                       | $V_{EE} - 0.25V < V_{CM} < (V_{CC} + 0.25V)$              | MAX416_EPA/EPD                                  | 72              | 93         | dB    |
|                                 |                            |   | MAX416_ESA/ESD                                  | 72              | 93         |       |
|                                 |                            |   | MAX416_EUA/EUB/ELA                              | 62              | 89         |       |
|                                 |                            |   | MAX416_EUK                                      | 63              | 90         |       |
|                                 |                            |   | MAX4169E_D                                      | 71              | 93         |       |
| Power-Supply Rejection Ratio    | PSRR                       | $V_{CC} = 2.7V$ to $6.5V$                                 | MAX416_EPA/EPD                                  | 72              | 88         | dB    |
|                                 |                            |   | MAX416_ESA/ESD                                  | 72              | 88         |       |
|                                 |                            |   | MAX416_EUA/EUB/ELA                              | 72              | 86         |       |
|                                 |                            |   | MAX416_EUK                                      | 72              | 86         |       |
|                                 |                            |   | MAX4169E_D                                      | 70              | 88         |       |
| Output Resistance               | $R_{OUT}$                  | $A_{VCL} = +1V/V$   | 0.1   |                 | k $\Omega$ |       |
| Off-Leakage Current in Shutdown | $I_{OUT(\overline{SHDN})}$ | $V_{\overline{SHDN}} < 0.8V$ , $V_{OUT} = 0V$ to $V_{CC}$ | $\pm 0.001$                                     | $\pm 2$         | $\mu A$    |       |
| Large-Signal Voltage Gain       | $A_{VOL}$                  | $V_{CC} = 5V$   | $V_{OUT} = 0.2V$ to $4.8V$ , $R_L = 100k\Omega$ | 95              | 120        | dB    |
|                                 |                            |   | $V_{OUT} = 0.6V$ to $4.4V$ , $R_L = 25\Omega$   | 71              | 83         |       |

# High-Output-Drive, Precision, Low-Power, Single-Supply, Rail-to-Rail I/O Op Amps with Shutdown

MAX4165-MAX4169

## DC ELECTRICAL CHARACTERISTICS (continued)

( $V_{CC} = +2.7V$  to  $+6.5V$ ,  $V_{EE} = 0V$ ,  $V_{CM} = 0V$ ,  $V_{OUT} = (V_{CC} / 2)$ ,  $R_L = 100k\Omega$  to  $(V_{CC} / 2)$ ,  $V_{SHDN} \geq 2V$ ,  $T_A = +25^\circ C$ , unless otherwise noted.)

| PARAMETER                                  | SYMBOL                    | CONDITIONS                            |                    | MIN               | TYP       | MAX       | UNITS   |
|--|---------------------------|---------------------------------------|--------------------|-------------------|-----------|-----------|---------|
| Output Voltage Swing                       | $V_{OUT}$                 | $V_{CC} = 5V$                         | $R_L = 100k\Omega$ | $V_{CC} - V_{OH}$ | 15        | 30        | mV      |
|  |                           |                                       |                    | $V_{OL} - V_{EE}$ | 10        | 25        |         |
|  |                           |                                       | $R_L = 25\Omega$   | $V_{CC} - V_{OH}$ | 340       | 430       |         |
|  |                           |                                       |                    | $V_{OL} - V_{EE}$ | 160       | 350       |         |
| Output Source/Sink Current (Note 2)        |                           | $V_{OUT} = 0.6V$ to $(V_{CC} - 0.6V)$ |                    | $\pm 80$          | $\pm 125$ |           | mA      |
| $\overline{SHDN}$ Logic Threshold (Note 3) | $V_{IL}$                  | Shutdown mode                         |                    |                   |           | 0.8       | V       |
|  | $V_{IH}$                  | Normal mode                           |                    | 2.0               |           |           |         |
| $\overline{SHDN}$ Input Bias Current       |                           | $V_{EE} < V_{SHDN} < V_{CC}$          |                    |                   |           | $\pm 3.0$ | $\mu A$ |
| Operating Supply-Voltage Range             | $V_{CC}$                  | Inferred from PSRR test               |                    | 2.7               |           | 6.5       | V       |
| Quiescent Supply Current (per Amplifier)   | $I_{CC}$                  | $V_{CC} = 5V$                         |                    |                   | 1.3       | 1.5       | mA      |
|  |                           | $V_{CC} = 3V$                         |                    |                   | 1.2       | 1.4       |         |
| Shutdown Supply Current (per Amplifier)    | $I_{CC}(\overline{SHDN})$ | $V_{SHDN} < 0.8V$                     | $V_{CC} = 5V$      |                   | 58        | 75        | $\mu A$ |
|  |                           |                                       | $V_{CC} = 3V$      |                   | 38        | 49        |         |

## DC ELECTRICAL CHARACTERISTICS

( $V_{CC} = +2.7V$  to  $+6.5V$ ,  $V_{EE} = 0V$ ,  $V_{CM} = 0V$ ,  $V_{OUT} = (V_{CC} / 2)$ ,  $R_L = 100k\Omega$  to  $(V_{CC} / 2)$ ,  $V_{SHDN} \geq 2V$ ,  $T_A = -40^\circ C$  to  $+85^\circ C$ , unless otherwise noted.) (Note 4)

| PARAMETER                       | SYMBOL                   | CONDITIONS                                   |                    | MIN             | TYP     | MAX             | UNITS            |
|---------------------------------|--------------------------|--|--------------------|-----------------|---------|-----------------|------------------|
| Input Offset Voltage            | $V_{OS}$                 | $V_{CM} = V_{EE}$ to $V_{CC}$                | MAX416_EPA/EPD     |                 |         | 1.0             | mV               |
|                                 |                          |  | MAX416_ESA/ESD     |                 |         | 1.0             |                  |
|                                 |                          |  | MAX416_EUA/EUB/ELA |                 |         | 4.9             |                  |
|                                 |                          |  | MAX416_EUK         |                 |         | 4.3             |                  |
|                                 |                          |  | MAX4169E_D         |                 |         | 1.2             |                  |
| Offset-Voltage Tempco           | $\Delta V_{OS}/\Delta T$ |  |                    |                 | $\pm 3$ |                 | $\mu V/^\circ C$ |
| Input Bias Current              | $I_B$                    | $V_{CM} = V_{EE}$ to $V_{CC}$                |                    |                 |         | $\pm 225$       | nA               |
| Input Offset Current            | $I_{OS}$                 | $V_{CM} = V_{EE}$ to $V_{CC}$                |                    |                 |         | $\pm 21$        | nA               |
| Common-Mode Input Voltage Range | $V_{CM}$                 | Inferred from CMRR test                      |                    | $V_{EE} - 0.15$ |         | $V_{CC} + 0.15$ | V                |
| Common-Mode Rejection Ratio     | CMRR                     | $V_{EE} - 0.15V < V_{CM} < (V_{CC} + 0.15V)$ | MAX416_EPA/EPD     |                 |         | 71              | dB               |
|                                 |                          |  | MAX416_ESA/ESD     |                 |         | 71              |                  |
|                                 |                          |  | MAX416_EUA/EUB/ELA |                 |         | 56              |                  |
|                                 |                          |  | MAX416_EUK         |                 |         | 57              |                  |
|                                 |                          |  | MAX4169E_D         |                 |         | 69              |                  |
| Power-Supply Rejection Ratio    | PSRR                     | $V_{CC} = 2.7V$ to $6.5V$                    | MAX416_EPA/EPD     |                 |         | 67              | dB               |
|                                 |                          |  | MAX416_ESA/ESD     |                 |         | 67              |                  |
|                                 |                          |  | MAX416_EUA/EUB/ELA |                 |         | 65              |                  |
|                                 |                          |  | MAX416_EUK         |                 |         | 65              |                  |
|                                 |                          |  | MAX4169E_D         |                 |         | 66              |                  |

# High-Output-Drive, Precision, Low-Power, Single-Supply, Rail-to-Rail I/O Op Amps with Shutdown

## DC ELECTRICAL CHARACTERISTICS (continued)

( $V_{CC} = +2.7V$  to  $+6.5V$ ,  $V_{EE} = 0V$ ,  $V_{CM} = 0V$ ,  $V_{OUT} = (V_{CC} / 2)$ ,  $R_L = 100k\Omega$  to  $(V_{CC} / 2)$ ,  $V_{SHDN} \geq 2V$ ,  $T_A = -40^\circ C$  to  $+85^\circ C$ , unless otherwise noted.)

| PARAMETER                                | SYMBOL          | CONDITIONS                                     | MIN   | TYP               | MAX       | UNITS   |
|--|-----------------|--|---|-------------------|-----------|---------|
| Off-Leakage Current in Shutdown          | $I_{OUT(SHDN)}$ | $V_{SHDN} < 0.8V$ , $V_{OUT} = 0V$ to $V_{CC}$ |   |                   | $\pm 5$   | $\mu A$ |
| Large-Signal Voltage Gain                | $A_{VOL}$       | $V_{CC} = 5V$                                  | $V_{OUT} = 0.2V$ to $4.8V$ , $R_L = 100k\Omega$ | 90                |           | dB      |
|  |                 |  | $V_{OUT} = 0.6V$ to $4.4V$ , $R_L = 25\Omega$   | 66                |           |         |
| Output Voltage Swing                     | $V_{OUT}$       | $V_{CC} = 5V$                                  | $R_L = 100k\Omega$                              | $V_{CC} - V_{OH}$ | 40        | mV      |
|  |                 |  |   | $V_{OL} - V_{EE}$ | 30        |         |
|  |                 |  | $R_L = 25\Omega$                                | $V_{CC} - V_{OH}$ | 490       |         |
|  |                 |  |   | $V_{OL} - V_{EE}$ | 400       |         |
| Output Source/Sink Current (Note 2)      |                 | $V_{OUT} = 0.6V$ to $(V_{CC} - 0.6V)$          | $\pm 80$  |                   |           | mA      |
| SHDN Logic Threshold (Note 3)            | $V_{IL}$        | Shutdown mode                                  |   |                   | 0.8       | V       |
|  | $V_{IH}$        | Normal mode                                    | 2.0   |                   |           |         |
| SHDN Input Bias Current                  |                 | $V_{EE} < V_{SHDN} < V_{CC}$                   |   |                   | $\pm 3.5$ | $\mu A$ |
| Operating Supply-Voltage Range           | $V_{CC}$        | Inferred from PSRR test                        | 2.7   |                   | 6.5       | V       |
| Quiescent Supply Current (per Amplifier) | $I_{CC}$        | $V_{CC} = 5V$                                  |   |                   | 1.7       | mA      |
|  |                 | $V_{CC} = 3V$                                  |   |                   | 1.6       |         |
| Shutdown Supply Current (per Amplifier)  | $I_{CC(SHDN)}$  | $V_{SHDN} < 0.8V$                              | $V_{CC} = 5V$                                   |                   | 82        | $\mu A$ |
|  |                 |  | $V_{CC} = 3V$                                   |                   | 54        |         |

**Note 2:** Although the minimum output current is guaranteed to be  $\pm 80mA$ , exercise caution to ensure that the absolute maximum power-dissipation rating of the package is not exceeded.

**Note 3:** SHDN logic thresholds are referenced to  $V_{EE}$ .

**Note 4:** The MAX4165EUK is 100% tested at  $+25^\circ C$ . All temperature limits are guaranteed by design.

## AC ELECTRICAL CHARACTERISTICS

( $V_{CC} = +2.7V$  to  $+6.5V$ ,  $V_{EE} = 0V$ ,  $V_{CM} = 0V$ ,  $V_{OUT} = (V_{CC} / 2)$ ,  $R_L = 2.5k\Omega$  to  $(V_{CC} / 2)$ ,  $V_{SHDN} \geq 2V$ ,  $C_L = 15pF$ ,  $T_A = +25^\circ C$ , unless otherwise noted.)

| PARAMETER                    | SYMBOL       | CONDITIONS   | MIN | TYP   | MAX | UNITS          |
|------------------------------|--------------|--|-----|-------|-----|----------------|
| Gain-Bandwidth Product       | GBWP         |  |     | 5     |     | MHz            |
| Full-Power Bandwidth         | FPBW         | $V_{OUT} = 4V_{p-p}$ , $V_{CC} = 5V$                   |     | 260   |     | kHz            |
| Slew Rate                    | SR           |  |     | 2     |     | V/ $\mu s$     |
| Phase Margin                 | PM           |  |     | 68    |     | degrees        |
| Gain Margin                  | GM           |  |     | 21    |     | dB             |
| Total Harmonic Distortion    | THD          | $f = 10kHz$ , $V_{OUT} = 2V_{p-p}$ , $A_{VCL} = +1V/V$ |     | 0.005 |     | %              |
| Settling Time to 0.01%       | $t_S$        | $A_{VCL} = +1V/V$ , 2V step                            |     | 2.1   |     | $\mu s$        |
| Input Capacitance            | $C_{IN}$     |  |     | 3     |     | pF             |
| Input Voltage-Noise Density  | $e_n$        | $f = 1kHz$   |     | 26    |     | $nV/\sqrt{Hz}$ |
| Input Current-Noise Density  | $i_n$        | $f = 1kHz$   |     | 0.4   |     | $pA/\sqrt{Hz}$ |
| Channel-to-Channel Isolation |              | $f = 1kHz$ , $R_L = 100k\Omega$ (MAX4167-MAX4169)      |     | 125   |     | dB             |
| Capacitive Load Stability    |              | $A_{VCL} = +1V/V$ , no sustained oscillations          |     | 250   |     | pF             |
| Shutdown Time                | $t_{SHDN}$   |  |     | 1     |     | $\mu s$        |
| Enable Time from Shutdown    | $t_{ENABLE}$ |  |     | 1     |     | $\mu s$        |
| Power-Up Time                | $t_{ON}$     |  |     | 5     |     | $\mu s$        |

# High-Output-Drive, Precision, Low-Power, Single-Supply, Rail-to-Rail I/O Op Amps with Shutdown

## Typical Operating Characteristics

( $V_{CC} = +5.0V$ ,  $V_{EE} = 0V$ ,  $R_L = 100k\Omega$ ,  $T_A = +25^\circ C$ , unless otherwise noted.)

MAX4165-MAX4169



# High-Output-Drive, Precision, Low-Power, Single-Supply, Rail-to-Rail I/O Op Amps with Shutdown

## Typical Operating Characteristics (continued)

( $V_{CC} = +5.0V$ ,  $V_{EE} = 0V$ ,  $R_L = 100k\Omega$ ,  $T_A = +25^\circ C$ , unless otherwise noted.)

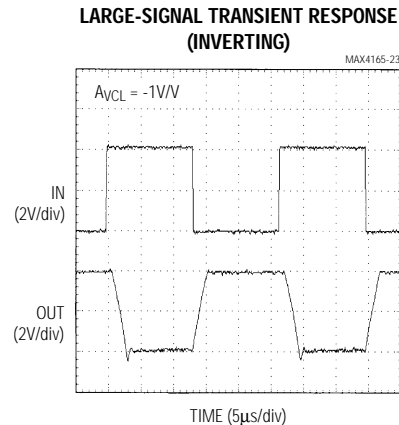
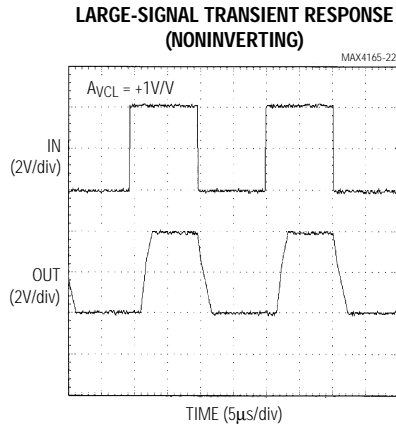
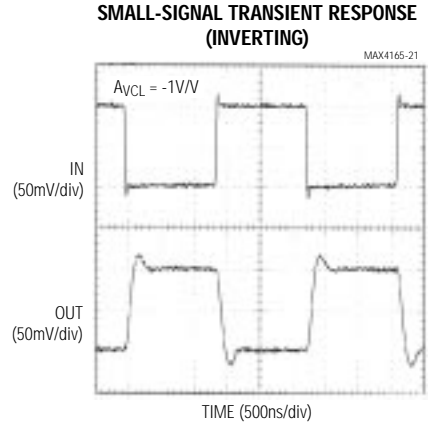
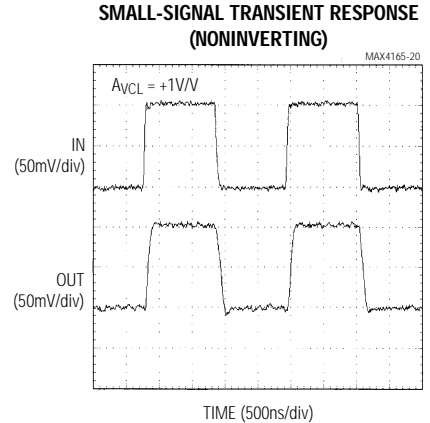
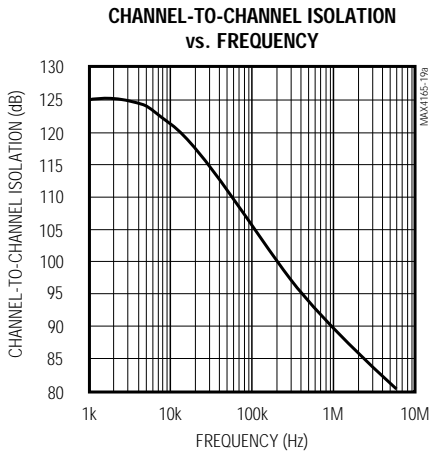


# High-Output-Drive, Precision, Low-Power, Single-Supply, Rail-to-Rail I/O Op Amps with Shutdown

## Typical Operating Characteristics (continued)

( $V_{CC} = +5.0V$ ,  $V_{EE} = 0V$ ,  $R_L = 100k\Omega$ ,  $T_A = +25^\circ C$ , unless otherwise noted.)

MAX4165-MAX4169



# High-Output-Drive, Precision, Low-Power, Single-Supply, Rail-to-Rail I/O Op Amps with Shutdown

## Pin Description

| MAX4165 | PIN            |      |         |                |      |         | NAME   | FUNCTION   |
|---------|----------------|------|---------|----------------|------|---------|--|--|
|         | MAX4166        |      | MAX4167 | MAX4168        |      | MAX4169 |  |  |
|         | DIP/SO<br>μMAX | μDFN |         | DIP/SO         | μMAX |         |  |  |
| 1       | 6              | 4    | —       | —              | —    | —       | OUT  | Output   |
| —       | 1, 5           | 2, 6 | —       | 5, 7, 8,<br>10 | —    | —       | N.C.   | No Connection. Not internally connected.   |
| —       | —              | —    | 1, 7    | 1, 13          | 1, 9 | 1, 7    | OUT1, OUT2   | Outputs for Amplifiers 1 and 2   |
| 2       | 4              | 3    | 4       | 4              | 4    | 11      | V <sub>EE</sub>  | Negative Supply. Ground for single-supply operation.   |
| 3       | 3              | 1    | —       | —              | —    | —       | IN+  | Noninverting Input   |
| —       | —              | —    | 2, 6    | 2, 12          | 2, 8 | 2, 6    | IN1-, IN2-   | Inverting Inputs for Amplifiers 1 and 2  |
| 4       | 2              | 7    | —       | —              | —    | —       | IN-  | Inverting Input  |
| —       | —              | —    | 3, 5    | 3, 11          | 3, 7 | 3, 5    | IN1+, IN2+   | Noninverting Inputs for Amplifiers 1 and 2   |
| 5       | 7              | 5    | 8       | 14             | 10   | 4       | V <sub>CC</sub>  | Positive Supply  |
| —       | —              | —    | —       | 6, 9           | 5, 6 | —       | $\overline{\text{SHDN1}}$ ,<br>$\overline{\text{SHDN2}}$ | Active-Low Shutdown Inputs for Amplifiers 1 and 2. Drive low for shutdown mode. Drive high or connect to V <sub>CC</sub> for normal operation. |
| —       | 8              | 8    | —       | —              | —    | —       | $\overline{\text{SHDN}}$                                 | Active-Low Shutdown Input. Drive low for shutdown mode. Drive high or connect to V <sub>CC</sub> for normal operation.                         |
| —       | —              | —    | —       | —              | —    | 8, 14   | OUT3, OUT4   | Outputs for Amplifiers 3 and 4   |
| —       | —              | —    | —       | —              | —    | 9, 13   | IN3-, IN4-   | Inverting Inputs for Amplifiers 3 and 4  |
| —       | —              | —    | —       | —              | —    | 10, 12  | IN3+, IN4+   | Noninverting Inputs for Amplifiers 3 and 4   |



# High-Output-Drive, Precision, Low-Power, Single-Supply, Rail-to-Rail I/O Op Amps with Shutdown

## Applications Information

### Package Power Dissipation

**Warning: Due to the high output current drive, this op amp can exceed the absolute maximum power-dissipation rating.** As a general rule, as long as the peak current is less than or equal to 80mA, the maximum package power dissipation will not be exceeded for any of the package types offered. There are some exceptions to this rule, however. The absolute maximum power-dissipation rating of each package should always be verified using the following equations. The following equation gives an approximation of the package power dissipation:

$$P_{IC(DISS)} \cong V_{RMS} I_{RMS} \cos \theta$$

where:  $V_{RMS}$  = the RMS voltage from  $V_{CC}$  to  $V_{OUT}$  when sourcing current

= the RMS voltage from  $V_{OUT}$  to  $V_{EE}$  when sinking current

$I_{RMS}$  = the RMS current flowing out of or into the op amp and the load

$\theta$  = the phase difference between the voltage and the current. For resistive loads,  $\cos \theta = 1$ .

For example, the circuit in Figure 1 has a package power dissipation of 157mW.

$$\begin{aligned} V_{RMS} &\cong (V_{CC} - V_{DC}) - \frac{V_{PEAK}}{\sqrt{2}} \\ &= 6.5V - 3.25V - \frac{1.5V}{\sqrt{2}} = 2.189V_{RMS} \end{aligned}$$

$$\begin{aligned} I_{RMS} &\cong I_{DC} + \frac{I_{PEAK}}{\sqrt{2}} = \frac{3.25V}{60\Omega} + \frac{1.5V/60\Omega}{\sqrt{2}} \\ &= 71.84mA_{RMS} \end{aligned}$$

Therefore,  $P_{IC(DISS)} = V_{RMS} I_{RMS} \cos \theta = 157mW$

Adding a coupling capacitor improves the package power dissipation because there is no DC current to the load, as shown in Figure 2.

$$\begin{aligned} V_{RMS} &\cong (V_{CC} - V_{DC}) - \frac{V_{PEAK}}{\sqrt{2}} \\ &= 6.5V - 3.25V - \frac{1.5V}{\sqrt{2}} = 2.189V_{RMS} \end{aligned}$$

$$\begin{aligned} I_{RMS} &\cong I_{DC} + \frac{I_{PEAK}}{\sqrt{2}} = 0A + \frac{1.5V/60\Omega}{\sqrt{2}} \\ &= 17.67mA_{RMS} \end{aligned}$$



Figure 1. A Circuit Example where the MAX4165/MAX4166 is Being Used in Single-Supply Operation



Figure 2. A Circuit Example where Adding a Coupling Capacitor Greatly Reduces the Power Dissipation of Its Package

Therefore,  $P_{IC(DISS)} = V_{RMS} I_{RMS} \cos \theta = 38.6mW$

The absolute maximum power-dissipation rating of this package would be exceeded if the configuration in Figure 1 were used with all four of the MAX4169ESD's amplifiers at a high ambient temperature of +75°C (157mW x 4 amplifiers = 628mW + a derating of 8.33mW/°C x 5°C = 669mW). Note that 669mW just exceeds the absolute maximum power dissipation of 667mW for the 14-pin SO package (see the *Absolute Maximum Ratings* section).

# High-Output-Drive, Precision, Low-Power, Single-Supply, Rail-to-Rail I/O Op Amps with Shutdown

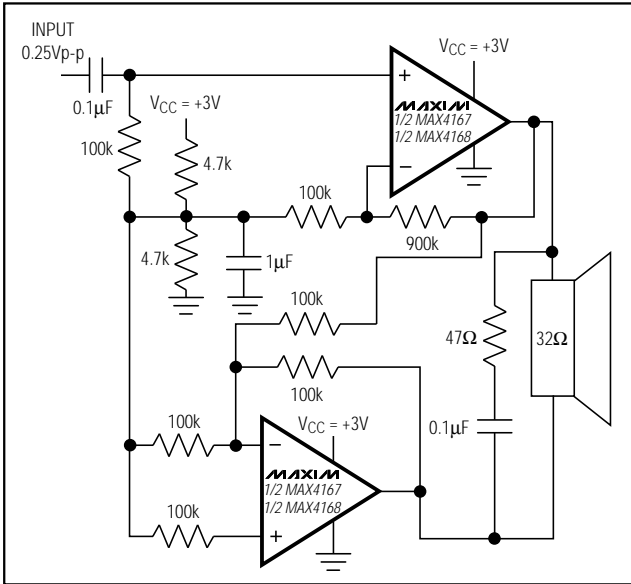


Figure 3. Dual MAX4167/MAX4168 Bridge Amplifier for 200mW at 3V

## Single-Supply Speaker Driver

The MAX4165/MAX4166 can be used as a single-supply speaker driver, as shown in the *Typical Operating Circuit*. Capacitor C1 is used for blocking DC (a 0.1μF ceramic capacitor can be used). When choosing resistors R3 and R4, take into consideration the input bias current as well as how much supply current can be tolerated. Choose resistors R1 and R2 according to the amount of gain and current desired. Capacitor C3 ensures unity gain for DC. A 10μF electrolytic capacitor is suitable for most applications. The coupling capacitor C2 sets a low-frequency pole and is fairly large in value. For a 32Ω load, a 100μF coupling capacitor gives a low-frequency pole at 50Hz. The low-frequency pole can be set according to the following equation:

$$f = 1 / 2\pi (RLC2)$$

## Bridge Amplifier

The circuit shown in Figure 3 uses a dual MAX4167/MAX4168 to implement a 3V, 200mW amplifier suitable for use in size-constrained applications. This configuration eliminates the need for the large coupling capacitor required by the single op-amp speaker driver when single-supply operation is a must. Voltage gain is set to +10V/V; however, it can be changed by adjusting the 900kΩ resistor value. DC voltage at the speaker is limited to 10mV. The 47Ω and 0.1μF capacitors across the speaker maintain a low impedance at the load as frequency increases.



Figure 4. Reducing Offset Error Due to Bias Current (Noninverting)



Figure 5. Reducing Offset Error Due to Bias Current (Inverting)

## Rail-to-Rail Input Stage

Devices in the MAX4165-MAX4169 family of high-output-current amplifiers have rail-to-rail input and output stages designed for low-voltage, single-supply operation. The input stage consists of separate NPN and PNP differential stages that combine to provide an input common-mode range that extends 0.25V beyond the supply rails. The PNP stage is active for input voltages close to the negative rail, and the NPN stage is active for input voltages near the positive rail. The switchover transition region, which occurs near  $V_{CC} / 2$ , has been extended to minimize the slight degradation in common-mode rejection ratio caused by mismatch of the input pairs.

# High-Output-Drive, Precision, Low-Power, Single-Supply, Rail-to-Rail I/O Op Amps with Shutdown

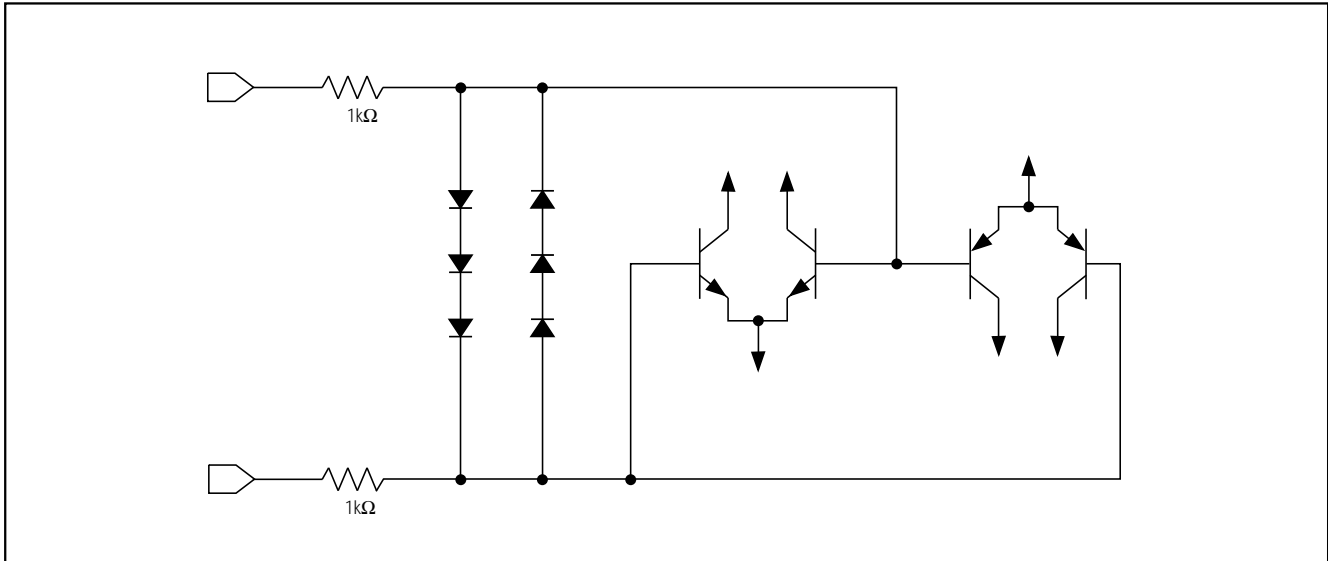


Figure 6. Input Protection Circuit

Since the input stage switches between the NPN and PNP pairs, the input bias current changes polarity as the input voltage passes through the transition region. Match the effective impedance seen by each input to reduce the offset error caused by input bias currents flowing through external source impedances (Figures 4 and 5).

High source impedances, together with input capacitance, can create a parasitic pole that produces an underdamped signal response. Reducing the input impedance or placing a small (2pF to 10pF) capacitor across the feedback resistor improves response.

The MAX4165–MAX4169's inputs are protected from large differential input voltages by 1kΩ series resistors and back-to-back triple diodes across the inputs (Figure 6).

For differential voltages less than 1.8V, input resistance is typically 500kΩ. For differential input voltages greater than 1.8V, input resistance is approximately 2kΩ. The input bias current is given by the following equation:

$$I_{BIAS} = (V_{DIFF} - 1.8V) / 2k\Omega$$

### Rail-to-Rail Output Stage

The minimum output is within millivolts of ground for single-supply operation, where the load is referenced to ground ( $V_{EE}$ ). Figure 7 shows the input voltage range and the output voltage swing of a MAX4165 connected as a voltage follower. The maximum output voltage swing is load dependent; however, it is guaranteed to be within 430mV of the positive rail ( $V_{CC} = 5V$ ) even with maximum load (25Ω to ground).

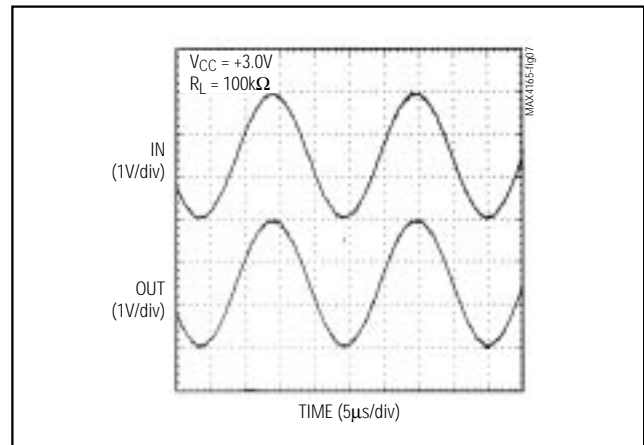


Figure 7. Rail-to-Rail Input/Output Range

### Driving Capacitive Loads

The MAX4165–MAX4169 have a high tolerance for capacitive loads. They are stable with capacitive loads up to 250pF. Figure 8 is a graph of the stable operating region for various capacitive loads vs. resistive loads. Figures 9 and 10 show the transient response with excessive capacitive loads (1500pF), with and without the addition of an isolation resistor in series with the output. Figure 11 shows a typical noninverting capacitive-load-driving circuit in the unity-gain configuration. The resistor improves the circuit's phase margin by isolating the load capacitor from the op amp's output.

# High-Output-Drive, Precision, Low-Power, Single-Supply, Rail-to-Rail I/O Op Amps with Shutdown



Figure 8. Capacitive Load Stability



Figure 9. Small-Signal Transient Response with Excessive Capacitive Load



Figure 10. Small-Signal Transient Response with Excessive Capacitive Load with Isolation Resistor



Figure 11. Capacitive-Load-Driving Circuit

## Power-Up and Shutdown Modes

The MAX4166/MAX4168 have a shutdown option. When the shutdown pin ( $\overline{\text{SHDN}}$ ) is pulled low, supply current drops to  $58\mu\text{A}$  per amplifier ( $V_{\text{CC}} = +5\text{V}$ ), the amplifiers are disabled, and their outputs are placed in a high-impedance state. Pulling  $\overline{\text{SHDN}}$  high or leaving it floating enables the amplifier. In the dual MAX4168, the two amplifiers shut down independently. Figures 12 and 13 show the MAX4166's output voltage and supply-current responses to a shutdown pulse. The MAX4166-MAX4169 typically settle within  $5\mu\text{s}$  after power-up (Figure 14).

## Power Supplies and Layout

The MAX4165-MAX4169 can operate from a single  $+2.7\text{V}$  to  $+6.5\text{V}$  supply, or from dual  $\pm 1.35\text{V}$  to  $\pm 3.25\text{V}$  supplies. For single-supply operation, bypass the power supply with a  $0.1\mu\text{F}$  ceramic capacitor in parallel with at least  $1\mu\text{F}$ . For dual-supply operation, bypass each supply to ground. Good layout improves performance by decreasing the amount of stray capacitance at the op amps' inputs and outputs. Decrease stray capacitance by placing external components close to the op amps' pins, minimizing trace and lead lengths.

# High-Output-Drive, Precision, Low-Power, Single-Supply, Rail-to-Rail I/O Op Amps with Shutdown

MAX4165-MAX4169



Figure 12. Shutdown Output Voltage Enable/Disable



Figure 13. Shutdown Enable/Disable Supply Current



Figure 14. Power-Up/Down Output Voltage

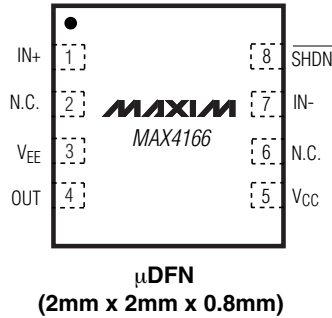


Figure 15. Power-Up/Down Supply Current

# High-Output-Drive, Precision, Low-Power, Single-Supply, Rail-to-Rail I/O Op Amps with Shutdown

## Pin Configurations (continued)

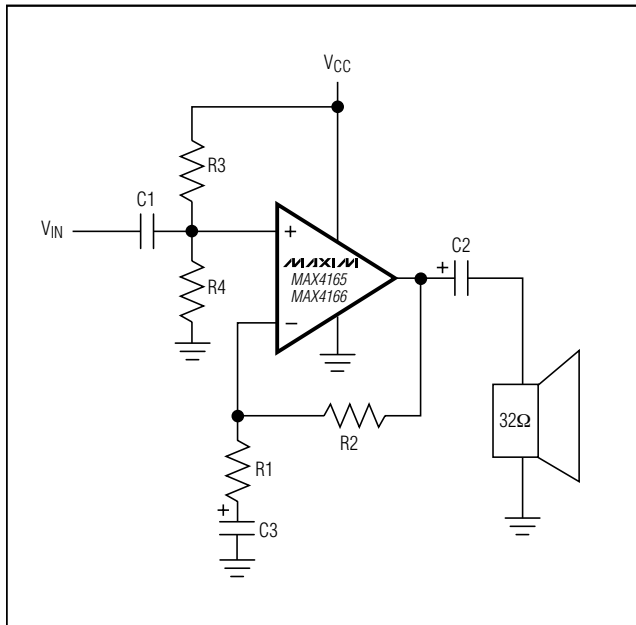
TOP VIEW



# High-Output-Drive, Precision, Low-Power, Single-Supply, Rail-to-Rail I/O Op Amps with Shutdown

**MAX4165-MAX4169**

## Typical Operating Circuit



## Ordering Information (continued)

| PART              | TEMP RANGE     | PIN-PACKAGE    | TOP MARK |
|-------------------|----------------|----------------|----------|
| <b>MAX4167EPA</b> | -40°C to +85°C | 8 Plastic DIP  | —        |
| MAX4167ESA        | -40°C to +85°C | 8 SO           | —        |
| <b>MAX4168EPD</b> | -40°C to +85°C | 14 Plastic DIP | —        |
| MAX4168ESD        | -40°C to +85°C | 14 SO          | —        |
| MAX4168EUB        | -40°C to +85°C | 10 μMAX        | —        |
| <b>MAX4169EPD</b> | -40°C to +85°C | 14 Plastic DIP | —        |
| MAX4169ESD        | -40°C to +85°C | 14 SO          | —        |

## Chip Information

MAX4165 TRANSISTOR COUNT: 230  
 MAX4166 TRANSISTOR COUNT: 230  
 MAX4167 TRANSISTOR COUNT: 462  
 MAX4168 TRANSISTOR COUNT: 462  
 MAX4169 TRANSISTOR COUNT: 924

## Package Information

(The package drawing(s) in this data sheet may not reflect the most current specifications. For the latest package outline information go to [www.maxim-ic.com/packages](http://www.maxim-ic.com/packages).)

| DIM | INCHES     |       | MILLIMETERS |      |
|-----|------------|-------|-------------|------|
|     | MIN        | MAX   | MIN         | MAX  |
| A   | -          | 0.043 | -           | 1.10 |
| A1  | 0.002      | 0.006 | 0.05        | 0.15 |
| A2  | 0.030      | 0.037 | 0.75        | 0.95 |
| b   | 0.010      | 0.014 | 0.25        | 0.36 |
| c   | 0.005      | 0.007 | 0.13        | 0.18 |
| D   | 0.116      | 0.120 | 2.95        | 3.05 |
| e   | 0.0256 BSC |       | 0.65 BSC    |      |
| E   | 0.116      | 0.120 | 2.95        | 3.05 |
| H   | 0.188      | 0.198 | 4.78        | 5.03 |
| L   | 0.016      | 0.026 | 0.41        | 0.66 |
| α   | 0°         | 6°    | 0°          | 6°   |
| S   | 0.0207 BSC |       | 0.5250 BSC  |      |

**NOTES:**

1. D&E DO NOT INCLUDE MOLD FLASH.
2. MOLD FLASH OR PROTRUSIONS NOT TO EXCEED 0.15MM (.006").
3. CONTROLLING DIMENSION: MILLIMETERS.
4. MEETS JEDEC MO-187C-AA.

PROPRIETARY INFORMATION  
 TITLE: PACKAGE OUTLINE, 8L uMAX uSOP  
 APPROVAL: \_\_\_\_\_ DOCUMENT CONTROL NO. 21-0036 REV. J 1/1

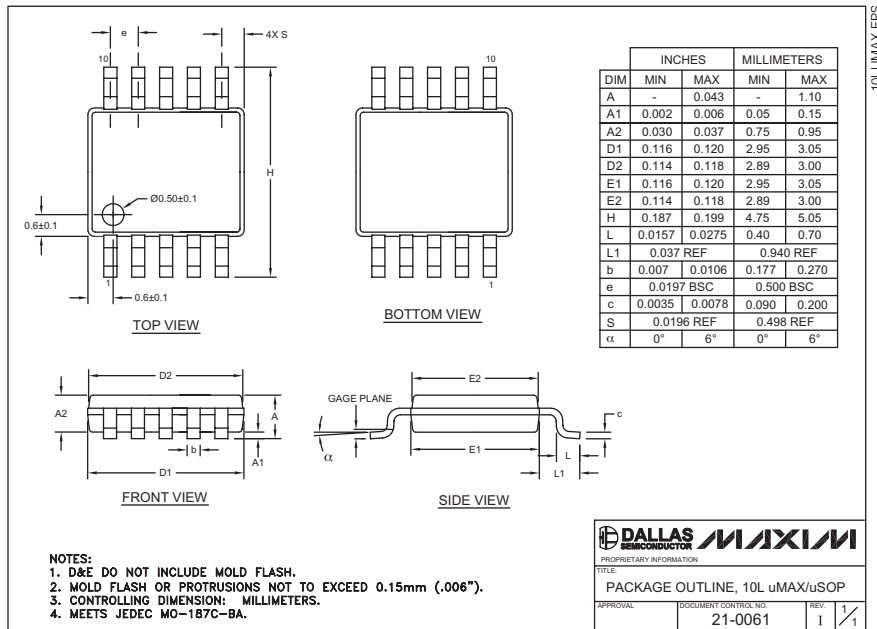
# High-Output-Drive, Precision, Low-Power, Single-Supply, Rail-to-Rail I/O Op Amps with Shutdown

## Package Information (continued)

(The package drawing(s) in this data sheet may not reflect the most current specifications. For the latest package outline information go to [www.maxim-ic.com/packages](http://www.maxim-ic.com/packages).)



SOT-23, 5L, EPS



10L uMAX, EPS

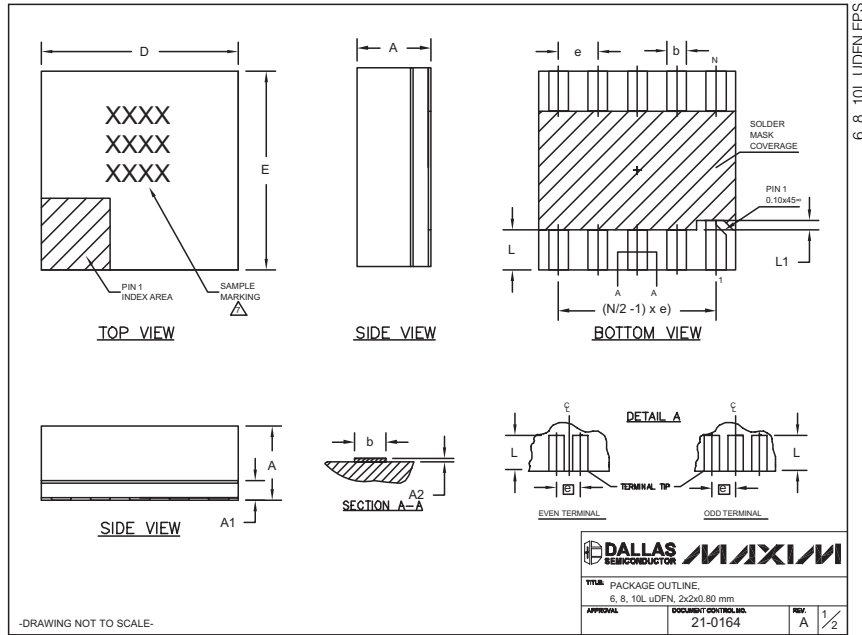


# High-Output-Drive, Precision, Low-Power, Single-Supply, Rail-to-Rail I/O Op Amps with Shutdown

## Package Information (continued)

(The package drawing(s) in this data sheet may not reflect the most current specifications. For the latest package outline information go to [www.maxim-ic.com/packages](http://www.maxim-ic.com/packages).)

MAX4165-MAX4169



| COMMON DIMENSIONS |           |       |       |
|-------------------|-----------|-------|-------|
| SYMBOL            | MIN.      | NOM.  | MAX.  |
| A                 | 0.70      | 0.75  | 0.80  |
| A1                | 0.15      | 0.20  | 0.25  |
| A2                | 0.020     | 0.025 | 0.035 |
| D                 | 1.95      | 2.00  | 2.05  |
| E                 | 1.95      | 2.00  | 2.05  |
| L                 | 0.30      | 0.40  | 0.50  |
| L1                | 0.10 REF. |       |       |

| PACKAGE VARIATIONS |    |          |           |               |
|--------------------|----|----------|-----------|---------------|
| PKG. CODE          | N  | e        | b         | (N/2 - 1) x e |
| L622-1             | 6  | 0.65 BSC | 0.30±0.05 | 1.30 REF.     |
| L822-1             | 8  | 0.50 BSC | 0.25±0.05 | 1.50 REF.     |
| L1022-1            | 10 | 0.40 BSC | 0.20±0.03 | 1.60 REF.     |

NOTES:

1. ALL DIMENSIONS ARE IN mm. ANGLES IN DEGREES.
2. COPLANARITY SHALL NOT EXCEED 0.08mm.
3. WARPAGE SHALL NOT EXCEED 0.10mm.
4. PACKAGE LENGTH/PACKAGE WIDTH ARE CONSIDERED AS SPECIAL CHARACTERISTIC(S).
5. "N" IS THE TOTAL NUMBER OF LEADS.
6. NUMBER OF LEADS SHOWN ARE FOR REFERENCE ONLY.
7. MARKING IS FOR PACKAGE ORIENTATION REFERENCE ONLY.

|   |                        |              |       |
|---|------------------------|--------------|-------|
| <b>DALLAS SEMICONDUCTOR</b>                           |                        | <b>MAXIM</b> |       |
| TITLE: PACKAGE OUTLINE<br>6, 8, 10L uDFN, 2x2x0.80 mm |                        |              |       |
| APPROVAL  | DOCUMENT CONTROL, INC. | REV:         | A 1/2 |
|   | 21-0164                |              |       |

-DRAWING NOT TO SCALE-

Maxim cannot assume responsibility for use of any circuitry other than circuitry entirely embodied in a Maxim product. No circuit patent licenses are implied. Maxim reserves the right to change the circuitry and specifications without notice at any time.

Maxim Integrated Products, 120 San Gabriel Drive, Sunnyvale, CA 94086 408-737-7600 \_\_\_\_\_ 17

Компания «Океан Электроники» предлагает заключение долгосрочных отношений при поставках импортных электронных компонентов на взаимовыгодных условиях!

Наши преимущества:

- Поставка оригинальных импортных электронных компонентов напрямую с производств Америки, Европы и Азии, а так же с крупнейших складов мира;
- Широкая линейка поставок активных и пассивных импортных электронных компонентов (более 30 млн. наименований);
- Поставка сложных, дефицитных, либо снятых с производства позиций;
- Оперативные сроки поставки под заказ (от 5 рабочих дней);
- Экспресс доставка в любую точку России;
- Помощь Конструкторского Отдела и консультации квалифицированных инженеров;
- Техническая поддержка проекта, помощь в подборе аналогов, поставка прототипов;
- Поставка электронных компонентов под контролем ВП;
- Система менеджмента качества сертифицирована по Международному стандарту ISO 9001;
- При необходимости вся продукция военного и аэрокосмического назначения проходит испытания и сертификацию в лаборатории (по согласованию с заказчиком);
- Поставка специализированных компонентов военного и аэрокосмического уровня качества (Xilinx, Altera, Analog Devices, Intersil, Interpoint, Microsemi, Actel, Aeroflex, Peregrine, VPT, Syfer, Eurofarad, Texas Instruments, MS Kennedy, Miteq, Cobham, E2V, MA-COM, Hittite, Mini-Circuits, General Dynamics и др.);

Компания «Океан Электроники» является официальным дистрибьютором и эксклюзивным представителем в России одного из крупнейших производителей разъемов военного и аэрокосмического назначения «JONHON», а так же официальным дистрибьютором и эксклюзивным представителем в России производителя высокотехнологичных и надежных решений для передачи СВЧ сигналов «FORSTAR».



## JONHON

«JONHON» (основан в 1970 г.)

Разъемы специального, военного и аэрокосмического назначения:

(Применяются в военной, авиационной, аэрокосмической, морской, железнодорожной, горно- и нефтедобывающей отраслях промышленности)

«FORSTAR» (основан в 1998 г.)

ВЧ соединители, коаксиальные кабели, кабельные сборки и микроволновые компоненты:

(Применяются в телекоммуникациях гражданского и специального назначения, в средствах связи, РЛС, а так же военной, авиационной и аэрокосмической отраслях промышленности).



Телефон: 8 (812) 309-75-97 (многоканальный)

Факс: 8 (812) 320-03-32

Электронная почта: [ocean@oceanchips.ru](mailto:ocean@oceanchips.ru)

Web: <http://oceanchips.ru/>

Адрес: 198099, г. Санкт-Петербург, ул. Калинина, д. 2, корп. 4, лит. А