

Altech Corp.®

Serving the Automation & Control Industry since 1984



**Mechanical
Thermostat**



Panel Light



Panel Filters



Altech Panel Accessories



LED Panel Light APL-Series

- Energy efficient LED technology
- Long life
- Magnet or Screw mounting
- Daisy chain (up to 10 lights)
- Maintenance-free
- On/off switch or motion sensor
- Wide Voltage Range (AC or DC)
- Integrated power unit



Technical Details

| | |
|-------------------------|---|
| Power Consumption | Max. 5W |
| Luminosity | 290Lm at 120° / 870Lm at 360° (equals 75W light bulb) |
| LED Type | Angle of radiation 120°, light color: daylight, color temperature: 8,500k |
| Life Expectancy | 60,000h at 68°F (20°C) |
| Connection | 2-pole connector with snap lock |
| AC | Max. 2.5A / 240VAC, color: white connector |
| DC | Max. 2.5A / 60VDC, color: blue connector |
| Housing | Plastic, transparent |
| Operating Temperature | -22° to 140°F (-30°C to 60°C) |
| Operating Humidity | Max. 80% RH (non-condensing) |
| Protection Type / Class | IP20 |

Attachment Method-Magnet

| Part No. | Operating Voltage | Switch Type | Weight |
|--------------|--|---------------|--------------|
| APL-M120ACLS | 100-240VAC, 50/60Hz (min. 90VAC, max. 265VAC) | on/off switch | 7oz (.44lbs) |
| APL-M24DCLS | 24-48VDC (min. 20VDC, max. 60VDC) | on/off switch | 7oz (.44lbs) |
| APL-M120ACMS | 100-240VAC, 50/60Hz (min. 90VAC, max. 265VAC) | motion sensor | 7oz (.44lbs) |
| APL-M24DCMS | 24-48VDC (min. 20VDC, max. 60VDC) | motion sensor | 7oz (.44lbs) |

Attachment Method-Screw

| Part No. | Operating Voltage | Switch Type | Weight |
|--------------|--|---------------|--------------|
| APL-S120ACLS | 100-240VAC, 50/60Hz (min. 90VAC, max. 265VAC) | on/off switch | 7oz (.44lbs) |
| APL-S24DCLS | 24-48VDC (min. 20VDC, max. 60VDC) | on/off switch | 7oz (.44lbs) |
| APL-S120ACMS | 100-240VAC, 50/60Hz (min. 90VAC, max. 265VAC) | motion sensor | 7oz (.44lbs) |
| APL-S24DCMS | 24-48VDC (min. 20VDC, max. 60VDC) | motion sensor | 7oz (.44lbs) |





Panel Filters



- Mounts Quickly and Easily - no mounting hardware required
- Low external Profile
- UV & Heat resisting Housing material
- Black or Grey Housing Color
- Filtering Class: G3 according to EN779
- Filtration Efficiency: 85% (DIN24185)
- Filter Mat included



Exhaust Grills

| Part No. Grey (RAL7035) | Part No. Black (RAL9005) | Dust Retention Capacity | Cutout Dimensions | Outer Dimensions |
|----------------------------|-----------------------------|----------------------------|----------------------|---------------------|
| AEG-1000G | AEG-1000B | 1.96oz/ft ² | 3.62"x3.62" | 4.2"x4.2"x0.9" |
| AEG-2000G | AEG-2000B | 1.96oz/ft ² | 4.92"x4.92" | 5.9"x5.9"x1.1" |
| AEG-3000G | AEG-3000B | 1.96oz/ft ² | 6.97"x6.97" | 8.0"x8.0"x1.2" |
| AEG-4000G | AEG-4000B | 1.96oz/ft ² | 8.78"x8.78" | 9.8"x9.8"x1.3" |
| AEG-5000G | AEG-5000B | 1.96oz/ft ² | 11.46"x11.46" | 12.8"x12.8"x1.3" |

Filter Fans | 115VAC*

| Part No. Grey (RAL7035) | Part No. Black (RAL7035) | Rated Voltage | Rated Current @ 50/60Hz | Power Usage @ 50/ 60Hz | Max. Airflow | Fan Noise | Static Pressure | Cutout Dimensions |
|----------------------------|-----------------------------|------------------|----------------------------|---------------------------|-----------------|--------------|------------------------|----------------------|
| AFF-1010G-120VAC | AFF-1010B-120VAC | 115VAC | 0.11/ 0.09A | 9/ 7W | 7/ 9CFM | 33dB(A) | 0.13inH ₂ O | 3.62"x3.62" |
| AFF-1020G-120VAC | AFF-1020B-120VAC | 115VAC | 0.15/ 0.13A | 12/ 10W | 13/ 15CFM | 42dB(A) | 0.23inH ₂ O | 3.62"x3.62" |
| AFF-2010G-120VAC | AFF-2010B-120VAC | 115VAC | 0.20/ 0.18A | 16/ 15W | 26/ 29CFM | 49dB(A) | 0.33inH ₂ O | 4.92"x4.92" |
| AFF-2020G-120VAC | AFF-2020B-120VAC | 115VAC | 0.25/ 0.22A | 19/ 17W | 39/ 46CFM | 44dB(A) | 0.35inH ₂ O | 4.92"x4.92" |
| AFF-3010G-120VAC | AFF-3010B-120VAC | 115VAC | 0.21/ 0.20A | 19/ 18W | 59/ 65CFM | 49dB(A) | 0.24inH ₂ O | 6.97"x6.97" |
| AFF-3020G-120VAC | AFF-3020B-120VAC | 115VAC | 0.20/ 0.18A | 16/ 15W | 65/ 76CFM | 44dB(A) | 0.40inH ₂ O | 6.97"x6.97" |
| AFF-4010G-120VAC | AFF-4010B-120VAC | 115VAC | 0.21/ 0.21A | 17/ 16W | 62/ 70CFM | 49dB(A) | 0.23inH ₂ O | 8.78"x8.78" |
| AFF-4020G-120VAC | AFF-4020B-120VAC | 115VAC | 0.28/ 0.26A | 31/ 26W | 133/ 169CFM | 55dB(A) | 0.84inH ₂ O | 8.78"x8.78" |
| AFF-5010G-120VAC | AFF-5010B-120VAC | 115VAC | 0.68/ 0.73A | 74/ 83W | 306/ 359CFM | 69dB(A) | 0.78inH ₂ O | 11.46"x11.46" |

* 230VAC version available, please contact Altech for availability

Filter Fans | 24VDC

| Part No. Grey (RAL7035) | Part No. Black (RAL7035) | Rated Voltage | Rated Current | Power Usage | Max. Airflow | Fan Noise | Static Pressure | Cutout Dimensions |
|----------------------------|-----------------------------|------------------|------------------|----------------|-----------------|--------------|------------------------|----------------------|
| AFF-1010G-24VDC | AFF-1010B-24VDC | 24VAC | 0.09A | 2W | 9CFM | 30dB(A) | 0.11inH ₂ O | 3.62"x3.62" |
| AFF-1020G-24VDC | AFF-1020B-24VDC | 24VAC | 0.61A | 15W | 29CFM | 59dB(A) | 0.64inH ₂ O | 3.62"x3.62" |
| AFF-2010G-24VDC | AFF-2010B-24VDC | 24VAC | 0.31A | 7W | 27CFM | 42dB(A) | 0.23inH ₂ O | 4.92"x4.92" |
| AFF-3010G-24VDC | AFF-3010B-24VDC | 24VAC | 0.34A | 8W | 60CFM | 42dB(A) | 0.24inH ₂ O | 6.97"x6.97" |
| AFF-4010G-24VDC | AFF-4010B-24VDC | 24VAC | 0.32A | 8W | 82CFM | 42dB(A) | 0.25inH ₂ O | 6.97"x6.97" |
| AFF-4020G-24VDC | AFF-4020B-24VDC | 24VAC | 0.71A | 17W | 132CFM | 58dB(A) | 0.26inH ₂ O | 8.78"x8.78" |

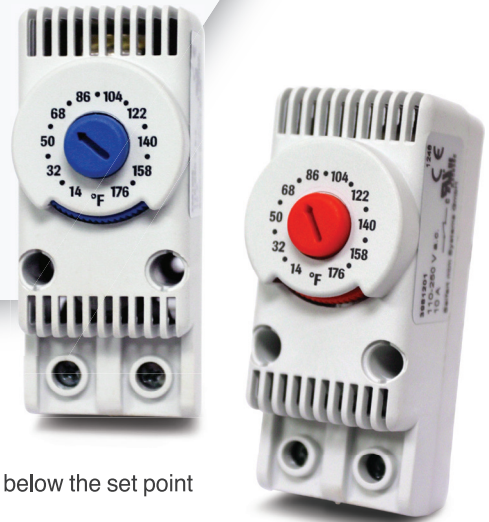


Mechanical Thermostats

The APT Altech Mechanical Panel Thermostats are designed to control the air temperature inside of enclosures and control panels. They can be used for enclosure heaters, cooling equipment (e.g. filter fans), or signal devices.



- Adjustable Temperature Control
- Wide Adjustment Range
- Color Coded Dial (Red: Heating, Blue: Cooling)
- DIN Rail Mountable



The **Heating version** (red dial, NC) has closed contacts when the temperature is below the set point value and opens with rising temperature.

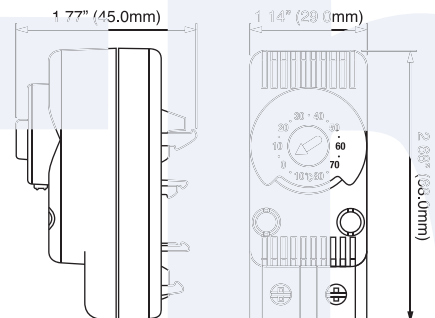
The **Cooling version** (blue dial, NO) has open contacts when the temperature is below the set point value and closes with rising temperature.

Technical Details

| | |
|-----------------------------|---|
| Rated Voltage | 110 - 250 VAC |
| Rated Current | 10A |
| Max. Rated Current | 15A |
| Hysteresis | +/-3K |
| Differential | -3°K NC version / +4°K NO version up to 5A / +7°K NC version > 5A |
| Lifetime | > 100,000 cycles |
| Terminal Size Acceptability | 23 - 13 AWG (0.75 - 2.5mm ²) |
| Protection Level | IP20 |
| Enclosure Material | PA66, UL94V-0 |
| Weight | 1.9oz. (54g) |

Mechanical Thermostats

| Part No. | Function | Contact | Temperature Scale | Setting Range |
|----------|----------|---------|-------------------|---------------|
| APT-HNCF | Heating | NC | Fahrenheit | 14 - 176°F |
| APT-CNOF | Cooling | NO | Fahrenheit | 14 - 176°F |
| APT-HNCC | Heating | NC | Celsius | -10 - 80°C |
| APT-CNOC | Cooling | NO | Celsius | -10 - 80°C |



Thermostat Dimensions

Lighting Accessories

Power cable with female connector



| Part No. | Length | Volt. Type | Color |
|----------|---------|------------|-----------------------------------|
| APL-PCAC | 6.5 ft. | AC | Connector: white; Cable: white |
| APL-PCDC | 6.5 ft. | DC | Connector: blue; Cable: white |

Extension cable with 2 connectors for daisy chain



| Part No. | Length | Volt. Type | Color |
|----------|---------|------------|-----------------------------------|
| APL-ECAC | 3.3 ft. | AC | Connector: white; Cable: white |
| APL-ECDC | 3.3 ft. | DC | Connector: blue; Cable: white |

Female / Male Connectors



| Part No. | Connector Type | Volt. Type | Color |
|----------|----------------|------------|-------|
| APL-FAC | Female | AC | White |
| APL-MAC | Male | AC | White |
| APL-FDC | Female | DC | Blue |
| APL-MDC | Male | DC | Blue |

Door Limit Switch



| Part No. | Contact | Voltage Rating |
|----------|-----------------------------------|----------------|
| APL-DS | NO / NC | 24-250 VAC/DC |
| APL-SL | Slide limit switch (Bar mounting) | |

Filter Fan Accessories

Replacement Filter Mats



- Made of washable non-woven synthetic fibers
- Can be cleaned up to 10 times by washing or blowing dry
- Black or Grey Housing Color
- NEMA 12 or NEMA 3R Filter Class available
- Sold in kits of 6pcs

| Part No. | Filter Rating | Used with Filter Fan | Used with Exhaust Grill | Dimensions |
|----------|---------------|----------------------|-------------------------|-------------|
| AFM-1012 | NEMA12 | AFF-10xx | AEG-1000 | 3.3"x3.3" |
| AFM-2012 | NEMA12 | AFF-20xx | AEG-2000 | 4.6"x4.6" |
| AFM-3012 | NEMA12 | AFF-30xx | AEG-3000 | 6.6"x6.6" |
| AFM-4012 | NEMA12 | AFF-40xx | AEG-4000 | 8.5"x8.5" |
| AFM-5012 | NEMA12 | AFF-50xx | AEG-5000 | 11.1"x11.1" |



Altech Search

- Home
- Stock Check
- Distributors
- Information
- News
- Contact
- Rep/Disti Login
- Altech Mexico

WEB TOOLS

- Product Crossings
- Request for Quote
- Sample Request
- Catalog Request

PRODUCT MENU

Circuit Protection / Control

Connectors

Enclosures

European Spare Parts

Digital Panel Meters

Foot Switches

Interface Modules

Power Supplies

Power Semi-Conductors

Programmable Controllers

Push Buttons & Pilot Lights

Relays

Sensors

Terminal Blocks

Tower Lights

Timers

Wire & Cable Management

Home

New Products and Promotions

Serving the Automation & Control Industry Since 1984

Circuit Protection

| | | | | |
|--|---|--|---|--|
|  Circuit Protection Devices |  Busbar and Power Distribution |  Contactors, Overload Relays, Manual Motor Starters |  Motor Disconnect Switches |  European Fuses |
|--|---|--|---|--|

Connectors

| | | | | |
|---|--|---|---|---|
|  Industrial Rectangular Connectors |  Pin & Sleeve Devices |  Receptacles |  Foot Switches |  Inductive Proximity Sensors |
|---|--|---|---|---|

Enclosures

| | | | | |
|---|--|---|---|---|
|  Industrial Enclosures |  DIN Enclosures |  Interface Modules |  Safety Relays |  Slimline Relays |
|---|--|---|---|---|

Modules & Relays

Power Supplies

| | | | |
|--|---|--|---|
|  Power Supplies |  22 & 30 mm Push Buttons |  DIN Rail |  Wire & Cable Management |
|--|---|--|---|

Push Buttons

DIN Rail

Wire & Cable Management

Terminal Blocks

| | | | | |
|--|---|---|---|---|
|  Din Rail Terminal Blocks |  Panel Mount Terminal Blocks |  Printed Circuit Board Terminal Blocks |  Eurostrips® |  Distribution Blocks |
|--|---|---|---|---|

Miscellaneous

| | | | | |
|--|---|---|--|--|
|  Ferrules |  Custom Assembly |  Marking & Engraving Systems |  Altech Smart Relay |  Tower Lights |
|--|---|---|--|--|

Altech Corporation
35 Royal Road
Flemington, NJ 08822-6000
P 908.806.9400 • F 908.806.9490
www.altechcorp.com



Компания «Океан Электроники» предлагает заключение долгосрочных отношений при поставках импортных электронных компонентов на взаимовыгодных условиях!

Наши преимущества:

- Поставка оригинальных импортных электронных компонентов напрямую с производств Америки, Европы и Азии, а так же с крупнейших складов мира;
- Широкая линейка поставок активных и пассивных импортных электронных компонентов (более 30 млн. наименований);
- Поставка сложных, дефицитных, либо снятых с производства позиций;
- Оперативные сроки поставки под заказ (от 5 рабочих дней);
- Экспресс доставка в любую точку России;
- Помощь Конструкторского Отдела и консультации квалифицированных инженеров;
- Техническая поддержка проекта, помощь в подборе аналогов, поставка прототипов;
- Поставка электронных компонентов под контролем ВП;
- Система менеджмента качества сертифицирована по Международному стандарту ISO 9001;
- При необходимости вся продукция военного и аэрокосмического назначения проходит испытания и сертификацию в лаборатории (по согласованию с заказчиком);
- Поставка специализированных компонентов военного и аэрокосмического уровня качества (Xilinx, Altera, Analog Devices, Intersil, Interpoint, Microsemi, Actel, Aeroflex, Peregrine, VPT, Syfer, Eurofarad, Texas Instruments, MS Kennedy, Miteq, Cobham, E2V, MA-COM, Hittite, Mini-Circuits, General Dynamics и др.);

Компания «Океан Электроники» является официальным дистрибьютором и эксклюзивным представителем в России одного из крупнейших производителей разъемов военного и аэрокосмического назначения «JONHON», а так же официальным дистрибьютором и эксклюзивным представителем в России производителя высокотехнологичных и надежных решений для передачи СВЧ сигналов «FORSTAR».



JONHON

«JONHON» (основан в 1970 г.)

Разъемы специального, военного и аэрокосмического назначения:

(Применяются в военной, авиационной, аэрокосмической, морской, железнодорожной, горно- и нефтедобывающей отраслях промышленности)

«FORSTAR» (основан в 1998 г.)

ВЧ соединители, коаксиальные кабели, кабельные сборки и микроволновые компоненты:

(Применяются в телекоммуникациях гражданского и специального назначения, в средствах связи, РЛС, а так же военной, авиационной и аэрокосмической отраслях промышленности).



Телефон: 8 (812) 309-75-97 (многоканальный)

Факс: 8 (812) 320-03-32

Электронная почта: ocean@oceanchips.ru

Web: <http://oceanchips.ru/>

Адрес: 198099, г. Санкт-Петербург, ул. Калинина, д. 2, корп. 4, лит. А