

# Infineon® LITIX™ Power

Multitopology LITIX™ Power DC/DC Controller IC

TLD5097EL

## Infineon® LITIX™ Power

Multitopology LITIX™ Power DC/DC Controller IC

### Data Sheet

Revision 1.0

2015-03-12

Automotive Power

## Table of Contents

|           |   |           |
|-----------|---|-----------|
|           | <b>Table of Contents</b> .....                          | <b>2</b>  |
| <b>1</b>  | <b>Overview</b> .....                                   | <b>3</b>  |
| <b>2</b>  | <b>Block Diagram</b> .....                              | <b>4</b>  |
| <b>3</b>  | <b>Pin Configuration</b> .....                          | <b>5</b>  |
| 3.1       | Pin Assignment .....                                    | 5         |
| 3.2       | Pin Definitions and Functions .....                     | 5         |
| <b>4</b>  | <b>General Product Characteristics</b> .....            | <b>7</b>  |
| 4.1       | Absolute Maximum Ratings .....                          | 7         |
| 4.2       | Functional Range .....                                  | 9         |
| 4.3       | Thermal Resistance .....                                | 10        |
| <b>5</b>  | <b>Switching Regulator</b> .....                        | <b>11</b> |
| 5.1       | Description .....                                       | 11        |
| 5.2       | Electrical Characteristics .....                        | 12        |
| <b>6</b>  | <b>Oscillator and Synchronisation</b> .....             | <b>14</b> |
| 6.1       | Description .....                                       | 14        |
| 6.2       | Electrical Characteristics .....                        | 15        |
| 6.3       | Typical Performance Characteristics of Oscillator ..... | 16        |
| <b>7</b>  | <b>Enable and Dimming Function</b> .....                | <b>17</b> |
| 7.1       | Electrical Characteristics .....                        | 18        |
| <b>8</b>  | <b>Linear Regulator</b> .....                           | <b>20</b> |
| 8.1       | Electrical Characteristics .....                        | 21        |
| <b>9</b>  | <b>Protection and Diagnostic Functions</b> .....        | <b>22</b> |
| 9.1       | Description .....                                       | 22        |
| 9.2       | Electrical Characteristics .....                        | 26        |
| <b>10</b> | <b>Analog Dimming</b> .....                             | <b>27</b> |
| 10.1      | Purpose of Analog Dimming .....                         | 27        |
| 10.2      | Description .....                                       | 27        |
| 10.3      | Electrical Characteristics .....                        | 31        |
| <b>11</b> | <b>Application Information</b> .....                    | <b>32</b> |
| 11.1      | Further Application Information .....                   | 38        |
| <b>12</b> | <b>Package Outlines</b> .....                           | <b>39</b> |

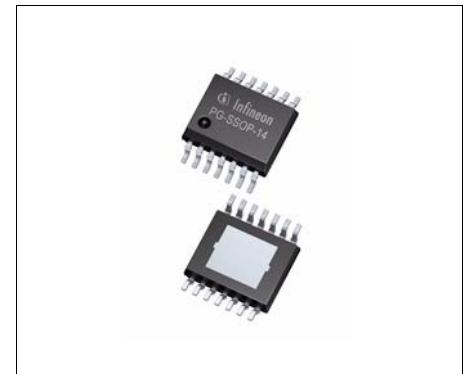
## TLD5097EL

Infineon® LITIX™ Power



### 1 Overview

- Wide Input Voltage Range from 4.5 V to 45 V
- Constant Current or Constant Voltage Regulation
- Drives LEDs in Boost, Buck, Buck-Boost, SEPIC and Flyback Topology
- Very Low Shutdown Current:  $I_{q\_OFF} < 10 \mu A$
- Flexible Switching Frequency Range, 100 kHz to 500 kHz
- Synchronization with external clock source
- PWM Dimming
- Analog Dimming feature to adjust average LED current
- Internal 5 V Low Drop Out Voltage Regulator
- Open Circuit Detection
- Output Overvoltage Protection
- Internal Soft Start
- Over Temperature Shutdown
- Wide LED current range via simple adaptation of external components
- 300mV High Side Current Sense to ensure highest flexibility and LED current accuracy
- Available in a small thermally enhanced PG-SSOP-14 package
- Automotive AEC Qualified
- Green Product (RoHS) Compliant



PG-SSOP-14

### Description

The TLD5097EL is a LED boost controller with built in protection features. The main function of this device is to regulate a constant LED current. The constant current regulation is especially beneficial for LED color accuracy and longer lifetime. The controller concept of the TLD5097EL allows multiple configurations such as Boost, Buck, Buck-Boost, SEPIC and Flyback by simply adjusting the external components. The TLD5097EL offers the most flexible dimming options. Dimming can be achieved with analog or PWM input. The switching frequency is adjustable in the range of 100 kHz to 500 kHz and can be synchronized to an external clock source. The TLD5097EL features an enable function reducing the shut-down current consumption to  $I_{q\_OFF} < 10 \mu A$ . The current mode regulation scheme of this device provides a stable regulation loop maintained by small external compensation components. The integrated soft start feature limits the current peak as well as voltage overshoot at start-up. This IC is suited for use in the harsh automotive environments and provides output overvoltage protection and device overtemperature shutdown.

### Application

- Automotive Exterior and Interior Lighting

| Type      | Package    | Marking |
|-----------|------------|---------|
| TLD5097EL | PG-SSOP-14 | TLD5097 |

Block Diagram

2 Block Diagram

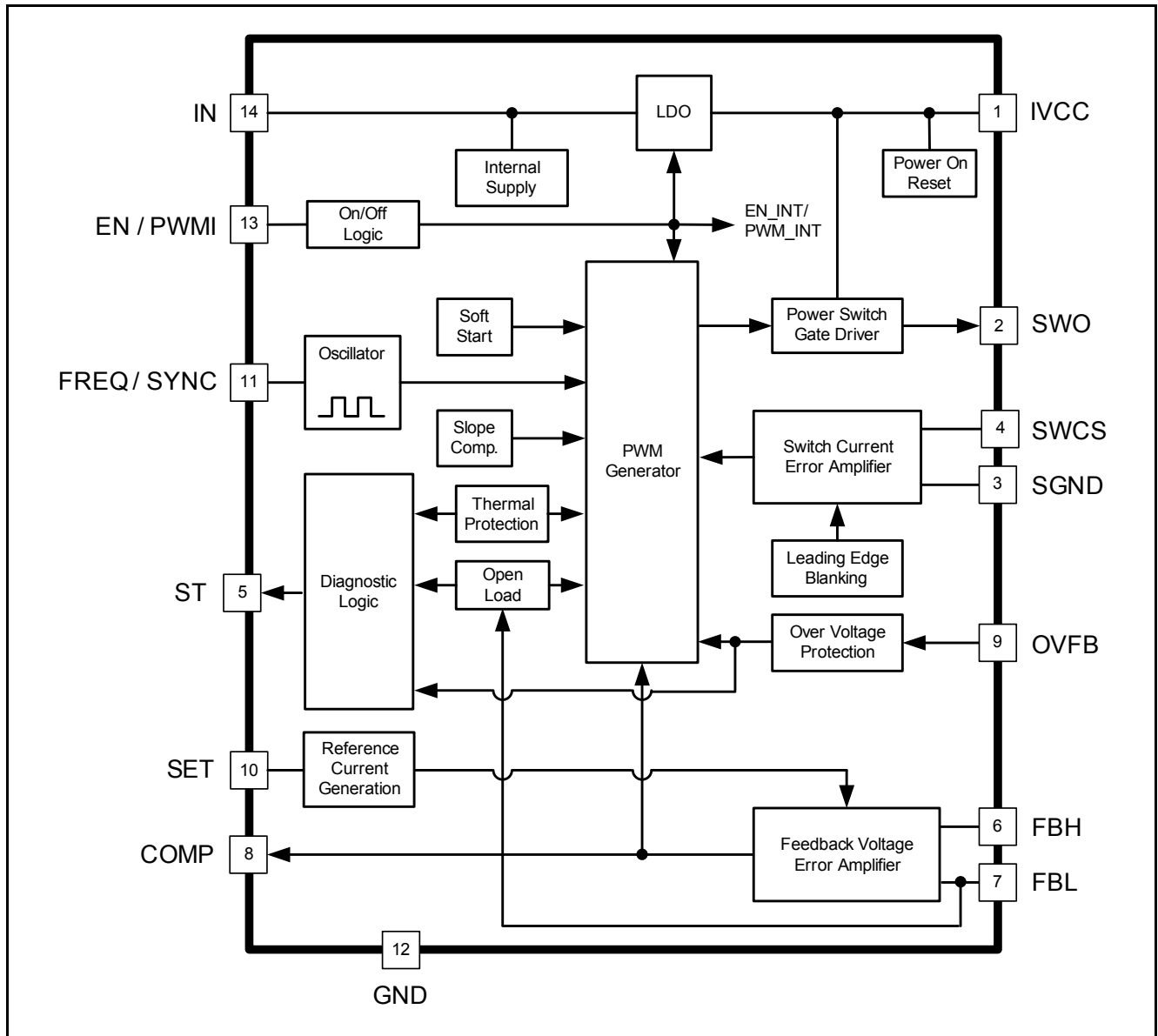


Figure 2-1 Block Diagram TLD5097EL

Pin Configuration

### 3 Pin Configuration

#### 3.1 Pin Assignment

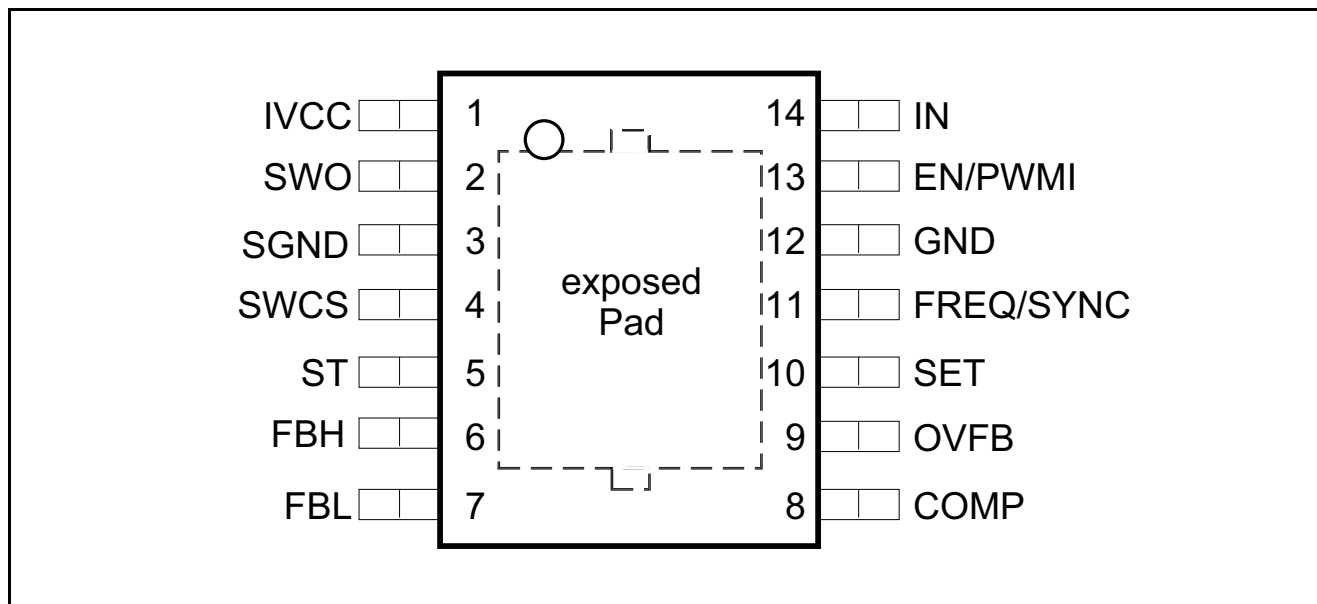


Figure 3-1 Pin Configuration TLD5097EL

#### 3.2 Pin Definitions and Functions

Table 3-1 Pin Definition and Function

| # | Symbol | Direction | Type | Function  |
|---|--------|-----------|------|---|
| 1 | IVCC   |           |      | <b>Internal LDO Output;</b><br>Used for internal biasing and gate drive. Bypass with external capacitor. Pin must not be left open. |
| 2 | SWO    |           |      | <b>Switch Output;</b><br>Connect to gate of external switching MOSFET   |
| 3 | SGND   |           |      | <b>Current Sense Ground;</b><br>Ground return for current sense switch  |
| 4 | SWCS   |           |      | <b>Current Sense Input;</b><br>Detects the peak current through switch  |
| 5 | ST     |           |      | <b>Status Output;</b> to indicate fault conditions  |
| 6 | FBH    |           |      | <b>Voltage Feedback Positive;</b><br>Non inverting Input (+)  |
| 7 | FBL    |           |      | <b>Voltage Feedback Negative;</b><br>Inverting Input (-)  |
| 8 | COMP   |           |      | <b>Compensation Input;</b><br>Connect R and C network to pin for stability  |

**Pin Configuration**

**Table 3-1 Pin Definition and Function**

| #  | Symbol      | Direction | Type | Function  |
|----|-------------|-----------|------|---|
| 9  | OVFB        |           |      | <b>Output Overvoltage Protection Feedback;</b><br>Connect to resistive voltage divider to set overvoltage threshold.  |
| 10 | SET         |           |      | <b>Analog Dimming Input;</b><br>Load current adjustment Pin. Pin must not be left open. If analog dimming feature is not used connect to IVCC pin.  |
| 11 | FREQ / SYNC |           |      | <b>Frequency Select or Synchronization Input;</b><br>Connect external resistor to GND to set frequency.<br>Or apply external clock signal for synchronization within frequency capture range. |
| 12 | GND         |           |      | <b>Ground;</b><br>Connect to system ground.   |
| 13 | EN / PWMI   |           |      | <b>Enable or PWM Input;</b><br>Apply logic HIGH signal to enable device or PWM signal for dimming LED.  |
| 14 | IN          |           |      | <b>Supply Input;</b><br>Supply for internal biasing.  |
|    | EP          |           |      | <b>Exposed Pad;</b><br>Connect to external heat spreading GND Cu area (e.g. inner GND layer of multilayer PCB with thermal vias)  |

General Product Characteristics

## 4 General Product Characteristics

### 4.1 Absolute Maximum Ratings

$T_j = -40^{\circ}\text{C}$  to  $+150^{\circ}\text{C}$ ; all voltages with respect to ground, positive current flowing into pin (unless otherwise specified)

**Table 4-1 Absolute Maximum Ratings<sup>1)</sup>**

| Parameter  | Symbol            | Values |      |      | Unit | Note or Test Condition   | Number   |
|--|-------------------|--------|------|------|------|--|----------|
|  |                   | Min.   | Typ. | Max. |      |  |          |
| <b>Voltages</b>                                      |                   |        |      |      |      |  |          |
| IN<br>Supply Input                                   | $V_{IN}$          | -0.3   |      | 45   | V    |  | P_4.1.1  |
| EN / PWMI<br>Enable or PWM Input                     | $V_{EN}$          | -40    |      | 45   | V    |  | P_4.1.2  |
| FBH-FBL;<br>Feedback Error Amplifier<br>Differential | $V_{FBH}-V_{FBL}$ | -40    |      | 61   | V    | The maximum delta must not exceed 61V  | P_4.1.3  |
| FBH;<br>Feedback Error Amplifier<br>Positive Input   | $V_{FBH}$         | -40    |      | 61   | V    | The difference between $V_{FBH}$ and $V_{FBL}$ must not exceed 61V, refer to Parameter 4.1.3 | P_4.1.4  |
| FBL<br>Feedback Error Amplifier<br>Negative Input    | $V_{FBL}$         | -40    |      | 61   | V    | The difference between $V_{FBH}$ and $V_{FBL}$ must not exceed 61V, refer to Parameter 4.1.3 | P_4.1.5  |
| FBH and FBL Current                                  | $I_{FBL,FBH}$     |        | 1    |      | mA   | $t < 100\text{ms}$ ,<br>$V_{FBH}-V_{FBL}=0.3\text{V}$  | P_4.1.6  |
| OVFB<br>Over Voltage Feedback<br>Input               | $V_{OVP}$         | -0.3   |      | 5.5  | V    |  | P_4.1.7  |
| OVFB<br>Over Voltage Feedback<br>Input               | $V_{OVP}$         | -0.3   |      | 6.2  | V    | $t < 10\text{s}$   | P_4.1.8  |
| SWCS<br>Switch Current Sense Input                   | $V_{SWCS}$        | -0.3   |      | 5.5  | V    |  | P_4.1.9  |
| SWCS<br>Switch Current Sense Input                   | $V_{SWCS}$        | -0.3   |      | 6.2  | V    | $t < 10\text{s}$   | P_4.1.10 |

**General Product Characteristics**

**Table 4-1 Absolute Maximum Ratings<sup>1)</sup>**

| Parameter   | Symbol          | Values |      |      | Unit | Note or Test Condition | Number   |
|---|-----------------|--------|------|------|------|------------------------|----------|
|   |                 | Min.   | Typ. | Max. |      |                        |          |
| SWO<br>Switch Gate Drive Output                     | $V_{SWO}$       | -0.3   |      | 5.5  | V    |                        | P_4.1.11 |
| SWO<br>Switch Gate Drive Output                     | $V_{SWO}$       | -0.3   |      | 6.2  | V    | t < 10s                | P_4.1.12 |
| SGND<br>Current Sense Switch GND                    | $V_{SGND}$      | -0.3   |      | 0.3  | V    |                        | P_4.1.13 |
| COMP<br>Compensation Input                          | $V_{COMP}$      | -0.3   |      | 5.5  | V    |                        | P_4.1.14 |
| COMP<br>Compensation Input                          | $V_{COMP}$      | -0.3   |      | 6.2  | V    | t < 10s                | P_4.1.15 |
| FREQ / SYNC; Frequency<br>and Synchronization Input | $V_{FREQ/SYNC}$ | -0.3   |      | 5.5  | V    |                        | P_4.1.16 |
| FREQ / SYNC; Frequency<br>and Synchronization Input | $V_{FREQ/SYNC}$ | -0.3   |      | 6.2  | V    | t < 10s                | P_4.1.17 |
| PWMO<br>PWM Dimming Output                          | $V_{PWMO}$      | -0.3   |      | 5.5  | V    |                        | P_4.1.18 |
| PWMO<br>PWM Dimming Output                          | $V_{PWMO}$      | -0.3   |      | 6.2  | V    | t < 10s                | P_4.1.19 |
| ST  | $V_{ST}$        | -0.3   |      | 5.5  | V    |                        | P_4.1.20 |
| ST  | $V_{ST}$        | -0.3   |      | 6.2  | V    | t < 10s                | P_4.1.21 |
| ST current  | $I_{ST}$        | -2     |      | 2    | mA   |                        | P_4.1.22 |
| SET   | $V_{SET}$       | -0.3   |      | 45   | V    |                        | P_4.1.23 |
| IVCC<br>Internal Linear Voltage<br>Regulator Output | $V_{IVCC}$      | -0.3   |      | 5.5  | V    |                        | P_4.1.24 |
| IVCC<br>Internal Linear Voltage<br>Regulator Output | $V_{IVCC}$      | -0.3   |      | 6.2  | V    | t < 10s                | P_4.1.25 |

**Temperatures**

|                      |           |     |  |     |    |  |          |
|----------------------|-----------|-----|--|-----|----|--|----------|
| Junction Temperature | $T_j$     | -40 |  | 150 | °C |  | P_4.1.26 |
| Storage Temperature  | $T_{stg}$ | -55 |  | 150 | °C |  | P_4.1.27 |

**ESD Susceptibility**

|   |               |    |  |   |    |                   |          |
|---|---------------|----|--|---|----|-------------------|----------|
| ESD Resistivity of all pins                                       | $V_{ESD,HBM}$ | -2 |  | 2 | kV | HBM <sup>2)</sup> | P_4.1.28 |
| ESD Resistivity of IN,<br>EN/PWMI, FBH, FBL and SET<br>pin to GND | $V_{ESD,HBM}$ | -4 |  | 4 | kV | HBM <sup>2)</sup> | P_4.1.29 |

1) Not subject to production test, specified by design.

2) ESD susceptibility, Human Body Model "HBM" according to ANSI/ESDA/JEDEC JS-001 (1.5kΩ, 100pF)



**General Product Characteristics**

Note:

1. Stresses above the ones listed here may cause permanent damage to the device. Exposure to absolute maximum rating conditions for extended periods may affect device reliability.
2. Integrated protection functions are designed to prevent IC destruction under fault conditions described in the data sheet. Fault conditions are considered as “outside” normal operating range. Protection functions are not designed for continuous repetitive operation.

**4.2 Functional Range**

**Table 4-2 Functional Range**

| Parameter                     | Symbol                   | Values |      |                  | Unit | Note or Test Condition   | Number  |
|-------------------------------|--------------------------|--------|------|------------------|------|--|---------|
|                               |                          | Min.   | Typ. | Max.             |      |  |         |
| Extended Supply Voltage Range | $V_{IN}$                 | 4.5    |      | 45 <sup>1)</sup> | V    | $V_{IVCC} > V_{IVCC,RTH,d}$ ;<br>Parameter deviations possible | P_4.2.1 |
| Nominal Supply Voltage Range  | $V_{IN}$                 | 8      |      | 34               | V    |  | P_4.2.2 |
| Feedback Voltage Input        | $V_{FBH}$ ;<br>$V_{FBL}$ | 3      |      | 60               | V    |  | P_4.2.3 |
| Junction Temperature          | $T_j$                    | -40    |      | 150              | °C   |  | P_4.2.4 |

1) Not subject to production test, specified by design

Note: Within the functional range the IC operates as described in the circuit description. The electrical characteristics are specified within the conditions given in the related electrical characteristics table.

**General Product Characteristics**

**4.3 Thermal Resistance**

Note: This thermal data was generated in accordance with JEDEC JESD51 standards.  
 For more information, go to [www.jedec.org](http://www.jedec.org).

**Table 4-3 Thermal Resistance**

| Parameter                         | Symbol     | Values |      |      | Unit | Note or Test Condition    | Number  |
|-----------------------------------|------------|--------|------|------|------|---------------------------|---------|
|                                   |            | Min.   | Typ. | Max. |      |                           |         |
| Junction to Case <sup>1)2)</sup>  | $R_{thJC}$ |        | 10   |      | K/W  |                           | P_4.3.1 |
| Junction to Ambient <sup>3)</sup> | $R_{thJA}$ |        | 47   |      | K/W  | 2s2p                      | P_4.3.2 |
| Junction to Ambient               | $R_{thJA}$ |        | 54   |      | K/W  | 1s0p + 600mm <sup>2</sup> | P_4.3.3 |
| Junction to Ambient               | $R_{thJA}$ |        | 64   |      | K/W  | 1s0p + 300mm <sup>2</sup> | P_4.3.4 |

- 1) Not subject to production test, specified by design.
- 2) Specified  $R_{thJC}$  value is simulated at natural convection on a cold plate setup (all pins and the exposed pad are fixed to ambient temperature). Ta=25°C is dissipating 1W.
- 3) Specified  $R_{thJA}$  value is according to JEDEC 2s2p (JESD 51-7) + (JESD 51-5) and JEDEC 1s0p (JESD 51-3) + heatsink area at natural convection on FR4 board; The device was simulated on a 76.2 x 114.3 x 1.5mm board. The 2s2p board has 2 outer copper layers (2 x 70µm Cu) and 2 inner copper layers (2 x 35µm Cu), A thermal via (diameter = 0.3mm and 25µm plating) array was applied under the exposed pad and connected the first outer layer (top) to the first inner layer and second outer layer (bottom) of the JEDEC PCB. Ta=25°C, IC is dissipating 1W

**Switching Regulator**

## 5 Switching Regulator

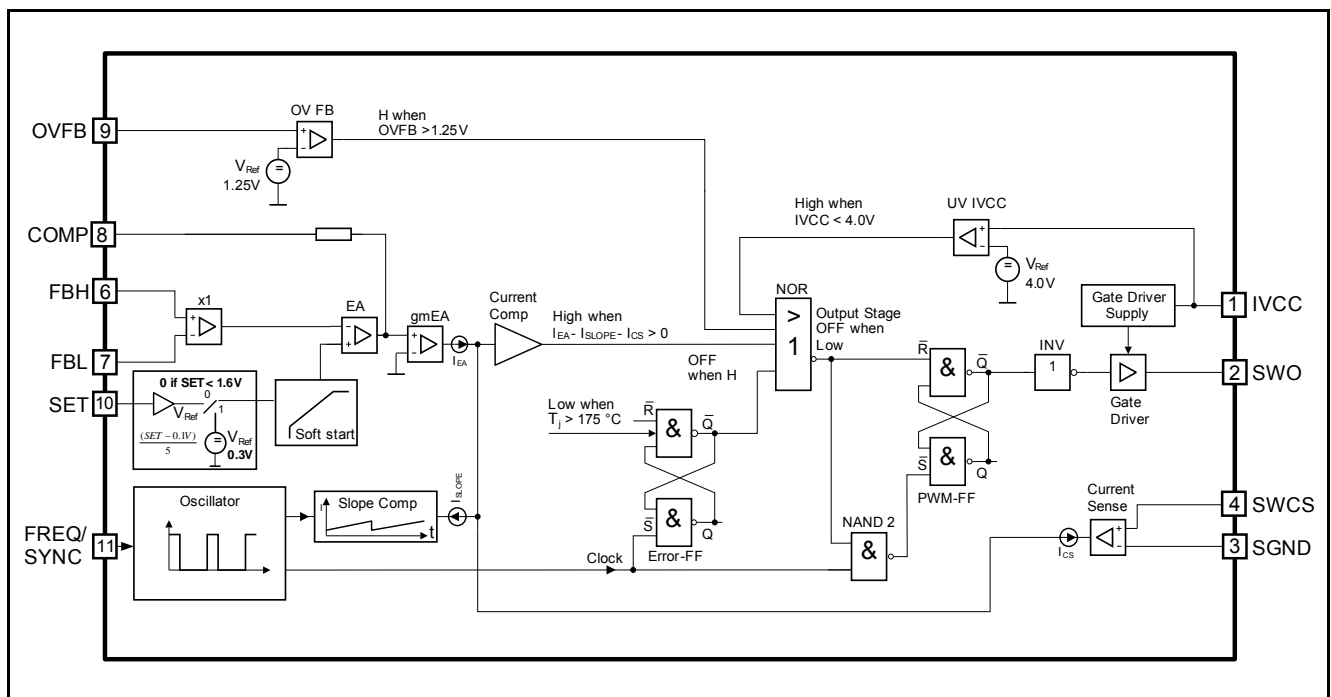
### 5.1 Description

The TLD5097EL regulator is suitable for Boost, Buck, Buck-Boost, SEPIC and Flyback configurations. The constant output current is especially useful for light emitting diode (LED) applications. The switching regulator function is implemented by a pulse width modulated (PWM) current mode controller.

The PWM current mode controller uses the peak current through the external power switch and error in the output current to determine the appropriate pulse width duty cycle (on time) for constant output current. The current mode controller provides a PWM signal to an internal gate driver which then outputs to an external n-channel enhancement mode metal oxide field effect transistor (MOSFET) power switch.

The current mode controller also has built-in slope compensation to prevent sub-harmonic oscillations which is a characteristic of current mode controllers operating at high duty cycles (>50% duty).

An additional built-in feature is an integrated soft start that limits the current through the inductor and external power switch during initialization. The soft start function gradually increases the inductor and switch current over  $t_{SS}$  (Parameter 5.2.9) to minimize potential overvoltage at the output.



**Figure 5-1 Switching Regulator Block Diagram**

**Switching Regulator**

**5.2 Electrical Characteristics**

$V_{IN} = 8\text{ V to }34\text{ V}$ ;  $T_j = -40^\circ\text{C to }+150^\circ\text{C}$ , all voltages with respect to ground, positive current flowing into pin; (unless otherwise specified)

**Table 5-1 Electrical Characteristics: Switching Regulator**

| Parameter                          | Symbol                                       | Values |      |       | Unit          | Note or Test Condition  | Number   |
|------------------------------------|--|--------|------|-------|---------------|---|----------|
|                                    |  | Min.   | Typ. | Max.  |               |   |          |
| <b>Regulator</b>                   |  |        |      |       |               |   |          |
| Feedback Reference Voltage         | $V_{REF}$                                    | 0.29   | 0.30 | 0.31  | V             | refer to <a href="#">Figure 11-11</a><br>$V_{REF} = V_{FBH} - V_{FBL}$<br>$V_{SET} = 5\text{V}$<br>$I_{LED} = 350\text{ mA}$                            | P_5.2.1  |
| Feedback Reference Voltage         | $V_{REF}$                                    | 0.057  | 0.06 | 0.063 | V             | refer to <a href="#">Figure 11-11</a><br>$V_{REF} = V_{FBH} - V_{FBL}$<br>$V_{SET} = 0.4\text{V}$<br>$I_{LED} = 70\text{mA}$                            | P_5.2.2  |
| Feedback Reference Voltage Offset  | $V_{REF\_offset}$                            | –      | –    | 5     | mV            | refer to <a href="#">Figure 10-2</a> and <a href="#">Figure 11-11</a><br>$V_{REF} = V_{FBH} - V_{FBL}$<br>$V_{SET} = 0.1\text{V}$<br>$V_{OUT} > V_{IN}$ | P_5.2.3  |
| Voltage Line Regulation            | $(\Delta V_{REF} / V_{REF}) / \Delta V_{IN}$ | –      | –    | 0.15  | %/V           | refer to <a href="#">Figure 11-11</a><br>$V_{IN} = 8\text{V to }19\text{V}$ ;<br>$V_{SET} = 5\text{V}$ ;<br>$I_{LED} = 350\text{mA}$                    | P_5.2.4  |
| Voltage Load Regulation            | $(\Delta V_{REF} / V_{REF}) / \Delta I_{BO}$ | –      | –    | 5     | %/A           | refer to <a href="#">Figure 11-11</a><br>$V_{SET} = 5\text{V}$ ;<br>$I_{LED} = 100\text{ to }500\text{mA}$  | P_5.2.5  |
| Switch Peak Over Current Threshold | $V_{SWCS}$                                   | 130    | 150  | 170   | mV            | $V_{FBH} = V_{FBL} = 5\text{ V}$<br>$V_{COMP} = 3.5\text{V}$  | P_5.2.6  |
| Maximum Duty Cycle                 | $D_{MAX, fixed}$                             | 91     | 93   | 95    | %             | Fixed frequency mode  | P_5.2.7  |
| Maximum Duty Cycle                 | $D_{MAX, sync}$                              | 88     | –    | –     | %             | Synchronization mode  | P_5.2.8  |
| Soft Start Ramp                    | $t_{SS}$                                     | 350    | 1000 | 1500  | $\mu\text{s}$ | $V_{FB}$ rising from 5% to 95% of $V_{FB}$ , typ.   | P_5.2.9  |
| IFBH Feedback High Input Current   | $I_{FBH}$                                    | 38     | 46   | 54    | $\mu\text{A}$ | $V_{FBH} - V_{FBL} = 0.3\text{ V}$  | P_5.2.10 |

Switching Regulator

Table 5-1 Electrical Characteristics: Switching Regulator

| Parameter                              | Symbol        | Values |      |      | Unit    | Note or Test Condition                                      | Number   |
|--|---------------|--------|------|------|---------|---|----------|
|  |               | Min.   | Typ. | Max. |         |   |          |
| IFBL<br>Feedback Low Input Current     | $I_{FBL}$     | 15     | 21   | 27   | $\mu A$ | $V_{FBH} - V_{FBL} = 0.3 V$                                 | P_5.2.11 |
| Switch Current Sense Input Current     | $I_{SWCS}$    | 10     | 50   | 100  | $\mu A$ | $V_{SWCS} = 150 mV$   | P_5.2.12 |
| Input Undervoltage Shutdown            | $V_{IN,off}$  | 3.5    | –    | 4.5  | V       | $V_{IN}$ decreasing   | P_5.2.13 |
| Input Voltage Startup                  | $V_{IN,on}$   | –      | –    | 4.85 | V       | $V_{IN}$ increasing   | P_5.2.14 |
| <b>Gate Driver for External Switch</b> |               |        |      |      |         |   |          |
| Gate Driver Peak Sourcing Current      | $I_{SWO,src}$ | –      | 380  | –    | mA      | <sup>1)</sup> $V_{SWO} = 1 V$ to 4 V                        | P_5.2.15 |
| Gate Driver Peak Sinking Current       | $I_{SWO,snk}$ | –      | 550  | –    | mA      | <sup>1)</sup> $V_{SWO} = 4 V$ to 1 V                        | P_5.2.16 |
| Gate Driver Output Rise Time           | $t_{R,SWO}$   | –      | 30   | 60   | ns      | <sup>1)</sup> $CL,SWO = 3.3 nF$ ;<br>$V_{SWO} = 1 V$ to 4 V | P_5.2.17 |
| Gate Driver Output Fall Time           | $t_{F,SWO}$   | –      | 20   | 40   | ns      | <sup>1)</sup> $CL,SWO = 3.3 nF$ ;<br>$V_{SWO} = 4 V$ to 1 V | P_5.2.18 |
| Gate Driver Output Voltage             | $V_{SWO}$     | 4.5    | –    | 5.5  | V       | <sup>1)</sup> $CL,SWO = 3.3 nF$                             | P_5.2.19 |

1) Not subject to production test, specified by design

## 6 Oscillator and Synchronisation

### 6.1 Description

#### R\_ OSC vs. switching frequency

The internal oscillator is used to determine the switching frequency of the boost regulator. The switching frequency can be selected from 100 kHz to 500 kHz with an external resistor to GND. To set the switching frequency with an external resistor the following formula can be applied.

(6.1)

$$R_{FREQ} = \frac{1}{(141 \cdot 10^{-12} \left[ \frac{s}{\Omega} \right]) \cdot \left( f_{FREQ} \left[ \frac{1}{s} \right] \right)} - (3.5 \cdot 10^3 [\Omega]) [\Omega]$$

In addition, the oscillator is capable of changing from the frequency set by the external resistor to a synchronized frequency from an external clock source. If an external clock source is provided on the pin FREQ/SYNC, then the internal oscillator synchronizes to this external clock frequency and the boost regulator switches at the synchronized frequency. The synchronization frequency capture range is 250 kHz to 500 kHz.

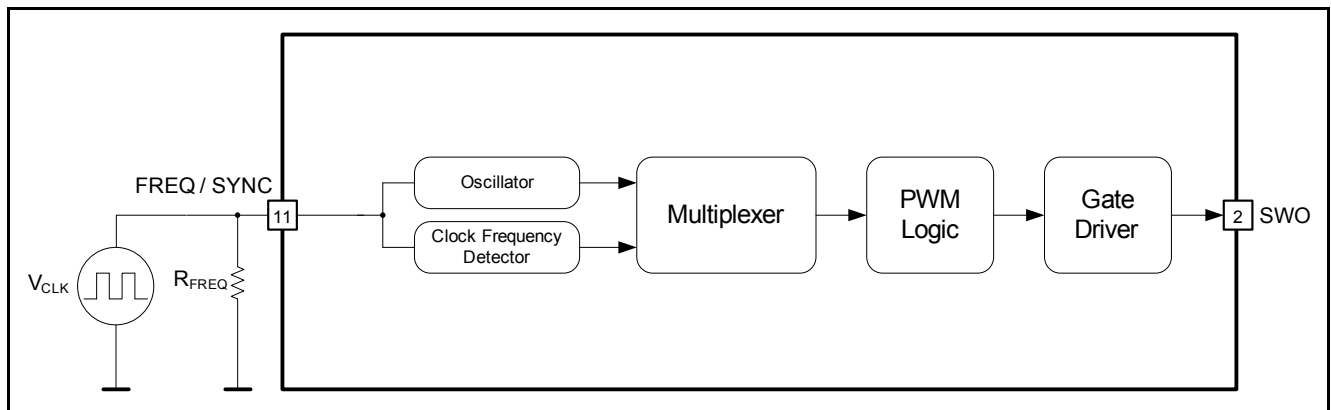


Figure 6-1 Oscillator and Synchronization Block Diagram and Simplified Application Circuit

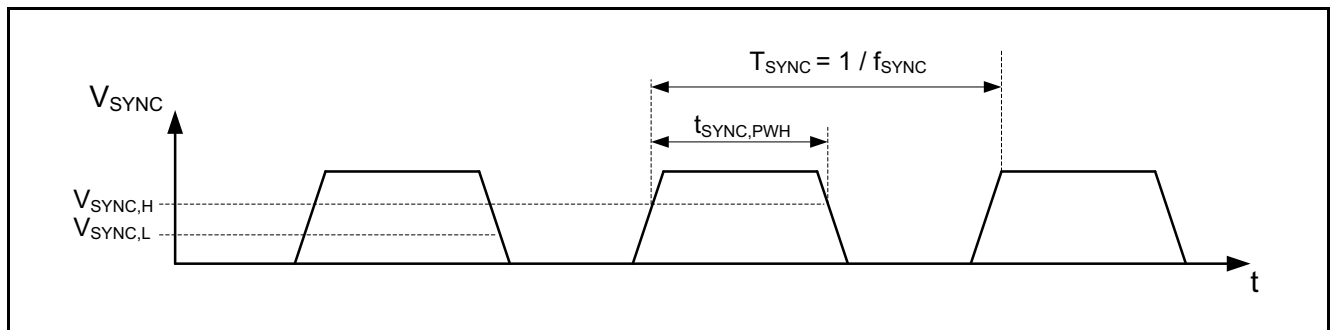


Figure 6-2 Synchronization Timing Diagram

**Oscillator and Synchronisation**

**6.2 Electrical Characteristics**

$V_{IN} = 8\text{ V to }34\text{ V}$ ;  $T_j = -40^\circ\text{C to }+150^\circ\text{C}$ , all voltages with respect to ground, positive current flowing into pin; (unless otherwise specified)

**Table 6-1 Electrical Characteristics: Oscillator and Synchronisation**

| Parameter                                     | Symbol         | Values |      |      | Unit          | Note or Test Condition        | Number  |
|---|----------------|--------|------|------|---------------|-------------------------------|---------|
|   |                | Min.   | Typ. | Max. |               |                               |         |
| <b>Oscillator</b>                             |                |        |      |      |               |                               |         |
| Oscillator Frequency                          | $f_{FREQ}$     | 250    | 300  | 350  | kHz           | $R_{FREQ} = 20\text{k}\Omega$ | P_6.2.1 |
| Oscillator Frequency Adjustment Range         | $f_{FREQ}$     | 100    | –    | 500  | kHz           |                               | P_6.2.2 |
| FREQ / SYNC Supply Current                    | $I_{FREQ}$     | –      | –    | -700 | $\mu\text{A}$ | $V_{FREQ} = 0\text{ V}$       | P_6.2.3 |
| Frequency Voltage                             | $V_{FREQ}$     | 1.16   | 1.24 | 1.32 | V             | $f_{FREQ} = 100\text{ kHz}$   | P_6.2.4 |
| <b>Synchronisation</b>                        |                |        |      |      |               |                               |         |
| Synchronization Frequency Capture Range       | $f_{SYNC}$     | 250    | –    | 500  | kHz           |                               | P_6.2.5 |
| Synchronization Signal High Logic Level Valid | $V_{SYNC,H}$   | 3.0    | –    | –    | V             | 1)2)                          | P_6.2.6 |
| Synchronization Signal Low Logic Level Valid  | $V_{SYNC,L}$   | –      | –    | 0.8  | V             | 1)2)                          | P_6.2.7 |
| Synchronization Signal Logic High Pulse Width | $t_{SYNC,PWH}$ | 200    | –    | –    | ns            | 1)2)                          | P_6.2.8 |

1) Synchronization of external PWM ON signal to falling edge

2) Not subject to production test, specified by design

### 6.3 Typical Performance Characteristics of Oscillator

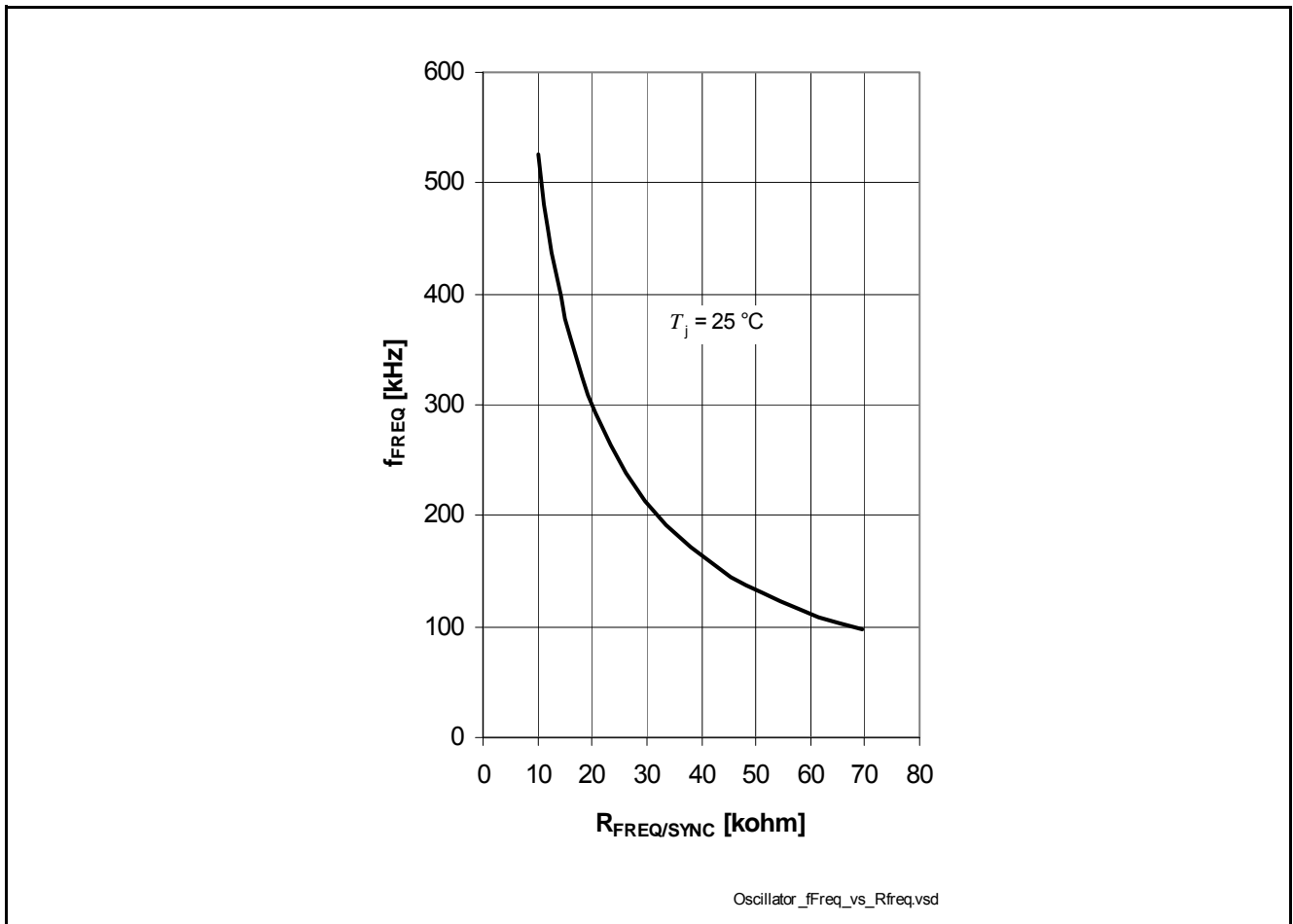


Figure 6-3 Switching Frequency  $f_{\text{SW}}$  versus Frequency Select Resistor to GND  $R_{\text{FREQ/SYNC}}$



## 7 Enable and Dimming Function

### Description

The enable function powers ON or OFF the device. A valid logic LOW signal on enable pin EN/PWMI powers OFF the device and current consumption is less than  $I_{Q\_OFF}$  (Parameter 7.2.8). A valid logic HIGH enable signal on enable pin EN/PWMI powers on the device. The enable function features an integrated pull down resistor which ensures that the IC is shut down and the power switch is OFF in case the enable pin EN is left open.

In addition to the enable function described above, the EN/PWMI pin detects a pulse width modulated (PWM) input signal that is fed through to the internal gate driver. The EN/PWMI enables and disables the gate driver for the main switch during PWM operation. PWM dimming an LED is a commonly practiced dimming method and can prevent color shift in an LED light source.

The enable and PWM input function share the same pin. Therefore a valid logic LOW signal at the EN/PWMI pin needs to differentiate between an enable power OFF or an PWM dimming LOW signal. The device differentiates between enable OFF and PWM dimming signal by requiring the enable OFF at the EN/PWMI pin to stay LOW for the Enable Turn OFF Delay Time ( $t_{EN,OFF,DEL}$  Parameter 7.2.6).

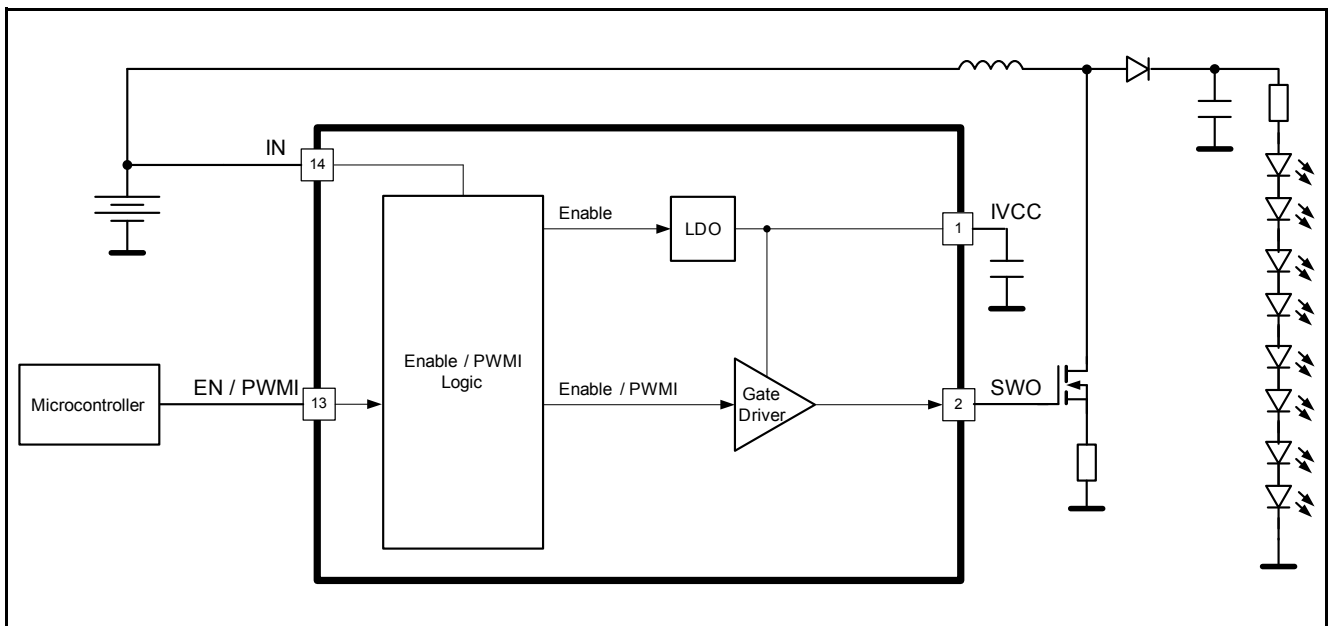


Figure 7-1 Block Diagram and Simplified Application Circuit Enable and LED Dimming

Enable and Dimming Function

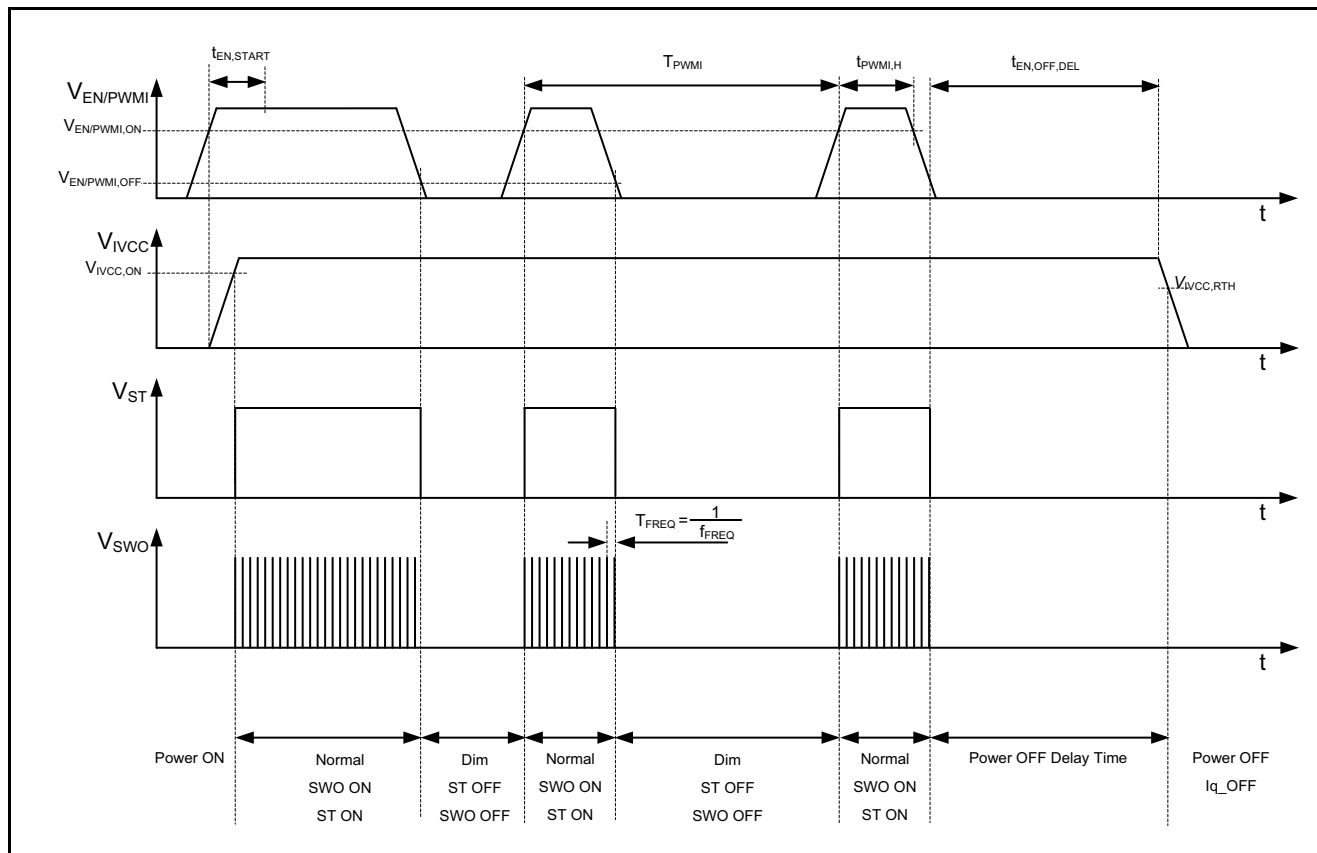


Figure 7-2 Timing Diagram Enable and LED Dimming

Note: The ST signal is LOW during soft-start.

7.1 Electrical Characteristics

V<sub>IN</sub> = 8V to 34V; T<sub>j</sub> = -40°C to +150°C, all voltages with respect to ground, positive current flowing into pin; (unless otherwise specified)

Table 7-1 Electrical Characteristics: Enable and Dimming

| Parameter                      | Symbol                   | Values |      |      | Unit | Note or Test Condition        | Number  |
|--------------------------------|--------------------------|--------|------|------|------|-------------------------------|---------|
|                                |                          | Min.   | Typ. | Max. |      |                               |         |
| <b>Enable / PWM Input</b>      |                          |        |      |      |      |                               |         |
| Enable/PWMI Turn On Threshold  | V <sub>EN/PWMI,ON</sub>  | 3.0    | -    |      | V    |                               | P_7.1.1 |
| Enable/PWMI Turn Off Threshold | V <sub>EN/PWMI,OFF</sub> | -      | -    | 0.8  | V    |                               | P_7.1.2 |
| Enable/PWMI Hysteresis         | V <sub>EN/PWMI,HYS</sub> | 50     | 200  | 400  | mV   | 1)                            | P_7.1.3 |
| Enable/PWMI High Input Current | I <sub>EN/PWMI,H</sub>   | -      | -    | 30   | µA   | V <sub>EN/PWMI</sub> = 16.0 V | P_7.1.4 |
| Enable/PWMI Low Input Current  | I <sub>EN/PWMI,L</sub>   | -      | 0.1  | 1    | µA   | V <sub>EN/PWMI</sub> = 0.5 V  | P_7.1.5 |

**Enable and Dimming Function**

**Table 7-1 Electrical Characteristics: Enable and Dimming**

| Parameter                  | Symbol           | Values |      |      | Unit | Note or Test Condition | Number  |
|----------------------------|------------------|--------|------|------|------|------------------------|---------|
|                            |                  | Min.   | Typ. | Max. |      |                        |         |
| Enable Turn Off Delay Time | $t_{EN,OFF,DEL}$ | 8      | 10   | 12   | ms   |                        | P_7.1.6 |
| Enable Startup Time        | $t_{EN,START}$   | 100    | –    | –    | μs   |                        | P_7.1.7 |

**Current Consumption**

|  |              |   |   |    |    |  |         |
|--|--------------|---|---|----|----|--|---------|
| Current Consumption, Shutdown Mode             | $I_{q\_OFF}$ | – | – | 10 | μA | $V_{EN/PWMI} = 0.8\text{ V};$<br>$T_j \leq 105^\circ\text{C};$<br>$V_{IN} = 16\text{V}$            | P_7.1.8 |
| Current Consumption, Active Mode <sup>2)</sup> | $I_{q\_ON}$  | – | – | 7  | mA | $V_{EN/PWMI} \geq 4.75\text{ V};$<br>$I_{BO} = 0\text{ mA};$<br>$V_{SWO} = 0\% \text{ Duty Cycle}$ | P_7.1.9 |

1) Not subject to production test, specified by design

2) Dependency on switching frequency and gate charge of external switches.

## 8 Linear Regulator

### Description

The internal linear voltage regulator supplies the internal gate drivers with a typical voltage of 5 V and current up to  $I_{LIM,min}$  (parameter [P\\_8.1.2](#)). An external output capacitor with ESR lower than  $R_{IVCC,ESR}$  (parameter [P\\_8.1.5](#)) is required on pin IVCC for stability and buffering transient load currents. During normal operation the external MOSFET switches will draw transient currents from the linear regulator and its output capacitor. Proper sizing of the output capacitor must be considered to supply sufficient peak current to the gate of the external MOSFET switches.

### Integrated Undervoltage Protection for the External Switching MOSFET

An integrated undervoltage reset threshold circuit monitors the linear regulator output voltage ( $V_{IVCC}$ ) and resets the device in case the output voltage falls below the IVCC undervoltage reset switch OFF threshold ( $V_{IVCC,RTH,d}$ ). The undervoltage reset threshold for the IVCC pin helps to protect the external switches from excessive power dissipation by ensuring the gate drive voltage is sufficient to enhance the gate of an external logic level n-channel MOSFET.

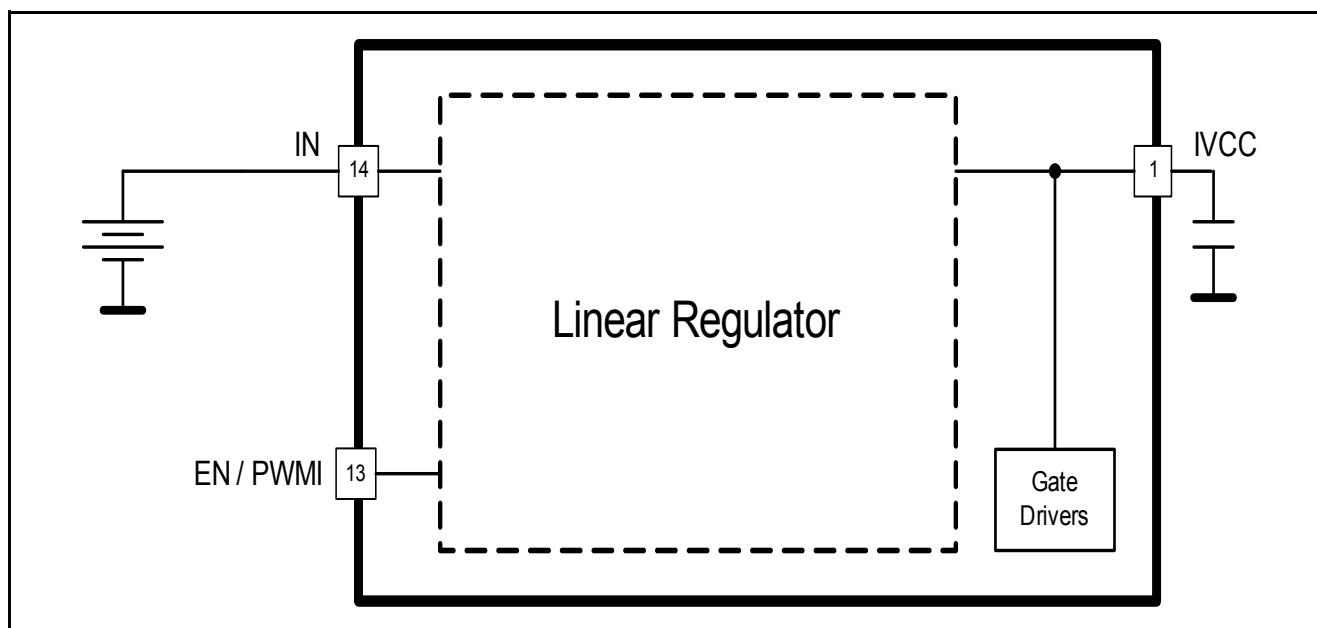


Figure 8-1 Voltage Regulator Block Diagram and Simplified Application Circuit

**Linear Regulator**

**8.1 Electrical Characteristics**

$V_{IN} = 8V$  to  $34V$ ;  $T_j = -40^{\circ}C$  to  $+150^{\circ}C$ , all voltages with respect to ground, positive current flowing into pin; (unless otherwise specified)

**Table 8-1 Electrical Characteristics:Line Regulator**

| Parameter                                    | Symbol           | Values |      |      | Unit     | Note or Test Condition                                       | Number  |
|--|------------------|--------|------|------|----------|--|---------|
|  |                  | Min.   | Typ. | Max. |          |  |         |
| Output Voltage                               | $V_{IVCC}$       | 4.85   | 5    | 5.15 | V        | $6V \leq V_{IN} \leq 45V$<br>$0.1mA \leq I_{IVCC} \leq 40mA$ | P_8.1.1 |
| Output Current Limitation                    | $I_{LIM}$        | 51     |      | 90   | mA       | $V_{IN} = 13.5V$<br>$V_{IVCC} = 4.5V$                        | P_8.1.2 |
| Drop out Voltage                             | $V_{DR}$         |        |      | 0.5  | V        | $V_{IN} = 4.5V$<br>$I_{IVCC} = 25mA$                         | P_8.1.3 |
| IVCC Buffer Capacitor                        | $C_{IVCC}$       | 0.47   | 1    | 100  | $\mu F$  | <sup>1)2)</sup>  | P_8.1.4 |
| IVCC Buffer Capacitor ESR                    | $R_{IVCC,ESR}$   | –      | –    | 0.5  | $\Omega$ | <sup>1)</sup>  | P_8.1.5 |
| Undervoltage Reset Headroom                  | $V_{IVCC,HDRM}$  | 100    | –    | –    | mV       | $V_{IVCC}$ decreasing<br>$V_{IVCC} - V_{IVCC,RTH,d}$         | P_8.1.6 |
| IVCC Undervoltage Reset switch OFF Threshold | $V_{IVCC,RTH,d}$ | 3.6    | –    | 4.0  | V        | <sup>3)</sup> $V_{IVCC}$ decreasing                          | P_8.1.7 |
| IVCC Undervoltage Reset switch ON Threshold  | $V_{IVCC,RTH,i}$ | –      | –    | 4.5  | V        | $V_{IVCC}$ increasing  | P_8.1.8 |

- 1) Minimum value given is needed for regulator stability; application might need higher capacitance than the minimum.
- 2) Minimum value given is needed for regulator stability; application might need higher capacitance than the minimum.
- 3) Selection of external switching MOSFET is crucial and the  $V_{IVCC,RTH,d}$  min. as worst case  $V_{GS}$  must be considered.

## 9 Protection and Diagnostic Functions

### 9.1 Description

The TLD5097EL has integrated circuits to diagnose and protect against output overvoltage, open load, open feedback and overtemperature faults. In case of a fault condition, the SWO signal stops operation. The ST signal will change to an active logic LOW signal to communicate that a fault has occurred (detailed overview in [Figure 9-1](#) and [Figure 9-2](#) below). [Figure 9-3](#) illustrates the various open load and open feedback conditions. In case of an overtemperature condition the integrated thermal shutdown function turns off the gate driver and internal linear voltage regulator. The typical junction shutdown temperature is 175°C ( $T_{j,SD}$  Parameter 9.2.3). After cooling down the IC will automatically restart. Thermal shutdown is an integrated protection function designed to prevent IC destruction and is not intended for continuous use in normal operation ([Figure 9-5](#)). To calculate the proper overvoltage protection resistor values an example is given in [Figure 9-6](#).

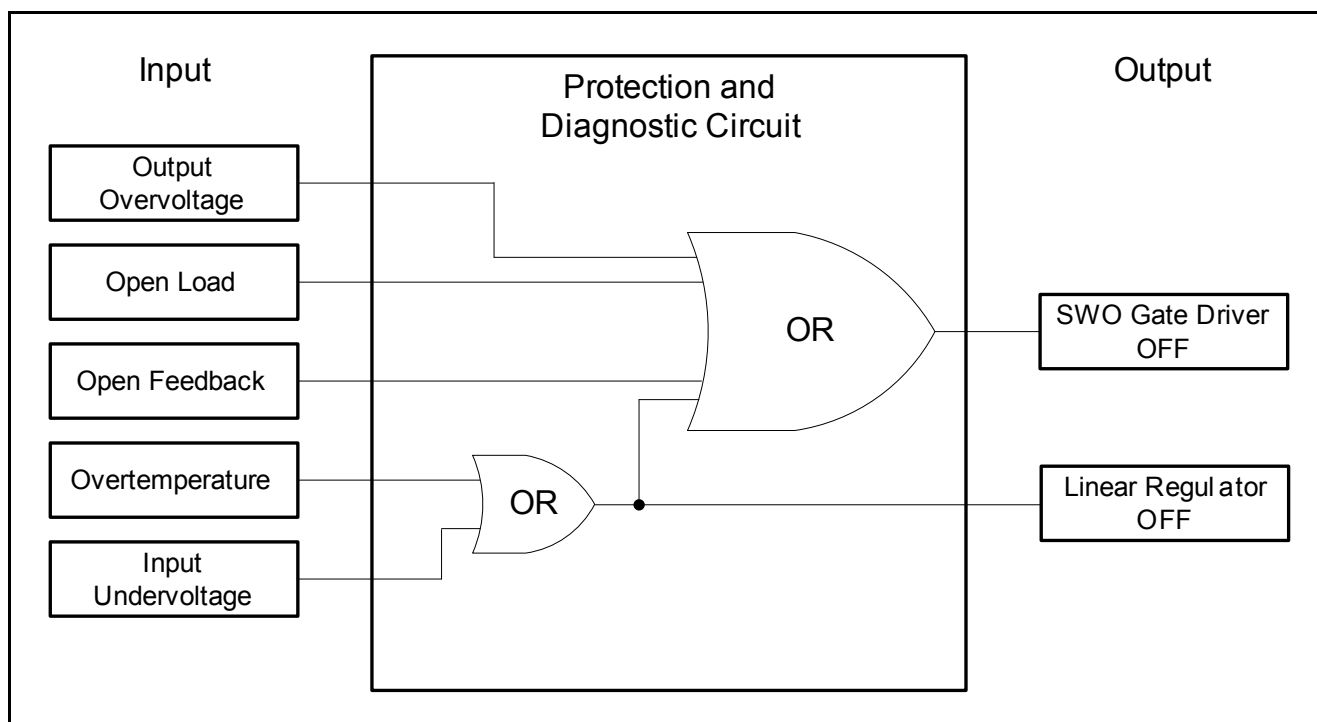


Figure 9-1 Protection and Diagnostic Function Block Diagram

Protection and Diagnostic Functions

| Input                |        | Output   |     |          |
|----------------------|--------|----------|-----|----------|
| Condition            | Level* | ST       | SWO | IVCC     |
| Overvoltage @ Output | False  | H or Sw* | Sw* | Active   |
|                      | True   | L        | L   | Active   |
| Open Load            | False  | H or Sw* | Sw* | Active   |
|                      | True   | L        | L   | Active   |
| Open Feedback        | False  | H or Sw* | Sw* | Active   |
|                      | True   | L        | L   | Active   |
| Overtemperature      | False  | H or Sw* | Sw* | Active   |
|                      | True   | L        | L   | Shutdown |
| Undervoltage @ Input | False  | H or Sw* | Sw* | Active   |
|                      | True   | L        | L   | Shutdown |

\*Note:  
Sw = Switching  
False = Condition does not exist  
True = Condition does exist

Figure 9-2 Diagnosis Truth Table

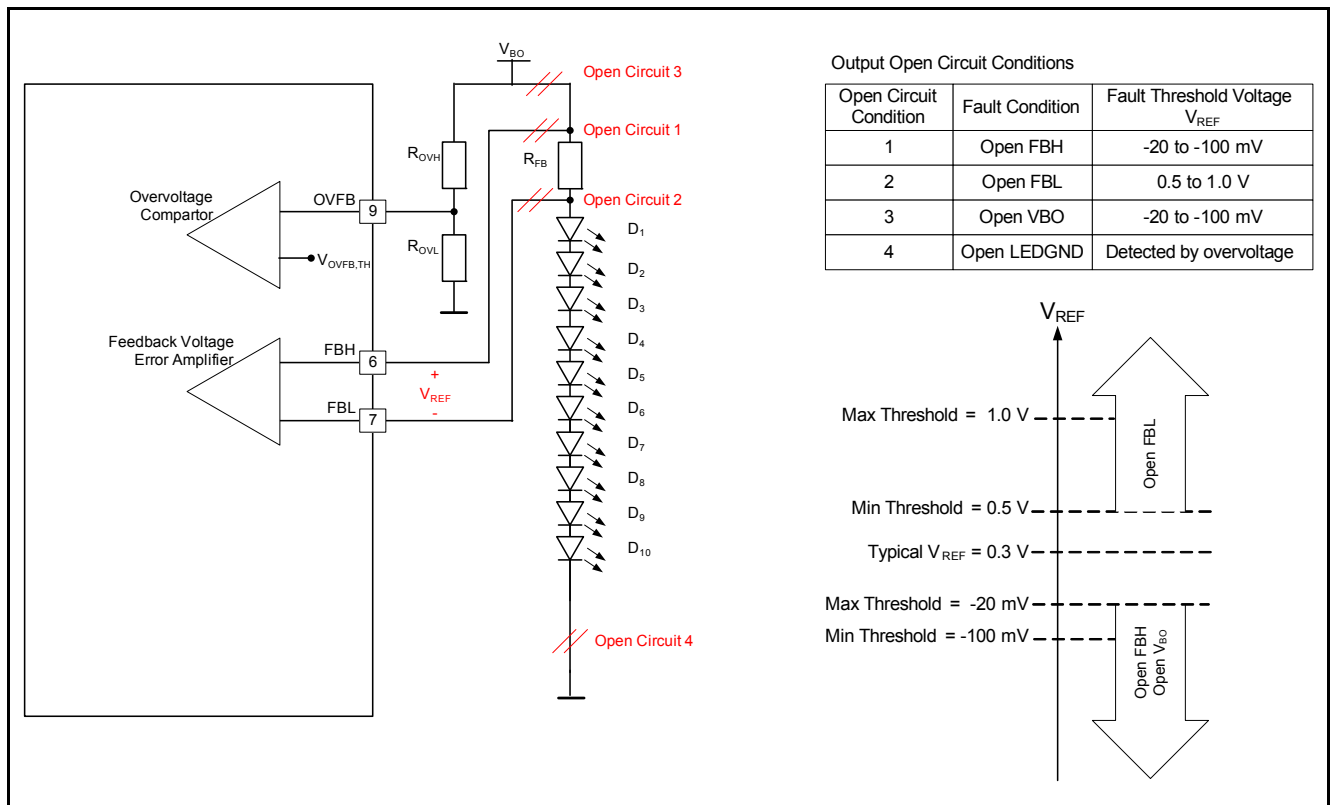


Figure 9-3 Open Load and Open Feedback Conditions

Protection and Diagnostic Functions

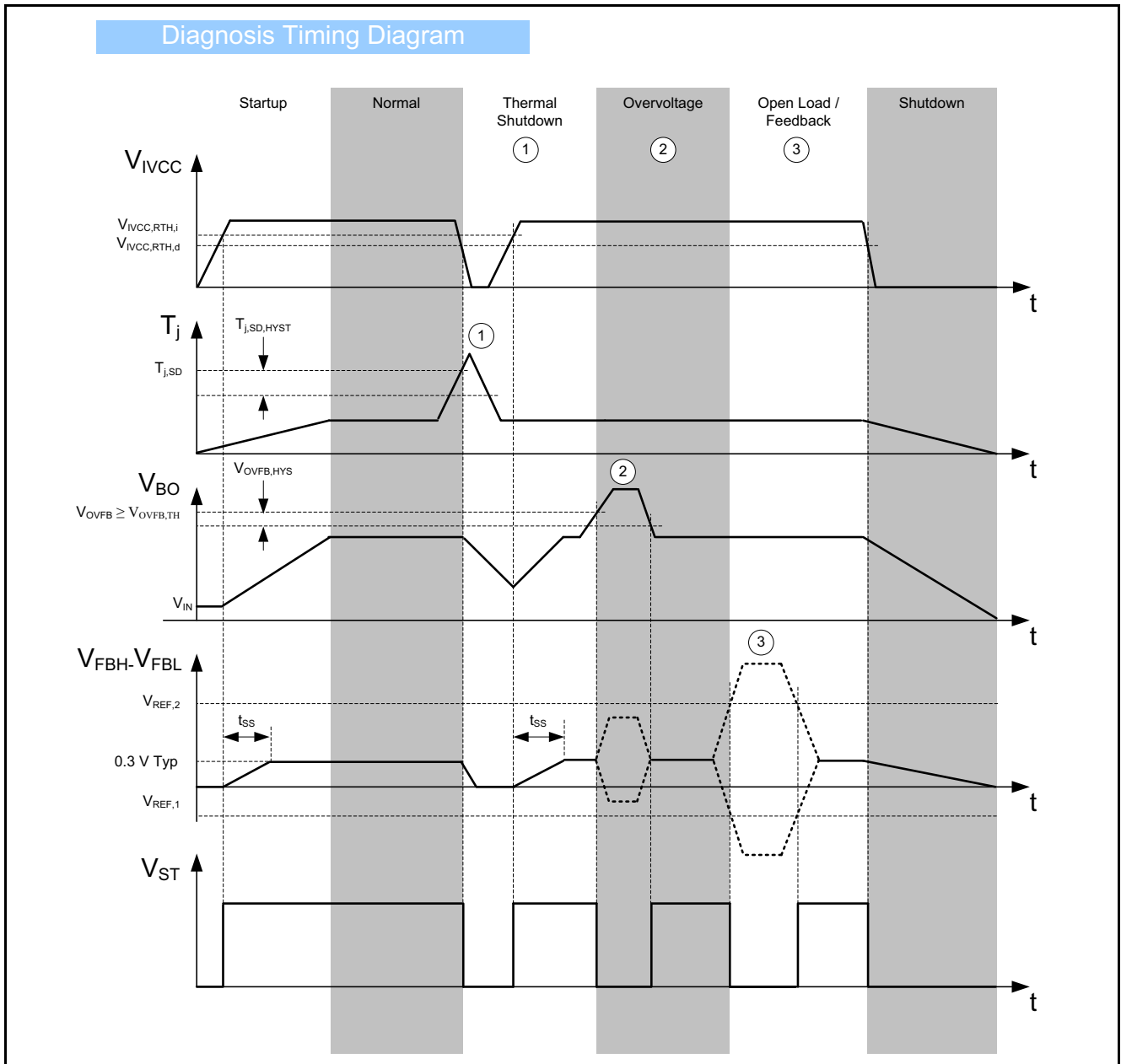


Figure 9-4 Open load, Overvoltage and Overtemperature Timing Diagram



Protection and Diagnostic Functions

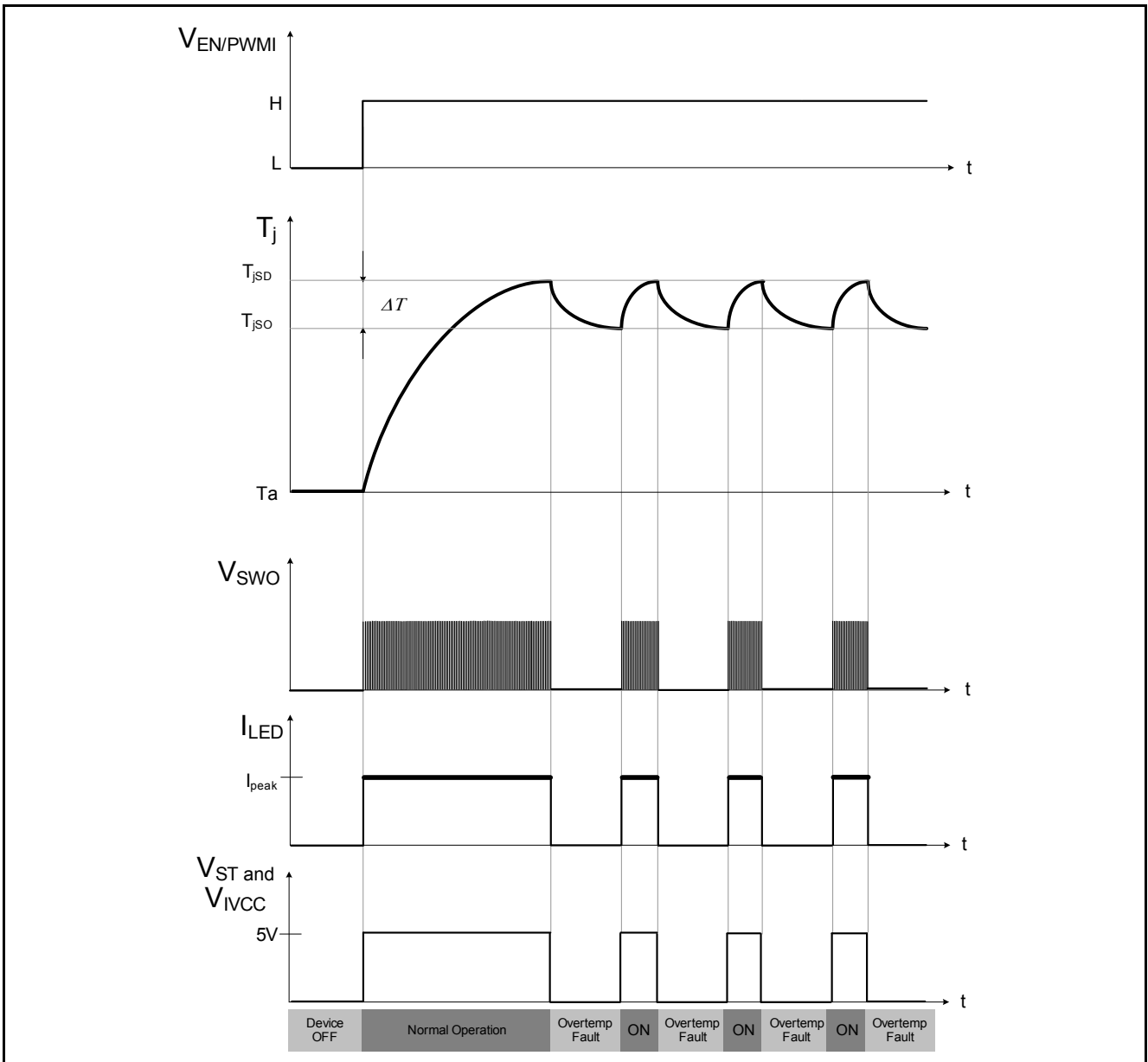


Figure 9-5 Device Overtemperature Protection Behavior

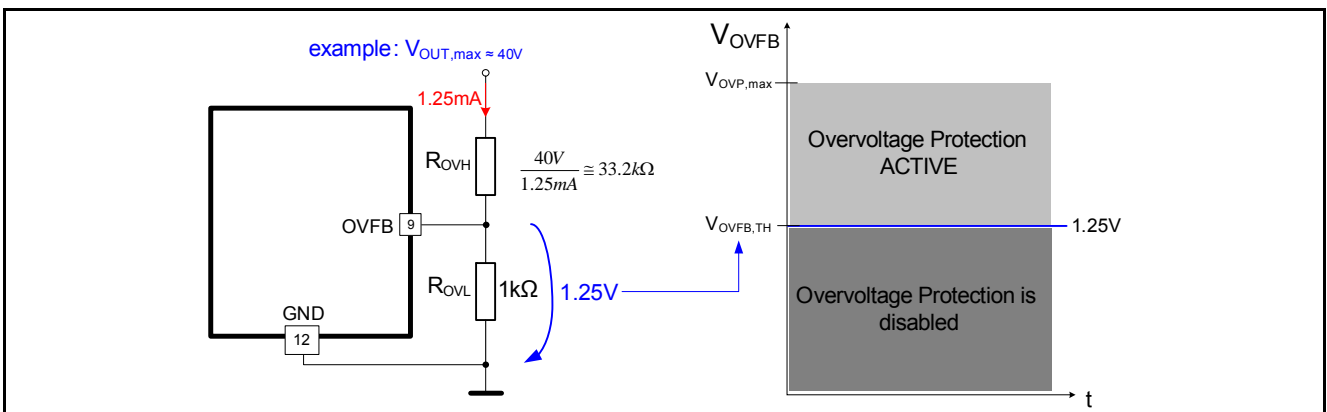


Figure 9-6 Overvoltage Protection Description

**Protection and Diagnostic Functions**

**9.2 Electrical Characteristics**

V<sub>IN</sub> = 8V to 34V; T<sub>j</sub> = -40°C to +150°C, all voltages with respect to ground, positive current flowing into pin; (unless otherwise specified)

**Table 9-1 Electrical Characteristics: Protection and Diagnosis**

| Parameter   | Symbol                 | Values                  |      |                   | Unit | Note or Test Condition  | Number   |
|---|------------------------|-------------------------|------|-------------------|------|---|----------|
|   |                        | Min.                    | Typ. | Max.              |      |   |          |
| <b>Status Output</b>                              |                        |                         |      |                   |      |   |          |
| Status Output Voltage Low                         | V <sub>ST,LOW</sub>    | -                       | -    | 0.4               | V    | <sup>1)</sup> I <sub>ST</sub> = 1mA   | P_9.2.1  |
| Status Output Voltage High                        | V <sub>ST,HIGH</sub>   | V <sub>IVCC</sub> - 0.4 | -    | V <sub>IVCC</sub> | V    | <sup>1)</sup> I <sub>ST</sub> = -1mA  | P_9.2.2  |
| <b>Temperature Protection</b>                     |                        |                         |      |                   |      |   |          |
| Overtemperature Shutdown                          | T <sub>j,SD</sub>      | 160                     | 175  | 190               | °C   | <sup>1)</sup> refer to <b>Figure 9-5</b>  | P_9.2.3  |
| Overtemperature Shutdown Hystereses               | T <sub>j,SD,HYST</sub> | -                       | 15   | -                 | °C   | <sup>1)</sup>   | P_9.2.4  |
| <b>Overvoltage Protection</b>                     |                        |                         |      |                   |      |   |          |
| Output Over Voltage Feedback Threshold Increasing | V <sub>OVFB,TH</sub>   | 1.21                    | 1.25 | 1.29              | V    | refer to <b>Figure 9-6</b>  | P_9.2.5  |
| Output Over Voltage Feedback Hysteresis           | V <sub>OVFB,HYS</sub>  | 50                      | -    | 150               | mV   | <sup>1)</sup> Output Voltage decreasing   | P_9.2.6  |
| Over Voltage Reaction Time                        | t <sub>OVPRR</sub>     | 2                       | -    | 10                | μs   | <sup>1)</sup> Output Voltage decreasing   | P_9.2.7  |
| Over Voltage Feedback Input Current               | I <sub>OVFB</sub>      | -1                      | 0.1  | 1                 | μA   | V <sub>OVFB</sub> = 1.25 V  | P_9.2.8  |
| <b>Open Load and Open Feedback Diagnostics</b>    |                        |                         |      |                   |      |   |          |
| Open Load/Feedback Threshold                      | V <sub>REF,1,3</sub>   | -100                    | -    | -20               | mV   | refer to <b>Figure 9-3</b><br>V <sub>REF</sub> = V <sub>FBH</sub> - V <sub>FBL</sub><br>Open Circuit 1 or 3 | P_9.2.9  |
| Open Feedback Threshold                           | V <sub>REF,2</sub>     | 0.5                     | -    | 1                 | V    | V <sub>REF</sub> = V <sub>FBH</sub> - V <sub>FBL</sub><br>Open Circuit 2                                    | P_9.2.10 |

<sup>1)</sup> Specified by design; not subject to production test.

*Note: Integrated protection functions are designed to prevent IC destruction under fault conditions described in the data sheet. Fault conditions are considered as “outside” normal operating range. Protection functions are not designed for continuous repetitive operation.*

## 10 Analog Dimming

This pin is influencing the Feedback Voltage Error Amplifier by generating an internal current accordingly to an external reference voltage (VSET). If the analog dimming feature is not needed this pin must be connected to IVCC or external > 1.6V supply. Different application scenarios are described in **Figure 10-3**. This pin can also go outside of the ECU for instance if a thermistor is connected on a separated LED Module and the Analog Dimming Input is used to thermally protect the LEDs. For reverse battery protection of this pin an external series resistor should be placed to limit the current.

### 10.1 Purpose of Analog Dimming

1. It is difficult for LED manufacturers to deliver LEDs which have the same Brightness, Colorpoint and Forward Voltage Class. Due to this relatively wide spread of the crucial LED parameters automotive customers order LEDs from one or maximum two different colorpoint classes. The LED manufacturer must preselect the LEDs to deliver the requested colorpoint class. Those preselected LEDs are matched in terms of the colorpoint but a variation of the brightness remains. To correct the brightness deviation an analog dimming feature is needed. The mean LED current can be adjusted by applying an external voltage VSET at the SET pin.
2. If the DC/DC application is separated from the LED loads the ECU manufacturers aim is to develop one hardware which should be able to handle different load current conditions (e.g. 80mA to 400mA) to cover different applications. To achieve this average LED current adjustment the analog dimming is a crucial feature.

### 10.2 Description

#### Application Example

Desired LED current = 400mA. For the calculation of the correct Feedback Resistor  $R_{FB}$  the following equation can be used: This formula is valid if the analog dimming feature is disabled and  $V_{SET} > 1.6V$ .

(10.1)

$$I_{LED} = \frac{V_{REF}}{R_{FB}} \rightarrow R_{FB} = \frac{V_{REF}}{I_{LED}} \rightarrow R_{FB} = \frac{0.3V}{400mA} = 750m\Omega$$

A decrease of the average LED current can be achieved by controlling the voltage at the SET pin ( $V_{SET}$ ) between 0V and 1.6V. The mathematical relation is given in the formula below:

(10.2)

$$I_{LED} = \frac{V_{SET} - 0.1V}{5 \cdot R_{FB}}$$

If  $V_{SET}$  is 100mV the LED current is only determined by the internal offset voltages of the comparators. For this example  $I_{LED} = 0A$  if  $V_{SET} < 100mV$ . Refer to the concept drawing in **Figure 10-2**.

Analog Dimming

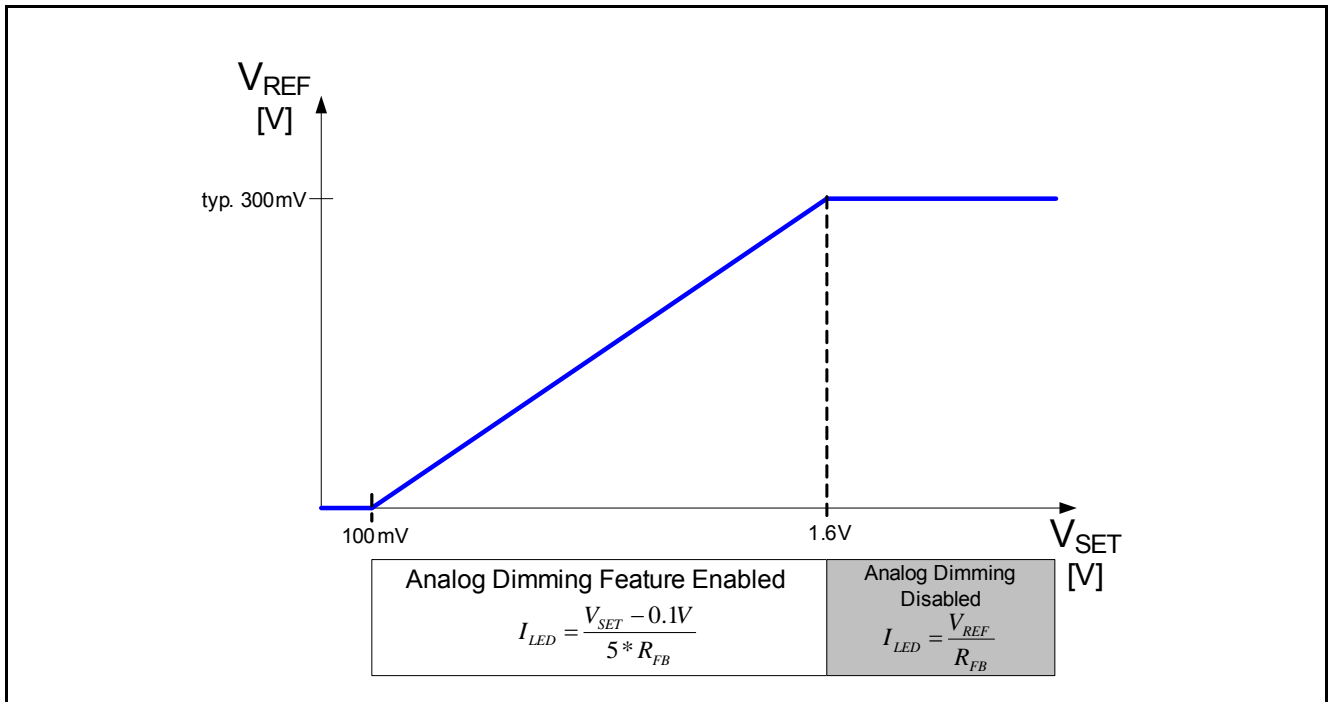


Figure 10-1 Basic relationship between  $V_{REF}$  and  $V_{SET}$  Voltage

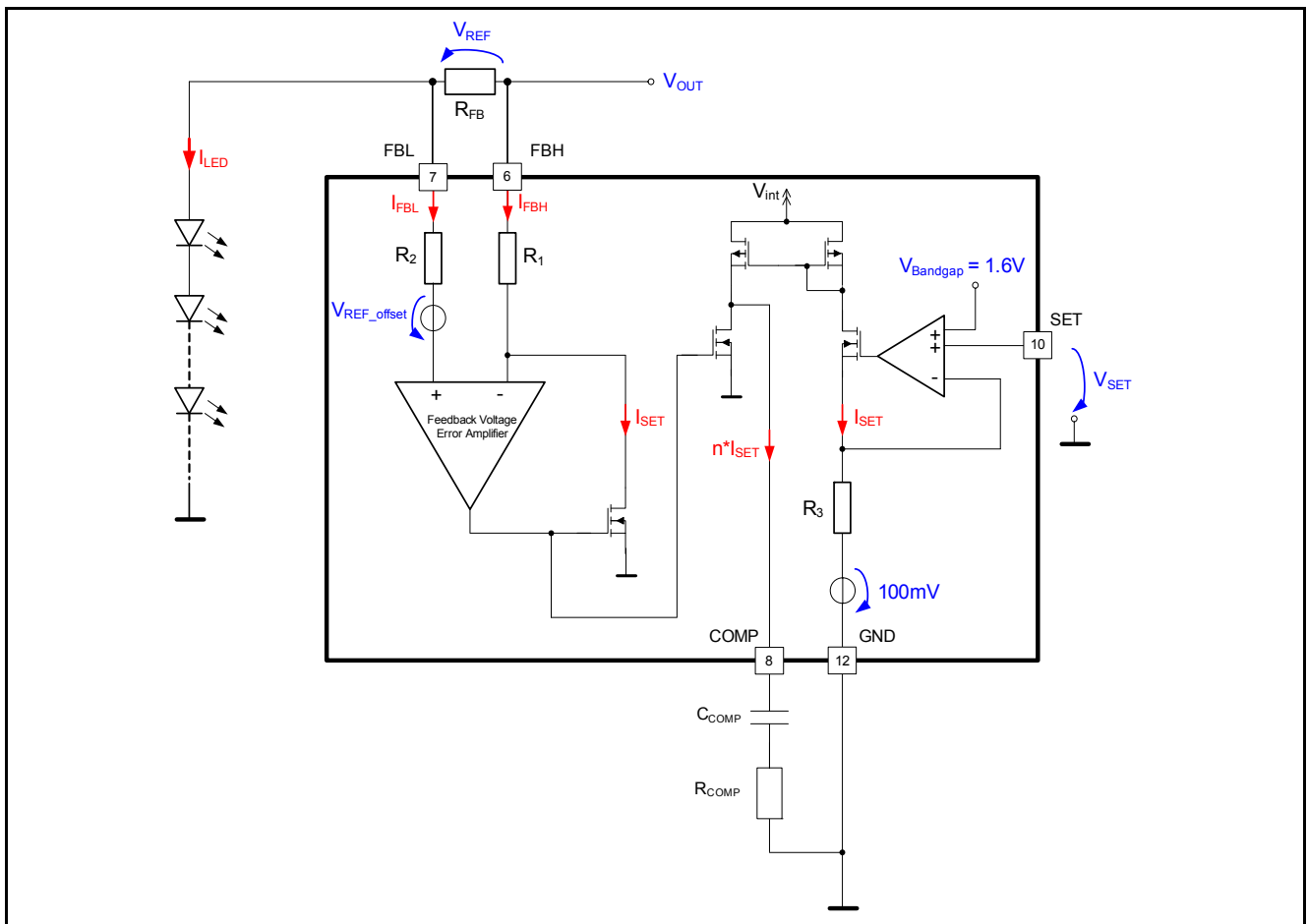


Figure 10-2 Concept Drawing Analog Dimming

---

## **Analog Dimming**

### **Multi-purpose usage of the Analog dimming feature**

1. A  $\mu\text{C}$  integrated digital analog converter (DAC) output or a stand alone DAC can be used to supply the SET pin of the TLD5097EL. The integrated voltage Regulator (VIVCC) can be used to supply the  $\mu\text{C}$  or external components if the current consumption does not exceed 20mA.
2. The analog dimming feature is directly connected to the input voltage of the system. In this configuration the LED current is reduced if the input voltage  $V_{\text{IN}}$  is decreasing. The DC/DC boost converter is changing (increasing) the switching duty cycle if  $V_{\text{IN}}$  drops to a lower potential. This is causing an increase of the input current consumption. If applications require a decrease of the LED current in respect to  $V_{\text{IN}}$  variations this setup can be chosen.
3. The usage of an external resistor divider connected between IVCC (integrated 5V regulator output and gate buffer pin) SET and GND can be chosen for systems without  $\mu\text{C}$  on board. The concept allows to control the LED current via placing cheap low power resistors. Furthermore a temperature sensitive resistor (Thermistor) to protect the LED loads from thermal destruction can be connected additionally.
4. If the analog dimming feature is not needed the SET pin must be connected directly to  $>1.6\text{V}$  potential (e.g. IVCC potential)
5. Instead of an DAC the  $\mu\text{C}$  can provide a PWM signal and an external R-C filter is producing a constant voltage for the analog dimming. The voltage level is depending on the PWM frequency (fPWM) and duty cycle (DC) which can be controlled by the  $\mu\text{C}$  software after reading the coding resistor placed at the LED module.

Analog Dimming

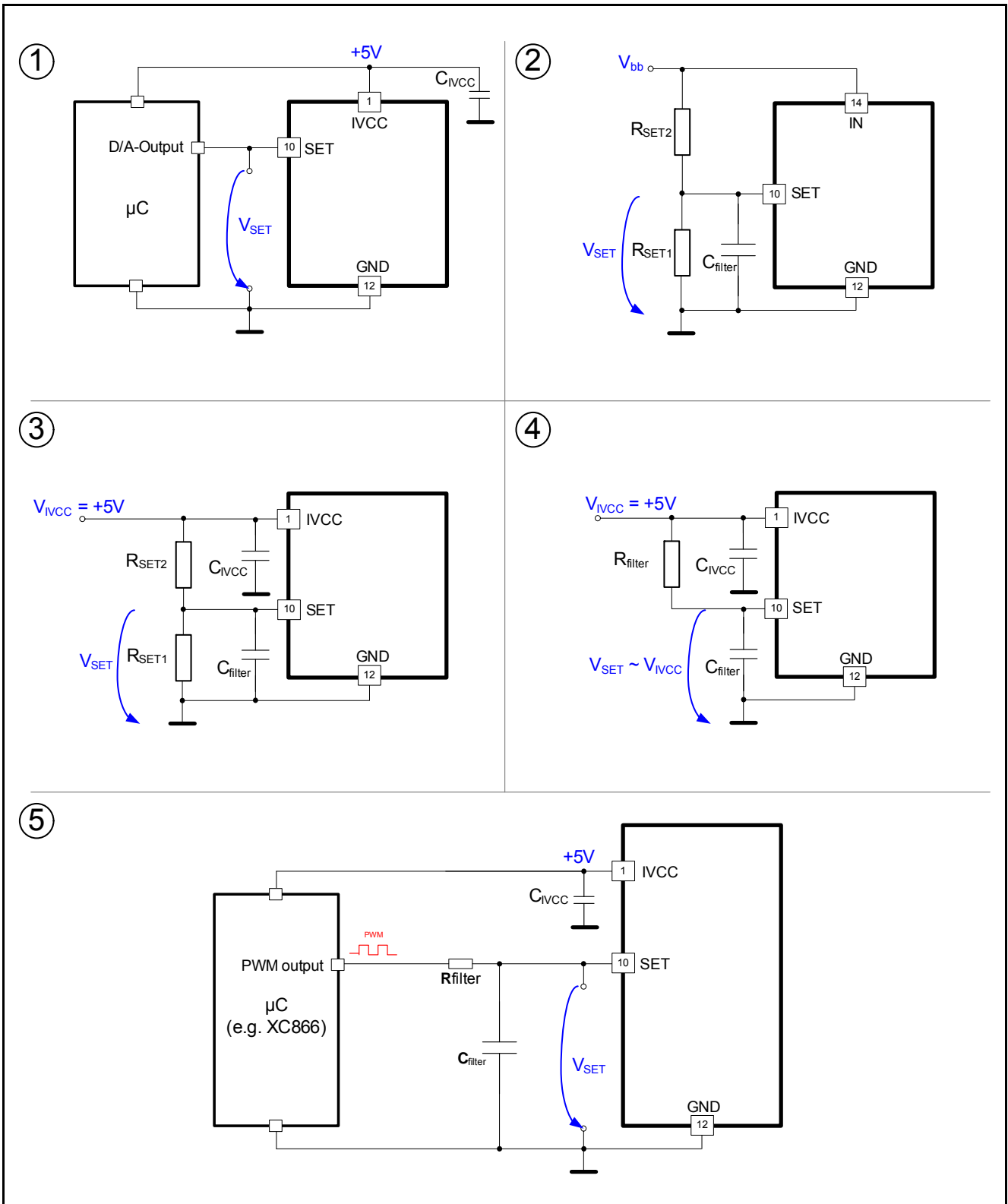


Figure 10-3 Analog Dimming in various applications

**Analog Dimming**

**10.3 Electrical Characteristics**

VIN = 8V to 34V; Tj = -40°C to +150°C, all voltages with respect to ground, positive current flowing into pin; (unless otherwise specified)

**Table 10-1 Electrical Characteristics: Protection and Diagnosis**

| Parameter             | Symbol           | Values |      |      | Unit | Note or Test Condition                             | Number   |
|-----------------------|------------------|--------|------|------|------|--|----------|
|                       |                  | Min.   | Typ. | Max. |      |  |          |
| SET programming range | V <sub>SET</sub> | 0      | –    | 1.6  | V    | <sup>1)</sup> refer to <a href="#">Figure 10-1</a> | P_10.3.1 |

1) Specified by design; not subject to production test.

Application Information

## 11 Application Information

Note: The following information is given as a hint for the implementation of the device only and shall not be regarded as a description or warranty of a certain functionality, condition or quality of the device.

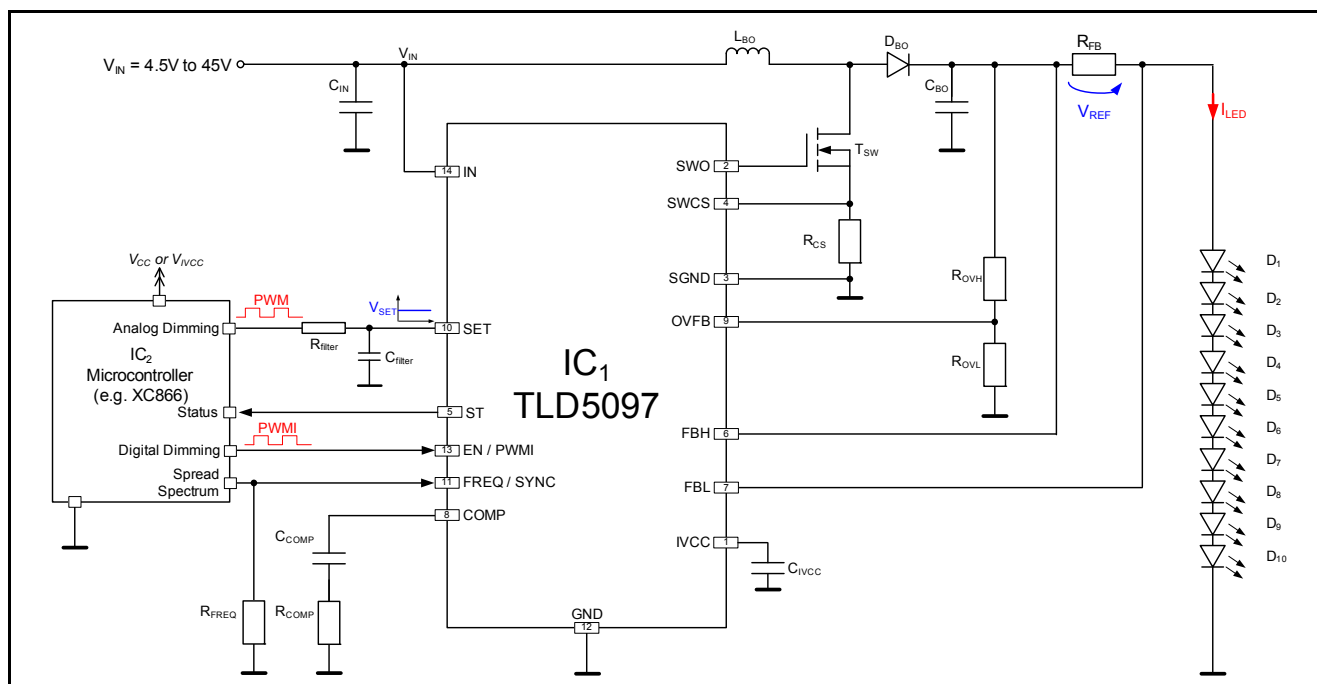


Figure 11-1 Boost to Ground Application Circuit - B2G (Boost configuration)

| Reference Designator | Value                             | Manufacturer | Part Number                  | Type       | Quantity |
|----------------------|-----------------------------------|--------------|------------------------------|------------|----------|
| D <sub>1-10</sub>    | White                             | Osram        | LUW H9GP                     | LED        | 10       |
| D <sub>BO</sub>      | Schottky, 3 A, 100 V <sub>R</sub> | Vishay       | SS3H10                       | Diode      | 1        |
| C <sub>IN</sub>      | 100 uF, 50V                       | Panasonic    | EEEFK1H101GP                 | Capacitor  | 1        |
| C <sub>BO</sub>      | 10 uF, 50V                        | Panasonic    | Electrolytic or Ceramic Bank | Capacitor  | 1        |
| C <sub>COMP</sub>    | 100 nF                            | EPCOS        | X7R                          | Capacitor  | 1        |
| C <sub>IVCC</sub>    | 1uF , 6.3V                        | EPCOS        | MLCC CCNPZC105KBW X7R        | Capacitor  | 1        |
| IC <sub>1</sub>      | --                                | Infineon     | TLD5097                      | IC         | 1        |
| IC <sub>2</sub>      | --                                | Infineon     | XC866                        | IC         | 1        |
| L <sub>BO</sub>      | 100 uH                            | Coilcraft    | MSS1278T-104ML               | Inductor   | 1        |
| R <sub>COMP</sub>    | 10 kΩ, 1%                         | Panasonic    | ERJ3EKF 1002V                | Resistor   | 1        |
| R <sub>FB</sub>      | 820 mΩ, 1%                        | Panasonic    | ERJ14BQFR82U                 | Resistor   | 1        |
| R <sub>FREQ</sub>    | 20 kΩ, 1%                         | Panasonic    | ERJ3EKF 2002V                | Resistor   | 1        |
| R <sub>OVH</sub>     | 33.2 kΩ, 1%                       | Panasonic    | ERJ3EKF 3322V                | Resistor   | 1        |
| R <sub>OVL</sub>     | 1 kΩ, 1%                          | Panasonic    | ERJ3EKF 1001V                | Resistor   | 1        |
| R <sub>CS</sub>      | 50 mΩ, 1%                         | Panasonic    | ERJB 1CFR05U                 | Resistor   | 1        |
| T <sub>SW</sub>      | 100V N-ch, 35A                    | Infineon     | IPG20N10S4L-22               | Transistor | 1        |
|                      | alternativ: 60V N-ch, 30A         | Infineon     | IPD30N06S4L-23               | Transistor | 1        |

Figure 11-2 Bill of Materials for B2G Application Circuit



Application Information

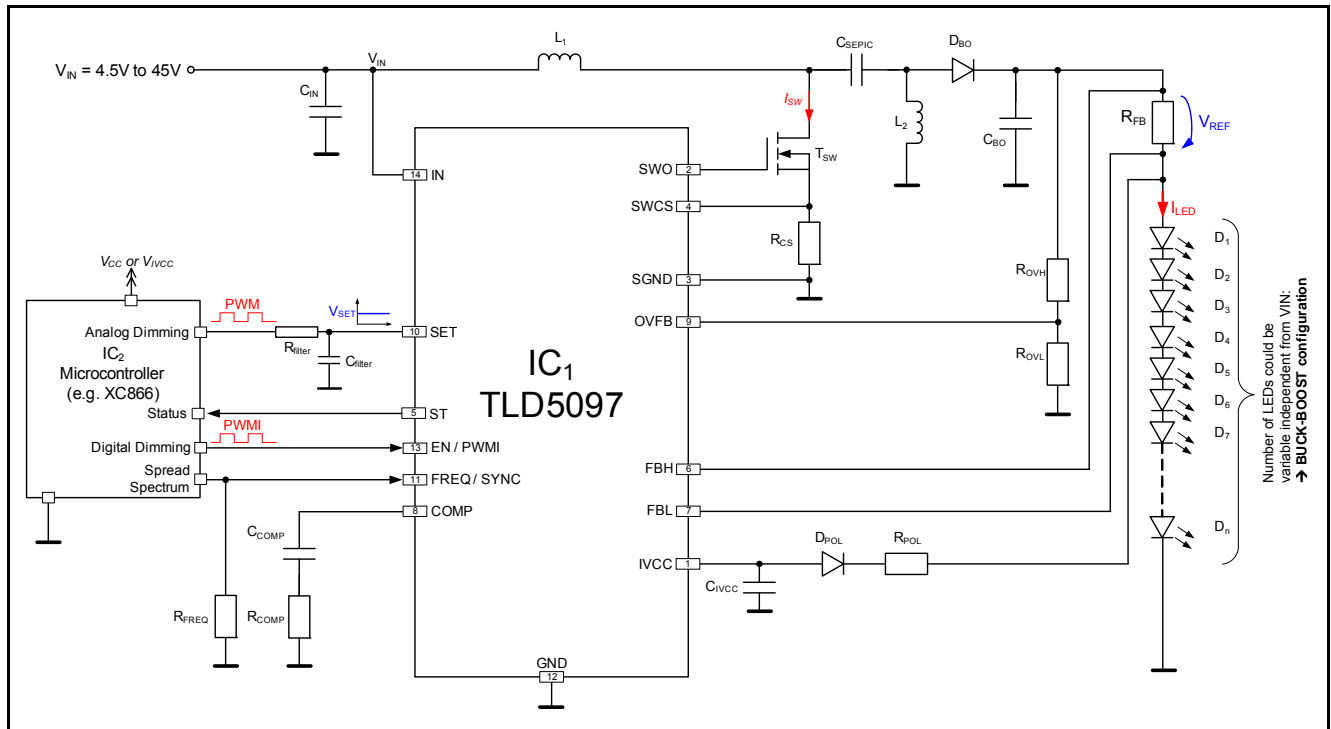


Figure 11-3 SEPIC Application Circuit (Buck-Boost configuration)

| Reference Designator               | Value                             | Manufacturer | Part Number    | Type       | Quantity |
|------------------------------------|-----------------------------------|--------------|----------------|------------|----------|
| D <sub>1 - n</sub>                 | White                             | Osram        | LUW H9GP       | LED        | variable |
| D <sub>BO</sub>                    | Schottky, 3 A, 100 V <sub>R</sub> | Vishay       | SS3H10         | Diode      | 1        |
| D <sub>POL</sub>                   | 80V Diode                         | Infineon     | BAS 1603W      | Diode      | 1        |
| C <sub>SEPIC</sub>                 | 3.3 uF, 20V                       | EPCOS        | X7R, Low ESR   | Capacitor  | 1        |
| C <sub>IN</sub>                    | 100 uF, 50V                       | Panasonic    | EEEFK1H101GP   | Capacitor  | 1        |
| C <sub>BO</sub>                    | 10 uF, 50V                        | Panasonic    | EEEFK1H100P    | Capacitor  | 1        |
| C <sub>COMP</sub>                  | 100 nF                            | EPCOS        | X7R            | Capacitor  | 1        |
| C <sub>IVCC</sub>                  | 1uF, 6.3V                         | EPCOS        | X7R            | Capacitor  | 1        |
| IC <sub>1</sub>                    | --                                | Infineon     | TLD5097        | IC         | 1        |
| IC <sub>2</sub>                    | --                                | Infineon     | XC866          | IC         | 1        |
| L <sub>1, L2</sub>                 | 47 uH                             | Coilcraft    | MSS1278T-473ML | Inductor   | 2        |
|                                    | alternativ: 22uH coupled inductor | Coilcraft    | MSD1278-223MLD | Inductor   | 1        |
| R <sub>COMP, R<sub>POL</sub></sub> | 10 kΩ, 1%                         | Panasonic    | ERJ3EKF 1002V  | Resistor   | 2        |
| R <sub>FB</sub>                    | 820 mΩ, 1%                        | Panasonic    | ERJ14BQFR82U   | Resistor   | 1        |
| R <sub>FREQ</sub>                  | 20 kΩ, 1%                         | Panasonic    | ERJ3EKF 2002V  | Resistor   | 1        |
| R <sub>OVH</sub>                   | 33.2 kΩ, 1%                       | Panasonic    | ERJ3EKF 3322V  | Resistor   | 1        |
| R <sub>OVL</sub>                   | 1 kΩ, 1%                          | Panasonic    | ERJ3EKF 1001V  | Resistor   | 1        |
| R <sub>CS</sub>                    | 50 mΩ, 1%                         | Panasonic    | ERJB1CFR05U    | Resistor   | 1        |
| T <sub>SW</sub>                    | 100V N-ch, 35A                    | Infineon     | IPD35N10S3L-26 | Transistor | 1        |
|                                    | alternativ: 60V N-ch, 30A         | Infineon     | IPD30N06S4L-23 | Transistor | 1        |

Figure 11-4 Bill of Materials for SEPIC Application Circuit

Application Information

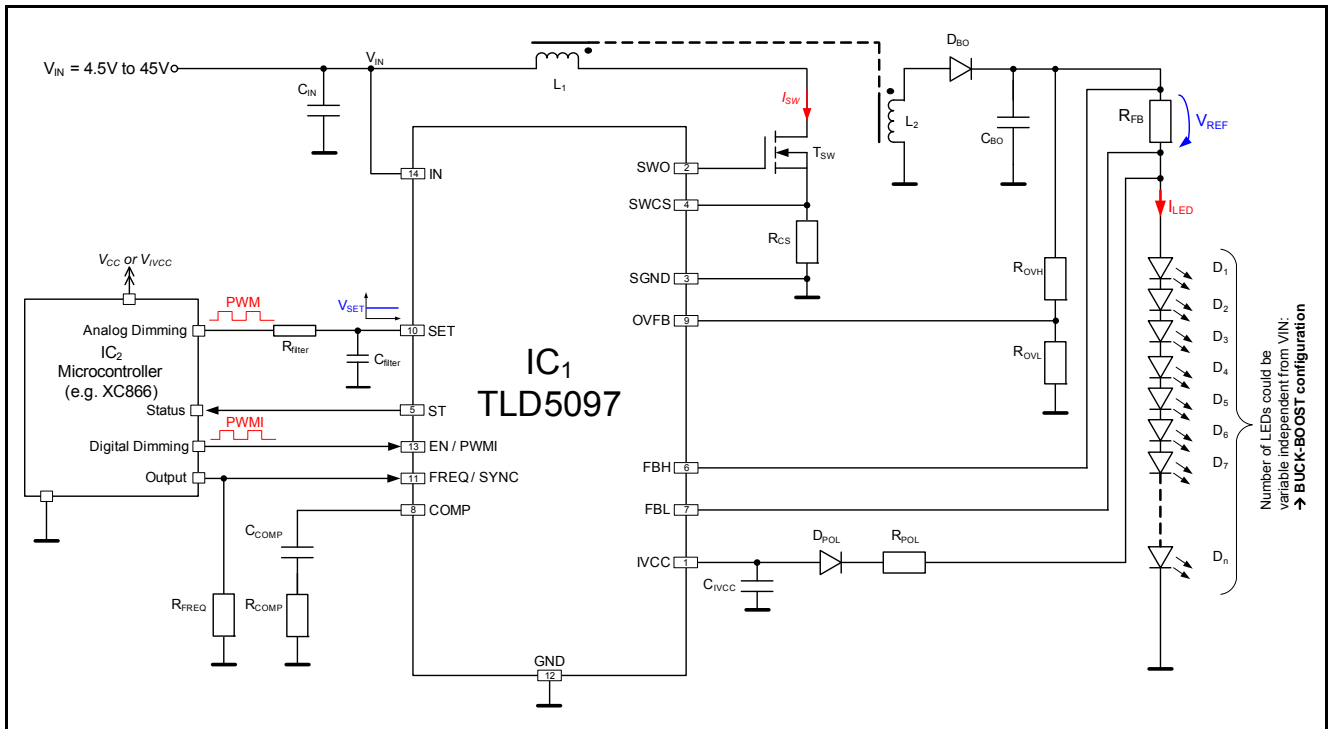


Figure 11-5 Flyback Application Circuit (Buck-Boost configuration)

| Reference Designator                 | Value                             | Manufacturer   | Part Number          | Type       | Quantity |
|--------------------------------------|-----------------------------------|----------------|----------------------|------------|----------|
| D <sub>1</sub> - n                   | White                             | Osram          | LUW H9GP             | LED        | variable |
| D <sub>BO</sub>                      | Schottky, 3 A, 100 V <sub>R</sub> | Vishay         | SS3H10               | Diode      | 1        |
| C <sub>BO</sub>                      | 3.3 uF, 50V (100V)                | EPCOS          | X7R, Low ESR         | Capacitor  | 1        |
| C <sub>IN</sub>                      | 100 uF, 50V                       | Panasonic      | EEEFK1H101GP         | Capacitor  | 1        |
| C <sub>COMP</sub>                    | 47 nF                             | EPCOS          | X7R                  | Capacitor  | 1        |
| C <sub>IVCC</sub>                    | 1 uF, 6.3V                        | EPCOS          | X7R                  | Capacitor  | 1        |
| IC <sub>1</sub>                      | --                                | Infineon       | TLD5097              | IC         | 1        |
| IC <sub>2</sub>                      | --                                | Infineon       | XC866                | IC         | 1        |
| L <sub>1</sub> , L <sub>2</sub>      | 1 µH / 9 uH                       | EPCOS          | Transformer EHP 16   | Inductor   | 1        |
| R <sub>COMP</sub> , R <sub>POL</sub> | 10 kΩ, 1%                         | Panasonic      | ERJ3EKF 1002V        | Resistor   | 2        |
| D <sub>POL</sub>                     | 80 V Diode                        | Infineon       | BAS 1603W            | Diode      | 1        |
| R <sub>FB</sub>                      | 820 mΩ, 1%                        | Isabellenhütte | SMS – Power Resistor | Resistor   | 1        |
| R <sub>FREQ</sub>                    | 10 kΩ, 1%                         | Panasonic      | ERJ3EKF 1002V        | Resistor   | 1        |
| R <sub>OVH</sub>                     | 56.2 kΩ, 1%                       | Panasonic      | ERJ3EKF 5622V        | Resistor   | 1        |
| R <sub>OVL</sub>                     | 1.24 kΩ, 1%                       | Panasonic      | ERJ3EKF 1241V        | Resistor   | 1        |
| R <sub>CS</sub>                      | 5 mΩ, 1%                          | Isabellenhütte | SMS - Power Resistor | Resistor   | 1        |
| T <sub>SW</sub>                      | 100V N-ch, 35A                    | Infineon       | IPG20N10S4L-22       | Transistor | 1        |
|                                      | alternativ: 60V N-ch, 30A         | Infineon       | IPD30N06S4L-23       | Transistor | 1        |

Figure 11-6 Bill of Materials for Flyback Application Circuit

Application Information

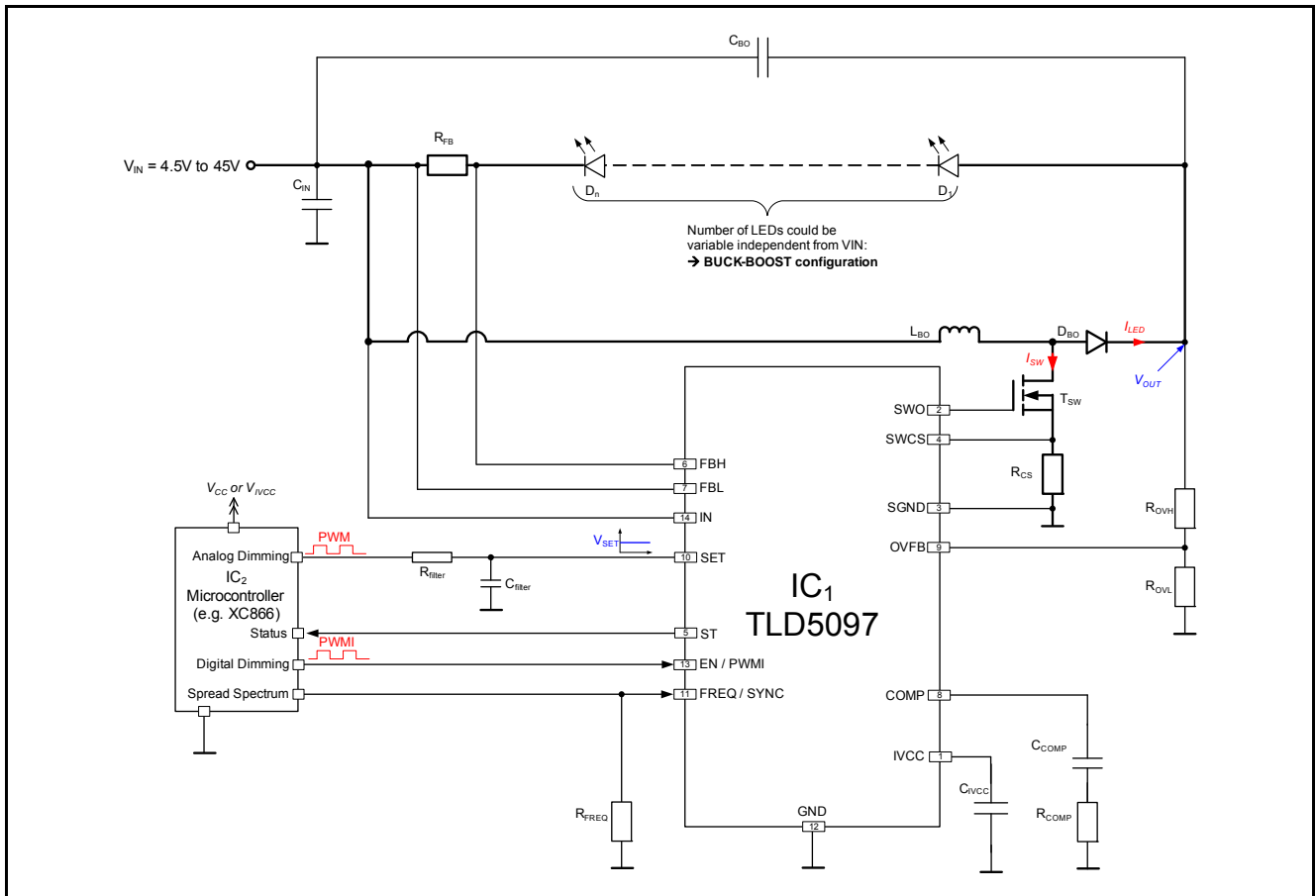


Figure 11-7 Boost to Battery Application Circuit - B2B (Buck-Boost configuration)

| Reference Designator | Value                             | Manufacturer | Part Number           | Type       | Quantity |
|----------------------|-----------------------------------|--------------|-----------------------|------------|----------|
| D <sub>1 - n</sub>   | White                             | Osram        | LUW H9GP              | Diode      | variable |
| D <sub>BO</sub>      | Schottky, 3 A, 100 V <sub>R</sub> | Vishay       | SS3H10                | Diode      | 1        |
| C <sub>BO</sub>      | 10 uF, 80V                        | Panasonic    | EEEFK1K100P           | Capacitor  | 1        |
| C <sub>IN</sub>      | 100 uF, 50V                       | Panasonic    | EEEFK1H101GP          | Capacitor  | 1        |
| C <sub>COMP</sub>    | 100 nF                            | EPCOS        | X7R                   | Capacitor  | 1        |
| C <sub>IVCC</sub>    | 1 uF, 6.3V                        | EPCOS        | MLCC CCNPZC105KBW X7R | Capacitor  | 1        |
| IC <sub>1</sub>      | --                                | Infineon     | TLD5097               | IC         | 1        |
| IC <sub>2</sub>      | --                                | Infineon     | XC866                 | IC         | 1        |
| L <sub>BO</sub>      | 100 uH                            | Coilcraft    | MSS1278T-104ML_       | Inductor   | 1        |
| R <sub>COMP</sub>    | 10 kΩ, 1%                         | Panasonic    | ERJ3EKF1002V          | Resistor   | 1        |
| R <sub>FB</sub>      | 820 mΩ, 1%                        | Panasonic    | ERJ14BQFR82U          | Resistor   | 1        |
| R <sub>FREQ</sub>    | 20 kΩ, 1%                         | Panasonic    | ERJ3EKF2002V          | Resistor   | 1        |
| R <sub>OVH</sub>     | 33.2 kΩ, 1%                       | Panasonic    | ERJP06F5102V          | Resistor   | 1        |
| R <sub>OVL</sub>     | 1 kΩ, 1%                          | Panasonic    | ERJ3EKF1001V          | Resistor   | 1        |
| R <sub>CS</sub>      | 50 mΩ, 1%                         | Panasonic    | ERJB1CFR05U           | Resistor   | 1        |
| T <sub>SW</sub>      | N-ch, OptiMOS-T2 100V, 35A        | Infineon     | IPD35N10S3L-26        | Transistor | 1        |
|                      | alternativ: 60V N-ch, 30A         | Infineon     | IPD30N06S4L-23        | Transistor | 1        |

Figure 11-8 Bill of Materials for B2B Application Circuit

Application Information

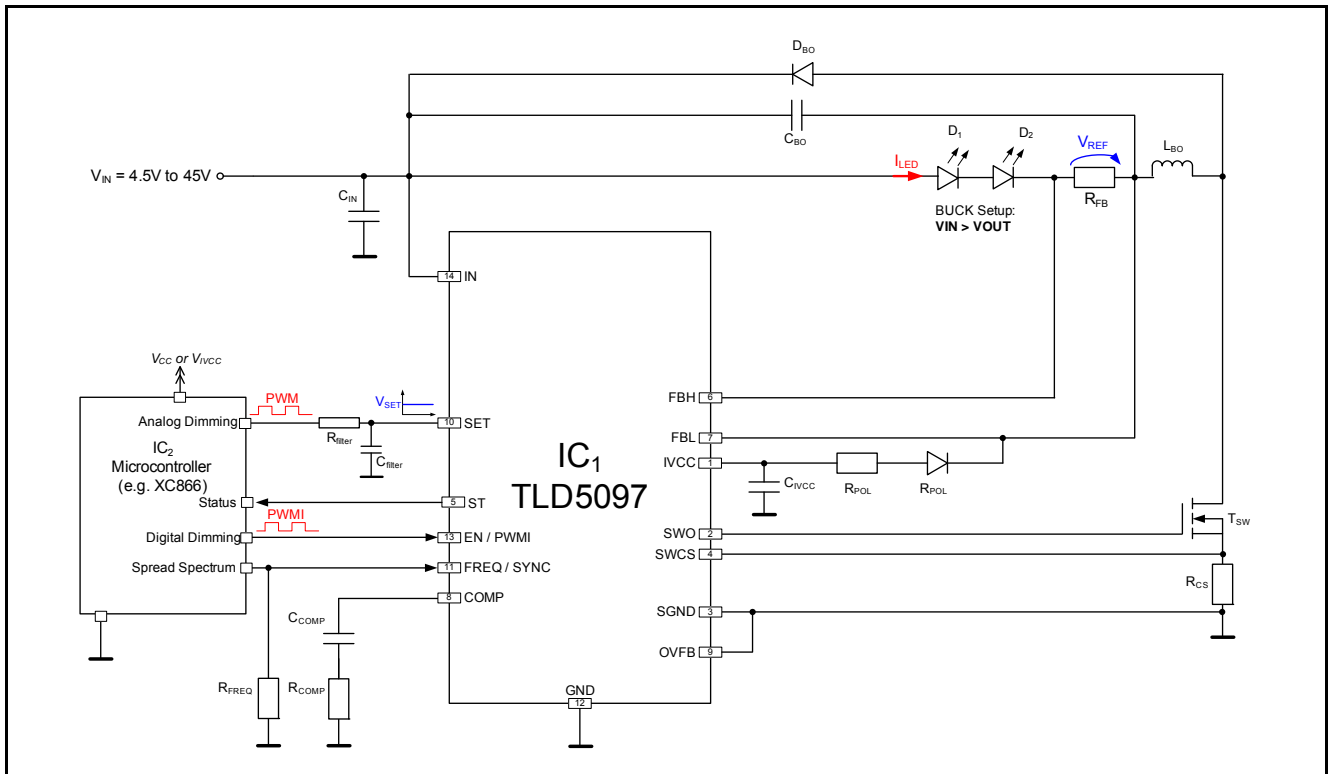


Figure 11-9 Buck Application Circuit

| Reference Designator | Value                             | Manufacturer   | Part Number           | Type       | Quantity |
|----------------------|-----------------------------------|----------------|-----------------------|------------|----------|
| D <sub>1-2</sub>     | White                             | Osram          | LE UW Q9WP            | LED        | 2        |
| D <sub>BO</sub>      | Schottky, 3 A, 100 V <sub>R</sub> | Vishay         | SS3H10                | Diode      | 1        |
| D <sub>POL</sub>     | 80V Diode                         | Infineon       | BAS1603W              | Diode      | 1        |
| C <sub>BO</sub>      | 4.7 uF, 50V                       | EPCOS          | X7R                   | Capacitor  | 1        |
| C <sub>IN</sub>      | 100 uF, 50V                       | Panasonic      | EEEFK1H101GP          | Capacitor  | 1        |
| C <sub>COMP</sub>    | 47 nF                             | EPCOS          | X7R                   | Capacitor  | 1        |
| C <sub>IVCC</sub>    | 1 uF, 6.3V                        | EPCOS          | MLCC CCNPZC105KBW X7R | Capacitor  | 1        |
| IC <sub>1</sub>      | --                                | Infineon       | TLD5097               | IC         | 1        |
| IC <sub>2</sub>      | --                                | Infineon       | XC866                 | IC         | 1        |
| L <sub>1</sub>       | 22 µH                             | Coilcraft      | MSS1278T              | Inductor   | 1        |
| R <sub>POL</sub>     | 10 kΩ, 1%                         | Panasonic      | ERJ3EKF1002V          | Resistor   | 1        |
| R <sub>FB</sub>      | 820 mΩ, 1%                        | Isabellenhütte | SMS – Power Resistor  | Resistor   | 1        |
| R <sub>FREQ</sub>    | 20 kΩ, 1%                         | Panasonic      | ERJ3EKF2002V          | Resistor   | 1        |
| R <sub>CS</sub>      | 50 mΩ, 1%                         | Isabellenhütte | SMS - Power Resistor  | Resistor   | 1        |
| T <sub>SW</sub>      | 100V N-ch, 35A                    | Infineon       | IPG20N10S4L-22        | Transistor | 1        |
|                      | alternativ: 60V N-ch, 30A         | Infineon       | IPD30N06S4L-23        | Transistor | 1        |

Figure 11-10 Bill of Materials for Buck Application Circuit

Application Information

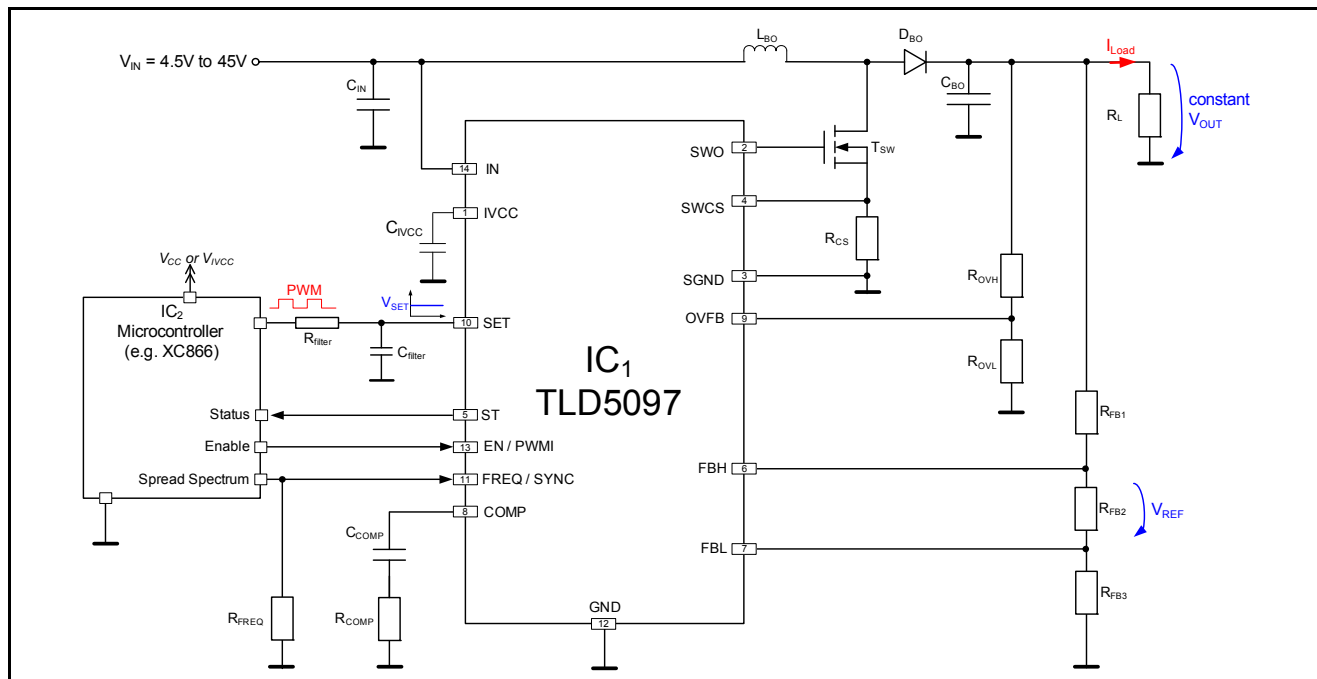


Figure 11-11 Boost Voltage Application Circuit

| Reference Designator                | Value                             | Manufacturer | Part Number     | Type       | Quantity |
|-------------------------------------|-----------------------------------|--------------|-----------------|------------|----------|
| D <sub>BO</sub>                     | Schottky, 3 A, 100 V <sub>R</sub> | Vishay       | SS3H10          | Diode      | 1        |
| C <sub>BO</sub>                     | 100 uF, 80V                       | Panasonic    | EEVFK1K101Q     | Capacitor  | 1        |
| C <sub>IN</sub>                     | 100 uF, 50V                       | Panasonic    | EEEFK1H101GP    | Capacitor  | 1        |
| C <sub>COMP</sub>                   | 10 nF, 16V                        | EPCOS        | X7R             | Capacitor  | 1        |
| C <sub>IVCC</sub>                   | 1 uF, 6.3V                        | Panasonic    | X7R             | Capacitor  | 1        |
| IC <sub>1</sub>                     | --                                | Infineon     | TLD5097         | IC         | 1        |
| IC <sub>2</sub>                     | --                                | Infineon     | XC866           | IC         | 1        |
| L <sub>BO</sub>                     | 100 uH                            | Coilcraft    | MSS1278T-104ML_ | Inductor   | 1        |
| R <sub>COMP</sub>                   | 10 kohms, 1%                      | Panasonic    | ERJ3EKF 1002V   | Resistor   | 1        |
| R <sub>FB1</sub> , R <sub>FB3</sub> | 51 kohms, 1%                      | Panasonic    | ERJ3EKF 5102V   | Resistor   | 1        |
| R <sub>FB2</sub>                    | 1 kohms, 1%                       | Panasonic    | ERJ3EKF 1001V   | Resistor   | 1        |
| R <sub>FREQ</sub>                   | 20 kohms, 1%                      | Panasonic    | ERJ3EKF 2002V   | Resistor   | 1        |
| R <sub>OVH</sub>                    | 33.2 kohms, 1%                    | Panasonic    | ERJ3EKF 3322V   | Resistor   | 1        |
| R <sub>OVL</sub>                    | 1 kohms, 1%                       | Panasonic    | ERJ3EKF 1001V   | Resistor   | 1        |
| R <sub>CS</sub>                     | 50 mohms, 1%                      | Panasonic    | ERJB 1CFR05U    | Resistor   | 1        |
| T <sub>SW</sub>                     | N-ch, OptiMOS-T2 100V             | Infineon     | IPG20N10S4L-22  | Transistor | 1        |

Figure 11-12 Bill of Materials for Boost Voltage Application Circuit

Note: The application drawings and corresponding bill of materials are simplified examples. Optimization of the external components must be done accordingly to specific application requirements.

---

**Application Information**

**11.1 Further Application Information**

- For further information you may contact <http://www.infineon.com/>
- Application Note: TLD509x DC-DC Multitopology Controller IC “Dimensioning and Stability Guideline - Theory and Practice”

Package Outlines

12 Package Outlines

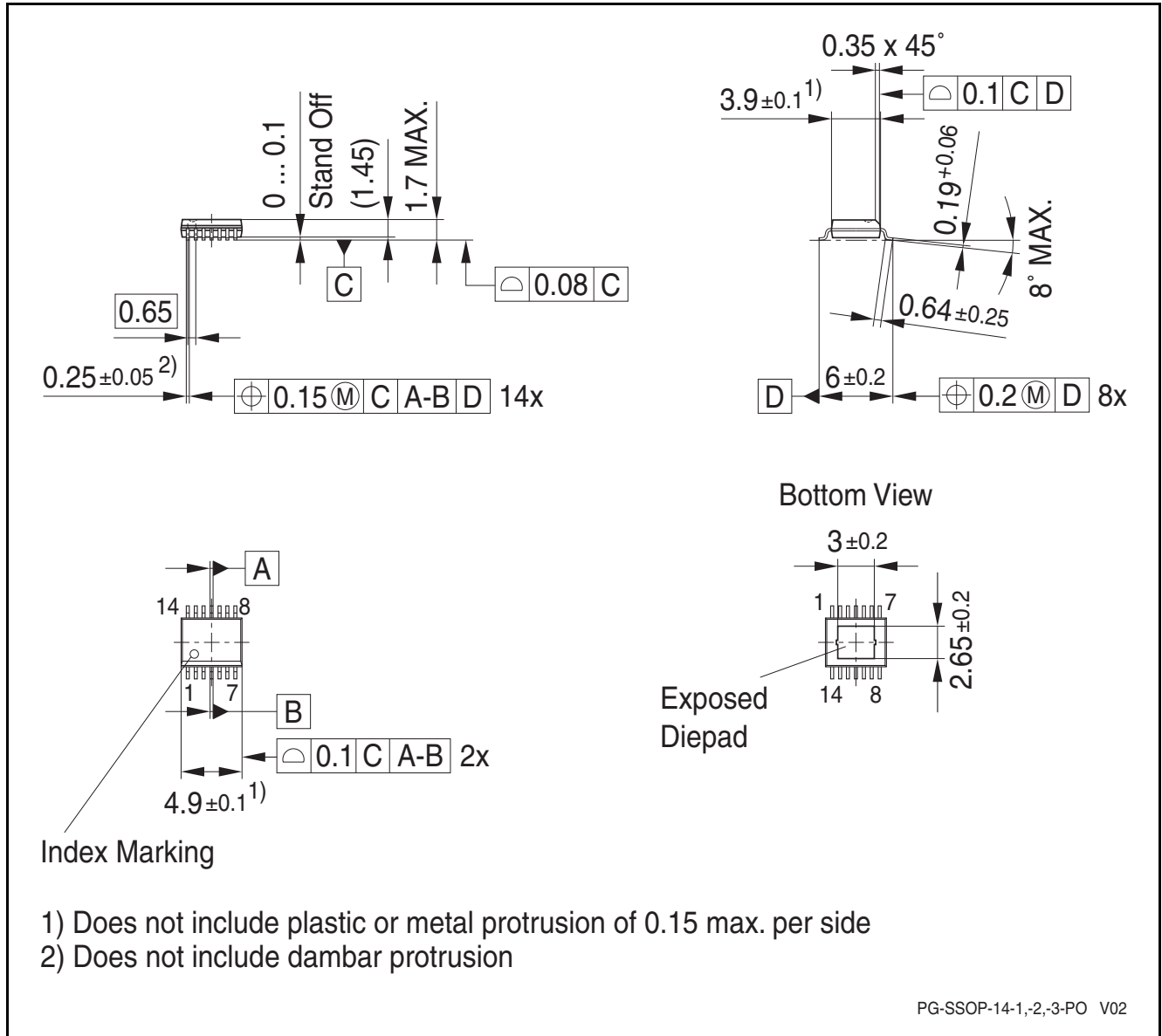


Figure 12-1 Outline PG-SSOP-14 Dimensions in mm

Green Product (RoHS Compliant)

To meet the world-wide customer requirements for environmentally friendly products and to be compliant with government regulations the device is available as a green product. Green products are RoHS-Compliant (i.e Pb-free finish on leads and suitable for Pb-free soldering according to IPC/JEDEC J-STD-020).

Note: For further package information, please visit our website: <http://www.infineon.com/packages>.



|                                 |   |                    |             |
|---------------------------------|---|--------------------|-------------|
| <b>Revision History</b>         |   |                    |             |
| <b>Revision 1.0, 2015-03-12</b> |   |                    |             |
| <b>Page or Item</b>             | <b>Subjects (major changes since previous revision)</b> | <b>Responsible</b> | <b>Date</b> |
| Rev1.0                          | Initial Data Sheet for TLD5097EL                        |                    | 2013-11-12  |



### Trademarks of Infineon Technologies AG

AURIX™, C166™, CanPAK™, CIPOS™, CoolGaN™, CoolMOS™, CoolSET™, CoolSiC™, CORECONTROL™, CROSSAVE™, DAVE™, DI-POL™, DrBLADE™, EasyPIM™, EconoBRIDGE™, EconoDUAL™, EconoPACK™, EconoPIM™, EiceDRIVER™, eupec™, FCOS™, HITFET™, HybridPACK™, Infineon™, ISOFACE™, IsoPACK™, i-Wafer™, MIPAQ™, ModSTACK™, my-d™, NovalithIC™, OmniTune™, OPTIGA™, OptiMOS™, ORIGA™, POWERCODE™, PRIMARION™, PrimePACK™, PrimeSTACK™, PROFET™, PRO-SIL™, RASIC™, REAL3™, ReverSave™, SatRIC™, SIEGET™, SIPMOST™, SmartLEWIS™, SOLID FLASH™, SPOC™, TEMPFET™, thinQ™, TRENCHSTOP™, TriCore™.

### Other Trademarks

Advance Design System™ (ADS) of Agilent Technologies, AMBA™, ARM™, MULTI-ICE™, KEIL™, PRIMECELL™, REALVIEW™, THUMB™, µVision™ of ARM Limited, UK. ANSI™ of American National Standards Institute. AUTOSAR™ of AUTOSAR development partnership. Bluetooth™ of Bluetooth SIG Inc. CAT-iq™ of DECT Forum. CIPURSE™ of OSPT Alliance. COLOSSUS™, FirstGPS™ of Trimble Navigation Ltd. EMV™ of EMVCo, LLC (Visa Holdings Inc.). EPCOS™ of Epcos AG. FLEXGO™ of Microsoft Corporation. HYPERTERMINAL™ of Hilgraeve Incorporated. MCS™ of Intel Corp. IEC™ of Commission Electrotechnique Internationale. IrDA™ of Infrared Data Association Corporation. ISO™ of INTERNATIONAL ORGANIZATION FOR STANDARDIZATION. MATLAB™ of MathWorks, Inc. MAXIM™ of Maxim Integrated Products, Inc. MICROTEC™, NUCLEUS™ of Mentor Graphics Corporation. MIPI™ of MIPI Alliance, Inc. MIPS™ of MIPS Technologies, Inc., USA. muRata™ of MURATA MANUFACTURING CO., MICROWAVE OFFICE™ (MWO) of Applied Wave Research Inc., OmniVision™ of OmniVision Technologies, Inc. Openwave™ of Openwave Systems Inc. RED HAT™ of Red Hat, Inc. RFMD™ of RF Micro Devices, Inc. SIRIUS™ of Sirius Satellite Radio Inc. SOLARIS™ of Sun Microsystems, Inc. SPANSION™ of Spansion LLC Ltd. Symbian™ of Symbian Software Limited. TAIYO YUDEN™ of Taiyo Yuden Co. TEAKLITE™ of CEVA, Inc. TEKTRONIX™ of Tektronix Inc. TOKO™ of TOKO KABUSHIKI KAISHA TA. UNIX™ of X/Open Company Limited. VERILOG™, PALLADIUM™ of Cadence Design Systems, Inc. VLYNQ™ of Texas Instruments Incorporated. VXWORKS™, WIND RIVER™ of WIND RIVER SYSTEMS, INC. ZETEX™ of Diodes Zetex Limited.

Trademarks Update 2014-11-12

[www.infineon.com](http://www.infineon.com)

**Edition 2015-03-12**

**Published by**

**Infineon Technologies AG**

**81726 Munich, Germany**

**© 2014 Infineon Technologies AG.**

**All Rights Reserved.**

**Do you have a question about any aspect of this document?**

**Email: [erratum@infineon.com](mailto:erratum@infineon.com)**

**Document reference**

**Doc\_Number**

### Legal Disclaimer

The information given in this document shall in no event be regarded as a guarantee of conditions or characteristics. With respect to any examples or hints given herein, any typical values stated herein and/or any information regarding the application of the device, Infineon Technologies hereby disclaims any and all warranties and liabilities of any kind, including without limitation, warranties of non-infringement of intellectual property rights of any third party.

### Information

For further information on technology, delivery terms and conditions and prices, please contact the nearest Infineon Technologies Office ([www.infineon.com](http://www.infineon.com)).

### Warnings

Due to technical requirements, components may contain dangerous substances. For information on the types in question, please contact the nearest Infineon Technologies Office. Infineon Technologies components may be used in life-support devices or systems only with the express written approval of Infineon Technologies, if a failure of such components can reasonably be expected to cause the failure of that life-support device or system or to affect the safety or effectiveness of that device or system. Life support devices or systems are intended to be implanted in the human body or to support and/or maintain and sustain and/or protect human life. If they fail, it is reasonable to assume that the health of the user or other persons may be endangered.

Компания «Океан Электроники» предлагает заключение долгосрочных отношений при поставках импортных электронных компонентов на взаимовыгодных условиях!

Наши преимущества:

- Поставка оригинальных импортных электронных компонентов напрямую с производств Америки, Европы и Азии, а так же с крупнейших складов мира;
- Широкая линейка поставок активных и пассивных импортных электронных компонентов (более 30 млн. наименований);
- Поставка сложных, дефицитных, либо снятых с производства позиций;
- Оперативные сроки поставки под заказ (от 5 рабочих дней);
- Экспресс доставка в любую точку России;
- Помощь Конструкторского Отдела и консультации квалифицированных инженеров;
- Техническая поддержка проекта, помощь в подборе аналогов, поставка прототипов;
- Поставка электронных компонентов под контролем ВП;
- Система менеджмента качества сертифицирована по Международному стандарту ISO 9001;
- При необходимости вся продукция военного и аэрокосмического назначения проходит испытания и сертификацию в лаборатории (по согласованию с заказчиком);
- Поставка специализированных компонентов военного и аэрокосмического уровня качества (Xilinx, Altera, Analog Devices, Intersil, Interpoint, Microsemi, Actel, Aeroflex, Peregrine, VPT, Syfer, Eurofarad, Texas Instruments, MS Kennedy, Miteq, Cobham, E2V, MA-COM, Hittite, Mini-Circuits, General Dynamics и др.);

Компания «Океан Электроники» является официальным дистрибьютором и эксклюзивным представителем в России одного из крупнейших производителей разъемов военного и аэрокосмического назначения «JONHON», а так же официальным дистрибьютором и эксклюзивным представителем в России производителя высокотехнологичных и надежных решений для передачи СВЧ сигналов «FORSTAR».



## JONHON

«JONHON» (основан в 1970 г.)

Разъемы специального, военного и аэрокосмического назначения:

(Применяются в военной, авиационной, аэрокосмической, морской, железнодорожной, горно- и нефтедобывающей отраслях промышленности)

«FORSTAR» (основан в 1998 г.)

ВЧ соединители, коаксиальные кабели,  
кабельные сборки и микроволновые компоненты:

(Применяются в телекоммуникациях гражданского и специального назначения, в средствах связи, РЛС, а так же военной, авиационной и аэрокосмической отраслях промышленности).



Телефон: 8 (812) 309-75-97 (многоканальный)

Факс: 8 (812) 320-03-32

Электронная почта: [ocean@oceanchips.ru](mailto:ocean@oceanchips.ru)

Web: <http://oceanchips.ru/>

Адрес: 198099, г. Санкт-Петербург, ул. Калинина, д. 2, корп. 4, лит. А