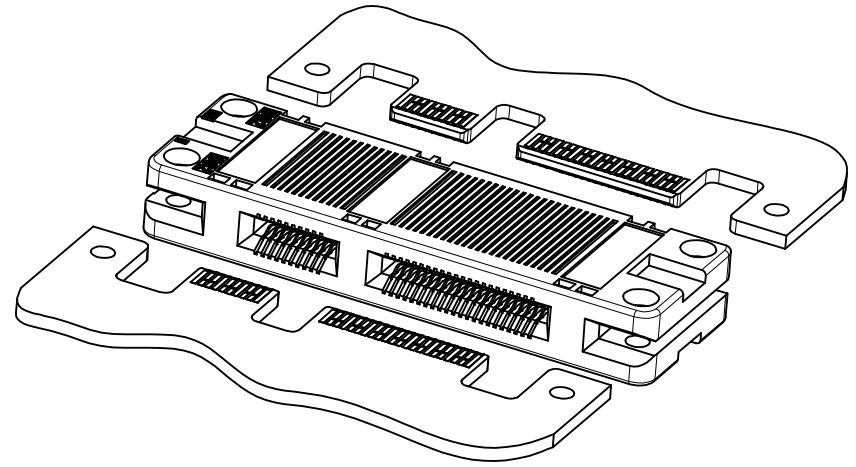
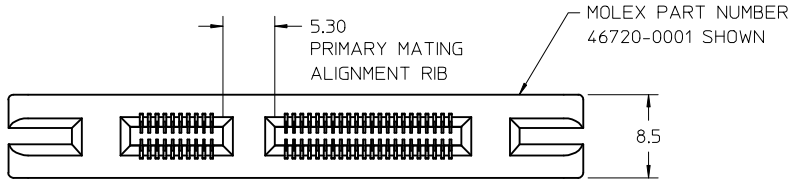
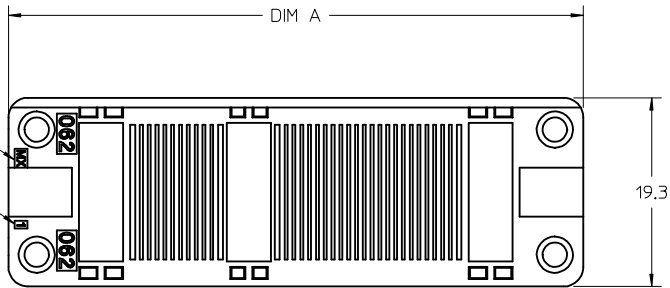
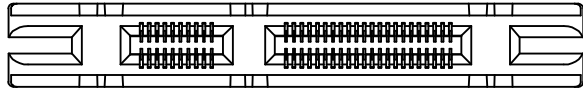
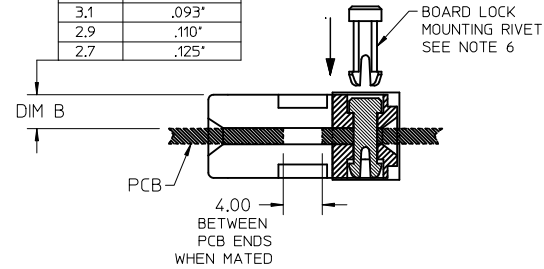


10 9 8 7 6 5 4 3 2 1



DIM B	PCB THK (in)
3.5	.062"
3.1	.093"
2.9	.110"
2.7	.125"



NOTES:

- MATERIAL:
HOUSING: LCP, UL94V-0, BLACK
TERMINAL: BRASS
- FINISH: SELECT GOLD: 0.76µm MIN, OVERALL NICKEL: 3.80 µm MIN
- ALL DIMENSIONS ARE FOR REFERENCE ONLY UNLESS OTHERWISE SPECIFIED.
- PRODUCT SPECIFICATION: PS-46720-001
- PACKAGING SPECIFICATION: PK-46720-001
- SPLIT PAD LAYOUT SHOWN FOR REFERENCE ONLY. CUSTOMER CAN DESIGNATE GROUND AND SIGNAL PAD LAYOUT BASED ON INTERNAL REQUIREMENTS. CUSTOMER SHOULD SEE MOLEX DOCUMENT # AS-46720-002 FOR RECOMMENDATIONS.
- OPTIONAL BOARD LOCK MOUNTING RIVET AVAILABLE. MOLEX PART NUMBER 46720-7710. MOLEX RIVET REMOVAL TOOL NUMBER 638123502. SEE SD-46720-7710 FOR RIVET SALES DRAWING.

REPLACED SD-46720-001
 E.C. NO: UCP2013-1394
 DRAWN: T.GREGORI 2012/10/24
 CHKD: J.COMERCI
 APPR: J.COMERCI 2012/10/30
 REV DESCRIPTION

QUALITY SYMBOLS
▽=0
▽=0
▽=0
▽=1

GENERAL TOLERANCES (UNLESS SPECIFIED)	
mm	INCH
4 PLACES ± .005	± .0004
3 PLACES ± .005	± .0004
2 PLACES ± .005	± .0004
1 PLACE ± .005	± .0004
ANGULAR ± 1/2°	

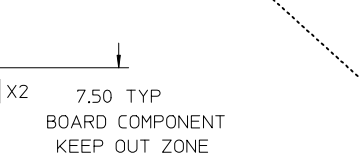
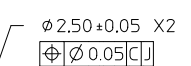
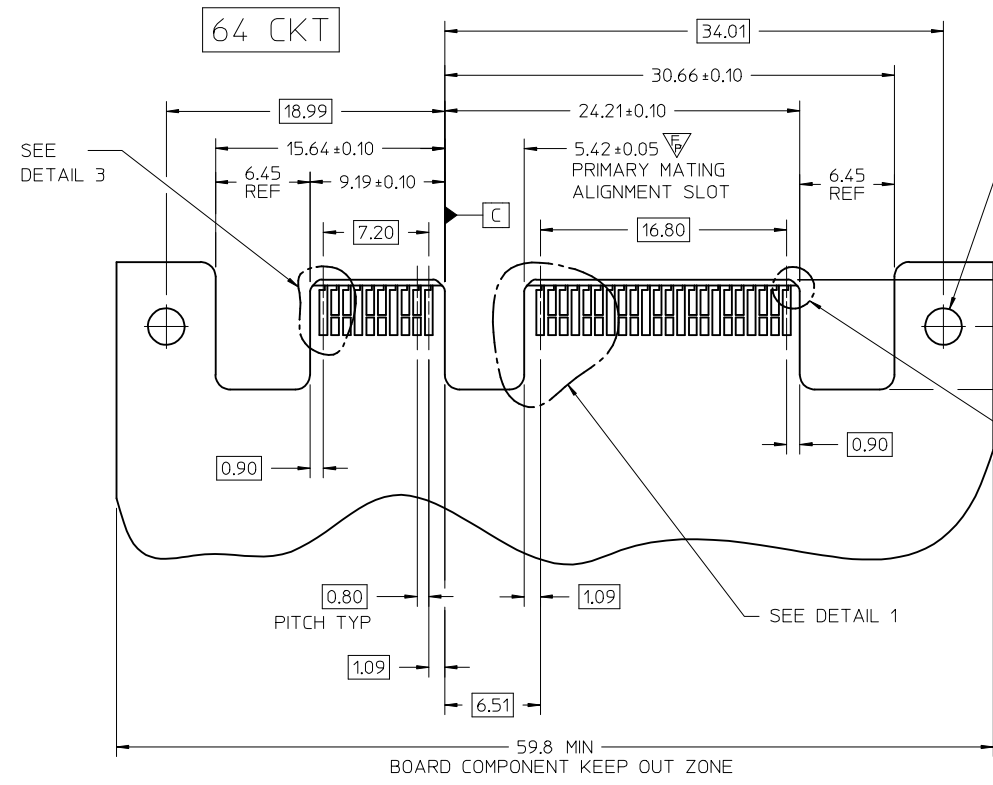
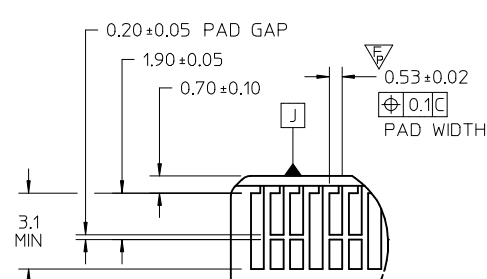
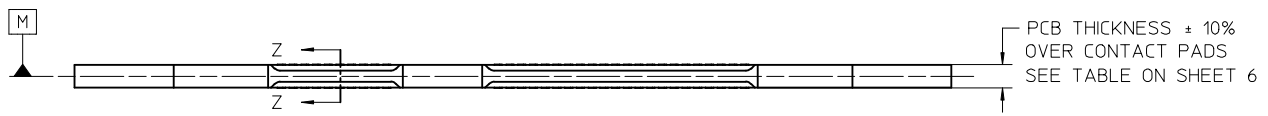
DRAFT WHERE APPLICABLE MUST REMAIN WITHIN DIMENSIONS

DIMENSION STYLE	
MM ONLY	
DRAWN BY	DATE
T.GREGORI	2010/03/24
CHECKED BY	DATE
J.COMERCI	2010/04/12
APPROVED BY	DATE
J.COMERCI	2010/04/12
MATERIAL NO.	
SEE SHEET 7	
SIZE	B

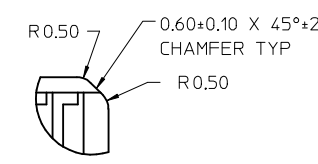
SCALE	DESIGN UNITS	THIRD ANGLE PROJECTION
2:1	METRIC	THIRD ANGLE PROJECTION
ASSEMBLY EDGELINE COEDGE CONNECTOR, 100 OHM		
MOLEX INCORPORATED		
DOCUMENT NO.	SD-46720-0000	SHEET NO. 1 OF 7

9 8 7 6 5 4 3 2 1

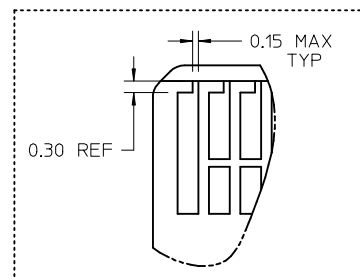
10 9 8 7 6 5 4 3 2 1



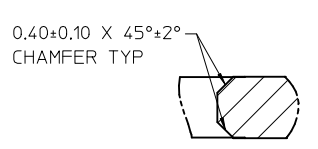
DETAIL 1
SEE NOTE 6
SCALE 5:1



DETAIL 2
SCALE 8:1



DETAIL 3
RECOMMENDED TIE BAR
LOCATION AND SIZE
SCALE 8:1



SECTION Z-Z
SCALE 8:1

NOTE:
CONTACT MOLEX FOR CUSTOMER APPLICATIONS
WITH MULTIPLE CONNECTORS PER BOARD

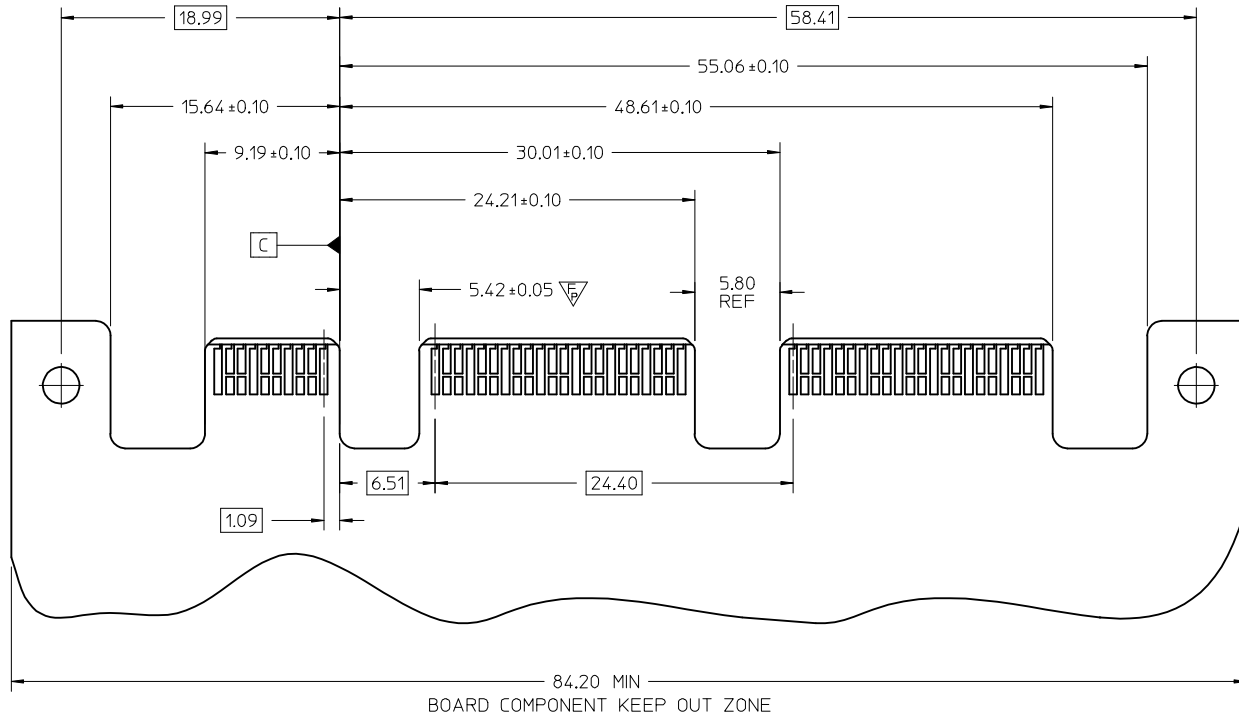
SEE SHEET 1 EC NO: UCP2013-1394 DRAWN: JGREGORI 2012/10/24 CHKD: JCOMERC I APPR: JCOMERC I 2012/10/30 REV:	QUALITY SYMBOLS ▽=0 ▽=0 ▽=2 ▽=2	GENERAL TOLERANCES (UNLESS SPECIFIED) <table border="1"> <thead> <tr> <th></th> <th>mm</th> <th>INCH</th> </tr> </thead> <tbody> <tr> <td>4 PLACES</td> <td>± ---</td> <td>± ---</td> </tr> <tr> <td>3 PLACES</td> <td>± ---</td> <td>± ---</td> </tr> <tr> <td>2 PLACES</td> <td>± ---</td> <td>± ---</td> </tr> <tr> <td>1 PLACE</td> <td>± ---</td> <td>± ---</td> </tr> </tbody> </table>		mm	INCH	4 PLACES	± ---	± ---	3 PLACES	± ---	± ---	2 PLACES	± ---	± ---	1 PLACE	± ---	± ---	DIMENSION STYLE MM ONLY DRAWN BY: JGREGORI DATE: 2010/03/24 CHECKED BY: JCOMERC I DATE: 2010/04/12 APPROVED BY: JCOMERC I DATE: 2010/04/12 MATERIAL NO.	SCALE 3:1 TITLE ASSEMBLY EDGELINE COEDGE CONNECTOR, 100 OHM	DESIGN UNITS METRIC THIRD ANGLE PROJECTION
		mm	INCH																	
	4 PLACES	± ---	± ---																	
	3 PLACES	± ---	± ---																	
2 PLACES	± ---	± ---																		
1 PLACE	± ---	± ---																		
DRAFT WHERE APPLICABLE MUST REMAIN WITHIN DIMENSIONS		SEE SHEET 7	DOCUMENT NO. SD-46720-0000	SHEET NO. 2 OF 7																
THIS DRAWING CONTAINS INFORMATION THAT IS PROPRIETARY TO MOLEX INCORPORATED AND SHOULD NOT BE USED WITHOUT WRITTEN PERMISSION																				

9 8 7 6 5 4 3 2 1

10 9 8 7 6 5 4 3 2 1

108 CKT

ALL DIMENSIONS ARE THE SAME AS 64 CKT (SHEET 2) UNLESS OTHERWISE SPECIFIED



NOTE:
CONTACT MOLEX FOR CUSTOMER APPLICATIONS
WITH MULTIPLE CONNECTORS PER BOARD

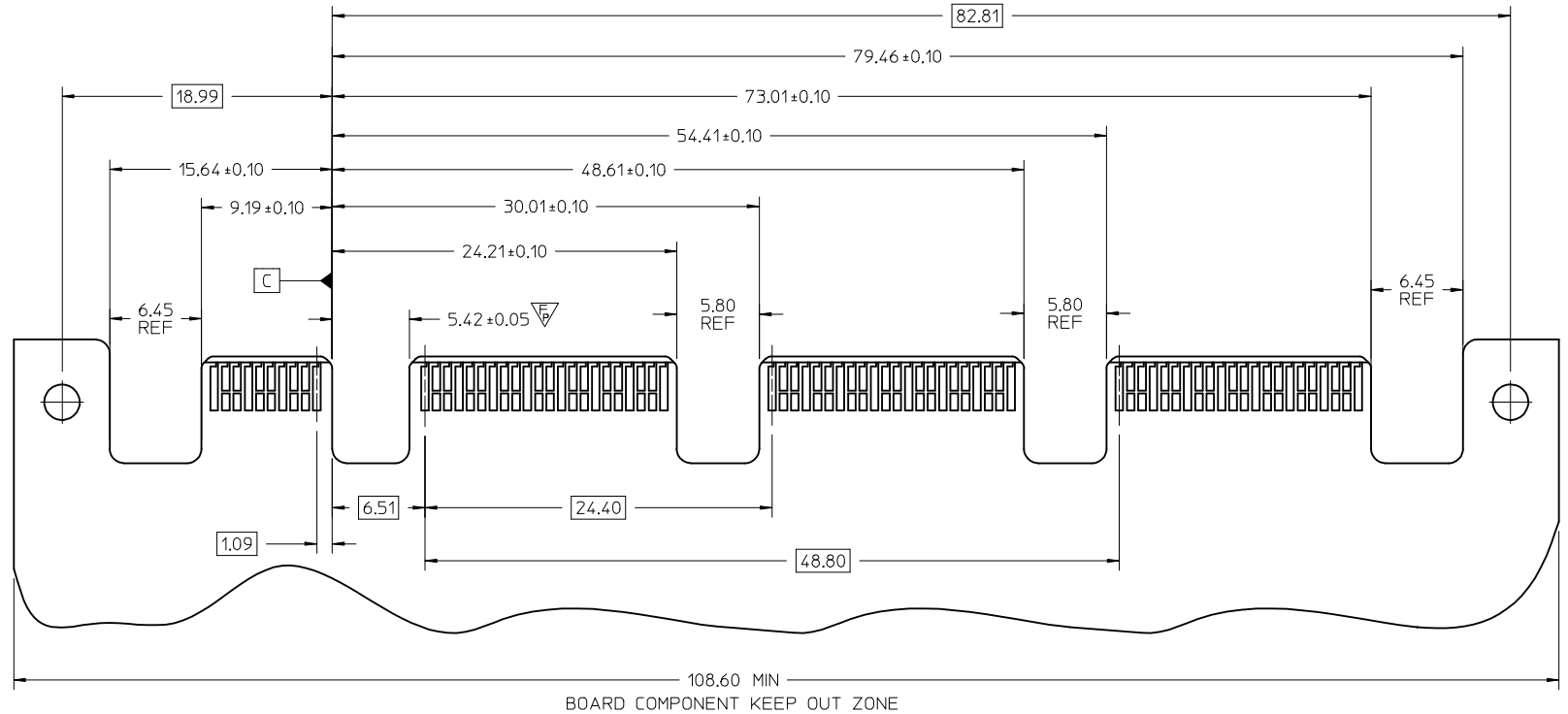
SEE SHEET 1 EC NO: UCP2013-1394 DRAWN: JGREGORI 2012/10/24 CHKD: JGREGORI APPR: JCOMERCI 2012/10/30	QUALITY SYMBOLS	GENERAL TOLERANCES (UNLESS SPECIFIED)		DIMENSION STYLE MM ONLY		SCALE 3:1	DESIGN UNITS METRIC	THIRD ANGLE PROJECTION	
	▽=0	mm	INCH	DRAWN BY JGREGORI	DATE 2010/03/24	TITLE ASSEMBLY EDGE LINE COEDGE CONNECTOR, 100 OHM			
	▽=0	4 PLACES ± ---	± ---	CHECKED BY	DATE	MOLEX MOLEX INCORPORATED DOCUMENT NO. SD-46720-0000 SHEET NO. 3 OF 7			
	▽=1	3 PLACES ± ---	± ---	APPROVED BY JCOMERCI	DATE 2010/04/12				
▽=1	2 PLACES ± ---	± ---	MATERIAL NO.		THIS DRAWING CONTAINS INFORMATION THAT IS PROPRIETARY TO MOLEX INCORPORATED AND SHOULD NOT BE USED WITHOUT WRITTEN PERMISSION				
▽=1	1 PLACE ± ---	± ---	ANGULAR ±1/2°		SEE SHEET 7				
		DRAFT WHERE APPLICABLE MUST REMAIN WITHIN DIMENSIONS		SIZE B					

9 8 7 6 5 4 3 2 1

10 9 8 7 6 5 4 3 2 1

152 CKT

ALL DIMENSIONS ARE THE SAME AS 64 CKT (SHEET 2) UNLESS OTHERWISE SPECIFIED



NOTE:
CONTACT MOLEX FOR CUSTOMER APPLICATIONS WITH MULTIPLE CONNECTORS PER BOARD

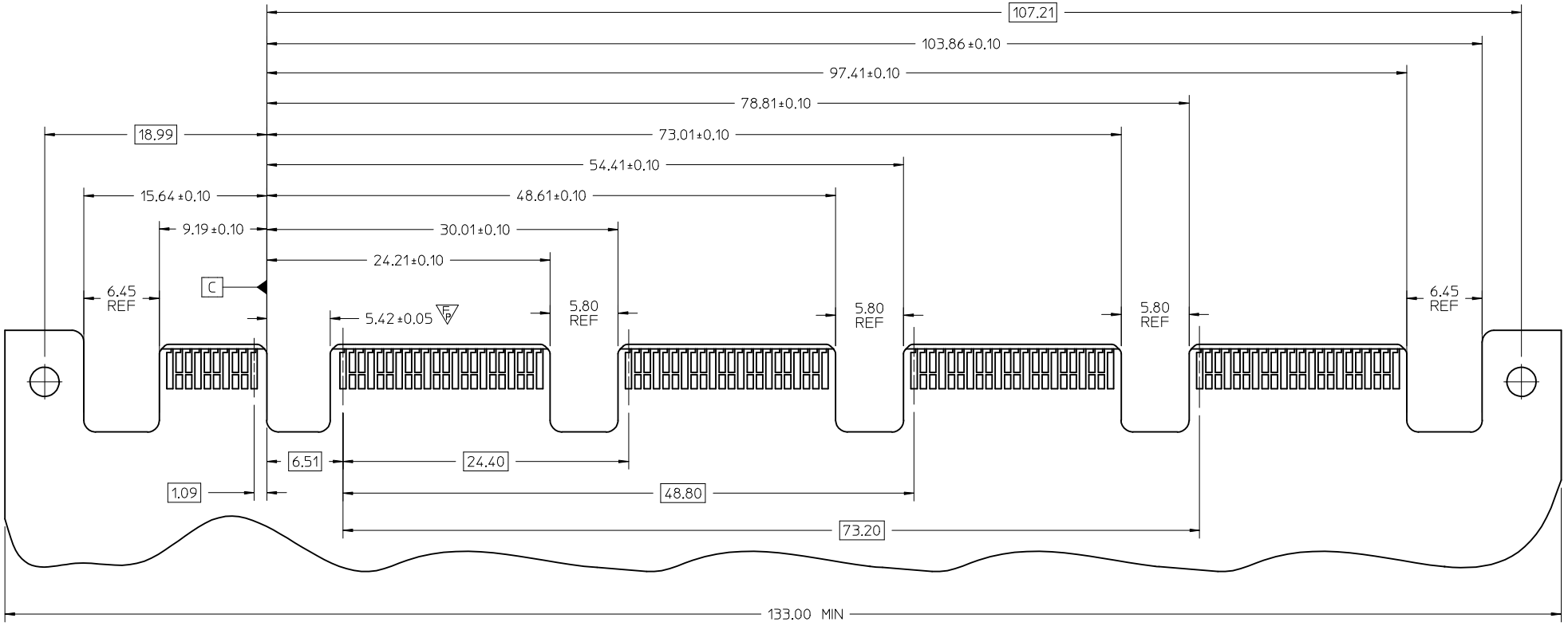
SEE SHEET 1 EC NO: UCP2013-1394 DRAWN: JGREGORI 2012/10/24 CHKD: JGREGORI APPR: JCOMERCI 2012/10/30	QUALITY SYMBOLS	GENERAL TOLERANCES (UNLESS SPECIFIED)	DIMENSION STYLE	SCALE	DESIGN UNITS	THIRD ANGLE PROJECTION
	▽=0	mm INCH	MM ONLY	3:1	METRIC	⊙
	▽=0	4 PLACES ± --- ± ---	DRAWN BY DATE	TITLE	ASSEMBLY EDGELINE COEDGE CONNECTOR, 100 OHM	
	▽=1	3 PLACES ± --- ± ---	JGREGORI 2010/03/24	MOLEX INCORPORATED		
▽=1	2 PLACES ± --- ± ---	1 PLACE ± --- ± ---	APPROVED BY DATE	JCOMERCI 2010/04/12	DOCUMENT NO.	SHEET NO.
▽=1	ANGULAR ±1/2°	DRAFT WHERE APPLICABLE MUST REMAIN WITHIN DIMENSIONS	MATERIAL NO.	SEE SHEET 7	SD-46720-0000	4 OF 7
			SIZE B	THIS DRAWING CONTAINS INFORMATION THAT IS PROPRIETARY TO MOLEX INCORPORATED AND SHOULD NOT BE USED WITHOUT WRITTEN PERMISSION		

9 8 7 6 5 4 3 2 1

10 9 8 7 6 5 4 3 2 1

196 CKT

ALL DIMENSIONS ARE THE SAME AS 64 CKT (SHEET 2) UNLESS OTHERWISE SPECIFIED



133.00 MIN BOARD COMPONENT KEEP OUT ZONE

NOTE:
CONTACT MOLEX FOR CUSTOMER APPLICATIONS WITH MULTIPLE CONNECTORS PER BOARD

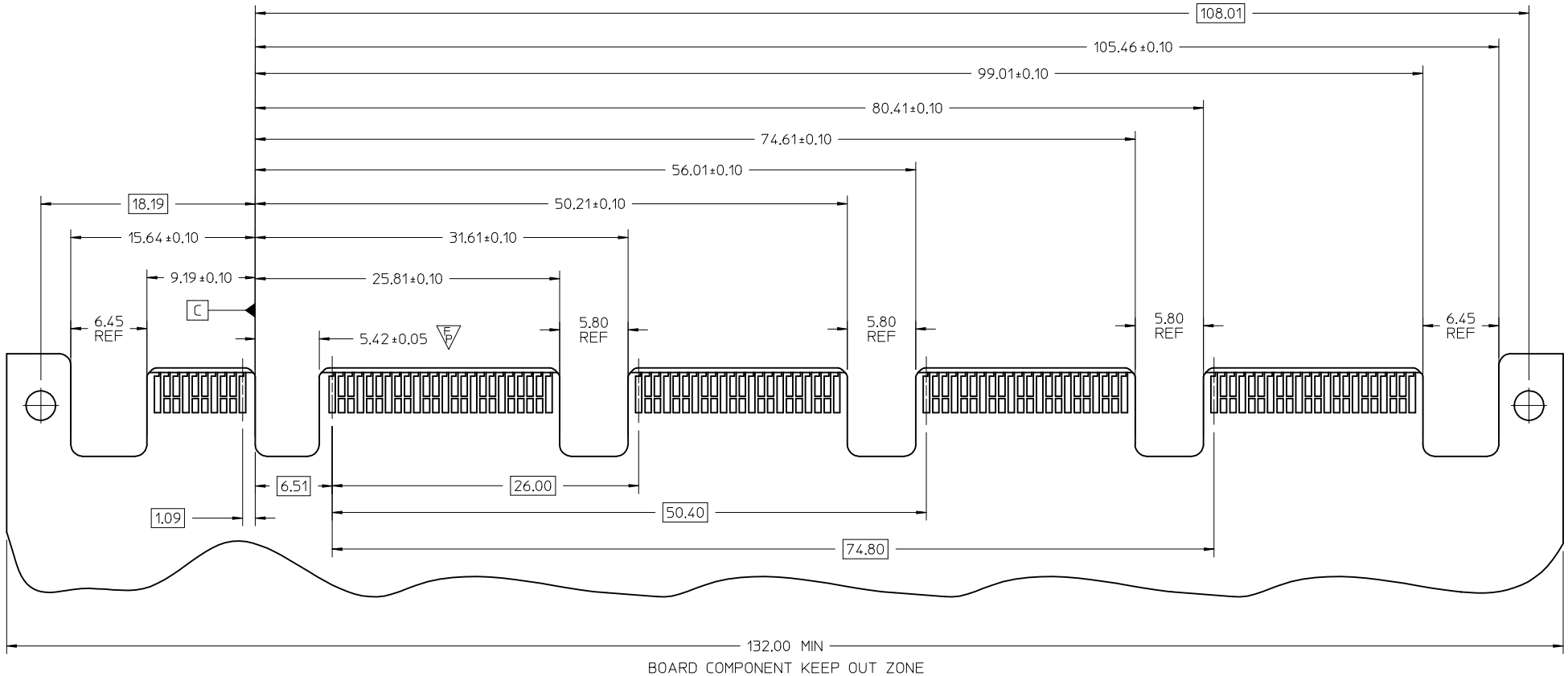
SEE SHEET 1 EC NO: UCP2013-1394 DRAWN: TGREGORI 2012/10/24 CHKD: JCOMERCI APPR: JCOMERCI 2012/10/30	QUALITY SYMBOLS	GENERAL TOLERANCES (UNLESS SPECIFIED)	DIMENSION STYLE	SCALE	DESIGN UNITS	THIRD ANGLE PROJECTION
	▽=0	mm INCH	MM ONLY	3:1	METRIC	
	▽=0	4 PLACES ± --- ± ---	DRAWN BY DATE	TITLE	ASSEMBLY EDGELINE COEDGE CONNECTOR, 100 OHM	
	▽=1	3 PLACES ± --- ± ---	TGREGORI 2010/03/24			
▽=1	2 PLACES ± --- ± ---	CHECKED BY DATE			MOLEX INCORPORATED SD-46720-0000	
▽=1	1 PLACE ± --- ± ---	JCOMERCI 2010/04/12				
	ANGULAR ±1/2°	DRAFT WHERE APPLICABLE MUST REMAIN WITHIN DIMENSIONS	APPROVED BY DATE	MATERIAL NO.	DOCUMENT NO.	SHEET NO.
			JCOMERCI 2010/04/12	SEE SHEET 7	SD-46720-0000	5 OF 7
				THIS DRAWING CONTAINS INFORMATION THAT IS PROPRIETARY TO MOLEX INCORPORATED AND SHOULD NOT BE USED WITHOUT WRITTEN PERMISSION		

9 8 7 6 5 4 3 2 1

10 9 8 7 6 5 4 3 2 1

200 CKT

ALL DIMENSIONS ARE THE SAME AS 64 CKT (SHEET 2) UNLESS OTHERWISE SPECIFIED



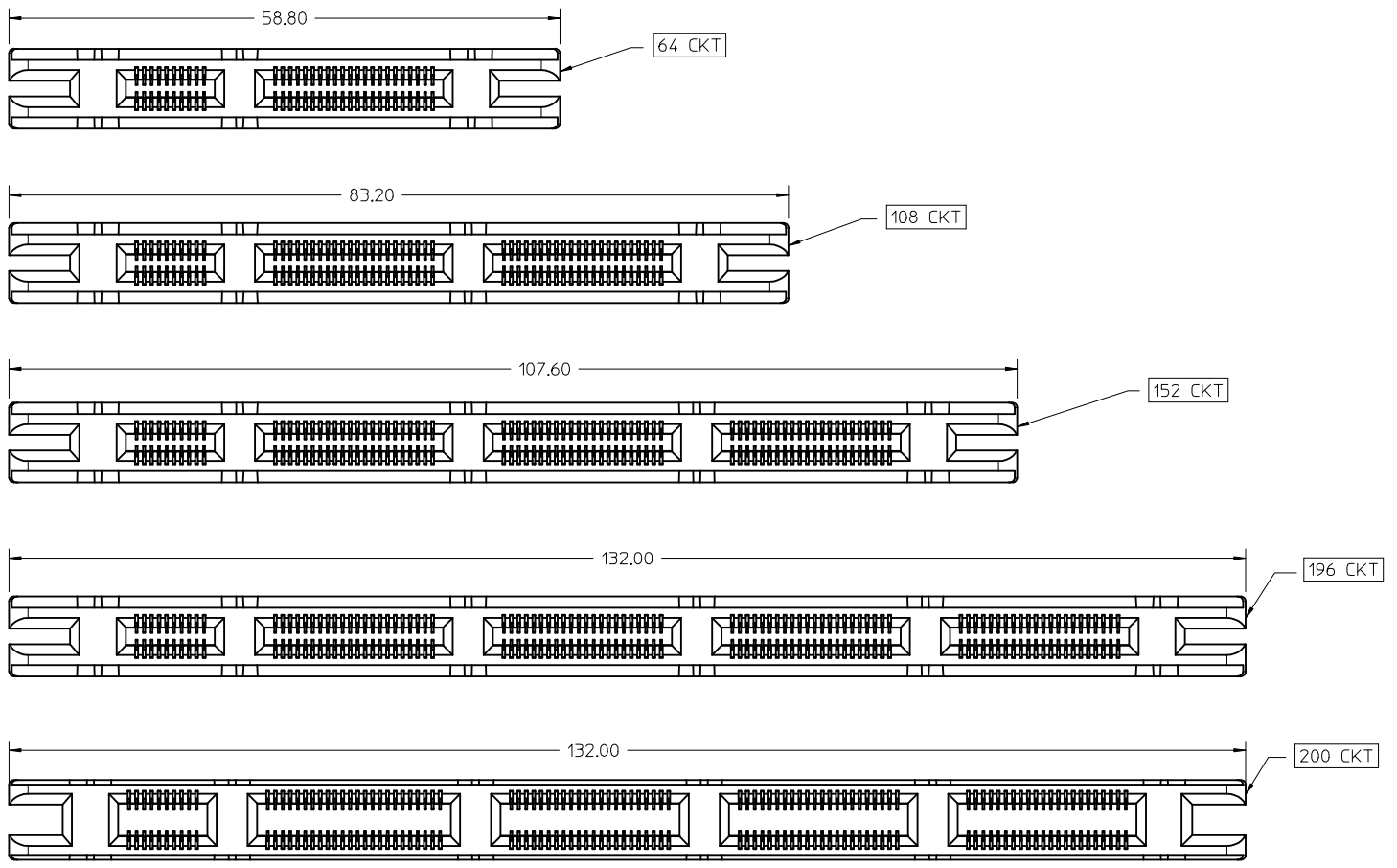
NOTE:
CONTACT MOLEX FOR CUSTOMER APPLICATIONS
WITH MULTIPLE CONNECTORS PER BOARD

SEE SHEET 1 EC NO: UCP2013-1394 DRAWN: TGREGORI 2012/10/24 CHKD: JCOMERCI APPR: JCOMERCI 2012/10/30	QUALITY SYMBOLS	GENERAL TOLERANCES (UNLESS SPECIFIED)	DIMENSION STYLE	SCALE	DESIGN UNITS	THIRD ANGLE PROJECTION
	▽=0	mm INCH	MM ONLY	3:1	METRIC	⊙
	▽=0	4 PLACES ± --- ± ---	DRAWN BY DATE	TITLE	ASSEMBLY EDGELINE COEDGE CONNECTOR, 100 OHM molex	
	▽=1	3 PLACES ± --- ± ---	TGREGORI 2010/03/24	ASSEMBLY		
▽=1	2 PLACES ± --- ± ---	CHECKED BY DATE	APPROVED BY DATE	DOCUMENT NO.	SHEET NO. 6 OF 7	
▽=1	1 PLACE ± --- ± ---	JCOMERCI 2010/04/12	MATERIAL NO.	SD-46720-0000		
▽=1	0 PLACE ± ±	ANGULAR ±1/2° DRAFT WHERE APPLICABLE MUST REMAIN WITHIN DIMENSIONS	SEE SHEET 7	THIS DRAWING CONTAINS INFORMATION THAT IS PROPRIETARY TO MOLEX INCORPORATED AND SHOULD NOT BE USED WITHOUT WRITTEN PERMISSION		

9 8 7 6 5 4 3 2 1

PART NUMBER	CIRCUIT SIZE	PCB A THK (in)	PCB B THK (in)	DIM A
46720 0001	64	.062	.062	58.8
46720 0002	64	.093	.093	58.8
46720 0003	64	.110	.110	58.8
46720 0004	64	.125	.125	58.8
46720 0005	64	.062	.093	58.8
46720 0006	64	.062	.110	58.8
46720 0007	64	.062	.125	58.8
46720 0008	64	.093	.110	58.8
46720 0009	64	.093	.125	58.8
46720 0010	64	.110	.125	58.8
46720 0011	108	.062	.062	83.2
46720 0012	108	.093	.093	83.2
46720 0013	108	.110	.110	83.2
46720 0014	108	.125	.125	83.2
46720 0015	108	.062	.093	83.2
46720 0016	108	.062	.110	83.2
46720 0017	108	.062	.125	83.2
46720 0018	108	.093	.110	83.2
46720 0019	108	.093	.125	83.2
46720 0020	108	.110	.125	83.2
46720 0021	152	.062	.062	107.6
46720 0022	152	.093	.093	107.6
46720 0023	152	.110	.110	107.6
46720 0024	152	.125	.125	107.6
46720 0025	152	.062	.093	107.6
46720 0026	152	.062	.110	107.6
46720 0027	152	.062	.125	107.6
46720 0028	152	.093	.110	107.6
46720 0029	152	.093	.125	107.6
46720 0030	152	.110	.125	107.6
46720 0031	196	.062	.062	132
46720 0032	196	.093	.093	132
46720 0033	196	.110	.110	132
46720 0034	196	.125	.125	132
46720 0035	196	.062	.093	132
46720 0036	196	.062	.110	132
46720 0037	196	.062	.125	132
46720 0038	196	.093	.110	132
46720 0039	196	.093	.125	132
46720 0040	196	.110	.125	132
46720 0041	200	.125	.125	132

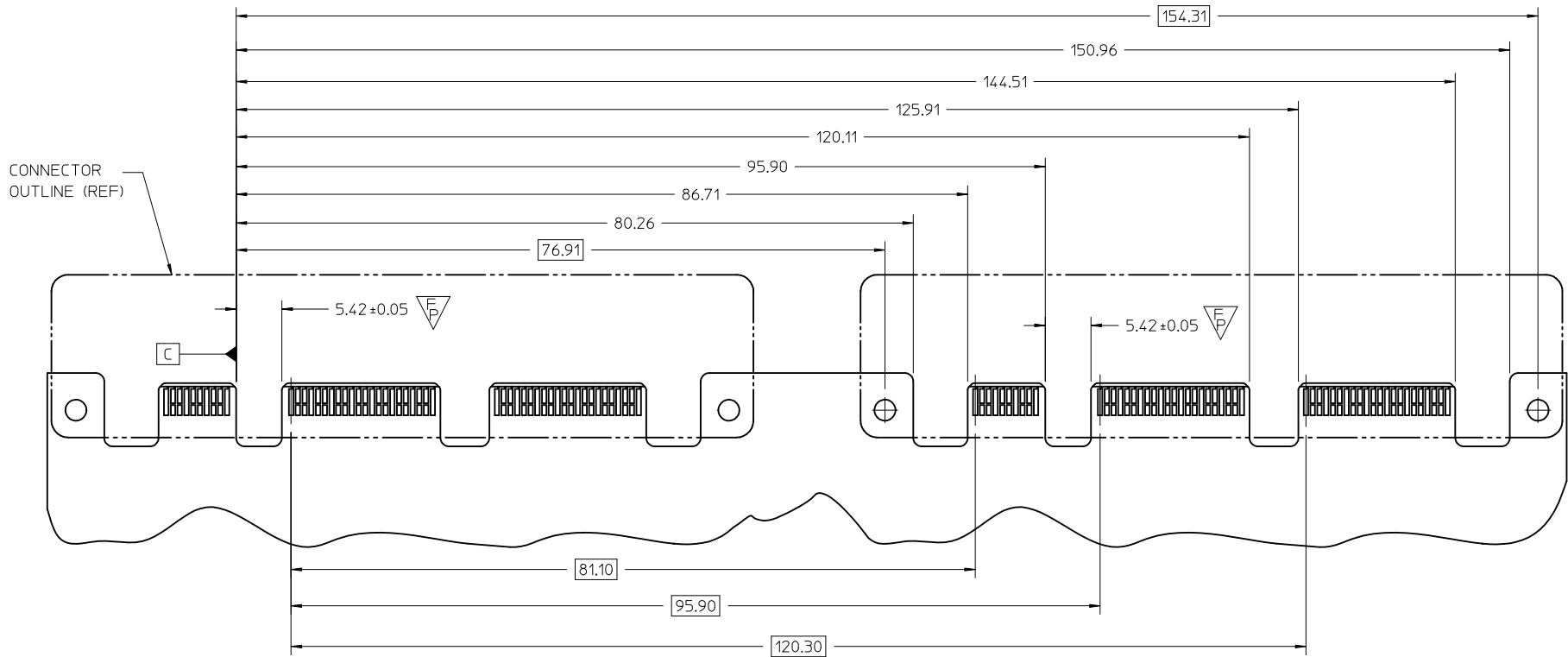
BOARD THICKNESS (IN)



SEE SHEET 1 EC NO: UCP2013-1394 DRAWN: JGREGORI 2012/10/24 CHKD: JGREGORI APPR: JCOMERCI 2012/10/30	QUALITY SYMBOLS $\nabla F=0$ $\nabla E=0$ $\nabla F=0$	GENERAL TOLERANCES (UNLESS SPECIFIED)		DIMENSION STYLE MM ONLY		SCALE 2:1	DESIGN UNITS METRIC	THIRD ANGLE PROJECTION			
		4 PLACES \pm --- \pm --- 3 PLACES \pm --- \pm --- 2 PLACES \pm --- \pm --- 1 PLACE \pm --- \pm ---	mm INCH	DRAWN BY JGREGORI	DATE 2010/03/24	TITLE ASSEMBLY EDGELINE COEDGE CONNECTOR, 100 OHM					
		ANGULAR $\pm 1/2^\circ$		CHECKED BY	DATE	APPROVED BY JCOMERCI					
		DRAFT WHERE APPLICABLE MUST REMAIN WITHIN DIMENSIONS		SEE TABLE		MATERIAL NO.				DATE 2010/04/12	
				MOLEX INCORPORATED		DOCUMENT NO. SD-46720-0000		SHEET NO. 7 OF 7			
THIS DRAWING CONTAINS INFORMATION THAT IS PROPRIETARY TO MOLEX INCORPORATED AND SHOULD NOT BE USED WITHOUT WRITTEN PERMISSION											

PCB 1 LAYOUT (PRIMARY)

SEE DRAWING SD-46720-0000 FOR ALL PAD DETAILS NOT SHOWN



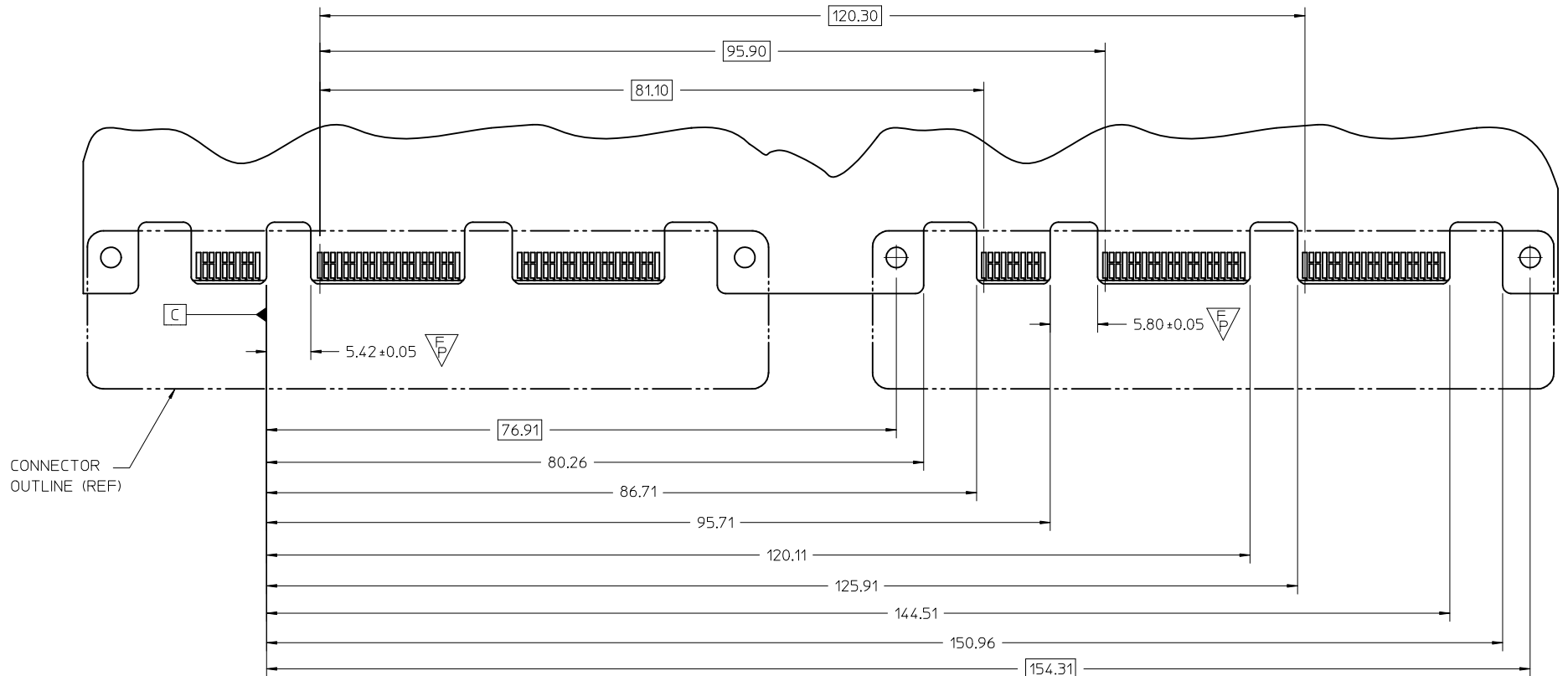
NOTE:

1. ALL CONNECTORS MUST BE MATED TO PCB 1 BEFORE TO PCB 2.

INITIAL RELEASE EC NO: UCP2012-0081 DRAWN: JGREGORI 2011/07/08 CHKD: JCOMERC I APPR: JCOMERC I 2011/07/25 REV 1	QUALITY SYMBOLS $\nabla F=0$ $\nabla F=0$ $\nabla F=3$	GENERAL TOLERANCES (UNLESS SPECIFIED) <table border="1"> <thead> <tr> <th></th> <th>mm</th> <th>INCH</th> </tr> </thead> <tbody> <tr> <td>4 PLACES</td> <td>±---</td> <td>±---</td> </tr> <tr> <td>3 PLACES</td> <td>±---</td> <td>±---</td> </tr> <tr> <td>2 PLACES</td> <td>±0.10</td> <td>±---</td> </tr> <tr> <td>1 PLACE</td> <td>±---</td> <td>±---</td> </tr> </tbody> </table>		mm	INCH	4 PLACES	±---	±---	3 PLACES	±---	±---	2 PLACES	±0.10	±---	1 PLACE	±---	±---	DIMENSION STYLE MM ONLY DRAWN BY: JGREGORI DATE: 2011/07/08 CHECKED BY: JCOMERC I DATE: 2011/07/25 APPROVED BY: JCOMERC I DATE: 2011/07/25 MATERIAL NO. 46720	SCALE: 2:1 DESIGN UNITS: METRIC THIRD ANGLE PROJECTION	TITLE: EDGELINE, 12.5 GPBS COEDGE CONN. 108 CKT MULTI CONN PCB LAYOUT MOLEX INCORPORATED DOCUMENT NO. SD-46720-0108 SHEET NO. 1 OF 2
		mm	INCH																	
	4 PLACES	±---	±---																	
	3 PLACES	±---	±---																	
2 PLACES	±0.10	±---																		
1 PLACE	±---	±---																		
DRAFT WHERE APPLICABLE MUST REMAIN WITHIN DIMENSIONS		SIZE B	THIS DRAWING CONTAINS INFORMATION THAT IS PROPRIETARY TO MOLEX INCORPORATED AND SHOULD NOT BE USED WITHOUT WRITTEN PERMISSION																	

PCB 2 LAYOUT (SECONDARY)

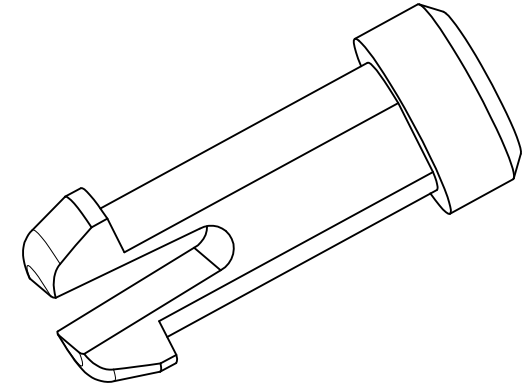
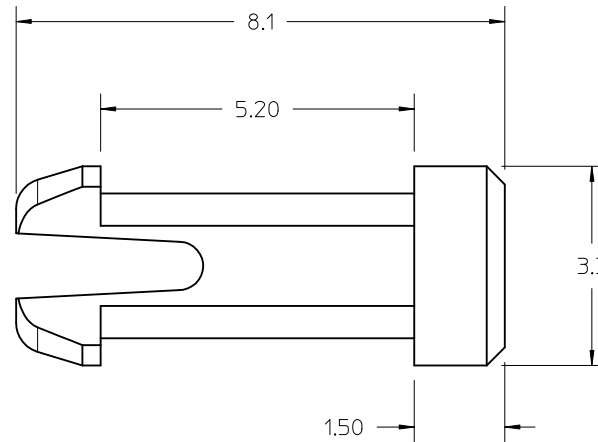
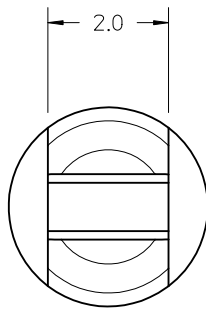
SEE DRAWING SD-46720-0000 FOR ALL PAD DETAILS NOT SHOWN



NOTE:

1. ALL CONNECTORS MUST BE MATED TO PCB 1 BEFORE TO PCB 2.

SEE SHEET 1 EC NO: UCP2012-0081 DRAWN: TGREGORI 2011/07/08 CHKD: JCOMERCI APPR: JCOMERCI 2011/07/25	QUALITY SYMBOLS	GENERAL TOLERANCES (UNLESS SPECIFIED)		DIMENSION STYLE MM ONLY		SCALE 2:1	DESIGN UNITS METRIC	THIRD ANGLE PROJECTION	
	$\nabla F=0$	mm	INCH	DRAWN BY TGREGORI	DATE 2011/07/08	TITLE EDGELINE, 12.5 GPBS COEDGE CONN. 108 CKT MULTI CONN PCB LAYOUT			
	$\nabla F=0$	4 PLACES ±---	±---	CHECKED BY	DATE				
	$\nabla F=3$	ANGULAR ±1/2°		APPROVED BY JCOMERCI	DATE 2011/07/25	MATERIAL NO. 46720		DOCUMENT NO. SD-46720-0108	
DRAFT WHERE APPLICABLE MUST REMAIN WITHIN DIMENSIONS			SIZE B	THIS DRAWING CONTAINS INFORMATION THAT IS PROPRIETARY TO MOLEX INCORPORATED AND SHOULD NOT BE USED WITHOUT WRITTEN PERMISSION					



NOTES:

1. MATERIAL: NYLON 6/6, UL94 V-0 (RMS-19)
COLOR: NATURAL
2. FOR USE WITH MOLEX EDGELINE COEDGE SERIES 46720.
3. RIVETS RECEIVED FROM MOLEX IN INDIVIDUAL PLASTIC BAGS WITH QUANTITY 1000 PCS
4. TO REMOVE RIVET FROM ASSEMBLY USE MOLEX REMOVAL TOOL NUMBER 638133502

REMOVED P/N 7711 EC NO: UCP2012-0083 DRWN: TGREGORI 2011/07/14 CH'KD: APPR: JCOMERCI 2011/09/13	QUALITY SYMBOLS 	GENERAL TOLERANCES (UNLESS SPECIFIED)		DIMENSION STYLE MM ONLY		SCALE 8:1	DESIGN UNITS METRIC	THIRD ANGLE PROJECTION		
			mm	INCH	DRAWN BY TGREGORI	DATE 2010/03/24	SNAP LOCK PIN EDGELINE COEDGE CONNECTOR			
		4 PLACES	± ---	± ---	CHECKED BY	DATE				
		3 PLACES	± ---	± ---	APPROVED BY JCOMERCI		DATE 2010/04/12	MOLEX INCORPORATED		
2 PLACES	± 0.13	± ---	MATERIAL NO. 46720-7710		DOCUMENT NO. SD-46720-7710	SHEET NO. 1 OF 1				
1 PLACE	± 0.25	± ---	ANGULAR ±1/2°		THIS DRAWING CONTAINS INFORMATION THAT IS PROPRIETARY TO MOLEX INCORPORATED AND SHOULD NOT BE USED WITHOUT WRITTEN PERMISSION					
DRAFT WHERE APPLICABLE MUST REMAIN WITHIN DIMENSIONS			SIZE A							

Компания «Океан Электроники» предлагает заключение долгосрочных отношений при поставках импортных электронных компонентов на взаимовыгодных условиях!

Наши преимущества:

- Поставка оригинальных импортных электронных компонентов напрямую с производств Америки, Европы и Азии, а так же с крупнейших складов мира;
- Широкая линейка поставок активных и пассивных импортных электронных компонентов (более 30 млн. наименований);
- Поставка сложных, дефицитных, либо снятых с производства позиций;
- Оперативные сроки поставки под заказ (от 5 рабочих дней);
- Экспресс доставка в любую точку России;
- Помощь Конструкторского Отдела и консультации квалифицированных инженеров;
- Техническая поддержка проекта, помощь в подборе аналогов, поставка прототипов;
- Поставка электронных компонентов под контролем ВП;
- Система менеджмента качества сертифицирована по Международному стандарту ISO 9001;
- При необходимости вся продукция военного и аэрокосмического назначения проходит испытания и сертификацию в лаборатории (по согласованию с заказчиком);
- Поставка специализированных компонентов военного и аэрокосмического уровня качества (Xilinx, Altera, Analog Devices, Intersil, Interpoint, Microsemi, Actel, Aeroflex, Peregrine, VPT, Syfer, Eurofarad, Texas Instruments, MS Kennedy, Miteq, Cobham, E2V, MA-COM, Hittite, Mini-Circuits, General Dynamics и др.);

Компания «Океан Электроники» является официальным дистрибьютором и эксклюзивным представителем в России одного из крупнейших производителей разъемов военного и аэрокосмического назначения «JONHON», а так же официальным дистрибьютором и эксклюзивным представителем в России производителя высокотехнологичных и надежных решений для передачи СВЧ сигналов «FORSTAR».



JONHON

«JONHON» (основан в 1970 г.)

Разъемы специального, военного и аэрокосмического назначения:

(Применяются в военной, авиационной, аэрокосмической, морской, железнодорожной, горно- и нефтедобывающей отраслях промышленности)

«FORSTAR» (основан в 1998 г.)

ВЧ соединители, коаксиальные кабели, кабельные сборки и микроволновые компоненты:

(Применяются в телекоммуникациях гражданского и специального назначения, в средствах связи, РЛС, а так же военной, авиационной и аэрокосмической отраслях промышленности).



Телефон: 8 (812) 309-75-97 (многоканальный)

Факс: 8 (812) 320-03-32

Электронная почта: ocean@oceanchips.ru

Web: <http://oceanchips.ru/>

Адрес: 198099, г. Санкт-Петербург, ул. Калинина, д. 2, корп. 4, лит. А