



+3.0V to +5.5V, 1 μ A, up to 250kbps, True RS-232 Transceiver with AutoShutdown Plus

MAX3238

General Description

The MAX3238 true RS-232 transceiver achieves a 1 μ A supply current with Maxim's revolutionary AutoShutdown Plus™ feature. When the device does not sense a valid signal transition on either the receiver or transmitter inputs within 30sec, the on-board power supply and drivers shut down. This occurs if the RS-232 cable is disconnected or if the transmitters of the connected peripheral are inactive. The system turns on again when a valid transition is applied to any RS-232 receiver or transmitter input, saving power without changes to the existing BIOS or operating system.

The MAX3238 5-driver/3-receiver complete serial port is a 3V-powered EIA/TIA-232 and V.28/V.24 communications interface intended for notebook or subnotebook computer applications. A proprietary, high-efficiency, dual charge-pump power supply and a low-dropout transmitter combine to deliver true RS-232 performance from a single +3.0V to +5.5V supply. A guaranteed data rate of 250kbps provides compatibility with popular software for communicating with personal computers. The MAX3238 requires only 0.1 μ F capacitors in 3.3V operation. It is ideal for 3.3V-only systems, mixed 3.3V and 5.0V systems, or 5V-only systems that require true RS-232 performance.

Receiver R1 has an extra, always-active output (in addition to its standard output), which allows external devices, such as a modem, to be monitored without forward biasing the protection diodes in circuitry that may have V_{CC} completely removed.

The MAX3238 is available in a space-saving SSOP package.

Applications

- Notebook, Subnotebook, and Palmtop Computers
- High-Speed Modems
- Battery-Powered Equipment
- Hand-Held Equipment
- Peripherals
- Printers

Typical Operating Circuit appears at end of data sheet.

AutoShutdown Plus is a trademark of Maxim Integrated Products.

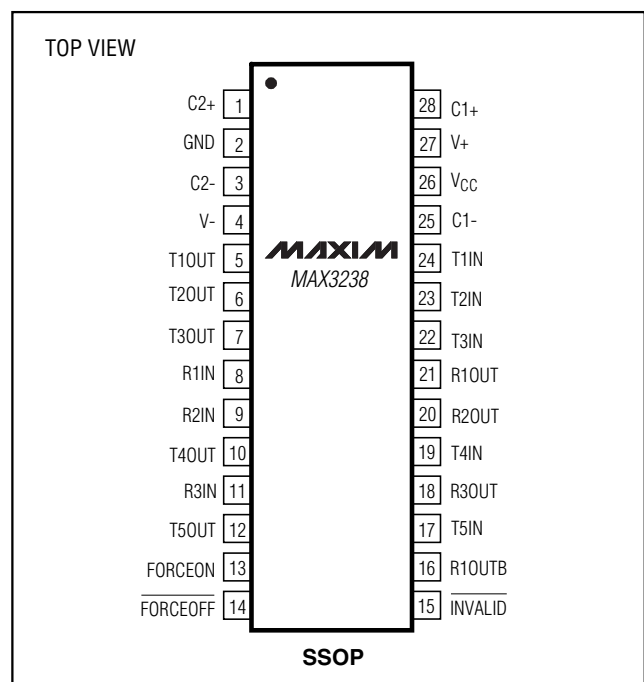
Features

- ◆ 1 μ A Supply Current Achieved with AutoShutdown Plus
- ◆ Guaranteed Data Rate: 250kbps
- ◆ 1 μ A Low-Power Shutdown
- ◆ Receivers Active in AutoShutdown Plus Mode
- ◆ Flow-Through Pinout
- ◆ Meets EIA/TIA-232 Specifications Down to 3.0V
- ◆ Guaranteed 6V/ μ s Slew Rate

Ordering Information

| PART | TEMP RANGE | PIN-PACKAGE |
|------------|----------------|-------------|
| MAX3238CAI | 0°C to +70°C | 28 SSOP |
| MAX3238EAI | -40°C to +85°C | 28 SSOP |

Pin Configuration



+3.0V to +5.5V, 1 μ A, up to 250kbps, True RS-232 Transceiver with AutoShutdown Plus

ABSOLUTE MAXIMUM RATINGS

| | | | |
|------------------------------|-----------------------------------|---|-----------------|
| V _{CC} | -0.3V to +6V | Short-Circuit Duration | |
| V+ (Note 1)..... | -0.3V to +7V | T_OUT (one at a time)..... | Continuous |
| V- (Note 1)..... | +0.3V to -7V | Continuous Power Dissipation (T _A = +70°C) | |
| V+ + IV-I (Note 1)..... | +13V | SSOP (derate 9.52mW/°C above +70°C)..... | 762mW |
| Input Voltages | | Operating Temperature Ranges | |
| T_IN, FORCEOFF, FORCEON..... | -0.3V to +6V | MAX3238CAI..... | 0°C to +70°C |
| R_IN..... | ±25V | MAX3238EAI..... | -40°C to +85°C |
| Output Voltages | | Storage Temperature Range..... | -65°C to +160°C |
| T_OUT..... | ±13.2V | Lead Temperature (soldering, 10s)..... | +300°C |
| R_OUT, INVALID..... | -0.3V to (V _{CC} + 0.3V) | | |

Note 1: V+ and V- can have a maximum magnitude of +7V, but their absolute difference can not exceed +13V.

Stresses beyond those listed under "Absolute Maximum Ratings" may cause permanent damage to the device. These are stress ratings only, and functional operation of the device at these or any other conditions beyond those indicated in the operational sections of the specifications is not implied. Exposure to absolute maximum rating conditions for extended periods may affect device reliability.

ELECTRICAL CHARACTERISTICS

(V_{CC} = +3.0V to +5.5V; C1–C4 = 0.1 μ F (tested at 3.3V \pm 5%), C1–C4 = 0.22 μ F (tested at 3.3V \pm 10%), C1 = 0.047 μ F and C2–C4 = 0.33 μ F (tested at 5.0V \pm 10%); T_A = T_{MIN} to T_{MAX}; unless otherwise noted. Typical values are at T_A = +25°C.)

| PARAMETER | CONDITIONS | MIN | TYP | MAX | UNITS |
|--|--|-----------------------|-----------------------|------|------------|
| DC CHARACTERISTICS | | | | | |
| Supply Current, AutoShutdown Plus | V _{CC} = 3.3V or 5.0V, T _A = +25°C, receivers idle, transmitters idle, FORCEON = GND, FORCEOFF = V _{CC} | | 1.0 | 10 | μ A |
| Supply Current, Shutdown | FORCEOFF = GND, T _A = +25°C | | 1.0 | 10 | μ A |
| Supply Current, AutoShutdown Plus Disabled | FORCEON = FORCEOFF = V _{CC} , no load | | 0.5 | 2.0 | mA |
| LOGIC INPUTS AND RECEIVER OUTPUTS | | | | | |
| Input Logic Threshold Low | T_IN, FORCEON, FORCEOFF | | | 0.8 | V |
| Input Logic Threshold High | V _{CC} = 3.3V | 2.0 | | | V |
| | V _{CC} = 5.0V | 2.4 | | | |
| Input Leakage Current | T_IN, FORCEON, FORCEOFF | | ±0.01 | ±1.0 | μ A |
| Output Leakage Current | Receivers disabled | | ±0.05 | ±10 | μ A |
| Output Voltage Low | I _{OUT} = 1.6mA | | | 0.4 | V |
| Output Voltage High | I _{OUT} = -1.0mA | V _{CC} - 0.6 | V _{CC} - 0.1 | | V |
| RECEIVER INPUTS | | | | | |
| Input Voltage Range | | -25 | | 25 | V |
| Input Threshold Low | V _{CC} = 3.3V | 0.6 | 1.2 | | V |
| | V _{CC} = 5.0V | 0.8 | 1.5 | | |
| Input Threshold High | V _{CC} = 3.3V | | 1.5 | 2.4 | V |
| | V _{CC} = 5.0V | | 1.8 | 2.4 | |
| Input Hysteresis | | | 0.3 | | V |
| Input Resistance | T _A = +25°C | 3 | 5 | 7 | k Ω |

+3.0V to +5.5V, 1μA, up to 250kbps, True RS-232 Transceiver with AutoShutdown Plus

MAX3238

ELECTRICAL CHARACTERISTICS (continued)

(V_{CC} = +3.0V to +5.5V; C1–C4 = 0.1μF (tested at 3.3V ±5%), C1–C4 = 0.22μF (tested at 3.3V ±10%), C1 = 0.047μF and C2–C4 = 0.33μF (tested at 5.0V ±10%); T_A = T_{MIN} to T_{MAX}; unless otherwise noted. Typical values are at T_A = +25°C.)

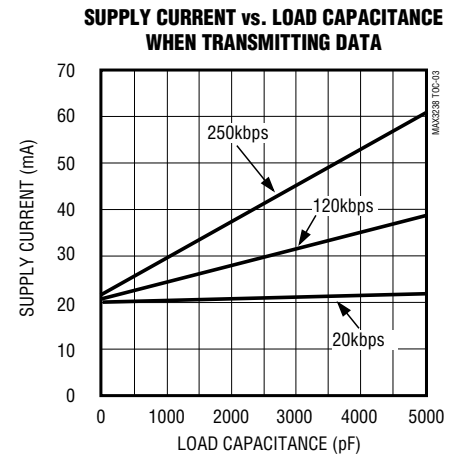
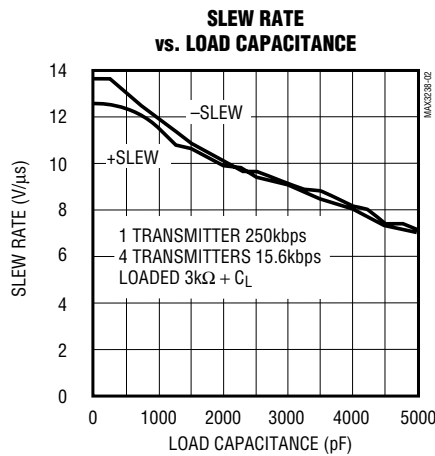
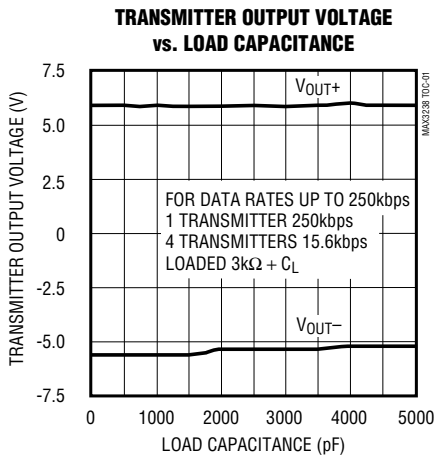
| PARAMETER | CONDITIONS | | MIN | TYP | MAX | UNITS |
|--|--|----------------------------------|-----------------------|------|------|-------|
| AutoShutdown (FORCEON = GND, FORCEOFF = V _{CC}) | | | | | | |
| Receiver Input Threshold to $\overline{\text{INVALID}}$ Output High | Figure 7a | Positive threshold | | | 2.7 | V |
| | | Negative threshold | -2.7 | | | |
| Receiver Input Threshold to $\overline{\text{INVALID}}$ Output Low | Figure 4a | | -0.3 | | 0.3 | V |
| $\overline{\text{INVALID}}$ Output Voltage Low | I _{OUT} = 1.6mA | | | | 0.4 | V |
| $\overline{\text{INVALID}}$ Output Voltage High | I _{OUT} = -1.0mA | | V _{CC} - 0.6 | | | V |
| Receiver Positive or Negative Threshold to $\overline{\text{INVALID}}$ High (t _{INVH}) | V _{CC} = 5V, Figure 4b | | | 0.1 | | μs |
| Receiver Positive or Negative Threshold to $\overline{\text{INVALID}}$ Low (t _{INVL}) | V _{CC} = 5V, Figure 4b | | | 50 | | μs |
| Receiver or Transmitter Edge to Transmitters Enabled (t _{WU}) | V _{CC} = 5V, Figure 4b (Note 2) | | | 25 | | μs |
| Receiver or Transmitter Edge to Shutdown (t _{AUTOSHDN}) | Figure 4b (Note 2) | | 15 | 30 | 60 | sec |
| TRANSMITTER OUTPUTS | | | | | | |
| Output Voltage Swing | All transmitter outputs loaded with 3kΩ to ground | | ±5.0 | ±5.4 | | V |
| Output Resistance | V _{CC} = V ₊ = V ₋ = GND, T _{OUT} = 2V | | 300 | 10M | | Ω |
| Output Short-Circuit Current | V _{CC} ≤ 3.6V | | | ±35 | ±60 | mA |
| | V _{CC} > 3.6V | | | ±40 | ±100 | |
| Output Leakage Current | V _{OUT} = ±12V, V _{CC} = 0V to 5.5V, transmitters disabled | | | | ±25 | μA |
| TIMING CHARACTERISTICS | | | | | | |
| Maximum Data Rate | R _L = 3kΩ, C _L = 1000pF, one transmitter switching | | 250 | | | kbps |
| Receiver Propagation Delay | R _{IN} to R _{OUT} , C _L = 150pF | t _{PHL} | 0.15 | | | μs |
| | | t _{PLH} | 0.15 | | | |
| Receiver Output Enable Time | Normal operation | | 200 | | | ns |
| Receiver Output Disable Time | Normal operation | | 200 | | | ns |
| Transmitter Skew | t _{PHL} - t _{PLH} | | 100 | | | ns |
| Receiver Skew | t _{PHL} - t _{PLH} | | 50 | | | ns |
| Transition-Region Slew Rate | V _{CC} = 3.3V, T _A = +25°C, R _L = 3Ω to 7kΩ, measured from +3V to -3V or -3V to +3V | C _L = 150pF to 1000pF | 6 | | 30 | V/μs |
| | | C _L = 150pF to 2500pF | 4 | | 30 | |

Note 2: A transmitter/receiver edge is defined as a transition through the transmitter/receiver input logic thresholds.

+3.0V to +5.5V, 1 μ A, up to 250kbps, True RS-232 Transceiver with AutoShutdown Plus

Typical Operating Characteristics

($V_{CC} = +3.3V$, 250kbps data rate, 0.1 μ F capacitors, all transmitters loaded with 3k Ω , $T_A = +25^\circ C$, unless otherwise noted.)



Pin Description

| PIN | NAME | FUNCTION |
|--------------------|-----------------|---|
| 1 | C2+ | Positive Terminal of Inverting Charge-Pump Capacitor |
| 2 | GND | Ground |
| 3 | C2- | Negative Terminal of Inverting Charge-Pump Capacitor |
| 4 | V- | -5.5V Generated by the Charge Pump |
| 5, 6, 7, 10, 12 | T_OUT | RS-232 Transmitter Outputs (T1OUT–T5OUT) |
| 8, 9, 11 | R_IN | RS-232 Receiver Inputs (R1IN–R3IN) |
| 13 | FORCEON | Force-Off Input. Drive high to override AutoShutdown Plus, keeping transmitters and receivers on (FORCEOFF must be high) (Table 1). |
| 14 | FORCEOFF | Force-Off Input. Drive low to shut down transmitters, receivers (except R1OUTB), and on-board supply. This overrides AutoShutdown Plus and FORCEON (Table 1). |
| 15 | INVALID | Output of the Valid Signal Detector. A logic “1” indicates if a valid RS-232 level is present on receiver inputs. |
| 16 | R1OUTB | Noninverting Complementary Receiver Output. Always active. |
| 17, 19, 22, 23, 24 | T_IN | TTL/CMOS Transmitter Inputs (T5IN–T1IN) |
| 18, 20, 21 | R_OUT | TTL/CMOS Receiver Outputs (R3OUT–R1OUT) |
| 25 | C1- | Negative Terminal of Voltage-Doubler Charge-Pump Capacitor |
| 26 | V _{CC} | +3.0V to +5.5V Supply Voltage |
| 27 | V+ | +5.5V Generated by the Charge Pump |
| 28 | C1+ | Positive Terminal of Voltage-Doubler Charge-Pump Capacitor |

+3.0V to +5.5V, 1 μ A, up to 250kbps, True RS-232 Transceiver with AutoShutdown Plus

MAX3238

Table 1. Output Control Truth Table

| FORCEON | $\overline{\text{FORCEOFF}}$ | AUTOSHUTDOWN PLUS* | OPERATION STATUS | T_OUT | R_OUT | R1OUTB |
|---------|------------------------------|--------------------|--------------------------------------|--------|--------|--------|
| X | 0 | X | Shutdown (Forced Off) | High-Z | High-Z | Active |
| 1 | 1 | X | Normal Operation (Forced On) | Active | Active | Active |
| 0 | 1 | <30sec* | Normal Operation (AutoShutdown Plus) | Active | Active | Active |
| 0 | 1 | >30sec* | Shutdown (AutoShutdown Plus) | High-Z | Active | Active |

X = Don't Care

*Time since last receiver or transmitter input transition.

Detailed Description

Dual Charge-Pump Voltage Converter

The MAX3238's internal power supply consists of a regulated dual charge pump that provides output voltages of +5.5V (doubling charge pump) and -5.5V (inverting charge pump), regardless of the input voltage (V_{CC}) over the 3.0V to 5.5V range. The charge pumps operate in a discontinuous mode: if the output voltages are less than 5.5V, the charge pumps are enabled; if the output voltages exceed 5.5V, the charge pumps are disabled. Each charge pump requires a flying capacitor (C1, C2) and a reservoir capacitor (C3, C4) to generate the $V+$ and $V-$ supplies.

RS-232 Transmitters

The transmitters are inverting level translators that convert CMOS-logic levels to 5.0V EIA/TIA-232 levels. The MAX3238 transmitters guarantee a 250kbps data rate with worst-case loads of 3k Ω in parallel with 1000pF, providing compatibility with PC-to-PC communication software (such as LapLink™). Transmitters can be paralleled to drive multiple receivers. Figure 1 shows a complete system connection.

When $\overline{\text{FORCEOFF}}$ is driven to ground, the transmitters and receivers are disabled and the outputs go high impedance, except for R1OUTB. When the Auto-Shutdown Plus circuitry senses that all receiver and transmitter inputs are inactive for more than 30sec, the transmitters are disabled and the outputs go into a high-impedance state, but the receivers remain active. When the power is off, the MAX3238 permits the outputs to be driven up to $\pm 12V$.

The transmitter inputs do not have pull-up resistors. Connect unused inputs to GND or V_{CC} .

RS-232 Receivers

The receivers convert RS-232 signals to CMOS-logic output levels. All receivers have inverting three-state outputs and are inactive in shutdown ($\overline{\text{FORCEOFF}}$) (Table 1). The MAX3238 also features an extra, always-active noninverting output, R1OUTB. This extra output monitors receiver activity while the other receivers are high impedance, allowing Ring Indicator to be monitored without forward biasing other devices connected to the receiver outputs. This is ideal for systems where V_{CC} is set to 0V in shutdown to accommodate peripherals, such as UARTs (Figure 2).

LapLink is a trademark of Traveling Software.

+3.0V to +5.5V, 1 μ A, up to 250kbps, True RS-232 Transceiver with AutoShutdown Plus

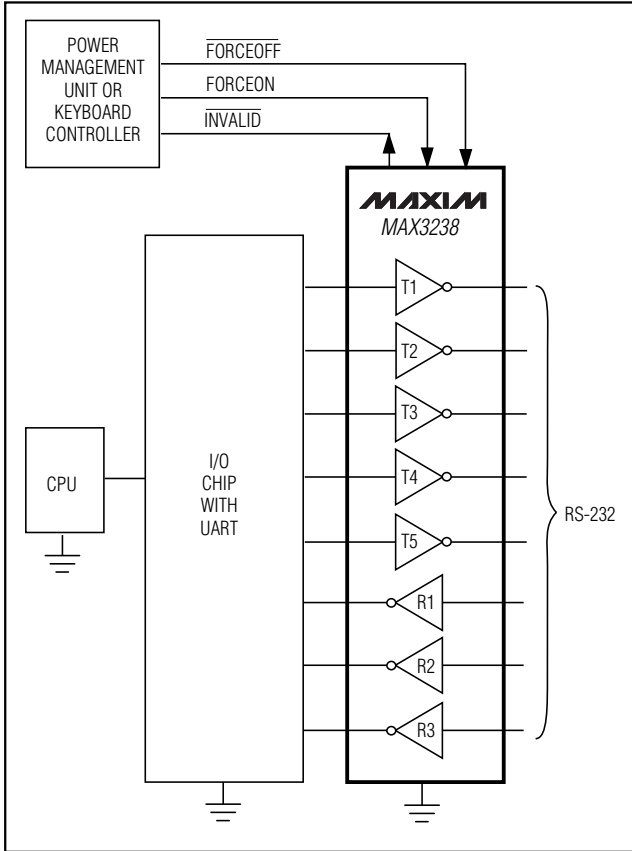


Figure 1. Interface Under Control of PMU

AutoShutdown Plus Mode

1 μ A supply current is achieved with Maxim's AutoShutdown Plus feature, which operates when $\overline{\text{FORCEOFF}}$ is high and FORCEON is low. When the MAX3238 senses no valid signal transitions on all receiver and transmitter inputs for 30sec, the on-board power supply and drivers are shut off, reducing supply current to 1 μ A. This occurs if the RS-232 cable is disconnected or if the connected peripheral transmitters are turned off. The system turns on again when a valid transition is applied to any RS-232 receiver or transmitter input. As a result, the system saves power without changes to the existing BIOS or operating system. The $\overline{\text{INVALID}}$ output is high when the receivers are active. Since $\overline{\text{INVALID}}$ indicates the receiver inputs' condition, it can be used in any mode (Figure 3).

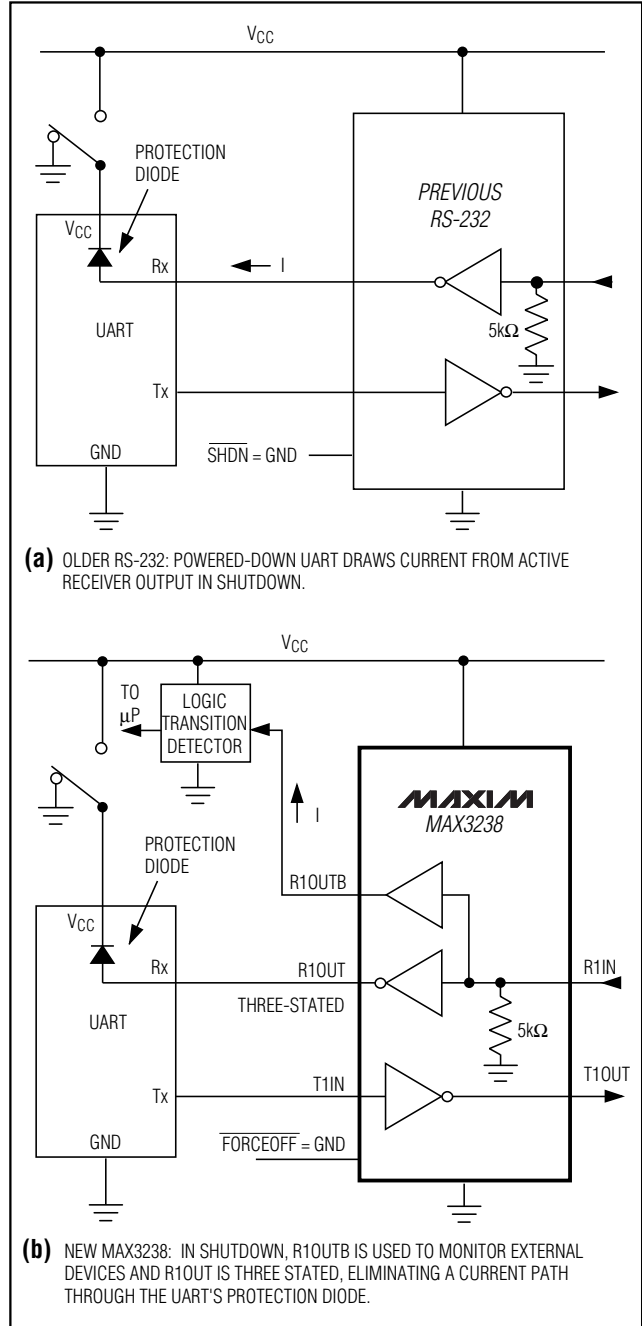


Figure 2. The MAX3238 detects RS-232 activity when the UART and interface are shut down.

+3.0V to +5.5V, 1μA, up to 250kbps, True RS-232 Transceiver with AutoShutdown Plus

MAX3238

Table 2. $\overline{\text{INVALID}}$ Truth Table

| RS-232 SIGNAL PRESENT AT ANY RECEIVER INPUT | $\overline{\text{INVALID}}$ OUTPUT |
|---|------------------------------------|
| Yes | H |
| No | L |

Tables 1 and 2 and Figure 3 summarize the MAX3238's operating modes. $\overline{\text{FORCEON}}$ and $\overline{\text{FORCEOFF}}$ override the automatic circuitry and force the transceiver into its normal operating state or into its low-power standby state. When neither control is asserted, the IC enters AutoShutdown Plus mode and selects between these states automatically, based on the last receiver or transmitter input edge received.

When shut down, the device's charge pumps turn off, V_+ decays to V_{CC} , V_- decays to ground, and the transmitter outputs are disabled (high impedance). The time required to exit shutdown is typically 25μs (Figure 4b).

Software-Controlled Shutdown

If direct software control is desired, use $\overline{\text{INVALID}}$ to indicate DTR or Ring Indicator signal. Tie $\overline{\text{FORCEOFF}}$ and $\overline{\text{FORCEON}}$ together to bypass the AutoShutdown feature so the line acts like a $\overline{\text{SHDN}}$ input.

Applications Information

Capacitor Selection

The capacitor type used for C1–C4 is not critical for proper operation; polarized or nonpolarized capacitors can be used. The charge pump requires 0.1μF capacitors for 3.3V operation. For other supply voltages, see Table 3 for required capacitor values. Do not use values smaller than those listed in Table 3. Increasing the capacitor values (e.g., by a factor of 2) reduces ripple on the transmitter outputs and slightly reduces power consumption. C2, C3, and C4 can be increased without changing C1's value. However, **do not increase C1 without also increasing the values of C2, C3, C4, and CBYPASS**, to maintain the proper ratios (C1 to the other capacitors).

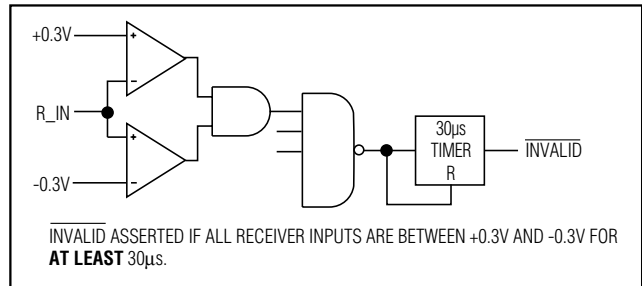


Figure 3a. $\overline{\text{INVALID}}$ Functional Diagram, $\overline{\text{INVALID}}$ Low

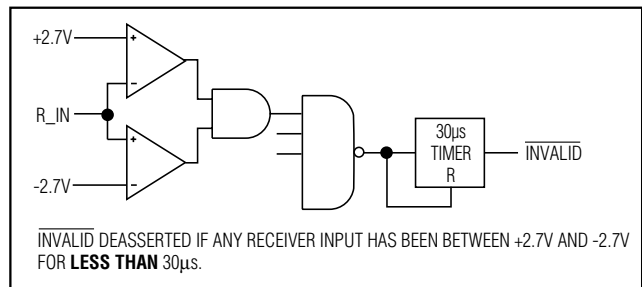


Figure 3b. $\overline{\text{INVALID}}$ Functional Diagram, $\overline{\text{INVALID}}$ High

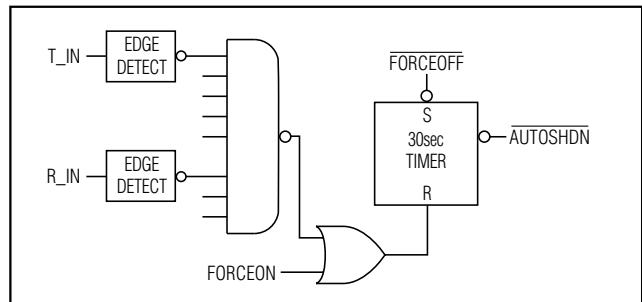


Figure 3c. AutoShutdown Plus Logic

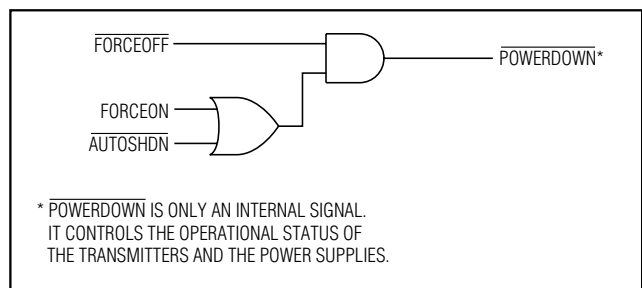


Figure 3d. Power-Down Logic

+3.0V to +5.5V, 1μA, up to 250kbps, True RS-232 Transceiver with AutoShutdown Plus

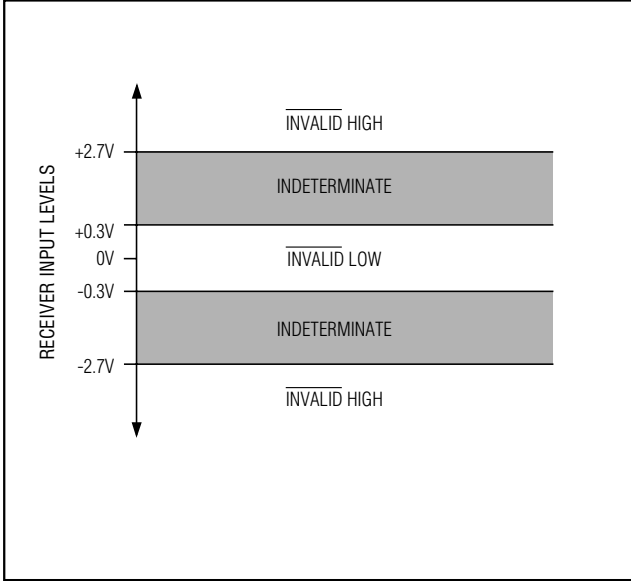


Figure 4a. Receiver Positive/Negative Thresholds for $\overline{\text{INVALID}}$

When using the minimum required capacitor values, make sure the capacitor value does not degrade excessively with temperature. If in doubt, use capacitors with a larger nominal value. The capacitor's equivalent series resistance (ESR), which usually rises at low temperatures, influences the amount of ripple on V_+ and V_- .

Table 3. Required Minimum Capacitance Values

| V_{CC} (V) | C1 (μF) | C2, C3, C4, CBYPASS (μF) |
|--------------|----------------------|---------------------------------------|
| 3.0 to 3.6 | 0.22 | 0.22 |
| 3.15 to 3.6 | 0.1 | 0.1 |
| 4.5 to 5.5 | 0.047 | 0.33 |
| 3.0 to 5.5 | 0.22 | 1 |

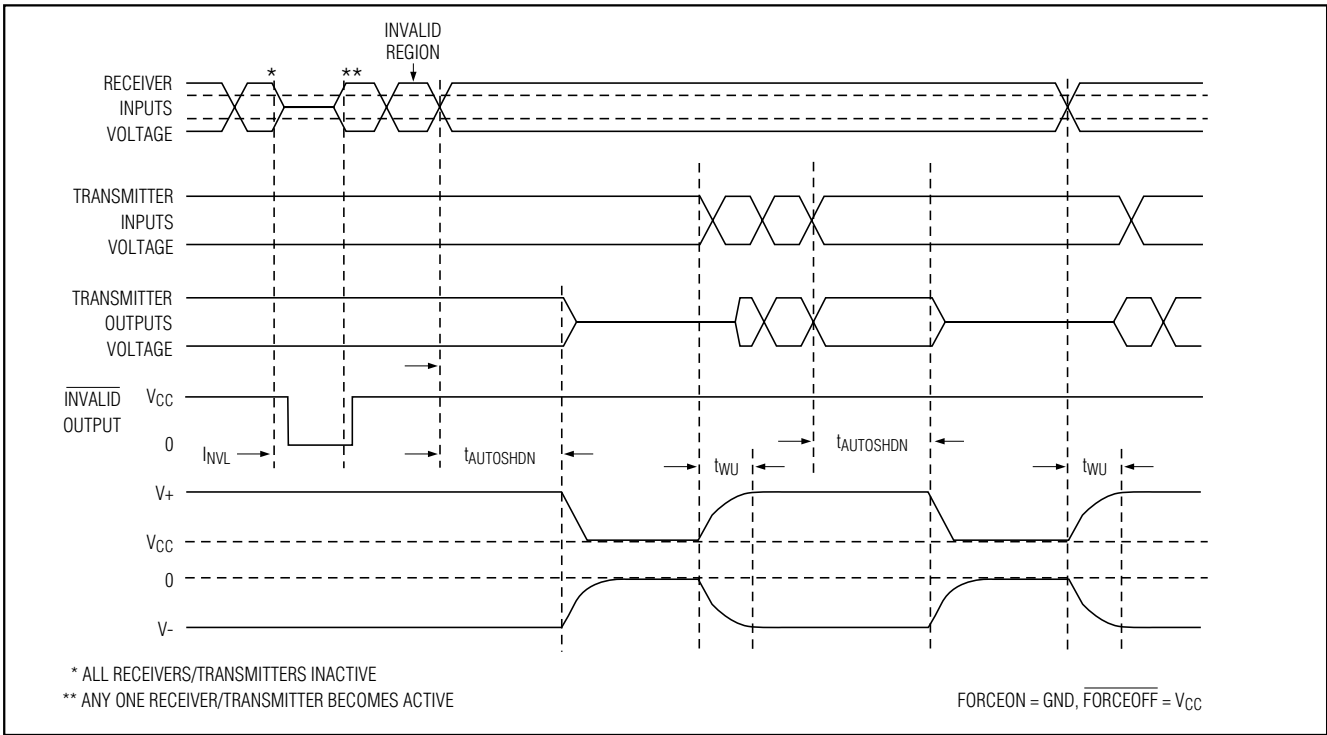


Figure 4b. AutoShutdown Plus and $\overline{\text{INVALID}}$ Timing Diagram

+3.0V to +5.5V, 1 μ A, up to 250kbps, True RS-232 Transceiver with AutoShutdown Plus

Power-Supply Decoupling

In applications that are sensitive to power-supply noise, decouple V_{CC} to ground with a capacitor of the same value as capacitors C2, C3, and C4. Connect the bypass capacitor as close to the IC as possible.

Transmitter Outputs when Exiting Shutdown

Figure 5 shows two transmitter outputs when exiting shutdown mode. As they become active, the outputs are shown going to opposite RS-232 levels (one transmitter input is high, the other is low). Each transmitter is loaded with 3k Ω in parallel with 2500pF. The transmitter outputs display no ringing or undesirable transients as they come out of shutdown. Note that the transmitters are enabled only when the magnitude of V₋ exceeds approximately 3V.

High Data Rates

The MAX3238 maintains the RS-232 $\pm 5.0V$ minimum transmitter output voltage even at high data rates. Figure 6 shows a transmitter loopback test circuit. Figure 7 shows a loopback test result at 120kbps, and Figure 8 shows the same test at 250kbps. For Figure 7, all transmitters were driven simultaneously at 120kbps into RS-232 loads in parallel with 1000pF. For Figure 8, a single transmitter was driven at 250kbps, and all transmitters were loaded with an RS-232 receiver in parallel with 1000pF.

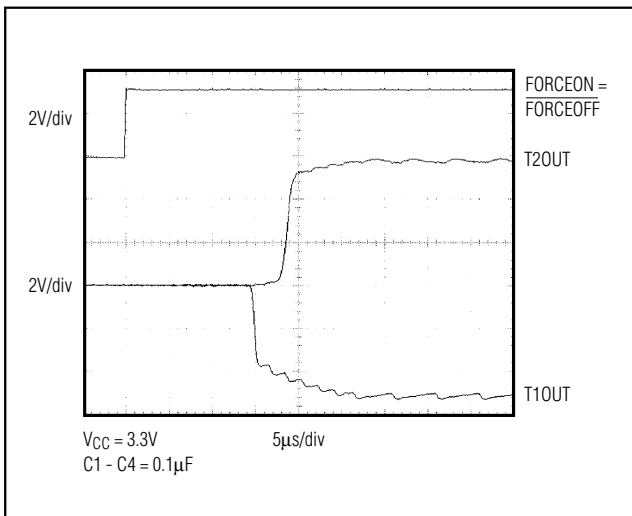


Figure 5. Transmitter Outputs when Exiting Shutdown or Powering Up

Interconnection with 3V and 5V Logic

The MAX3238 can directly interface with various 5V-logic families, including ACT and HCT CMOS. See Table 4 for more information on possible combinations of interconnections.

Table 4. Logic Family Compatibility with Various Supply Voltages

| SYSTEM POWER-SUPPLY VOLTAGE (V) | V _{CC} SUPPLY VOLTAGE (V) | COMPATIBILITY |
|---------------------------------|------------------------------------|--|
| 3.3 | 3.3 | Compatible with all CMOS families. |
| 5 | 5 | Compatible with all TTL and CMOS families. |
| 5 | 3.3 | Compatible with ACT and HCT CMOS, and with AC, HC, or CD4000 CMOS. |

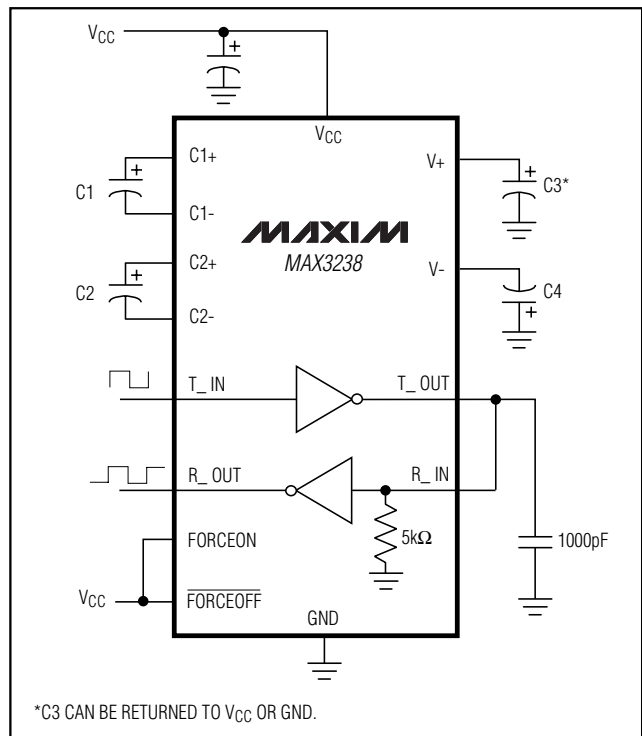


Figure 6. Loopback Test Circuit

+3.0V to +5.5V, 1 μ A, up to 250kbps, True RS-232 Transceiver with AutoShutdown Plus

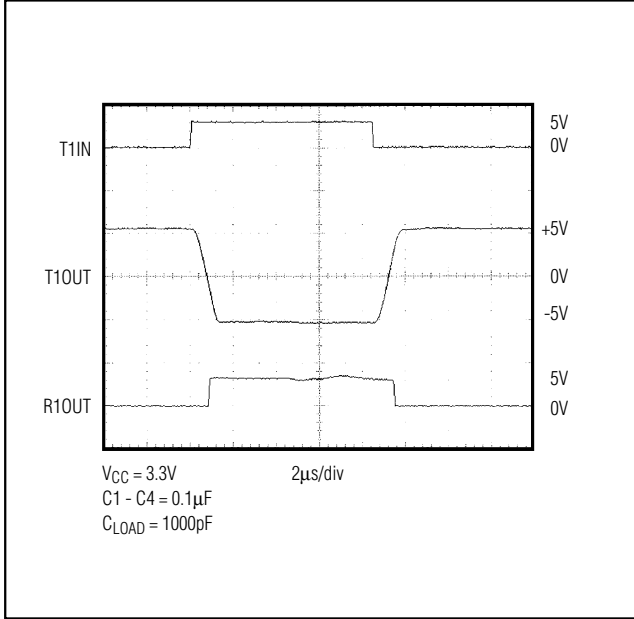


Figure 7. Loopback Test Result at 120kbps

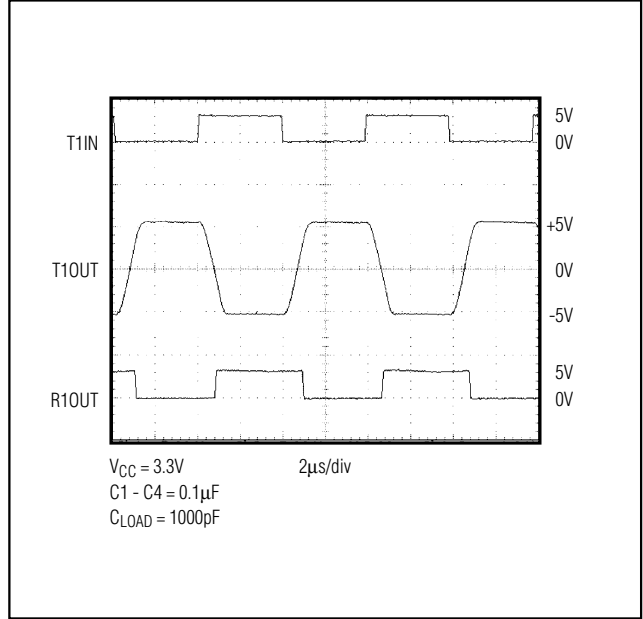


Figure 8. Loopback Test Result at 250kbps

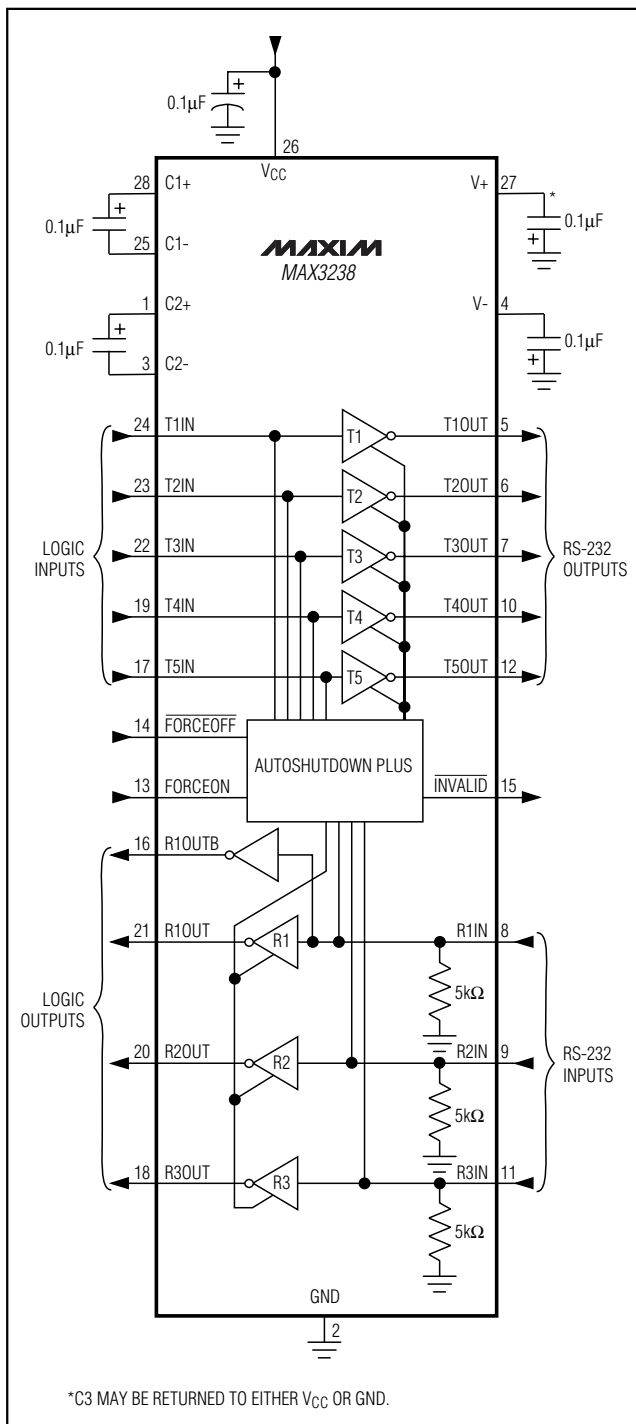
Chip Information

TRANSISTOR COUNT: 1404

+3.0V to +5.5V, 1 μ A, up to 250kbps, True RS-232 Transceiver with AutoShutdown Plus

Typical Operating Circuit

MAX3238



+3.0V to +5.5V, 1 μ A, up to 250kbps, True RS-232 Transceiver with AutoShutdown Plus

Package Information

(The package drawing(s) in this data sheet may not reflect the most current specifications. For the latest package outline information, go to www.maxim-ic.com/packages.)

**SSOP
SHRINK
SMALL-OUTLINE
PACKAGE**

| DIM | INCHES | | MILLIMETERS | |
|----------|----------------|-------|-------------|------|
| | MIN | MAX | MIN | MAX |
| A | 0.068 | 0.078 | 1.73 | 1.99 |
| A1 | 0.002 | 0.008 | 0.05 | 0.21 |
| B | 0.010 | 0.015 | 0.25 | 0.38 |
| C | 0.004 | 0.008 | 0.09 | 0.20 |
| D | SEE VARIATIONS | | | |
| E | 0.205 | 0.209 | 5.20 | 5.38 |
| e | 0.0256 BSC | | 0.65 BSC | |
| H | 0.301 | 0.311 | 7.65 | 7.90 |
| L | 0.025 | 0.037 | 0.63 | 0.95 |
| α | 0° | 8° | 0° | 8° |

| DIM | PINS | INCHES | | MILLIMETERS | |
|-----|------|--------|-------|-------------|-------|
| | | MIN | MAX | MIN | MAX |
| D | 14 | 0.239 | 0.249 | 6.07 | 6.33 |
| D | 16 | 0.239 | 0.249 | 6.07 | 6.33 |
| D | 20 | 0.278 | 0.289 | 7.07 | 7.33 |
| D | 24 | 0.317 | 0.328 | 8.07 | 8.33 |
| D | 28 | 0.397 | 0.407 | 10.07 | 10.33 |

21-0056A

Maxim cannot assume responsibility for use of any circuitry other than circuitry entirely embodied in a Maxim product. No circuit patent licenses are implied. Maxim reserves the right to change the circuitry and specifications without notice at any time.

12 _____ **Maxim Integrated Products, 120 San Gabriel Drive, Sunnyvale, CA 94086 (408) 737-7600**

Компания «Океан Электроники» предлагает заключение долгосрочных отношений при поставках импортных электронных компонентов на взаимовыгодных условиях!

Наши преимущества:

- Поставка оригинальных импортных электронных компонентов напрямую с производств Америки, Европы и Азии, а так же с крупнейших складов мира;
- Широкая линейка поставок активных и пассивных импортных электронных компонентов (более 30 млн. наименований);
- Поставка сложных, дефицитных, либо снятых с производства позиций;
- Оперативные сроки поставки под заказ (от 5 рабочих дней);
- Экспресс доставка в любую точку России;
- Помощь Конструкторского Отдела и консультации квалифицированных инженеров;
- Техническая поддержка проекта, помощь в подборе аналогов, поставка прототипов;
- Поставка электронных компонентов под контролем ВП;
- Система менеджмента качества сертифицирована по Международному стандарту ISO 9001;
- При необходимости вся продукция военного и аэрокосмического назначения проходит испытания и сертификацию в лаборатории (по согласованию с заказчиком);
- Поставка специализированных компонентов военного и аэрокосмического уровня качества (Xilinx, Altera, Analog Devices, Intersil, Interpoint, Microsemi, Actel, Aeroflex, Peregrine, VPT, Syfer, Eurofarad, Texas Instruments, MS Kennedy, Miteq, Cobham, E2V, MA-COM, Hittite, Mini-Circuits, General Dynamics и др.);

Компания «Океан Электроники» является официальным дистрибьютором и эксклюзивным представителем в России одного из крупнейших производителей разъемов военного и аэрокосмического назначения «JONHON», а так же официальным дистрибьютором и эксклюзивным представителем в России производителя высокотехнологичных и надежных решений для передачи СВЧ сигналов «FORSTAR».



JONHON

«JONHON» (основан в 1970 г.)

Разъемы специального, военного и аэрокосмического назначения:

(Применяются в военной, авиационной, аэрокосмической, морской, железнодорожной, горно- и нефтедобывающей отраслях промышленности)

«FORSTAR» (основан в 1998 г.)

ВЧ соединители, коаксиальные кабели, кабельные сборки и микроволновые компоненты:

(Применяются в телекоммуникациях гражданского и специального назначения, в средствах связи, РЛС, а так же военной, авиационной и аэрокосмической отраслях промышленности).



Телефон: 8 (812) 309-75-97 (многоканальный)

Факс: 8 (812) 320-03-32

Электронная почта: ocean@oceanchips.ru

Web: <http://oceanchips.ru/>

Адрес: 198099, г. Санкт-Петербург, ул. Калинина, д. 2, корп. 4, лит. А