

4

3

2

1

THIS DRAWING IS UNPUBLISHED.

RELEASED FOR PUBLICATION

© COPYRIGHT BY TYCO ELECTRONICS CORPORATION. ALL RIGHTS RESERVED.

LOC
E
DIST
B

REVISIONS

P	LTR	DESCRIPTION	DATE	DWN	APVD
C1		ECR-10-013553	26JUN10	KK	HMR

350.2(13.787)
349.8(13.771)

405(15.940)
395(15.556)

165.20(6.509)
164.80(6.493)

165.20(6.509)
164.80(6.493)

10.20(4.02)
9.60(3.86)

5.0(0.197)
4.4(0.181)
(6 OFF)

15.2(0.599)
14.8(0.583)
13.2(0.520)
12.8(0.504)

1.7(0.067)
1.3(0.051)

END SEAL
(SEE NOTE 3)

6.20(2.44)
5.80(2.29)
60.20(2.372)
59.80(2.356)
72.30(2.849)
71.70(2.825)

50.2(1.976)
49.8(1.961)

10.20(4.02)
9.80(3.86)

R 1.2(0.047)
0.8(0.031)
TYP

16-14 AWG (STRANDED) A/R (SEE NOTE 4)

C-34123 (2 OFF)
AMP TERMINAL RING

TJH1000 FROM RAW EXTRUSION FROM TE
PART NUMBER 0-1676489-1

SPECIFICATION TABLE

TE PART NO. - 0-1630955-1

POWER RATING	600W
POWER RATING 600W FOR A MAXIMUM CASE SURFACE TEMPERATURE OF 150 C	
RESISTANCE	5 Ohms
STANDARD TOLERANCE	+/- 10 %
INSULATION VOLTAGE ACrms	2.5KV
INSULATION RESISTANCE GOhm	>90
SERIES INDUCTANCE uH	6.5
OPERATING TEMPERATURE RANGE	-60 C TO +150 C
HEAT SINK RATING	0.38 C/W

NOTES:

- FINISH: EXTRUSION TO BE CLEAN AND DEBURRED
EXTRUSION TO BE ANODISED NATURAL CLEAR 9um +/- 1um
- INTERNAL FILLER FORTAFIX CEMENT
- END SEAL: BOTH ENDS TO BE SEALED WITH DOW CORNING 736 SEALANT
- WIRE: 32/0.2mm SILICONE COATED NICKEL COATED COPPER WIRE

MANUFACTURER: TE

ORDERING PROCEDURE:

QUOTE GOODRICH REFERENCE NUMBER, CURRENT ISSUE OF DRAWING
86603341, CURRENT ISSUE OF DRAWING

THIS ITEM IS FOR AEROSPACE APPLICATION AND IS SUBJECT TO TYPE APPROVAL. TESTING NO CHANGE TO ITEMS SUPPLIED TO THIS DESIGN STANDARD IS PERMITTED EXCEPT AS AUTHORIZED BY "GOODRICH CONTROL SYSTEMS LIMITED - ENGINE CONTROL SYSTEMS". ITEMS MAY BE PURCHASED EITHER FROM THE MANUFACTURER OR THEIR APPROVED AGENTS, BUT IN ALL CASES ALTERNATIVE MANUFACTURERS TO THOSE LISTED UNDER THE GOODRICH CONTROL SYSTEMS LIMITED - ENGINE CONTROL SYSTEMS PART NO. ARE NOT PERMITTED

Schedule

TE Part No.	Description	Customer Part No.
0-1630955-1	TJH1000 BRAKE RESISTOR (5 Ohms) 400mm Leads	090915-01

NOTE:

1

OBSOLETE

THIS DRAWING IS A CONTROLLED DOCUMENT.

DIMENSIONS:
MM

MATERIAL

TOLERANCES UNLESS
OTHERWISE SPECIFIED:

0 PLC	± -
1 PLC	± 0.2
2 PLC	± -
3 PLC	± -
4 PLC	± -
ANGLES	± -
FINISH	-

DWN 05-09-03

Chris Bolle

CHK 05-09-03

Chris Bolle

APVD 05-09-03

Jonathan Catchpole

PRODUCT SPEC

APPLICATION SPEC

WEIGHT -

CUSTOMER DRAWING

05-09-03

Tyco Electronics Corporation
Dorcan, Swindon, GB

NAME

TJH1000 BRAKE RESISTOR

SIZE

CAGE CODE

DRAWING NO

RESTRICTED TO

A3

00779

C-1630955

SCALE 1:1

SHEET 1 OF 3

REV C1

AMP 1470-19 REV 31MAR2000

THIS DRAWING IS UNPUBLISHED.

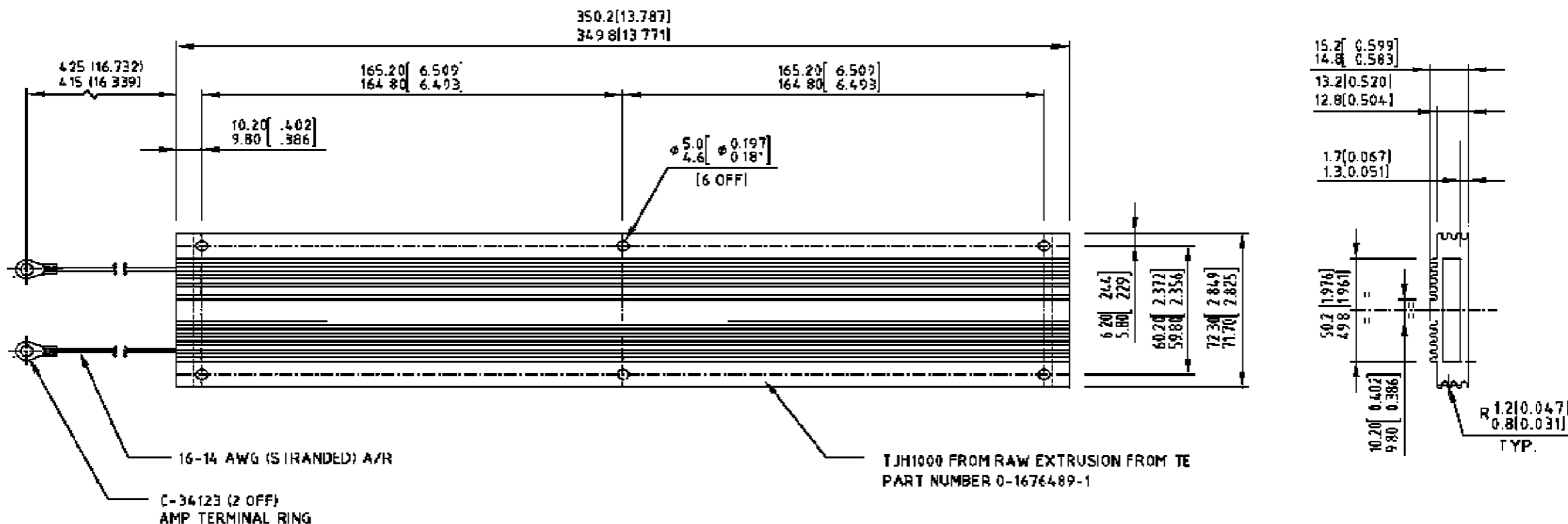
RELEASED FOR PUBLICATION

© COPYRIGHT BY TYCO ELECTRONICS CORPORATION. ALL RIGHTS RESERVED.

LOC E DIST B

REVISIONS

P	LTR	DESCRIPTION	DATE	OWN	APVD
	-	SEE SHEET 1	-	-	-



SPECIFICATION TABLE

TE PART No. : 0-1630955-2

POWER RATING	600W
POWER RATING 600W FOR A MAXIMUM CASE SURFACE TEMP RISE OF 150 C	
RESISTANCE	10 Ohms
STANDARD TOLERANCE	+/- 10 %
INSULATION VOLTAGE ACrms	2.5KV
INSULATION RESISTANCE GOhm	>90
SERIES INDUCTANCE uH	6.5
OPERATING TEMPERATURE RANGE	-60 C TO +150 C
HEAT SINK RATING	0.38 C/W

NOTES

- FINISH : EXTRUSION TO BE CLEAN AND DEBURRED
EXTRUSION TO BE ANODISED NATURAL CLEAR 9um +/- 1um
- INTERNAL FILLER FORTAFIX CEMENT.
- END SEAL : BOTH ENDS TO BE SEALED WITH DOW CORNING 736 SEALANT
- WIRE : 32/0.2mm SILICONE COATED NICKEL COATED COPPER WIRE.

MANUFACTURER - TE

ORDERING PROCEDURE :

QUOTE GOODRICH REFERENCE NUMBER, CURRENT ISSUE OF DRAWING 86603352, CURRENT ISSUE OF DRAWING

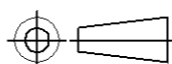
THIS ITEM IS FOR AEROSPACE APPLICATION AND IS SUBJECT TO TYPE APPROVAL TESTING. NO CHANGE TO ITEMS SUPPLIED TO THIS DESIGN STANDARD IS PERMITTED EXCEPT AS AUTHORIZED BY "GOODRICH CONTROL SYSTEMS LIMITED - ENGINE CONTROL SYSTEMS". ITEMS MAY BE PURCHASED EITHER FROM THE MANUFACTURER OR THEIR APPROVED AGENT'S, BUT IN ALL CASES ALTERNATIVE MANUFACTURERS TO THOSE LISTED UNDER THE GOODRICH CONTROL SYSTEMS LIMITED - ENGINE CONTROL SYSTEMS PART No. ARE NOT PERMITTED.

Schedule

TE Part No.	Description	Customer Part No.
0-1630955-2	TJH1000 BRAKE RESISTOR (10 Ohms) 420mm Leads	86603352

THIS DRAWING IS A CONTROLLED DOCUMENT.

DIMENSIONS: MM



MATERIAL

TOLERANCES UNLESS OTHERWISE SPECIFIED:

0 PLC	± -
1 PLC	± 0.2
2 PLC	± -
3 PLC	± -
4 PLC	± -
ANGLES	± -
FINISH	-

DWN 05-09-03

Chris Bolle

CHK 05-09-03

Chris Bolle

APVD 05-09-03

Jonathan Catchpole

PRODUCT SPEC

APPLICATION SPEC

WEIGHT

CUSTOMER DRAWING



Tyco Electronics Corporation
Dorcan, Swindon, GB

NAME

TJH1000 BRAKE RESISTOR

SIZE

CAGE CODE

DRAWING NO

RESTRICTED TO

A3

00779

C-1630955

-

SCALE 1:1

SHEET 2 OF 3

REV C1

THIS DRAWING IS UNPUBLISHED.

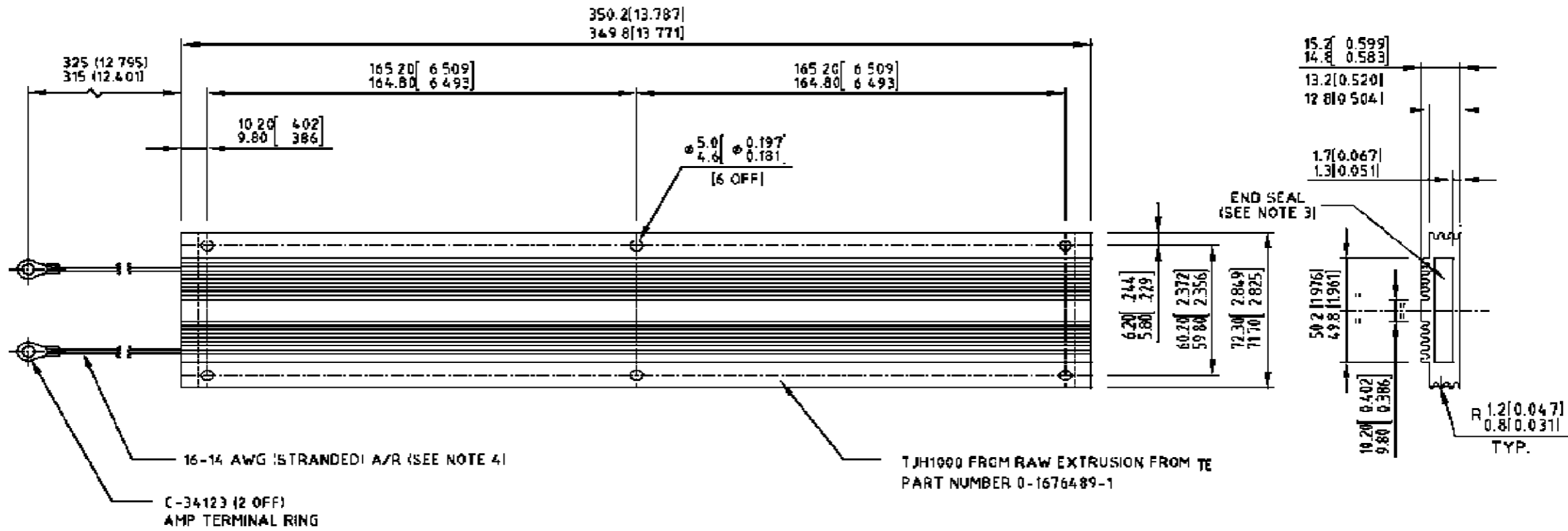
RELEASED FOR PUBLICATION

© COPYRIGHT BY TYCO ELECTRONICS CORPORATION. ALL RIGHTS RESERVED.

LOC E DIST B

REVISIONS

P	LTR	DESCRIPTION	DATE	DWN	APVD
-	-	SEE SHEET 1	-	-	-



SPECIFICATION TABLE

TE Part No. : 0-1630955-3

POWER RATING	600W
POWER RATING 600W FOR A MAXIMUM CASE SURFACE TEMP. RISE OF 150 C	
RESISTANCE	5 Ohms
STANDARD TOLERANCE	+/- 10 %
INSULATION VOLTAGE AC rms	2.5KV
INSULATION RESISTANCE GOhm	≥90
SERIES INDUCTANCE uH	6.5
OPERATING TEMPERATURE RANGE	-60 C TO +150 C
HEAT SINK RATING	0.38 C/W

NOTES

1. FINISH : EXTRUSION TO BE CLEAN AND DEBURRED
EXTRUSION TO BE ANODISED NATURAL CLEAR 9um +/- 1um
2. INTERNAL FILLER FORTAFIX CEMENT.
3. END SEAL : BOTH ENDS TO BE SEALED WITH DOW CORNING 736 SEALANT
4. WIRE : 32/0 2mm SILICONE COATED NICKEL COATED COPPER WIRE

MANUFACTURER : TE

ORDERING PROCEDURE :

QUOTE GOODRICH REFERENCE NUMBER, CURRENT ISSUE OF DRAWING 86603344, CURRENT ISSUE OF DRAWING

THIS ITEM IS FOR AEROSPACE APPLICATION AND IS SUBJECT TO TYPE APPROVAL TESTING. NO CHANGE TO ITEMS SUPPLIED TO THIS DESIGN STANDARD IS PERMITTED EXCEPT AS AUTHORISED BY "GOODRICH CONTROL SYSTEMS LIMITED - ENGINE CONTROL SYSTEMS". ITEMS MAY BE PURCHASED EITHER FROM THE MANUFACTURER OR THEIR APPROVED AGENTS, BUT IN ALL CASES ALTERNATIVE MANUFACTURERS TO THOSE LISTED UNDER THE GOODRICH CONTROL SYSTEMS LIMITED - ENGINE CONTROL SYSTEMS PART No. ARE NOT PERMITTED.

Schedule

TE Part No.	Description	Customer Part No.
0-1630955-3	TJH1000 BRAKE RESISTOR (5 Ohms) 320mm Leads	86603344

THIS DRAWING IS A CONTROLLED DOCUMENT.

DIMENSIONS:	TOLERANCES UNLESS OTHERWISE SPECIFIED:
MM	0 PLC ± -
	1 PLC ± 0.2
	2 PLC ± -
	3 PLC ± -
	4 PLC ± -
	ANGLES ± -
MATERIAL	FINISH

DWN	Chris Bolle	05-09-03	Tyco Electronics Corporation Dorcan, Swindon, GB	
CHK	Chris Bolle	05-09-03	Tyco Electronics	
APVD	Jonathan Catchpole	05-09-03	NAME TJH1000 BRAKE RESISTOR	
PRODUCT SPEC	-	-	SIZE	CAGE CODE
APPLICATION SPEC	-	-	A3	00779
WEIGHT	-	-	DRAWING NO	RESTRICTED TO
CUSTOMER DRAWING	-	-	©-1630955	-
SCALE 1:1		SHEET 3 OF 3		REV C1

Компания «Океан Электроники» предлагает заключение долгосрочных отношений при поставках импортных электронных компонентов на взаимовыгодных условиях!

Наши преимущества:

- Поставка оригинальных импортных электронных компонентов напрямую с производств Америки, Европы и Азии, а так же с крупнейших складов мира;
- Широкая линейка поставок активных и пассивных импортных электронных компонентов (более 30 млн. наименований);
- Поставка сложных, дефицитных, либо снятых с производства позиций;
- Оперативные сроки поставки под заказ (от 5 рабочих дней);
- Экспресс доставка в любую точку России;
- Помощь Конструкторского Отдела и консультации квалифицированных инженеров;
- Техническая поддержка проекта, помощь в подборе аналогов, поставка прототипов;
- Поставка электронных компонентов под контролем ВП;
- Система менеджмента качества сертифицирована по Международному стандарту ISO 9001;
- При необходимости вся продукция военного и аэрокосмического назначения проходит испытания и сертификацию в лаборатории (по согласованию с заказчиком);
- Поставка специализированных компонентов военного и аэрокосмического уровня качества (Xilinx, Altera, Analog Devices, Intersil, Interpoint, Microsemi, Actel, Aeroflex, Peregrine, VPT, Syfer, Eurofarad, Texas Instruments, MS Kennedy, Miteq, Cobham, E2V, MA-COM, Hittite, Mini-Circuits, General Dynamics и др.);

Компания «Океан Электроники» является официальным дистрибьютором и эксклюзивным представителем в России одного из крупнейших производителей разъемов военного и аэрокосмического назначения «JONHON», а так же официальным дистрибьютором и эксклюзивным представителем в России производителя высокотехнологичных и надежных решений для передачи СВЧ сигналов «FORSTAR».



JONHON

«JONHON» (основан в 1970 г.)

Разъемы специального, военного и аэрокосмического назначения:

(Применяются в военной, авиационной, аэрокосмической, морской, железнодорожной, горно- и нефтедобывающей отраслях промышленности)

«FORSTAR» (основан в 1998 г.)

ВЧ соединители, коаксиальные кабели, кабельные сборки и микроволновые компоненты:

(Применяются в телекоммуникациях гражданского и специального назначения, в средствах связи, РЛС, а так же военной, авиационной и аэрокосмической отраслях промышленности).



Телефон: 8 (812) 309-75-97 (многоканальный)

Факс: 8 (812) 320-03-32

Электронная почта: ocean@oceanchips.ru

Web: <http://oceanchips.ru/>

Адрес: 198099, г. Санкт-Петербург, ул. Калинина, д. 2, корп. 4, лит. А