

### POWER MANAGEMENT

#### Features

- Input voltage range — 2.3V to 5.5V
- 1.2A continuous output current
- 4MHz switching frequency
  - Optional Frequencies 2.2/3/6MHz
- Adjustable or Fixed Output Voltage
  - Adjustable Output Range 0.8V to VIN
  - Fixed Output Range 0.8V to 3.6V
- 1% output voltage accuracy
- Adaptive On-Time architecture
- Up to 100% duty cycle
- Up to 96% peak efficiency
- Power Save mode for efficient light load operation
- >90% efficiency 30mA to 75mA
- 1µA shutdown current
- 23µA quiescent current
- Pre-bias startup protection
- Internal or optional external Soft Start
- Device options (contact Semtech Marketing)
  - Automatic output discharge
  - Power Good indicator
  - Internal Soft Start
  - External Programmable Soft Start
  - Forced PWM Operation Input
- 0.75mm x 1.11mm, 6-Bump WLCSP Package
- WEEE and RoHS compliant and halogen-free

#### Applications

- Smart Phones
- Wearable Electronics
- Tablet PCs
- GPS devices
- Battery powered equipment
- Portable devices

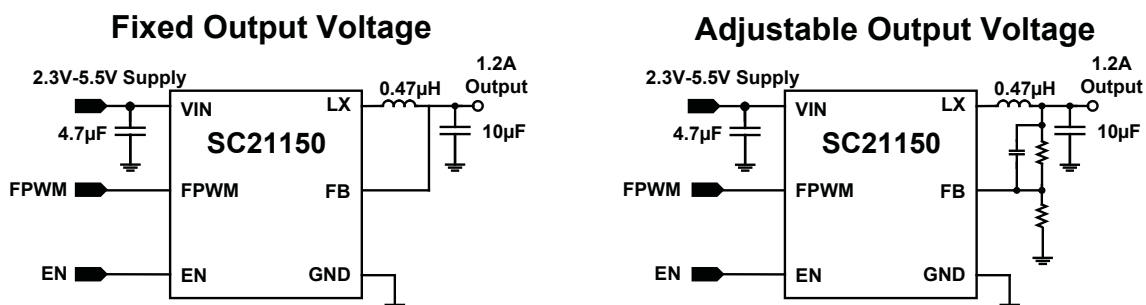
#### Description

The SC21150 is an ultra high efficiency 1.2A DC/DC buck regulator available in a tiny CSP package. These features make the SC21150 family perfect for small form factor portable applications where long battery life is essential. SC21150 is an Adaptive On-Time 4MHz switching regulator at full load conditions. Under light load conditions it seamlessly transitions into Power Save Mode and reduces switching frequency thus saving energy. High switching frequency operation allows the use of a very small 0.47µH inductor along with small input and output capacitors to minimize overall circuit size. A Forced PWM input allows continuous switching under all load conditions.

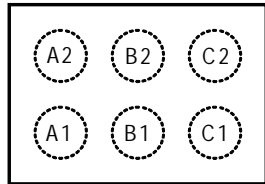
The SC21150 is highly configurable with a wide range of factory options including internal Soft Start times, fixed or adjustable output voltage, automatic output discharge, and a Forced PWM input. Additional options include exchanging the Forced PWM input for externally programmed Soft Start or a Power Good indicator. Operating frequency options are 2.2, 3, and 6MHz.

The SC21150 is offered in an ultra small WLCSP 6-Bump 0.75mm x 1.11mm package with a bump pitch of 0.35mm. The SC21150 operating temperature range is -40C to +85C.

#### Typical Application Circuit



### Pin Configuration



TOP VIEW  
0.75x1.11 (mm)  
6-Bump WLCSP

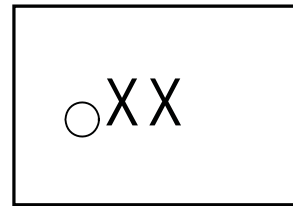
**Bump Assignments 0.75x1.11mm 6-Bump WLCSP**

| Row/Column | 1   | 2                   |
|------------|-----|---------------------|
| <b>A</b>   | GND | VIN                 |
| <b>B</b>   | LX  | FPWM <sup>(1)</sup> |
| <b>C</b>   | FB  | EN                  |

Notes:

(1) Pin B2 is default configured as Forced PWM input. This pin can also be configured as externally programmed Soft Start or a Power Good Indicator. Refer to Ordering Information.

### Marking Information



TOP VIEW  
0.75x1.11  
6-Bump  
WLCSP

**6-Bump WLCSP Marking Diagram**  
XX = Pin A1 and Marking Code

**6-Bump WLCSP Device Code**

| Part Number   | Output | Marking Code |
|---------------|--------|--------------|
| SC21150ACSTRT | Adj    | AZ           |
| SC21150BCSTRT | 1.2V   | BL           |

## Ordering Information

| Device <sup>(1)(2)</sup> | Options <sup>(3)</sup>                       |                                 |                                    |                              |                          |
|--------------------------|--|---------------------------------|------------------------------------|------------------------------|--------------------------|
|                          | Output <sup>(3)</sup>                        | Output Discharge <sup>(3)</sup> | Internal Soft-Start <sup>(3)</sup> | Pin B2 Option <sup>(3)</sup> | Frequency <sup>(3)</sup> |
| SC21150ACSTRT            | Adjustable                                   | Automatic                       | 100µs                              | Forced PWM                   | 4MHz                     |
| SC21150BCSTRT            | 1.2V   | Automatic                       | 100µs                              | Forced PWM                   | 4MHz                     |
| SC21150EVB               | Evaluation Board 0.75 x 1.11 mm 6-Bump WLCSP |                                 |                                    |                              |                          |

**Notes:**

(1) Available in tape and reel only. A reel contains 5,000 devices.

(2) Lead-free packaging only. Device is WEEE and RoHS compliant and halogen-free.

(3) The following options can be made available. Contact Semtech Marketing for device options.

VOUT options : fixed or adjustable versions.

Fixed voltages can be specified from 0.8V to 3.6V in 50mV increments.

Output Discharge options: Automatic Discharge and No Discharge.

Soft-Start options: Fixed internal 100µs, with options for 200µs/400µs/800µs.

Pin B2: The default function of the B2 pin is Forced PWM input. This pin can also be configured to provide externally programmed Soft Start or a Power Good indicator.

Frequency: The default operating frequency is 4MHz with options of 2.2MHz, 3MHz, or 6MHz.

## Absolute Maximum Ratings

|  |                     |
|--|---------------------|
| VIN (V) .....                                  | -0.3 to +6.0        |
| EN (V) .....                                   | -0.15 to +(VIN+0.3) |
| FB, FPWM (V) .....                             | -0.3 to +(VIN+0.3)  |
| LX (V).....                                    | -0.3 to +(VIN+0.3)  |
| ESD Protection Level (kV) <sup>(1)</sup> ..... | 4                   |

## Recommended Operating Conditions

|                                       |                             |
|---------------------------------------|-----------------------------|
| Input Voltage Range (V) .....         | 2.3 to 5.5                  |
| Output Voltage Range (V) .....        | 0.8 to 3.6                  |
| Maximum Continuous Current (A).....   | 1.2                         |
| Junction Temperature Range (°C) ..... | -40 < T <sub>j</sub> < +125 |

## Thermal Information

|   |             |
|---|-------------|
| Thermal Resistance Junction to Ambient <sup>(2)</sup> (°C/W ) |             |
| WLCSP package. ....   | 100         |
| Maximum Junction Temperature (°C).....                        | +150        |
| Operating Junction Temperature (°C).....                      | -40 to +125 |
| Storage Temperature Range (°C) .....                          | -65 to +150 |
| Peak IR Reflow Temperature (10s to 30s) (°C) .....            | +260        |

Exceeding the above specifications may result in permanent damage to the device or device malfunction. Operation outside of the parameters specified in the Electrical Characteristics section is not recommended.

NOTES:

(1) Tested according to JEDEC standard JESD22-A114-B.

(2) Calculated from package in still air, mounted to 3 x 4.5 (in), 4 layer FR4 PCB with thermal vias under the exposed pad per JESD51 standards.

## Electrical Characteristics

Unless otherwise noted VIN = 5.0V, CIN = 4.7µF, COUT = 10µF, L = 0.47µH, EN = VIN, T<sub>j</sub> = -40 to +85°C. Typical values are at T<sub>A</sub> = 25°C.

| Parameter                           | Symbol   | Conditions  | Min  | Typ   | Max  | Units |
|-------------------------------------|----------|---|------|-------|------|-------|
| <b>Input Supply</b>                 |          |   |      |       |      |       |
| Input Supply Voltage Range          | VIN      |   | 2.3  |       | 5.5  | V     |
| Shutdown Current                    | ISD      | EN = 0V   |      | 0.1   |      | µA    |
| Quiescent Current                   | IQ       | Operating, No Load, Power Save Option   |      | 23    |      | µA    |
| Under Voltage Lock Out Threshold    | UVLOrise | VIN rising edge   | 2.05 | 2.16  | 2.27 | V     |
| Under Voltage Lock Out Hysteresis   | UVLOhyst |   |      | 85    |      | mV    |
| <b>Output Voltage<sup>(1)</sup></b> |          |   |      |       |      |       |
| Feedback Voltage                    | VFB      | Adjustable Vout<br>(Fixed Vout: see Output in<br>Ordering Information, page 2.) |      | 0.80  |      | V     |
| Feedback Voltage Tolerance          | VFBtol   | Adjustable Vout and Fixed Vout  | -2   | +/- 1 | +2   | %     |
| Feedback Input Leakage Current      | IFB      | Adjustable Vout   |      | 1     | 25   | nA    |
| Feedback Input Impedance            | ZFB      | Fixed Vout  |      | 4000  |      | kΩ    |

**Electrical Characteristics (continued)**

| Parameter                                    | Symbol   | Conditions  | Min  | Typ   | Max | Units |
|--|----------|---|------|-------|-----|-------|
| Output Voltage Range                         | Vout     | Adjustable Vout   | 0.8  |       | VIN | V     |
|  |          | Fixed Vout  | 0.8  |       | 3.6 | V     |
| Output Voltage Line Regulation               | dVline   | 5.5V > VIN > (Vout +1), PWM operation   |      | 0.17  |     | %/V   |
| Output Voltage Load Regulation               | dVload   | 500mA < ILOAD < 1.2A  |      | -0.13 |     | %/A   |
| Maximum Output Current                       | IOUT     | Continuous current  | 1.2  |       |     | A     |
| <b>Soft Start</b>                            |          |   |      |       |     |       |
| Soft Start Time <sup>(1)</sup>               | TSS      | FB from LX rising edge to 95% of final value<br>(Internal Soft Start)                                 |      | 100   |     | μs    |
| <b>LX Switching Node</b>                     |          |   |      |       |     |       |
| On Resistance High-side                      | Rdson_hs | FB = 0V; ILX = 500mA  |      | 160   |     | mΩ    |
| On Resistance Low-side                       | Rdson_ls | FB = VIN; ILX = 500mA   |      | 120   |     | mΩ    |
| LX Leakage Current High Side                 | ILX_hs   | FB = VIN = 5.5V; VLX = 0V   | -1.5 | -0.1  |     | μA    |
| LX Leakage Current Low Side                  | ILX_ls   | FB = 0V; VLX = VIN = 5.5V;<br>Vout Automatic Discharge disabled                                       |      | 0.1   | 1   | μA    |
| LX Pulldown Current <sup>(1)</sup>           | ILX_pd   | EN = 0V; VLX = 1V;<br>Vout Automatic Discharge enabled  |      | 20    |     | mA    |
| Switching Frequency Tolerance <sup>(1)</sup> | Fsw_tol  | PWM operation, 500mA load<br>Adjustable Output: Vout = 2.5V<br>Fixed Output: see Ordering Information | -10  |       | +10 | %     |
| <b>Current Sense</b>                         |          |   |      |       |     |       |
| High Side Current Limit                      | ILIMhs   | Current from VIN to LX  | 1.5  | 2.2   | 3.0 | A     |
| Low Side Current Limit                       | ILIMls   | Current from LX to GND  |      | -0.8  |     | A     |
| Zero Cross Detector Threshold                | Ithzcpfm | Power Save Mode and DC Test condition   |      | 0     |     | mA    |
| <b>Thermal Protection</b>                    |          |   |      |       |     |       |
| Over-Temperature Shutdown                    | Tts_rise | Rising temperature  |      | 160   |     | °C    |
| Over-Temperature Hysteresis                  | Tts_hyst |   |      | 10    |     | °C    |
| <b>EN Input</b>                              |          |   |      |       |     |       |
| EN Input High Threshold                      | VIHen    |   | 1.2  |       |     | V     |
| EN Input Low Threshold                       | VILen    |   |      |       | 0.4 | V     |
| EN Input High Current                        | IHen     | VEN = VIN   | -1   |       |     | μA    |
| EN Input Low Current                         | ILen     | VEN = 0V  |      |       | 1   | μA    |

## Electrical Characteristics (continued)

| Parameter                             | Symbol  | Conditions     | Min | Typ | Max | Units |
|---------------------------------------|---------|----------------|-----|-----|-----|-------|
| <b>Forced PWM Input<sup>(1)</sup></b> |         |                |     |     |     |       |
| FPWM Input High Threshold             | VIHfpwm |                | 1.2 |     |     | V     |
| FPWM Input Low Threshold              | VILfpwm |                |     |     | 0.4 | V     |
| FPWM Input High Current               | IHFpwm  | FPWM pin = VIN | -1  |     |     | μA    |
| FPWM Input Low Current                | ILfpwm  | FPWM pin = 0V  |     |     | 1   | μA    |

### Notes:

(1) The following options can be made available. Contact Semtech Marketing for device options.

VOUT options : fixed or adjustable versions.

Fixed voltage options are as shown in the Ordering Information Table.

Additional fixed voltages can be specified, from 0.8V to 3.6V in 50mV increments.

Soft-Start options: Fixed internal 100μs, with options for 200μs/400μs/800μs.

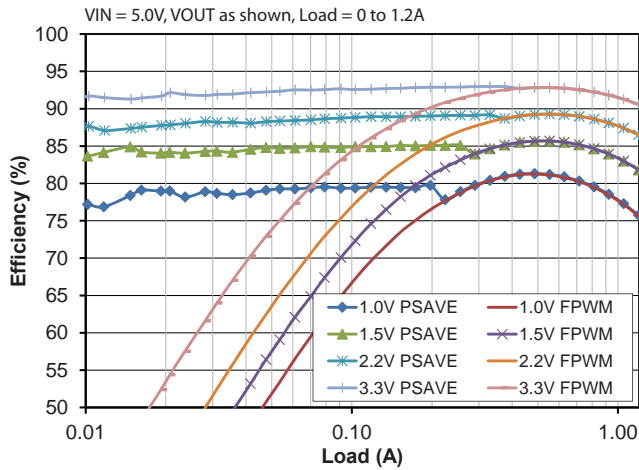
Output Discharge options: Automatic Discharge and No Discharge.

Frequency: The default operating frequency is 4MHz with options of 2.2MHz, 3MHz, or 6MHz.

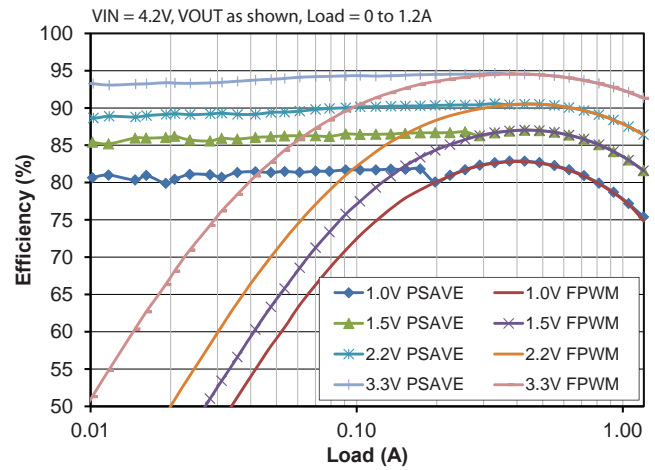
Pin B2: The default function of the B2 pin is Forced PWM input. This pin can also be configured to provide externally programmed Soft Start or a Power Good indicator.

## Typical Characteristics

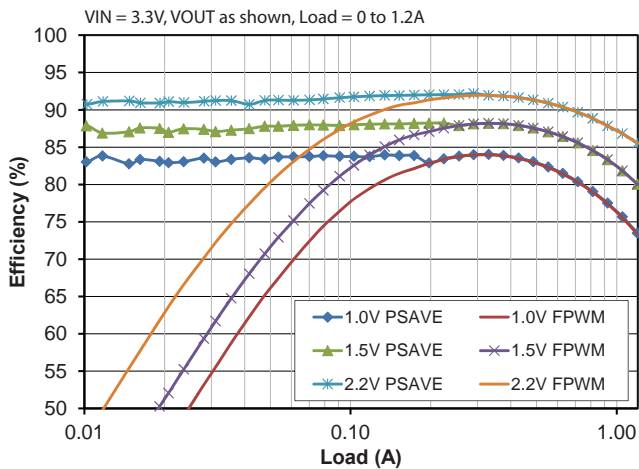
### Efficiency vs. Load - 5VIN



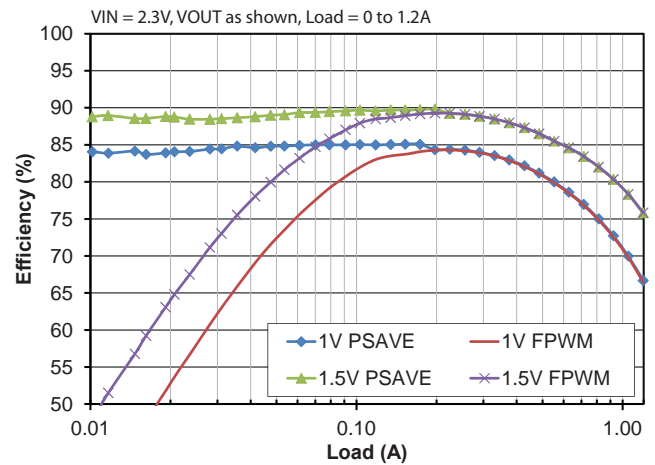
### Efficiency vs. Load - 4.2VIN



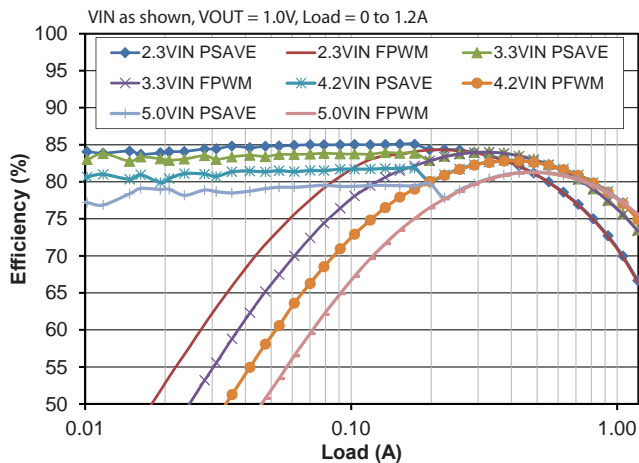
### Efficiency vs. Load - 3.3VIN



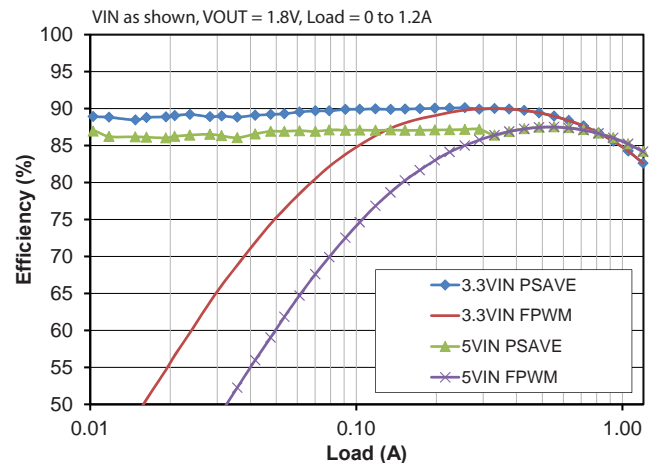
### Efficiency vs. Load - 2.3VIN



### Efficiency vs. Load - VOUT 1.0V

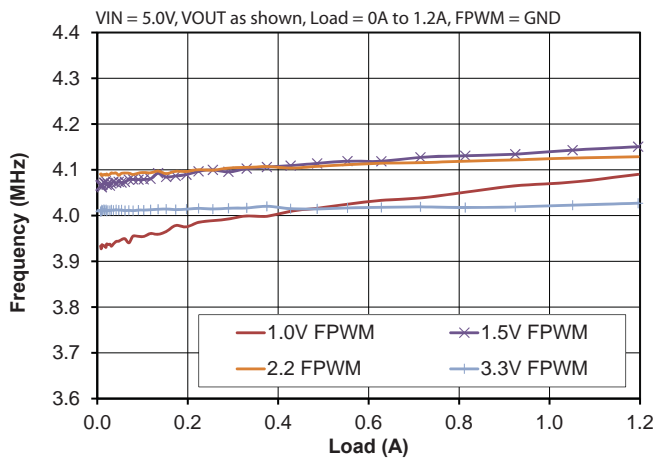


### Efficiency vs. Load - VOUT 1.8V

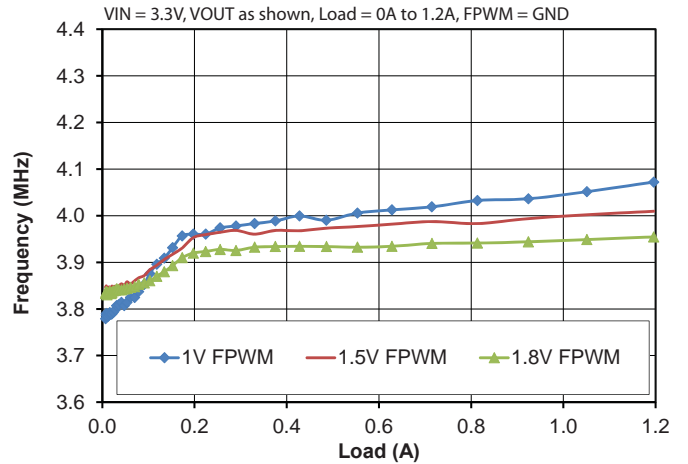


## Typical Characteristics

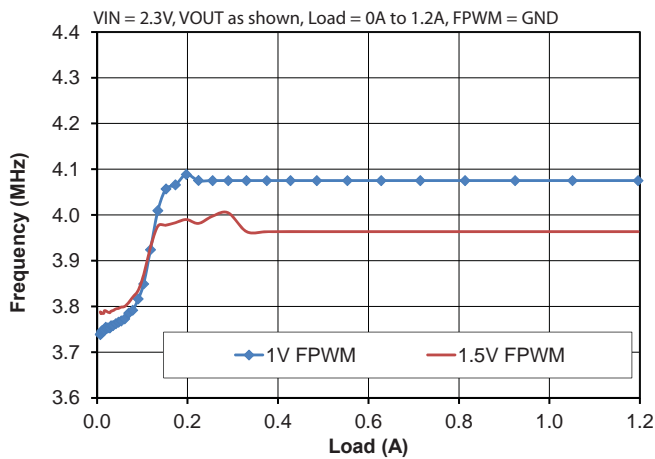
Frequency vs load - 5VIN, FPWM operation



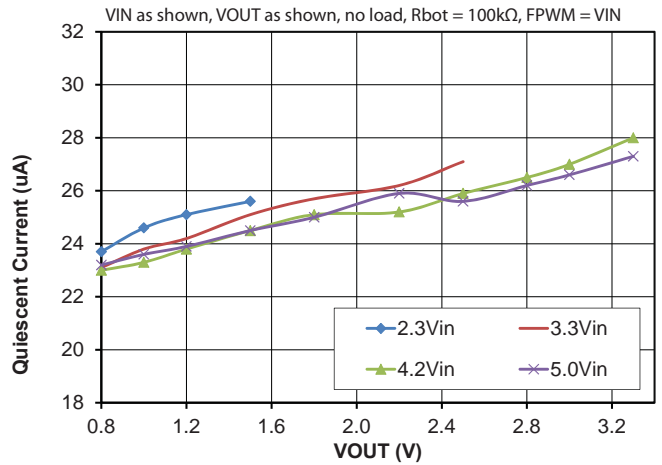
Frequency vs load - 3.3VIN, FPWM operation



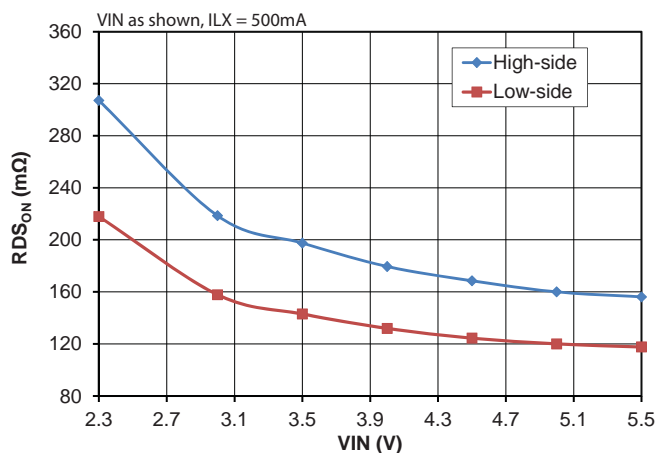
Frequency vs load - 2.3VIN, FPWM operation



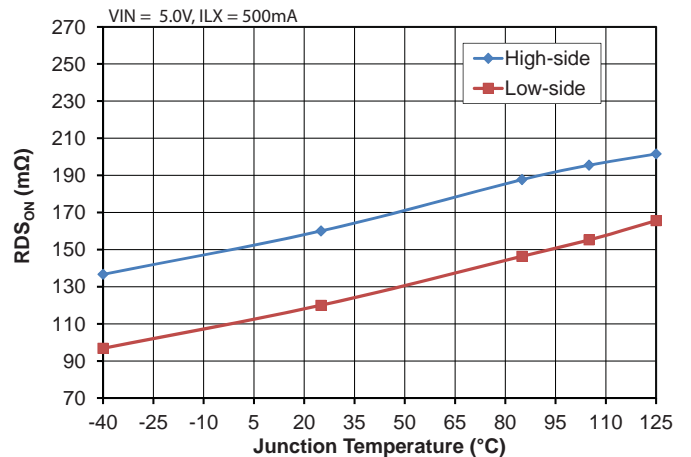
Quiescent Current vs Output Voltage



RDS<sub>ON</sub> vs. Input Voltage



RDS<sub>ON</sub> vs. Temperature

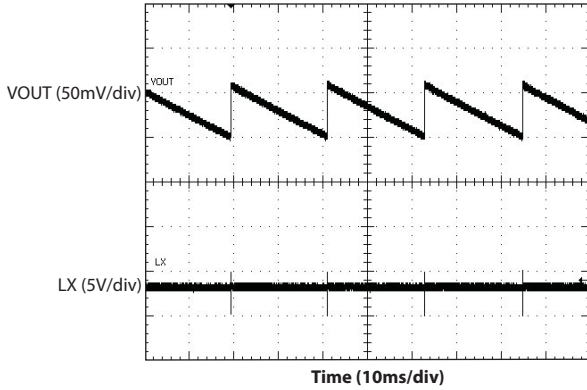




Typical Characteristics (continued)

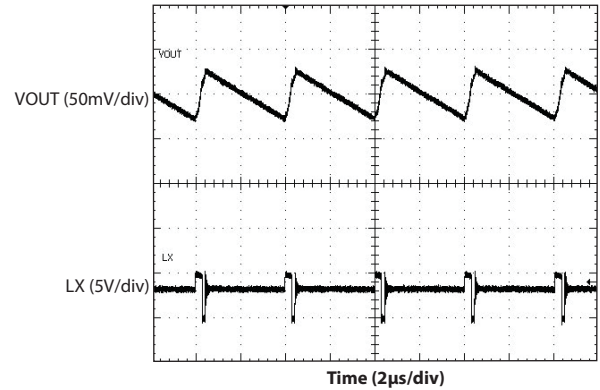
Power Save Operation — no load

VIN = 5V, VOUT = 3.3V, 0mA load, FPWM = GND



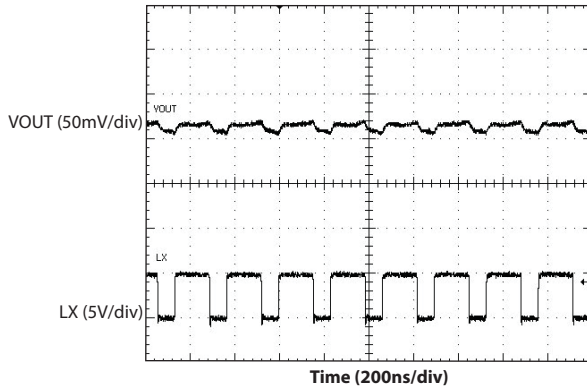
Power Save Operation — 50mA load

VIN = 5V, VOUT = 3.3V, 50mA load, FPWM = GND



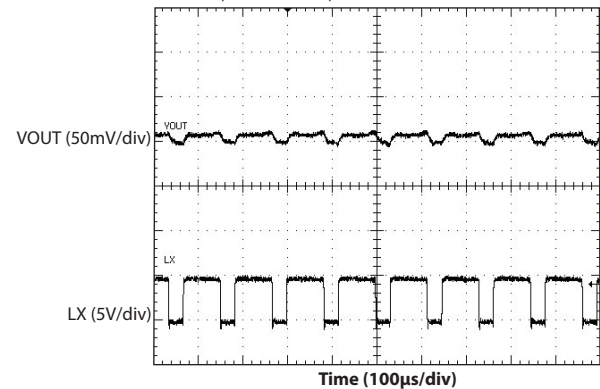
FPWM Operation — no load

VIN = 5V, VOUT = 3.3V, 0mA load, FPWM = VIN



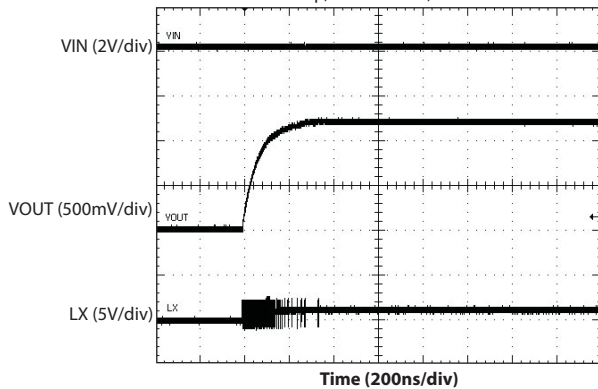
FPWM Operation — 1.2A load

VIN = 5V, VOUT = 3.3V, 1.2A load



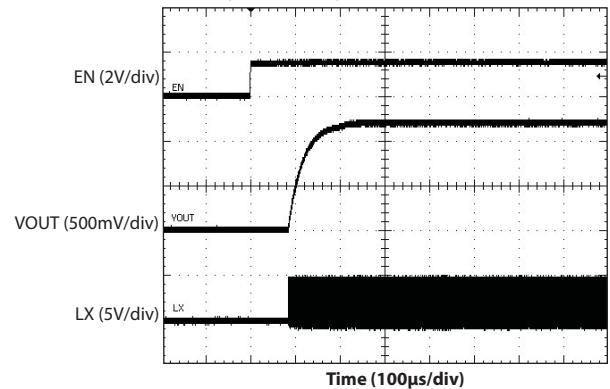
Startup — VIN Ramp

VIN = EN = 2.3V ramp, VOUT = 1.2V, no load



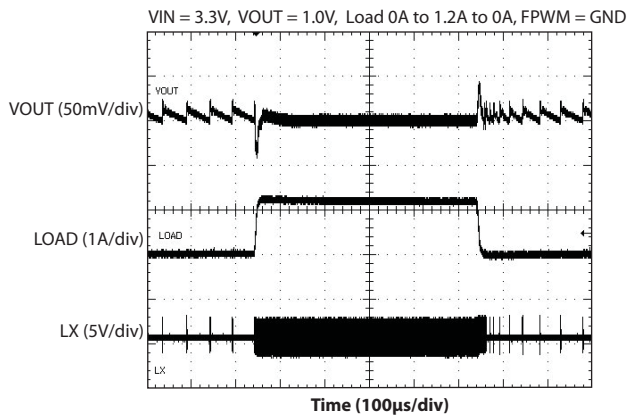
Startup - EN Control

VIN = 5V, VOUT = 1.2V, 1.2A Load

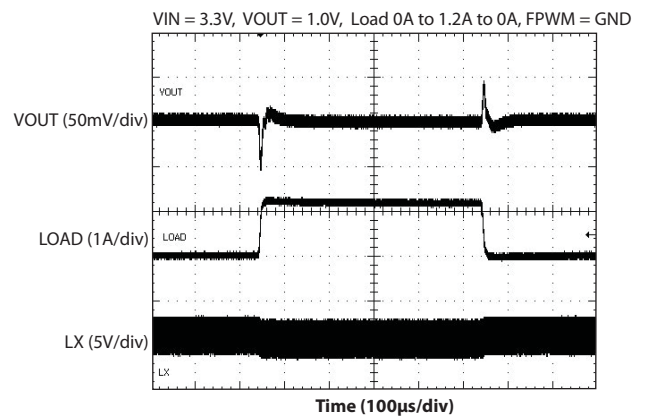


## Typical Characteristics (continued)

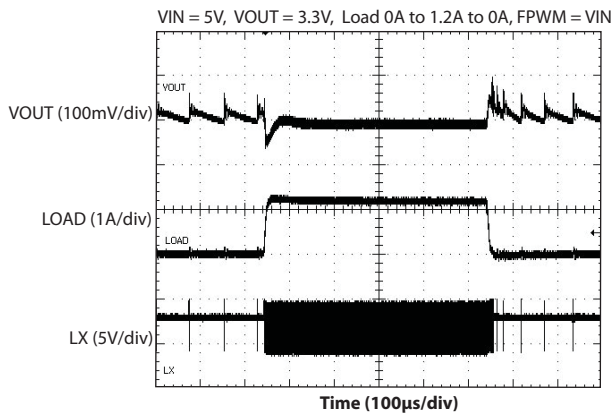
**Load Transient - Power Save PFM to PWM**



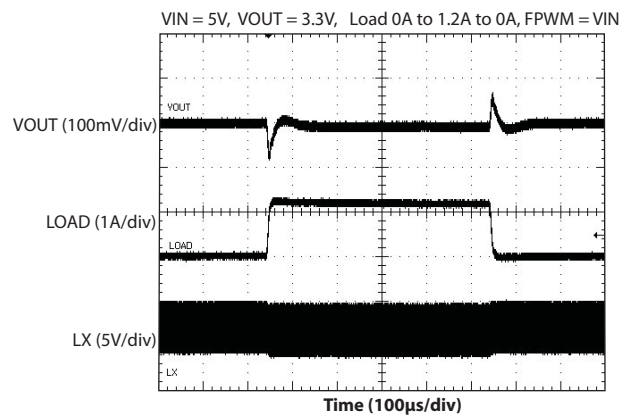
**Load Transient - PWM to PWM**



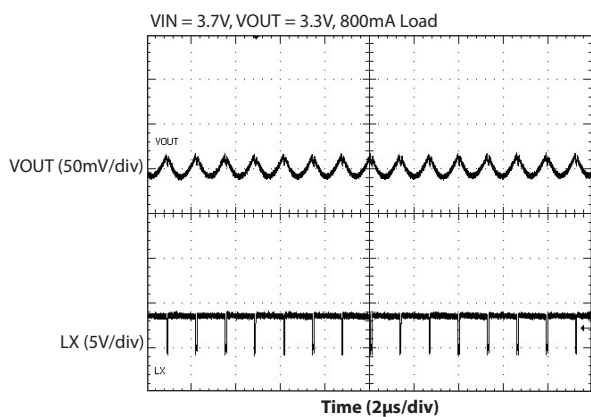
**Load Transient - Power Save PFM to PWM**



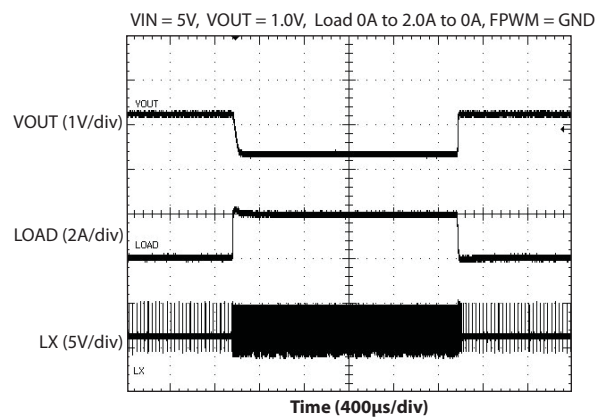
**Load Transient - PWM to PWM**



**PWM Minimum Off Operation**

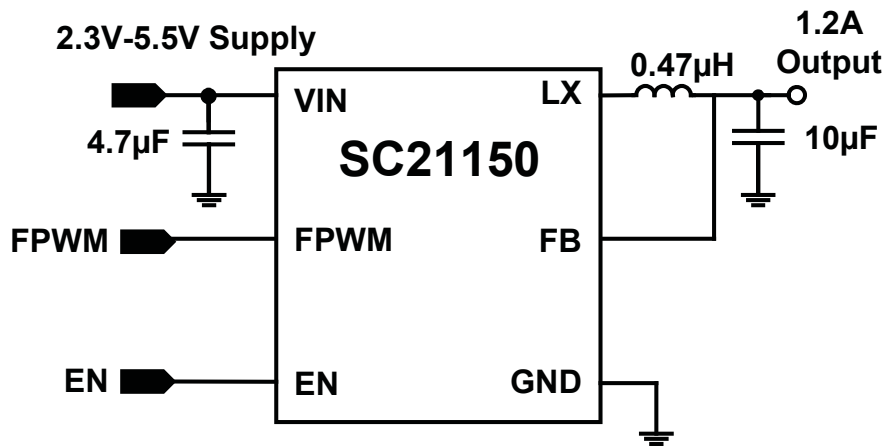


**Overcurrent Shutdown and Recovery**

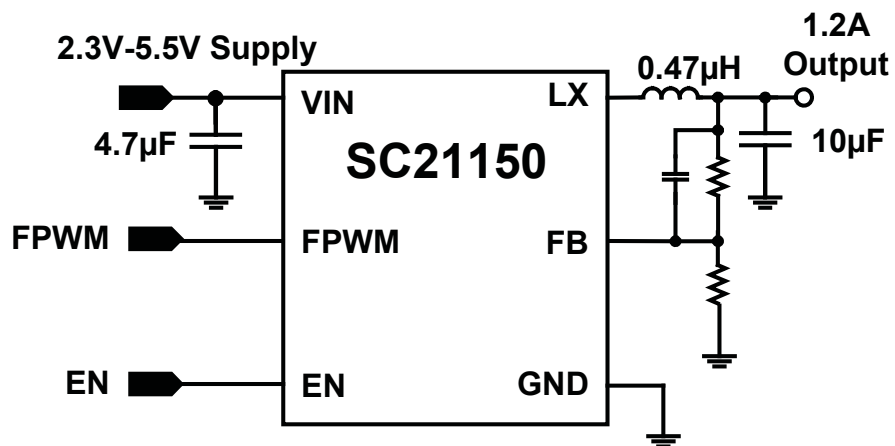


**Detailed Application Circuit**

## Fixed Output Voltage

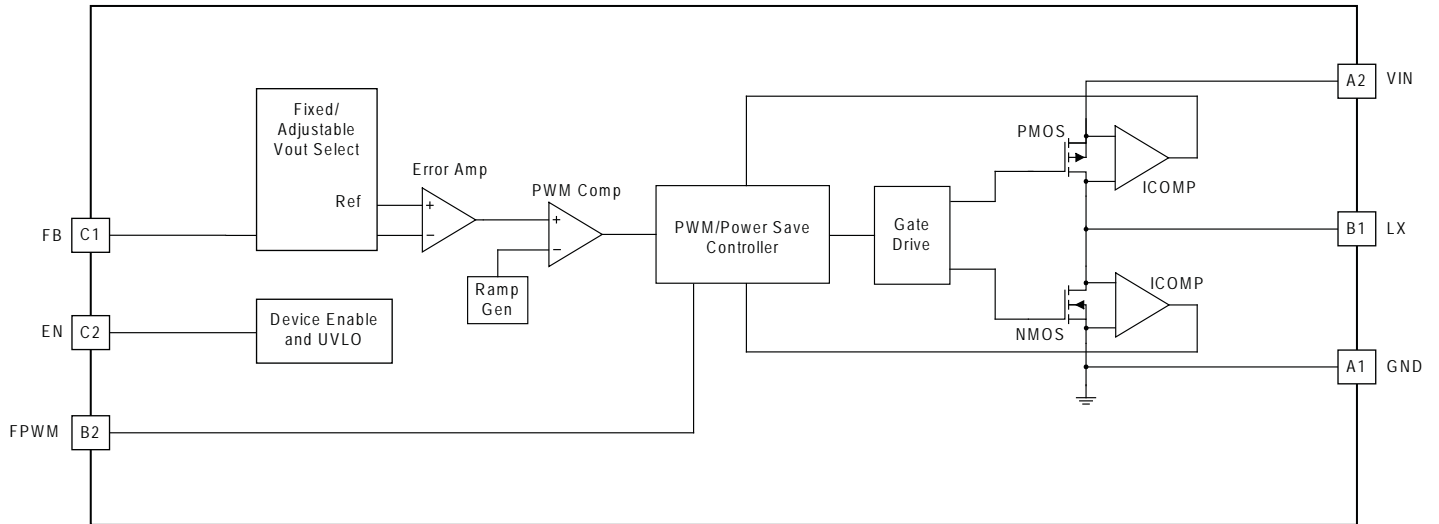


## Adjustable Output Voltage



## Bump Descriptions - 0.75 x 1.11mm 6-bump WLCSP

| Bump | Bump Name | Bump Description  |
|------|-----------|---|
| A1   | GND       | Ground connection.  |
| A2   | VIN       | Input Supply Voltage for the device and sense point for the input Under Voltage Lock Out.   |
| B1   | LX        | Switching node connection to inductor.  |
| B2   | FPWM      | Forced PWM input.<br>A logic low enables the automatic Power Save feature.<br>A logic high disables the Power Save feature to ensure Forced PWM operation.<br>Note that the B2 pin can also be configured to provide externally programmed Soft Start or a Power Good Indicator, refer to Ordering Information. |
| C1   | FB        | Feedback input (Output Voltage sense).<br>For Adjustable Output, connect to the midpoint of a resistor divider between the output voltage and GND.<br>For Fixed Output, connect directly to the output (VOUT).  |
| C2   | EN        | Enable input. Connect to logic high or VIN to enable the device. Connect to logic low or GND to disable the device.   |

**Block Diagram**


## Applications Information

### Synchronous Buck Converter

The SC21150 is a synchronous buck regulator that employs an adaptive on-time architecture to provide fast transient response and very small circuit area. The SC21150 operates over an input voltage range of 2.3 to 5.5V.

### Operating Modes

The SC21150 operates in one of four different modes depending on the status of VIN, VOUT, and load.

- PWM Adaptive On-time operation (AOT)
- PWM Minimum Off-time operation (Min Off)
- PFM (Pulse Frequency Modulation for Power Saving)
- Drop-Out operation (LDO mode)

### PWM AOT Mode Operation

During PWM AOT operation the controller uses adaptive on-time control. The FB ripple signal is routed to a gain stage and then to the internal comparator and reference which trigger the high-side pulses. The reference includes a compensation ramp which emulates the inductor current to provide stable switching.

AOT operation is used when the low-side pulse-width (off-time) is greater than the minimum 60nsec.

A switching cycle in AOT mode is as follows:

- On-time: the cycle starts with the high-side mosfet turn-on. The pulse width is set by the following formula where  $f_{sw}$  is 4MHz:

$$T_{ON} = \frac{V_{OUT}}{V_{INMAX} \times f_{SW}}$$

- Off-time: after the high-side on-time is completed, the low-side mosfet turns on to begin the off-time. The off-time pulse width is set by the internal compensation ramp and under static conditions results in typically 4MHz switching frequency.

Note that the SC21150 enters constant switching operation (AOT or Min Off) if VIN is less than VOUT/0.88. Also note that connecting the FPWM input to a logic high will disable the Power Save feature, providing constant switching even under light load conditions.

### PWM Min Off Operation

The device will enter Minimum Off-time operation (Min Off) when VIN, VOUT, and load conditions force the off-time (time between high-side pulses) to the minimum value, typically 60nsec. This indicates that the controller has reached maximum duty cycle for AOT operation and longer duty cycles are needed.

In Min Off operation the SC21150 uses constant off-time control. As in AOT operation, the FB ripple signal is routed to a gain stage and then to the internal AOT comparator and reference. In Min Off mode, the FB ripple triggers the low-side turn-on. Min Off switching cycle operation is as follows:

- Off-time: The low-side mosfet is on for a fixed Minimum Off time of 60nsec. This draws current from the output capacitor through the inductor via the LX pin and causes the output to fall.
- On-time: after the Min Off time of 60nsec has elapsed, the high-side mosfet turns on. This helps recharge the output capacitor and bring the output voltage up. The on-time pulse width is determined by the internal compensation ramp.

### Drop-out Operation

When operating in Min Off mode, the off-time is constant and the high-side on-time varies in order to regulate the output. For cases where VIN is near VOUT, the high-side will remain on continually with 100% duty cycle. The output voltage will then be limited by the input voltage, high-side  $RDS_{ON}$  and inductor DCR as shown in the following equation:

$$V_{OUT} = V_{IN} - I_{LOAD} \times (R_{DS_{ON}} + DCR)$$

Note that  $RDS_{ON}$  is a function of input voltage and temperature. Inductor DC resistance also increases with temperature.

## Applications Information (continued)

### Power Save (PFM) Operation

PFM operation is enabled when the FPWM input is a logic low. Under this condition, the IC automatically reduces switching frequency under light load conditions to conserve power. In PFM operation, the FB ripple signal is routed to a gain stage and compared to an internal reference. A switching cycle is as follows.

- On-time: The high-side mosfet turns on, as triggered by the FB signal falling to the internal reference. The high-side stays on for a predetermined time based on VIN and VOUT, then turns off.
- Off-time: the low-side mosfet turns on. Inductor current is monitored via the low-side switch. When the current falls to zero, the low-side mosfet turns off.
- Dead-time: both mosfets are off. If the FB signal is higher than the internal reference, both mosfets remain off. During the dead-time the load current is supplied by the output capacitor, causing the output and the FB signal to fall. When the FB signal falls to the 800mV threshold, the next high-side pulse begins.

As load current increases, the dead-time between pulses reduces. On any cycle, if the minimum off-time (60nsec) has elapsed and the FB signal is calling for another high-side on-time, the controller exits PFM and enters PWM operation.

Once the controller is in PWM operation, the inductor current must go below zero (go negative) for 16 switching cycles before the controller will return to PFM operation.

### Soft start

The SC21150 contains an internal soft start to reduce inrush current during start-up. During start-up, the FB signal is compared to an internal ramp, providing a gradual ramp on VOUT. The timing to move VOUT from 0V to 95% of final value is typically 100usec. Optional soft start times of 200usec, 400usec, and 800usec can be provided.

### Pre-bias Start-up

During start-up, the low-side mosfet turns off if the inductor current falls negative (into the LX pin) on any cycle. This prevents discharge of the output capacitor during the soft-start cycle. Note that if the output is loaded during a Pre-Bias start-up, the output voltage may fall until the internal Soft-start ramp rises above the voltage seen at the FB pin.

### VIN Under-Voltage Lockout

The SC21150 includes an under-voltage lockout (UVLO) to inhibit switching until the input voltage exceeds 2.16V. The VIN UVLO threshold has 85mV hysteresis to prevent chatter during start-up.

### EN Input

The EN input is a logic level input. When EN is set to logic high, the SC21150 goes through an internal reset to prepare for operation. The soft-start ramp and mosfet switching begin typically 50µsec after EN is driven high.

When EN is low (grounded), the power mosfets are off and the SC21150 is its lowest power state. The automatic discharge mosfet connected to LX is on to discharge the output before the next start-up cycle.

### FPWM Input

The B2 pin (FPWM input) is a logic level input that enables or disables the Power Save feature. Connect the FPWM input to a logic low or GND to enable Power Save operation. To disable Power Save operation and provide continuous switching at all loads, connect the FPWM input to a logic high or VIN.

Note that the B2 pin can also be configured to provide either externally programmable Soft Start or a Power Good Indicator, refer to Ordering Information.

### Automatic Discharge

When the EN pin is pulled low (grounded), the power mosfets are tri-stated and the LX pin is connected to GND through an internal mosfet to discharge the output capacitors. Typical mosfet  $R_{DS_{ON}}$  is 40 ohms at 5V and 25°C. Note that  $R_{DS_{ON}}$  is a function of both VIN and temperature.

## Applications Information (continued)

The automatic discharge feature can optionally be disabled from the device.

### Over-current Protection

The SC21150 provides overload protection through pulse by pulse current limiting. During the high-side on-time, the high-side switches off if the inductor current exceeds 2.2A typically. The low-side turns on briefly, followed by the next high-side on-time. Switching continues while the output overload exists. When the overload is removed, the SC21150 will resume normal operation. If the overload causes high junction temperature, the SC21150 will go into Over-temperature protection.

### Over-temperature Protection

The SC21150 will shut down if the junction temperature exceeds typically 160 °C. The device will automatically restart after the junction temperature has dropped typically 10 °C.

### Component Selection

The SC21150 is optimized for use with components as shown in the Detailed Applications Circuit, page 11. The guidelines below apply to 4MHz devices.

**Inductor:** the inductor should be 0.47uH, capable of supporting a minimum current of 1.2A.

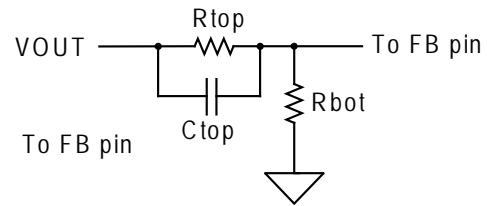
**Input capacitor:** ceramic capacitor, minimum 4.7uF, X5R or X7R or better dielectric.

**Output capacitor:** ceramic capacitor, minimum 10uF, X5R or X7R or better dielectric.

Note when operating in Min Off mode, higher output capacitance may needed to reduce output ripple when VIN approaches VOUT.

For Fixed Output devices, no FB components are required and the FB pin can be connected directly to the output.

For Adjustable Output devices, the FB components are required to provide output voltage sensing and feedback compensation. The output voltage is programmed using two resistor along with a compensation capacitor.



The FB regulation threshold for Adjustable output devices is 800mV. The output voltage can be calculated as shown.

$$V_{OUT} = 0.8 \times \left( 1 + \frac{R_{top}}{R_{bot}} \right)$$

The FB resistor values can be calculated as shown. It is recommended to use 100kΩ for Rbot to minimize power loss in the FB network.

$$R_{top} = \frac{(V_{OUT} - 0.8V) \times R_{bot}}{0.8V}$$

The optimum value for Ctop is 22pF with Rbot set to 100kΩ and Rtop set as shown in the above formula.



**PCB Layout Guidelines**

An optimum layout for the SC21150 is shown below. The PCB layout should follow the guidelines below.

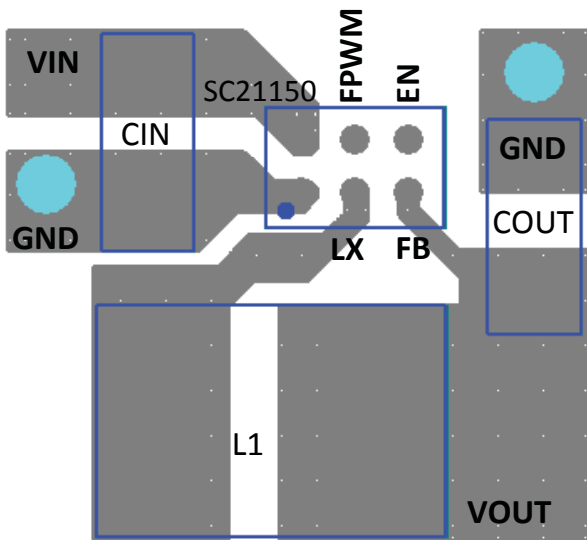
The input capacitor must be located as close as possible to the IC and directly connected to pins A2 (VIN) and A1 (GND).

The LX trace from pin B1 to the inductor should be as short as possible, and wide to reduce IR loss and improve heat dissipation.

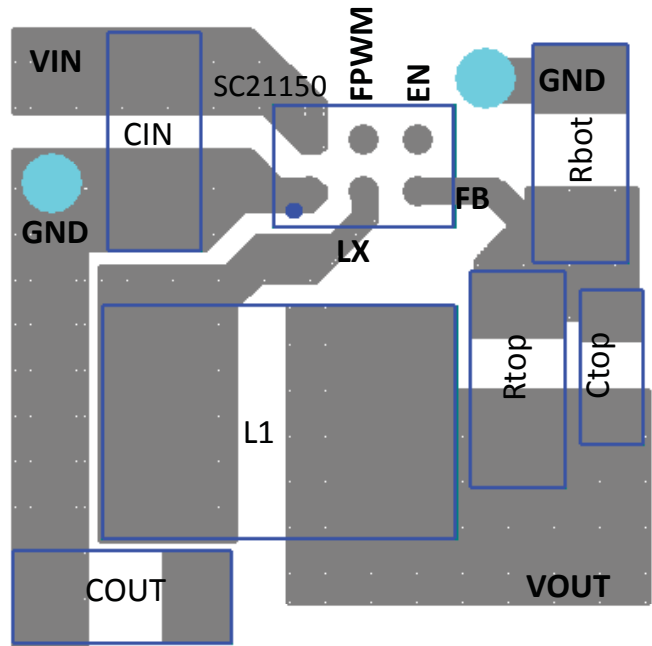
The output capacitor should be close to the inductor.

For adjustable output devices, the feedback components (Rtop, Ctop, Rbot) should be located as close as possible to the FB pin. For the ground connection to Rbot, use a via to a ground plane and place another via near the A1 (GND) pin of the IC. Do not place a via between the GND pins of CIN and the SC21150.

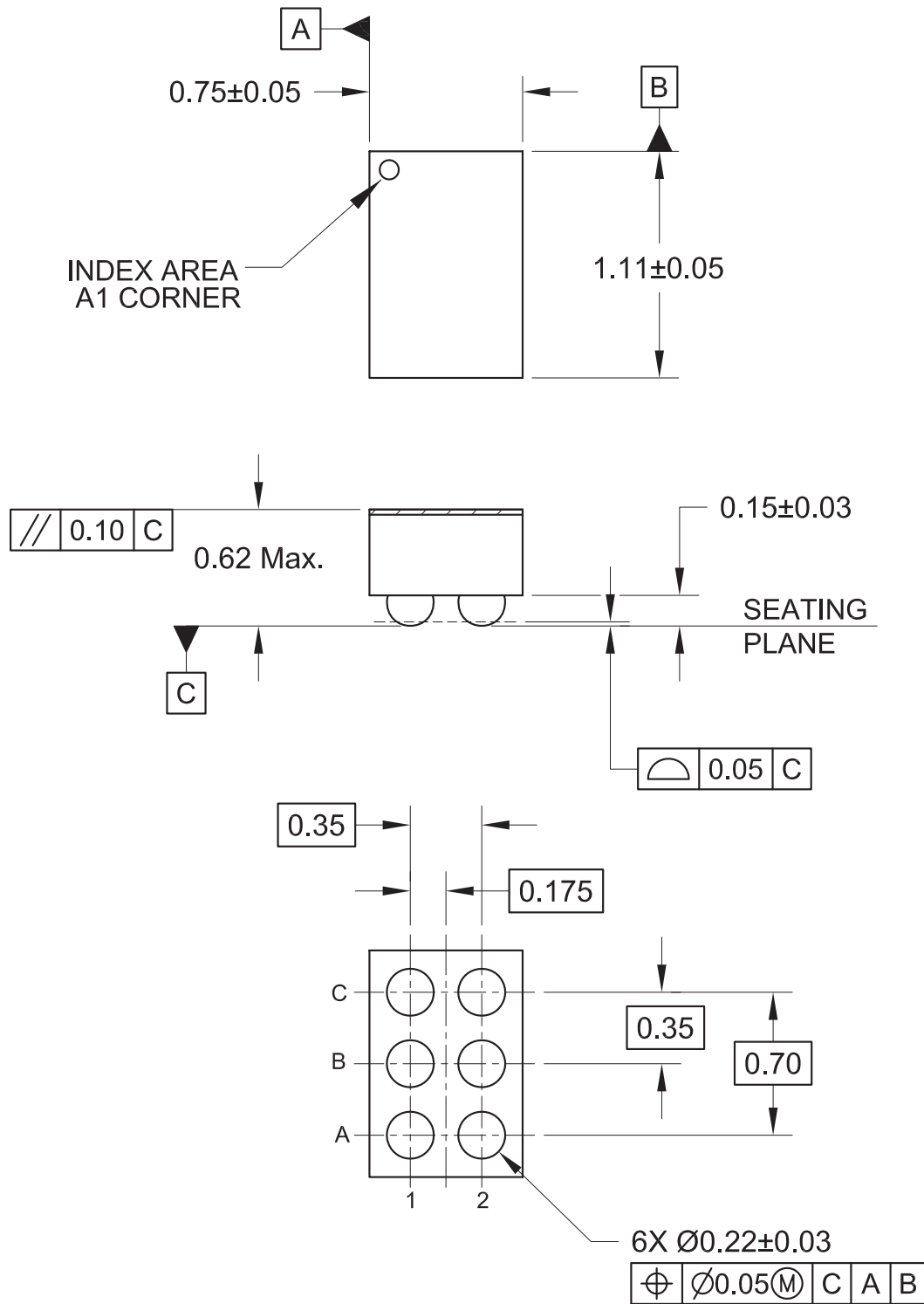
The FB trace should be short and not routed near noise signals. Do not route the FB trace under the inductor; the high impedance of the FB circuit can pick up noise from the inductor’s magnetic field.



SC21150 - Fixed Output PCB Layout

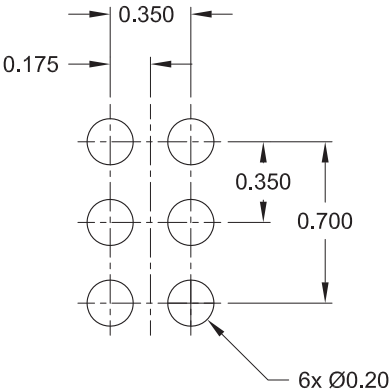


SC21150 - Adjustable Output PCB Layout

**Outline Drawing — 0.75 x 1.11mm 6-Bump WLCSP**

**NOTES:**

1. CONTROLLING DIMENSIONS ARE IN MILLIMETERS

Land Pattern — 0.75x1.11 6-Bump WLCSP



- NOTES:
- 1. CONTROLLING DIMENSIONS ARE IN MILLIMETERS
  - 2. THIS LAND PATTERN IS FOR REFERENCE PURPOSES ONLY. CONSULT YOUR MANUFACTURING GROUP TO ENSURE YOUR COMPANY'S MANUFACTURING GUIDELINES ARE MET.



©Semtech 2016

All rights reserved. Reproduction in whole or in part is prohibited without the prior written consent of the copyright owner. The information presented in this document does not form part of any quotation or contract, is believed to be accurate and reliable and may be changed without notice. No liability will be accepted by the publisher for any consequence of its use. Publication thereof does not convey nor imply any license under patent or other industrial or intellectual property rights. Semtech assumes no responsibility or liability whatsoever for any failure or unexpected operation resulting from misuse, neglect improper installation, repair or improper handling or unusual physical or electrical stress including, but not limited to, exposure to parameters beyond the specified maximum ratings or operation outside the specified range.

SEMTECH PRODUCTS ARE NOT DESIGNED, INTENDED, AUTHORIZED OR WARRANTED TO BE SUITABLE FOR USE IN LIFE-SUPPORT APPLICATIONS, DEVICES OR SYSTEMS OR OTHER CRITICAL APPLICATIONS. INCLUSION OF SEMTECH PRODUCTS IN SUCH APPLICATIONS IS UNDERSTOOD TO BE UNDERTAKEN SOLELY AT THE CUSTOMER'S OWN RISK. Should a customer purchase or use Semtech products for any such unauthorized application, the customer shall indemnify and hold Semtech and its officers, employees, subsidiaries, affiliates, and distributors harmless against all claims, costs damages and attorney fees which could arise.

Notice: All referenced brands, product names, service names and trademarks are the property of their respective owners.

## Contact Information

---

Semtech Corporation  
Power Management Products Division  
200 Flynn Road, Camarillo, CA 93012  
Phone: (805) 498-2111 Fax: (805) 498-3804

[www.semtech.com](http://www.semtech.com)

Компания «Океан Электроники» предлагает заключение долгосрочных отношений при поставках импортных электронных компонентов на взаимовыгодных условиях!

Наши преимущества:

- Поставка оригинальных импортных электронных компонентов напрямую с производств Америки, Европы и Азии, а так же с крупнейших складов мира;
- Широкая линейка поставок активных и пассивных импортных электронных компонентов (более 30 млн. наименований);
- Поставка сложных, дефицитных, либо снятых с производства позиций;
- Оперативные сроки поставки под заказ (от 5 рабочих дней);
- Экспресс доставка в любую точку России;
- Помощь Конструкторского Отдела и консультации квалифицированных инженеров;
- Техническая поддержка проекта, помощь в подборе аналогов, поставка прототипов;
- Поставка электронных компонентов под контролем ВП;
- Система менеджмента качества сертифицирована по Международному стандарту ISO 9001;
- При необходимости вся продукция военного и аэрокосмического назначения проходит испытания и сертификацию в лаборатории (по согласованию с заказчиком);
- Поставка специализированных компонентов военного и аэрокосмического уровня качества (Xilinx, Altera, Analog Devices, Intersil, Interpoint, Microsemi, Actel, Aeroflex, Peregrine, VPT, Syfer, Eurofarad, Texas Instruments, MS Kennedy, Miteq, Cobham, E2V, MA-COM, Hittite, Mini-Circuits, General Dynamics и др.);

Компания «Океан Электроники» является официальным дистрибьютором и эксклюзивным представителем в России одного из крупнейших производителей разъемов военного и аэрокосмического назначения «JONHON», а так же официальным дистрибьютором и эксклюзивным представителем в России производителя высокотехнологичных и надежных решений для передачи СВЧ сигналов «FORSTAR».



## JONHON

«JONHON» (основан в 1970 г.)

Разъемы специального, военного и аэрокосмического назначения:

(Применяются в военной, авиационной, аэрокосмической, морской, железнодорожной, горно- и нефтедобывающей отраслях промышленности)

«FORSTAR» (основан в 1998 г.)

ВЧ соединители, коаксиальные кабели, кабельные сборки и микроволновые компоненты:

(Применяются в телекоммуникациях гражданского и специального назначения, в средствах связи, РЛС, а так же военной, авиационной и аэрокосмической отраслях промышленности).



Телефон: 8 (812) 309-75-97 (многоканальный)

Факс: 8 (812) 320-03-32

Электронная почта: [ocean@oceanchips.ru](mailto:ocean@oceanchips.ru)

Web: <http://oceanchips.ru/>

Адрес: 198099, г. Санкт-Петербург, ул. Калинина, д. 2, корп. 4, лит. А