

K70 Enclosure Series



The K70 series enclosures are small to medium in size and offer cost effective solutions for many applications.

They can accommodate 8 to 32 terminals for field wire connections. Pressure plate terminals are standard with both the fixed and pluggable versions.

MATERIALS

Housing

Housing Shell: ABS

Housing Cover: Polycarbonate, 10% Glass Filled

Terminals

Pressure Plate: Chromated Steel

Terminal Screw: Chromated Steel

Connector Contact: Tin Plated Bronze

Temperature Range: 60°C (140°F) UL94VO

Standard Color: Light Gray

PROTECTION

K70 enclosures have an IP10 rating (hand protected). By using optional terminal covers the protection rating can be increased to IP20 (finger protected). VBG4 and other European accident prevention requirements are met.

CONSTRUCTION

The K70 enclosures are supplied as unassembled kits. Each kit consists of a housing shell and a snap-on cover, complete with integral terminals and terminal-to-board connection provisions. Integral printed circuit board guides are molded into the housing shell to save time when inserting boards, to prevent misconnections and to keep the boards in place. Integral tabs on the bottom of the shell further help to hold the boards in place and eliminate lateral movement and warpage.

Printed circuit boards can be mounted in three ways:

- Vertically
- Horizontally
- Behind the Front Cover

Boards can be placed vertically (perpendicular to the DIN rail) and/or horizontally (parallel with the DIN rail). Enclosures with plug-in covers can accept an additional board mounted directly behind the front cover. This board is ideal for mounting indicating devices such as LEDs, LCDs for monitoring, switches and potentiometers for setting and adjusting purposes. The housing cover snaps onto the housing shell. Two tabs lock the cover firmly in place. Removal of the cover is possible for service and repair. Potting is possible.



The K70 housing covers have external and internal barriers between terminals to increase creepage distance and to help prevent accidental touching of live potentials that may be present. Optional terminal covers that decrease the size of the opening are available as accessories.

TERMINALS

Pressure Plate terminals with either fixed or pluggable terminal-to-board connections are offered in the K70 enclosures. The pressure plate, which is captive to the terminal screw, automatically rises when the screw is loosened. One or two wires of equal or different sizes up to 2.5mm² (14 AWG) can be terminated in each terminal. The grooved corners of the pressure plate ensure positive wire retention. The flat bottom of the terminal extends to the inside of the enclosure and provides the terminal-to-board connection. The terminal screws can be turned by a flat tip or a #2 Phillips screwdriver.

Upon request, terminals can be loaded in selected positions only.



TERMINAL-TO-BOARD CONNECTIONS

The K70 series offers fixed and pluggable terminal-to-board connection possibilities.

Fixed Connections

Fixed terminal-to-board connections can be made by Wire Jumper, Fast On tabs or Machine Solderable Pins (K7022.5C only).

Fast On tabs, (2.8 x 0.8 mm) accept industry standard Fast On connectors crimped onto wire jumpers.

Wire Jumper connections can also be made by soldering a wire jumper between the center holes of the Fast On tab and the printed circuit board(s).

Machine Solderable Pins (offered only with type K7022.5C) can be removed from the enclosure and machine soldered to the board in the same step as other components, saving assembly time.

Pluggable Connections

Pluggable terminal-to-board connections are made by using **Card Edge** connectors. They are an integral part of the covers of K7075P, K70100P and K70150P and plug directly onto the board(s). **Solder Pins** are also provided in these enclosures for terminal-to-board connections when mounting an additional board directly behind the front cover. A **Wire Jumper** can be soldered to these pins as well.



For better retention, the plug-in type covers have captive screws at the corners that insert into brass bushings, molded into the housing shell. The pluggable versions are ideal whenever quick connections and replacement are important. They also reduce the danger of misconnected wires and downtime.

MOUNTING

The K70 Enclosures mount easily by snapping onto standard 35mm DIN Rail. Many can also be panel mounted using corner mounting holes which accept two M4 or M5 (#6 or #10) screws. These mounting holes are molded into two corners of the housing shell base and do not increase the height or width of the enclosure, thus insuring a compact, high density arrangement when multiple enclosures are installed adjacent to each other. Enclosure types K7022.5A, K7022.5B and K7022.5C have two integral pull-out tabs on the base of the enclosure for panel mounting. (Refer to Enclosure Mounting Procedures on page 19.)

MARKING

The K70 enclosures have an area on the front of the cover for marking and mounting of components such as switches, potentiometers, LEDs or LCD indicators. Custom imprinted plates can be inserted as well, allowing imprinting of plates separate from the enclosure, reducing cost and delays.

ACCESSORIES

- 35 x 7.5 mm DIN Rail
- Terminal Covers
- Pull-Out Panel Mounting Tabs.



CUSTOMIZATION

Enclosures can be customized with cutouts and holes for potentiometers, switches, LEDs, LCDs and other devices. Using state of the art machining, we can punch, drill or cut to your most exacting specifications. Custom colors and special markings are also available. Please let us know what your requirements are.



K70 Enclosure Series

8 Terminal Solder/Tab Connection



TECHNICAL INFORMATION

Electrical: 25A, 300V, 24-14 AWG	Terminal Type: Pressure Plate
Housing Material: ABS	Terminal Screw Size: M2.5
Cover Material: Glass-filled Polycarbonate	Recommended Torque: 0.8Nm
Temperature Range: Up to 60°C (140°F)	PCB Locations: (2) Vertical
Flammability Rating: UL94 V-O	Mounting: 35mm DIN Rail or panel mount
Color: Light Gray	

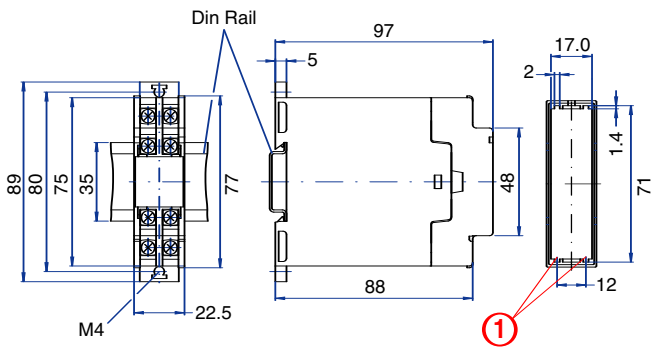
ORDERING INFORMATION

Part Number	Type	Description	PCB Connection
90.001	K7022.5A	Double Level Terminals	Wire Jumper/ Fast On

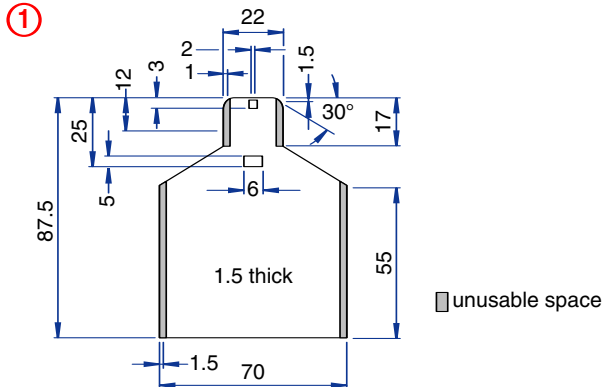
ACCESSORIES

Accessories	Part Number	Type
DIN Rail	2511120/1M	TS35x7.5/1M
Terminal Covers*	90.001.1/90.001.2	K7022.5A/TC1,TC2

ENCLOSURE DRAWING (To convert to inches divide by 25.4.)



PCB DRAWING (To convert to inches divide by 25.4.)



* Note: Need one of each Terminal Cover.

10 Terminal Solder/Tab Connection



TECHNICAL INFORMATION

Electrical: 25A, 300V, 22-14 AWG	Terminal Type: Pressure Plate
Housing Material: ABS	Terminal Screw Size: M3.5
Cover Material: Glass-filled Polycarbonate	Recommended Torque: 0.8Nm
Temperature Range: Up to 60°C (140°F)	PCB Locations: (10) Vertical
Flammability Rating: UL94 V-O	Mounting: 35mm DIN Rail or panel mount
Color: Light Gray	

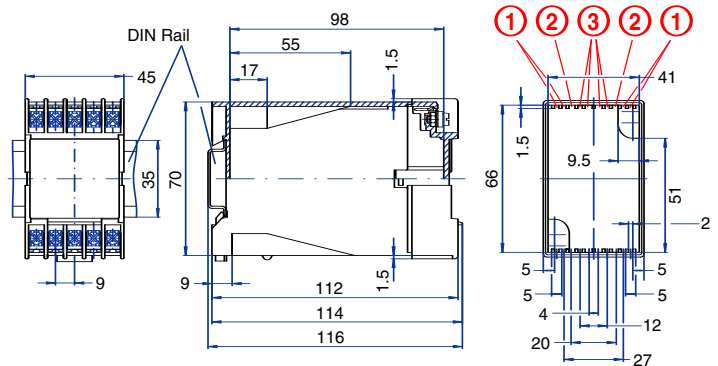
ORDERING INFORMATION

Part Number	Type	Description	PCB Connection
90.010	K7045C	Single Level Terminals	Wire Jumper/ Fast On

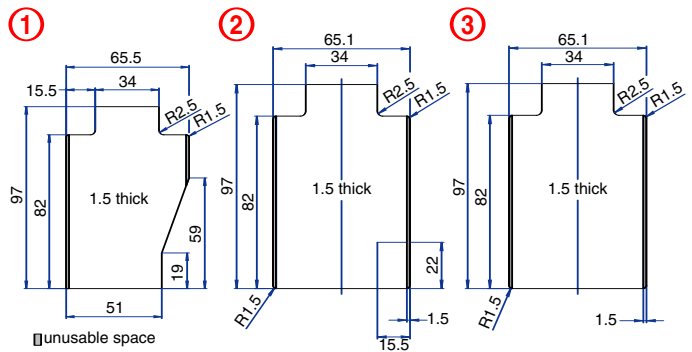
ACCESSORIES

Accessories	Part Number	Type
DIN Rail	2511120/1M	TS35x7.5/1M
Terminal Cover**	90.010.1	K7045C/TC1

ENCLOSURE DRAWING (To convert to inches divide by 25.4.)



PCB DRAWING (To convert to inches divide by 25.4.)



** Note: One piece Terminal Cover covers both sides.

12 Terminal Solder/Tab Connection



TECHNICAL INFORMATION

Electrical: 20A, 300V, 24-14 AWG	Terminal Type: Pressure Plate
Housing Material: ABS	Terminal Screw Size: M2.5
Cover Material: Glass-filled Polycarbonate	Recommended Torque: 0.8Nm
Temperature Range: Up to 60°C (140°F)	PCB Locations: (2) Vertical
Flammability Rating: UL94 V-O	Mounting: 35mm DIN Rail or panel mount
Color: Light Gray	

ORDERING INFORMATION

Part Number	Type	Description	PCB Connection
90.020	K7022.5B	Double Level Terminals	Wire Jumper/ Fast On

ACCESSORIES

Accessories	Part Number	Type
DIN Rail	2511120/1M	TS35x7.5/1M
Terminal Covers*	90.020.1/90.020.2	K7022.5BTC1/TC2

ENCLOSURE DRAWING (To convert to inches divide by 25.4.)



PCB DRAWING (To convert to inches divide by 25.4.)



* Note: Need one of each Terminal Cover.

12 Terminal Solder Connection



TECHNICAL INFORMATION

Electrical: 20A, 300V, 22-14 AWG	Terminal Type: Pressure Plate
Housing Material: ABS	Terminal Screw Size: M3.5
Cover Material: Glass-filled Polycarbonate	Recommended Torque: 0.8Nm
Temperature Range: Up to 60°C (140°F)	PCB Locations: (2) Vertical
Flammability Rating: UL94 V-O	Mounting: 35mm DIN Rail or panel mount
Color: Light Gray	

ORDERING INFORMATION

Part Number	Type	Description	PCB Connection
90.030	K7022.5C	Shrouded Double Level Terminals	Wire Jumper/ Machine Solderable Pins

ACCESSORIES

Accessories	Part Number	Type
DIN Rail	2511120/1M	TS35x7.5/1M

ENCLOSURE DRAWING (To convert to inches divide by 25.4.)



PCB DRAWING (To convert to inches divide by 25.4.)



K70 Enclosure Series

12 Terminal Solder/Tab Connection



TECHNICAL INFORMATION

Electrical: 25A, 300V, 22-14 AWG	Terminal Type: Pressure Plate
Housing Material: ABS	Terminal Screw Size: M3.5
Cover Material: Glass-filled Polycarbonate	Recommended Torque: 0.8Nm
Temperature Range: Up to 60°C (140°F)	PCB Locations: (5) Vertical (1) Behind Cover
Flammability Rating: UL94 V-O	Mounting: 35mm DIN Rail
Color: Light Gray	

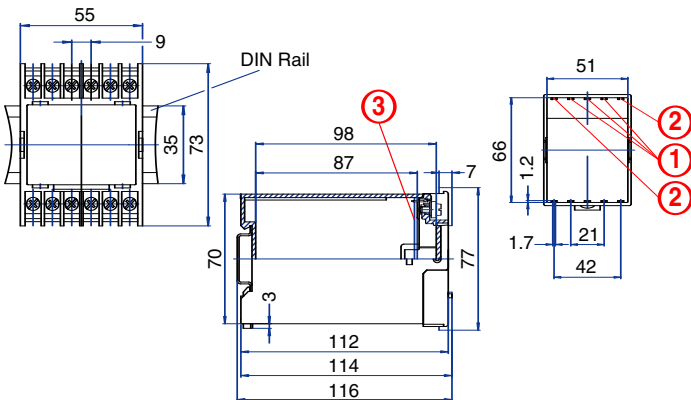
ORDERING INFORMATION

Part Number	Type	Description	PCB Connection
90.040	K7055	Single Level Terminals	Wire Jumper/ Fast On

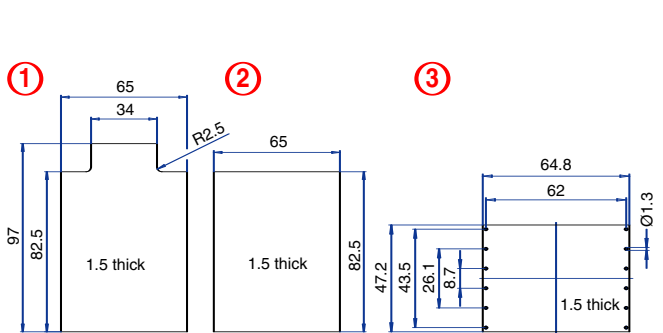
ACCESSORIES

Accessories	Part Number	Type
DIN Rail	2511120/1M	TS35x7.5/1M
Terminal Covers*	90.040.1	K7055/TC1

ENCLOSURE DRAWING (To convert to inches divide by 25.4.)



PCB DRAWING (To convert to inches divide by 25.4.)



* Note: Need two Terminal Covers.

16 Terminal Pluggable Connection



TECHNICAL INFORMATION

Electrical: 10A, 300V, 22-14 AWG	Terminal Type: Pressure Plate
Housing Material: ABS	Terminal Screw Size: M3.5
Cover Material: Glass-filled Polycarbonate	Recommended Torque: 0.8Nm
Temperature Range: Up to 60°C (140°F)	PCB Locations: (7) Vertical (6) Horizontal (1) Behind Cover
Flammability Rating: UL94 V-O	Mounting: 35mm DIN Rail or panel mount
Color: Light Gray	

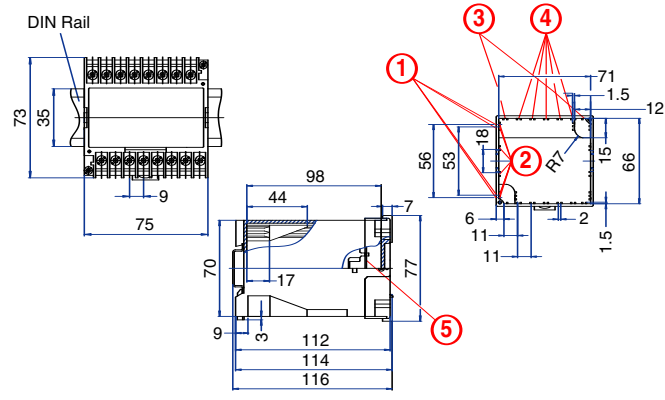
ORDERING INFORMATION

Part Number	Type	Description	PCB Connection
90.050	K7075P	Single Level Terminals	Wire Jumper/ Solder Pin/ Card Edge

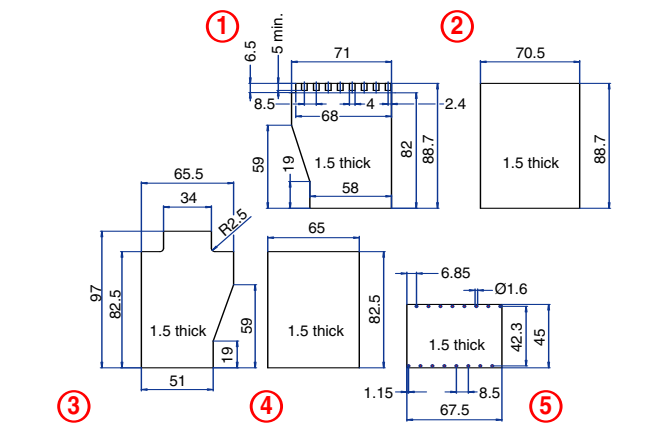
ACCESSORIES

Accessories	Part Number	Type
DIN Rail	2511120/1M	TS35x7.5/1M
Terminal Cover*	90.050.1	K7075P/TC1

ENCLOSURE DRAWING (To convert to inches divide by 25.4.)



PCB DRAWING (To convert to inches divide by 25.4.)



* Note: Need two Terminal Covers.

16 Terminal

Pluggable Connection
(DIN Rail Mount Only)



TECHNICAL INFORMATION

Electrical: 10A, 300V, 22-14 AWG	Terminal Type: Pressure Plate
Housing Material: ABS	Terminal Screw Size: M3.5
Cover Material: Glass-filled Polycarbonate	Recommended Torque: 0.8Nm
Temperature Range: Up to 60°C (140°F)	PCB Locations: (7) Vertical (6) Horizontal (1) Behind Cover
Flammability Rating: UL94 V-O	Mounting: 35mm DIN Rail
Color: Light Gray	

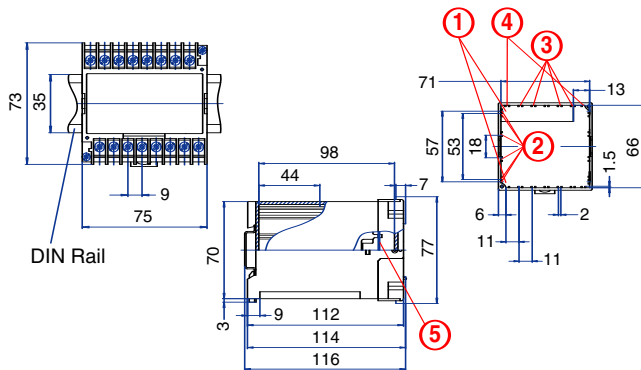
ORDERING INFORMATION

Part Number	Type	Description	PCB Connection
90.050.5	K7075P	Single Level Terminals	Wire Jumper/ Solder Tab/ Card Edge

ACCESSORIES

Accessories	Part Number	Type
DIN Rail	2511120/1M	TS35x7.5/1M
Terminal Covers*	90.050.1	K7075P/TC1

ENCLOSURE DRAWING (To convert to inches divide by 25.4.)



PCB DRAWING (To convert to inches divide by 25.4.)



* Note: Need two Terminal Covers.

20 Terminal

Solder/Tab Connection



TECHNICAL INFORMATION

Electrical: 25A, 300V, 22-14 AWG	Terminal Type: Pressure Plate
Housing Material: ABS	Terminal Screw Size: M3.5
Cover Material: Glass-filled Polycarbonate	Recommended Torque: 0.8Nm
Temperature Range: Up to 60°C (140°F)	PCB Locations: (10) Vertical
Flammability Rating: UL94 V-O	Mounting: 35mm DIN Rail or panel mount
Color: Light Gray	

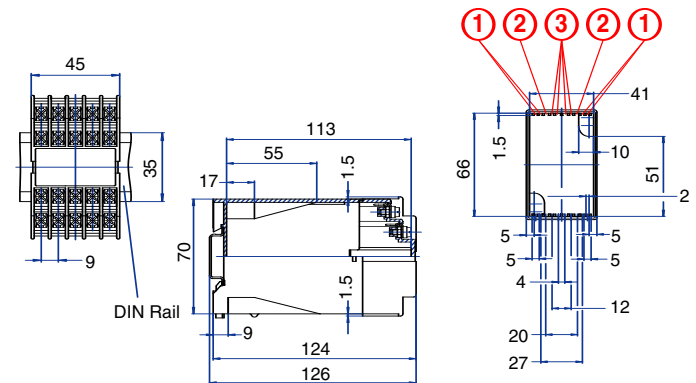
ORDERING INFORMATION

Part Number	Type	Description	PCB Connection
90.060	K7045D1	Double Level Terminals	Wire Jumper/ Fast On

ACCESSORIES

Accessories	Part Number	Type
DIN Rail	2511120/1M	TS35x7.5/1M

ENCLOSURE DRAWING (To convert to inches divide by 25.4.)



PCB DRAWING (To convert to inches divide by 25.4.)



K70 Enclosure Series

20 Terminal Solder/Tab Connection



TECHNICAL INFORMATION

Electrical: 25A, 300V, 22-14 AWG	Terminal Type: Pressure Plate
Housing Material: ABS	Terminal Screw Size: M3.5
Cover Material: Glass-filled Polycarbonate	Recommended Torque: 0.8Nm
Temperature Range: Up to 60°C (140°F)	PCB Locations: (10) Vertical
Flammability Rating: UL94 V-O	Mounting: 35mm DIN Rail or panel mount
Color: Light Gray	

ORDERING INFORMATION

Part Number	Type	Description	PCB Connection
90.070	K7045D2	Shrouded Double Level Terminals	Wire Jumper/ Fast On

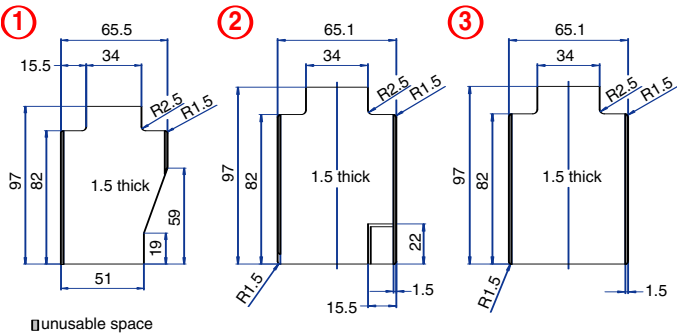
ACCESSORIES

Accessories	Part Number	Type
DIN Rail	2511120/1M	TS35x7.5/1M
Terminal Covers*		

ENCLOSURE DRAWING (To convert to inches divide by 25.4.)



PCB DRAWING (To convert to inches divide by 25.4.)



* Note: Integral Terminal Covers.

20 Terminal Solder/Tab Connection



TECHNICAL INFORMATION

Electrical: 25A, 300V, 22-14 AWG	Terminal Type: Pressure Plate
Housing Material: ABS	Terminal Screw Size: M3.5
Cover Material: Glass-filled Polycarbonate	Recommended Torque: 0.8Nm
Temperature Range: Up to 60°C (140°F)	PCB Locations: (4) Vertical (6) Horizontal
Flammability Rating: UL94 V-O	Mounting: 35mm DIN Rail or panel mount
Color: Light Gray	

ORDERING INFORMATION

Part Number	Type	Description	PCB Connection
90.080	K70100A	Single Level Terminals	Wire Jumper/ Fast On

ACCESSORIES

Accessories	Part Number	Type
DIN Rail	2511120/1M	TS35x7.5/1M
Terminal Cover**	90.080.1	K70100/TC1

ENCLOSURE DRAWING (To convert to inches divide by 25.4.)



PCB DRAWING (To convert to inches divide by 25.4.)



** Note: Need two Terminal Covers.

20 Terminal Pluggable Connection



TECHNICAL INFORMATION

Electrical: 10A, 300V, 22-14 AWG	Terminal Type: Pressure Plate
Housing Material: ABS	Terminal Screw Size: M3.5
Cover Material: Glass-filled Polycarbonate	Recommended Torque: 0.8Nm
Temperature Range: Up to 60°C (140°F)	PCB Locations (4) Vertical (6) Horizontal
Flammability Rating: UL94 V-O	(1) Behind Cover
Color: Light Gray	Mounting: 35mm DIN Rail or panel mount

ORDERING INFORMATION

Part Number	Type	Description	PCB Connection
90.090	K70100P	Single Level Terminals	Wire Jumper/ Solder Pin/ Card Edge

ACCESSORIES

Accessories	Part Number	Type
DIN Rail	2511120/1M	TS35x7.5/1M
Terminal Covers*	90.080.1	K70100/TC1

ENCLOSURE DRAWING (To convert to inches divide by 25.4.)



PCB DRAWING (To convert to inches divide by 25.4.)



* Note: Need two Terminal Covers.

32 Terminal Pluggable Connection



TECHNICAL INFORMATION

Electrical: 10A, 300V, 22-14 AWG	Terminal Type: Pressure Plate
Housing Material: ABS	Terminal Screw Size: M3.5
Cover Material: Glass-filled Polycarbonate	Recommended Torque: 0.8Nm
Temperature Range: Up to 60°C (140°F)	PCB Locations (9) Vertical (6) Horizontal
Flammability Rating: UL94 V-O	(1) Behind Cover
Color: Light Gray	Mounting: 35mm DIN Rail or panel mount

ORDERING INFORMATION

Part Number	Type	Description	PCB Connection
90.100	K70150P	Single Level Terminals	Wire Jumper/ Solder Pin/ Card Edge

ACCESSORIES

Accessories	Part Number	Type
DIN Rail	2511120/1M	TS35x7.5/1M
Terminal Cover*	90.100.1	K70150P/TC1

ENCLOSURE DRAWING (To convert to inches divide by 25.4.)



PCB DRAWING (To convert to inches divide by 25.4.)



* Note: Need two Terminal Covers.

KO4070 Enclosure Series



Economical, compact KO4070 enclosures are supplied as easy to assemble kits. They are ideal for housing I/O circuits, relays, timers and other small devices. Each kit consists of two identical housing half shells and 4 to 16 machine solderable terminals with standard or extended length pins.

MATERIALS

Housing Shell: Polycarbonate, 10% Glass Filled
Terminal: Tinned Bronze
Terminal Screw: Chromated Steel

Temperature Rating:

125°C (257°F) UL94 VO
Standard Color: Light Gray

PROTECTION

KO4070 enclosures have an IP20 rating (finger protected) and meet VBG4 and other European accident prevention requirements.

CONSTRUCTION

The KO4070 enclosures consist of two housing shells that snap together, and sectional, snap-together terminals. The maximum preassembled number of terminals are part of the enclosure kit. Potting is not recommended. Enclosures with removable center cover sections are available upon request.

BOARD PLACEMENT

Each enclosure can accept two boards, each up to 1.5mm (.0625 in.) thick, inserted vertically (parallel to the DIN rail) facing the terminals. These boards can be machine soldered to the terminals. Enclosure types KO4074 through KO4079, accept larger boards that can be screwed to the sidewalls of the housing shells (vertically, perpendicular to the DIN rail) using molded-in standoffs and 2 screws. Boards mounted on the sides can be 1mm (.04 in.) thick and require a wire jumper connection.

TERMINALS

Box clamp design terminal blocks are used with the KO4070 series enclosures. Wire(s) to be terminated are squeezed between the bottom of the clamp and the busbar for reliable, gastight connections. The terminal blocks can be machine soldered to the board in the same step as the other components to save time and labor. Enclosures with extended length pins are available to increase enclosure cavity for large components. All terminals have funnel shaped wire openings to eliminate wire fraying. The terminal screws can be turned with a flat tip or a #1 or #2 Philips screwdriver.

MOUNTING

The KO4070 series have integral mounting feet that snap onto standard 35mm DIN rail. They cannot be panel mounted.

MARKING

Silk screen or attach label to the face of the enclosure.



4 Terminal



TECHNICAL INFORMATION

Electrical:
16A, 300V, 22-12 AWG

Housing Material:
Glass-filled Polycarbonate

Temperature Range:
Up to 125°C (257°F)

Flammability Rating:
UL94 V-O

Color:
Light Gray

Terminal Type:
Box Clamp

Terminal Screw Size:
M3.5

Recommended Torque:
0.8Nm

PCB Locations:
(2) Vertical, Parallel

Mounting:
35mm DIN Rail

ORDERING INFORMATION

Part Number	Type	Description	PCB Connection
91.001	KO4071	Standard Length Pins	Solder Pins

ACCESSORIES

Accessories	Part Number	Type
1 Meter DIN Rail	2511120/1M	TS35x7.5/1M

ENCLOSURE DRAWING (To convert to inches divide by 25.4.)



PCB DRAWING (To convert to inches divide by 25.4.)



6 Terminal



TECHNICAL INFORMATION

Electrical:
16A, 300V, 22-12 AWG

Housing Material:
Glass-filled Polycarbonate

Temperature Range:
Up to 125°C (257°F)

Flammability Rating:
UL94 V-O

Color:
Light Gray

Terminal Type:
Box Clamp

Terminal Screw Size:
M3.5

Recommended Torque:
0.8Nm

PCB Locations:
(2) Vertical, Parallel

Mounting:
35mm DIN Rail

ORDERING INFORMATION

Part Number	Type	Description	PCB Connection
91.010	KO4072	Standard Length Pins	Solder Pins

ACCESSORIES

Accessories	Part Number	Type
1 Meter DIN Rail	2511120/1M	TS35x7.5/1M

ENCLOSURE DRAWING (To convert to inches divide by 25.4.)



PCB DRAWING (To convert to inches divide by 25.4.)



KO4070 Enclosure Series

6 Terminal



TECHNICAL INFORMATION

Electrical:
16A, 300V, 22-12 AWG

Housing Material:
Glass-filled Polycarbonate

Temperature Range:
Up to 125°C (257°F)

Flammability Rating:
UL94 V-O

Color:
Light Gray

Terminal Type:
Box Clamp

Terminal Screw Size:
M3.5

Recommended Torque:
0.8Nm

PCB Locations:
(1) Vertical, Perpendicular
(2) Vertical, Parallel

Mounting:
35mm DIN Rail

ORDERING INFORMATION

Part Number	Type	Description	PCB Connection
91.020	KO4074	Standard Length Pins	Solder Pins

ACCESSORIES

Accessories	Part Number	Type
1 Meter DIN Rail	2511120/1M	TS35x7.5/1M

ENCLOSURE DRAWING (To convert to inches divide by 25.4.)



PCB DRAWING (To convert to inches divide by 25.4.)



8 Terminal



TECHNICAL INFORMATION

Electrical:
16A, 300V, 22-12 AWG

Housing Material:
Glass-filled Polycarbonate

Temperature Range:
Up to 125°C (257°F)

Flammability Rating:
UL94 V-O

Color:
Light Gray

Terminal Type:
Box Clamp

Terminal Screw Size:
M3.5

Recommended Torque:
0.8Nm

PCB Locations:
(2) Vertical, Parallel

Mounting:
35mm DIN Rail

ORDERING INFORMATION

Part Number	Type	Description	PCB Connection
91.030	KO4073	Standard Length Pins	Solder Pins

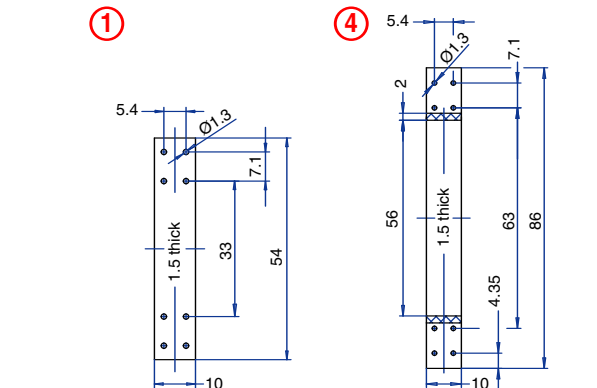
ACCESSORIES

Accessories	Part Number	Type
1 Meter DIN Rail	2511120/1M	TS35x7.5/1M

ENCLOSURE DRAWING (To convert to inches divide by 25.4.)



PCB DRAWING (To convert to inches divide by 25.4.)



8 Terminal



TECHNICAL INFORMATION

Electrical:
16A, 300V, 22-12 AWG

Housing Material:
Glass-filled Polycarbonate

Temperature Range:
Up to 125°C (257°F)

Flammability Rating:
UL94 V-O

Color:
Light Gray

Terminal Type:
Box Clamp

Terminal Screw Size:
M3.5

Recommended Torque:
0.8Nm

PCB Locations:
(2) Vertical, Perpendicular
(2) Vertical, Parallel

Mounting:
35mm DIN Rail

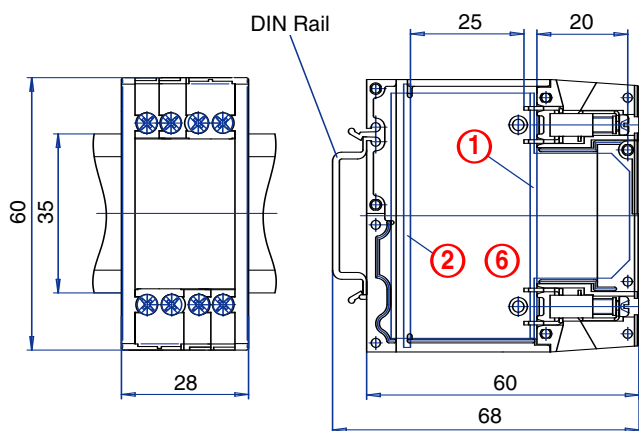
ORDERING INFORMATION

Part Number	Type	Description	PCB Connection
91.040	KO4077	Standard Length Pins	Solder Pins

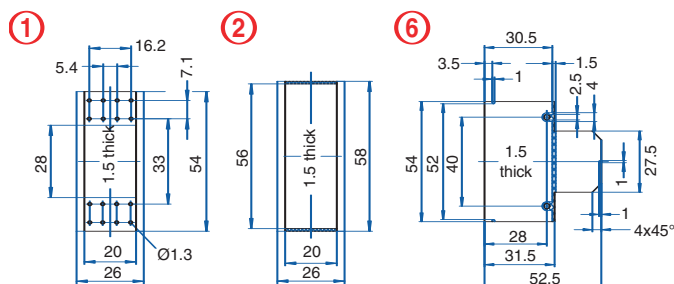
ACCESSORIES

Accessories	Part Number	Type
1 Meter DIN Rail	2511120/1M	TS35x7.5/1M

ENCLOSURE DRAWING (To convert to inches divide by 25.4.)



PCB DRAWING (To convert to inches divide by 25.4.)



9 Terminal



TECHNICAL INFORMATION

Electrical:
16A, 300V, 22-12 AWG

Housing Material:
Glass-filled Polycarbonate

Temperature Range:
Up to 125°C (257°F)

Flammability Rating:
UL94 V-O

Color:
Light Gray

Terminal Type:
Box Clamp

Terminal Screw Size:
M3.5

Recommended Torque:
0.8Nm

PCB Locations:
(1) Vertical, Perpendicular
(2) Vertical, Parallel

Mounting:
35mm DIN Rail

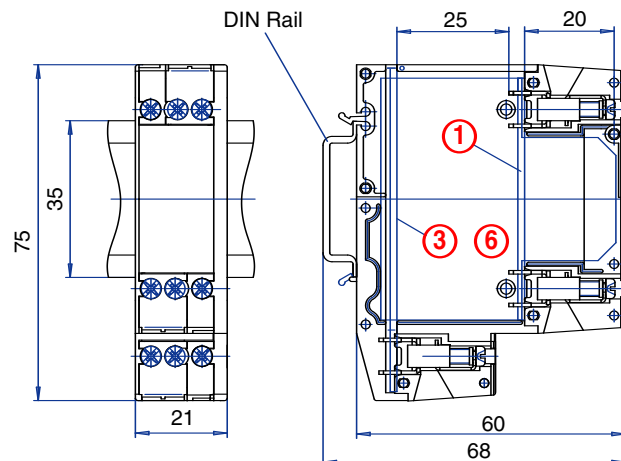
ORDERING INFORMATION

Part Number	Type	Description	PCB Connection
91.050	KO4075	Standard Length Pins	Solder Pins

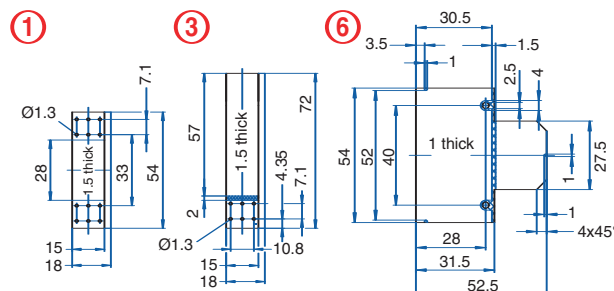
ACCESSORIES

Accessories	Part Number	Type
1 Meter DIN Rail	2511120/1M	TS35x7.5/1M

ENCLOSURE DRAWING (To convert to inches divide by 25.4.)



PCB DRAWING (To convert to inches divide by 25.4.)



KO4070 Enclosure Series

12 Terminal



TECHNICAL INFORMATION

Electrical:
16A, 300V, 22-12 AWG

Housing Material:
Glass-filled Polycarbonate

Temperature Range:
Up to 125°C (257°F)

Flammability Rating:
UL94 V-O

Color:
Light Gray

Terminal Type:
Box Clamp

Terminal Screw Size:
M3.5

Recommended Torque:
0.8Nm

PCB Locations:
(1) Vertical, Perpendicular
(2) Vertical, Parallel

Mounting:
35mm DIN Rail

ORDERING INFORMATION

Part Number	Type	Description	PCB Connection
91.060	KO4076	Standard Length Pins	Solder Pins

ACCESSORIES

Accessories	Part Number	Type
1 Meter DIN Rail	2511120/1M	TS35x7.5/1M

ENCLOSURE DRAWING (To convert to inches divide by 25.4.)



PCB DRAWING (To convert to inches divide by 25.4.)



12 Terminal



TECHNICAL INFORMATION

Electrical:
16A, 300V, 22-12 AWG

Housing Material:
Glass-filled Polycarbonate

Temperature Range:
Up to 125°C (257°F)

Flammability Rating:
UL94 V-O

Color:
Light Gray

Terminal Type:
Box Clamp

Terminal Screw Size:
M3.5

Recommended Torque:
0.8Nm

PCB Locations:
(2) Vertical, Perpendicular
(2) Vertical, Parallel

Mounting:
35mm DIN Rail

ORDERING INFORMATION

Part Number	Type	Description	PCB Connection
91.070	KO4078	Standard Length Pins	Solder Pins

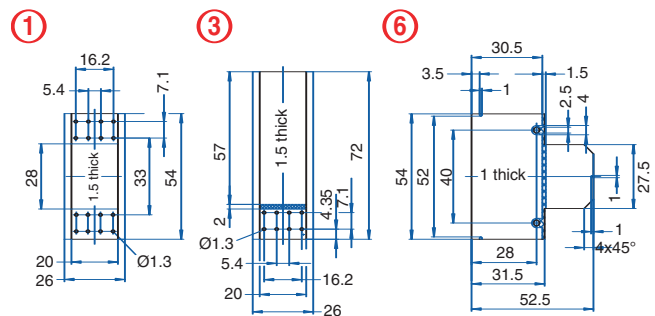
ACCESSORIES

Accessories	Part Number	Type
1 Meter DIN Rail	2511120/1M	TS35x7.5/1M

ENCLOSURE DRAWING (To convert to inches divide by 25.4.)



PCB DRAWING (To convert to inches divide by 25.4.)



16 Terminal



TECHNICAL INFORMATION

Electrical:

16A, 300V, 22-12 AWG

Housing Material:

Glass-filled Polycarbonate

Temperature Range:

Up to 125°C (257°F)

Flammability Rating:

UL94 V-O

Color:

Light Gray

Terminal Type:

Box Clamp

Terminal Screw Size:

M3.5

Recommended Torque:

0.8Nm

PCB Locations:

(2) Vertical, Perpendicular

(2) Vertical, Parallel

Mounting:

35mm DIN Rail

ORDERING INFORMATION

Part Number	Type	Description	PCB Connection
91.080	KO4079	Standard Length Pins	Solder Pins

ACCESSORIES

Accessories	Part Number	Type
1 Meter DIN Rail	2511120/1M	TS35x7.5/1M

ENCLOSURE DRAWING (To convert to inches divide by 25.4.)



PCB DRAWING (To convert to inches divide by 25.4.)



KU4000 Enclosure Series



Versatile, compact enclosures are ideal for applications with space constraints and for mounting within large international style enclosures with 45mm (1.77 in.) cutouts, such as Altech's EK and AK series nonmetallic enclosures. Small to medium in size, KU4000 enclosures offer 8 to 64 terminals for field wire connections. Pressure plate or spring cage terminals are standard. The KU4000 series are equipped with double level terminals which provide a maximum number of external connections in a minimum amount of space. Standard enclosures are supplied as kits, containing the base, cover and the maximum number of terminals.

MATERIALS

Housing

Housing Shell: Polycarbonate, 10% Glass Filled
Base: Polycarbonate, 10% Glass Filled

Terminals

Terminal Pins: Tinned Steel
Pressure Plate: Chromated Steel
Terminal Screws: Chromated Steel
Spring Clamps: Stainless Steel

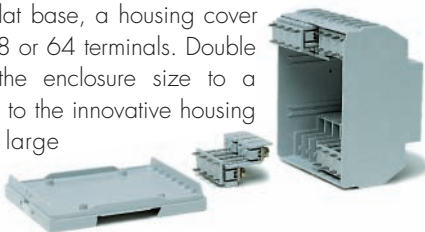
Temperature Rating: 110°C (230°F) UL94VO
Standard Color: Light Gray

PROTECTION

KU4000 enclosures have an IP20 rating (finger protected) and meet VBG4 and other European accident prevention requirements.

CONSTRUCTION

The KU4000 series housings are supplied as unassembled kits. Each kit consists of a flat base, a housing cover and 8, 16, 24, 32, 48 or 64 terminals. Double level terminals keep the enclosure size to a minimum, and yet, due to the innovative housing design, relatively large components can be mounted inside.



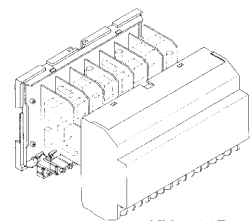
The terminals are machine solderable and have straight or right angle pins, depending on enclosure type (Type C has straight pins, Type B has right angle pins). We can also supply enclosures with fewer than the maximum number of terminals, please contact us with your requirements.

The KU4000 series are available in five widths, and are supplied with terminals in three standard positions:

- Terminals on top and bottom
- Terminals on one side only
- Terminals at both ends, the center area has no terminals.

Cover plugs are available as accessories and can be plugged into unused screw holes and wire entries. Plugs are offered as sets, consisting of one screw-hole cover and one wire entry cover (*Refer to Accessories in the Ordering Pages*).

Integral printed circuit board guides are molded into the housing cover to save time when inserting boards. They also prevent misconnections and keep the boards from moving.



KU4011B

Printed circuit boards can be mounted in three ways:

- Horizontally, parallel with the base
- Vertically, perpendicular to the base
- Vertically, parallel with the DIN rail

One large board can be mounted against the base of the enclosure (parallel with the base) using terminals with straight solder pins. Boards can also be mounted vertically (perpendicular to the base) by using terminals with right angle solder pins, or vertically (parallel with the DIN rail) by using a wire jumper connection. (*Refer to the Ordering Pages*).



KU4012C

The face of the cover is 45mm (1.77 in.) high, and can be mounted into standard DIN distribution systems which have 45mm cutouts like Altechs EK and AK series of industrial enclosures. Mount the KU4000 enclosures together with circuit breakers and other DIN rail mount devices which also meet the 45mm standard. Removal of the housing cover is possible for service and repair after disconnecting the wires. KU4000 covers cannot be potted without taking special steps.



EK Series Industrial Enclosure

TERMINALS

Pressure plate terminals are standard for the KU4000 enclosure and ensure a vibration proof connection. The pressure plate, which is captive to the terminal screw, automatically rises when the screw is loosened. One or two wires of equal or different sizes up to 2.5mm² (14 AWG) can be terminated in each terminal. The grooved corners of the pressure plate ensure positive retention of the wires. The flat bottom of the terminal extends to the inside of the enclosure and provides the terminal-to-board connection. The terminal screws can be turned by a flat tip or a #2 Philips screwdriver.

The KU4000 series is also available with spring cage terminals. The terminal is opened by applying pressure with a screwdriver to open the clamp. Once the wire is inserted, the screwdriver is removed, creating a vibration proof connection to the wire.

TERMINAL-TO-BOARD CONNECTIONS

The KU4000 series offers several fixed terminal-to-board connection possibilities. (Refer to the Ordering Pages for connection types.)



Wire Jumper connections can be made by soldering a wire jumper between the center hole of the right angle solder pins and the printed circuit board(s). Upon soldering, the board is installed into the enclosure complete with terminals and other components. All KU4000 terminals have Machine Solderable Pins, which can be machine soldered to the board(s) in the same step as the other components, saving assembly time.

MOUNTING

The KU4000 enclosures snap onto standard 35mm DIN rail or can be panel mounted. Mount one or several enclosures together, or mix them with other DIN rail mounted devices such as terminal blocks, circuit breakers, etc. The choice is yours.

MARKING

The KU4000 series have large marking areas on the front of the cover.

ACCESSORIES

- Cover Plugs for Screw Hole and Wire Entries
- Screws for Mounting Printed Circuit Board
- Pull-Out Panel Mounting Tabs
- 35mm DIN Rail

CUSTOMIZATION

We can supply the KU4000, series enclosure kits with the exact number of terminals to meet your requirements. Enclosures can also be customized with cutouts and holes. Custom colors and special markings are also available.



Enclosure Mounting Procedures

DIN Rail Mounting

The top of the enclosure base has notches molded onto the sides. The bottom of the base has one spring-loaded tab that is factory installed into a molded guide for DIN rail mounting.

When mounting, tilt the bottom of the enclosure slightly away from the rail until the notches grab onto the top flange of the DIN rail. Push the bottom of the enclosure forward towards the DIN rail. The spring-loaded tab will snap onto the bottom of the rail and hold the enclosure firmly in place.



To remove the enclosure from the DIN rail, insert a screwdriver into the exposed slot in the tab and pull the tab down. Pull enclosure forward and remove from the rail.

Panel Mounting

To mount enclosures on a panel or any flat surface, at least one tab must be in place on the top and on the bottom of the enclosure base in the panel mount position. Standard enclosures are supplied with one tab on the bottom for DIN rail mounting.

Install one or more additional tabs (*see Accessories in the Ordering Pages*) into molded tab guides on the back of the enclosure base. Move the pre-installed bottom tab from the DIN rail position to the panel mount position.

To move the tab, insert a screwdriver under the spring pin, lift it and pull the tab forward until it extends approximately 6mm (.25 in.) from the enclosure. Release pin and lock the tab in the panel mount position.

We can supply the enclosures already set up for panel mounting if desired. (*Please specify when ordering.*)

KU4000 Enclosure Series

8 Terminal

Vertical PCB
Screw Clamp



TECHNICAL INFORMATION

Electrical: 16A, 300V, 22-14 AWG
Housing Material: Glass-filled Polycarbonate
Temperature Range: Up to 125°C (257°F)
Flammability Rating: UL94 V-O
Color: Light Gray

Terminal Type: Screw / Pressure Plate
Terminal Screw Size: M3.5
Recommended Torque: 0.8Nm
Max. PCB's: (1) Vertical
Mounting: 35mm DIN Rail or optional panel mounting*

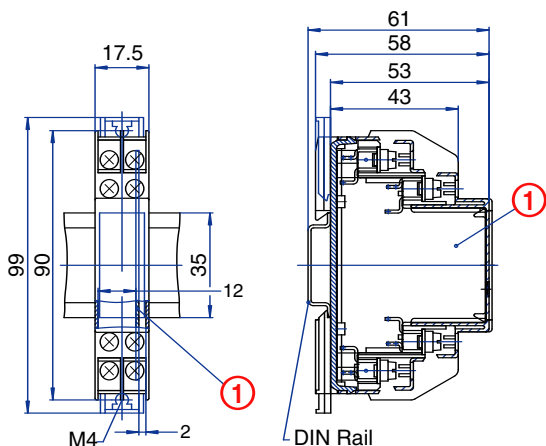
ORDERING INFORMATION

Part Number	Type	Description	PCB Connection
91.201	KU4001B	Right Angle Pins	Machine Solder/ Wire Jumper

ACCESSORIES

Accessories	Part Number	Type
1 Meter DIN Rail	2511120/1M	TS35x7.5/1M
Screw-hole and Wire-Entry Cover Plug Set	91.201.1	SHPC
*Panel Mount Tab	93.001.5	PMA/KU

ENCLOSURE DRAWING (To convert to inches divide by 25.4.)



PCB DRAWING (To convert to inches divide by 25.4.)



8 Terminal

Horizontal PCB
Screw Clamp



TECHNICAL INFORMATION

Electrical: 16A, 300V, 22-14 AWG
Housing Material: Glass-filled Polycarbonate
Temperature Range: Up to 125°C (257°F)
Flammability Rating: UL94 V-O
Color: Light Gray

Terminal Type: Screw / Pressure Plate
Terminal Screw Size: M3.5
Recommended Torque: 0.8Nm
Max. PCB's: (1) Horizontal
Mounting: 35mm DIN Rail or optional panel mounting*

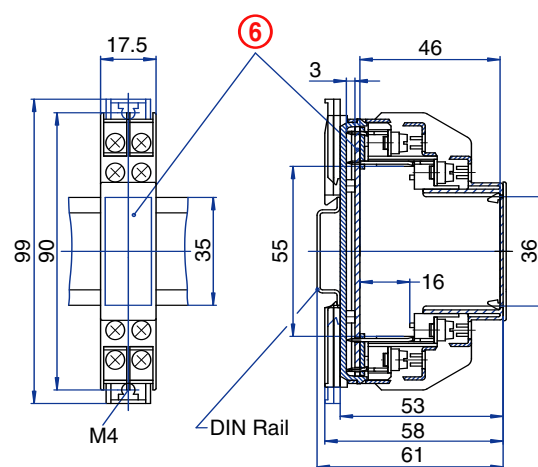
ORDERING INFORMATION

Part Number	Type	Description	PCB Connection
91.202	KU4001C	Straight Pins	Machine Solder

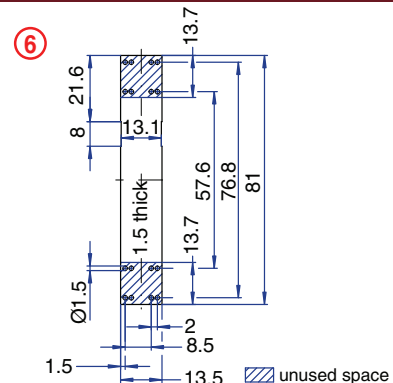
ACCESSORIES

Accessories	Part Number	Type
1 Meter DIN Rail	2511120/1M	TS35x7.5/1M
Screw-hole and Wire-Entry Cover Plug Set	91.201.1	SHPC
*Panel Mount Tab	93.001.5	PMA/KU

ENCLOSURE DRAWING (To convert to inches divide by 25.4.)



PCB DRAWING (To convert to inches divide by 25.4.)



8 Terminal

Vertical PCB
Spring Clamp



TECHNICAL INFORMATION

Electrical: 10A, 300V, 26-14 AWG	Terminal Type: Spring Cage Clamp
Housing Material: Glass-filled Polycarbonate	Terminal Screw Size: -
Temperature Range: Up to 125°C (257°F)	Recommended Torque: -
Flammability Rating: UL94 V-O	Max. PCB's: (1) Vertical
Color: Light Gray	Mounting: 35mm DIN Rail or optional panel mounting*

ORDERING INFORMATION

Part Number	Type	Description	PCB Connection
91.501	KU4037B	Right Angle Pins	Machine Solder/ Wire Jumper

ACCESSORIES

Accessories	Part Number	Type
1 Meter DIN Rail	2511120/1M	TS35x7.5/1M
*Panel Mount Tab	93.001.5	PMA/KU

ENCLOSURE DRAWING (To convert to inches divide by 25.4.)



PCB DRAWING (To convert to inches divide by 25.4.)



8 Terminal

Horizontal PCB
Spring Clamp



TECHNICAL INFORMATION

Electrical: 10A, 300V, 26-14 AWG	Terminal Type: Spring Cage Clamp
Housing Material: Glass-filled Polycarbonate	Terminal Screw Size: -
Temperature Range: Up to 125°C (257°F)	Recommended Torque: -
Flammability Rating: UL94 V-O	Max. PCB's: (1) Horizontal
Color: Light Gray	Mounting: 35mm DIN Rail or optional panel mounting*

ORDERING INFORMATION

Part Number	Type	Description	PCB Connection
91.502	KU4037C	Straight Pins	Machine Solder

ACCESSORIES

Accessories	Part Number	Type
1 Meter DIN Rail	2511120/1M	TS35x7.5/1M
*Panel Mount Tab	93.001.5	PMA/KU

ENCLOSURE DRAWING (To convert to inches divide by 25.4.)



PCB DRAWING (To convert to inches divide by 25.4.)



KU4000 Enclosure Series

8 Terminal

Tall Vertical PCB
Screw Clamp



TECHNICAL INFORMATION

Electrical: 16A, 300V, 22-14 AWG	Terminal Type: Screw / Pressure Plate
Housing Material: Glass-filled Polycarbonate	Terminal Screw Size: M3.5
Temperature Range: Up to 125°C (257°F)	Recommended Torque: 0.8Nm
Flammability Rating: UL94 V-O	Max. PCB's: (1) Vertical
Color: Light Gray	Mounting: 35mm DIN Rail or optional panel mounting*

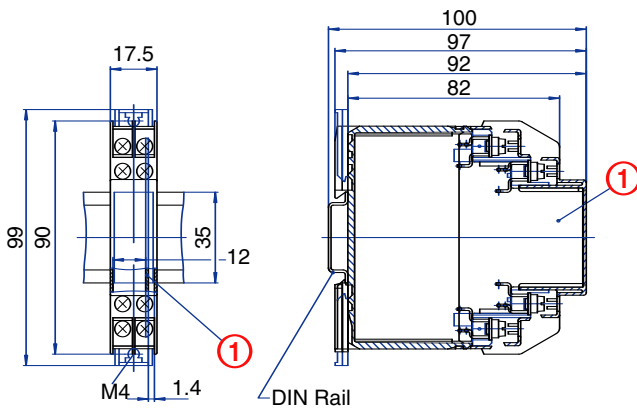
ORDERING INFORMATION

Part Number	Type	Description	PCB Connection
91.203	KU4001BT	Right Angle Pins	Machine Solder/ Wire Jumper

ACCESSORIES

Accessories	Part Number	Type
1 Meter DIN Rail	2511120/1M	TS35x7.5/1M
Screw-hole and Wire-Entry Cover Plug Set	91.201.1	SHPC
*Panel Mount Tab	93.001.5	PMA/KU

ENCLOSURE DRAWING (To convert to inches divide by 25.4.)



PCB DRAWING (To convert to inches divide by 25.4.)



8 Terminal

Tall Vertical PCB
Spring Clamp



TECHNICAL INFORMATION

Electrical: 10A, 300V, 26-14 AWG	Terminal Type: Spring Cage Clamp
Housing Material: Glass-filled Polycarbonate	Terminal Screw Size: -
Temperature Range: Up to 125°C (257°F)	Recommended Torque: -
Flammability Rating: UL94 V-O	Max. PCB's: (1) Vertical
Color: Light Gray	Mounting: 35mm DIN Rail or optional panel mounting*

ORDERING INFORMATION

Part Number	Type	Description	PCB Connection
91.503	KU4037BT	Right Angle Pins	Machine Solder/ Wire Jumper

ACCESSORIES

Accessories	Part Number	Type
1 Meter DIN Rail	2511120/1M	TS35x7.5/1M
*Panel Mount Tab	93.001.5	PMA/KU

ENCLOSURE DRAWING (To convert to inches divide by 25.4.)



PCB DRAWING (To convert to inches divide by 25.4.)



16 Terminal

Vertical PCB
Screw Clamp



TECHNICAL INFORMATION

Electrical: 16A, 300V, 22-14 AWG	Terminal Type: Screw / Pressure Plate
Housing Material: Glass-filled Polycarbonate	Terminal Screw Size: M3.5
Temperature Range: Up to 125°C (257°F)	Recommended Torque: 0.8Nm
Flammability Rating: UL94 V-O	Max. PCB's: (2) Vertical
Color: Light Gray	Mounting: 35mm DIN Rail or optional panel mounting*

ORDERING INFORMATION

Part Number	Type	Description	PCB Connection
91.240	KU4002B	Right Angle Pins	Machine Solder/ Wire Jumper

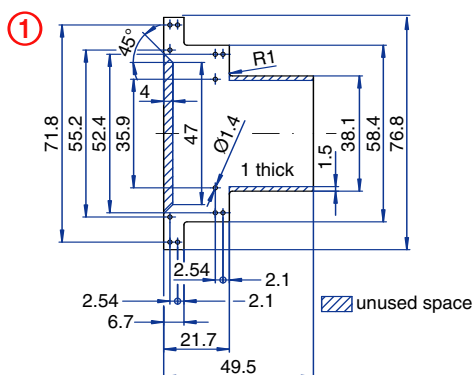
ACCESSORIES

Accessories	Part Number	Type
1 Meter DIN Rail	2511120/1M	TS35x7.5/1M
Screw-hole and Wire-Entry Cover Plug Set	91.201.1	SHPC
*Panel Mount Tab	93.001.5	PMA/KU

ENCLOSURE DRAWING (To convert to inches divide by 25.4.)



PCB DRAWING (To convert to inches divide by 25.4.)



16 Terminal

Horizontal PCB
Screw Clamp



TECHNICAL INFORMATION

Electrical: 16A, 300V, 22-14 AWG	Terminal Type: Screw / Pressure Plate
Housing Material: Glass-filled Polycarbonate	Terminal Screw Size: M3.5
Temperature Range: Up to 125°C (257°F)	Recommended Torque: 0.8Nm
Flammability Rating: UL94 V-O	Max. PCB's: (1) Horizontal
Color: Light Gray	Mounting: 35mm DIN Rail or optional panel mounting*

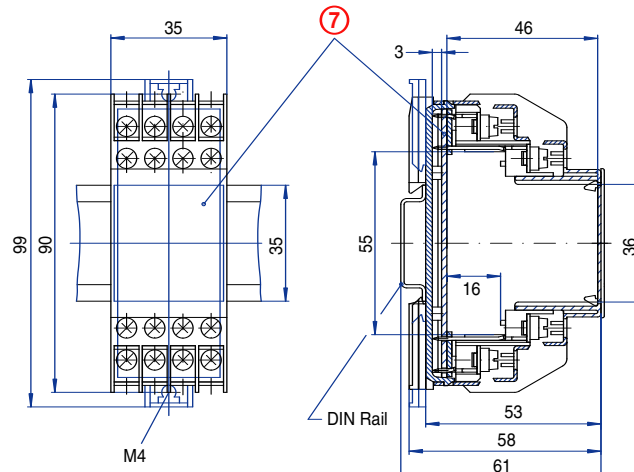
ORDERING INFORMATION

Part Number	Type	Description	PCB Connection
91.220	KU4002C	Straight Pins	Machine Solder

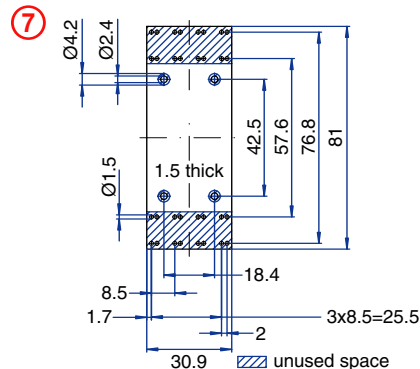
ACCESSORIES

Accessories	Part Number	Type
1 Meter DIN Rail	2511120/1M	TS35x7.5/1M
Screw-hole and Wire-Entry Cover Plug Set	91.201.1	SHPC
*Panel Mount Tab	93.001.5	PMA/KU

ENCLOSURE DRAWING (To convert to inches divide by 25.4.)



PCB DRAWING (To convert to inches divide by 25.4.)



KU4000 Enclosure Series

16 Terminal

Vertical PCB
Spring Clamp



TECHNICAL INFORMATION

Electrical: 10A, 300V, 26-14 AWG
Housing Material: Glass-filled Polycarbonate
Temperature Range: Up to 125°C (257°F)
Flammability Rating: UL94 V-O
Color: Light Gray

Terminal Type: Spring Cage Clamp
Terminal Screw Size: —
Recommended Torque: —
Max. PCB's: (2) Vertical
Mounting: 35mm DIN Rail or optional panel mounting*

ORDERING INFORMATION

Part Number	Type	Description	PCB Connection
91.540	KU4038B	Right Angle Pins	Machine Solder/ Wire Jumper

ACCESSORIES

Accessories	Part Number	Type
1 Meter DIN Rail	2511120/1M	TS35x7.5/1M
*Panel Mount Tab	93.001.5	PMA/KU

ENCLOSURE DRAWING (To convert to inches divide by 25.4.)



PCB DRAWING (To convert to inches divide by 25.4.)



16 Terminal

Horizontal PCB
Spring Clamp



TECHNICAL INFORMATION

Electrical: 10A, 300V, 26-14 AWG
Housing Material: Glass-filled Polycarbonate
Temperature Range: Up to 125°C (257°F)
Flammability Rating: UL94 V-O
Color: Light Gray

Terminal Type: Spring Cage Clamp
Terminal Screw Size: —
Recommended Torque: —
Max. PCB's: (1) Horizontal
Mounting: 35mm DIN Rail or optional panel mounting*

ORDERING INFORMATION

Part Number	Type	Description	PCB Connection
91.520	KU4038C	Straight Pins	Machine Solder

ACCESSORIES

Accessories	Part Number	Type
1 Meter DIN Rail	2511120/1M	TS35x7.5/1M
*Panel Mount Tab	93.001.5	PMA/KU

ENCLOSURE DRAWING (To convert to inches divide by 25.4.)



PCB DRAWING (To convert to inches divide by 25.4.)



16 Terminal

Tall Vertical PCB
Screw Clamp



TECHNICAL INFORMATION

Electrical:

16A, 300V, 22-14 AWG

Housing Material:

Glass-filled Polycarbonate

Temperature Range:

Up to 125°C (257°F)

Flammability Rating:

UL94 V-O

Color:

Light Gray

Terminal Type:

Screw / Pressure Plate

Terminal Screw Size:

M3.5

Recommended Torque:

0.8Nm

Max. PCB's:

(2) Vertical

Mounting:

35mm DIN Rail or optional panel mounting*

ORDERING INFORMATION

Part Number	Type	Description	PCB Connection
91.243	KU4002BT	Right Angle Pins	Machine Solder/ Wire Jumper

ACCESSORIES

Accessories	Part Number	Type
1 Meter DIN Rail	2511120/1M	TS35x7.5/1M
Screw-hole and Wire-Entry Cover Plug Set	91.201.1	SHPC
*Panel Mount Tab	93.001.5	PMA/KU

ENCLOSURE DRAWING (To convert to inches divide by 25.4.)



PCB DRAWING (To convert to inches divide by 25.4.)



16 Terminal

Tall Vertical PCB
Spring Clamp



TECHNICAL INFORMATION

Electrical:

10A, 300V, 26-14 AWG

Housing Material:

Glass-filled Polycarbonate

Temperature Range:

Up to 125°C (257°F)

Flammability Rating:

UL94 V-O

Color:

Light Gray

Terminal Type:

Spring Cage Clamp

Terminal Screw Size:

—

Recommended Torque:

—

Max. PCB's:

(2) Vertical

Mounting:

35mm DIN Rail or optional panel mounting*

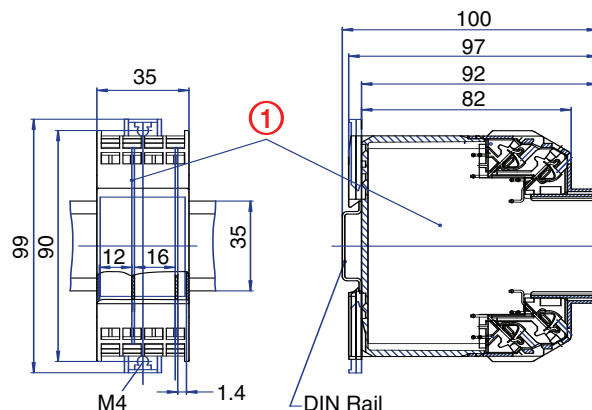
ORDERING INFORMATION

Part Number	Type	Description	PCB Connection
91.543	KU4038BT	Right Angle Pins	Machine Solder/ Wire Jumper

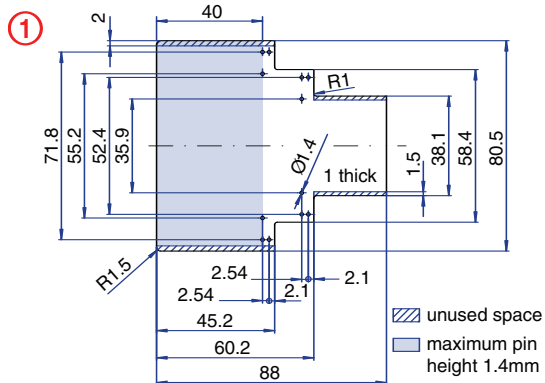
ACCESSORIES

Accessories	Part Number	Type
1 Meter DIN Rail	2511120/1M	TS35x7.5/1M
*Panel Mount Tab	93.001.5	PMA/KU

ENCLOSURE DRAWING (To convert to inches divide by 25.4.)



PCB DRAWING (To convert to inches divide by 25.4.)



KU4000 Enclosure Series

32 Terminal

Vertical PCB
Screw Clamp



TECHNICAL INFORMATION

Electrical: 16A, 300V, 22-14 AWG
Housing Material: Glass-filled Polycarbonate
Temperature Range: Up to 125°C (257°F)
Flammability Rating: UL94 V-O
Color: Light Gray

Terminal Type: Screw / Pressure Plate
Terminal Screw Size: M3.5
Recommended Torque: 0.8Nm
Max. PCB's: (4) Vertical
Mounting: 35mm DIN Rail or optional panel mounting*

ORDERING INFORMATION

Part Number	Type	Description	PCB Connection
91.280	KU4003B	Right Angle Pins	Machine Solder/ Wire Jumper

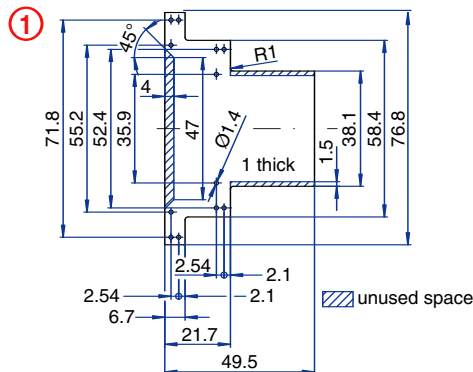
ACCESSORIES

Accessories	Part Number	Type
1 Meter DIN Rail	2511120/1M	TS35x7.5/1M
Screw-hole and Wire-Entry Cover Plug Set	91.201.1	SHPC
*Panel Mount Tab	93.001.5	PMA/KU

ENCLOSURE DRAWING (To convert to inches divide by 25.4.)



PCB DRAWING (To convert to inches divide by 25.4.)



32 Terminal

Horizontal PCB
Screw Clamp



TECHNICAL INFORMATION

Electrical: 16A, 300V, 22-14 AWG
Housing Material: Glass-filled Polycarbonate
Temperature Range: Up to 125°C (257°F)
Flammability Rating: UL94 V-O
Color: Light Gray

Terminal Type: Screw / Pressure Plate
Terminal Screw Size: M3.5
Recommended Torque: 0.8Nm
Max. PCB's: (1) Horizontal, (2) Vertical
Mounting: 35mm DIN Rail or optional panel mounting*

ORDERING INFORMATION

Part Number	Type	Description	PCB Connection
91.260	KU4003C	Straight Pins	Machine Solder

ACCESSORIES

Accessories	Part Number	Type
1 Meter DIN Rail	2511120/1M	TS35x7.5/1M
Screw-hole and Wire-Entry Cover Plug Set	91.201.1	SHPC
*Panel Mount Tab	93.001.5	PMA/KU

ENCLOSURE DRAWING (To convert to inches divide by 25.4.)



PCB DRAWING (To convert to inches divide by 25.4.)



32 Terminal

Vertical PCB
Spring Clamp



TECHNICAL INFORMATION

Electrical:

10A, 300V, 26-14 AWG

Housing Material:

Glass-filled Polycarbonate

Temperature Range:

Up to 125°C (257°F)

Flammability Rating:

UL94 V-O

Color:

Light Gray

Terminal Type:

Spring Cage Clamp

Terminal Screw Size:

–

Recommended Torque:

–

Max. PCB's:

(4) Vertical

Mounting:

35mm DIN Rail or optional panel mounting*

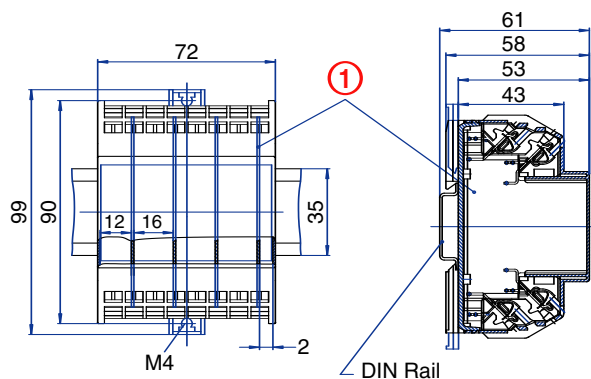
ORDERING INFORMATION

Part Number	Type	Description	PCB Connection
91.580	KU4039B	Right Angle Pins	Machine Solder/ Wire Jumper

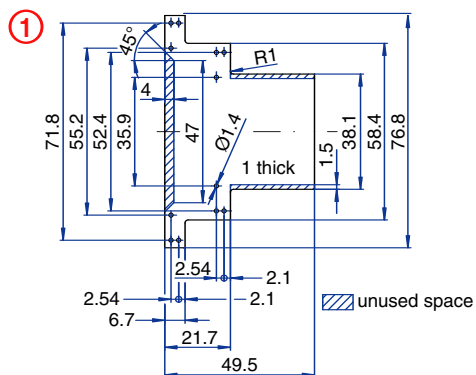
ACCESSORIES

Accessories	Part Number	Type
1 Meter DIN Rail	2511120/1M	TS35x7.5/1M
*Panel Mount Tab	93.001.5	PMA/KU

ENCLOSURE DRAWING (To convert to inches divide by 25.4.)



PCB DRAWING (To convert to inches divide by 25.4.)



32 Terminal

Horizontal PCB
Spring Clamp



TECHNICAL INFORMATION

Electrical:

10A, 300V, 26-14 AWG

Housing Material:

Glass-filled Polycarbonate

Temperature Range:

Up to 125°C (257°F)

Flammability Rating:

UL94 V-O

Color:

Light Gray

Terminal Type:

Spring Cage Clamp

Terminal Screw Size:

–

Recommended Torque:

–

Max. PCB's:

(1) Horizontal

Mounting:

35mm DIN Rail or optional panel mounting*

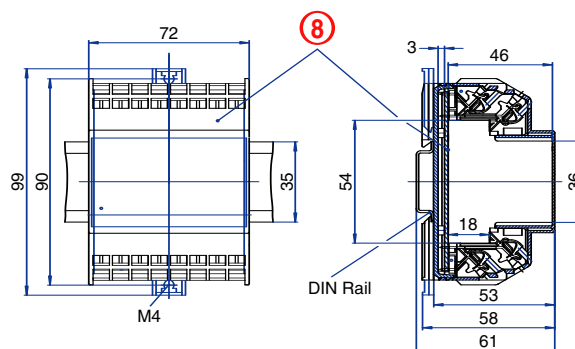
ORDERING INFORMATION

Part Number	Type	Description	PCB Connection
91.560	KU4039C	Straight Pins	Machine Solder

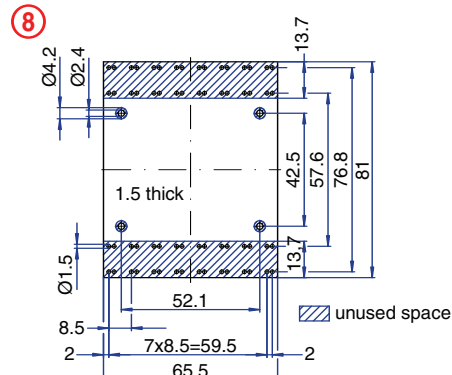
ACCESSORIES

Accessories	Part Number	Type
1 Meter DIN Rail	2511120/1M	TS35x7.5/1M
*Panel Mount Tab	93.001.5	PMA/KU

ENCLOSURE DRAWING (To convert to inches divide by 25.4.)



PCB DRAWING (To convert to inches divide by 25.4.)



KU4000 Enclosure Series

32 Terminal

Tall Vertical
PCB Screw Clamp



TECHNICAL INFORMATION

Electrical:
16A, 300V, 22-14 AWG

Housing Material:
Glass-filled Polycarbonate

Temperature Range:
Up to 125°C (257°F)

Flammability Rating:
UL94 V-O

Color:
Light Gray

Terminal Type:
Screw / Pressure Plate

Terminal Screw Size:
M3.5

Recommended Torque:
0.8Nm

Max. PCB's:
(4) Vertical

Mounting:
35mm DIN Rail or optional panel mounting*

ORDERING INFORMATION

Part Number	Type	Description	PCB Connection
91.283	KU4003BT	Right Angle Pins	Machine Solder/ Wire Jumper

ACCESSORIES

Accessories	Part Number	Type
1 Meter DIN Rail	2511120/1M	TS35x7.5/1M
Screw-hole and Wire-Entry Cover Plug Set	91.201.1	SHPC
*Panel Mount Tab	93.001.5	PMA/KU

ENCLOSURE DRAWING (To convert to inches divide by 25.4.)



PCB DRAWING (To convert to inches divide by 25.4.)



32 Terminal

Tall Vertical
PCB Spring Clamp



TECHNICAL INFORMATION

Electrical:
10A, 300V, 26-14 AWG

Housing Material:
Glass-filled Polycarbonate

Temperature Range:
Up to 125°C (257°F)

Flammability Rating:
UL94 V-O

Color:
Light Gray

Terminal Type:
Spring Cage Clamp

Terminal Screw Size:
-

Recommended Torque:
-

Max. PCB's:
(4) Vertical

Mounting:
35mm DIN Rail or optional panel mounting*

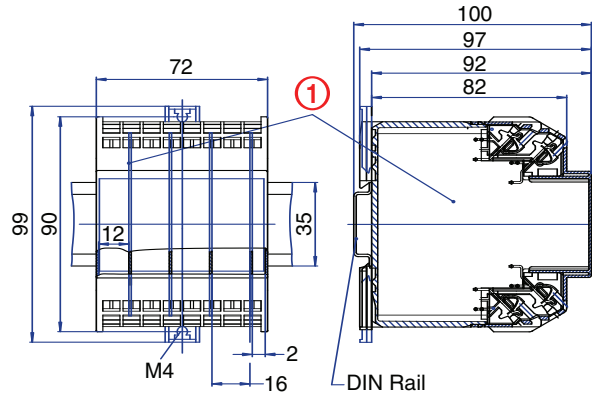
ORDERING INFORMATION

Part Number	Type	Description	PCB Connection
91.583	KU4039BT	Right Angle Pins	Machine Solder/ Wire Jumper

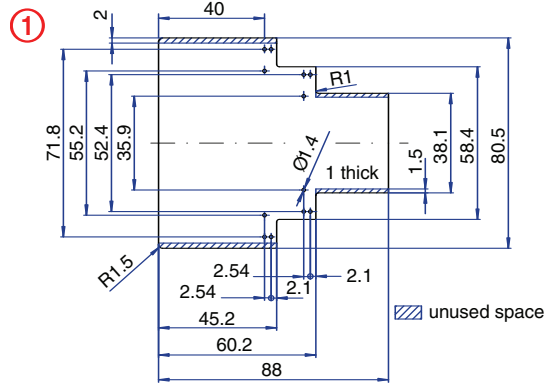
ACCESSORIES

Accessories	Part Number	Type
1 Meter DIN Rail	2511120/1M	TS35x7.5/1M
*Panel Mount Tab	93.001.5	PMA/KU

ENCLOSURE DRAWING (To convert to inches divide by 25.4.)



PCB DRAWING (To convert to inches divide by 25.4.)



16 Terminal

Vertical PCB
Screw Clamp



TECHNICAL INFORMATION

Electrical: 16A, 300V, 22-14 AWG	Terminal Type: Screw / Pressure Plate
Housing Material: Glass-filled Polycarbonate	Terminal Screw Size: M3.5
Temperature Range: Up to 125°C (257°F)	Recommended Torque: 0.8Nm
Flammability Rating: UL94 V-O	Max. PCB's: (2) Vertical
Color: Light Gray	Mounting: 35mm DIN Rail or optional panel mounting*

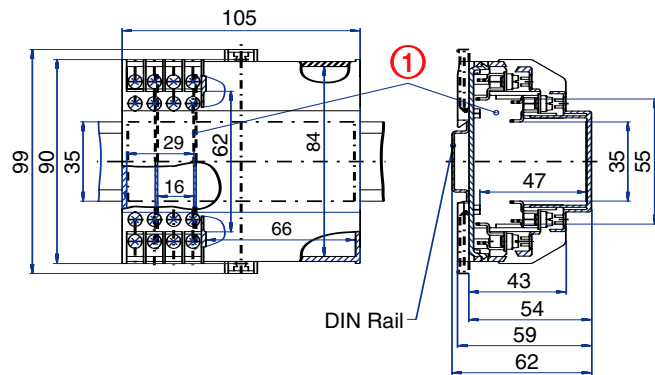
ORDERING INFORMATION

Part Number	Type	Description	PCB Connection
91.250	KU4090B16	Right Angle Pins	Machine Solder/ Wire Jumper

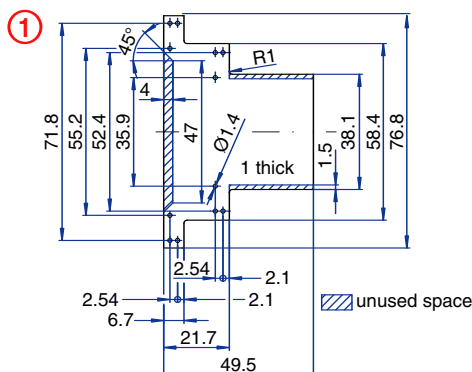
ACCESSORIES

Accessories	Part Number	Type
1 Meter DIN Rail	2511120/1M	TS35x7.5/1M
Screw-hole and Wire-Entry Cover Plug Set	91.201.1	SHPC
*Panel Mount Tab	93.001.5	PMA/KU

ENCLOSURE DRAWING (To convert to inches divide by 25.4.)



PCB DRAWING (To convert to inches divide by 25.4.)



16 Terminal

Horizontal PCB
Screw Clamp



TECHNICAL INFORMATION

Electrical: 16A, 300V, 22-14 AWG	Terminal Type: Screw / Pressure Plate
Housing Material: Glass-filled Polycarbonate	Terminal Screw Size: M3.5
Temperature Range: Up to 125°C (257°F)	Recommended Torque: 0.8Nm
Flammability Rating: UL94 V-O	Max. PCB's: (1) Horizontal, (2) Vertical
Color: Light Gray	Mounting: 35mm DIN Rail or optional panel mounting*

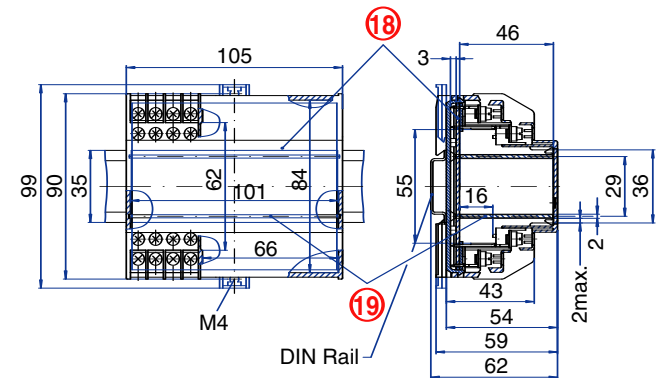
ORDERING INFORMATION

Part Number	Type	Description	PCB Connection
91.230	KU4090C16	Straight Pins	Machine Solder

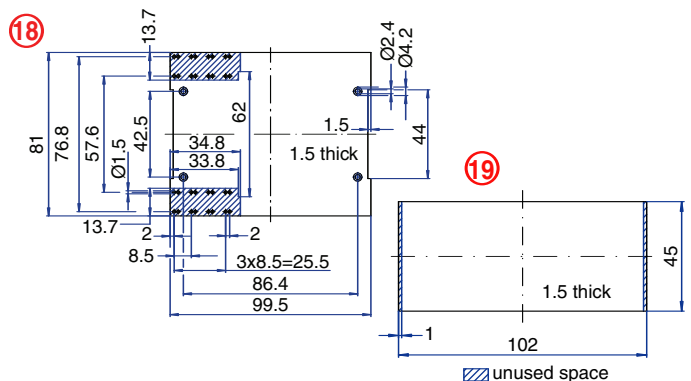
ACCESSORIES

Accessories	Part Number	Type
1 Meter DIN Rail	2511120/1M	TS35x7.5/1M
Screw-hole and Wire-Entry Cover Plug Set	91.201.1	SHPC
*Panel Mount Tab	93.001.5	PMA/KU

ENCLOSURE DRAWING (To convert to inches divide by 25.4.)



PCB DRAWING (To convert to inches divide by 25.4.)



KU4000 Enclosure Series

16 Terminal

Vertical PCB
Screw Clamp
with vent slots



TECHNICAL INFORMATION

Electrical:
16A, 300V, 22-14 AWG

Housing Material:
Glass-filled Polycarbonate

Temperature Range:
Up to 125°C (257°F)

Flammability Rating:
UL94 V-O

Color:
Light Gray

Terminal Type:
Screw / Pressure Plate

Terminal Screw Size:
M3.5

Recommended Torque:
0.8Nm

Max. PCB's:
(3) Vertical

Mounting:
35mm DIN Rail or optional panel mounting*

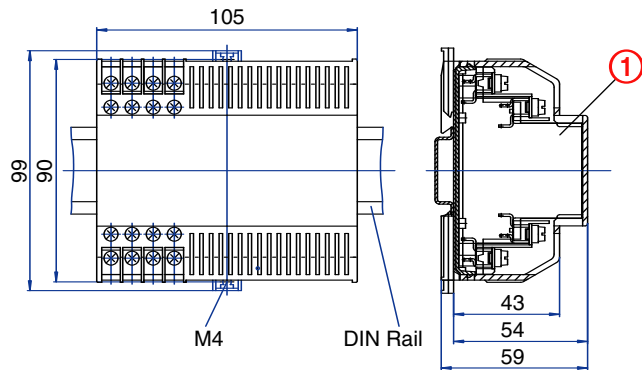
ORDERING INFORMATION

Part Number	Type	Description	PCB Connection
91.255	KU4090B16V	Right Angle Pins	Machine Solder/ Wire Jumper

ACCESSORIES

Accessories	Part Number	Type
1 Meter DIN Rail	2511120/1M	TS35x7.5/1M
Screw-hole and Wire-Entry Cover Plug Set	91.201.1	SHPC
*Panel Mount Tab	93.001.5	PMA/KU

ENCLOSURE DRAWING (To convert to inches divide by 25.4.)



PCB DRAWING (To convert to inches divide by 25.4.)



16 Terminal

Horizontal PCB
Screw Clamp
with vent slots



TECHNICAL INFORMATION

Electrical:
16A, 300V, 22-14 AWG

Housing Material:
Glass-filled Polycarbonate

Temperature Range:
Up to 125°C (257°F)

Flammability Rating:
UL94 V-O

Color:
Light Gray

Terminal Type:
Screw / Pressure Plate

Terminal Screw Size:
M3.5

Recommended Torque:
0.8Nm

Max. PCB's:
(1) Horizontal, (2) Vertical

Mounting:
35mm DIN Rail or optional panel mounting*

ORDERING INFORMATION

Part Number	Type	Description	PCB Connection
91.235	KU4090C16V	Straight Pins	Machine Solder

ACCESSORIES

Accessories	Part Number	Type
1 Meter DIN Rail	2511120/1M	TS35x7.5/1M
Screw-hole and Wire-Entry Cover Plug Set	91.201.1	SHPC
*Panel Mount Tab	93.001.5	PMA/KU

ENCLOSURE DRAWING (To convert to inches divide by 25.4.)



PCB DRAWING (To convert to inches divide by 25.4.)



24 Terminal

Vertical PCB
Screw Clamp



TECHNICAL INFORMATION

Electrical: 16A, 300V, 22-14 AWG	Terminal Type: Screw / Pressure Plate
Housing Material: Glass-filled Polycarbonate	Terminal Screw Size: M3.5
Temperature Range: Up to 125°C (257°F)	Recommended Torque: 0.8Nm
Flammability Rating: UL94 V-O	Max. PCB's: (6) Vertical
Color: Light Gray	Mounting: 35mm DIN Rail or optional panel mounting*

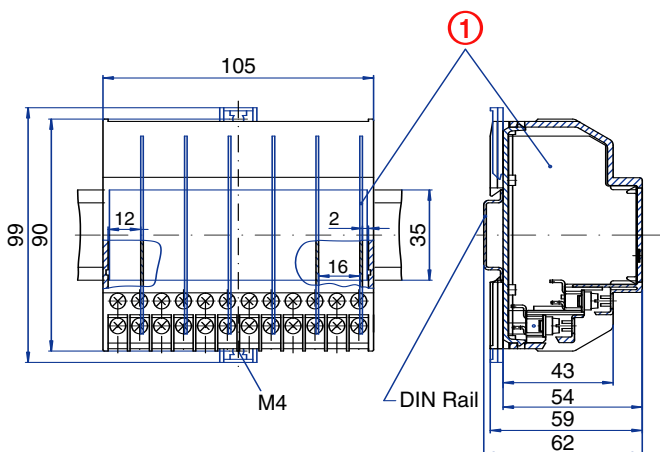
ORDERING INFORMATION

Part Number	Type	Description	PCB Connection
91.290	KU4090B24	Right Angle Pins	Machine Solder/ Wire Jumper

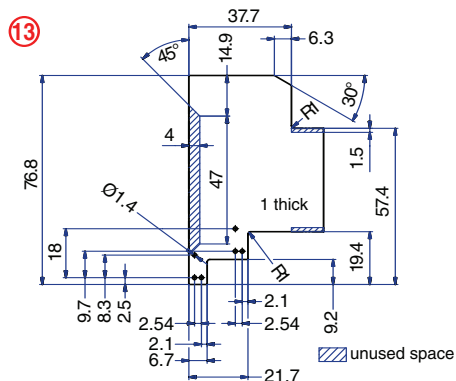
ACCESSORIES

Accessories	Part Number	Type
1 Meter DIN Rail	2511120/1M	TS35x7.5/1M
Screw-hole and Wire-Entry Cover Plug Set	91.201.1	SHPC
*Panel Mount Tab	93.001.5	PMA/KU

ENCLOSURE DRAWING (To convert to inches divide by 25.4.)



PCB DRAWING (To convert to inches divide by 25.4.)



24 Terminal

Horizontal PCB
Screw Clamp



TECHNICAL INFORMATION

Electrical: 16A, 300V, 22-14 AWG	Terminal Type: Screw / Pressure Plate
Housing Material: Glass-filled Polycarbonate	Terminal Screw Size: M3.5
Temperature Range: Up to 125°C (257°F)	Recommended Torque: 0.8Nm
Flammability Rating: UL94 V-O	Max. PCB's: (1) Horizontal (2) Vertical
Color: Light Gray	Mounting: 35mm DIN Rail or optional panel mounting*

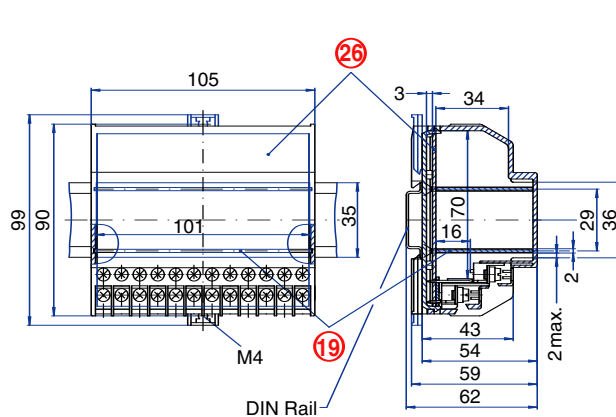
ORDERING INFORMATION

Part Number	Type	Description	PCB Connection
91.270	KU4090C24	Straight Pins	Machine Solder

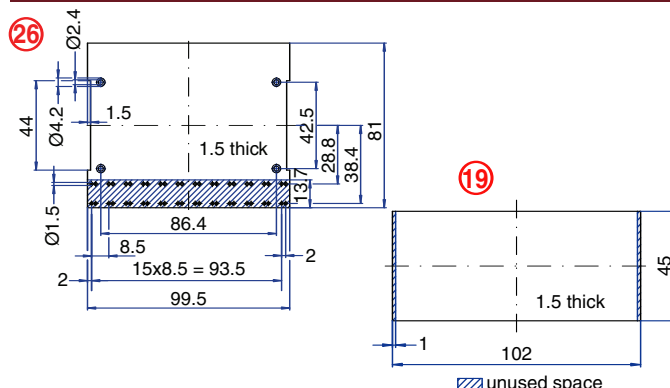
ACCESSORIES

Accessories	Part Number	Type
1 Meter DIN Rail	2511120/1M	TS35x7.5/1M
Screw-hole and Wire-Entry Cover Plug Set	91.201.1	SHPC
*Panel Mount Tab	93.001.5	PMA/KU

ENCLOSURE DRAWING (To convert to inches divide by 25.4.)



PCB DRAWING (To convert to inches divide by 25.4.)



KU4000 Enclosure Series

48 Terminal

Vertical PCB
Screw Clamp



TECHNICAL INFORMATION

Electrical: 16A, 300V, 22-14 AWG
Housing Material: Glass-filled Polycarbonate
Temperature Range: Up to 125°C (257°F)
Flammability Rating: UL94 V-O
Color: Light Gray

Terminal Type: Screw / Pressure Plate
Terminal Screw Size: M3.5
Recommended Torque: 0.8Nm
Max. PCB's: (6) Vertical
Mounting: 35mm DIN Rail or optional panel mounting*

ORDERING INFORMATION

Part Number	Type	Description	PCB Connection
91.330	KU4090B48	Right Angle Pins	Machine Solder/ Wire Jumper

ACCESSORIES

Accessories	Part Number	Type
1 Meter DIN Rail	2511120/1M	TS35x7.5/1M
Screw-hole and Wire-Entry Cover Plug Set	91.201.1	SHPC
*Panel Mount Tab	93.001.5	PMA/KU

ENCLOSURE DRAWING (To convert to inches divide by 25.4.)



PCB DRAWING (To convert to inches divide by 25.4.)



48 Terminal

Horizontal PCB
Screw Clamp



TECHNICAL INFORMATION

Electrical: 16A, 300V, 22-14 AWG
Housing Material: Glass-filled Polycarbonate
Temperature Range: Up to 125°C (257°F)
Flammability Rating: UL94 V-O
Color: Light Gray

Terminal Type: Screw / Pressure Plate
Terminal Screw Size: M3.5
Recommended Torque: 0.8Nm
Max. PCB's: (1) Horizontal, (2) Vertical
Mounting: 35mm DIN Rail or optional panel mounting*

ORDERING INFORMATION

Part Number	Type	Description	PCB Connection
91.310	KU4090C48	Straight Pins	Machine Solder

ACCESSORIES

Accessories	Part Number	Type
1 Meter DIN Rail	2511120/1M	TS35x7.5/1M
Screw-hole and Wire-Entry Cover Plug Set	91.201.1	SHPC
*Panel Mount Tab	93.001.5	PMA/KU

ENCLOSURE DRAWING (To convert to inches divide by 25.4.)



PCB DRAWING (To convert to inches divide by 25.4.)



48 Terminal

Vertical PCB
Spring Clamp



TECHNICAL INFORMATION

Electrical:

10A, 300V, 26-14 AWG

Housing Material:

Glass-filled Polycarbonate

Temperature Range:

Up to 125°C (257°F)

Flammability Rating:

UL94 V-O

Color:

Light Gray

Terminal Type:

Spring Cage Clamp

Terminal Screw Size:

–

Recommended Torque:

–

Max. PCB's:

(6) Vertical

Mounting:

35mm DIN Rail or optional panel mounting*

ORDERING INFORMATION

Part Number	Type	Description	PCB Connection
91.530	KU4040B	Right Angle Pins	Machine Solder/ Wire Jumper

ACCESSORIES

Accessories	Part Number	Type
1 Meter DIN Rail	2511120/1M	TS35x7.5/1M
*Panel Mount Tab	93.001.5	PMA/KU

ENCLOSURE DRAWING (To convert to inches divide by 25.4.)



PCB DRAWING (To convert to inches divide by 25.4.)



48 Terminal

Horizontal PCB
Spring Clamp



TECHNICAL INFORMATION

Electrical:

10A, 300V, 26-14 AWG

Housing Material:

Glass-filled Polycarbonate

Temperature Range:

Up to 125°C (257°F)

Flammability Rating:

UL94 V-O

Color:

Light Gray

Terminal Type:

Spring Cage Clamp

Terminal Screw Size:

–

Recommended Torque:

–

Max. PCB's:

(1) Horizontal

Mounting:

35mm DIN Rail or optional panel mounting*

ORDERING INFORMATION

Part Number	Type	Description	PCB Connection
91.510	KU4040C	Straight Pins	Machine Solder

ACCESSORIES

Accessories	Part Number	Type
1 Meter DIN Rail	2511120/1M	TS35x7.5/1M
*Panel Mount Tab	93.001.5	PMA/KU

ENCLOSURE DRAWING (To convert to inches divide by 25.4.)



PCB DRAWING (To convert to inches divide by 25.4.)



KU4000 Enclosure Series

32 Terminal

Vertical PCB
Screw Clamp
terminals on one side only



TECHNICAL INFORMATION

Electrical: 16A, 300V, 22-14 AWG
Housing Material: Glass-filled Polycarbonate
Temperature Range: Up to 125°C (257°F)
Flammability Rating: UL94 V-O
Color: Light Gray

Terminal Type: Screw / Pressure Plate
Terminal Screw Size: M3.5
Recommended Torque: 0.8Nm
Max. PCB's: (8) Vertical
Mounting: 35mm DIN Rail or optional panel mounting*

ORDERING INFORMATION

Part Number	Type	Description	PCB Connection
91.320	KU4011B	Right Angle Pins	Machine Solder/ Wire Jumper

ACCESSORIES

Accessories	Part Number	Type
1 Meter DIN Rail	2511120/1M	TS35x7.5/1M
Screw-hole and Wire-Entry Cover Plug Set	91.201.1	SHPC
*Panel Mount Tab	93.001.5	PMA/KU

ENCLOSURE DRAWING (To convert to inches divide by 25.4.)



PCB DRAWING (To convert to inches divide by 25.4.)



32 Terminal

Horizontal PCB
Screw Clamp
terminals on one side only



TECHNICAL INFORMATION

Electrical: 16A, 300V, 22-14 AWG
Housing Material: Glass-filled Polycarbonate
Temperature Range: Up to 125°C (257°F)
Flammability Rating: UL94 V-O
Color: Light Gray

Terminal Type: Screw / Pressure Plate
Terminal Screw Size: M3.5
Recommended Torque: 0.8Nm
Max. PCB's: (1) Horizontal, (2) Vertical
Mounting: 35mm DIN Rail or optional panel mounting*

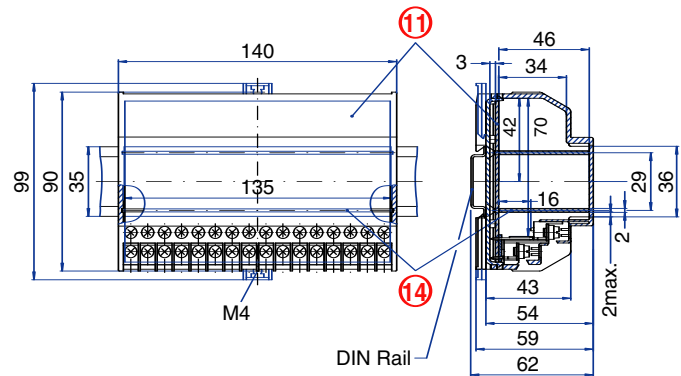
ORDERING INFORMATION

Part Number	Type	Description	PCB Connection
91.300	KU4011C	Straight Pins	Machine Solder

ACCESSORIES

Accessories	Part Number	Type
1 Meter DIN Rail	2511120/1M	TS35x7.5/1M
Screw-hole and Wire-Entry Cover Plug Set	91.201.1	SHPC
*Panel Mount Tab	93.001.5	PMA/KU

ENCLOSURE DRAWING (To convert to inches divide by 25.4.)



PCB DRAWING (To convert to inches divide by 25.4.)



32 Terminal

Vertical PCB
Screw Clamp
terminals in corners only



TECHNICAL INFORMATION

Electrical: 16A, 300V, 22-14 AWG
Housing Material: Glass-filled Polycarbonate
Temperature Range: Up to 125°C (257°F)
Flammability Rating: UL94 V-O
Color: Light Gray

Terminal Type: Screw / Pressure Plate
Terminal Screw Size: M3.5
Recommended Torque: 0.8Nm
Max. PCB's: (4) Vertical
Mounting: 35mm DIN Rail or optional panel mounting*

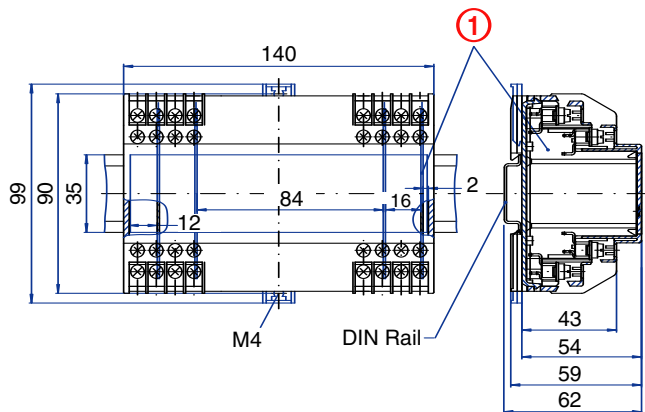
ORDERING INFORMATION

Part Number	Type	Description	PCB Connection
91.360	KU4012B	Right Angle Pins	Machine Solder/ Wire Jumper

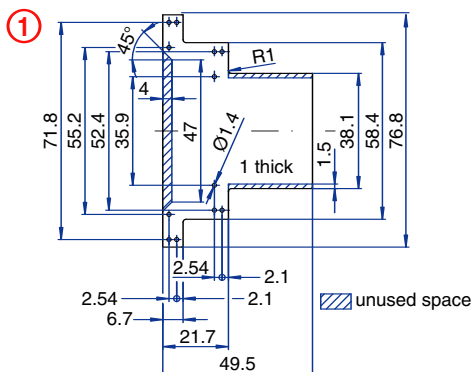
ACCESSORIES

Accessories	Part Number	Type
1 Meter DIN Rail	2511120/1M	TS35x7.5/1M
Screw-hole and Wire-Entry Cover Plug Set	91.201.1	SHPC
*Panel Mount Tab	93.001.5	PMA/KU

ENCLOSURE DRAWING (To convert to inches divide by 25.4.)

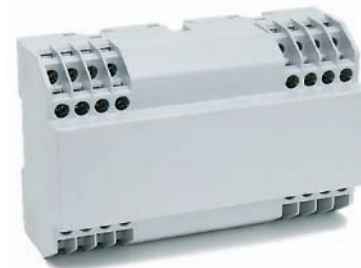


PCB DRAWING (To convert to inches divide by 25.4.)



32 Terminal

Horizontal PCB
Screw Clamp
terminals in corners only



TECHNICAL INFORMATION

Electrical: 16A, 300V, 22-14 AWG
Housing Material: Glass-filled Polycarbonate
Temperature Range: Up to 125°C (257°F)
Flammability Rating: UL94 V-O
Color: Light Gray

Terminal Type: Screw / Pressure Plate
Terminal Screw Size: M3.5
Recommended Torque: 0.8Nm
Max. PCB's: (1) Horizontal, (2) Vertical
Mounting: 35mm DIN Rail or optional panel mounting*

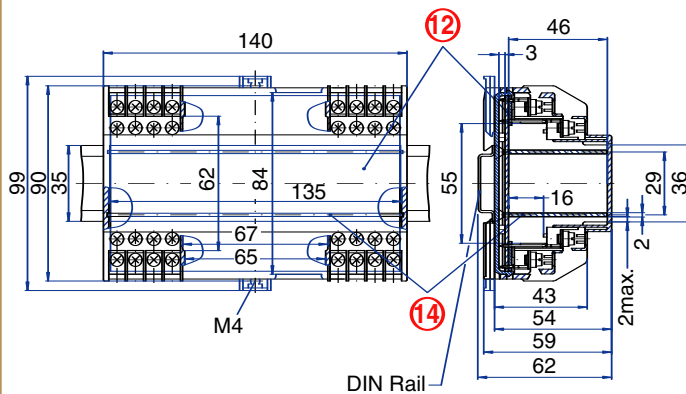
ORDERING INFORMATION

Part Number	Type	Description	PCB Connection
91.340	KU4012C	Straight Pins	Machine Solder

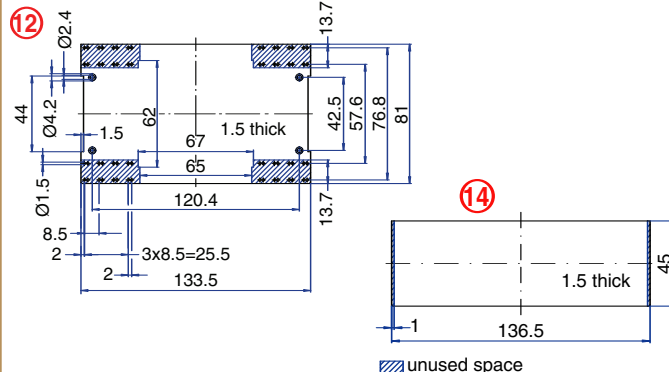
ACCESSORIES

Accessories	Part Number	Type
1 Meter DIN Rail	2511120/1M	TS35x7.5/1M
Screw-hole and Wire-Entry Cover Plug Set	91.201.1	SHPC
*Panel Mount Tab	93.001.5	PMA/KU

ENCLOSURE DRAWING (To convert to inches divide by 25.4.)



PCB DRAWING (To convert to inches divide by 25.4.)



KU4000 Enclosure Series

32 Terminal

Vertical PCB
Screw Clamp
with vent slots



TECHNICAL INFORMATION

Electrical: 16A, 300V, 22-14 AWG
Housing Material: Glass-filled Polycarbonate
Temperature Range: Up to 125°C (257°F)
Flammability Rating: UL94 V-O
Color: Light Gray

Terminal Type: Screw / Pressure Plate
Terminal Screw Size: M3.5
Recommended Torque: 0.8Nm
Max. PCB's: (1) Vertical
Mounting: 35mm DIN Rail or optional panel mounting*

ORDERING INFORMATION

Part Number	Type	Description	PCB Connection
91.365	KU4012BV	Right Angle Pins	Machine Solder/ Wire Jumper

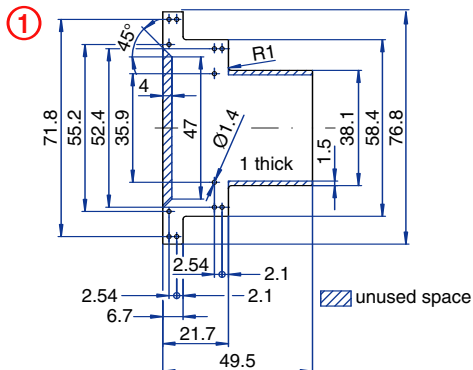
ACCESSORIES

Accessories	Part Number	Type
1 Meter DIN Rail	2511120/1M	TS35x7.5/1M
Screw-hole and Wire-Entry Cover Plug Set	91.201.1	SHPC
*Panel Mount Tab	93.001.5	PMA/KU

ENCLOSURE DRAWING (To convert to inches divide by 25.4.)



PCB DRAWING (To convert to inches divide by 25.4.)



32 Terminal

Horizontal PCB
Screw Clamp
with vent slots



TECHNICAL INFORMATION

Electrical: 16A, 300V, 22-14 AWG
Housing Material: Glass-filled Polycarbonate
Temperature Range: Up to 125°C (257°F)
Flammability Rating: UL94 V-O
Color: Light Gray

Terminal Type: Screw / Pressure Plate
Terminal Screw Size: M3.5
Recommended Torque: 0.8Nm
Max. PCB's: (1) Horizontal
Mounting: 35mm DIN Rail or optional panel mounting*

ORDERING INFORMATION

Part Number	Type	Description	PCB Connection
91.345	KU4012CV	Straight Pins	Machine Solder

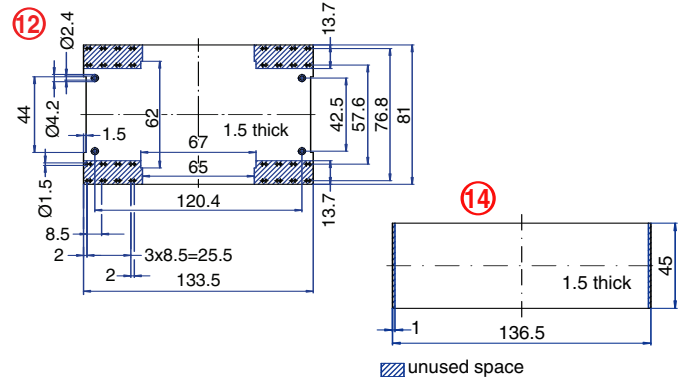
ACCESSORIES

Accessories	Part Number	Type
1 Meter DIN Rail	2511120/1M	TS35x7.5/1M
Screw-hole and Wire-Entry Cover Plug Set	91.201.1	SHPC
*Panel Mount Tab	93.001.5	PMA/KU

ENCLOSURE DRAWING (To convert to inches divide by 25.4.)

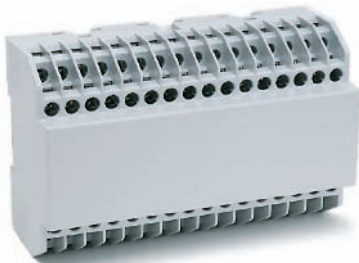


PCB DRAWING (To convert to inches divide by 25.4.)



64 Terminal

Vertical PCB
Screw Clamp



TECHNICAL INFORMATION

Electrical:

16A, 300V, 22-14 AWG

Housing Material:

Glass-filled Polycarbonate

Temperature Range:

Up to 125°C (257°F)

Flammability Rating:

UL94 V-O

Color:

Light Gray

Terminal Type:

Screw / Pressure Plate

Terminal Screw Size:

M3.5

Recommended Torque:

0.8Nm

Max. PCB's:

(8) Vertical

Mounting:

35mm DIN Rail or optional panel mounting*

ORDERING INFORMATION

Part Number	Type	Description	PCB Connection
91.400	KU4013B	Right Angle Pins	Machine Solder/ Wire Jumper

ACCESSORIES

Accessories	Part Number	Type
1 Meter DIN Rail	2511120/1M	TS35x7.5/1M
Screw-hole and Wire-Entry Cover Plug Set	91.201.1	SHPC
*Panel Mount Tab	93.001.5	PMA/KU

ENCLOSURE DRAWING (To convert to inches divide by 25.4.)

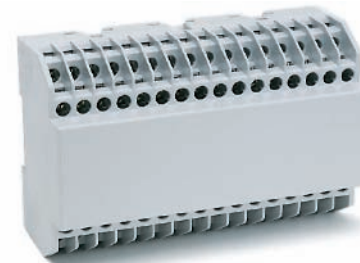


PCB DRAWING (To convert to inches divide by 25.4.)



64 Terminal

Horizontal PCB
Screw Clamp



TECHNICAL INFORMATION

Electrical:

16A, 300V, 22-14 AWG

Housing Material:

Glass-filled Polycarbonate

Temperature Range:

Up to 125°C (257°F)

Flammability Rating:

UL94 V-O

Color:

Light Gray

Terminal Type:

Screw / Pressure Plate

Terminal Screw Size:

M3.5

Recommended Torque:

0.8Nm

Max. PCB's:

(1) Horizontal, (2) Vertical

Mounting:

35mm DIN Rail or optional panel mounting*

ORDERING INFORMATION

Part Number	Type	Description	PCB Connection
91.380	KU4013C	Straight Pins	Machine Solder

ACCESSORIES

Accessories	Part Number	Type
1 Meter DIN Rail	2511120/1M	TS35x7.5/1M
Screw-hole and Wire-Entry Cover Plug Set	91.201.1	SHPC
*Panel Mount Tab	93.001.5	PMA/KU

ENCLOSURE DRAWING (To convert to inches divide by 25.4.)



PCB DRAWING (To convert to inches divide by 25.4.)



KU4000 Enclosure Series

64 Terminal

Vertical PCB
Spring Clamp



TECHNICAL INFORMATION

Electrical: 10A, 300V, 26-14 AWG	Terminal Type: Spring Cage Clamp
Housing Material: Glass-filled Polycarbonate	Terminal Screw Size: -
Temperature Range: Up to 125°C (257°F)	Recommended Torque: -
Flammability Rating: UL94 V-O	Max. PCB's: (8) Vertical
Color: Light Gray	Mounting: 35mm DIN Rail or optional panel mounting*

ORDERING INFORMATION

Part Number	Type	Description	PCB Connection
91.600	KU4041B	Right Angle Pins	Machine Solder/ Wire Jumper

ACCESSORIES

Accessories	Part Number	Type
1 Meter DIN Rail	2511120/1M	TS35x7.5/1M
*Panel Mount Tab	93.001.5	PMA/KU

ENCLOSURE DRAWING (To convert to inches divide by 25.4.)



PCB DRAWING (To convert to inches divide by 25.4.)



64 Terminal

Horizontal PCB
Spring Clamp



TECHNICAL INFORMATION

Electrical: 10A, 300V, 26-14 AWG	Terminal Type: Spring Cage Clamp
Housing Material: Glass-filled Polycarbonate	Terminal Screw Size: -
Temperature Range: Up to 125°C (257°F)	Recommended Torque: -
Flammability Rating: UL94 V-O	Max. PCB's: (1) Horizontal
Color: Light Gray	Mounting: 35mm DIN Rail or optional panel mounting*

ORDERING INFORMATION

Part Number	Type	Description	PCB Connection
91.610	KU4041C	Straight Pins	Machine Solder

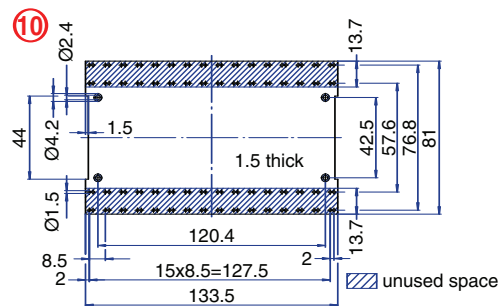
ACCESSORIES

Accessories	Part Number	Type
1 Meter DIN Rail	2511120/1M	TS35x7.5/1M
*Panel Mount Tab	93.001.5	PMA/KU

ENCLOSURE DRAWING (To convert to inches divide by 25.4.)



PCB DRAWING (To convert to inches divide by 25.4.)



KO4700 Enclosure Series



Ideal for industrial applications. Small to large in size, KO4700 enclosures can accommodate 8 to 132 terminals for field wire connections. Series KO4700 enclosures can be customized to the exact number of terminals required. Standard enclosures are equipped with the maximum number of terminal strips and terminals. The KO4700 series are available with two types of terminations for connecting external wires. The Pressure Plate type terminals, with a center line spacing of 9mm (.35 in.) and the Box Clamp design, which has a 5mm (.19 in.) center line spacing for much higher density.

MATERIALS

Housing

Housing Shell: Polycarbonate, 10% Glass Filled
Cover: Polycarbonate, 10% Glass Filled
Cover Panel: Clear Polycarbonate or Glass Filled Polycarbonate

Terminals

Pressure Plate: Zinc Plated, Chromated Steel
Terminal Screw: Zinc Plated, Chromated Steel
Clamp: Nickel Plated Brass
Busbar: Tin Plated Bronze
Connector Contact: Beryllium Copper, Tin Plated
(gold plating available)

Temperature Rating:

125°C (257°F), UL94V0
Housing Shell Color: Black
Terminal Cover Color: Tan

PROTECTION

KO4700 enclosures have an IP20 rating (finger protected) and meet VBG4 and other European accident prevention requirements.

CONSTRUCTION

The KO4700 enclosure series consists of a black housing shell and a tan cover with integral terminals and terminal-to-board connections. They are supplied unassembled.

The housing shell has molded printed circuit board guides to save time when inserting printed circuit boards, prevent misconnections and to keep the boards from moving. Integral tabs on the bottom of the shell further help to hold boards in place, eliminating lateral movement. KO4700 housing shells can be potted.



Printed circuit boards can be mounted in three ways:

- Behind the Front Cover
- Horizontally
- Vertically

Depending on the enclosure type, one board can be mounted directly behind the front cover (parallel to the DIN rail). Boards can also be mounted horizontally (parallel to the DIN rail) or vertically (perpendicular to the DIN rail). (Refer to the Ordering Pages for board patterns and location of board guides.)



The housing cover snaps onto the housing shell. Two keyed tabs lock the cover firmly in place. Removal of the cover is possible for service and repair.

COVER DESIGNS

Single piece, tan color covers are typically used with the smaller enclosures. They incorporate terminals and connections to the inside of the enclosure. In some of the smaller enclosures, the cover doubles as a plug.

A printed circuit board can be mounted directly behind the front cover. This board is ideal for mounting components used for setting, adjusting and monitoring such as switches, potentiometer, LEDs and LCDs. There is no interference with any other boards mounted within the enclosure.

Modular covers consist of a one-piece tan frame with matching flat front panel. Some versions have a front cover panel that is removable and offered in matching tan or clear. The front covers can be custom imprinted or marking plates can be produced and installed behind the transparent front cover panel.



TERMINAL DESIGNS

Select from Pressure Plate or Box Clamp terminals with wire protectors, and fixed or pluggable terminal-to-board connections. (Please refer to the Ordering Pages). Removable fixed or pluggable terminal strips can be replaced by terminal plugs if not all of the external connections of the standard enclosure are needed. The terminal screws used with both the pressure plate and box clamp designs can be operated with a flat tip or a #1 or #2 Philips type screwdriver.

Pressure Plate Termination

This type of terminal consists of a pressure plate (captive to the terminal screw) and the terminal bottom. The pressure plate rises automatically when the screw is loosened. One or two wires, of equal or different sizes up to 2.5mm² (14 AWG) can be terminated. The grooved corners of the pressure plate ensure positive retention of wire(s). The flat bottom of the terminal extends to the inside of the enclosure and connects the terminal to the board(s) inside.



Box Clamp Termination

The box clamp terminal accepts wires up to 4mm² (12 AWG). When the terminal screw is tightened, the serrated bottom of the wire protector pushes the wire to be terminated against the serrated busbar. The busbar extends to the inside of the enclosure to provide the terminal-to-board connection.

TERMINAL-TO-BOARD CONNECTIONS

The KO4700 Series offers fixed and pluggable terminal-to-board connection possibilities. (Please refer to the Ordering Pages on the following pages for your selection.)

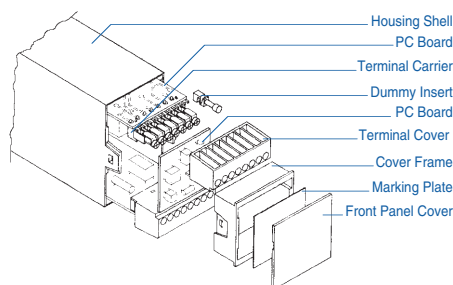
Fixed Connections

Fixed terminal-to-board connections can be made by Wire Jumper, Fast On tabs, Solder tabs, or Machine Solderable Pins.

Fast On tabs, 2.8mm (.11 in.) accept industry standard Fast On connectors. Use with wire jumpers to connect to board(s).

Wire Jumper

connections can also be made by soldering a wire jumper between the center hole of the Fast On tab and the printed circuit board(s).



Solder Tab can be hand soldered to the board.

Machine Solderable Pins can be machine soldered to the board in the same step as the other components, saving assembly time. The metal parts of the terminals are supplied as separate strips which snap into the terminal housing after soldering.

Pluggable Connections

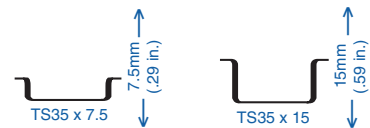
The pluggable terminal strips of the KO4700 series fit across the width of the enclosure and plug directly into the board(s) by using a Card Edge connector. Enclosures equipped with pressure plate terminals also provide Solder Tabs for terminal-to-board connections when mounting an additional board directly behind the front cover. A Wire Jumper can be soldered to these tabs as well.

For better retention, the strips have captive screws at each end that insert into brass bushings, molded into the housing shell. Up to four terminal strips can be used per enclosure. The pluggable versions are ideal whenever quick connections and replacement of boards and devices is important. They also reduce the danger of misconnected wires and downtime.

MOUNTING

The KO4700 Series enclosures are designed to be mounted on standard 35 x 7.5mm DIN rail but will also fit on the 35 x 15mm DIN rail. The extra high enclosures should be mounted on the deeper, 35 x 15mm DIN rail. (Refer to the Ordering Pages on the following pages to determine the correct size rail for the enclosure you select.)

KO4700 series enclosures can also be panel mounted using pull-out tabs on the base of the enclosure. One tab is factory installed on each enclosure. Up to a total of 6 pull-out mounting tabs can be installed (See Accessories) (Refer to page 19 for mounting instructions.)



MARKING

KO4700 enclosures have a flat center area on the cover for marking and mounting of components. Several types have removable front cover panels, which can be marked at a separate location. Imprinted marking plates can be used in conjunction with the transparent, removable cover panel.

ACCESSORIES

- Terminal Cover Strips
- Pull-Out Panel Mounting Tabs
- Screws for Mounting Printed Circuit Board
- 35 x 7.5mm DIN Rail
- 35 x 15mm DIN Rail

CUSTOMIZATION

Enclosures can be customized to the exact number of terminals needed. We can punch, drill or cut custom cutouts and holes for potentiometers, switches, LEDs or LDCs. Custom colors and special markings are also available. Please call us for further information.



MODULAR ENCLOSURES

A new group of modular enclosures has been added to the KO4700 series. These enclosures can be ordered in a variety of terminal arrangements allowing for many different customized configurations. Terminal sets are available in 3, 4 and 7 pole blocks as well as blank blocks without terminals. High Current terminals are also available on some models. This new modular terminal design allows anywhere from 0 to 56 terminals for field wire connections.

The KO4700 modular enclosures have the same design features of the standard series as well as the same materials. The terminals are of the box clamp style. The standard terminals feature pluggable connections while solder connections are used on the high current terminals. Printed circuit board placement is horizontal (parallel to the DIN rail) or vertical (perpendicular to the DIN rail).



Ordering Information

The modular enclosures are ordered in separate pieces. A complete enclosure consists of a base, cover frame*, cover panel* and the appropriate number of terminal blocks. Standard terminal blocks can be ordered as blank blocks with no termination points or with 3, 4, or 7 terminations. High current terminal blocks are available on some models. These blocks can also be ordered as blank blocks with no terminations or with 3 terminations. (Please refer to the Ordering Pages on the following pages for a list of how many blocks should be ordered per enclosure).

* High current versions have one piece center cover section instead of this two piece design.

KO4700 Enclosure Series

8 Terminal

Solder
Connection



TECHNICAL INFORMATION

Electrical: 16A, 300V, 22-12 AWG
Housing Material: Glass-filled Polycarbonate
Cover Material: Glass-filled Polycarbonate
Temperature Range: Up to 125°C (257°F)
Flammability Rating: UL94 V-O (V-2 Clear Panel)
Color: Black Housing with Tan Cover

Terminal Type: Box Clamp
Terminal Screw Size: M3.5
Recommended Torque: 0.8Nm
Max. PCB's: (2) Vertical (1) Behind cover
Mounting: 35mm DIN Rail or optional panel mounting*

ORDERING INFORMATION

Part Number	Type	Description	PCB Connection
90.201	KO4712	Solid Cover	Machine Solderable Pins
90.201.1	KO4712	Removable Cover Panel, Tan	Machine Solderable Pins
90.201.2	KO4712	Removable Cover Panel, Clear	Machine Solderable Pins

ACCESSORIES

Accessories	Part Number	Type
1 Meter DIN Rail	2511120/1M	TS35x7.5/1M
*Panel Mount Tab	93.001.2	PMA

ENCLOSURE DRAWING (To convert to inches divide by 25.4.)



PCB DRAWING (To convert to inches divide by 25.4.)



8 Terminal

Solder/Tab
Connection



TECHNICAL INFORMATION

Electrical: 16A, 300V, 22-12 AWG
Housing Material: Glass-filled Polycarbonate
Cover Material: Glass-filled Polycarbonate
Temperature Range: Up to 125°C (257°F)
Flammability Rating: UL94 V-O (V-2 Clear Panel)
Color: Black Housing with Tan Cover

Terminal Type: Box Clamp
Terminal Screw Size: M3.5
Recommended Torque: 0.8Nm
Max. PCB's: (2) Vertical
Mounting: 35mm DIN Rail or optional panel mounting*

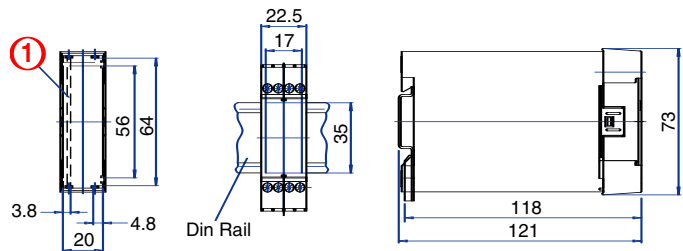
ORDERING INFORMATION

Part Number	Type	Description	PCB Connection
90.202	KO4712B	Solid Cover	Wire Jumper
90.202.1	KO4712B	Removable Cover Panel, Tan	Wire Jumper
90.202.2	KO4712B	Removable Cover Panel, Clear	Wire Jumper

ACCESSORIES

Accessories	Part Number	Type
1 Meter DIN Rail	2511120/1M	TS35x7.5/1M
*Panel Mount Tab	93.001.2	PMA

ENCLOSURE DRAWING (To convert to inches divide by 25.4.)



PCB DRAWING (To convert to inches divide by 25.4.)



10 Terminal

Spring Clamp
Solder/Tab Connection



TECHNICAL INFORMATION

Electrical: 16A, 300V, 24-14 AWG
Housing Material: Glass-filled Polycarbonate
Cover Material: Glass-filled Polycarbonate
Temperature Range: Up to 125°C (257°F)
Flammability Rating: UL94 V-O
Color: Black Housing with Tan Cover

Terminal Type: Spring Cage Clamp
Terminal Screw Size: –
Recommended Torque: –
Max. PCB's: (2) Vertical
Mounting: 35mm DIN Rail

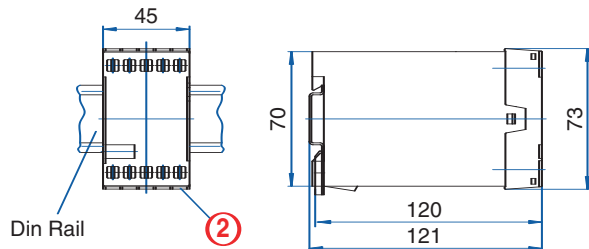
ORDERING INFORMATION

Part Number	Type	Description	PCB Connection
90.215	KO4761	Solid Cover	Wire Jumper/ Fast On

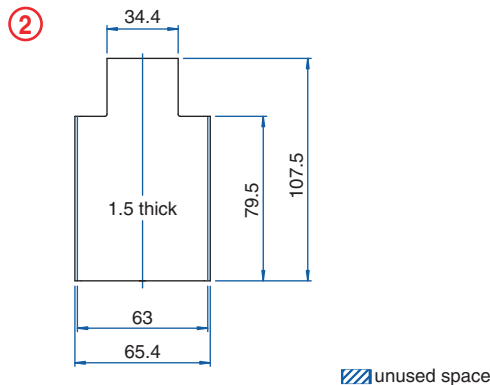
ACCESSORIES

Accessories	Part Number	Type
1 Meter DIN Rail	2511120/1M	TS35x7.5/1M

ENCLOSURE DRAWING (To convert to inches divide by 25.4.)



PCB DRAWING (To convert to inches divide by 25.4.)



10 Terminal

Solder/Tab
Connection



TECHNICAL INFORMATION

Electrical: 25A, 300V, 22-14 AWG
Housing Material: Glass-filled Polycarbonate
Cover Material: Glass-filled Polycarbonate
Temperature Range: Up to 125°C (257°F)
Flammability Rating: UL94 V-O
Color: Black Housing with Tan Cover

Terminal Type: Screw / Pressure Plate
Terminal Screw Size: M3.5
Recommended Torque: 0.8Nm
Max. PCB's: (2) Vertical
Mounting: 35mm DIN Rail

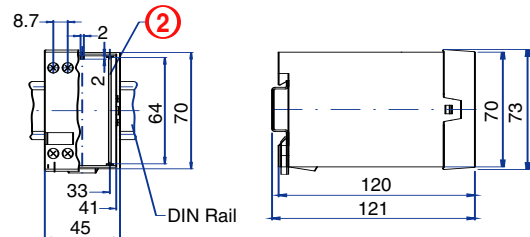
ORDERING INFORMATION

Part Number	Type	Description	PCB Connection
90.230	KO4762	Solid Cover	Wire Jumper/ Fast On

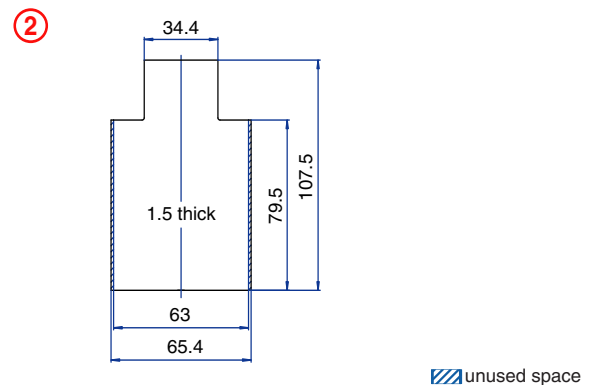
ACCESSORIES

Accessories	Part Number	Type
1 Meter DIN Rail	2511120/1M	TS35x7.5/1M

ENCLOSURE DRAWING (To convert to inches divide by 25.4.)



PCB DRAWING (To convert to inches divide by 25.4.)



16 Terminal Solder Connection



TECHNICAL INFORMATION

Electrical: 16A, 300V, 22-12 AWG	Terminal Type: Box Clamp
Housing Material: Glass-filled Polycarbonate	Terminal Screw Size: M3.5
Cover Material: Glass-filled Polycarbonate	Recommended Torque: 0.8Nm
Temperature Range: Up to 125°C (257°F)	Max. PCB's: (2) Vertical (1) Horizontal
Flammability Rating: UL94 V-O (V-2 clear panel)	Mounting: 35mm DIN Rail
Color: Black Housing with Tan Cover	

ORDERING INFORMATION

Part Number	Type	Description	PCB Connection
90.290	KO4763A	Solid Cover	Machine Solderable Pins
90.291	KO4763A	Removable Cover Panel, Tan	Machine Solderable Pins
90.292	KO4763A	Removable Cover Panel, Clear	Machine Solderable Pins

ACCESSORIES

Accessories	Part Number	Type
1 Meter DIN Rail	2511120/1M	TS35x7.5/1M

ENCLOSURE DRAWING (To convert to inches divide by 25.4.)



PCB DRAWING (To convert to inches divide by 25.4.)



16 Terminal Solder/Tab Connection



TECHNICAL INFORMATION

Electrical: 16A, 300V, 22-12 AWG	Terminal Type: Box Clamp
Housing Material: Glass-filled Polycarbonate	Terminal Screw Size: M3.5
Cover Material: Glass-filled Polycarbonate	Recommended Torque: 0.8Nm
Temperature Range: Up to 125°C (257°F)	Max. PCB's: (2) Vertical (1) Horizontal
Flammability Rating: UL94 V-O (V-2 clear panel)	Mounting: 35mm DIN Rail
Color: Black Housing with Tan Cover	

ORDERING INFORMATION

Part Number	Type	Description	PCB Connection
90.300	KO4763B	Solid Cover	Wire Jumper
90.301	KO4763B	Removable Cover Panel, Tan	Wire Jumper
90.302	KO4763B	Removable Cover Panel, Clear	Wire Jumper

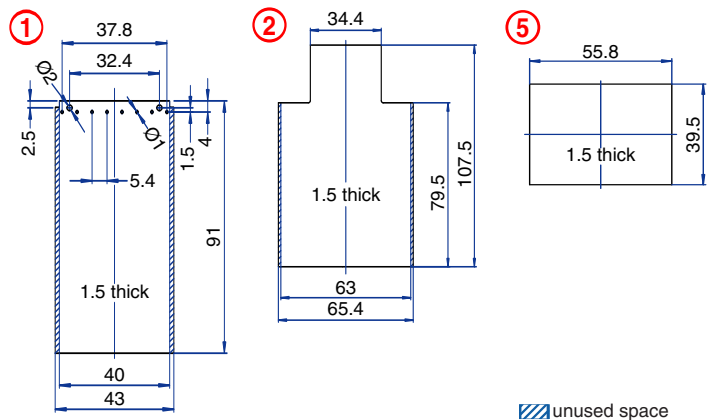
ACCESSORIES

Accessories	Part Number	Type
1 Meter DIN Rail	2511120/1M	TS35x7.5/1M

ENCLOSURE DRAWING (To convert to inches divide by 25.4.)



PCB DRAWING (To convert to inches divide by 25.4.)



16 Terminal Pluggable Connection



TECHNICAL INFORMATION

Electrical: 10A, 300V, 22-12 AWG	Terminal Type: Box Clamp
Housing Material: Glass-filled Polycarbonate	Terminal Screw Size: M3.5
Cover Material: Glass-filled Polycarbonate	Recommended Torque: 0.8Nm
Temperature Range: Up to 125°C (257°F)	Max. PCB's: (2) Vertical (1) Horizontal
Flammability Rating: UL94 V-O (V-2 clear panel)	Mounting: 35mm DIN Rail
Color: Black Housing with Tan Cover	

ORDERING INFORMATION

Part Number	Type	Description	PCB Connection
90.320	KO4763P	Solid Cover	Card Edge
90.321	KO4763P	Removable Cover Panel, Tan	Card Edge
90.322	KO4763P	Removable Cover Panel, Clear	Card Edge

ACCESSORIES

Accessories	Part Number	Type
1 Meter DIN Rail	2511120/1M	TS35x7.5/1M

ENCLOSURE DRAWING (To convert to inches divide by 25.4.)



PCB DRAWING (To convert to inches divide by 25.4.)



20 Terminal Pluggable Connection



TECHNICAL INFORMATION

Electrical: 10A, 300V, 22-14 AWG	Terminal Type: Screw / Pressure Plate
Housing Material: Glass-filled Polycarbonate	Terminal Screw Size: M3.5
Cover Material: Glass-filled Polycarbonate	Recommended Torque: 0.8Nm
Temperature Range: Up to 125°C (257°F)	Max. PCB's: (5) Vertical (1) Horizontal behind cover
Flammability Rating: UL94 V-O (V-2 clear panel)	Mounting: 35mm DIN Rail or optional panel mounting*
Color: Black Housing with Tan Cover	

ORDERING INFORMATION

Part Number	Type	Description	PCB Connection
90.350	KO4718P	Solid Cover	Card Edge/ Wire Jumper
90.351	KO4718P	Removable Cover Panel, Tan	Card Edge/ Wire Jumper
90.352	KO4718P	Removable Cover Panel, Clear	Card Edge/ Wire Jumper

ACCESSORIES

Accessories	Part Number	Type
1 Meter DIN Rail	2511120/1M	TS35x7.5/1M
*Panel Mount Tab (need 2)	93.001.2	PMA

ENCLOSURE DRAWING (To convert to inches divide by 25.4.)



PCB DRAWING (To convert to inches divide by 25.4.)



KO4700 Enclosure Series

22 Terminal

Solder Connection



TECHNICAL INFORMATION

Electrical: 16A, 300V, 22-12 AWG	Terminal Type: Box Clamp
Housing Material: Glass-filled Polycarbonate	Terminal Screw Size: M3.5
Cover Material: Glass-filled Polycarbonate	Recommended Torque: 0.8Nm
Temperature Range: Up to 125°C (257°F)	Max. PCB's: (5) Vertical (1) Behind cover
Flammability Rating: UL94 V-O (V-2 Clear Panel)	Mounting: 35mm DIN Rail or optional panel mounting*
Color: Black Housing with Tan Cover	

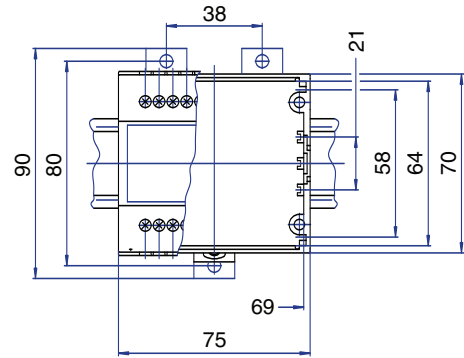
ORDERING INFORMATION

Part Number	Type	Description	PCB Connection
90.380	KO4713A	Solid Cover	Machine Solderable Pins
90.381	KO4713A	Removable Cover Panel, Tan	Machine Solderable Pins
90.382	KO4713A	Removable Cover Panel, Clear	Machine Solderable Pins

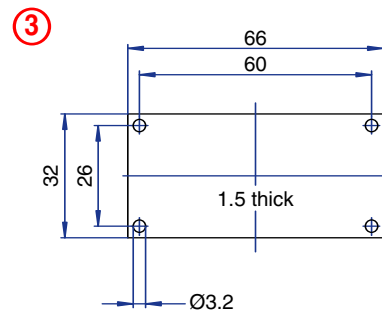
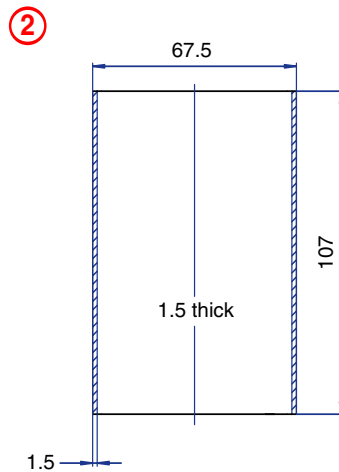
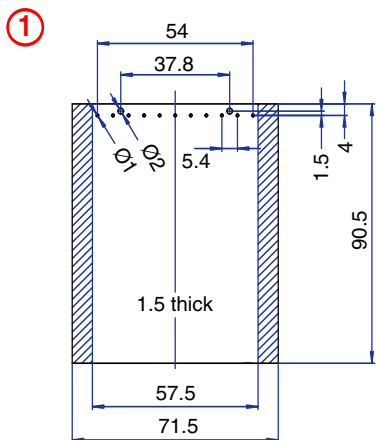
ACCESSORIES

Accessories	Part Number	Type
1 Meter DIN Rail	2511120/1M	TS35x7.5/1M
*Panel Mount Tab (need 2)	93.001.2	PMA

ENCLOSURE DRAWING (To convert to inches divide by 25.4.)



PCB DRAWING (To convert to inches divide by 25.4.)



Unused space

22 Terminal

Pluggable
Connection



TECHNICAL INFORMATION

Electrical:

10A, 300V, 22-12 AWG

Housing Material:

Glass-filled Polycarbonate

Cover Material:

Glass-filled Polycarbonate

Temperature Range:

Up to 125°C (257°F)

Flammability Rating:

UL94 V-O (V-2 clear panel)

Color:

Black Housing with Tan Cover

Terminal Type:

Box Clamp

Terminal Screw Size:

M3.5

Recommended Torque:

0.8Nm

Max. PCB's:

(5) Vertical
(1) Behind cover

Mounting:

35mm DIN Rail or
optional panel mounting*

ORDERING INFORMATION

Part Number	Type	Description	PCB Connection
90.410	KO4713P	Solid Cover	Card Edge
90.411	KO4713P	Removable Cover Panel, Tan	Card Edge
90.412	KO4713P	Removable Cover Panel, Clear	Card Edge

ACCESSORIES

Accessories	Part Number	Type
1 Meter DIN Rail	2511120/1M	TS35x7.5/1M
*Panel Mount Tab (need 2)	93.001.2	PMA

ENCLOSURE DRAWING (To convert to inches divide by 25.4.)



PCB DRAWING (To convert to inches divide by 25.4.)



unused space

KO4700 Enclosure Series

30 Terminal
Solder
Connection



TECHNICAL INFORMATION

Electrical: 16A, 300V, 22-12 AWG
Housing Material: Glass-filled Polycarbonate
Cover Material: Glass-filled Polycarbonate
Temperature Range: Up to 125°C (257°F)
Flammability Rating: UL94 V-O (V-2 clear panel)
Color: Black Housing with Tan Cover

Terminal Type: Box Clamp
Terminal Screw Size: M3.5
Recommended Torque: 0.8Nm
Max. PCB's: (5) Vertical (1) Behind Cover
Mounting: 35mm DIN Rail or optional panel mounting*

ORDERING INFORMATION

Part Number	Type	Description	PCB Connection
90.440	KO4717A	Solid Cover	Machine Solderable Pins
90.441	KO4717A	Removable Cover Panel, Tan	Machine Solderable Pins
90.442	KO4717A	Removable Cover Panel, Clear	Machine Solderable Pins

ACCESSORIES

Accessories	Part Number	Type
1 Meter DIN Rail	2511120/1M	TS35x7.5/1M
*Panel Mount Tab (need 2)	93.001.2	PMA

ENCLOSURE DRAWING (To convert to inches divide by 25.4.)



PCB DRAWING (To convert to inches divide by 25.4.)



▨ unused space

30 Terminal Pluggable Connection



TECHNICAL INFORMATION

Electrical: 10A, 300V, 22-12 AWG	Terminal Type: Box Clamp
Housing Material: Glass-filled Polycarbonate	Terminal Screw Size: M3.5
Cover Material: Glass-filled Polycarbonate	Recommended Torque: 0.8Nm
Temperature Range: Up to 125°C (257°F)	Max. PCB's: (5) Vertical (1) Behind Cover
Flammability Rating: UL94 V-O (V-2 clear panel)	Mounting: 35mm DIN Rail or optional panel mounting*
Color: Black Housing with Tan Cover	

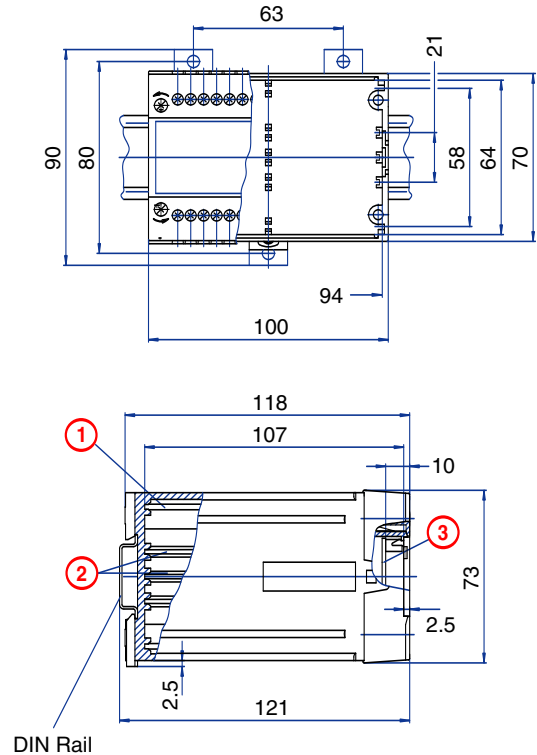
ORDERING INFORMATION

Part Number	Type	Description	PCB Connection
90.470	KO4717P	Solid Cover	Card Edge
90.471	KO4717P	Removable Cover Panel, Tan	Card Edge
90.472	KO4717P	Removable Cover Panel, Clear	Card Edge

ACCESSORIES

Accessories	Part Number	Type
1 Meter DIN Rail	2511120/1M	TS35x7.5/1M
*Panel Mount Tab (need 2)	93.001.2	PMA

ENCLOSURE DRAWING (To convert to inches divide by 25.4.)



PCB DRAWING (To convert to inches divide by 25.4.)



unused space

KO4700 Enclosure Series

32 Terminal

Pluggable and Solder Connection



TECHNICAL INFORMATION

Electrical: 10A, 300V, 22-14 AWG	Terminal Type: Screw/ Pressure Plate
Housing Material: Glass-filled Polycarbonate	Terminal Screw Size: M3.5
Cover Material: Glass-filled Polycarbonate	Recommended Torque: 0.8Nm
Temperature Range: Up to 125°C (257°F)	Max. PCB's: (5) Vertical
Flammability Rating: UL94 V-O (V-2 clear panel)	(1) Behind cover (1) Base Mount
Color: Black Housing with Tan Cover	Mounting: 35mm DIN Rail or optional panel mounting*

ORDERING INFORMATION

Part Number	Type	Description	PCB Connection
90.500	KO4719P	Solid Cover	Card Edge/ Wire Jumper
90.501	KO4719P	Removable Cover Panel, Tan	Card Edge/ Wire Jumper
90.502	KO4719P	Removable Cover Panel, Clear	Card Edge/ Wire Jumper

ACCESSORIES

Accessories	Part Number	Type
1 Meter DIN Rail	2511120/1M	TS35x7.5/1M
*Panel Mount Tab (need 3)	93.001.2	PMA

ENCLOSURE DRAWING (To convert to inches divide by 25.4.)



PCB DRAWING (To convert to inches divide by 25.4.)



unused space
 (a) with base mount PCB
 (b) without base mount PCB

42 Terminal

Pluggable and Solder Connection



TECHNICAL INFORMATION

Electrical:

10A, 300V, 22-14 AWG

Housing Material:

Glass-filled Polycarbonate

Cover Material:

Glass-filled Polycarbonate

Temperature Range:

Up to 125°C (257°F)

Flammability Rating:

UL94 V-O (V-2 clear panel)

Color:

Black Housing with Tan Cover

Terminal Type:

Screw/ Pressure Plate

Terminal Screw Size:

M3.5

Recommended Torque:

0.8Nm

Max. PCB's:

(5) Vertical
(1) Behind cover

Mounting:

35mm DIN Rail or optional panel mounting*

ORDERING INFORMATION

Part Number	Type	Description	PCB Connection
90.530	KO4720P	Solid Cover	Card Edge/ Wire Jumper
90.531	KO4720P	Removable Cover Panel, Tan	Card Edge/ Wire Jumper
90.532	KO4720P	Removable Cover Panel, Clear	Card Edge/ Wire Jumper

ACCESSORIES

Accessories	Part Number	Type
1 Meter DIN Rail	2511120/1M	TS35x7.5/1M
*Panel Mount Tab (need 3)	93.001.2	PMA

ENCLOSURE DRAWING (To convert to inches divide by 25.4.)



PCB DRAWING (To convert to inches divide by 25.4.)



▨ unused space

KO4700 Enclosure Series



42 Terminal

Pluggable and Solder Connection

TECHNICAL INFORMATION

Electrical: 10A, 300V, 22-14 AWG	Terminal Type: Screw/ Pressure Plate
Housing Material: Glass-filled Polycarbonate	Terminal Screw Size: M3.5
Cover Material: Glass-filled Polycarbonate	Recommended Torque: 0.8Nm
Temperature Range: Up to 125°C (257°F)	Max. PCB's: (11) Vertical (1) Base Mount
Flammability Rating: UL94 V-O	Mounting: 35mm DIN Rail or optional panel mounting*
Color: Black Housing with Tan Cover	

ORDERING INFORMATION

Part Number	Type	Description	PCB Connection
90.560	KO4722SP	Solid Cover	Card Edge/ Wire Jumper

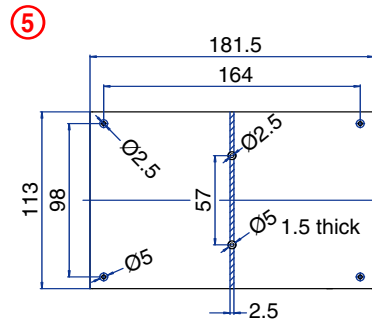
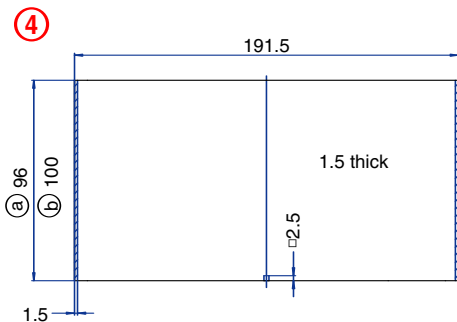
ACCESSORIES

Accessories	Part Number	Type
1 Meter DIN Rail	CA701/15-S	TS35x15/1M
*Panel Mount Tab (need 3)	93.001.2	PMA

ENCLOSURE DRAWING (To convert to inches divide by 25.4.)



PCB DRAWING (To convert to inches divide by 25.4.)



unused space
 (a) with base mount PCB
 (b) without base mount PCB



50 Terminal

Solder
Connection

TECHNICAL INFORMATION

Electrical: 16A, 300V, 22-12 AWG	Terminal Type: Box Clamp
Housing Material: Glass-filled Polycarbonate	Terminal Screw Size: M3.5
Cover Material: Glass-filled Polycarbonate	Recommended Torque: 0.8Nm
Temperature Range: Up to 125°C (257°F)	Max. PCB's: (5) Vertical
Flammability Rating: UL94 V-O (V-2 Clear Panel)	(1) Behind Cover
Color: Black Housing with Tan Cover	(1) Base Mount
	Mounting: 35mm DIN Rail or optional panel mounting*

ORDERING INFORMATION

Part Number	Type	Description	PCB Connection
90.590	KO4716A	Solid Cover	Machine Solderable Pins
90.591	KO4716A	Removable Cover Panel, Tan	Machine Solderable Pins
90.592	KO4716A	Removable Cover Panel, Clear	Machine Solderable Pins

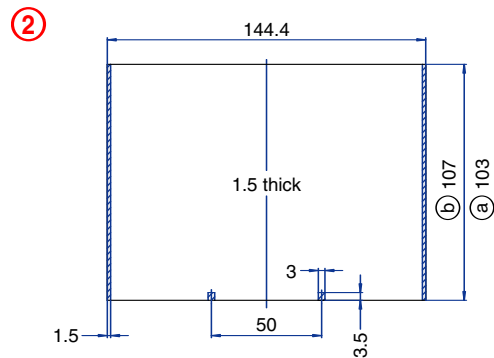
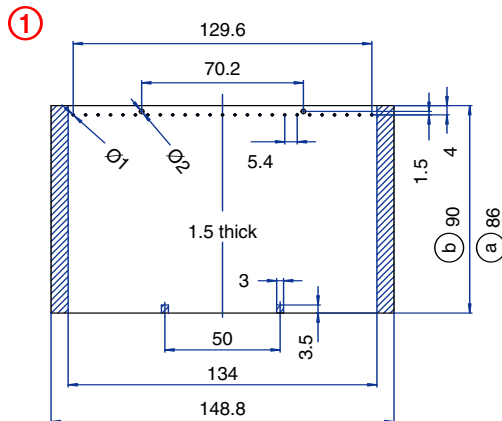
ACCESSORIES

Accessories	Part Number	Type
1 Meter DIN Rail	2511120/1M	TS35x7.5/1M
*Panel Mount Tab (need 3)	93.001.2	PMA

ENCLOSURE DRAWING (To convert to inches divide by 25.4.)



PCB DRAWING (To convert to inches divide by 25.4.)



unused space
 (a) with base mount PCB
 (b) without base mount PCB

KO4700 Enclosure Series

50 Terminal

Pluggable
Connection



TECHNICAL INFORMATION

Electrical: 10A, 300V, 22-12 AWG	Terminal Type: Box Clamp
Housing Material: Glass-filled Polycarbonate	Terminal Screw Size: M3.5
Cover Material: Glass-filled Polycarbonate	Recommended Torque: 0.8Nm
Temperature Range: Up to 125°C (257°F)	Max. PCB's: (5) Vertical (1) Behind cover (1) Base Mount
Flammability Rating: UL94 V-O (V-2 Clear Panel)	Mounting: 35mm DIN Rail or optional panel mounting*
Color: Black Housing with Tan Cover	

ORDERING INFORMATION

Part Number	Type	Description	PCB Connection
90.620	KO4716P	Solid Cover	Card Edge
90.621	KO4716P	Removable Cover Panel, Tan	Card Edge
90.622	KO4716P	Removable Cover Panel, Clear	Card Edge

ACCESSORIES

Accessories	Part Number	Type
1 Meter DIN Rail	2511120/1M	TS35x7.5/1M
*Panel Mount Tab (need 3)	93.001.2	PMA

ENCLOSURE DRAWING (To convert to inches divide by 25.4.)



PCB DRAWING (To convert to inches divide by 25.4.)





66 Terminal

Pluggable
Connection

TECHNICAL INFORMATION

Electrical:

10A, 300V, 22-12 AWG

Housing Material:

Glass-filled Polycarbonate

Cover Material:

Glass-filled Polycarbonate

Temperature Range:

Up to 125°C (257°F)

Flammability Rating:

UL94 V-O (V-2 Clear Panel)

Color:

Black Housing with Tan Cover

Terminal Type:

Box Clamp

Terminal Screw Size:

M3.5

Recommended Torque:

0.8Nm

Max. PCB's:

(5) Vertical

(1) Behind cover

Mounting:

35mm DIN Rail or optional panel mounting*

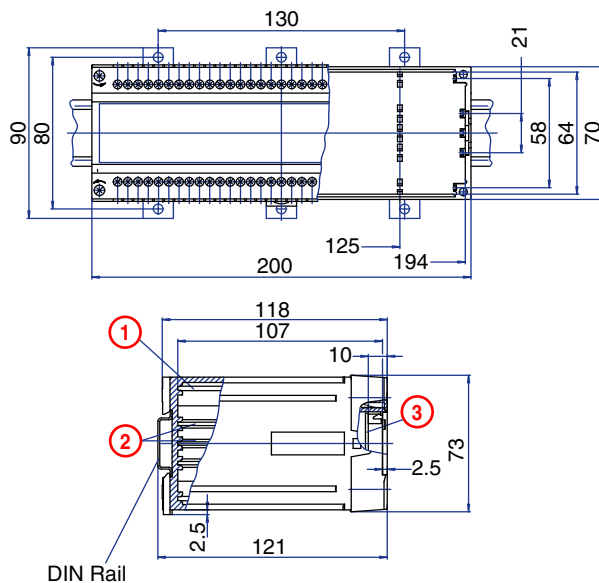
ORDERING INFORMATION

Part Number	Type	Description	PCB Connection
90.680	KO4721P	Solid Cover	Card Edge
90.681	KO4721P	Removable Cover Panel, Tan	Card Edge
90.682	KO4721P	Removable Cover Panel, Clear	Card Edge

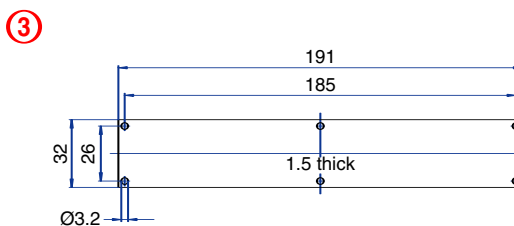
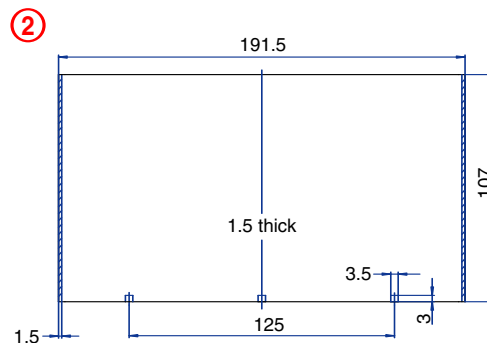
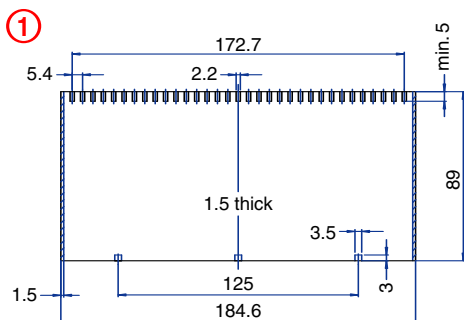
ACCESSORIES

Accessories	Part Number	Type
1 Meter DIN Rail	2511120/1M	TS35x7.5/1M
*Panel Mount Tab (need 3)	93.001.2	PMA

ENCLOSURE DRAWING (To convert to inches divide by 25.4.)



PCB DRAWING (To convert to inches divide by 25.4.)



unused space

KO4700 Enclosure Series

66 Terminal

Pluggable Connection



TECHNICAL INFORMATION

Electrical: 10A, 300V, 22-12 AWG	Terminal Type: Box Clamp
Housing Material: Glass-filled Polycarbonate	Terminal Screw Size: M3.5
Cover Material: Glass-filled Polycarbonate	Recommended Torque: 0.8Nm
Temperature Range: Up to 125°C (257°F)	Max. PCB's: (11) Vertical (1) Base Mount
Flammability Rating: UL94 V-O	Mounting: 35mm DIN Rail or optional panel mounting*
Color: Black Housing with Tan Cover	

ORDERING INFORMATION

Part Number	Type	Description	PCB Connection
90.710	KO4723SP	Solid Cover	Card Edge

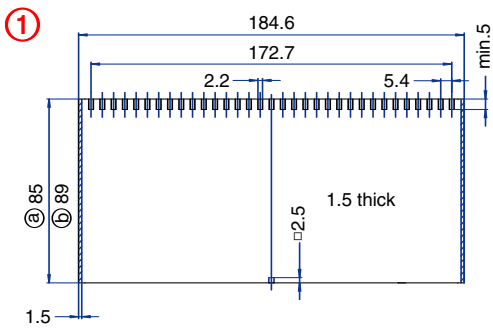
ACCESSORIES

Accessories	Part Number	Type
1 Meter DIN Rail	2511120/1M	TS35x7.5/1M
*Panel Mount Tab (need 3)	93.001.2	PMA

ENCLOSURE DRAWING (To convert to inches divide by 25.4.)



PCB DRAWING (To convert to inches divide by 25.4.)



unused space
 (a) with base mount PCB
 (b) without base mount PCB

84 Terminal

Pluggable and Solder Connection



TECHNICAL INFORMATION

Electrical: 10A, 300V, 22-14 AWG	Terminal Type: Screw / Pressure Plate
Housing Material: Glass-filled Polycarbonate	Terminal Screw Size: M3.5
Cover Material: Glass-filled Polycarbonate	Recommended Torque: 0.8Nm
Temperature Range: Up to 125°C (257°F)	Max. PCB's: (11) Vertical (1) Base Mount
Flammability Rating: UL94 V-0	Mounting: 35mm DIN Rail or optional panel mounting*
Color: Black Housing with Tan Cover	

ORDERING INFORMATION

Part Number	Type	Description	PCB Connection
90.740	KO4722DP	Solid Cover	Card Edge/ Wire Jumper

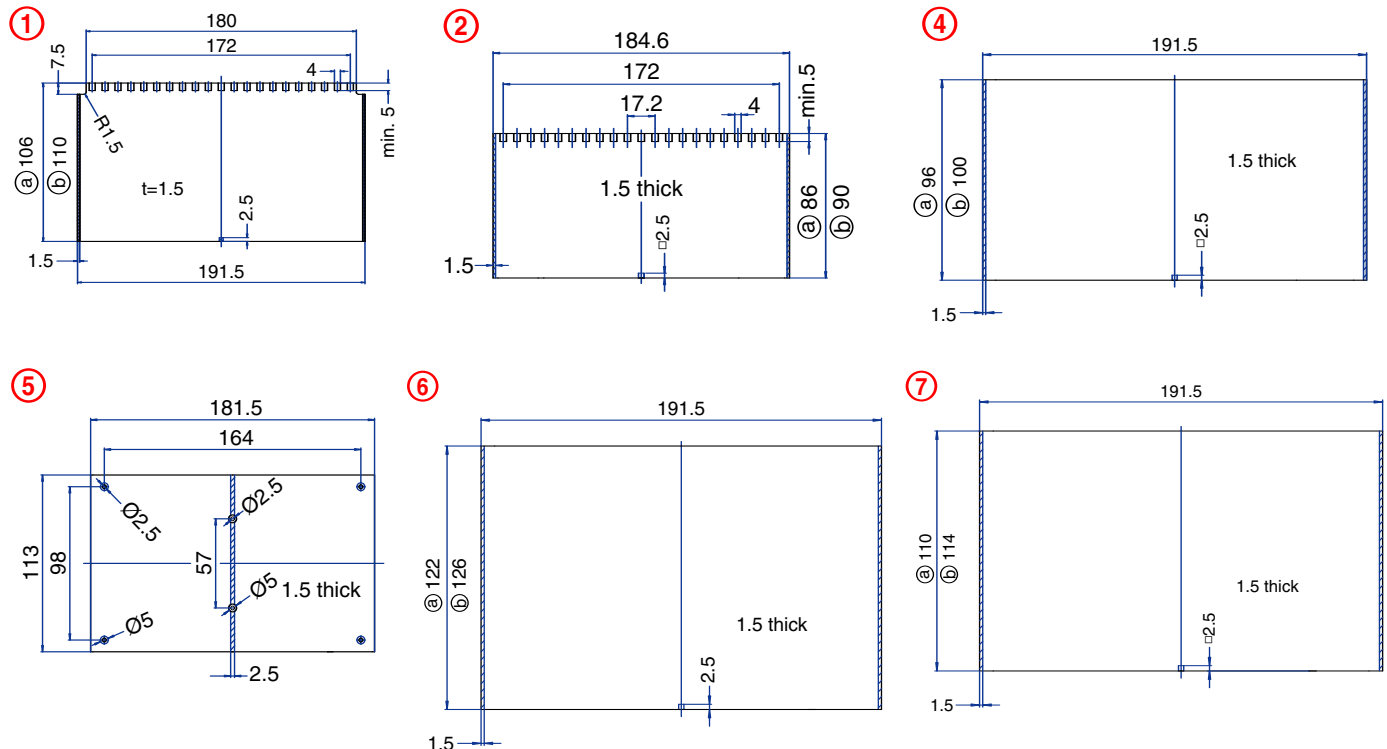
ACCESSORIES

Accessories	Part Number	Type
1 Meter DIN Rail	CA701/15-S	TS35x15/1M
*Panel Mount Tab (need 3)	93.001.2	PMA

ENCLOSURE DRAWING (To convert to inches divide by 25.4.)



PCB DRAWING (To convert to inches divide by 25.4.)



unused space
 (a) with base mount PCB
 (b) without base mount PCB

KO4700 Enclosure Series



132 Terminal

Pluggable
Connection

TECHNICAL INFORMATION

Electrical: 10A, 300V, 22-12 AWG	Terminal Type: Box Clamp
Housing Material: Glass-filled Polycarbonate	Terminal Screw Size: M3.5
Cover Material: Glass-filled Polycarbonate	Recommended Torque: 0.8Nm
Temperature Range: Up to 125°C (257°F)	Max. PCB's: (1) Vertical (1) Base Mount
Flammability Rating: UL94 V-O	Mounting: 35mm DIN Rail or optional panel mounting*
Color: Black Housing with Tan Cover	

ORDERING INFORMATION

Part Number	Type	Description	PCB Connection
90.770	KO4723DP	Solid Cover	Card Edge

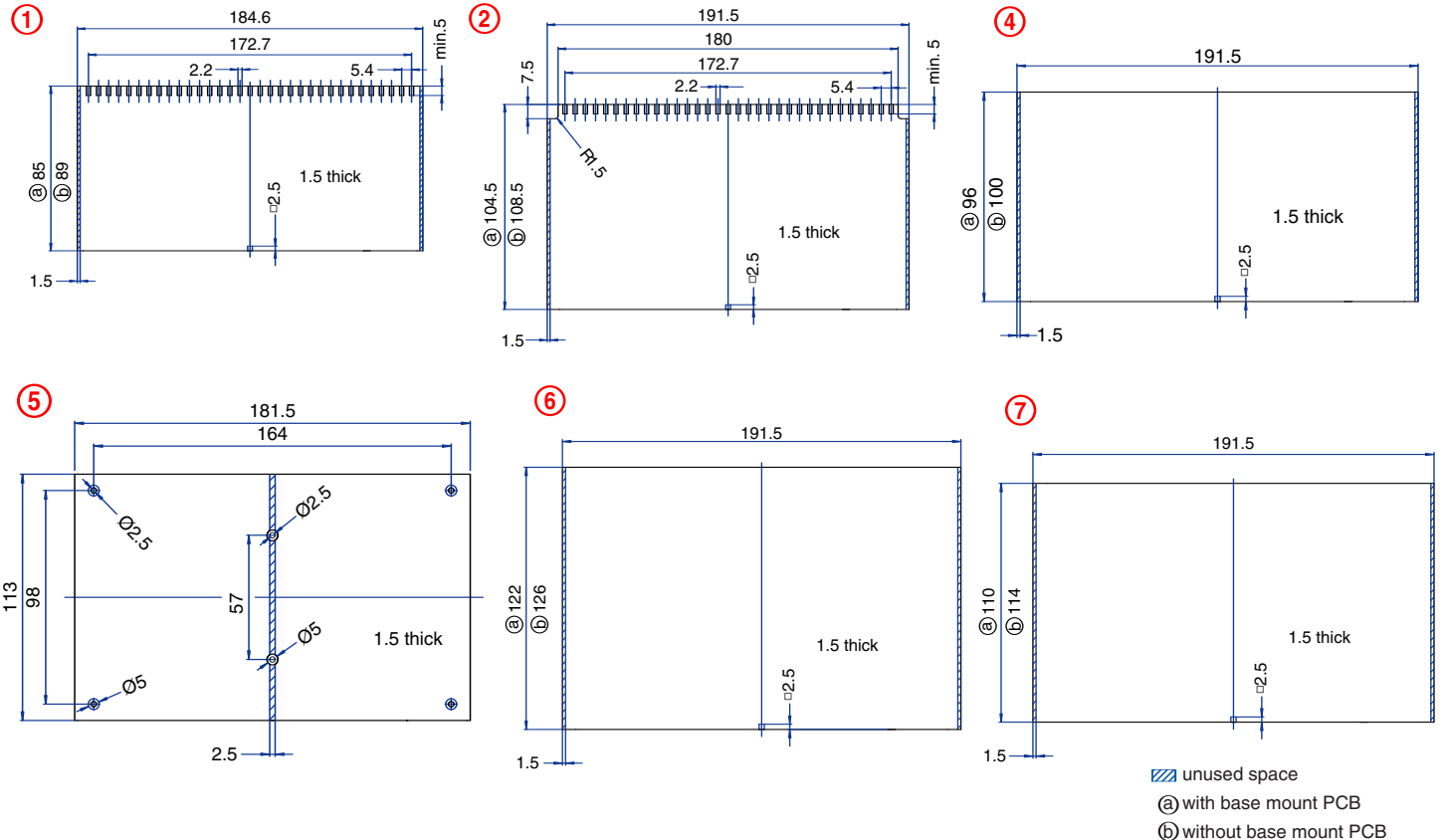
ACCESSORIES

Accessories	Part Number	Type
1 Meter DIN Rail	CA701/15-S	TS35x15/1M
*Panel Mount Tab (need 3)	93.001.2	PMA

ENCLOSURE DRAWING (To convert to inches divide by 25.4.)



PCB DRAWING (To convert to inches divide by 25.4.)



6 Terminal

with 6 High Current Terminals
Solder Connection



TECHNICAL INFORMATION

Electrical: 40A, 300V, 18-8 AWG	Terminal Type: Box Clamp
Housing Material: Glass-filled Polycarbonate	Terminal Screw Size: M3.5
Cover Material: Glass-filled Polycarbonate	Recommended Torque: 0.8Nm
Temperature Range: Up to 125°C (257°F)	Max. PCB's: (2) Vertical (2) Horizontal
Flammability Rating: UL94 V-O	Mounting: 35mm DIN Rail or optional panel mounting*
Color: Black Housing with Tan Cover	

ORDERING INFORMATION

Part Number	Type	Description
90.815	KO4734	Removable High Current Wire Jumper Terminals

ACCESSORIES

Accessories	Part Number	Type
1 Meter DIN Rail	2511120/1M	TS35x7.5/1M
*Panel Mount Tab	93.001.2	PMA

ENCLOSURE DRAWING (To convert to inches divide by 25.4.)



PCB DRAWING (To convert to inches divide by 25.4.)



KO4700 Enclosure Series - Modular

14 Terminal Maximum

Pluggable Card Edge Connection



TECHNICAL INFORMATION

Electrical: see chart for Amperages, 300V, 22-12 AWG	Terminal Type: Box clamp
Housing Material: Glass-filled Polycarbonate	Terminal Screw Size: M3.5
Cover Material: Glass-filled Polycarbonate	Recommended Torque: 0.8Nm
Temperature Range: Up to 125°C (257°F)	Max. PCB's: (2) Vertical (2) Horizontal
Flammability Rating: UL94 V-O (V-2 Clear Panel)	Mounting: 35mm DIN Rail or optional panel mounting*
Color: Black Housing with Tan Cover	

COMPLETE ENCLOSURE CONSISTS OF

- (1) Base Housing
- (1) Cover Frame
- (1) Cover Panel
- (2) Terminal or blanking blocks

ORDERING INFORMATION

Part Number	Type	Description
90.810	KO4730H	Base Housing
90.810.1	KO4730F	Cover Frame
90.810.2	KO4730P	Cover Panel, Tan
90.810.3	KO4730P-C	Cover Panel, Clear
90.810.4	KO4730P/S	Cover Panel with terminal release slots, Tan
90.810.5	KO4730P-C/S	Cover Panel with terminal release slots, Clear
90.803	KO473xT/3	Terminal Block, 3 terminals
90.804	KO473xT/4	Terminal Block, 4 terminals
90.807	KO473xT/7	Terminal Block, 7 terminals
90.800	KO473xT/B	Blanking Block, 0 terminals

ACCESSORIES

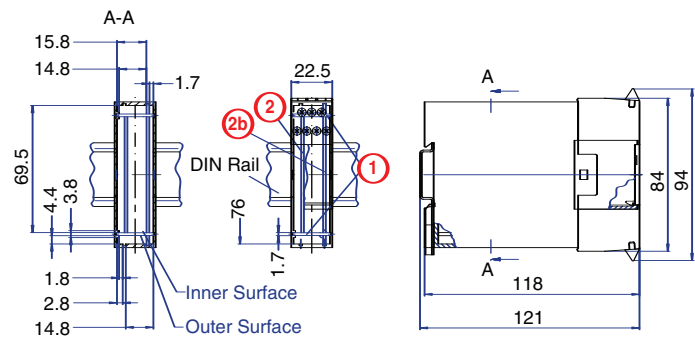
Accessories	Part Number	Type
1 Meter DIN Rail	2511120/1M	TS35x7.5/1M
*Panel Mount Tab	93.001.2	PMA

AMPERAGE CHART

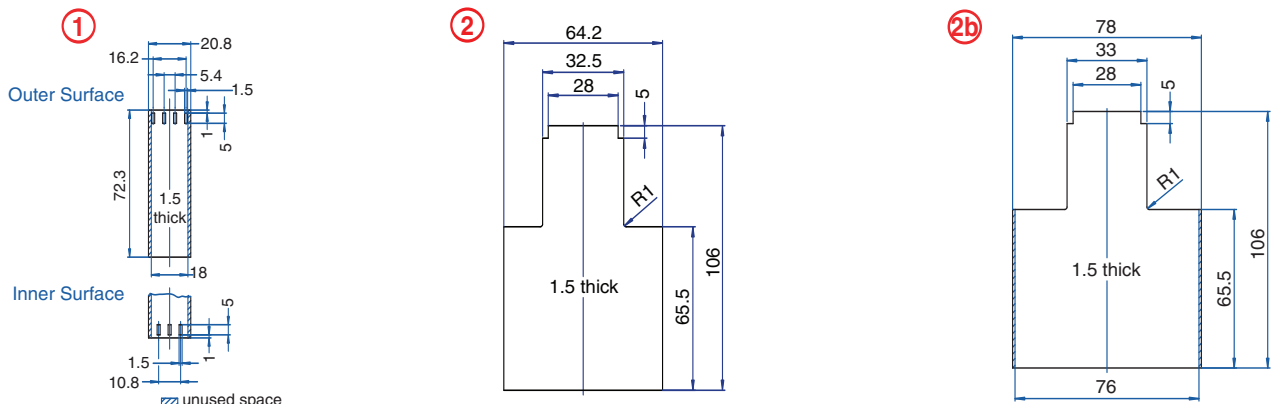
Max. Current Carrying Capacity of Terminal Blocks

	3 pole ○○○	4 pole ○○○○	7 pole ○○○○○
Max Amperage of Terminal Blocks	15A	28A	15A top row 28A bottom row
Max Amperage Per Terminal Point	5A	8A	5A top row 8A bottom row

ENCLOSURE DRAWING (To convert to inches divide by 25.4.)



PCB DRAWING (To convert to inches divide by 25.4.)



20 Terminal Maximum
with 6 High Current Terminals
Pluggable Card Edge
Connection / Solder Connection



TECHNICAL INFORMATION

Electrical:

see chart for Amperages,
 300V, 22-12 AWG standard
 18-8 AWG high current

Housing Material:

Glass-filled Polycarbonate

Cover Material:

Glass-filled Polycarbonate

Temperature Range:

Up to 125°C (257°F)

Flammability Rating:

UL94 V-O (V-2 Clear Panel)

Color:

Black Housing with Tan Cover

Terminal Type:

Box clamp

Terminal Screw Size:

M3.5

Recommended Torque:

0.8Nm

Max. PCB's:

- (2) Vertical
- (2) Horizontal

Mounting:

35mm DIN Rail or
 optional panel mounting*

ORDERING INFORMATION

Part Number	Type	Description
90.825	KO4735H	Base Housing
90.825.1	KO4735F	Cover Frame
90.820.2	KO4731/5P	Cover Panel, Tan
90.820.3	KO4731/5P-C	Cover Panel, Clear
90.820.4	KO4731/5P/S	Cover Panel with terminal release slots, Tan
90.820.5	KO4731/5P-C/S	Cover Panel with terminal release slots, Clear
90.803	KO473xT/3	Terminal Block, 3 terminals
90.804	KO473xT/4	Terminal Block, 4 terminals
90.807	KO473xT/7	Terminal Block, 7 terminals
90.800	KO473xT/B	Blanking Block, 0 terminals
90.808	KO473xHCT	High Current Block, 3 terminals

ACCESSORIES

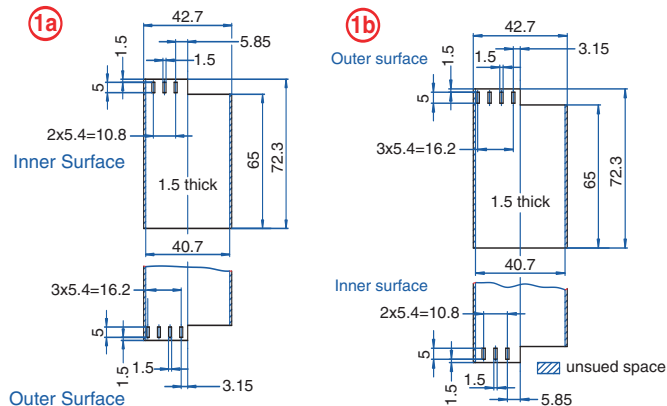
Accessories	Part Number	Type
1 Meter DIN Rail	2511120/1M	TS35x7.5/1M
*Panel Mount Tab	93.001.2	PMA

AMPERAGE CHART

Max. Current Carrying Capacity of Terminal Blocks

	3 pole	4 pole	7 pole	High Current
	○○○	○○○○	○○○○○	○○○
Max Amperage of Terminal Blocks	15A	28A	15A top row 28A bottom row	40A
Max Amperage Per Terminal Point	8A	8A	5A top row 8A bottom row	40A

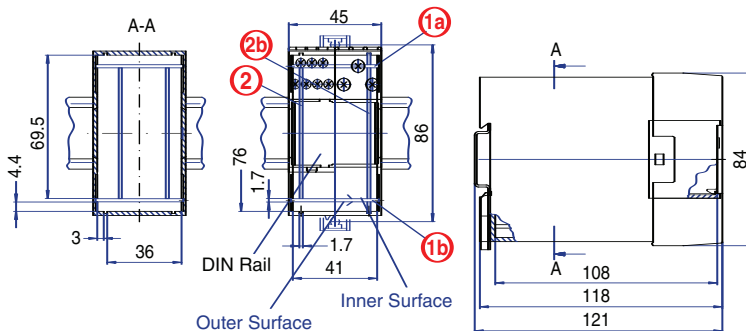
PCB DRAWING (To convert to inches divide by 25.4.)



COMPLETE ENCLOSURE CONSISTS OF

- (1) Base Housing
- (1) Center Cover
- (2) Terminal or blanking blocks
- (2) High current terminal blocks

ENCLOSURE DRAWING (To convert to inches divide by 25.4.)



KO4700 Enclosure Series - Modular

28 Terminal Maximum

Pluggable Card Edge Connection



TECHNICAL INFORMATION

Electrical: see chart for Amperages, 300V, 22-12 AWG	Terminal Type: Box clamp
Housing Material: Glass-filled Polycarbonate	Terminal Screw Size: M3.5
Cover Material: Glass-filled Polycarbonate	Recommended Torque: 0.8Nm
Temperature Range: Up to 125°C (257°F)	Max. PCB's: (2) Vertical (2) Horizontal
Flammability Rating: UL94 V-O (V-2 Clear Panel)	Mounting: 35mm DIN Rail or optional panel mounting*
Color: Black Housing with Tan Cover	

COMPLETE ENCLOSURE CONSISTS OF

- (1) Base Housing
- (1) Cover Frame
- (1) Cover Panel
- (4) Terminal or blanking blocks

ORDERING INFORMATION

Part Number	Type	Description
90.820	KO4731H	Base Housing
90.820.1	KO4731F	Cover Frame
90.820.2	KO4731/5P	Cover Panel, Tan
90.820.3	KO4731/5P-C	Cover Panel, Clear
90.820.4	KO4731/5P/S	Cover Panel with terminal release slots, Tan
90.820.5	KO4731/5P-C/S	Cover Panel with terminal release slots, Clear
90.803	KO473xT/3	Terminal Block, 3 terminals
90.804	KO473xT/4	Terminal Block, 4 terminals
90.807	KO473xT/7	Terminal Block, 7 terminals
90.800	KO473xT/B	Blanking Block, 0 terminals

ACCESSORIES

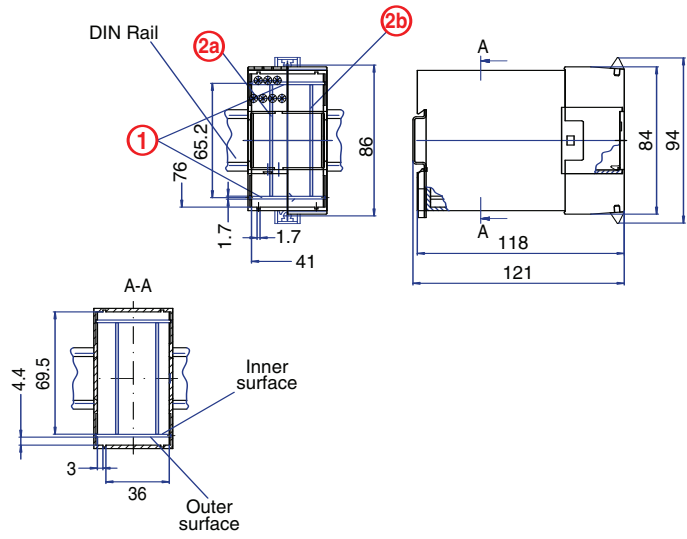
Accessories	Part Number	Type
1 Meter DIN Rail	2511120/1M	TS35x7.5/1M
*Panel Mount Tab	93.001.2	PMA

AMPERAGE CHART

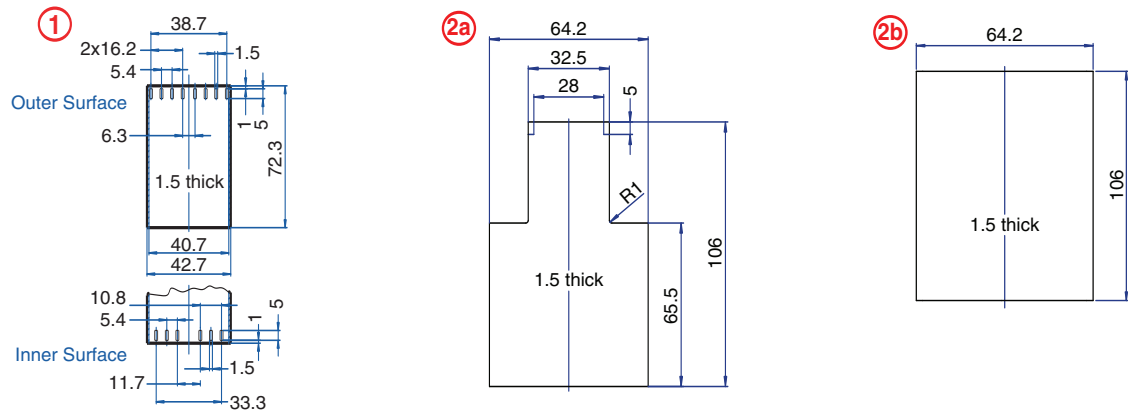
Max. Current Carrying Capacity of Terminal Blocks

	3 pole ○○○	4 pole ○○○○	7 pole ○○○ ○○○○
Max Amperage of Terminal Blocks	15A	28A	15A top row 28A bottom row
Max Amperage Per Terminal Point	5A	8A	5A top row 8A bottom row

ENCLOSURE DRAWING (To convert to inches divide by 25.4.)



PCB DRAWING (To convert to inches divide by 25.4.)



34 Terminal Maximum

with 6 High Current Terminals
Pluggable Card Edge
Connection/ Solder Connection



TECHNICAL INFORMATION

Electrical:

see chart for Amperages,
300V, 22-12 AWG standard
18-8 AWG high current

Housing Material:

Glass-filled Polycarbonate

Cover Material:

Glass-filled Polycarbonate

Temperature Range:

Up to 125°C (257°F)

Flammability Rating:

UL94 V-O (V-2 Clear Panel)

Color:

Black Housing with Tan Cover

Terminal Type:

Box clamp

Terminal Screw Size:

M3.5

Recommended Torque:

0.8Nm

Max. PCB's:

(3) Vertical

(2) Horizontal

(1) Parallel with cover

Mounting:

35mm DIN Rail or

optional panel mounting*

ORDERING INFORMATION

Part Number	Type	Description
90.830	KO4732/6H	Base Housing
90.830.6	KO4736F	Center Cover
90.803	KO473xT/3	Terminal Block, 3 terminals
90.804	KO473xT/4	Terminal Block, 4 terminals
90.807	KO473xT/7	Terminal Block, 7 terminals
90.800	KO473xT/B	Blanking Block, 0 terminals
90.808	KO473xHCT	High Current Block, 3 terminals

ACCESSORIES

Accessories	Part Number	Type
1 Meter DIN Rail	2511120/1M	TS35x7.5/1M
*Panel Mount Tab (need 2)	93.001.2	PMA

AMPERAGE CHART

Max. Current Carrying Capacity of Terminal Blocks

	3 pole ○○○	4 pole ○○○○	7 pole ○○○○○	High Current ○○○
Max Amperage of Terminal Blocks	15A	28A	15A top row 28A bottom row	40A
Max Amperage Per Terminal Point	8A	8A	5A top row 8A bottom row	40A

PCB DRAWING (To convert to inches divide by 25.4.)



COMPLETE ENCLOSURE CONSISTS OF

- (1) Base Housing
- (1) Center Cover
- (4) Terminal or blanking blocks
- (2) High current terminal blocks

ENCLOSURE DRAWING (To convert to inches divide by 25.4.)



KO4700 Enclosure Series - Modular

40 Terminal Maximum
with 12 High Current Terminals
Pluggable Card Edge
Connection / Solder Connection



TECHNICAL INFORMATION

Electrical:
see chart for Amperages,
300V, 22-12 AWG standard
18-8 AWG high current

Housing Material:
Glass-filled Polycarbonate

Cover Material:
Glass-filled Polycarbonate

Temperature Range:
Up to 125°C (257°F)

Flammability Rating:
UL94 V-O (V-2 Clear Panel)

Color:
Black Housing with Tan Cover

Terminal Type:
Box clamp

Terminal Screw Size:
M3.5

Recommended Torque:
0.8Nm

Max. PCB's:
(4) Vertical
(2) Horizontal
(1) Parallel with cover

Mounting:
35mm DIN Rail or
optional panel mounting*

ORDERING INFORMATION

Part Number	Type	Description
90.845	KO4737H	Base Housing
90.845.6	KO4737F	Center Cover
90.803	KO473xT/3	Terminal Block, 3 terminals
90.804	KO473xT/4	Terminal Block, 4 terminals
90.807	KO473xT/7	Terminal Block, 7 terminals
90.800	KO473xT/B	Blanking Block, 0 terminals
90.808	KO473xHCT	High Current Block, 3 terminals

ACCESSORIES

Accessories	Part Number	Type
1 Meter DIN Rail	2511120/1M	TS35x7.5/1M
*Panel Mount Tab (need 2)	93.001.2	PMA

AMPERAGE CHART

Max. Current Carrying Capacity of Terminal Blocks

	3 pole ○○○	4 pole ○○○○	7 pole ○○○○○ ○○○○○	High Current ○○○
Max Amperage of Terminal Blocks	15A	28A	15A top row 28A bottom row	40A
Max Amperage Per Terminal Point	8A	8A	5A top row 8A bottom row	40A

PCB DRAWING (To convert to inches divide by 25.4.)



COMPLETE ENCLOSURE CONSISTS OF

- (1) Base Housing
- (1) Center Cover
- (4) Terminal or blanking blocks
- (4) High current terminal blocks

ENCLOSURE DRAWING (To convert to inches divide by 25.4.)



42 Terminal Maximum

Pluggable Card Edge Connection



TECHNICAL INFORMATION

Electrical:

see chart for Amperages,
300V, 22-12 AWG

Housing Material:

Glass-filled Polycarbonate

Cover Material:

Glass-filled Polycarbonate

Temperature Range:

Up to 125°C (257°F)

Flammability Rating:

UL94 V-O (V-2 Clear Panel)

Color:

Black Housing with Tan Cover

Terminal Type:

Box clamp

Terminal Screw Size:

M3.5

Recommended Torque:

0.8Nm

Max. PCB's:

- (3) Vertical
- (2) Horizontal
- (1) Parallel with cover

Mounting:

35mm DIN Rail or optional panel mounting*

COMPLETE ENCLOSURE CONSISTS OF

- (1) Base Housing
- (1) Cover Frame
- (1) Cover Panel
- (6) Terminal or blanking blocks

ORDERING INFORMATION

Part Number	Type	Description
90.830	KO4732/6H	Base Housing
90.830.1	KO4732F	Cover Frame
90.830.2	KO4732P	Cover Panel, Tan
90.830.3	KO4732P-C	Cover Panel, Clear
90.830.4	KO4732P/S	Cover Panel with terminal release slots, Tan
90.830.5	KO4732P-C/S	Cover Panel with terminal release slots, Clear
90.803	KO473xT/3	Terminal Block, 3 terminals
90.804	KO473xT/4	Terminal Block, 4 terminals
90.807	KO473xT/7	Terminal Block, 7 terminals
90.800	KO473xT/B	Blanking Block, 0 terminals

ACCESSORIES

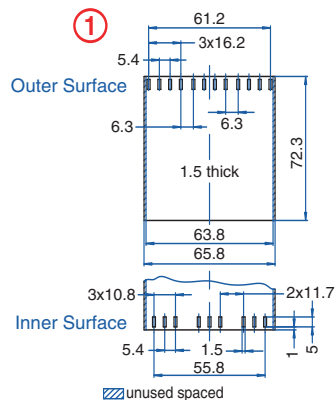
Accessories	Part Number	Type
1 Meter DIN Rail	2511120/1M	TS35x7.5/1M
*Panel Mount Tab (need 2)	93.001.2	PMA

AMPERAGE CHART

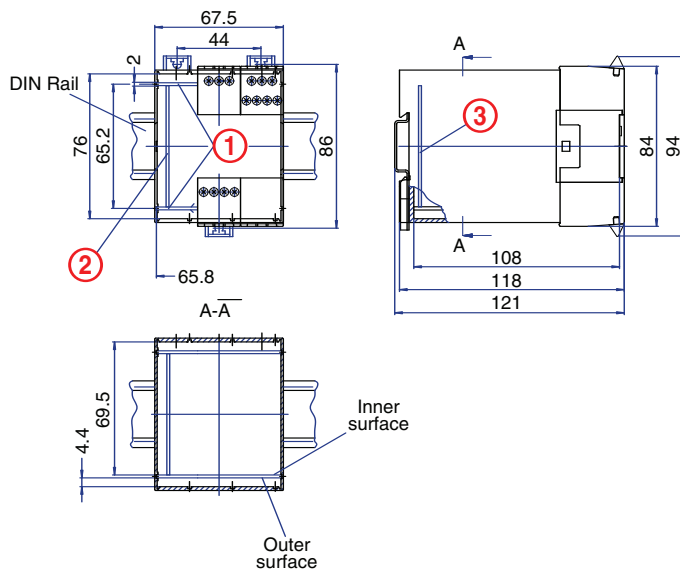
Max. Current Carrying Capacity of Terminal Blocks

	3 pole ○○○	4 pole ○○○○	7 pole ○○○ ○○○○
Max Amperage of Terminal Blocks	15A	28A	15A top row 28A bottom row
Max Amperage Per Terminal Point	5A	8A	5A top row 8A bottom row

PCB DRAWING (To convert to inches divide by 25.4.)



ENCLOSURE DRAWING (To convert to inches divide by 25.4.)



KO4700 Enclosure Series - Modular

56 Terminal Maximum
Pluggable Card Edge
Connection



TECHNICAL INFORMATION

Electrical:
 see chart for Amperages,
 300V, 22-12 AWG

Housing Material:
 Glass-filled Polycarbonate

Cover Material:
 Glass-filled Polycarbonate

Temperature Range:
 Up to 125°C (257°F)

Flammability Rating:
 UL94 V-O (V-2 Clear Panel)

Color:
 Black Housing with Tan Cover

Terminal Type:
 Box clamp

Terminal Screw Size:
 M3.5

Recommended Torque:
 0.8Nm

Max. PCB's:
 (4) Vertical
 (2) Horizontal
 (1ea.) Parallel with/
 behind cover

Mounting:
 35mm DIN Rail or
 optional panel mounting*

ORDERING INFORMATION

Part Number	Type	Description
90.840	KO4733H	Base Housing
90.840.1	KO4733F	Cover Frame
90.840.2	KO4733P	Cover Panel, Tan
90.840.3	KO4733P-C	Cover Panel, Clear
90.840.4	KO4733P/S	Cover Panel with terminal release slots, Tan
90.840.5	KO4733P-C/S	Cover Panel with terminal release slots, Clear
90.803	KO473xT/3	Terminal Block, 3 terminals
90.804	KO473xT/4	Terminal Block, 4 terminals
90.807	KO473xT/7	Terminal Block, 7 terminals
90.800	KO473xT/B	Blanking Block, 0 terminals

ACCESSORIES

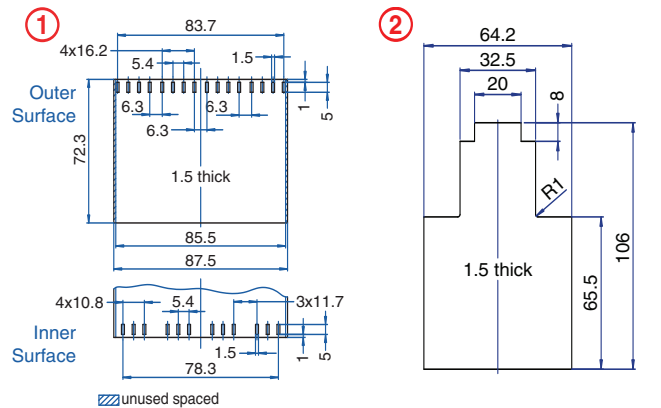
Accessories	Part Number	Type
1 Meter DIN Rail	2511120/1M	TS35x7.5/1M
*Panel Mount Tab (need 2)	93.001.2	PMA

AMPERAGE CHART

Max. Current Carrying Capacity of Terminal Blocks

	3 pole ○○○	4 pole ○○○○	7 pole ○○○ ○○○○
Max Amperage of Terminal Blocks	15A	28A	15A top row 28A bottom row
Max Amperage Per Terminal Point	5A	8A	5A top row 8A bottom row

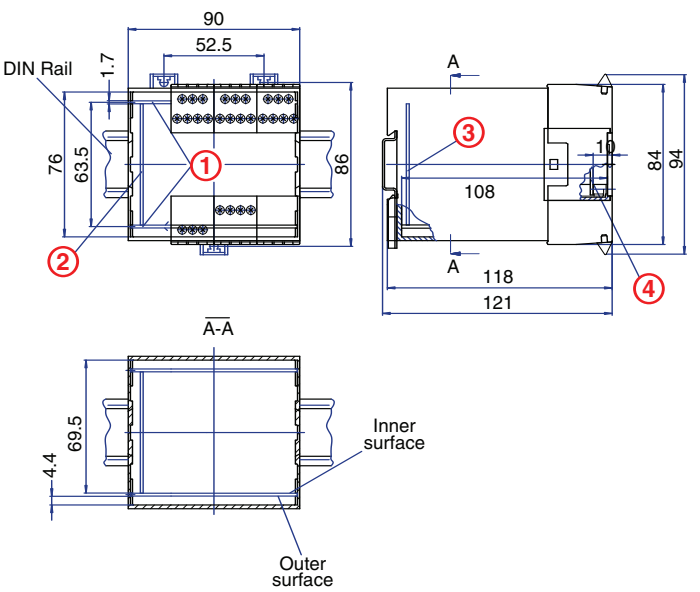
PCB DRAWING (To convert to inches divide by 25.4.)



COMPLETE ENCLOSURE CONSISTS OF

- (1) Base Housing
- (1) Cover Frame
- (1) Cover Panel
- (8) Terminal or blanking blocks

ENCLOSURE DRAWING (To convert to inches divide by 25.4.)



The **KO4300 Series Enclosures** feature high density double level terminals making them ideal for many electronic applications. They are small to medium in size ranging from 16 to 64 terminals. There are 4 widths available each having a short and tall version available.

MATERIALS

Housing Shell: Polycarbonate, 10% Glass Filled
Terminal Housing: Polyamide, 40% Glass Filled
Terminal: Tin-plated Steel

TEMPERATURE RATINGS:

Housing: 115°C (239°F) UL94V0
Terminal Housing: 290°C (554°F) UL94V0
Standard Color: Light Gray

PROTECTION

KO4300 series enclosures have an IP20 rating (finger protected) and meet VBG4 and other European accident prevention requirements.

CONSTRUCTION

The KO4300 enclosure series housings are supplied as unassembled kits. Each kit consists of a housing base, terminal cover side parts, terminal blocks and a front plate. The double level terminal design keeps the enclosure width to a minimum freeing valuable DIN rail space. The terminals are machine solderable with right angle pins. Integral printed circuit board guides are molded into the housing base to help with proper board insertion and containment. Boards are mounted vertically in the enclosure, perpendicular to the DIN rail.

TERMINALS

Rising clamp screw terminals are used with the KO4300 series enclosures. Wires to be terminated are squeezed between the bottom of the rising clamp and the terminal strip for reliable, gas-tight connections. The terminals can be machine soldered to the board in the same step as the other components to save time and labor. All terminals have funnel shaped wire openings to eliminate wire fraying. The terminal screws can be turned with a flat tip or a #2 Philips screwdriver.

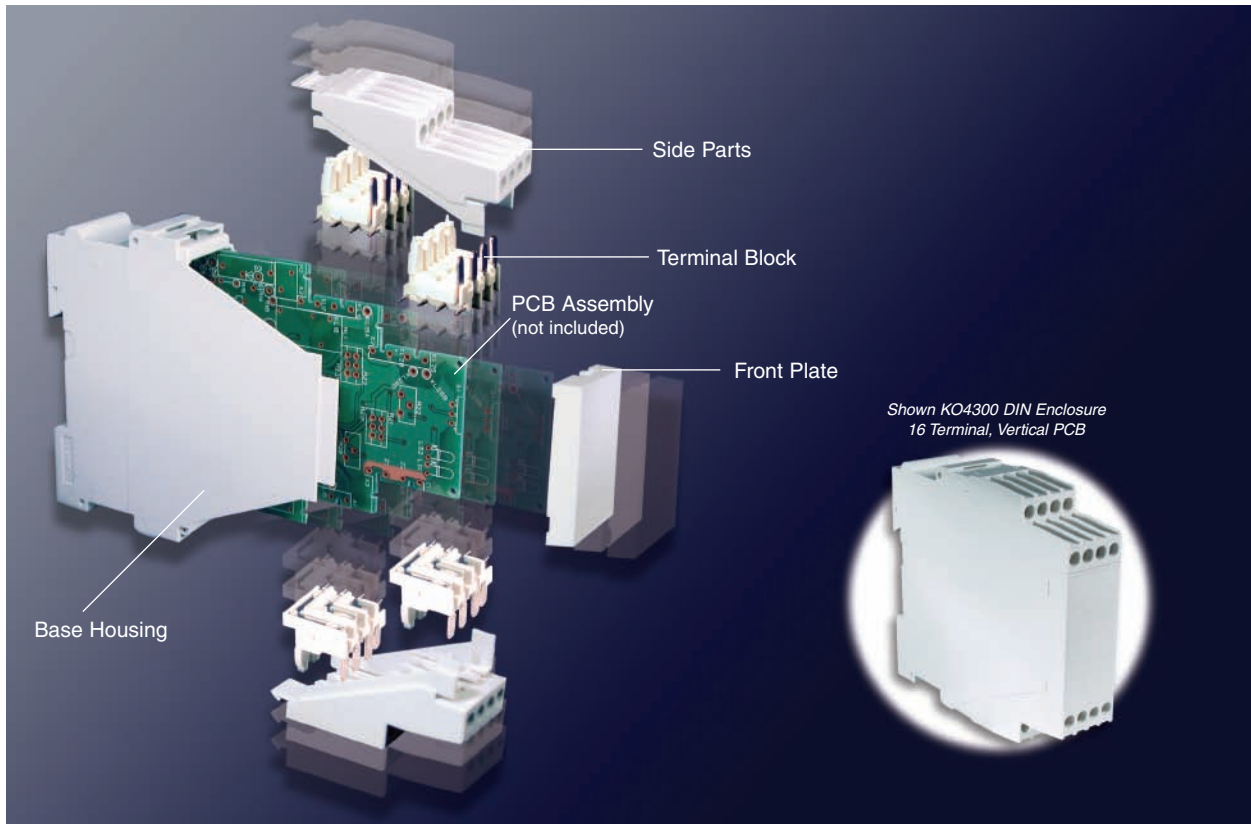
MOUNTING

The KO4300 series can easily be mounted on standard 35mm DIN rail by means of the integral mounting foot and DIN clip.

CUSTOMIZATION

Many custom options are available for the KO4300 series enclosures. Some of the available options are:

- Partial terminal loading
- Internal/External bus connections
- PCB grounding to the DIN rail
- Side ventilation slots
- Machining of custom holes
- RJ45 and DB9 openings in front plate



HOUSING ASSEMBLY

- Place all assemblies on a level surface
- Terminal blocks should be pre-assembled on the PCB
- Push the side parts over the terminal blocks ensuring that the guide pins of the terminal blocks slide into the holes of the side parts
- Snap the front plate onto the pre-mounted side parts
- Slide the PCB of the upper section into the guide grooves of the base
- Slide the upper section into the base. Make sure that the wall areas overlap correctly and the guide element of the base slides in the mating recess of the base.
- Push the assembly completely together so that the clips on the side parts snap into the recesses in the base

KO4300 Enclosure Series

16 Terminal Vertical PCB



TECHNICAL INFORMATION

Electrical: 16A, 300V, 22-12 AWG	Terminal Type: Screw / Rising Clamp
Housing Material: Glass-filled Polycarbonate	Terminal Screw Size: M3.5
Terminal Block Material: Glass-filled Polyamide	Recommended Torque: 0.8Nm
Temperature Range: Up to 115°C (239°F), Housing 290°C (554°F), Terminals	Max. PCB's: (2) Vertical
Flammability Rating: UL94 V-O	Mounting: 35mm DIN Rail
Color: Light Gray	

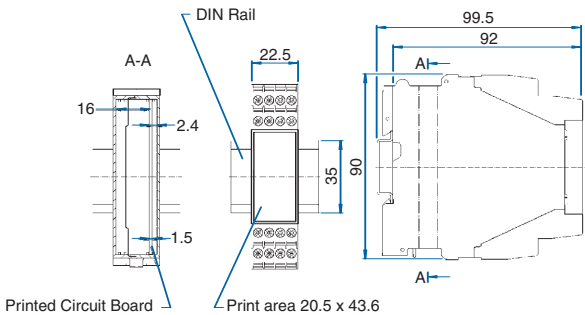
ORDERING INFORMATION

Part Number	Type	Description	PCB Connection
90.900	KO4323	Right Angle Pins	Machine Solder

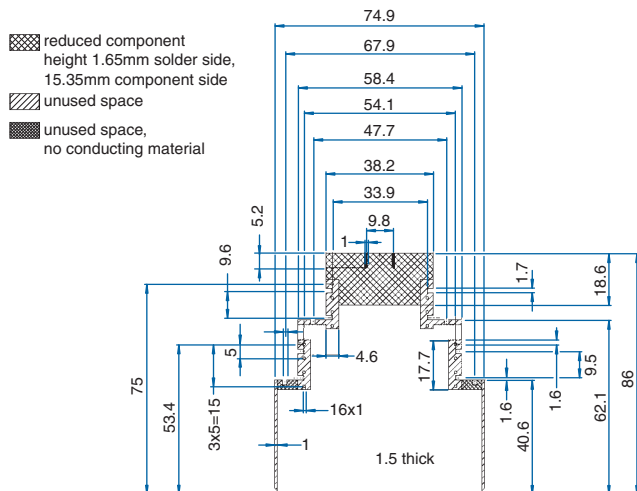
ACCESSORIES

Accessories	Part Number	Type
1 Meter DIN Rail	2511120/1M	TS35x7.5/1M

ENCLOSURE DRAWING (To convert to inches divide by 25.4.)



PCB DRAWING (To convert to inches divide by 25.4.)



16 Terminal Tall Vertical PCB



TECHNICAL INFORMATION

Electrical: 16A, 300V, 22-12 AWG	Terminal Type: Screw / Rising Clamp
Housing Material: Glass-filled Polycarbonate	Terminal Screw Size: M3.5
Terminal Block Material: Glass-filled Polyamide	Recommended Torque: 0.8Nm
Temperature Range: Up to 115°C (239°F), Housing 290°C (554°F), Terminals	Max. PCB's: (2) Vertical
Flammability Rating: UL94 V-O	Mounting: 35mm DIN Rail
Color: Light Gray	

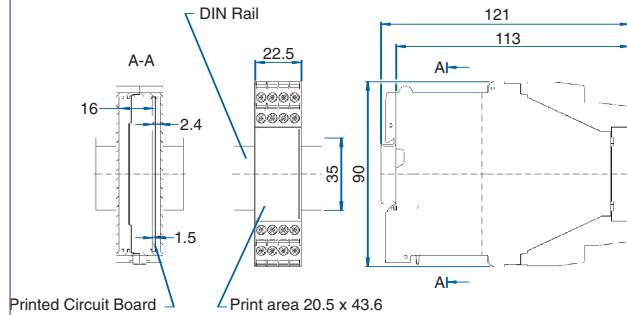
ORDERING INFORMATION

Part Number	Type	Description	PCB Connection
90.910	KO4303	Right Angle Pins	Machine Solder

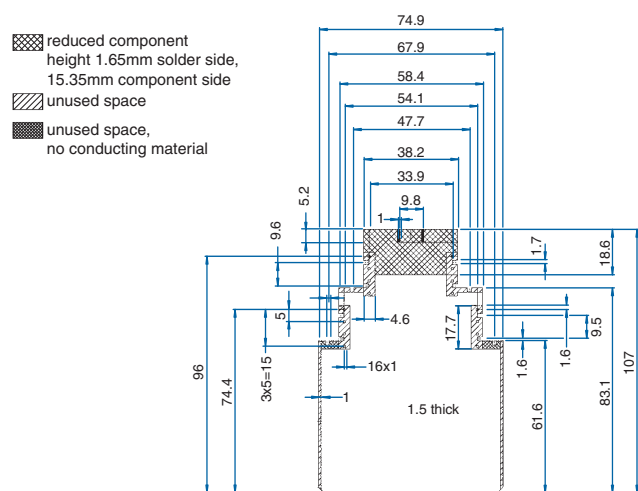
ACCESSORIES

Accessories	Part Number	Type
1 Meter DIN Rail	2511120/1M	TS35x7.5/1M

ENCLOSURE DRAWING (To convert to inches divide by 25.4.)



PCB DRAWING (To convert to inches divide by 25.4.)



32 Terminal

Vertical PCB



TECHNICAL INFORMATION

Electrical:

16A, 300V, 22-12 AWG

Housing Material:

Glass-filled Polycarbonate

Terminal Block Material:

Glass-filled Polyamide

Temperature Range:

Up to 115°C (239°F), Housing
290°C (554°F), Terminals

Flammability Rating:

UL94 V-O

Color: Light Gray

Terminal Type:

Screw / Rising Clamp

Terminal Screw Size:

M3.5

Recommended Torque:

0.8Nm

Max. PCB's:

(4) Vertical

Mounting:

35mm DIN Rail

ORDERING INFORMATION

Part Number	Type	Description	PCB Connection
90.920	KO4324	Right Angle Pins	Machine Solder

ACCESSORIES

Accessories	Part Number	Type
1 Meter DIN Rail	2511120/1M	TS35x7.5/1M

ENCLOSURE DRAWING (To convert to inches divide by 25.4.)



PCB DRAWING (To convert to inches divide by 25.4.)



32 Terminal

Tall Vertical PCB



TECHNICAL INFORMATION

Electrical:

16A, 300V, 22-12 AWG

Housing Material:

Glass-filled Polycarbonate

Terminal Block Material:

Glass-filled Polyamide

Temperature Range:

Up to 115°C (239°F), Housing
290°C (554°F), Terminals

Flammability Rating:

UL94 V-O

Color: Light Gray

Terminal Type:

Screw / Rising Clamp

Terminal Screw Size:

M3.5

Recommended Torque:

0.8Nm

Max. PCB's:

(4) Vertical

Mounting:

35mm DIN Rail

ORDERING INFORMATION

Part Number	Type	Description	PCB Connection
90.930	KO4304	Right Angle Pins	Machine Solder

ACCESSORIES

Accessories	Part Number	Type
1 Meter DIN Rail	2511120/1M	TS35x7.5/1M

ENCLOSURE DRAWING (To convert to inches divide by 25.4.)



PCB DRAWING (To convert to inches divide by 25.4.)



KO4300 Enclosure Series

48 Terminal Vertical PCB



TECHNICAL INFORMATION

Electrical: 16A, 300V, 22-12 AWG
Housing Material: Glass-filled Polycarbonate
Terminal Block Material: Glass-filled Polyamide
Temperature Range: Up to 115°C (239°F), Housing
 290°C (554°F), Terminals
Flammability Rating: UL94 V-O
Color: Light Gray

Terminal Type: Screw / Rising Clamp
Terminal Screw Size: M3.5
Recommended Torque: 0.8Nm
Max. PCB's: (6) Vertical
Mounting: 35mm DIN Rail

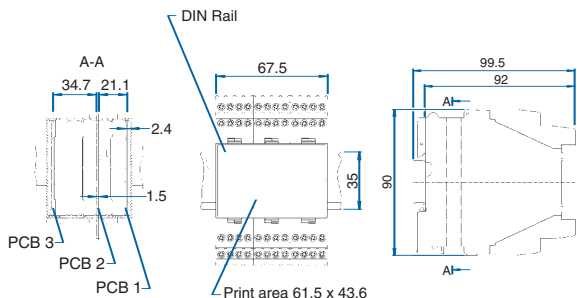
ORDERING INFORMATION

Part Number	Type	Description	PCB Connection
90.940	KO4325	Right Angle Pins	Machine Solder

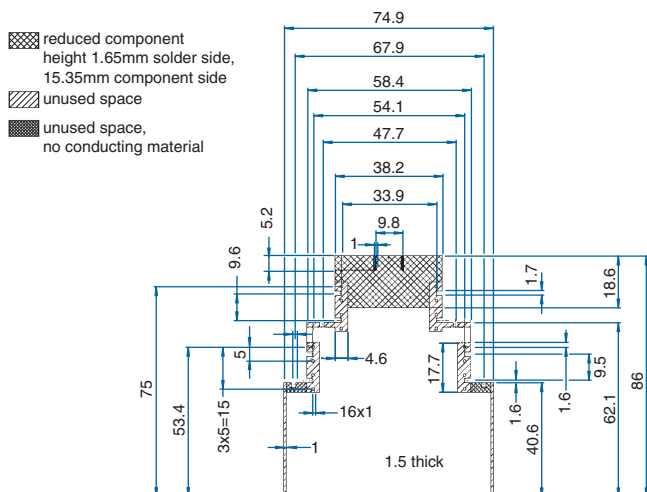
ACCESSORIES

Accessories	Part Number	Type
1 Meter DIN Rail	2511120/1M	TS35x7.5/1M

ENCLOSURE DRAWING (To convert to inches divide by 25.4.)



PCB DRAWING (To convert to inches divide by 25.4.)



48 Terminal Tall Vertical PCB



TECHNICAL INFORMATION

Electrical: 16A, 300V, 22-12 AWG
Housing Material: Glass-filled Polycarbonate
Terminal Block Material: Glass-filled Polyamide
Temperature Range: Up to 115°C (239°F), Housing
 290°C (554°F), Terminals
Flammability Rating: UL94 V-O
Color: Light Gray

Terminal Type: Screw / Rising Clamp
Terminal Screw Size: M3.5
Recommended Torque: 0.8Nm
Max. PCB's: (6) Vertical
Mounting: 35mm DIN Rail

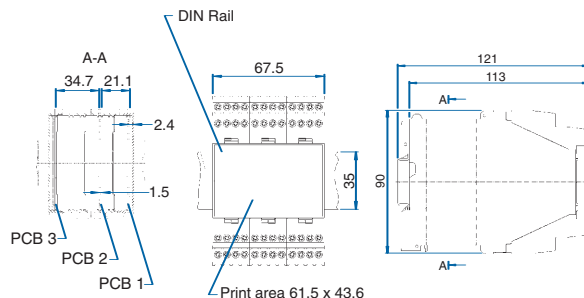
ORDERING INFORMATION

Part Number	Type	Description	PCB Connection
90.950	KO4305	Right Angle Pins	Machine Solder

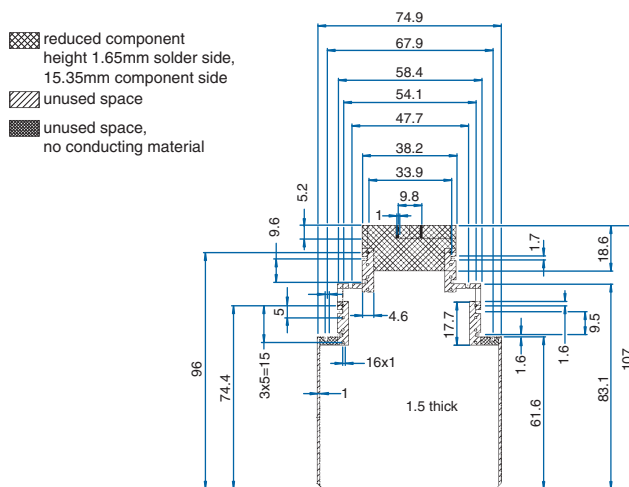
ACCESSORIES

Accessories	Part Number	Type
1 Meter DIN Rail	2511120/1M	TS35x7.5/1M

ENCLOSURE DRAWING (To convert to inches divide by 25.4.)



PCB DRAWING (To convert to inches divide by 25.4.)



64 Terminal Vertical PCB



TECHNICAL INFORMATION

Electrical: 16A, 300V, 22-12 AWG
Housing Material: Glass-filled Polycarbonate
Terminal Block Material: Glass-filled Polyamide
Temperature Range: Up to 115°C (239°F), Housing
290°C (554°F), Terminals
Flammability Rating: UL94 V-O
Color: Light Gray

Terminal Type: Screw / Rising Clamp
Terminal Screw Size: M3.5
Recommended Torque: 0.8Nm
Max. PCB's: (8) Vertical
Mounting: 35mm DIN Rail

ORDERING INFORMATION

Part Number	Type	Description	PCB Connection
90.960	KO4326	Right Angle Pins	Machine Solder

ACCESSORIES

Accessories	Part Number	Type
1 Meter DIN Rail	2511120/1M	TS35x7.5/1M

ENCLOSURE DRAWING (To convert to inches divide by 25.4.)



PCB DRAWING (To convert to inches divide by 25.4.)



64 Terminal Tall Vertical PCB



TECHNICAL INFORMATION

Electrical: 16A, 300V, 22-12 AWG
Housing Material: Glass-filled Polycarbonate
Terminal Block Material: Glass-filled Polyamide
Temperature Range: Up to 115°C (239°F), Housing
290°C (554°F), Terminals
Flammability Rating: UL94 V-O
Color: Light Gray

Terminal Type: Screw / Rising Clamp
Terminal Screw Size: M3.5
Recommended Torque: 0.8Nm
Max. PCB's: (8) Vertical
Mounting: 35mm DIN Rail

ORDERING INFORMATION

Part Number	Type	Description	PCB Connection
90.970	KO4306	Right Angle Pins	Machine Solder

ACCESSORIES

Accessories	Part Number	Type
1 Meter DIN Rail	2511120/1M	TS35x7.5/1M

ENCLOSURE DRAWING (To convert to inches divide by 25.4.)



PCB DRAWING (To convert to inches divide by 25.4.)



Компания «Океан Электроники» предлагает заключение долгосрочных отношений при поставках импортных электронных компонентов на взаимовыгодных условиях!

Наши преимущества:

- Поставка оригинальных импортных электронных компонентов напрямую с производств Америки, Европы и Азии, а так же с крупнейших складов мира;
- Широкая линейка поставок активных и пассивных импортных электронных компонентов (более 30 млн. наименований);
- Поставка сложных, дефицитных, либо снятых с производства позиций;
- Оперативные сроки поставки под заказ (от 5 рабочих дней);
- Экспресс доставка в любую точку России;
- Помощь Конструкторского Отдела и консультации квалифицированных инженеров;
- Техническая поддержка проекта, помощь в подборе аналогов, поставка прототипов;
- Поставка электронных компонентов под контролем ВП;
- Система менеджмента качества сертифицирована по Международному стандарту ISO 9001;
- При необходимости вся продукция военного и аэрокосмического назначения проходит испытания и сертификацию в лаборатории (по согласованию с заказчиком);
- Поставка специализированных компонентов военного и аэрокосмического уровня качества (Xilinx, Altera, Analog Devices, Intersil, Interpoint, Microsemi, Actel, Aeroflex, Peregrine, VPT, Syfer, Eurofarad, Texas Instruments, MS Kennedy, Miteq, Cobham, E2V, MA-COM, Hittite, Mini-Circuits, General Dynamics и др.);

Компания «Океан Электроники» является официальным дистрибьютором и эксклюзивным представителем в России одного из крупнейших производителей разъемов военного и аэрокосмического назначения «JONHON», а так же официальным дистрибьютором и эксклюзивным представителем в России производителя высокотехнологичных и надежных решений для передачи СВЧ сигналов «FORSTAR».



JONHON

«JONHON» (основан в 1970 г.)

Разъемы специального, военного и аэрокосмического назначения:

(Применяются в военной, авиационной, аэрокосмической, морской, железнодорожной, горно- и нефтедобывающей отраслях промышленности)

«FORSTAR» (основан в 1998 г.)

ВЧ соединители, коаксиальные кабели, кабельные сборки и микроволновые компоненты:

(Применяются в телекоммуникациях гражданского и специального назначения, в средствах связи, РЛС, а так же военной, авиационной и аэрокосмической отраслях промышленности).



Телефон: 8 (812) 309-75-97 (многоканальный)

Факс: 8 (812) 320-03-32

Электронная почта: ocean@oceanchips.ru

Web: <http://oceanchips.ru/>

Адрес: 198099, г. Санкт-Петербург, ул. Калинина, д. 2, корп. 4, лит. А