



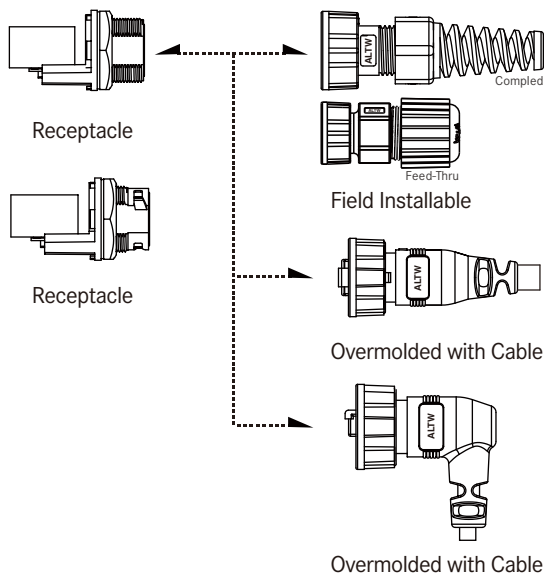
## CATALOGUE

# RJ Connector

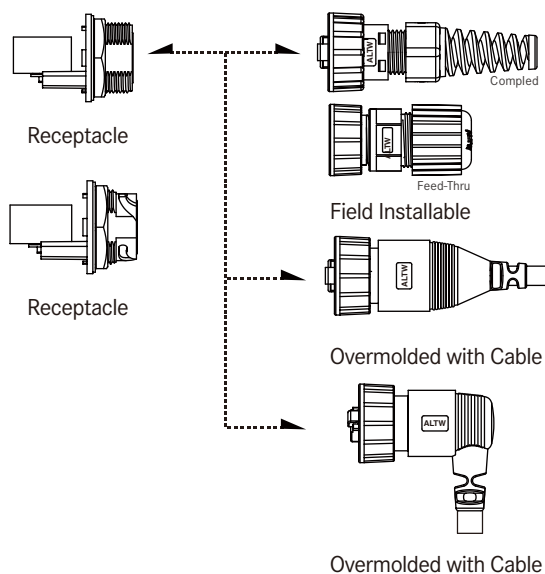


## Range Overview

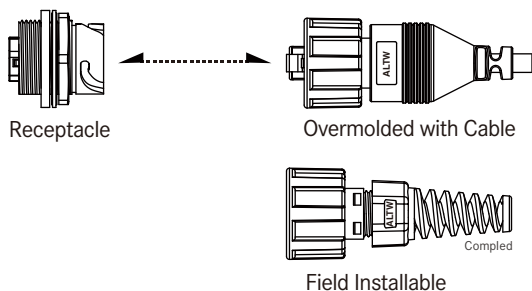
### Receptacle and Mating Pair (Middle Size 13/16"-28UNS)



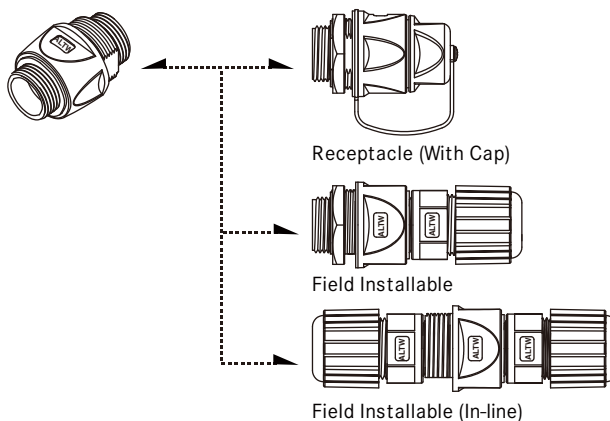
### Receptacle and Mating Pair (Large Size 1"20-UNEF)



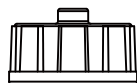
### Receptacle and Mating Pair (ODVA)



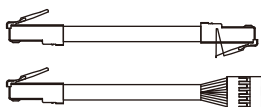
### I Adaptor



### Accessories



Waterproof Cap  
See page 21-17



Patch Cable (Double-ended)  
See page 21-24

\* Design and specification are subject to change without notice.

## Specification

<b>Identifications</b>	Middle Size: 13/16"-28 UNS (Cat. 5e) Large Size: 1"-20 UNS (Cat. 5e) ODVA (Cat. 5e)
<b>Description</b>	Receptacle Receptacle With Cable Overmolded with Cable Field Installable
<b>Current Rating / Data</b>	100 Base, 100 Base T and 1000 Base T Networks Cat 5E per TIA or EIA 568B Class D per ISO / IEC 11801
<b>Material</b>	Connector Body: -Housing: Polyester, UL94V-0, UV Resistant -Fastening Nut (Panel Side): Polyester UL94V-0,UV Resistant -Mating Lock Nut: Polyester , UL94V-0,UV Resistant RJ45 Jack and Plug Contacts: Phosphor Bronze, Gold Plated Cable Termination: Flame Protection per UL94V-0,UV Resistant
<b>Waterproof Rating</b>	IP67
<b>Temperature Range</b>	Receptacle: -40 °C~105 °C Overmolded with Cable: -20 °C~80 °C
<b>Contact Resistance</b>	≤ 20mΩ
<b>Insulation Resistance</b>	≥ 500mΩ at DC500V
<b>Durability</b>	750 cycles
<b>Breakdown Voltage</b>	≥ AC1000V / 1 minute
<b>More to know</b>	Thermal shock: -20°C~80°C 5cycls Salt Spray Corrosion: 48H POE: 60W /2A Standard Cable Length: 01-99M

# Ordering Information

	1	2	3	4	5	6	7	8	9	10
<b>Specification</b>										
(RCP) RJ45 C Size (Plastic)										
(RCM) RJ45 C Size (Metal)										
(RDP) RJ45 D Size (Plastic)										
(RDM) RJ45 D Size (Metal)										
(ROP) RJ45 ODVA (Plastic)										
<b>Cat Type &amp; Shielded</b>										
(00) None										
(5S) Cat.5e shielded										
(5U) Cat.5e Unshielded										
<b>Connector Body (Style)</b>										
> For Receptacle										
(P) Front Fastened										
(R) Rear Fastened										
(D) Dual Fastened										
> For Overmolded with Cable										
(A) With Strain Relief										
(B) Without Strain Relief										
> For Field Installable										
(A) With Strain Relief										
(B) Without Strain Relief										
<b>Connector (Housing) Gender</b>										
(MM) Plug										
(FF) Jack										
<b>Assemble Style</b>										
> For Receptacle										
(H) Jack 180 (Horizontal)										
(V) Jack 90 (Vertical)										
> For Overmolded with Cable										
(M) Overmolded with Cable										
> For Field Installable										
(A) Field installable (Compled)										
(S) Field installable (Feed-Thru)										
<b>Mating Style</b>										
(T) 3 Points Lock Bayonet										
(S) Screw Thread										
<b>Backshell</b>										
> For Receptacle										
(C) Circular										
(S) Square										
> For Overmolded with Cable										
(L) Straight										
(R) Right Angle										
> For Field Installable										
(L) Straight										
<b>Waterproof Types</b>										
(U) Unmated Waterproof										
(M) Mated Waterproof										
<b>Waterproof Rating</b>										
(7) IP 67										
*IP 68 upon request.										
<b>More information</b>										
> For Receptacle										
(001), (002).....										
> For Overmolded with Cable										
(□)+(■) : Cable Type + Cable Length										
(□) : Cable Type										
(A) C5e UTP Solid Cable										
(B) C5e FTP Solid Cable										
(■) : Cable Length										
From 1M to 99M										
EX. (01) = 1M										

\* Design and specification are subject to change without notice.

# Ordering Information | Double-ended

**ALTW waterproof connector to ALTW waterproof connector**

**ALTW waterproof connector to Standard RJ connector (None Waterproof)**

f to Waterproof / Non-Waterproof



**Specification (1st End)**

- (RCP) RJ45 C Size (Plastic)
- (RCM) RJ45 C Size (Metal)
- (RDP) RJ45 D Size (Plastic)
- (RDM) RJ45 D Size (Metal)
- (ROP) RJ45 ODVA (Plastic)

**Cat Type & Shielded (1st End)**

- (5U) Cat.5e Unshielded
- (5S) Cat.5e Shielded

**Connector (Housing) Gender (1st End)**

- (M) Plug
- (F) Jack

**Specification (2nd End)**

- |   |  |
|---|--|
| <p>&gt; For Waterproof Connectors</p> <ul style="list-style-type: none"> <li>(RCP) RJ45 C Size (Plastic)</li> <li>(RCM) RJ45 C Size (Metal)</li> <li>(RDP) RJ45 D Size (Plastic)</li> <li>(RDM) RJ45 D Size (Metal)</li> <li>(ROP) RJ45 ODVA (Plastic)</li> </ul> | <p>&gt; For Non-Waterproof Plug</p> <ul style="list-style-type: none"> <li>(UPG) Unshielded Plug</li> <li>(SPG) Shielded Plug</li> </ul> |
|---|--|

**Cat Type & Shielded (2nd End)**

- |  |   |
|--|---|
| <p>&gt; For Waterproof Connectors</p> <ul style="list-style-type: none"> <li>(5U) Cat.5e Unshielded</li> <li>(5S) Cat.5e Unshielded</li> </ul> | <p>&gt; For Non-Waterproof Plug</p> <ul style="list-style-type: none"> <li>(06) Gold Plating 6u"</li> </ul> |
|--|---|

**Connector (Housing) Gender (2nd End)**

- (M) Plug

**Mating Style**

- (T) 3 Points Lock Bayonet
- (S) Screw Thread

**Backshell**

- > For Overmolded with Cable
- (L) Straight
  - (R) Right Angle

**More information**

> For Overmolded with Cable

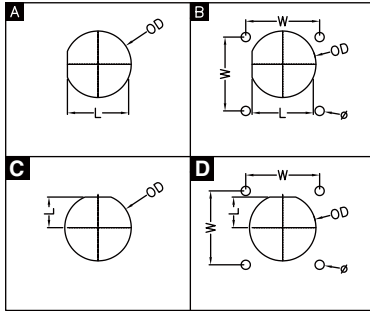
(□)+(■) : Cable Type + Cable Length

- |                         |                    |
|-------------------------|--------------------|
| (□) : Cable Type        | (■) : Cable Length |
| (A) C5e UTP Solid Cable | From 1M to 99M     |
| (B) C5e FTP Solid Cable | EX. (01) = 1M      |

# Physical Dimension

## Receptacle

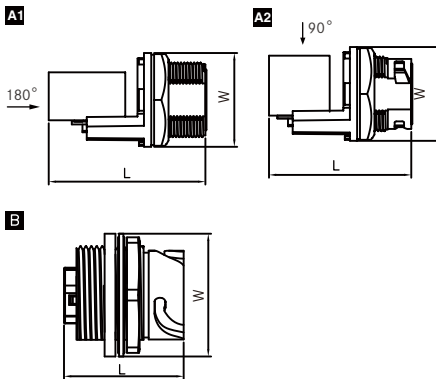
Panel Cut-Out



Type \ Dimension	Type	L / W	OD	∅
Connector Gender (Housing)	Female			
Middle Size (13/16"-28 UNS)	A	19.4	20.8	-
	B	19.4/24.4	20.8	3.1
Large Size (1"20 UNEF)	A	23.6	25.6	-
	B	23.6/24.4	25.6	3.1
ODVA	C	12.4	27.1	-
	D	12.4/25.9	27.1	M3.0*0.5

Dimensions are shown in millimeters

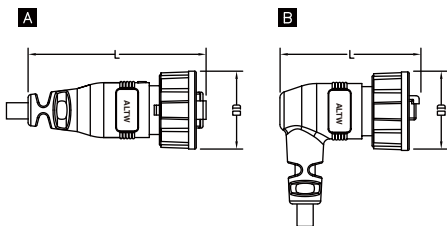
Connector Dimension



Type \ Dimension	Type	Shape	L	W
Connector Gender (Housing)	Female			
Middle Size (13/16"-28 UNS)	A1	Circle	44.0	26.0
		Square	44.0	32.0
	A2	Circle	39.9	26.0
		Square	39.9	32.0
Large Size (1"20 UNEF)	A1	Circle	44.0	32.0
		Square	44.0	
	A2	Circle	39.9	32.0
		Square	39.9	
ODVA	B	Circle	33.2	34.0
		Square	33.2	36.0

\* Choose backshell: Circular (C) or Square Flange (S) | Dimensions are shown in millimeters

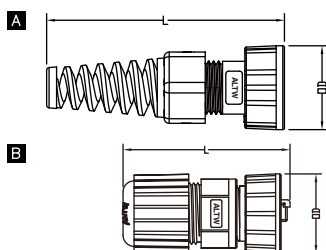
## Overmolded with Cable



Type \ Dimension	Type	L		OD	
Connector Gender (Housing)		Female	Male	Female	Male
Middle Size (13/16"-28 UNS)	A	-	58.0	-	25.4
	B	-	45.0	-	25.4
Large Size (1"20 UNEF)	A	-	73.6	-	28.8
	B	-	53.4	-	28.8
ODVA	A	-	79.3	-	31.5

Dimensions are shown in millimeters

## Field Installable



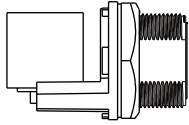
Type \ Dimension	Type	L		OD	
Connector Gender (Housing)		Female	Male	Female	Male
Middle Size (13/16"-28 UNS)	A	-	72.0	-	25.4
	B	-	40.7	-	25.4
Large Size (1"20 UNEF)	A	-	76.7	-	25.4
	B	-	59.7	-	32.0
ODVA	A	-	77.6	-	31.5

Dimensions are shown in millimeters

\* Design and specification are subject to change without notice.

# Product Features

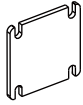
## Receptacle



### Backshell <sup>7</sup>

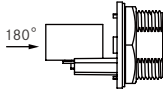


Circular (C)

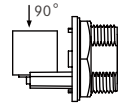


Square (S)

### Assembly Style <sup>5</sup>



Jack 180 (Horizontal) (H)



Jack 90 (Vertical) (V)

### Mating Style <sup>6</sup>

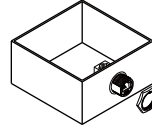


Screw Thread (S)

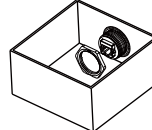


3 Points Lock (T)

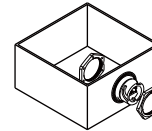
### Connector Body (Style) <sup>3</sup>



Front Fastened (P)

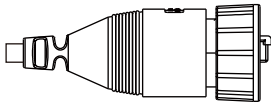


Rear Fastened (R)  
(For ODVA only)

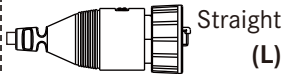


Double Fastened (D)  
(For ODVA only)

## Overmolded with Cable



### Backshell <sup>7</sup>



Straight (L)



Right Angle (R)

### Mating Style <sup>6</sup>

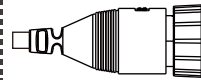


Screw Thread (S)



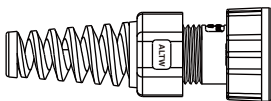
3 Points Lock (T)

### Connector Body (Style) <sup>3</sup>

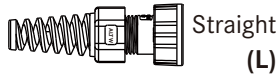


With Strain Relief (A)

## Field Installable



### Backshell <sup>7</sup>



Straight (L)

### Mating Style <sup>6</sup>

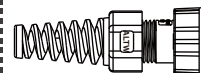


Screw Thread (S)



3 Points Lock (T)

### Connector Body (Style) <sup>3</sup>



With Strain Relief (A)

\* Refer to P8-4 for Ordering Information



# Find Our Standard Products

## ▾ Middle Size 13/16"-28 UNS > Receptacle and Mating Pair

		Receptacle	Overmolded with Cable	Field Installable	
<ul style="list-style-type: none"> <li>• Female Connector (Housing)</li> <li>• Female Contacts</li> <li>• Screw Thread</li> </ul>					
		<p>⑧ Choose unmated (U) or mated (M) waterproof</p>	<p>② Choose shielded (5S) or unshielded (5U) *** Choose the cable length:01-99m</p>	<p>*** Choose the cable length:01-99m</p>	
Cat. 5e		Female Connector (F) Female Contacts (F)	Male Connector (M) Male Contacts (M)	Male Connector (M) Male Contacts (M)	
Plastic	Jack 180	RCP-5SPFFH-SC ⑧ 7001 RCP-5SPFFH-SS ⑧ 7001	RCP-5 ② AMMM-SLM7*** RCP-5 ② AMMM-SRM7***	RCP5UM-RCP5UM-SL*** RCP5UM-RCP5UM-SR***	RCP-00AMMA-SLM7001 RCP-00BMMS-SLM7001
	Jack 90	RCP-5SPFFV-SC ⑧ 7001 RCP-5SPFFV-SS ⑧ 7001		RCP5UM-UPG06M-SL*** RCP5UM-UPG06M-SR***	
Metal	Jack 180	RCM-5SPFFH-SC ⑧ 7001 RCM-5SPFFH-SS ⑧ 7001	RCM-5 ② AMMM-SLM7*** RCM-5 ② AMMM-SRM7***	-	-
	Jack 90	RCM-5SPFFV-SC ⑧ 7001 RCM-5SPFFV-SS ⑧ 7001			

\*Refer to P8-5 for ordering.

\* Design and specification are subject to change without notice.

**Middle Size 13-16"-28UNS**

Receptacle and Mating Pair  
3 Points Lock Bayonet

Receptacle | Unmated & Mated  
Overmolded with Cable | Mated  
Field Installable | Mated

▾ **Middle Size 13/16"-28 UNS > Receptacle and Mating Pair**

<ul style="list-style-type: none"> <li>• Female Connector (Housing)</li> <li>• Female Contacts</li> <li>• 3 Points Lock Bayonet</li> </ul>		<p><b>Receptacle</b> →</p>	<p><b>Overmolded with Cable</b> →</p>	<p><b>Field Installable</b></p>	
<p><b>8</b> Choose unmated (U) or mated (M) waterproof</p>		<p><b>2</b> Choose shielded (5S) or unshielded (5U) *** Choose the cable length:01-99m</p>	<p>*** Choose the cable length:01-99m</p>		
Cat. 5e	Female Connector (F) Female Contacts (F)	Male Connector (M) Male Contacts (M)	Male Connector (M) Male Contacts (M)	Male Connector (M) Male Contacts (M)	
Plastic	Jack 180	RCP-5SPFFH-TC <b>8</b> 7001 RCP-5SPFFH-TS <b>8</b> 7001	RCP-5 <b>2</b> AMMM-TLM7***	RCP5UM-RCP5UM-TL*** RCP5UM-RCP5UM-TR***	RCP-00AMMA-TLM7001 RCP-00BMMS-TLM7001
	Jack 90	RCP-5SPFFV-TC <b>8</b> 7001 RCP-5SPFFV-TS <b>8</b> 7001	RCP-5 <b>2</b> AMMM-TRM7***	RCP5UM-UPG06M-TL*** RCP5UM-UPG06M-TR***	

\*Refer to P8-5 for ordering information.

Large Size 1"-20 UNEF > Receptacle and Mating Pair

- Female Connector (Housing)
- Female Contacts
- Screw Thread

Receptacle

Overmolded with Cable

Field Installable

8 Choose unmated (U) or mated (M) waterproof

2 Choose shielded (5S) or unshielded (5U)

\*\*\* Choose the cable length: 01-99m

Cat. 5e		Female Connector (F) Female Contacts (F)	Male Connector (M) Male Contacts (M)	Male Connector (M) Male Contacts (M)	Male Connector (M) Male Contacts (M)
Plastic	Jack 180	RDP-5SPFFH-SC <span style="border: 1px solid black; border-radius: 50%; padding: 2px;">8</span> 7001 RDP-5SPFFH-SS <span style="border: 1px solid black; border-radius: 50%; padding: 2px;">8</span> 7001	RDP-5 <span style="border: 1px solid black; border-radius: 50%; padding: 2px;">2</span> AMMM-SLM7*** RDP-5 <span style="border: 1px solid black; border-radius: 50%; padding: 2px;">2</span> AMMM-SRM7***	RDP5UM-RDP5UM-SL*** RDP5UM-RDP5UM-SR***	RDP-00AMMA-SLM7001 RDP-00BMMS-SLM7001
	Jack 90	RDP-5SPFFV-SC <span style="border: 1px solid black; border-radius: 50%; padding: 2px;">8</span> 7001 RDP-5SPFFV-SS <span style="border: 1px solid black; border-radius: 50%; padding: 2px;">8</span> 7001		RDP5UM-UPG06M-SL*** RDP5UM-UPG06M-SR***	
Metal	Jack 180	RDM-5SPFFH-SC <span style="border: 1px solid black; border-radius: 50%; padding: 2px;">8</span> 7001 RDM-5SPFFH-SS <span style="border: 1px solid black; border-radius: 50%; padding: 2px;">8</span> 7001	RDM-5 <span style="border: 1px solid black; border-radius: 50%; padding: 2px;">2</span> AMMM-SLM7*** RDM-5 <span style="border: 1px solid black; border-radius: 50%; padding: 2px;">2</span> AMMM-SRM7***	-	-
	Jack 90	RDM-5SPFFV-SC <span style="border: 1px solid black; border-radius: 50%; padding: 2px;">8</span> 7001 RDM-5SPFFV-SS <span style="border: 1px solid black; border-radius: 50%; padding: 2px;">8</span> 7001			

\*Refer to P8-5 for ordering information.

\* Design and specification are subject to change without notice.

## Large Size 1"-20 UNEF

Receptacle and Mating Pair  
3 Points Lock Bayonet

# IP 67 <sup>9</sup>

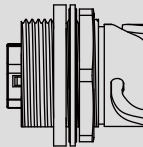
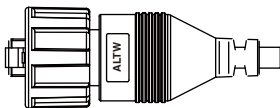
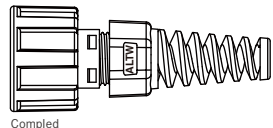
Receptacle | Unmated & Mated  
Overmolded with Cable | Mated  
Field Installable | Mated

### Large Size 1"-20 UNEF > Receptacle and Mating Pair

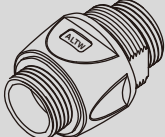

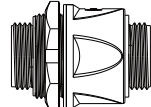
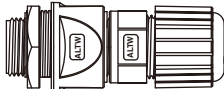

<ul style="list-style-type: none"> <li>Female Connector (Housing)</li> <li>Female Contacts</li> <li>3 Points Lock Bayonet</li> </ul>		<p><b>Receptacle</b></p>	<p><b>Overmolded with Cable</b></p>		<p><b>Field Installable</b></p>
<p><b>8</b> Choose unmated (U) or mated (M) waterproof</p>		<p><b>2</b> Choose shielded (5S) or unshielded (5U) *** Choose the cable length:01-99m</p>		<p><b>5</b> Choose Compled (A) or Feed-Thru (S)</p>	
Cat. 5e	Female Connector (F) Female Contacts (F)	Male Connector (M) Male Contacts (M)	Male Connector (M) Male Contacts (M)	Male Connector (M) Male Contacts (M)	
Plastic	Jack 180	RDP-5SPFFH-TC <b>8</b> 7001 RDP-5SPFFH-TS <b>8</b> 7001	RDP-5 <b>2</b> AMMM-TLM7*** RDP-5 <b>2</b> AMMM-TRM7***	RDP5UM-RDP5UM-TL*** RDP5UM-RDP5UM-TR***	RDP-00AMM <b>5</b> -TLM7001 RDP-00BMMS-TLM7001
	Jack 90	RDP-5SPFFV-TC <b>8</b> 7001 RDP-5SPFFV-TS <b>8</b> 7001		RDP5UM-UPG06M-TL*** RDP5UM-UPG06M-TR***	

\*Refer to P8-5 for ordering information.

### ODVA > Receptacle and Mating Pair

<ul style="list-style-type: none"> <li>• Female Connector</li> <li>• Female Contacts</li> <li>• 3 Points Lock Bayonet</li> <li>• ODVA</li> </ul>	<p>Receptacle</p>  <p>3 Choose the Back shell position: Front (P) or Rear (R) or Double (D) Mounting</p> <p>8 Choose unmated (U) or mated (M) waterproof</p>	<p>Overmolded with Cable</p>  <p>*** Choose the cable length:01-99m</p>	<p>Field Installable</p>  <p>Completed</p>
	<p>ODVA (ROP)</p> <p>Female Connector (F) Female Contacts (F)</p>	<p>Male Connector (M) Male Contacts (M)</p>	<p>Male Connector (M) Male Contacts (M)</p>
<p>Jack 180°</p>	<p>ROP-5S 3 FFH-TC 8 7001</p> <p>ROP-5S 3 FFH-TS 8 7001</p>	<p>ROP-5SAMMM-TLM7***</p>	<p>Male Connector (M) Male Contacts (M)</p> <p>ROP-00AMMA-TLM7001</p>

### I Adaptor

<ul style="list-style-type: none"> <li>• Shielded RJ45</li> <li>• Front Fastened</li> <li>• Screw Thread</li> <li>• Backshell: Circular</li> <li>• Panel Thickness Max: 3.5mm</li> <li>• IP 67</li> </ul>   <p>Upon request</p>		 <p>* Field Installable with cap available (Upon Request)</p>	
	<p>Type 1 Receptacle</p>	<p>Type 2 Field Installable</p>	<p>Type 3 Field Installable (In-line)</p>
	<p>RDP-00PFFH-SCU7001</p>	<p>RDP-00DFFA-SLM7001</p>	<p>RDP-00BFFA-SLM7001</p>

\* Design and specification are subject to change without notice.

**Amphenol LTW Technology Co., Ltd.**

5F-3, No.51, Sec.4, Zhongyang Rd., Tucheng Dist., New Taipei City 236, Taiwan  
Telephone: +886-2-77416888 Fax: +886-2-77416999  
[www.amphenolltw.com](http://www.amphenolltw.com)

**Kunshan Factory**

No. 62, DaTong Road, Development Zone, Kunshan City, JiangSu Province, 215333 China  
Telephone: +86-512-5761-0501  
Fax: : +86-512-5761-0515

**For further information, please contact :**

Sales & Marketing Department | Email : [sales@ltw-tech.com](mailto:sales@ltw-tech.com)

Компания «Океан Электроники» предлагает заключение долгосрочных отношений при поставках импортных электронных компонентов на взаимовыгодных условиях!

Наши преимущества:

- Поставка оригинальных импортных электронных компонентов напрямую с производств Америки, Европы и Азии, а так же с крупнейших складов мира;
- Широкая линейка поставок активных и пассивных импортных электронных компонентов (более 30 млн. наименований);
- Поставка сложных, дефицитных, либо снятых с производства позиций;
- Оперативные сроки поставки под заказ (от 5 рабочих дней);
- Экспресс доставка в любую точку России;
- Помощь Конструкторского Отдела и консультации квалифицированных инженеров;
- Техническая поддержка проекта, помощь в подборе аналогов, поставка прототипов;
- Поставка электронных компонентов под контролем ВП;
- Система менеджмента качества сертифицирована по Международному стандарту ISO 9001;
- При необходимости вся продукция военного и аэрокосмического назначения проходит испытания и сертификацию в лаборатории (по согласованию с заказчиком);
- Поставка специализированных компонентов военного и аэрокосмического уровня качества (Xilinx, Altera, Analog Devices, Intersil, Interpoint, Microsemi, Actel, Aeroflex, Peregrine, VPT, Syfer, Eurofarad, Texas Instruments, MS Kennedy, Miteq, Cobham, E2V, MA-COM, Hittite, Mini-Circuits, General Dynamics и др.);

Компания «Океан Электроники» является официальным дистрибьютором и эксклюзивным представителем в России одного из крупнейших производителей разъемов военного и аэрокосмического назначения «JONHON», а так же официальным дистрибьютором и эксклюзивным представителем в России производителя высокотехнологичных и надежных решений для передачи СВЧ сигналов «FORSTAR».



## JONHON

«JONHON» (основан в 1970 г.)

Разъемы специального, военного и аэрокосмического назначения:

(Применяются в военной, авиационной, аэрокосмической, морской, железнодорожной, горно- и нефтедобывающей отраслях промышленности)

«FORSTAR» (основан в 1998 г.)

ВЧ соединители, коаксиальные кабели,  
кабельные сборки и микроволновые компоненты:

(Применяются в телекоммуникациях гражданского и специального назначения, в средствах связи, РЛС, а так же военной, авиационной и аэрокосмической отраслях промышленности).



Телефон: 8 (812) 309-75-97 (многоканальный)

Факс: 8 (812) 320-03-32

Электронная почта: [ocean@oceanchips.ru](mailto:ocean@oceanchips.ru)

Web: <http://oceanchips.ru/>

Адрес: 198099, г. Санкт-Петербург, ул. Калинина, д. 2, корп. 4, лит. А