

Cinch Connectivity Solutions

High Frequency
End Launch Connectors



HIGH FREQUENCY SMA END LAUNCH CONNECTORS

Applications

High Frequency SMA End Launch Connectors For Microwave PC Board Substrates

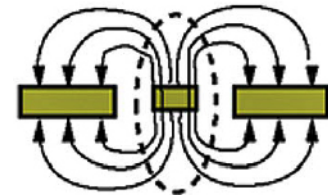
The Johnson® Patent Pending High Frequency End Launch connectors are used to transition microwave energy from coaxial to planar transmission line structures. These patent pending connectors provide a unique solution for microwave engineers who fabricate circuit designs on very thin high frequency board substrates. The in-line connector design minimizes reflections as compared to a right-angle (perpendicular) pc mount transition.

Applications for these connectors include:

- Cellular Linear Power Amplifiers
- Broadband MMIC Power Amplifiers
- Microwave Filters, Mixers and Combiners
- Wireless Infrastructure Antennas
- DBS Low-Noise Block Down Converters
- Remote Sensing and Metering
- Global Positioning Satellite Antennas
- Phased Array Antennas
- Radar Systems
- High Speed Routers and Switches
- Automated Test Equipment
- RF Identification Tags



COAXIAL



COPLANAR

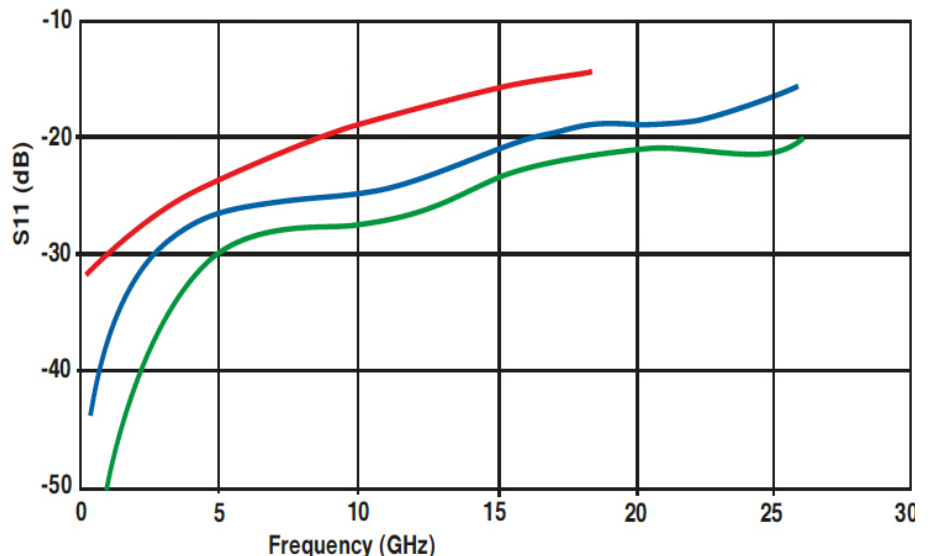
The Johnson® High Frequency End Launch connector is designed to attach directly to a high frequency coplanar waveguide (CPW) circuit board transmission line, although other lines such as microstrip can be used with good results. These connectors can be used on high frequency PC board substrate layers as thin as 8 mils, and operate at frequencies up to 26.5 GHz (see Return Loss chart).

“PATENT PENDING”

Typical Return Loss

Measured on 50 ohm GCPW fabricated on Rogers® RO-4003™ substrate

- 142-0761-811 (8 mil substrate)
- 142-0761-871 (16 mil substrate)
- VSWR = 1.05+.02F(GHz)



HIGH FREQUENCY SMA END LAUNCH CONNECTORS

Design Features

This connector is an economical alternative to other high frequency designs in the industry. This patent pending design differentiates itself from other launch connectors:

- Design of the connector is self contained, no external mounting screws, adapter sections, spring clips, etc. are required for assembly to the circuit board.
- Center contact pin does not require special orientation to the surface of the circuit board. The center contact is mechanically captivated and optimized to maintain proper impedance while withstanding torque and axial force stress.
- Output coax of the connector at board launch is sized appropriately to match the thickness of the high frequency board substrate. The output coax section extends well within the connector while maintaining constant inner and outer coaxial diameters.
- Signal side grounding legs of the connector are spaced close enough to keep grounding paths short, but far enough apart to maintain constant impedance in the launch transition area.
- Signal side grounding legs and GCPW geometry control radiation, no additional shielding is required to prevent signal cross-talk effects in the transition area. The launch transition is effectively isolated from adjacent transmission lines in the signal plane.
- Connector is not locked into position when placed on the circuit board. Intentional floating design allows proper alignment in X, Y and Z, minimizing discontinuities due to manufacturing tolerances.
- The new distinctive through hole mounting technique allows the use of one connector with varying circuit board thicknesses. The connectors are also available in a traditional straddle mount end launch design, which was pioneered by Emerson Network Power Connectivity Solutions over 20 years ago.
- A small amount of PTFE insulation projects from the rear mating plane of the connector, acting as a seal when soldering the center conductor pin to the trace. The connector is held against the circuit board edge during the soldering process, compressing the PTFE insulation. This effectively creates a barrier between the inner and outer conductors, preventing the bridging of solder.
- Appropriate sized connectors do not require additional compensation to standard coplanar or microstrip matched impedance line geometries. Transition can be fine-tuned by pulling the trace back a slight amount from the board edge.

HIGH FREQUENCY SMA END LAUNCH CONNECTORS

Specifications

ELECTRICAL SPECIFICATIONS

Impedance: 50 Ohms

Frequency Range: 0-26.5 GHz

VSWR: 1.05+.02F(GHz) maximum at 0-18 GHz, <1.50 typical at 18-26.5 GHz

Working Voltage: 170 Vrms maximum at sea level,
45 Vrms maximum at 70K feet

Dielectric Withstanding Voltage: 500 Vrms minimum at sea level

Corona Level: 125 Volts at 70K feet

Insertion Loss: Dependant upon application

Insulation Resistance: 1000 Megohms minimum

Contact Resistance: (milliohms maximum) Initial After Environmental

| | | |
|----------------------|-----|----------------|
| Center Contact . . . | 3.0 | 4.0 |
| Outer Conductor. . . | 2.0 | Not Applicable |

RF Leakage: Not Applicable

RF High Potential Withstanding Voltage: 335 Vrms minimum at 4 and 7 MHz

MECHANICAL SPECIFICATIONS

Engagement Design: MIL-STD-348, Series SMA

Durability: 500 Cycles minimum

Engagement/Disengagement Force: 2 inch-pounds maximum

Mating Torque: 7 to 10 inch-pounds

Contact Retention: 6 pounds minimum axial force, 4 in-oz minimum radial torque

ENVIRONMENTAL SPECIFICATIONS

(Meets or Exceeds the Applicable Paragraph of MIL-PRF-39012)

Temperature Range: -65°C to +165°C

Thermal Shock: MIL-STD-202, Method 107, Condition B-Except 115°C High Temp

Corrosion: MIL-STD-202, Method 101, Condition B

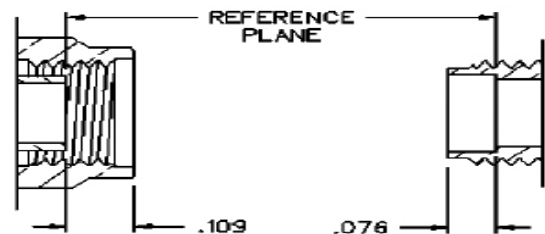
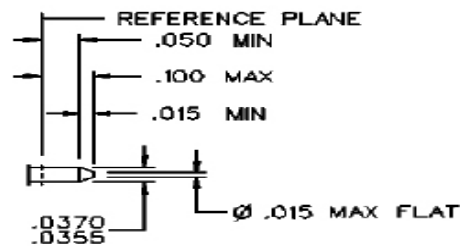
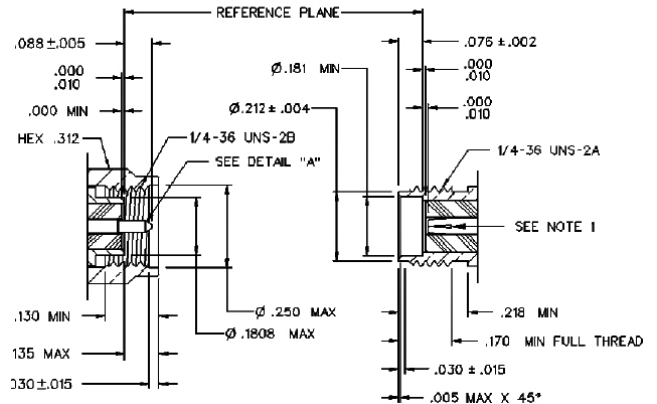
Shock: MIL-STD-202, Method 213, Condition I

Vibration: MIL-STD-202, Method 204, Condition D

Moisture Resistance: MIL-STD-202, Method 106

Mating Engagement for SMA Series Thickwall Plug Compatible with MIL-STD-348

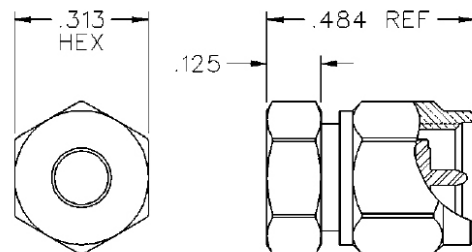
1. ID TO MEET VSWR, CONTACT RESISTANCE AND INSERTION WITHDRAWAL FORCES WHEN MATED WITH A DIA. .0355-.0370 PIN.



Assembly Tool for End Launch Jack Receptacles



Hand tighten to 5 inch pounds maximum torque
140-0000-973



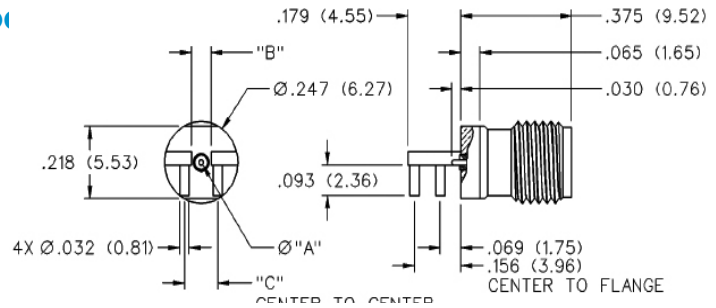
HIGH FREQUENCY SMA END LAUNCH CONNECTORS

Part Data

Jack Receptacle - PC Mount, Round Body



Coupling proof torque 8 inch pounds maximum without support wrench

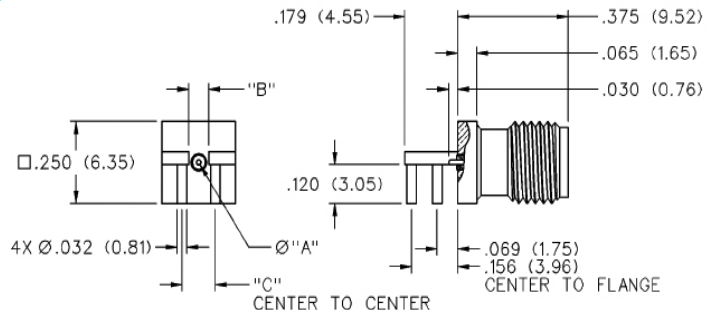


| Freq Range | Gold Plated | High Frequency Substrate Thickness | "A" | "B" | "C" |
|------------|--------------|------------------------------------|-------------|-------------|-------------|
| 0-26.5 GHz | 142-0761-801 | .008 (0.20) - .014 (0.36) | .010 (0.25) | .050 (1.27) | .096 (2.44) |
| | 142-0761-821 | .014 (0.36) - .020 (0.51) | .015 (0.38) | .067 (1.70) | .113 (2.87) |

Jack Receptacle - PC Mount, Square Body

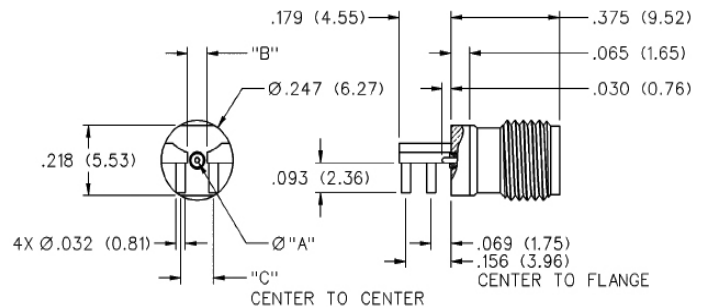


Coupling proof torque 8 inch pounds maximum without support wrench



| Freq Range | Gold Plated | High Frequency Substrate Thickness | "A" | "B" | "C" |
|------------|--------------|------------------------------------|-------------|-------------|-------------|
| 0-26.5 GHz | 142-0761-811 | .008 (0.20) - .014 (0.36) | .010 (0.25) | .050 (1.27) | .096 (2.44) |
| | 142-0761-831 | .014 (0.36) - .020 (0.51) | .015 (0.38) | .067 (1.70) | .113 (2.87) |

Jack Receptacle - PC Mount, Round Body with Thick Legs

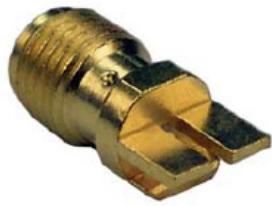


| Freq Range | Gold Plated | High Frequency Substrate Thickness | "A" | "B" | "C" |
|------------|--------------|------------------------------------|-------------|-------------|-------------|
| 0-26.5 GHz | 142-0761-881 | .008 (0.20) - .014 (0.36) | .010 (0.25) | .050 (1.27) | .096 (2.44) |
| | 142-0771-821 | .014 (0.36) - .020 (0.51) | .015 (0.38) | .067 (1.70) | .113 (2.87) |

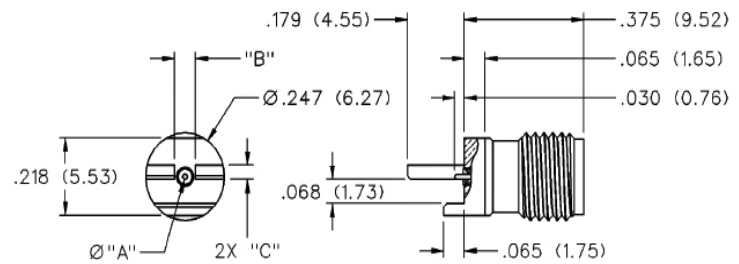
HIGH FREQUENCY SMA END LAUNCH CONNECTORS

Part Data

Jack Receptacle - Edge Mount for .062 Board, Round Body



Coupling proof torque 8 inch pounds maximum without support wrench

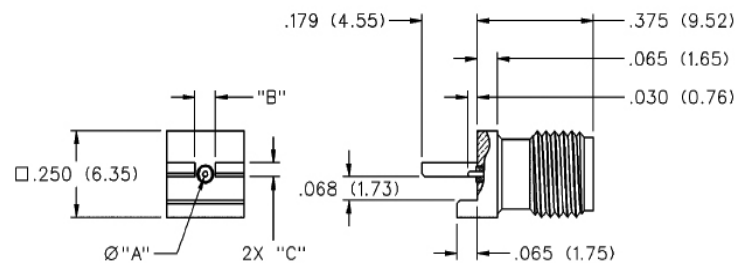


| Freq Range | Gold Plated | High Frequency Substrate Thickness | "A" | "B" | "C" |
|------------|--------------|------------------------------------|-------------|-------------|-------------|
| 0-26.5 GHz | 142-0761-841 | .008 (0.20) - .014 (0.36) | .010 (0.25) | .050 (1.27) | .032 (0.81) |
| | 142-0761-861 | .014 (0.36) - .020 (0.51) | .015 (0.38) | .067 (1.70) | .140 (1.02) |

Jack Receptacle - Edge Mount for .062 Board, Square Body

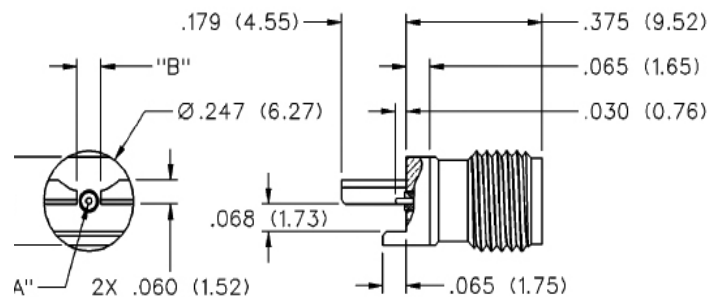


Coupling proof torque 8 inch pounds maximum without support wrench



| Freq Range | Gold Plated | High Frequency Substrate Thickness | "A" | "B" | "C" |
|------------|--------------|------------------------------------|-------------|-------------|-------------|
| 0-26.5 GHz | 142-0761-851 | .008 (0.20) - .014 (0.36) | .010 (0.25) | .050 (1.27) | .096 (2.44) |
| | 142-0761-871 | .014 (0.36) - .020 (0.51) | .015 (0.38) | .067 (1.70) | .113 (2.87) |

Jack Receptacle - Edge Mount for .062 Board, Round Body with Thick Legs



| Freq Range | Gold Plated | High Frequency Substrate Thickness | "A" | "B" |
|------------|--------------|------------------------------------|-------------|-------------|
| 0-26.5 GHz | 142-0761-891 | .008 (0.20) - .014 (0.36) | .010 (0.25) | .050 (1.27) |
| | 142-0771-831 | .014 (0.36) - .020 (0.51) | .015 (0.38) | .067 (1.70) |



HIGH FREQUENCY SMA END LAUNCH CONNECTORS

Mounting Instructions

PC Mounting Instructions

High frequency end launch performance is dependent upon proper mounting.

The following factors must be controlled for optimum performance:

- a. The connector should fit tightly against the circuit board edge, avoid gaps.
- b. The center contact pin must lie parallel and flat against the circuit board, avoid gaps.
- c. The contact pin should be centered on the circuit board signal trace.
- d. Use a minimal amount of solder between the contact pin and signal trace. Do not allow excess solder to build up or flow down the trace.
- e. Clean all excess flux and other residue from the launch area, especially between the trace and ground

The basic steps required to mount the end launch connector to the circuit board are as follows:

1. Fixture 140-0000-973 should be used as an aid during manual soldering. The fixture protects the connector from damage during clamping and also maintains the proper location of the connector's insulator and contact. To use the fixture, thread the coupling nut on the mating end of the connector and hand tighten. This mounting assembly can now be held in a vice or similar clamping device, as shown in Figure 1.
2. Position connector on the circuit board, making sure the contact pin is aligned with the center of the signal trace as shown in Figure 2. Make sure that the connector legs and contact pin are held flush against the top of the circuit board, keeping the axis of the connector parallel to the plane of the circuit board, as shown in Figure 3.
3. A small amount of Teflon® insulation projects from rear mating plane of the connector, which acts as a seal when soldering the center conductor pin to the trace. Clamp the connector tightly against the edge of the board. This action compresses the insulator seal against the board edge. This effectively creates a barrier between the inner and outer conductors preventing the bridging of solder.
4. While ensuring the connector is held in the correct position, solder the ground legs and/or ground posts to the top and bottom of the board prior to bonding the center pin to the trace.
5. Once the connector body is properly grounded to the board, the center contact pin can be bonded to the trace by using a minimal amount of solder as shown in Figure 4. It is important that solder flows along the length of the exposed pin, creating a good electrical and mechanical connection. Remove any excess solder that is not required for a solid joint.
6. Clean all flux and other residues from the trace area between the signal side ground legs, as any flux present between the signal trace and ground will affect performance. The completed mounting assembly should look similar to the one shown in Figure 5.



Figure 1

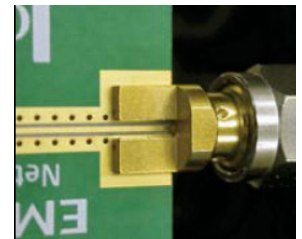


Figure 2



Figure 3

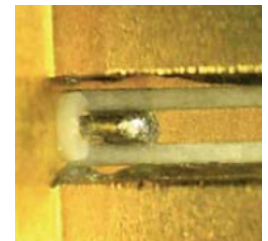


Figure 4



Figure 5

HIGH FREQUENCY SMA END LAUNCH CONNECTORS

Mounting Instructions

Mounting Footprint Info

1. All of the drilled holes are plated through the entire circuit board stackup.
2. All hole patterns are symmetrical about center of the trace.
3. The recommended mounting footprints are shown for the top (signal) side of the board only. Use ground planes on additional layers where appropriate.
4. For optimum high frequency circuit board performance, use the following fabrication guidelines:
 - a. Maintain a solid ground plane below the high frequency substrate layer.
 - b. Control the pullback of the trace and grounds from the board edge.
 - c. Continue the grounded coplanar waveguide line beyond the ground pad area.
 - d. Place 16 mil diameter ground vias on both sides of the coplanar waveguide line, spaced at 50 mil intervals along the entire length of the line.
 - e. Immersion gold plate (ENIG) all high frequency conductors per IPC-4552.
 - f. Do not coat the coplanar waveguide signal trace or open ground gaps with soldermask.

Reference dimensions for 50 ohm grounded coplanar waveguide using Rogers Corporation RO4003C™ high frequency substrate laminate*

| Part Number | GCPW 50Ω Impedance Reference Dimensions * | | | | Mounting and Via Holes | | |
|--------------|---|---------------------|-----------------|-----------------|------------------------|-------------|-------------|
| | Substrate Thickness | Conductor Thickness | Trace Width "A" | Ground Gaps "B" | Fig | "C" | "D" |
| 142-0761-801 | .0080 (0.203) | .0014 (0.036) | .0155 (0.394) | .0100 (0.254) | 1 | .066 (1.68) | .096 (2.44) |
| 142-0761-811 | .0080 (0.203) | .0014 (0.036) | .0155 (0.394) | .0100 (0.254) | 1 | .066 (1.68) | .096 (2.44) |
| 142-0761-821 | .0160 (0.406) | .0014 (0.036) | .0285 (0.724) | .0100 (0.254) | 1 | .084 (2.13) | .113 (2.87) |
| 142-0761-831 | .0160 (0.406) | .0014 (0.036) | .0285 (0.724) | .0100 (0.254) | 1 | .084 (2.13) | .113 (2.87) |
| 142-0761-841 | .0080 (0.203) | .0014 (0.036) | .0155 (0.394) | .0100 (0.254) | 2 | .066 (1.68) | |
| 142-0761-851 | .0080 (0.203) | .0014 (0.036) | .0155 (0.394) | .0100 (0.254) | 2 | .066 (1.68) | |
| 142-0761-861 | .0160 (0.406) | .0014 (0.036) | .0285 (0.724) | .0100 (0.254) | 2 | .084 (2.13) | |
| 142-0761-871 | .0160 (0.406) | .0014 (0.036) | .0285 (0.724) | .0100 (0.254) | 2 | .084 (2.13) | |
| 142-0761-881 | .0080 (0.203) | .0014 (0.036) | .0155 (0.394) | .0100 (0.254) | 1 | .066 (1.68) | .096 (2.44) |
| 142-0761-891 | .0080 (0.203) | .0014 (0.036) | .0155 (0.394) | .0100 (0.254) | 2 | .066 (1.68) | |
| 142-0761-821 | .0160 (0.406) | .0014 (0.036) | .0285 (0.724) | .0100 (0.254) | 1 | .084 (2.13) | .113 (2.87) |
| 142-0761-831 | .0160 (0.406) | .0014 (0.036) | .0285 (0.724) | .0100 (0.254) | 2 | .084 (2.13) | |

*These calculated dimensions assume a quasi-static mode of propagation, but dispersion does exist for coplanar waveguide. The characteristic impedance and effective dielectric constant may increase slightly for X-band and higher frequencies, unless very small ground to ground gap spacing is used.

It is assumed the conductors have rectangular cross-sections. The etching process used in circuit board fabrication actually produces trapezoidal shapes. Therefore, the GCPW impedance may increase somewhere between that of a perfect rectangular conductor and a theoretical zero thickness conductor

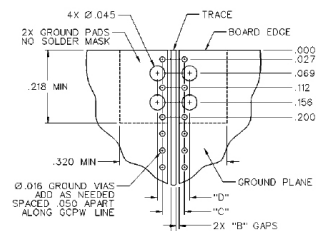


Figure 1

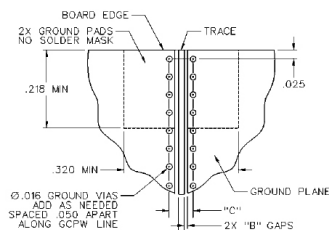


Figure 2



HIGH FREQUENCY SMA END LAUNCH CONNECTORS

White Paper

Low VSWR and Insertion Loss over a Wide Bandwidth

An accurate characterization of packaged microwave circuits, such as broadband MMIC power amplifiers, requires coaxial to planar transitions with low return and insertion loss. In order to achieve low loss, the transition design between the launch connector and the printed circuit board requires the optimization of both mechanical and electrical features. The mechanical design must physically match the electromagnetic field distribution as close as possible in order to keep the discontinuity reactances small, as shown in Figure 1. The electrical design must match the impedances and other interface discontinuity reactances over the entire bandwidth.

Minimizing the discontinuity reactances is desired rather than just compensating for them. Compensation can limit the usable frequency range of the connector, if the reactances are too large. The connector design incorporates an internal matched impedance transition from a large input coaxial connector interface, such as SMA, to a small coaxial output matched to the size of the PC board high frequency substrate. The internal transition between the input and output consists of graduated coaxial diametrical step sections, each optimized in size with inductive offsets to reduce the capacitive discontinuities created by the change in coaxial diameters. As shown in Figure 1, using multiple coaxial step sections to match the size of the circuit board reduces the overall effect of the discontinuities, thereby increasing the usable frequency range of the launch connector.

The transition between the launch and the PC board is designed for attachment to grounded coplanar waveguide (GCPW) transmission lines. The signal output pin of the launcher is optimized in both length and diameter to match the corresponding GCPW line. The geometrical size of the signal side ground leg pairs is optimized in height, length and center to center spacing to match the output pin and GCPW line. The combination of optimal signal pin and ground leg design minimizes the attachment discontinuity reactance.

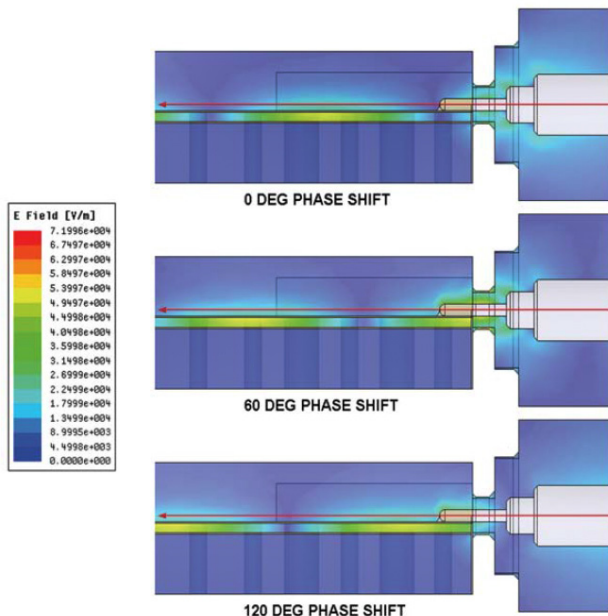


Figure 1 - Simulated Electric Field Distributions within the Dielectric Regions at 18 GHz

HIGH FREQUENCY SMA END LAUNCH CONNECTORS

White Paper

Easily connected to GPCW transmission lines with reproducible results

A coplanar waveguide transmission line is formed by a planar conductor separated by a pair of ground planes, all on the same plane, atop of a high frequency dielectric medium. A variant is formed when a ground plane is provided on the opposite side of the dielectric which is called grounded coplanar waveguide (GCPW). Although GCPW is the preferred transmission line structure on the circuit board for this connector, other lines such as microstrip can be used with good results.

At microwave frequencies, the coplanar waveguide can be equal to or better than the microstrip when loss and dispersion are used as a basis for comparison. Minimum loss for a given coplanar waveguide occurs at about 60 Ohms whereas the minimum loss for microstrip occurs at about 25 Ohms. A full wave analysis which includes space wave and surface wave radiation shows that coplanar waveguide discontinuities radiate much less energy than microstrip discontinuities.

The GCPW transmission line is fabricated on a high frequency circuit board substrate. Dielectric constant control, low dissipation factor and controlled thicknesses differentiate these high frequency circuit board materials from those typically used in the high volume printed circuit board world like FR4 and BT/epoxy. For higher frequencies, dielectric loss becomes an important contributor to the total loss. This is important because, as the frequency increases, the thickness of the material must decrease in order to avoid generating transverse modes on the transmission lines.

The high frequency material's low loss performance extends the useful range of these materials well above 20 GHz. However, very thin dielectric layers as small as .008" are not mechanically stable enough to support the connector and associated circuitry. Therefore, hybrid circuit board constructions consisting of high frequency laminates and epoxy/glass substrates have become an increasingly utilized alternative to lower overall circuit board costs. The DC, control and digital signal paths are designed onto the lower cost epoxy/glass FR4 layer and the microwave signals are carried on the high frequency top layer as shown in Figures 1A and 1B.

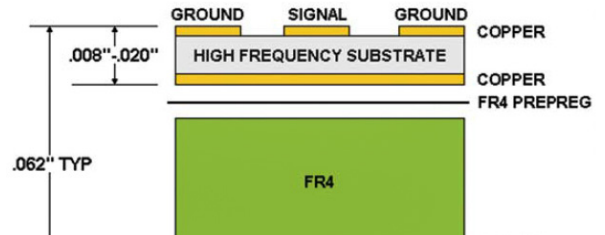


Figure 1A

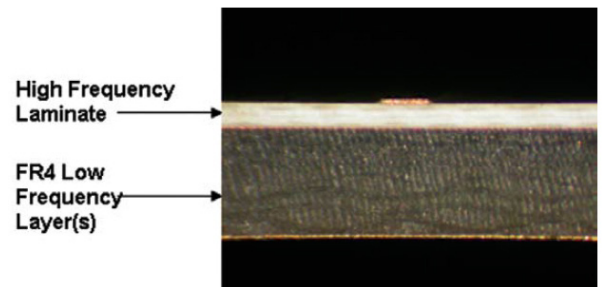


Figure 1B

Figure 1 - Simulated Electric Field Distributions within the Dielectric Regions at 18 GHz

HIGH FREQUENCY SMA END LAUNCH CONNECTORS

White Paper

As can be seen in the cut away portion of Figure 1, the connector's center conductor pin is directly attached in-line with the GCPW signal trace. The body of the connector is always attached to the signal side ground. The design of the center conductor pin is a compromise between ease of assembly and minimal discontinuity reactance. The diameter of the pin is matched approximately to the thickness of the GCPW structure. Scaling down the pin diameter matches the electromagnetic field distributions with the GCPW line in order to keep the discontinuity reactance small.

The output coax of the connector at the transition area is sized appropriately to match the thickness of the high frequency board substrate. The output coax section extends well within the connector by means of constant diameters, avoiding any abrupt diametrical changes at the circuit board edge which can create large discontinuities.

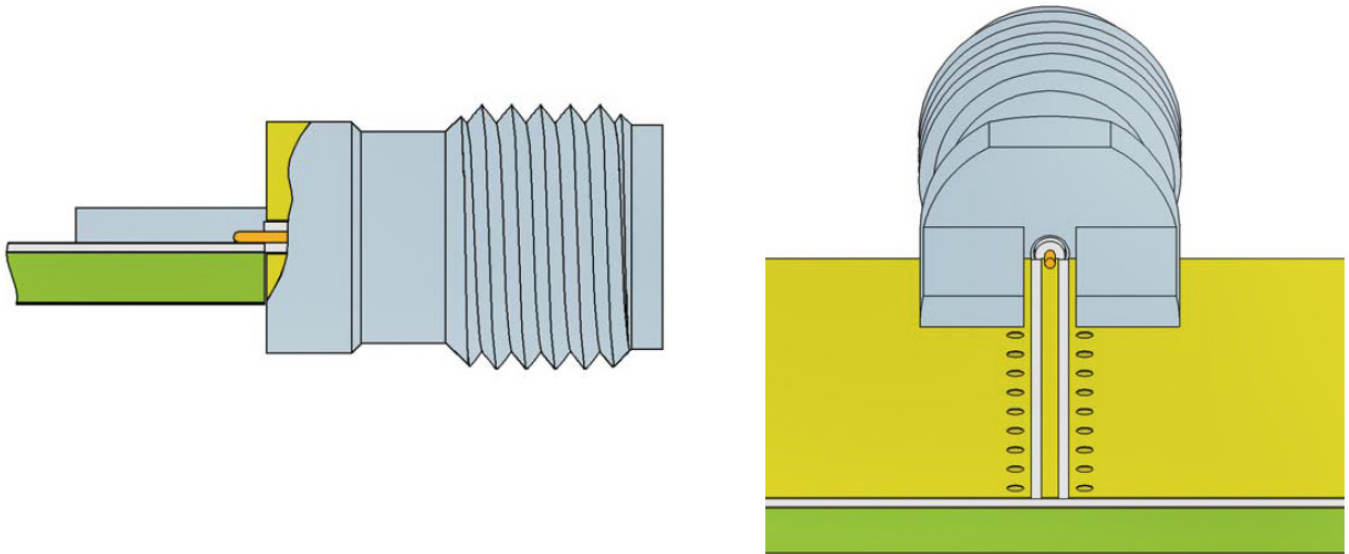


Figure 1 - End Launch Connector Shown Attached to the GCPW Transmission Line

Cinch Connectivity Solutions is a global manufacturer of a broad line of connectivity products and services supporting wireline and wireless communications, data networking, test and measurement, military, medical, broadcast and industrial applications. Connectivity Solutions delivers custom-engineered products and solutions with best-in-class service and support and customer-focused offers such as quick-turn prototyping, samples and supply chain management.



Microwave Components

Midwest Microwave - High Performance components including Attenuators, Terminations, Couplers, DC Blocks, Power Dividers, Phase Shifters, Adapters and High Performance Low Loss RF cable Assemblies. Able to offer QPL qualified products. Standard components held in stock.



Precision Coaxial Connectors and Cable Assemblies

Johnson - Subminiature, microminiature, miniature and standard connectors, and custom assemblies, including SMA, SMB, 40 GHz-capable SMK, MCX, MMCX, BNC and N Connectors. Custom designs and modifications of standard products.



CATV Components

Viewsonics - Residential and multi-unit amplifiers, security terminators, and drop splitters and passives. Headend signal management products and fiber optic connectivity for headend and optical node applications and return path test equipment.

Telecom/Broadband/OEM Cable Assemblies

Custom solutions for the Telecom, Data and Broadband markets. Expert in 50 position Telco cables, coax assemblies and analog filter products. Quick delivery capabilities. Custom solutions for Multiconductor, Flat Ribbon, Wire Harness, Coaxial, D-sub, SCSI and discrete assemblies. Design support, molding, polarizing, custom shielding and testing capabilities.



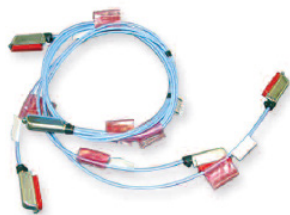
Fiber Optic Cable Assemblies and Components

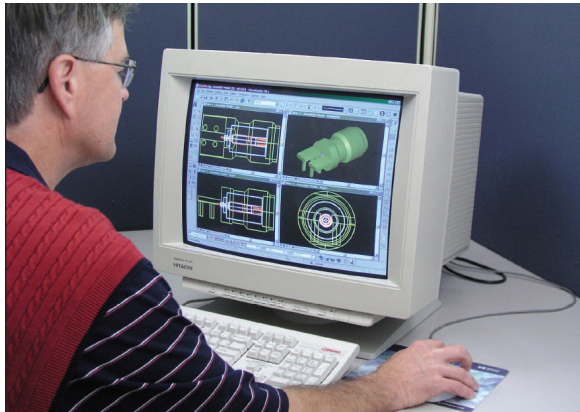
High performance multimode and single mode fiber patch cords, multi-fiber assemblies and attenuators. Solutions for the Storage Area Network and Enterprise computing markets and for ESCON™, optical FibreChannel, Infiniband and Parallel Optics applications.



Multi-purpose Connectivity and Structured Cabling

Commercial-grade connectors, including F Connectors, BNC and TNC. Structured cabling components, including CAT 5E/6 assemblies, patch panels, wallplates and tools for data communications installations. USB and SCSI cables, D-sub connectors, adapters and hardware.





Cinch Connectivity Solutions

High Frequency
End Launch Connectors

Компания «Океан Электроники» предлагает заключение долгосрочных отношений при поставках импортных электронных компонентов на взаимовыгодных условиях!

Наши преимущества:

- Поставка оригинальных импортных электронных компонентов напрямую с производств Америки, Европы и Азии, а так же с крупнейших складов мира;
- Широкая линейка поставок активных и пассивных импортных электронных компонентов (более 30 млн. наименований);
- Поставка сложных, дефицитных, либо снятых с производства позиций;
- Оперативные сроки поставки под заказ (от 5 рабочих дней);
- Экспресс доставка в любую точку России;
- Помощь Конструкторского Отдела и консультации квалифицированных инженеров;
- Техническая поддержка проекта, помощь в подборе аналогов, поставка прототипов;
- Поставка электронных компонентов под контролем ВП;
- Система менеджмента качества сертифицирована по Международному стандарту ISO 9001;
- При необходимости вся продукция военного и аэрокосмического назначения проходит испытания и сертификацию в лаборатории (по согласованию с заказчиком);
- Поставка специализированных компонентов военного и аэрокосмического уровня качества (Xilinx, Altera, Analog Devices, Intersil, Interpoint, Microsemi, Actel, Aeroflex, Peregrine, VPT, Syfer, Eurofarad, Texas Instruments, MS Kennedy, Miteq, Cobham, E2V, MA-COM, Hittite, Mini-Circuits, General Dynamics и др.);

Компания «Океан Электроники» является официальным дистрибьютором и эксклюзивным представителем в России одного из крупнейших производителей разъемов военного и аэрокосмического назначения «JONHON», а так же официальным дистрибьютором и эксклюзивным представителем в России производителя высокотехнологичных и надежных решений для передачи СВЧ сигналов «FORSTAR».



JONHON

«JONHON» (основан в 1970 г.)

Разъемы специального, военного и аэрокосмического назначения:

(Применяются в военной, авиационной, аэрокосмической, морской, железнодорожной, горно- и нефтедобывающей отраслях промышленности)

«FORSTAR» (основан в 1998 г.)

ВЧ соединители, коаксиальные кабели, кабельные сборки и микроволновые компоненты:

(Применяются в телекоммуникациях гражданского и специального назначения, в средствах связи, РЛС, а так же военной, авиационной и аэрокосмической отраслях промышленности).



Телефон: 8 (812) 309-75-97 (многоканальный)

Факс: 8 (812) 320-03-32

Электронная почта: ocean@oceanchips.ru

Web: <http://oceanchips.ru/>

Адрес: 198099, г. Санкт-Петербург, ул. Калинина, д. 2, корп. 4, лит. А