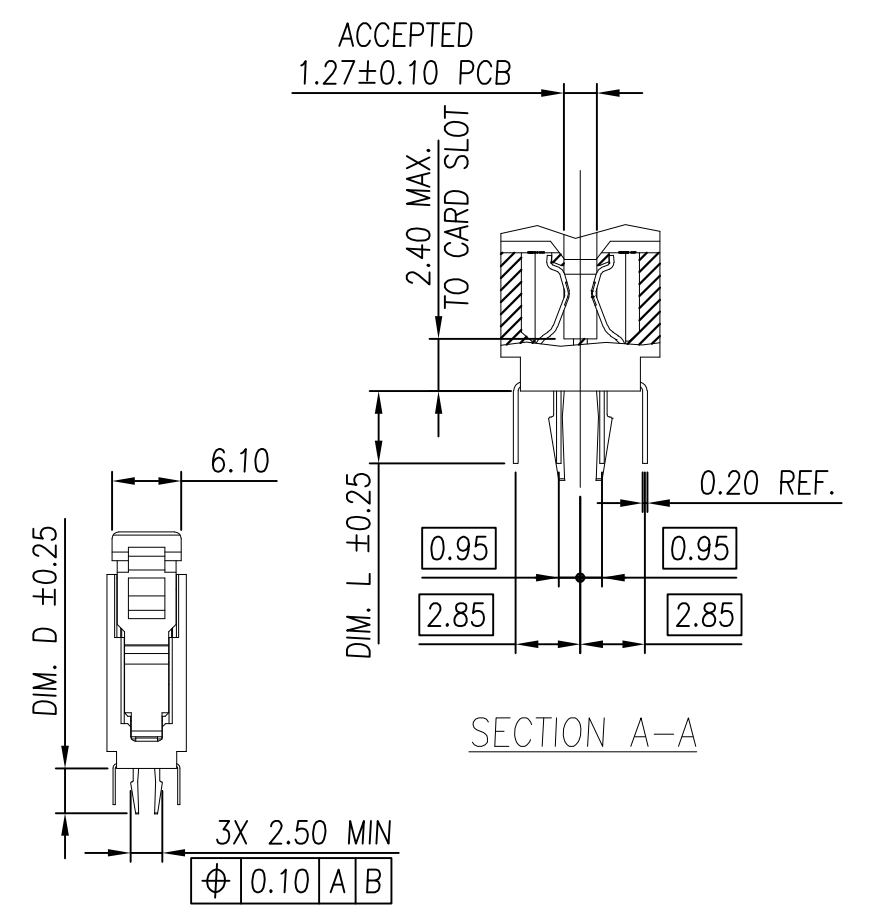
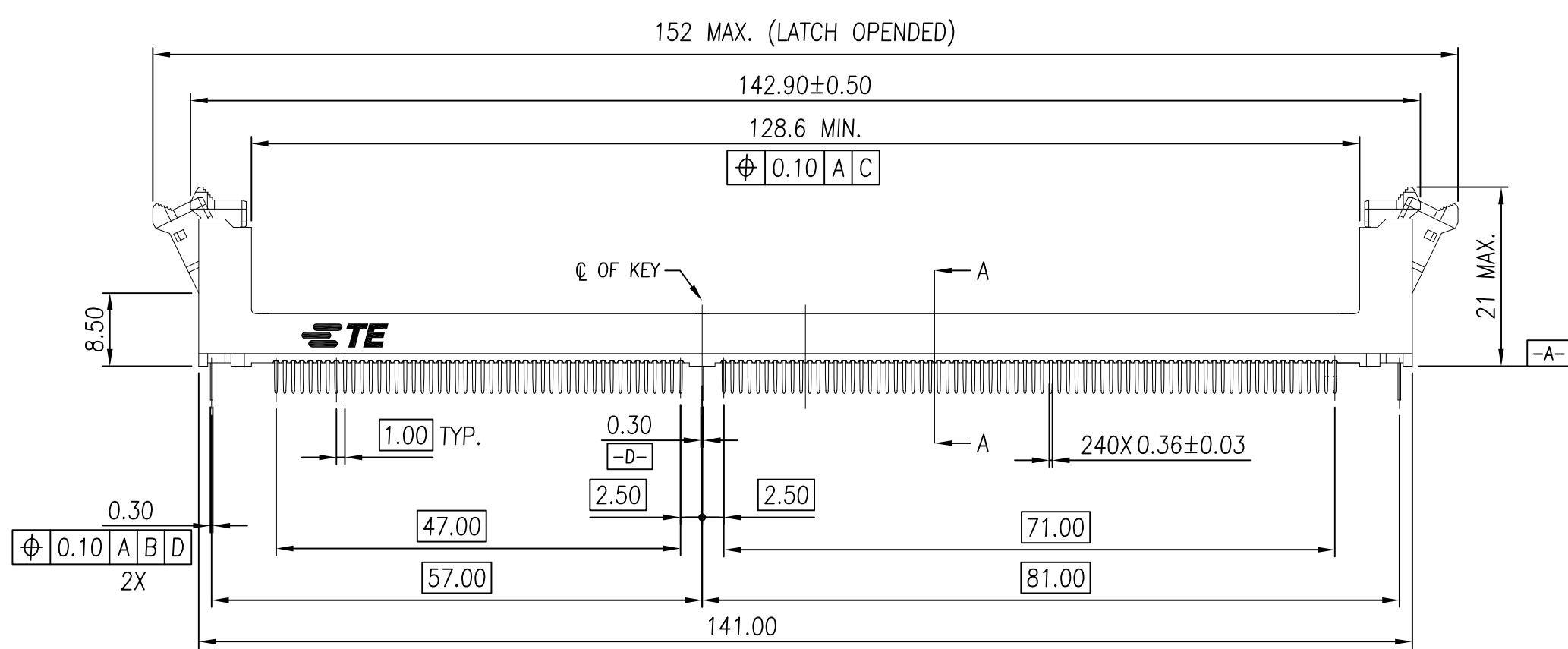
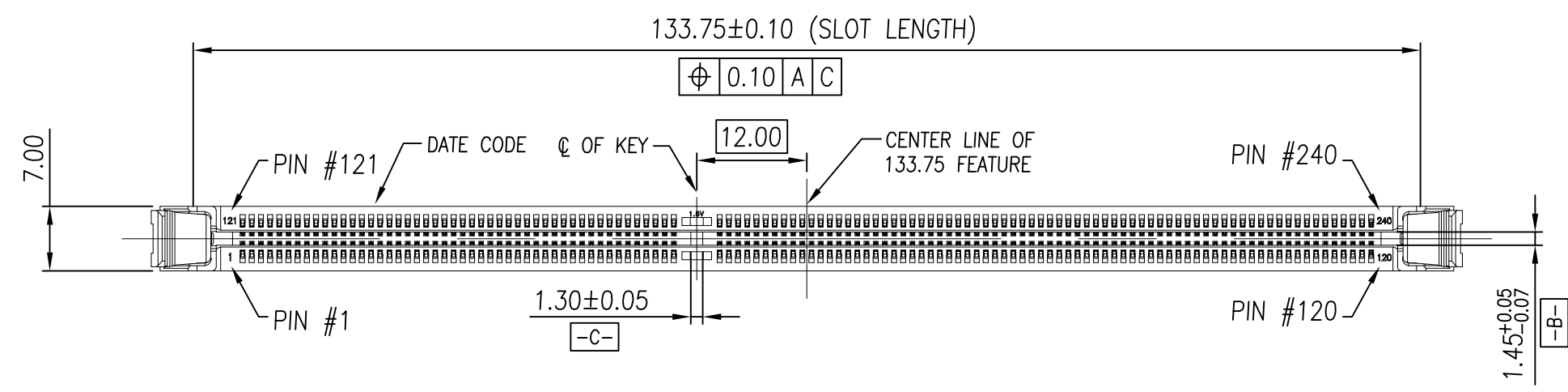


THIS DRAWING IS UNPUBLISHED. RELEASED FOR PUBLICATION
 © COPYRIGHT - By - ALL RIGHTS RESERVED.

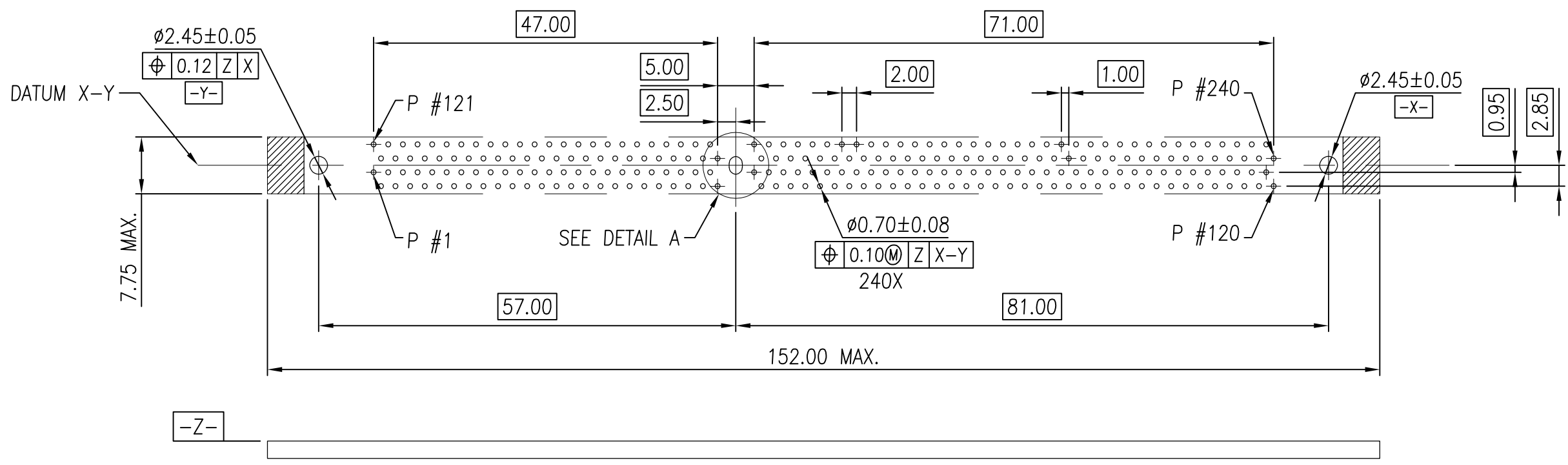
| LOC | DIST | REVISIONS | | | | |
|-----|------|-----------|-------------|-------------|------|-----|
| | | P | LTR | DESCRIPTION | DATE | DWN |
| - | - | B7 | PRELIMINARY | 16DEC2014 | D.Z | S.L |



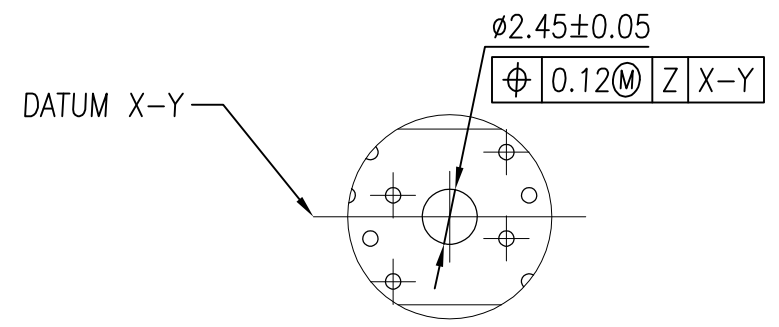
| | | | | | | | | | | | | | | |
|---|--------|---------------------------------|---|------------------|------|-----------|------------|---------------|--------|-------|-----|-------|-----|--------|
| THIS DRAWING IS A CONTROLLED DOCUMENT. | | DWN SIMON WU 30DEC2010 | TE Connectivity <h1>PRELIMINARY</h1> | | | | | | | | | | | |
| DIMENSIONS: mm | | CHK BILL WONG 30DEC2010 | | | | | | | | | | | | |
| TOLERANCES UNLESS OTHERWISE SPECIFIED: | | APVD COREL WANG 30DEC2010 | | | | | | | | | | | | |
| <table border="0"> <tr><td>0 PLC</td><td>± -</td></tr> <tr><td>1 PLC</td><td>± 0.30</td></tr> <tr><td>2 PLC</td><td>± 0.15</td></tr> <tr><td>3 PLC</td><td>± -</td></tr> <tr><td>4 PLC</td><td>± -</td></tr> <tr><td>ANGLES</td><td>± 1°</td></tr> </table> | | 0 PLC | | | ± - | 1 PLC | ± 0.30 | 2 PLC | ± 0.15 | 3 PLC | ± - | 4 PLC | ± - | ANGLES |
| 0 PLC | ± - | | | | | | | | | | | | | |
| 1 PLC | ± 0.30 | | | | | | | | | | | | | |
| 2 PLC | ± 0.15 | | | | | | | | | | | | | |
| 3 PLC | ± - | | | | | | | | | | | | | |
| 4 PLC | ± - | | | | | | | | | | | | | |
| ANGLES | ± 1° | | | | | | | | | | | | | |
| MATERIAL SEE NOTE | | FINISH SEE NOTE | PRODUCT SPEC 108-115019 | APPLICATION SPEC | SIZE | CAGE CODE | DRAWING NO | RESTRICTED TO | | | | | | |
| | | | 108-115019 | | A3 | 00779 | C-1932680 | | | | | | | |
| | | | CUSTOMER DRAWING | SCALE | 3:2 | SHEET | 1 OF 6 | REV B7 | | | | | | |

THIS DRAWING IS UNPUBLISHED. RELEASED FOR PUBLICATION
 © COPYRIGHT - By - ALL RIGHTS RESERVED.

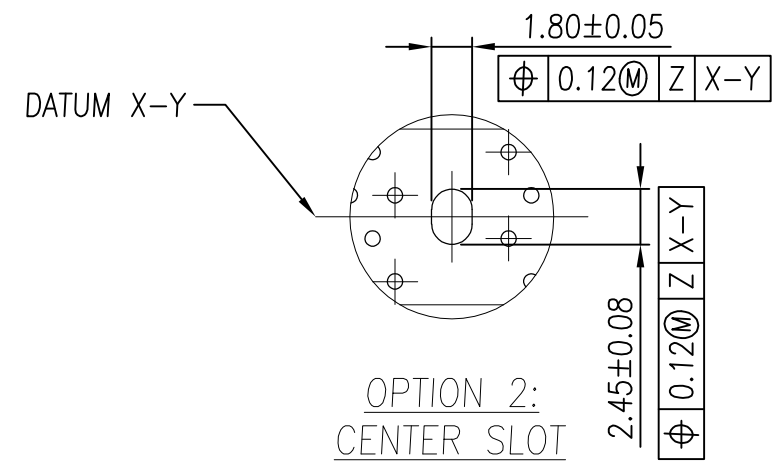
| LOC | DIST | REVISIONS | | | |
|-----|------|-------------|------|-----|------|
| P | LTR | DESCRIPTION | DATE | DWN | APVD |
| - | - | SEE SHEET 1 | - | - | - |



RECOMMENDED PCB LAYOUT (TOP VIEW)




OPTION 1:
CENTER ROUND
HOLE



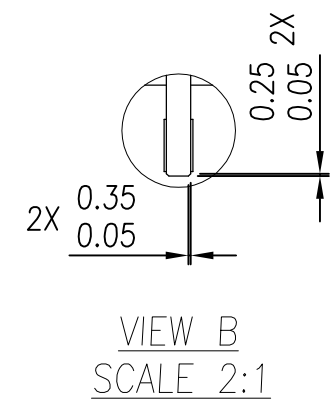
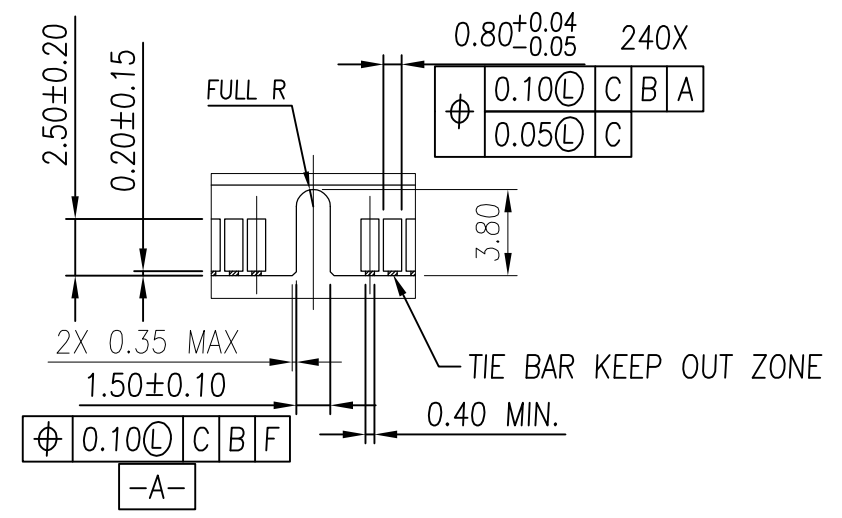
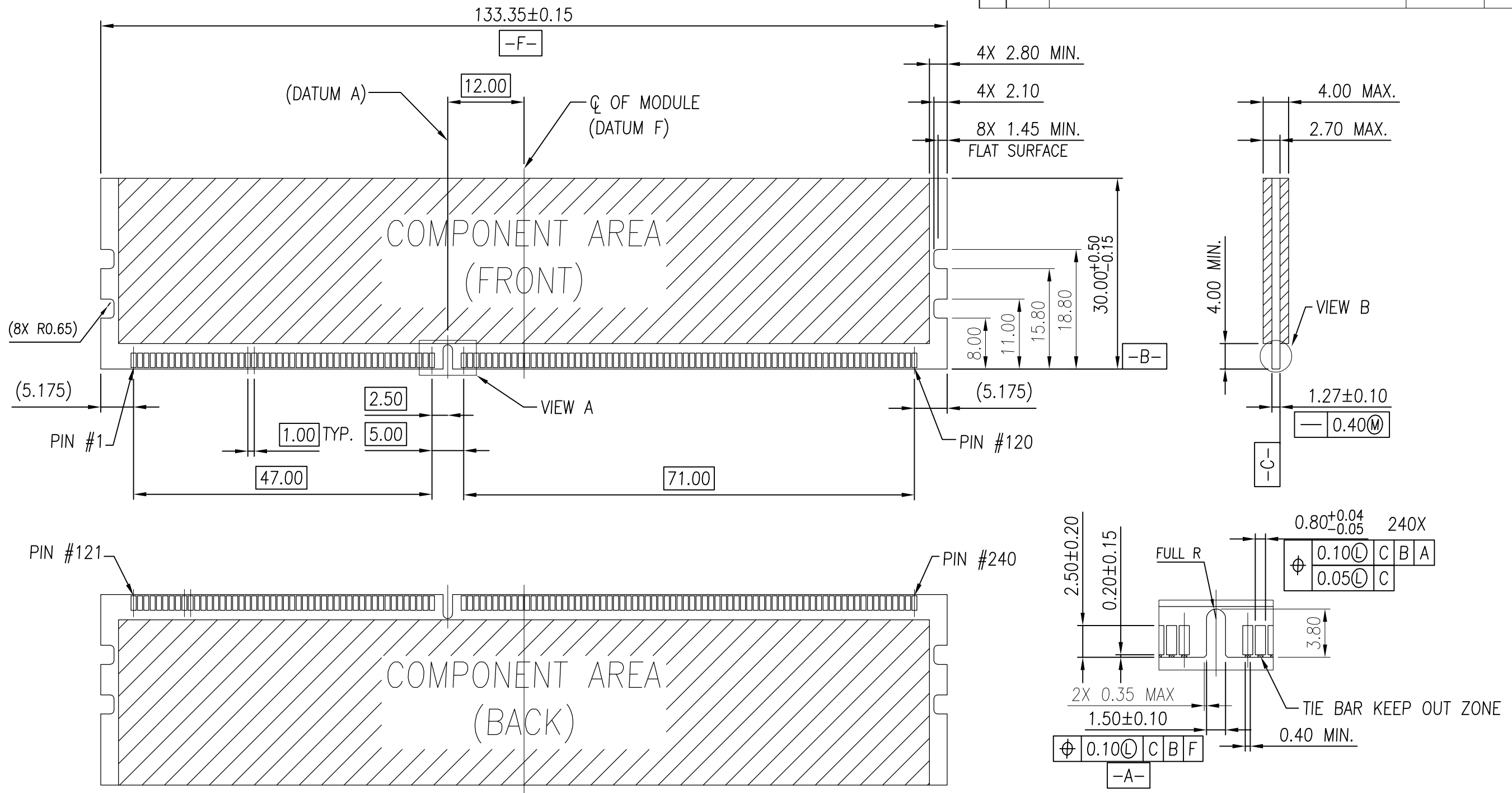
OPTION 2:
CENTER SLOT


DETAIL A
SCALE 3:1

| | | | | | | | |
|--|--|---------------------------------|---|--------------|--------------------|-------------------------|---------------|
| THIS DRAWING IS A CONTROLLED DOCUMENT. | | DWN SIMON WU 30DEC2010 |  TE Connectivity | | | | |
| DIMENSIONS: mm | | CHK BILL WONG 30DEC2010 | | | | | |
| TOLERANCES UNLESS OTHERWISE SPECIFIED: | | APVD COREL WANG 30DEC2010 | NAME | | | | |
| 0 PLC ± - 1 PLC ± 0.30 2 PLC ± 0.15 3 PLC ± - 4 PLC ± - ANGLES ± 1° | | PRODUCT SPEC | SOCKET ASSEMBLY VLP DDR-III, T/H, 240P | | | | |
| MATERIAL SEE NOTE | | FINISH SEE NOTE | APPLICATION SPEC | SIZE A3 | CAGE CODE 00779 | DRAWING NO C-1932680 | RESTRICTED TO |
| CUSTOMER DRAWING | | | WEIGHT - | SCALE 3:2 | SHEET 2 OF 6 | REV B7 | |

THIS DRAWING IS UNPUBLISHED. RELEASED FOR PUBLICATION
 © COPYRIGHT - By - ALL RIGHTS RESERVED.

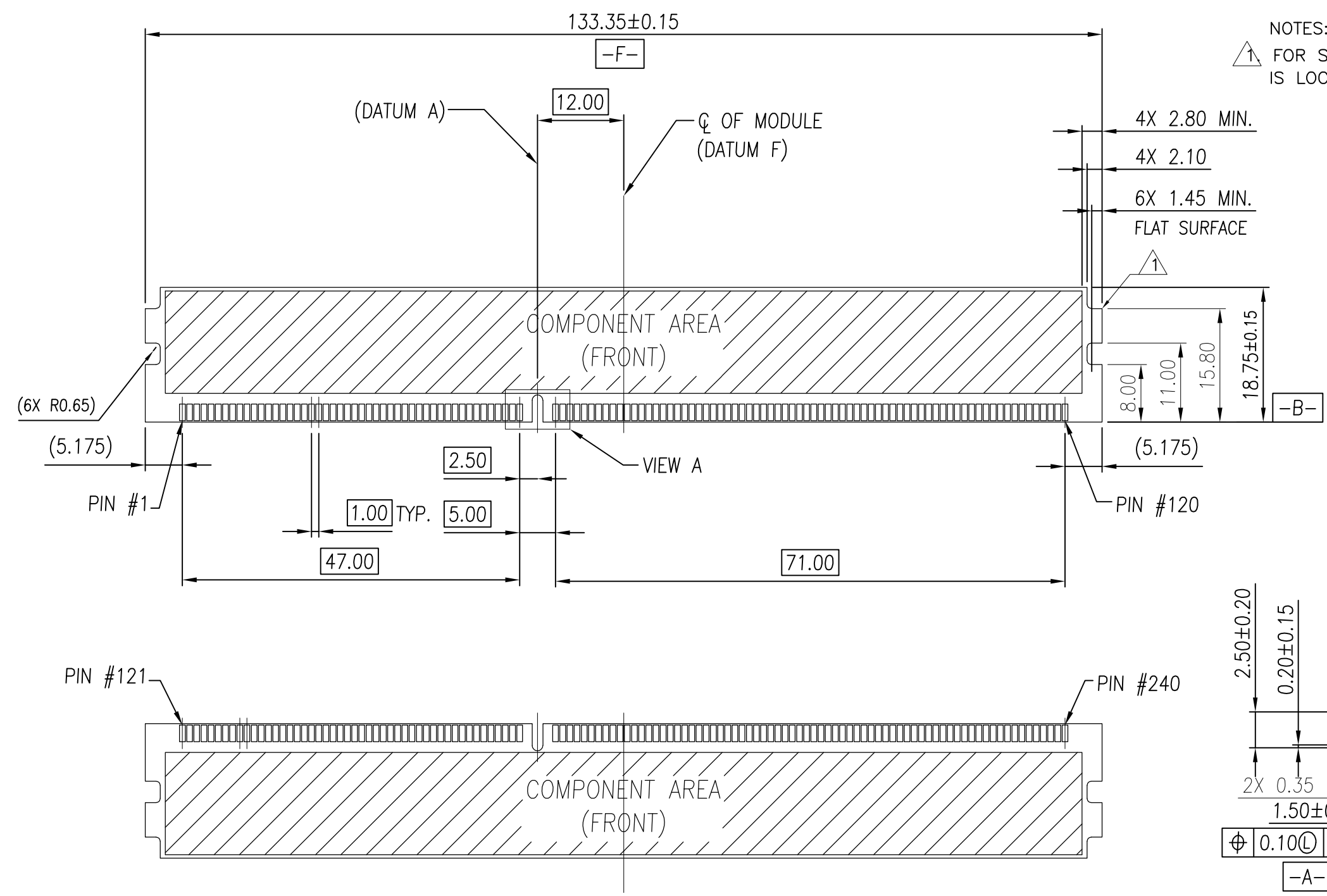
| LOC | DIST | P | LTR | DESCRIPTION | DATE | DWN | APVD |
|-----|------|---|-----|-------------|------|-----|------|
| - | - | - | - | SEE SHEET 1 | - | - | - |



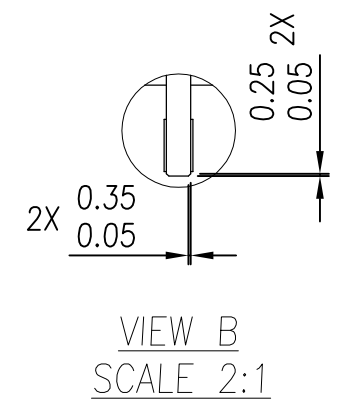
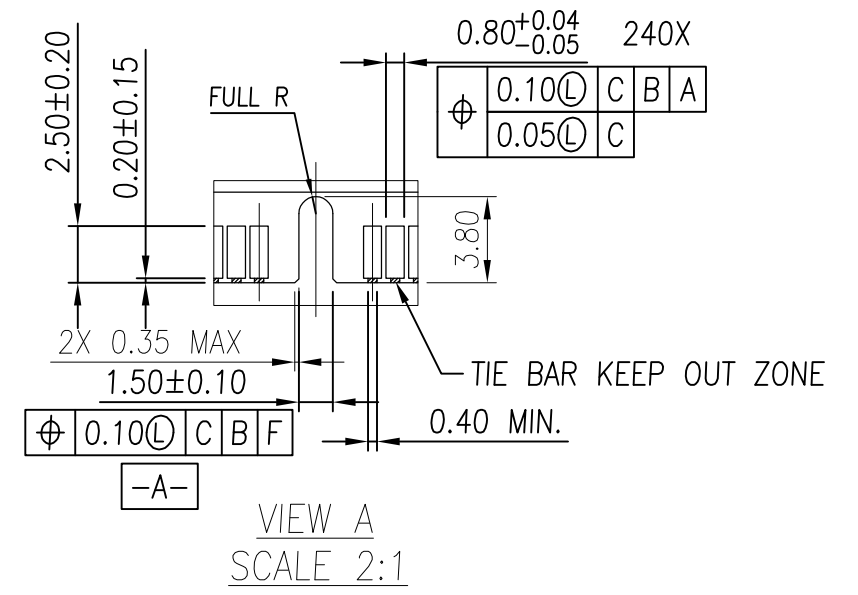
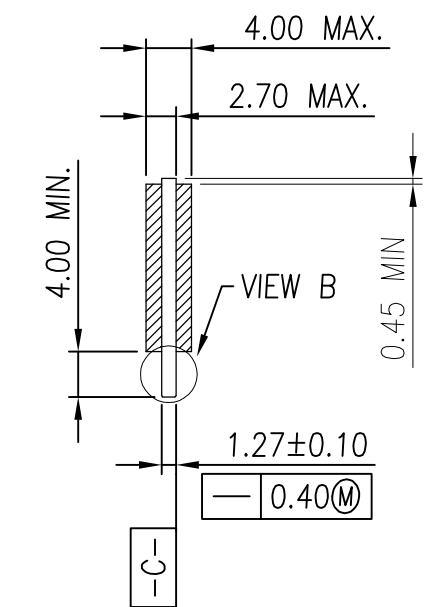
| | | | | |
|--|--------------------|---------------------------------|---|--------------------|
| THIS DRAWING IS A CONTROLLED DOCUMENT. | | DWN SIMON WU 30DEC2010 |  TE Connectivity | |
| DIMENSIONS: mm | | CHK BILL WONG 30DEC2010 | | |
| TOLERANCES UNLESS OTHERWISE SPECIFIED: | | APVD COREL WANG 30DEC2010 | NAME SOCKET ASSEMBLY VLP DDR-III, T/H, 240P | |
| 0 PLC ± - 1 PLC ± 0.30 2 PLC ± 0.15 3 PLC ± - 4 PLC ± - ANGLES ± 1° | | PRODUCT SPEC - | APPLICATION SPEC - | |
| MATERIAL SEE NOTE | FINISH SEE NOTE | WEIGHT - | SIZE A3 | CAGE CODE 00779 |
| CUSTOMER DRAWING | | | DRAWING NO C-1932680 | RESTRICTED TO - |
| | | | SCALE 3:2 | SHEET 3 OF 6 |
| | | | REV B7 | |

THIS DRAWING IS UNPUBLISHED. RELEASED FOR PUBLICATION
 © COPYRIGHT - By - ALL RIGHTS RESERVED.

| LOC | DIST | REVISIONS | | | |
|-----|------|-------------|------|-----|------|
| P | LTR | DESCRIPTION | DATE | DWN | APVD |
| - | - | SEE SHEET 1 | - | - | - |



NOTES:
 △ FOR STD VLP MODULE, THE LATCH OF CONNECTOR IS LOCKED BY UPPER NOTCH.



| | | | | | |
|--|--|-------------------|---|-----------|----------------------------|
| THIS DRAWING IS A CONTROLLED DOCUMENT. | | DWN | SIMON_WU | 30DEC2010 | STE TE Connectivity |
| DIMENSIONS: mm | | CHK | BILL_WONG | 30DEC2010 | |
| TOLERANCES UNLESS OTHERWISE SPECIFIED: | | APVD | COREL_WANG | 30DEC2010 | NAME |
| 0 PLC ± - | | PRODUCT SPEC | SOCKET ASSEMBLY | | |
| 1 PLC ± 0.30 | | APPLICATION SPEC | VLP DDR-III, T/H, 240P | | |
| 2 PLC ± 0.15 | | WEIGHT | SIZE CAGE CODE DRAWING NO RESTRICTED TO | | |
| 3 PLC ± - | | CUSTOMER DRAWING | A3 | 00779 | C-1932680 |
| 4 PLC ± - | | MATERIAL SEE NOTE | SCALE 3:2 SHEET 4 OF 6 REV B7 | | |
| ANGLES ± 1° | | FINISH SEE NOTE | | | |

THIS DRAWING IS UNPUBLISHED. RELEASED FOR PUBLICATION
 © COPYRIGHT - By - ALL RIGHTS RESERVED.

| LOC | | DIST | | REVISIONS | | | |
|-----|-----|-------------|---|-------------|-----|------|--|
| P | LTR | DESCRIPTION | | DATE | DWN | APVD | |
| - | - | - | - | SEE SHEET 1 | - | - | |


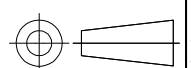
NOTES:

1. MATERIAL:
 - 1.1 HOUSING: THERMOPLASTIC, UL94V-0; COLOR: SEE TABLE.
 - 1.2 LATCH: THERMOPLASTIC, UL94V-0; COLOR: SEE TABLE.
 - 1.3 CONTACT: COPPER ALLOY.
 - 1.4 BOARDLOCK: COPPER ALLOY.
2. FINISH:
 - 2.1 CONTACT:
 - GOLD PLATING THICKNESS ON CONTACT AREA: SEE TABLE.
 - THICKNESS 100u" MIN. MATTE-TIN PLATING ON SOLDER TAIL AREA.
 - THICKNESS 90u" MIN. NICKEL UNDERPLATING OVERALL FOR 20u" GOLDPLATING.
 - THICKNESS 50u" MIN. NICKEL UNDERPLATING OVERALL FOR OTHER GOLDPLATING.
 - SEALANT APPLY IN PLATING PROCESS.
 - 2.2 BOARDLOCK:
 - THICKNESS 50u" MIN. NICKEL UNDERPLATING OVERALL.
 - THICKNESS 100u" MIN. MATTE-TIN PLATING OVERALL.

3. CONFORMS TO THE REQUIREMENTS OF EIA/ECA-364-1000.01A (CONTROLLED ENVIRONMENT APPLICATIONS, AND TE PRODUCT SPECIFICATION.)

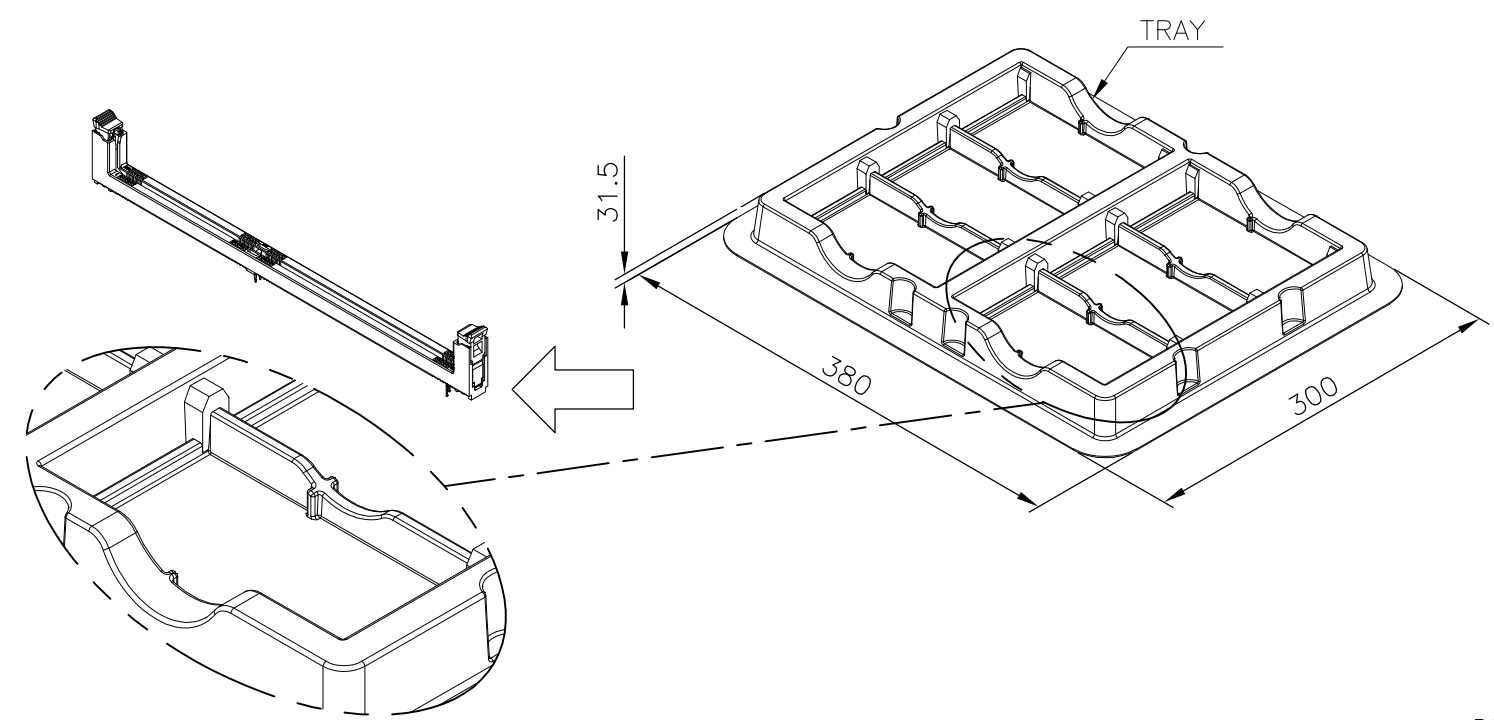
- 4. LLCR SPEC.: 30mΩ MAX. INITIAL, THE CHANGE NOT GREATER THAN 20mΩ AFTER ALL ENVIRONMENT TEST.
- 5. LLCR SPEC.: 10mΩ MAX. INITIAL, THE CHANGE NOT GREATER THAN 10mΩ AFTER ALL ENVIRONMENT TEST.

| LLCR SPEC. | DIM. L | DIM. D | CONTACT GOLD PLATING | LATCH COLOR | HOUSING COLOR | PART NUMBER |
|------------|--------|--------|----------------------|-------------|---------------|-------------|
| SEE NOTE 5 | 4.00 | 4.00 | 30u" MIN | NATURAL | BLACK | 2-1932680-3 |
| SEE NOTE 5 | 2.67 | 3.50 | 15u" MIN | NATURAL | BLUE(2935U) | 2-1932680-2 |
| SEE NOTE 5 | 2.67 | 3.50 | 15u" MIN | NATURAL | BLACK | 2-1932680-1 |
| SEE NOTE 5 | 3.18 | 4.00 | 30u" MIN | BLACK | BLACK | 2-1932680-0 |
| SEE NOTE 5 | 3.18 | 4.00 | 20u" MIN | GREEN(375C) | BLACK | 1-1932680-9 |
| | | | 15u" MIN | NATURAL | BLUE(2935U) | 1-1932680-8 |
| | | | 15u" MIN | NATURAL | BLACK | 1-1932680-7 |
| | | | 20u" MIN | NATURAL | BLACK | 1-1932680-6 |
| SEE NOTE 5 | 2.54 | 3.50 | 20u" MIN | BLACK | BLACK | 1-1932680-5 |
| | | | 20u" MIN | GREEN(375C) | BLACK | 1-1932680-4 |
| SEE NOTE 5 | 2.54 | 3.50 | 20u" MIN | NATURAL | BLACK | 1-1932680-3 |
| | | | 20u" MIN | BLACK | BLACK | 1-1932680-2 |
| SEE NOTE 5 | 3.18 | 4.00 | 30u" MIN | NATURAL | BLACK | 1-1932680-1 |
| | | | 20u" MIN | GREEN(375C) | BLACK | 1-1932680-0 |
| | | | 15u" MIN | NATURAL | BLUE(2935U) | 1932680-8 |
| | | | 15u" MIN | NATURAL | BLACK | 1932680-6 |
| SEE NOTE 4 | 3.18 | 4.00 | 20u" MIN | NATURAL | BLACK | 1932680-4 |
| | | | 20u" MIN | BLACK | BLACK | 1932680-2 |

| | | | | | | | | | |
|---|--|---------------------------------|--|------------|--------------------|-------------------------|--------------|-----------------|-----------|
| THIS DRAWING IS A CONTROLLED DOCUMENT. | | DWN SIMON WU 30DEC2010 |  TE Connectivity SOCKET ASSEMBLY VLP DDR-III, T/H, 240P | | | | | | |
| DIMENSIONS: mm | | CHK BILL WONG 30DEC2010 | | | | NAME | | | |
|  | | APVD COREL WANG 30DEC2010 | | | | PRODUCT SPEC | | | |
| TOLERANCES UNLESS OTHERWISE SPECIFIED: | | APPLICATION SPEC | | | | RESTRICTED TO | | | |
| MATERIAL SEE NOTE | | FINISH SEE NOTE | | SIZE A3 | CAGE CODE 00779 | DRAWING NO C-1932680 | SCALE 3:2 | SHEET 5 OF 6 | REV B7 |
| CUSTOMER DRAWING | | | | SCALE | | SHEET | | REV | |

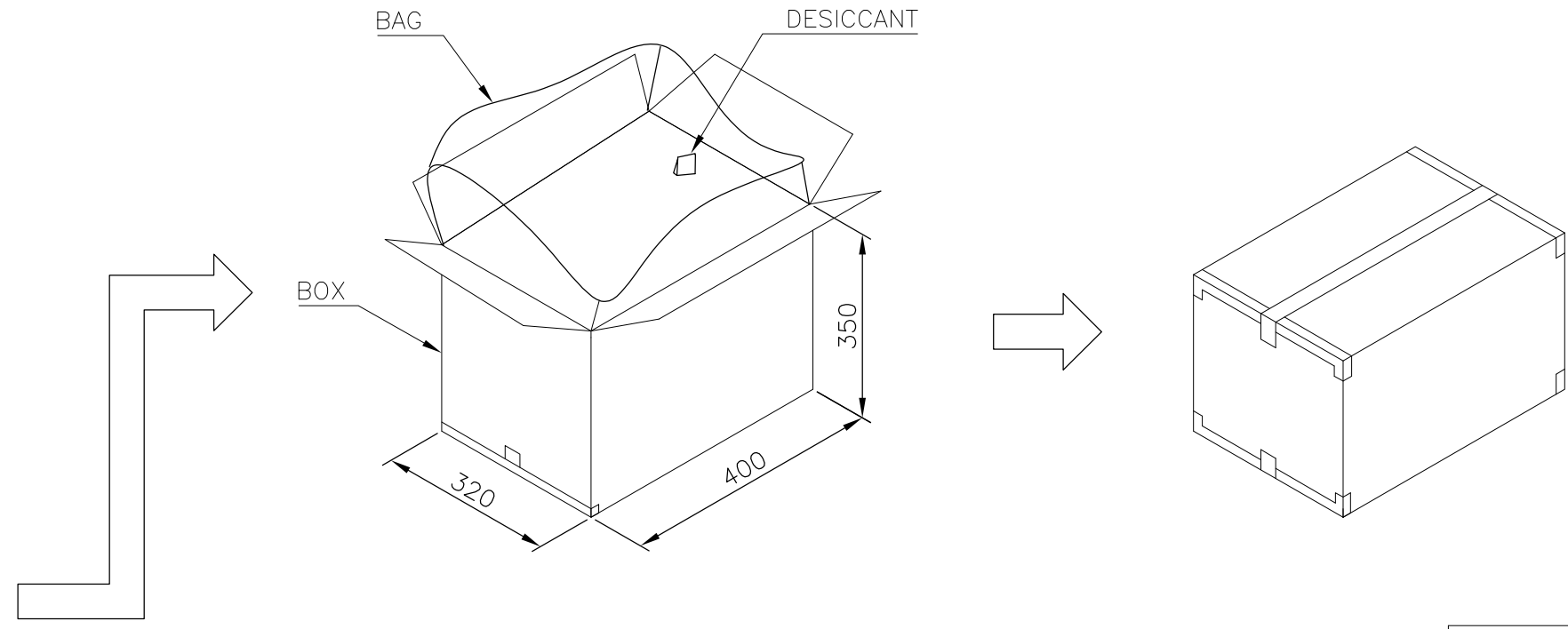
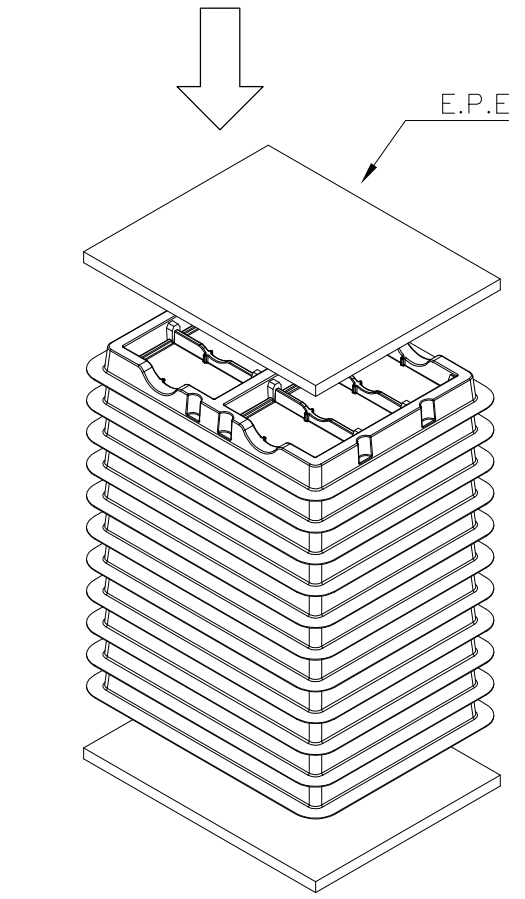
THIS DRAWING IS UNPUBLISHED. RELEASED FOR PUBLICATION
 © COPYRIGHT - By - ALL RIGHTS RESERVED.

| LOC | DIST | REVISIONS | | | | | |
|-----|------|-----------|-----|-------------|------|-----|------|
| | | P | LTR | DESCRIPTION | DATE | DWN | APVD |
| - | - | - | - | SEE SHEET 1 | - | - | - |



NOTES :
 PACKING MATERIAL MET TE SPEC TEC-138-702.
 * CADMIUM AND CADMIUM COMPOUNDS CONTENT:
 5 PPM UNDER (PLASTIC, RUBBER, INK, PIGMENT, PAINT)
 * LEAD, CADMIUM, CHROM VI AND MERCURY IN PACKAGING
 MATERIALS CONTENT: 100 PPM (COMBINED) UNDER.

- MATERIAL :
 TRAY: PVC, COLOR: TRANSPARENT.
 BOX: CORRUGATED FIBER
 TRANSPARENT BAG: PE, SIZE: 600mm*450mm*0.06mm
- EACH BAG SHALL BE INCLUDED:
 * DESICCANT



| | | | | |
|--------------|------------|-----------|-----------|----------|
| X.X KG | X.X KG | 54 | 10 | 540 |
| GROSS WEIGHT | NET WEIGHT | PCS/ TRAY | TRAY/ BOX | PCS/ BOX |

| | | | | | | | | | | | | | | | | |
|---|--------|---------------------------------|----------------------------|-------------------------|--------|-------|--------|-------|-----|-------|-----|--------|------|--------------|--|---|
| THIS DRAWING IS A CONTROLLED DOCUMENT. | | DWN SIMON WU 30DEC2010 | STE TE Connectivity | | | | | | | | | | | | | |
| DIMENSIONS: mm | | CHK BILL WONG 30DEC2010 | | | | | | | | | | | | | | |
| TOLERANCES UNLESS OTHERWISE SPECIFIED: | | APVD COREL WANG 30DEC2010 | NAME | | | | | | | | | | | | | |
| <table border="0"> <tr><td>0 PLC</td><td>± -</td></tr> <tr><td>1 PLC</td><td>± 0.30</td></tr> <tr><td>2 PLC</td><td>± 0.15</td></tr> <tr><td>3 PLC</td><td>± -</td></tr> <tr><td>4 PLC</td><td>± -</td></tr> <tr><td>ANGLES</td><td>± 1°</td></tr> </table> | | 0 PLC | ± - | 1 PLC | ± 0.30 | 2 PLC | ± 0.15 | 3 PLC | ± - | 4 PLC | ± - | ANGLES | ± 1° | PRODUCT SPEC | | SOCKET ASSEMBLY VLP DDR-III, T/H, 240P |
| 0 PLC | ± - | | | | | | | | | | | | | | | |
| 1 PLC | ± 0.30 | | | | | | | | | | | | | | | |
| 2 PLC | ± 0.15 | | | | | | | | | | | | | | | |
| 3 PLC | ± - | | | | | | | | | | | | | | | |
| 4 PLC | ± - | | | | | | | | | | | | | | | |
| ANGLES | ± 1° | | | | | | | | | | | | | | | |
| MATERIAL SEE NOTE | | APPLICATION SPEC | | | | | | | | | | | | | | |
| FINISH SEE NOTE | | SIZE A3 | CAGE CODE 00779 | DRAWING NO C-1932680 | | | | | | | | | | | | |
| | | WEIGHT - | RESTRICTED TO - | | | | | | | | | | | | | |
| | | CUSTOMER DRAWING | | SCALE N/A | | | | | | | | | | | | |
| | | SHEET 6 OF 6 | | REV B7 | | | | | | | | | | | | |

Компания «Океан Электроники» предлагает заключение долгосрочных отношений при поставках импортных электронных компонентов на взаимовыгодных условиях!

Наши преимущества:

- Поставка оригинальных импортных электронных компонентов напрямую с производств Америки, Европы и Азии, а так же с крупнейших складов мира;
- Широкая линейка поставок активных и пассивных импортных электронных компонентов (более 30 млн. наименований);
- Поставка сложных, дефицитных, либо снятых с производства позиций;
- Оперативные сроки поставки под заказ (от 5 рабочих дней);
- Экспресс доставка в любую точку России;
- Помощь Конструкторского Отдела и консультации квалифицированных инженеров;
- Техническая поддержка проекта, помощь в подборе аналогов, поставка прототипов;
- Поставка электронных компонентов под контролем ВП;
- Система менеджмента качества сертифицирована по Международному стандарту ISO 9001;
- При необходимости вся продукция военного и аэрокосмического назначения проходит испытания и сертификацию в лаборатории (по согласованию с заказчиком);
- Поставка специализированных компонентов военного и аэрокосмического уровня качества (Xilinx, Altera, Analog Devices, Intersil, Interpoint, Microsemi, Actel, Aeroflex, Peregrine, VPT, Syfer, Eurofarad, Texas Instruments, MS Kennedy, Miteq, Cobham, E2V, MA-COM, Hittite, Mini-Circuits, General Dynamics и др.);

Компания «Океан Электроники» является официальным дистрибьютором и эксклюзивным представителем в России одного из крупнейших производителей разъемов военного и аэрокосмического назначения «JONHON», а так же официальным дистрибьютором и эксклюзивным представителем в России производителя высокотехнологичных и надежных решений для передачи СВЧ сигналов «FORSTAR».



JONHON

«JONHON» (основан в 1970 г.)

Разъемы специального, военного и аэрокосмического назначения:

(Применяются в военной, авиационной, аэрокосмической, морской, железнодорожной, горно- и нефтедобывающей отраслях промышленности)

«FORSTAR» (основан в 1998 г.)

ВЧ соединители, коаксиальные кабели, кабельные сборки и микроволновые компоненты:

(Применяются в телекоммуникациях гражданского и специального назначения, в средствах связи, РЛС, а так же военной, авиационной и аэрокосмической отраслях промышленности).



Телефон: 8 (812) 309-75-97 (многоканальный)

Факс: 8 (812) 320-03-32

Электронная почта: ocean@oceanchips.ru

Web: <http://oceanchips.ru/>

Адрес: 198099, г. Санкт-Петербург, ул. Калинина, д. 2, корп. 4, лит. А