

PLEASE CHECK WWW.MOLEX.COM FOR LATEST PART INFORMATION

Part Number: [0780658101](#)

Status: **Active**

Description: 1.00mm (.039") Pitch DDR2 DIMM Socket, Very Low Profile, Vertical, Press-fit, 1.8V Center Keys, 3.30mm (.130") Tail Length, Black Latches, 240 Circuits, 0.76µm (30µm) Gold(Au) Plating, Solder-tail: Tin/Lead (Pb/Sn) over Nickel Underplate version

Documents:

[3D Model](#)

[Product Specification PS-78065-001 \(PDF\)](#)

[Drawing \(PDF\)](#)

[RoHS Certificate of Compliance \(PDF\)](#)

Agency Certification

CSA LR19980
UL E29179

General

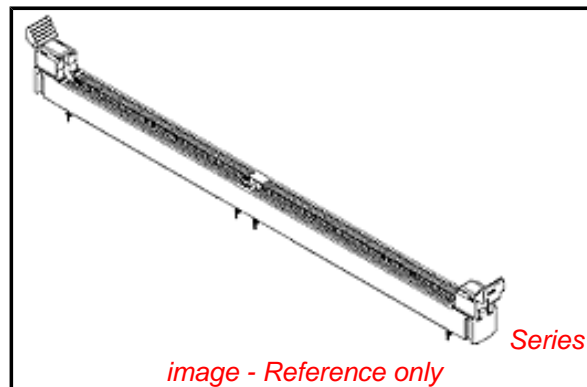
Product Family Memory Module Sockets
Series [78065](#)
Comments Latches in Black Color
Component Type Socket
JEDEC Outline MO-237
Product Name DDR2 DIMM

Physical

Circuits (Loaded) 240
Circuits (maximum) 240
Color - Resin Black
Durability (mating cycles max) 25
Entry Angle Vertical
Flammability 94V-0
Function Key None
Keying to Mating Part Yes
Material - Metal Phosphor Bronze
Material - Plating Mating Gold
Material - Plating Termination Tin-Lead
Material - Resin High Temperature Thermoplastic
PC Tail Length (in) 0.130 In
PC Tail Length (mm) 3.30 mm
PCB Locator No
PCB Retention Yes
PCB Thickness Recommended (in) 0.142 In
PCB Thickness Recommended (mm) 3.60 mm
Packaging Type Tray
Pitch - Mating Interface (in) 0.039 In
Pitch - Mating Interface (mm) 1.00 mm
Pitch - Term. Interface (in) 0.039 In, 0.197 In
Pitch - Term. Interface (mm) 1.00 mm, 5.00 mm
Plating min: Mating (µin) 30.4
Plating min: Mating (µm) 0.76
Plating min: Termination (µin) 15.2
Plating min: Termination (µm) 0.38
Temperature Range - Operating -55°C to +85°C
Termination Interface: Style Through Hole - Compliant Pin

Electrical

Current - Maximum per Contact 0.5A
Voltage - Maximum 30V AC (RMS)/DC



EU RoHS

RoHS Compliant by Exemption

REACH SVHC

Not Reviewed

Halogen-Free

Status

Not Halogen-Free

China RoHS



Pb

Need more information on product environmental compliance?

Email productcompliance@molex.com
For a multiple part number RoHS Certificate of Compliance, [click here](#)

Please visit the [Contact Us](#) section for any non-product compliance questions.

Search Parts in this Series

[78065Series](#)

Mates With

JEDEC MO-237 modules

Voltage Key

Center

Solder Process Data

Replacement RoHS Compliant Part Number

0780658001

Material Info

Reference - Drawing Numbers

Product Specification

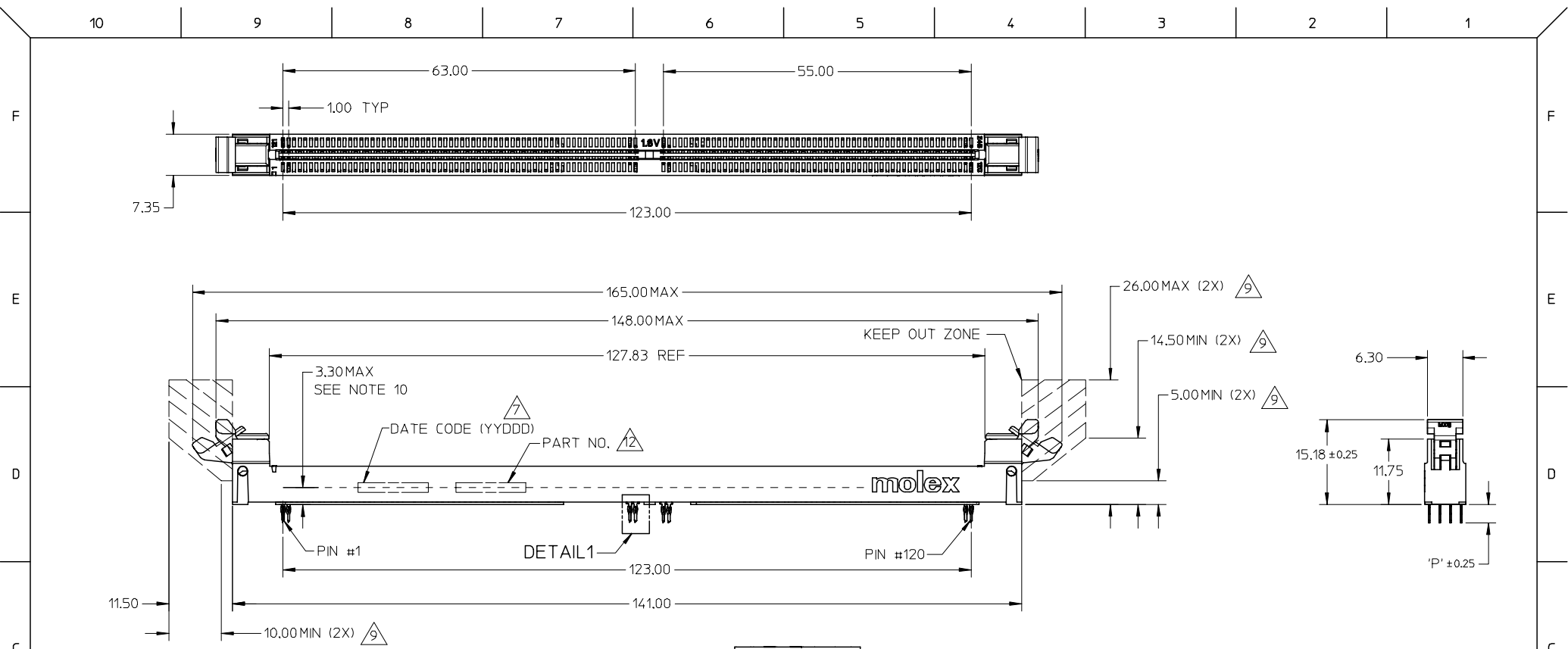
PS-78065-001, RPS-78065-002

Sales Drawing

SD-78065-001

This document was generated on 03/17/2010

PLEASE CHECK WWW.MOLEX.COM FOR LATEST PART INFORMATION

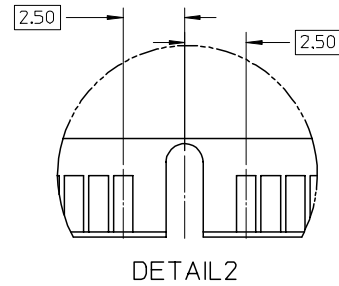
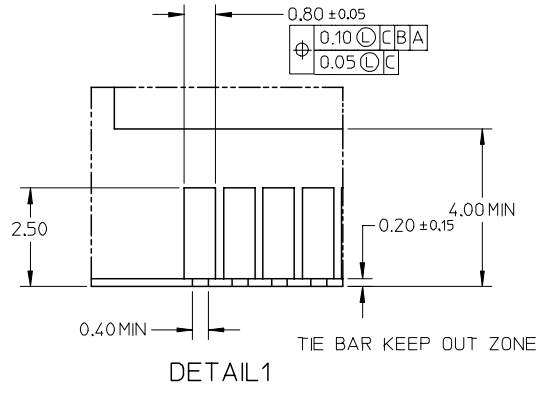
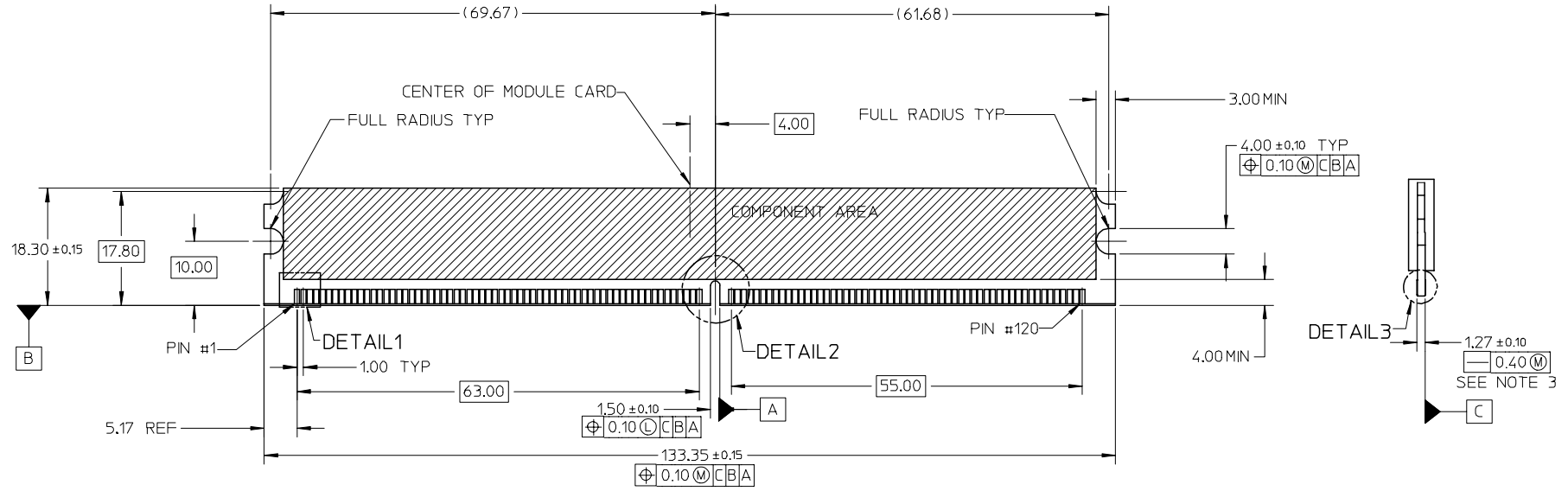


- NOTES:
- MATERIALS
HOUSING - HIGH TEMP NYLON GLASS FILLED, UL 94V-0, COLOR - BLACK
EJECTOR - HIGH TEMP NYLON 46, COLOR: BLACK
TERMINAL - PHOSPHOR BRONZE
 - PLATING - SEE TABLE IN SHEET 4.
 - CARD SLOT ACCEPTS 1.27±0.10MM MODULE THICKNESS.
 - RECOMMENDED MODULE LAYOUT SHALL BE AS PER JEDEC MO-237.
 - REFER TO PRODUCT SPEC. PS-78065-100 FOR PERFORMANCE SPECIFICATIONS.
 - PRODUCT SHALL BE PACKED IN TRAY.
 - PRODUCT SHALL HAVE DATE CODE STAMPED ON SIDE OF HOUSING.
 - KEEP OUT AREA IS THE AREA WHERE THE CONNECTOR IS MOUNTED ONTO THE PCB WHICH DOES NOT INCLUDE THE LATCH.
 - KEEP OUT ZONE AS PER JEDEC S0-001.
 - DIMM MODULE SEATING PLANE FROM TOP OF PCB.
 - CONTACT MOLEX FOR AVAILABILITY OF PRODUCT OPTIONS.
 - PART NUMBER SHALL BE MARKED LEGIBLY AS 78065-****.

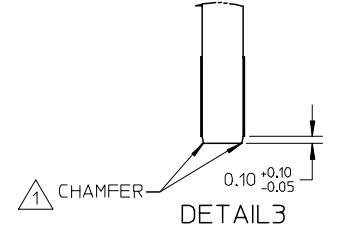
UPDATE M.C DWG EC NO: S2008-0319 DRWN:CMTEO CHKD:CCTEH APPR:SHLENI	2007/10/18 2007/10/19 2007/10/22	QUALITY SYMBOLS ▽=0 ▽C=0	GENERAL TOLERANCES (UNLESS SPECIFIED)		DIMENSION STYLE MM ONLY	SCALE NTS	DESIGN UNITS METRIC	THIRD ANGLE PROJECTION	
			4 PLACES ± --- ± ---	3 PLACES ± --- ± ---	2 PLACES ± 0.20 ± ---	1 PLACE ± --- ± ---	ANGULAR ± 5 °	DRAWN BY VMANICKAM	DATE 2006/04/11
A1	REV	DESCRIPTION	DRAFT WHERE APPLICABLE MUST REMAIN WITHIN DIMENSIONS		APPROVED BY SRRAMESH	DATE 2006/06/22	MOLEX INCORPORATED		SHEET NO. 1 OF 4
			SEE TABLE		DOCUMENT NO. SD-78065-001				

10 9 8 7 6 5 4 3 2 1

RECOMMENDED MODULE LAYOUT



KEY LOCATION	VOLTAGE
CENTER	1.8V



NOTES:
 ⚠ MODULE CARD USED FOR TESTS ARE WITH 0.10MM CHAMFER.

UPDATE M.C DWG	2007/10/18
EC NO: S2008-0319	2007/10/19
DRWN:CMTEO	2007/10/19
CHKD:CCTEH	2007/10/22
APPR:SHLENI	
REV	DESCRIPTION
A1	

QUALITY SYMBOLS	▽=0
	∇=0

GENERAL TOLERANCES (UNLESS SPECIFIED)	
mm	INCH
4 PLACES ± ---	± ---
3 PLACES ± ---	± ---
2 PLACES ± 0.20	± ---
1 PLACE ± ---	± ---
ANGULAR ± 5 °	
DRAFT WHERE APPLICABLE MUST REMAIN WITHIN DIMENSIONS	

DIMENSION STYLE	
MM ONLY	
DRAWN BY	DATE
VMANICKAM	2006/04/11
CHECKED BY	DATE
SHLENI	2006/06/22
APPROVED BY	DATE
SRRAMESH	2006/06/22
MATERIAL NO.	
SEE TABLE	
SIZE	A3

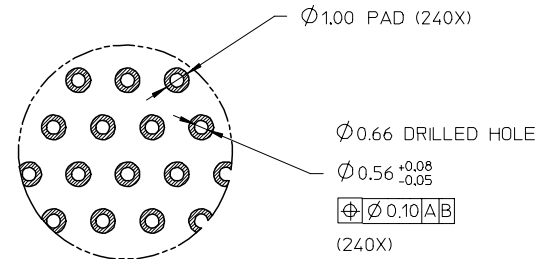
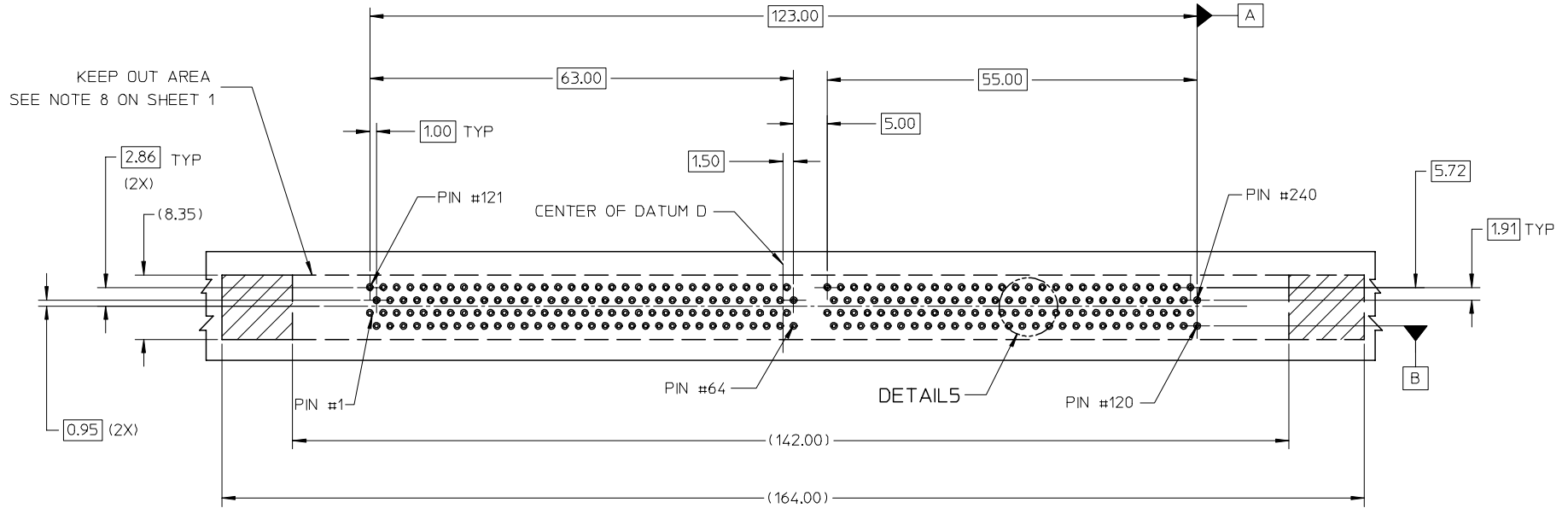
SCALE	NTS	DESIGN UNITS	METRIC	THIRD ANGLE PROJECTION
TITLE		VLP DDR2 DIMM, 1MM PITCH 240 CKTS, VERT. PRESSFIT		
MOLEX INCORPORATED		DOCUMENT NO. SD-78065-001		
SHEET NO. 2 OF 4				

9 8 7 6 5 4 3 2 1

10 9 8 7 6 5 4 3 2 1

F
E
D
C
B
A

(SEE RECOMMENDED THICKNESS IN TABLE)
RECOMMEND PCB LAYOUT
CONNECTOR SIDE



DETAIL5

UPDATE M.C DWG EC NO: S2008-0319 DRWN:CMTEO 2007/10/18 CHKD:CCTEH 2007/10/19 APPR:SHLENI 2007/10/22	QUALITY SYMBOLS ▽=0 ▽C=0	GENERAL TOLERANCES (UNLESS SPECIFIED)		DIMENSION STYLE MM ONLY		SCALE NTS	DESIGN UNITS METRIC	THIRD ANGLE PROJECTION	
		4 PLACES ± --- ± --- 3 PLACES ± --- ± --- 2 PLACES ± 0.20 ± --- 1 PLACE ± --- ± ---	mm INCH	DRAWN BY VMANICKAM	DATE 2006/04/11	TITLE VLP DDR2 DIMM, 1MM PITCH 240 CKTS, VERT. PRESSFIT			
		ANGULAR ± 5 °		CHECKED BY SHLENI	DATE 2006/06/22	MOLEX INCORPORATED			
		DRAFT WHERE APPLICABLE MUST REMAIN WITHIN DIMENSIONS		APPROVED BY SRRAMESH	DATE 2006/06/22	MATERIAL NO. SEE TABLE	DOCUMENT NO. SD-78065-001	SHEET NO. 3 OF 4	

9 8 7 6 5 4 3 2 1

10 9 8 7 6 5 4 3 2 1

TIN OPTION

PART NO.	VOLTAGE KEY POS.	VOLTAGE	DIM 'P'	RECOMMENDED PCB THICKNESS	CONTACT AREA PLATING OPTION	SOLDERTAIL PLATING OPTION	LATCH COLOR
78065-8001	CENTER	1.8V	3.30	3.60	0.76μM/30μM MIN GOLD OVER 1.27μM/50μM MIN NICKEL UNDERPLATE	0.38-1.52μM/15-60μM TIN OVER 1.27μM/50μM MIN NICKEL UNDERPLATE	BLACK
78065-8002			4.20	4.57			

TIN/LEAD OPTION

PART NO.	VOLTAGE KEY POS.	VOLTAGE	DIM 'P'	RECOMMENDED PCB THICKNESS	CONTACT AREA PLATING OPTION	SOLDERTAIL PLATING OPTION	LATCH COLOR
78065-8101	CENTER	1.8V	3.30	3.60	0.76μM/30μM MIN GOLD OVER 1.27μM/50μM MIN NICKEL UNDERPLATE	0.38-1.52μM/15-60μM TIN/LEAD OVER 1.27μM/50μM MIN NICKEL UNDERPLATE	BLACK
78065-8102			4.20	4.57			

UPDATE M.C DWG EC NO: S2008-0319 DRWN:CMTEO CHKD:CCTEH APPR:SHLENI	2007/10/18 2007/10/19 2007/10/22	DESCRIPTION REV	QUALITY SYMBOLS ▽=0 ▽=0	GENERAL TOLERANCES (UNLESS SPECIFIED) <table border="1"> <thead> <tr> <th></th> <th>mm</th> <th>INCH</th> </tr> </thead> <tbody> <tr> <td>4 PLACES</td> <td>± ---</td> <td>± ---</td> </tr> <tr> <td>3 PLACES</td> <td>± ---</td> <td>± ---</td> </tr> <tr> <td>2 PLACES</td> <td>± 0.20</td> <td>± ---</td> </tr> <tr> <td>1 PLACE</td> <td>± ---</td> <td>± ---</td> </tr> </tbody> </table> ANGULAR ± 5 °		mm	INCH	4 PLACES	± ---	± ---	3 PLACES	± ---	± ---	2 PLACES	± 0.20	± ---	1 PLACE	± ---	± ---	DIMENSION STYLE MM ONLY DRAWN BY: VMANICKAM DATE: 2006/04/11 CHECKED BY: SHLENI DATE: 2006/06/22 APPROVED BY: SRRAMESH DATE: 2006/06/22	SCALE: NTS DESIGN UNITS: METRIC THIRD ANGLE PROJECTION	TITLE: VLP DDR2 DIMM, 1MM PITCH 240 CKTS, VERT. PRESSFIT
		mm	INCH																			
	4 PLACES	± ---	± ---																			
	3 PLACES	± ---	± ---																			
2 PLACES	± 0.20	± ---																				
1 PLACE	± ---	± ---																				
A1			DRAFT WHERE APPLICABLE MUST REMAIN WITHIN DIMENSIONS	SEE TABLE	MATERIAL NO. MOLEX INCORPORATED	DOCUMENT NO. SD-78065-001	SHEET NO. 4 OF 4															
THIS DRAWING CONTAINS INFORMATION THAT IS PROPRIETARY TO MOLEX INCORPORATED AND SHOULD NOT BE USED WITHOUT WRITTEN PERMISSION																						
SIZE A3																						

9 8 7 6 5 4 3 2 1

Компания «Океан Электроники» предлагает заключение долгосрочных отношений при поставках импортных электронных компонентов на взаимовыгодных условиях!

Наши преимущества:

- Поставка оригинальных импортных электронных компонентов напрямую с производств Америки, Европы и Азии, а так же с крупнейших складов мира;
- Широкая линейка поставок активных и пассивных импортных электронных компонентов (более 30 млн. наименований);
- Поставка сложных, дефицитных, либо снятых с производства позиций;
- Оперативные сроки поставки под заказ (от 5 рабочих дней);
- Экспресс доставка в любую точку России;
- Помощь Конструкторского Отдела и консультации квалифицированных инженеров;
- Техническая поддержка проекта, помощь в подборе аналогов, поставка прототипов;
- Поставка электронных компонентов под контролем ВП;
- Система менеджмента качества сертифицирована по Международному стандарту ISO 9001;
- При необходимости вся продукция военного и аэрокосмического назначения проходит испытания и сертификацию в лаборатории (по согласованию с заказчиком);
- Поставка специализированных компонентов военного и аэрокосмического уровня качества (Xilinx, Altera, Analog Devices, Intersil, Interpoint, Microsemi, Actel, Aeroflex, Peregrine, VPT, Syfer, Eurofarad, Texas Instruments, MS Kennedy, Miteq, Cobham, E2V, MA-COM, Hittite, Mini-Circuits, General Dynamics и др.);

Компания «Океан Электроники» является официальным дистрибьютором и эксклюзивным представителем в России одного из крупнейших производителей разъемов военного и аэрокосмического назначения «JONHON», а так же официальным дистрибьютором и эксклюзивным представителем в России производителя высокотехнологичных и надежных решений для передачи СВЧ сигналов «FORSTAR».



JONHON

«JONHON» (основан в 1970 г.)

Разъемы специального, военного и аэрокосмического назначения:

(Применяются в военной, авиационной, аэрокосмической, морской, железнодорожной, горно- и нефтедобывающей отраслях промышленности)

«FORSTAR» (основан в 1998 г.)

ВЧ соединители, коаксиальные кабели, кабельные сборки и микроволновые компоненты:

(Применяются в телекоммуникациях гражданского и специального назначения, в средствах связи, РЛС, а так же военной, авиационной и аэрокосмической отраслях промышленности).



Телефон: 8 (812) 309-75-97 (многоканальный)

Факс: 8 (812) 320-03-32

Электронная почта: ocean@oceanchips.ru

Web: <http://oceanchips.ru/>

Адрес: 198099, г. Санкт-Петербург, ул. Калинина, д. 2, корп. 4, лит. А