



FCIconnect.com

Copyright FCI.



1

2

List of "SFW\_\_R-1/2STGE1LF" customer document

DOCUMENT NO.	LIST
SC-SFW14	SPEC.
JSA96365	CAT.NO.TABLE FOR 1mm SPACING SMT CONNECTOR (SFW__R-1/2STG_LF)
JSA96366	1mm SPACING SMT CONNECTOR (SFW__R-1STG_LF)
JSA96367	1mm SPACING SMT CONNECTOR (SFW__R-2STG_LF)
JSA96368	CAT.NO.TABLE FOR PLASTIC TAPE PACKAGED 1mm SPACING SMT CONNECTOR (SFW__R-1/2STGE1LF)
JSA96369	PLASTIC TAPE PACKAGED 1mm SPACING SMT CONNECTOR (SFW__R-1STGE1LF)
JSA96370	PLASTIC TAPE PACKAGED 1mm SPACING SMT CONNECTOR (SFW__R-2STGE1LF)
JSA96371	RECOMMENDED CABLE (FPC) (SFW__R-1/2STG_)
GS-20-129	HANDLING PROCEDURES

mat'l. code -				surface ISO 1302 <input checked="" type="checkbox"/> 58		tolerance ISO 406 ISO 1101		projection		product family 58RF		CODE JP			
ltr	ecn no	dr	date	tolerances unless otherwise specified				mm		title					
A	J05-0243	H.T	'05/4/20	angles		linear				1mm SPACING SMT CONNECTOR DOCUMENT LIST					
B	J06-0398	H.T	9/26/'06					scale $\times$		(Cat. No. : SFW__R-1/2STGE1LF)					
C	J09-0358	M.Y	2009-10-5							dwg no		sheet 1 of 1		size	
D	J09-0380	M.Y	2009-10-27	dr		M.YAMASHITA 2009-10-27				JSA 96364		A4			
				enrg		M.YAMASHITA 2009-10-27									
				chr		S. Withu 2009-10-27									
				appd		S. Dadawan 2009-10-27									
sheet index		revision sheet		D 1										Rev. D	

form: A4

1

2

CAT. NO. & DIMENSIONS

NO. OF CONTACTS (n)	CAT. NO.	DIMENSIONS (NOTE2)			
		A ± 0.2	B ± 0.2	C ± 0.2	D ± 0.1
4	SFW4R-1/2STG__LF	9.8	8.6	3.0	5.3
5	SFW5R-1/2STG__LF	10.8	9.6	4.0	6.3
6	SFW6R-1/2STG__LF	11.8	10.6	5.0	7.3
7	SFW7R-1/2STG__LF	12.8	11.6	6.0	8.3
8	SFW8R-1/2STG__LF	13.8	12.6	7.0	9.3
9	SFW9R-1/2STG__LF	14.8	13.6	8.0	10.3
10	SFW10R-1/2STG__LF	15.8	14.6	9.0	11.3
11	SFW11R-1/2STG__LF	16.8	15.6	10.0	12.3
12	SFW12R-1/2STG__LF	17.8	16.6	11.0	13.3
13	SFW13R-1/2STG__LF	18.8	17.6	12.0	14.3
14	SFW14R-1/2STG__LF	19.8	18.6	13.0	15.3
15	SFW15R-1/2STG__LF	20.8	19.6	14.0	16.3
16	SFW16R-1/2STG__LF	21.8	20.6	15.0	17.3
17	SFW17R-1/2STG__LF	22.8	21.6	16.0	18.3
18	SFW18R-1/2STG__LF	23.8	22.6	17.0	19.3
19	SFW19R-1/2STG__LF	24.8	23.6	18.0	20.3
20	SFW20R-1/2STG__LF	25.8	24.6	19.0	21.3
21	SFW21R-1/2STG__LF	26.8	25.6	20.0	22.3
22	SFW22R-1/2STG__LF	27.8	26.6	21.0	23.3
23	SFW23R-1/2STG__LF	28.8	27.6	22.0	24.3
24	SFW24R-1/2STG__LF	29.8	28.6	23.0	25.3
25	SFW25R-1/2STG__LF	30.8	29.6	24.0	26.3
26	SFW26R-1/2STG__LF	31.8	30.6	25.0	27.3
27	SFW27R-1/2STG__LF	32.8	31.6	26.0	28.3
28	SFW28R-1/2STG__LF	33.8	32.6	27.0	29.3
29	SFW29R-1/2STG__LF	34.8	33.6	28.0	30.3
30	SFW30R-1/2STG__LF	35.8	34.6	29.0	31.3

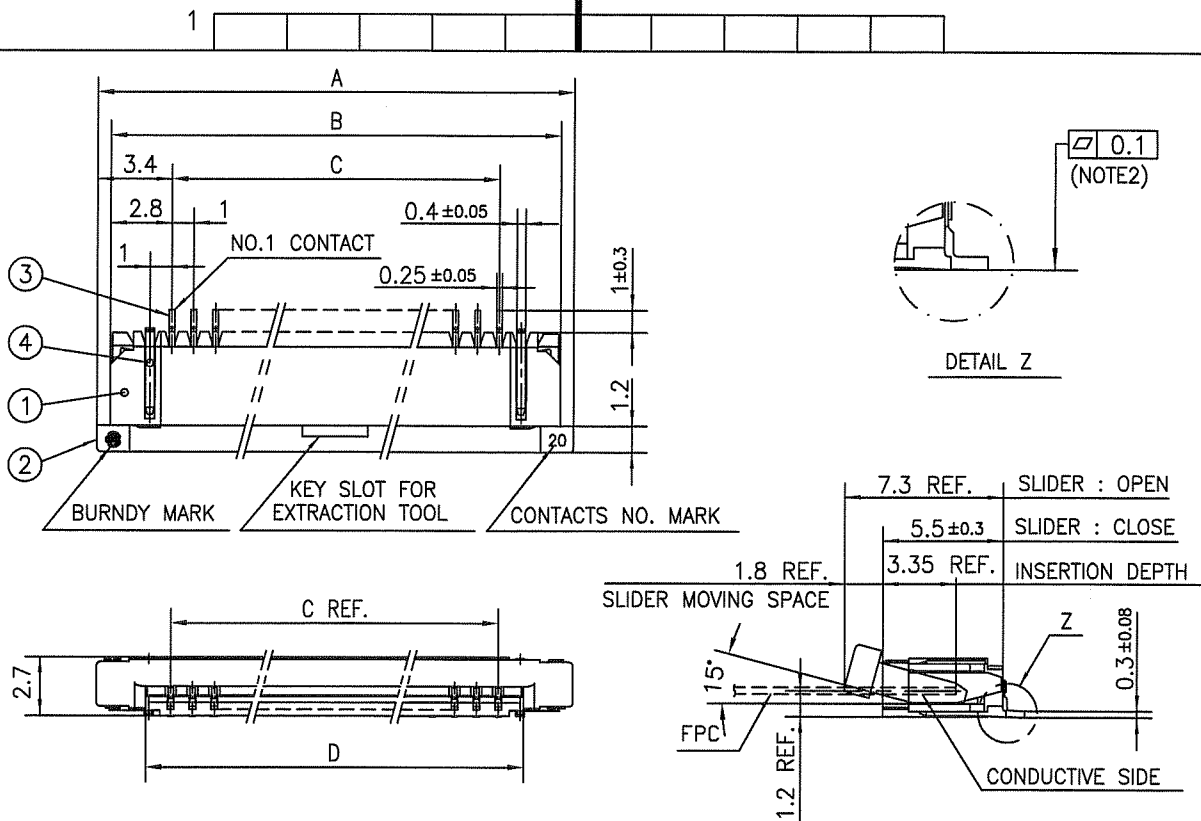
CAT. NO. SFW (n) R -1 ST G \_\_\_ LF  
 SERIES NAME \_\_\_\_\_  
 NO. OF CONTACTS \_\_\_\_\_  
 RIGHT ANGLE TYPE \_\_\_\_\_  
 FOR FPC/FFC, CONTACT DIRECTION \_\_\_\_\_  
 1. LOWER CONTACT TYPE  
 2. UPPER CONTACT TYPE  
 FOR AUTOMATIC MOUNTING (SMT) \_\_\_\_\_  
 GOLD PLATING \_\_\_\_\_  
 PACKAGE STYLE \_\_\_\_\_  
 LEAD FREE \_\_\_\_\_

NOTES

- THIS PRODUCT IS THE CONNECTOR USED FOR FPC AND COPES WITH AUTOMATIC MOUNTING (SMT).
- SEE PART DRAWINGS FOR DIMENSIONS A~D.

mat'l. code			surface 58 / tolerance ISO 1302 <input checked="" type="checkbox"/> ISO 406 / ISO 1101		projection		product family 58RF		CODE JP		
ltr	ecn no	dr	date		tolerances unless otherwise specified		title		sheet 1 of 1 size		
A	J05-0243	H.T	4/20/05		angles linear		CAT NO. TABLE FOR 1mm SPACING SMT CONNECTOR (Cat. No. SFW__R-1/2STG__LF)		A4		
B	J06-0398	H.T	9/26/06		linear		mm		sheet 1 of 1 size		
C	J09-0358	M.Y	2009-10-5		dr H. YAMASHITA 2009-10-5		scale X		sheet 1 of 1 size		
					engr H. YAMASHITA 2009-10-5				sheet 1 of 1 size		
					chr S. W. HALL 2009-10-6				sheet 1 of 1 size		
					appd S. Anderson 2009-10-6				sheet 1 of 1 size		
sheet index		revision C								Rev. C	
		sheet 1									

SC-SFW14 form: A4 JSA96366 96367 96368 96371



PT. NO.	PARTS NAME	MATERIAL	Q'TY	NOTE
1	HOUSING	PPS RESIN GLASS REINFORCED (UL94V-0)	1	COLOR : BROWN
2	SLIDER		1	COLOR : BLACK
3	CONTACT	PHOSPHOR BRONZE	n	PLATING : GOLD
4	MOUNTING PLATE		2	PLATING : TIN

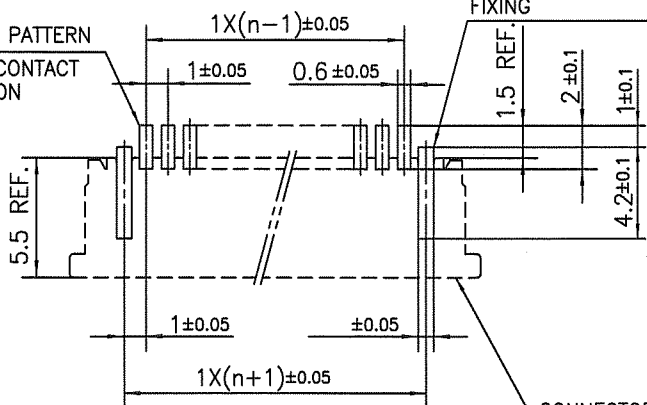
n : NO. OF CONTACTS

NOTES

1. THIS PRODUCT IS THE CONNECTOR USED FOR FPC AND COPES WITH AUTOMATIC MOUNTING (SMT).
2. FLATNESS FOR CONTACT TERMINAL HOUSING MUST BE WITHIN TOLERANCE IN Z PORTION DETAILED DRAWING.
3. THIS PRODUCT IS LOWER CONTACT TYPE CONNECTOR.
4. THIS PRODUCT MEETS EUROPEAN UNION DIRECTIVES AND OTHER COUNTRY REGULATIONS AS DESCRIBED IN GS-22-008.
5. THE HOUSING WILL WITHSTAND EXPOSURE TO 260°C PEAK TEMPERATURE FOR 10 SECONDS IN A REFLOW SOLDERING OVEN.

RECOMMENDED PC BOARD LAYOUT  
(COMPONENT SIDE)

BASIC PATTERN  
NO.1 CONTACT  
POSITION



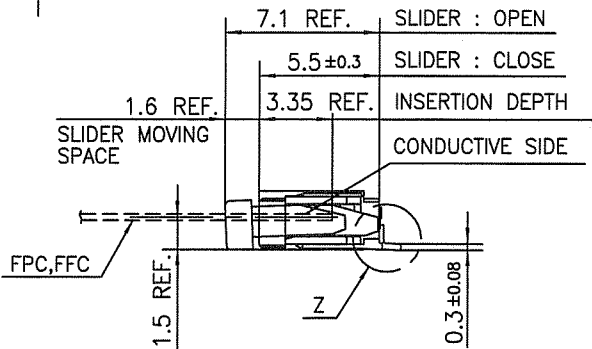
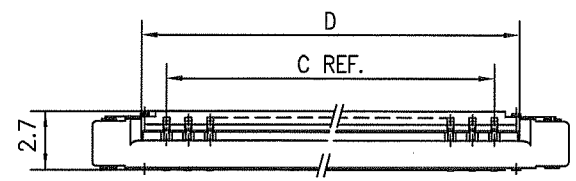
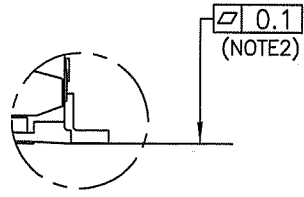
mat'l. code		surface 58 / tolerance ISO 1302 / ISO 406 / ISO 1101		projection		product family 58RF		CODE JP	
ltr ecn no dr date		tolerances unless otherwise specified		mm		title			
A J05-0243 H.T 4/20/05		angles linear ±0.2		mm		1mm SPACING SMT CONNECTOR (Cat. No. SFW__R-1STG__LF)			
B J05-0736 H.T 10/28/05				scale X		dwg no		sheet 1 of 1 size	
C J06-0398 H.T 9/26/06				FCI		JSA 96366		A4	
D J09-0358 M.Y 2009-10-5		dr M.YAMASHITA 2009-10-5				type Product Customer Drawing			
		enr M.YAMASHITA 2009-10-5							
		chr S. W. 2009-10-6							
		appd S. W. 2009-10-6							
sheet index		revision D						Rev. D	
sheet 1		1						D	

SC-SFW14 JSA96365  
form: A4



FCIconnect.com

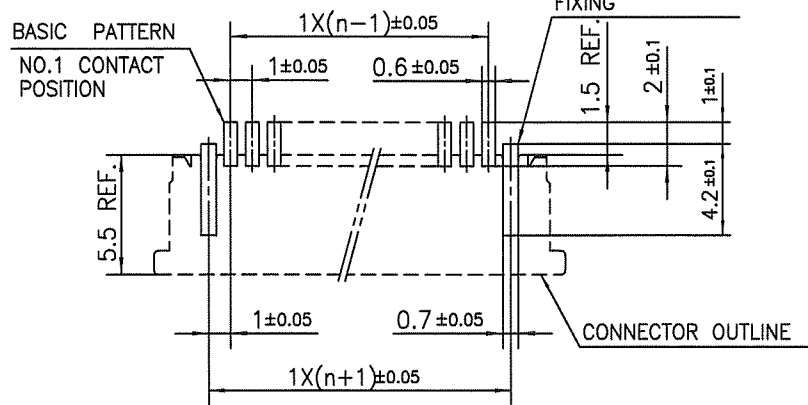
Copyright FCI.



PT. NO.	PARTS NAME	MATERIAL	Q'TY	NOTE
1	HOUSING	PPS RESIN GLASS REINFORCED (UL94V-0)	1	COLOR : BROWN
2	SLIDER		1	COLOR : BLACK
3	CONTACT	PHOSPHOR BRONZE	n	PLATING : GOLD
4	MOUNTING PLATE		2	PLATING : IN

n : NO. OF CONTACTS

RECOMMENDED PC BOARD LAYOUT (COMPONENT SIDE)



- NOTES
1. THIS PRODUCT IS THE CONNECTOR USED FOR FPC AND COPE WITH AUTOMATIC MOUNTING (SMT).
  2. FLATNESS FOR CONTACT TERMINAL HOUSING MUST BE WITHIN TOLERANCE IN Z PORTION DETAILED DRAWING.
  3. THIS PRODUCT IS UPPER CONTACT TYPE CONNECTOR.
  4. THIS PRODUCT MEETS EUROPEAN UNION DIRECTIVES AND OTHER COUNTRY REGULATIONS AS DESCRIBED IN GS-22-008.
  5. THE HOUSING WILL WITHSTAND EXPOSURE TO 260°C PEAK TEMPERATURE FOR 10 SECONDS IN A REFLOW SOLDERING OVEN.



FCIconnect.com

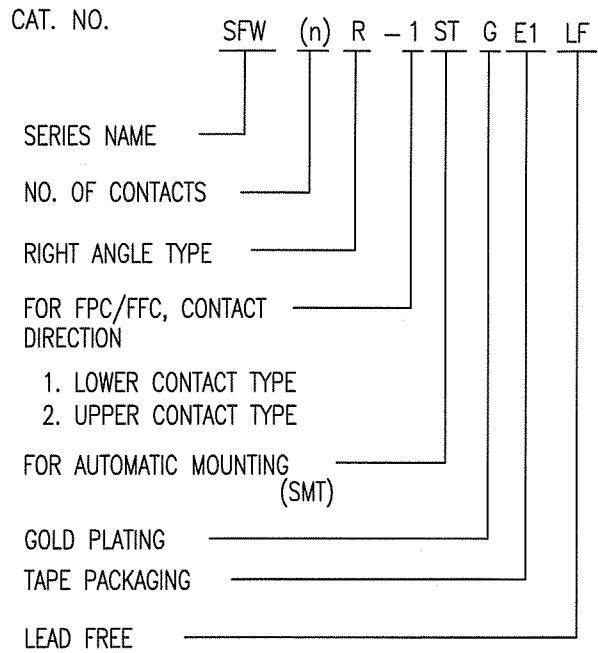
Copyright FCI.

mat'l. code		surface 58 ISO 1302		tolerance ISO 406 ISO 1101		projection		product family 58RF		CODE JP	
ltr		ecn no		dr		date		title		1mm SPACING SMT CONNECTOR (Cat. No. SFW__R-2STG__LF)	
A		J05-0243		H.T		4/20/05		mm		scale X	
B		J05-0736		H.T		10/28/05		angles		linear ±0.2	
C		J06-0398		H.T		9/26/06		linear		scale X	
D		J09-0358		M.Y		2009-10-5		dr		HYAMASHITA 2009-10-5	
								enr		HYAMASHITA 2009-10-5	
								chr		S. W. H. 2009-10-6	
								appd		P. Anderson 2009-10-6	
sheet index		revision		D		sheet 1		dwg no		sheet 1 of 1 size A4	
								JSA 96367			
								type		Product Customer Drawing	

SC-SFW14 JSA96365 form: A4

CAT. NO. & DIMENSIONS

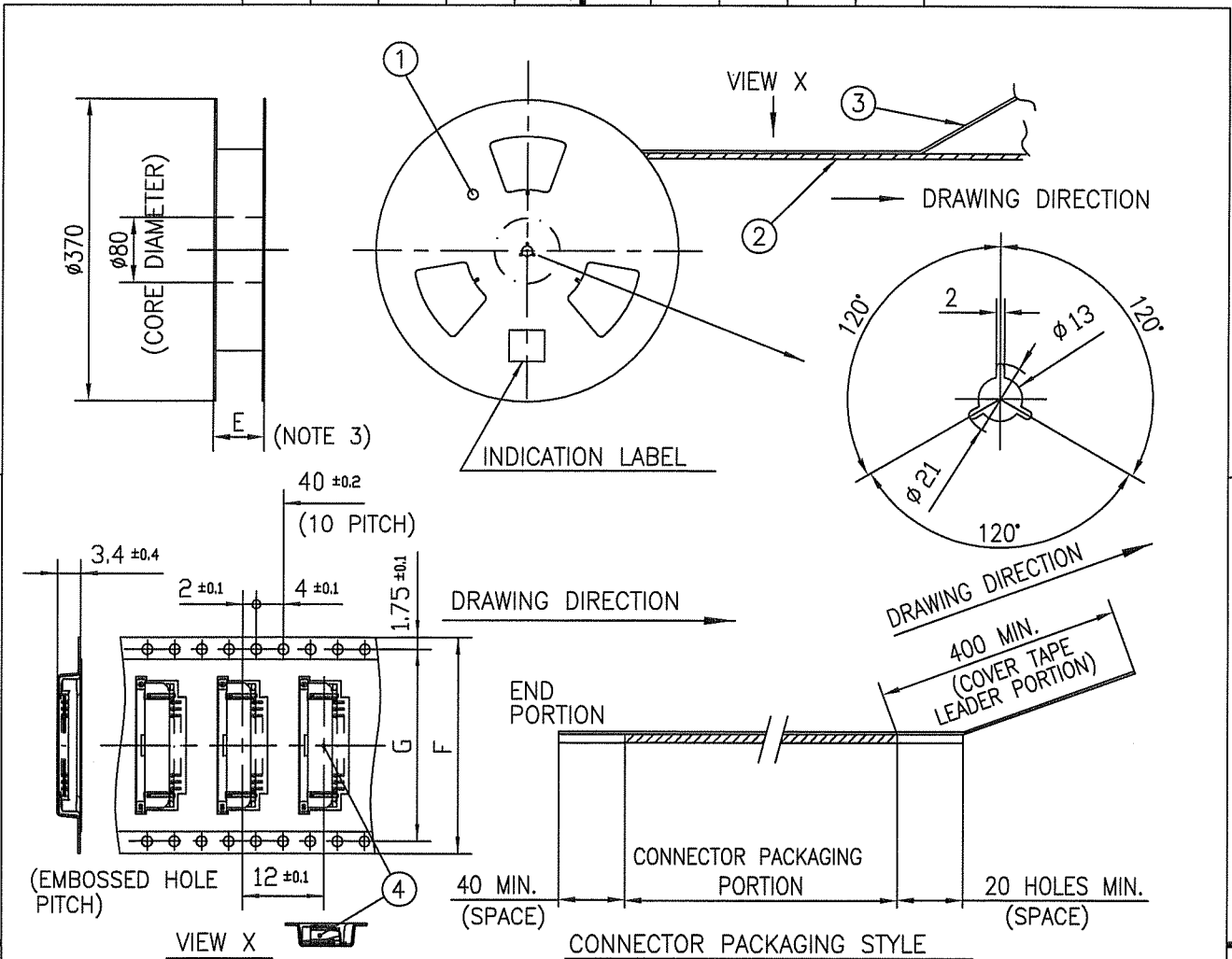
NO. OF CONTACTS (n)	CAT. NO. (NOTE2)	DIMENSIONS (NOTE3)		
		E ± 5	F ± 0.3	G ± 0.1
4	SFW4R-1/2STGE1LF	20.4	16	—
5	SFW5R-1/2STGE1LF	28.4	24	—
6	SFW6R-1/2STGE1LF	28.4	24	—
7	SFW7R-1/2STGE1LF	28.4	24	—
8	SFW8R-1/2STGE1LF	28.4	24	—
9	SFW9R-1/2STGE1LF	28.4	24	—
10	SFW10R-1/2STGE1LF	28.4	24	—
11	SFW11R-1/2STGE1LF	28.4	24	—
12	SFW12R-1/2STGE1LF	28.4	24	—
13	SFW13R-1/2STGE1LF	36.4	32	28.4
14	SFW14R-1/2STGE1LF	36.4	32	28.4
15	SFW15R-1/2STGE1LF	36.4	32	28.4
16	SFW16R-1/2STGE1LF	36.4	32	28.4
17	SFW17R-1/2STGE1LF	48.4	44	40.4
18	SFW18R-1/2STGE1LF	48.4	44	40.4
19	SFW19R-1/2STGE1LF	48.4	44	40.4
20	SFW20R-1/2STGE1LF	48.4	44	40.4
21	SFW21R-1/2STGE1LF	48.4	44	40.4
22	SFW22R-1/2STGE1LF	48.4	44	40.4
23	SFW23R-1/2STGE1LF	48.4	44	40.4
24	SFW24R-1/2STGE1LF	48.4	44	40.4
25	SFW25R-1/2STGE1LF	48.4	44	40.4
26	SFW26R-1/2STGE1LF	48.4	44	40.4
27	SFW27R-1/2STGE1LF	48.4	44	40.4
28	SFW28R-1/2STGE1LF	60.4	56	52.4
29	SFW29R-1/2STGE1LF	60.4	56	52.4
30	SFW30R-1/2STGE1LF	60.4	56	52.4



NOTES

1. THIS PRODUCT IS THE CONNECTOR USED FOR FPC AND COPEs WITH AUTOMATIC MOUNTING (SMT).
2. THIS CATALOG NO. INDICATES PLASTIC TAPE PACKAGED CONNECTOR.
3. SEE PART DRAWINGS FOR DIMENSIONS E~G.

mat'l. code		surface 58 / ISO 1302		tolerance ISO 406 / ISO 1101		projection		product family 58RF		CODE JP	
ltr	ecn no	dr	date	tolerances unless otherwise specified		mm		title			
A	J05-0243	H.T	4/20/05	angles linear		mm		CAT NO. TABLE FOR PLASTIC TAPE PACKAGED 1mm SPACING SMT CONNECTOR (Cat. No. SFW__R-1/2STGE1LF)			
B	J06-0398	H.T	9/26/06			scale		dwg no sheet 1 of 1 size			
C	J09-0358	M.Y	2009-10-5			X		JSA 96368 A4			
sheet index		revision C		dr MYAMASITA 2009-10-5		FCI		type Product Customer Drawing			
sheet 1		sheet 1		engr MYAMASITA 2009-10-5				Rev. C			
				chr B. Mithu 2009-10-6							
				appd S. Chelam 2009-10-6							



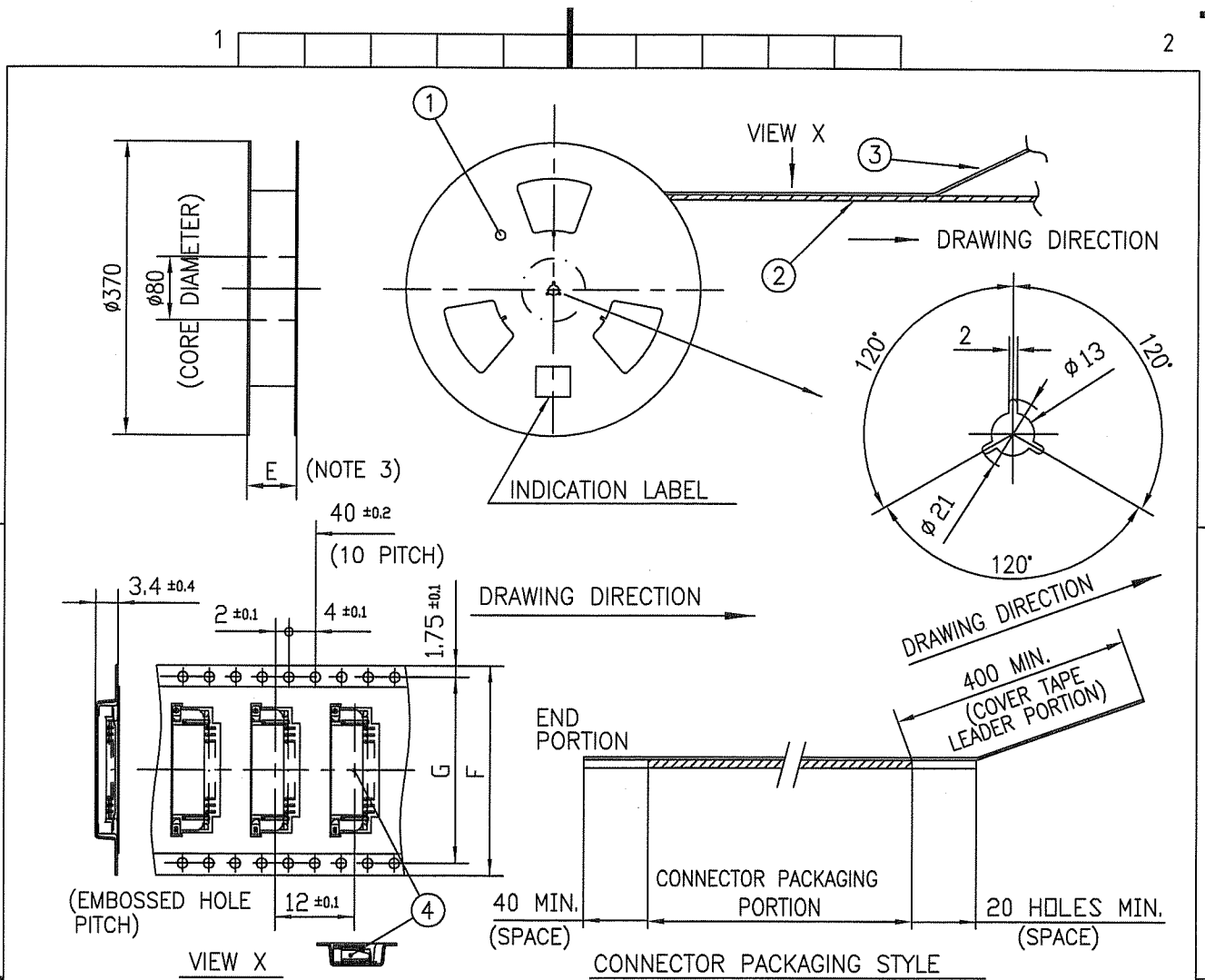
PT. NO.	PARTS NAME	CAT. NO.	MATERIAL	Q'TY	NOTE
1	REEL	—	CARDBOARD	1	COLOR:WHITE
2	PLASTIC (EMBOSS) TAPE	—	PET	—	COLOR:TRANSPARENCY
3	COVER	—	POLYESTER	—	COLOR:TRANSPARENCY
4	CONNECTOR	SFW_R-1STG_LF	SEE ATTACHED DWG.	2000	LOWER CONTACT TYPE

NOTES

1. THIS IS PLASTIC TAPE PACKAGED CONNECTOR USED FOR FPC AND COPES WITH AUTOMATIC MOUNTING (SMT).
2. SEE JIS C 0806 (PACKING OF ELECTRONIC COMPONENTS ON CONTINUOUS TAPES (SURFACE MOUNTING DEVICES)) FOR SHAPE AND DIMENSIONS OF PLASTIC (EMBOSS) TAPE AND REEL.
3. E DIMENSION IS PORTION OF THE CORE.

mat'l. code		surface ISO 1302 <input checked="" type="checkbox"/>		tolerance ISO 406 ISO 1101		projection		product family 58RF		CODE JP	
ltr ecn no dr date		tolerances unless otherwise specified		angles linear		mm		title			
A	J05-0243	H.T	4/20/05	±5		mm		PLASTIC TAPE PACKAGED 1mm SPACING SMT CONNECTOR (Cat. No. SFW__R-1STGE1LF)			
B	J06-0398	H.T	9/26/06	±5'		scale X		dwg no sheet 1 of 1 size			
C	J09-0358	M.Y	2009-10-5					JSA 96369 A4			
sheet index		revision C		dr H.YAMAMOTO 2009-10-5		FCJ		type Product Customer Drawing			
sheet 1				enr H.YAMAMOTO 2009-10-5				Rev. C			
				chr S. Withler 2009-10-6							
				appd S. Oudam 2009-10-6							

SC-SFW14 JSA96368 form: A4



PT. NO.	PARTS NAME	CAT. NO.	MATERIAL	Q'TY	NOTE
1	REEL	—	CARDBOARD	1	COLOR:WHITE
2	PLASTIC (EMBOSS) TAPE	—	PET	—	COLOR:TRANSPARENCY
3	COVER	—	POLYESTER	—	COLOR:TRANSPARENCY
4	CONNECTOR	SFW__R-2STG__LF	SEE ATTACHED DWG.	2000	UPPER CONTACT TYPE

NOTES

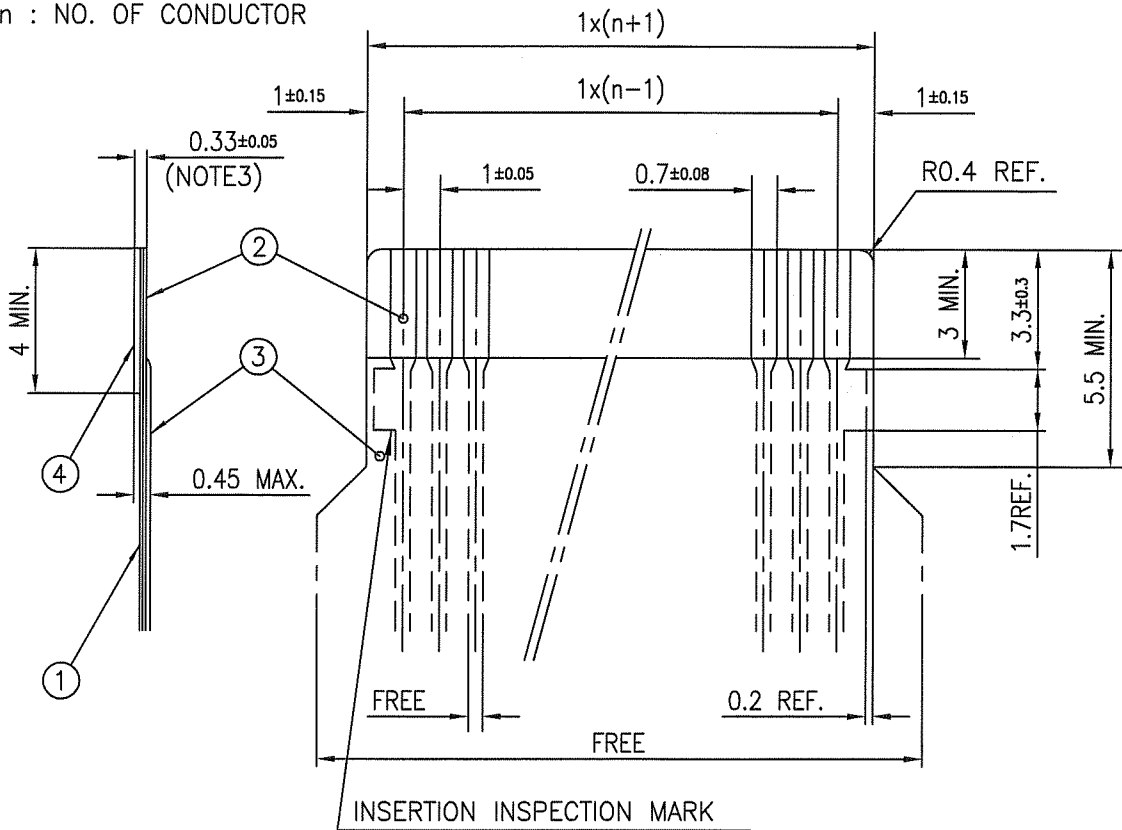
1. THIS IS PLASTIC TAPE PACKAGED CONNECTOR USED FOR FPC AND COPEES WITH AUTOMATIC MOUNTING (SMT).
2. SEE JIS C 0806 (PACKING OF ELECTRONIC COMPONENTS ON CONTINUOUS TAPES (SURFACE MOUNTING DEVICES)) FOR SHAPE AND DIMENSIONS OF PLASTIC (EMBOSS) TAPE AND REEL.
3. E DIMENSION IS PORTION OF THE CORE.

mat'l. code		surface ISO 1302	tolerance ISO 406 ISO 1101	projection	product family 58RF	CODE JP	
ltr	ecn no	dr	date	tolerances unless otherwise specified	title		
A	J05-0243	H.T	4/20/05	angles ±5	PLASTIC TAPE PACKAGED		
B	J06-0398	H.T	9/26/06	linear	1mm SPACING SMT CONNECTOR		
C	J09-0358	M.Y	2009-10-5	±5°	(Cat. No. SFW__R-2STGE1LF)		
				dr	M.YAMASHITA	2009-10-5	
				enr	M.YAMASHITA	2009-10-5	
				chr	S. W. K. L. W.	2009-10-6	
				appd	S. Chudam	2009-10-6	
sheet index		revision	C	dwg no JSA 96370			sheet 1 of 1
sheet		1		type Product Customer Drawing			size A4
							Rev. C

SC-SFW14 JSA96368 form: A4

RECOMMENDED CABLE (FPC)

n : NO. OF CONDUCTOR



PT. NO.	PARTS NAME	MATERIAL	THICKNESS (um)
1	BASE FILM	POLYIMIDE OR POLYESTER OR EQUAL	25
2	CONDUCTOR	COPPER FOIL (PLATING : Ni UNDER PLATING GOLD0.5um MIN.)	35
3	OVERLAY	POLYIMIDE OR POLYESTER OR EQUAL	—
4	SUPPORTING TAPE	POLYESTER OR POLYIMIDE OR EQUAL	188

NOTES

1. NO BURR AT EACH PORTION.
2. NO PEELING IN COMMON USE.
3. TOTAL THICKNESS LIMIT OF EACH MATERIAL (INCLUDING ADHESIVE AGENT) IS SPECIFIED.

mat'l. code		surface 58 / tolerance ISO 1302 / ISO 406 / ISO 1101		projection		product family 58RF		CODE JP		
ltr	ecn no	dr	date	tolerances unless otherwise specified		title		RECOMMENDED CABLE		
A	J05-0243	H.T	4/22/05	angles linear		mm		(Cat. No. SFW__R-1/2STG_)		
B	J06-0398	H.T	9/26/06			scale X		dwg no		
C	J09-0358	M.Y	2009-10-5			FCJ		sheet 1 of 1		
		dr	M.YAMAMOTO	2009-10-5				size A4		
		enr	M.YAMAMOTO	2009-10-5				JSA 96371		
		chr	S. Watanabe	2009-10-6				type Product Customer Drawing		
		appd	S. Watanabe	2009-10-6						
sheet index	revision sheet	C	1							Rev. C



Компания «Океан Электроники» предлагает заключение долгосрочных отношений при поставках импортных электронных компонентов на взаимовыгодных условиях!

Наши преимущества:

- Поставка оригинальных импортных электронных компонентов напрямую с производств Америки, Европы и Азии, а так же с крупнейших складов мира;
- Широкая линейка поставок активных и пассивных импортных электронных компонентов (более 30 млн. наименований);
- Поставка сложных, дефицитных, либо снятых с производства позиций;
- Оперативные сроки поставки под заказ (от 5 рабочих дней);
- Экспресс доставка в любую точку России;
- Помощь Конструкторского Отдела и консультации квалифицированных инженеров;
- Техническая поддержка проекта, помощь в подборе аналогов, поставка прототипов;
- Поставка электронных компонентов под контролем ВП;
- Система менеджмента качества сертифицирована по Международному стандарту ISO 9001;
- При необходимости вся продукция военного и аэрокосмического назначения проходит испытания и сертификацию в лаборатории (по согласованию с заказчиком);
- Поставка специализированных компонентов военного и аэрокосмического уровня качества (Xilinx, Altera, Analog Devices, Intersil, Interpoint, Microsemi, Actel, Aeroflex, Peregrine, VPT, Syfer, Eurofarad, Texas Instruments, MS Kennedy, Miteq, Cobham, E2V, MA-COM, Hittite, Mini-Circuits, General Dynamics и др.);

Компания «Океан Электроники» является официальным дистрибьютором и эксклюзивным представителем в России одного из крупнейших производителей разъемов военного и аэрокосмического назначения «JONHON», а так же официальным дистрибьютором и эксклюзивным представителем в России производителя высокотехнологичных и надежных решений для передачи СВЧ сигналов «FORSTAR».



## JONHON

«JONHON» (основан в 1970 г.)

Разъемы специального, военного и аэрокосмического назначения:

(Применяются в военной, авиационной, аэрокосмической, морской, железнодорожной, горно- и нефтедобывающей отраслях промышленности)

«FORSTAR» (основан в 1998 г.)

ВЧ соединители, коаксиальные кабели, кабельные сборки и микроволновые компоненты:

(Применяются в телекоммуникациях гражданского и специального назначения, в средствах связи, РЛС, а так же военной, авиационной и аэрокосмической отраслях промышленности).



Телефон: 8 (812) 309-75-97 (многоканальный)

Факс: 8 (812) 320-03-32

Электронная почта: [ocean@oceanchips.ru](mailto:ocean@oceanchips.ru)

Web: <http://oceanchips.ru/>

Адрес: 198099, г. Санкт-Петербург, ул. Калинина, д. 2, корп. 4, лит. А