

Series 79 Micro-Crimp Section H: Backshells and Accessories



799-015 LOW PROFILE EMI BACKSHELL



Attach cable braid to connector with 799-015 adapters. These adapters fit securely into a groove on 790-024 and 790-025 cable connectors. Terminate shields with **BAND-IT**™ stainless steel straps. Elliptical cable entry provides room for large wire bundles. Machined T6061 aluminum adapters consist of two interlocking housings, two fillister head screws and two lockwashers. These lightweight, space-saving adapters are compatible with captive screws on connector flange. This adapter is non-environmental. Fill with potting compound to prevent water intrusion.

| Component | Material | Finish |
|-----------|-----------------|-----------------|
| Backshell | Aluminum Alloy | See table below |
| Hardware | Stainless Steel | Passivated |

How To Order

Sample Part Number

799-015T

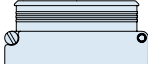
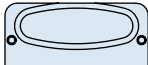


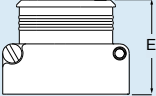
M

B

02

N

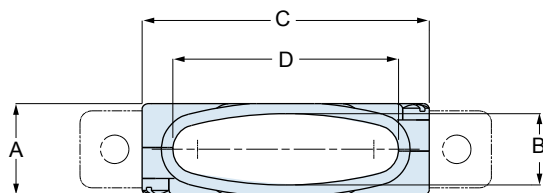
02

| Part Number | Shell Finish | Shell Size | Cable Entry Size | Band Option | Optional Height Code | | | | | | | | | | | | | | | | | | | | | | | | | | | | | | | | | | | | | | | | | | | | | | | | | | | | | | | | | | | | | | | | | | | | | | | | | | | | | | | | | | | | | | | | |
|---|---|---|--|------------------|----------------------|-----|------------|------------|-----|-----------|------|------|-----|-----------|------|------|-----|-----------|------|-------|-----|-----------|------|-------|-----|-----------|------|-------|-----|-----------|------|-------|-----|-----------|-------|-------|-----|-----------|-------|-------|-----|-----------|-------|-------|-----|-----------|-------|-------|-----|-----------|-------|-------|---|---|--|-------------|---|--|-----|-----|--------|------|------|-----------|------|------|-----------|------|------|-----------|-------|------|-----------|-------|------|-----------|-------|------|-----------|-------|------|-----------|-------|------|-----------|-------|------|-----------|-------|------|-----------|-------|------|
|  799-015T Top Entry  799-015S Side Entry | <p>M Electroless Nickel <i>general purpose applications</i></p> <p>MT Nickel-PTFE <i>1000 Hour Grey™ maximum corrosion protection and durability (non-reflective grey)</i></p> <p>ZNU Zinc-Nickel with Black Chromate <i>tactical applications (non-reflective black)</i></p> <p>Additional shell finishes are listed on page C-9.</p> | <p>A</p> <p>B</p> <p>C</p> <p>D</p> <p>E</p> <p>F</p> <p>G</p> <p>H</p> <p>J</p> <p>K</p> <p>L</p> |  <table border="1"> <thead> <tr> <th rowspan="2">Cable Entry Code</th> <th colspan="2">D</th> <th rowspan="2">Shell Size</th> </tr> <tr> <th>In.</th> <th>mm.</th> </tr> </thead> <tbody> <tr><td>01</td><td>.140</td><td>3.56</td><td>A-L</td></tr> <tr><td>02</td><td>.290</td><td>7.37</td><td>B-L</td></tr> <tr><td>03</td><td>.440</td><td>11.18</td><td>C-L</td></tr> <tr><td>04</td><td>.540</td><td>13.72</td><td>D-L</td></tr> <tr><td>05</td><td>.690</td><td>17.53</td><td>E-L</td></tr> <tr><td>06</td><td>.810</td><td>20.57</td><td>F-L</td></tr> <tr><td>07</td><td>1.000</td><td>25.40</td><td>H-L</td></tr> <tr><td>08</td><td>1.190</td><td>30.23</td><td>H-L</td></tr> <tr><td>09</td><td>1.305</td><td>33.15</td><td>K-L</td></tr> <tr><td>10</td><td>1.420</td><td>36.07</td><td>K-L</td></tr> <tr><td>11</td><td>1.600</td><td>40.64</td><td>K</td></tr> </tbody> </table> | Cable Entry Code | D | | Shell Size | In. | mm. | 01 | .140 | 3.56 | A-L | 02 | .290 | 7.37 | B-L | 03 | .440 | 11.18 | C-L | 04 | .540 | 13.72 | D-L | 05 | .690 | 17.53 | E-L | 06 | .810 | 20.57 | F-L | 07 | 1.000 | 25.40 | H-L | 08 | 1.190 | 30.23 | H-L | 09 | 1.305 | 33.15 | K-L | 10 | 1.420 | 36.07 | K-L | 11 | 1.600 | 40.64 | K | <p>N No Band Supplied</p> <p>M BAND-IT™ Micro-Band Included. .125 (3.18) Wide.</p>  |  <table border="1"> <thead> <tr> <th rowspan="2">Height Code</th> <th colspan="2">E</th> </tr> <tr> <th>In.</th> <th>mm.</th> </tr> </thead> <tbody> <tr><td>(None)</td><td>.690</td><td>17.5</td></tr> <tr><td>01</td><td>.810</td><td>20.6</td></tr> <tr><td>02</td><td>.940</td><td>23.9</td></tr> <tr><td>03</td><td>1.060</td><td>26.9</td></tr> <tr><td>04</td><td>1.190</td><td>30.2</td></tr> <tr><td>05</td><td>1.310</td><td>33.3</td></tr> <tr><td>06</td><td>1.440</td><td>36.6</td></tr> <tr><td>07</td><td>1.560</td><td>39.6</td></tr> <tr><td>08</td><td>1.690</td><td>42.9</td></tr> <tr><td>09</td><td>1.810</td><td>46.0</td></tr> <tr><td>10</td><td>1.940</td><td>49.3</td></tr> </tbody> </table> | Height Code | E | | In. | mm. | (None) | .690 | 17.5 | 01 | .810 | 20.6 | 02 | .940 | 23.9 | 03 | 1.060 | 26.9 | 04 | 1.190 | 30.2 | 05 | 1.310 | 33.3 | 06 | 1.440 | 36.6 | 07 | 1.560 | 39.6 | 08 | 1.690 | 42.9 | 09 | 1.810 | 46.0 | 10 | 1.940 | 49.3 |
| | | | Cable Entry Code | | D | | | Shell Size | | | | | | | | | | | | | | | | | | | | | | | | | | | | | | | | | | | | | | | | | | | | | | | | | | | | | | | | | | | | | | | | | | | | | | | | | | | | | | | | | | | | | |
| | | | | In. | mm. | | | | | | | | | | | | | | | | | | | | | | | | | | | | | | | | | | | | | | | | | | | | | | | | | | | | | | | | | | | | | | | | | | | | | | | | | | | | | | | | | | | | | | | | |
| | | | 01 | .140 | 3.56 | A-L | | | | | | | | | | | | | | | | | | | | | | | | | | | | | | | | | | | | | | | | | | | | | | | | | | | | | | | | | | | | | | | | | | | | | | | | | | | | | | | | | | | | | | | |
| | | | 02 | .290 | 7.37 | B-L | | | | | | | | | | | | | | | | | | | | | | | | | | | | | | | | | | | | | | | | | | | | | | | | | | | | | | | | | | | | | | | | | | | | | | | | | | | | | | | | | | | | | | | |
| | | | 03 | .440 | 11.18 | C-L | | | | | | | | | | | | | | | | | | | | | | | | | | | | | | | | | | | | | | | | | | | | | | | | | | | | | | | | | | | | | | | | | | | | | | | | | | | | | | | | | | | | | | | |
| | | | 04 | .540 | 13.72 | D-L | | | | | | | | | | | | | | | | | | | | | | | | | | | | | | | | | | | | | | | | | | | | | | | | | | | | | | | | | | | | | | | | | | | | | | | | | | | | | | | | | | | | | | | |
| | | | 05 | .690 | 17.53 | E-L | | | | | | | | | | | | | | | | | | | | | | | | | | | | | | | | | | | | | | | | | | | | | | | | | | | | | | | | | | | | | | | | | | | | | | | | | | | | | | | | | | | | | | | |
| | | | 06 | .810 | 20.57 | F-L | | | | | | | | | | | | | | | | | | | | | | | | | | | | | | | | | | | | | | | | | | | | | | | | | | | | | | | | | | | | | | | | | | | | | | | | | | | | | | | | | | | | | | | |
| | | | 07 | 1.000 | 25.40 | H-L | | | | | | | | | | | | | | | | | | | | | | | | | | | | | | | | | | | | | | | | | | | | | | | | | | | | | | | | | | | | | | | | | | | | | | | | | | | | | | | | | | | | | | | |
| | | | 08 | 1.190 | 30.23 | H-L | | | | | | | | | | | | | | | | | | | | | | | | | | | | | | | | | | | | | | | | | | | | | | | | | | | | | | | | | | | | | | | | | | | | | | | | | | | | | | | | | | | | | | | |
| 09 | 1.305 | 33.15 | K-L | | | | | | | | | | | | | | | | | | | | | | | | | | | | | | | | | | | | | | | | | | | | | | | | | | | | | | | | | | | | | | | | | | | | | | | | | | | | | | | | | | | | | | | | | | |
| 10 | 1.420 | 36.07 | K-L | | | | | | | | | | | | | | | | | | | | | | | | | | | | | | | | | | | | | | | | | | | | | | | | | | | | | | | | | | | | | | | | | | | | | | | | | | | | | | | | | | | | | | | | | | |
| 11 | 1.600 | 40.64 | K | | | | | | | | | | | | | | | | | | | | | | | | | | | | | | | | | | | | | | | | | | | | | | | | | | | | | | | | | | | | | | | | | | | | | | | | | | | | | | | | | | | | | | | | | | |
| Height Code | E | | | | | | | | | | | | | | | | | | | | | | | | | | | | | | | | | | | | | | | | | | | | | | | | | | | | | | | | | | | | | | | | | | | | | | | | | | | | | | | | | | | | | | | | | | | | |
| | In. | mm. | | | | | | | | | | | | | | | | | | | | | | | | | | | | | | | | | | | | | | | | | | | | | | | | | | | | | | | | | | | | | | | | | | | | | | | | | | | | | | | | | | | | | | | | | | | |
| (None) | .690 | 17.5 | | | | | | | | | | | | | | | | | | | | | | | | | | | | | | | | | | | | | | | | | | | | | | | | | | | | | | | | | | | | | | | | | | | | | | | | | | | | | | | | | | | | | | | | | | | |
| 01 | .810 | 20.6 | | | | | | | | | | | | | | | | | | | | | | | | | | | | | | | | | | | | | | | | | | | | | | | | | | | | | | | | | | | | | | | | | | | | | | | | | | | | | | | | | | | | | | | | | | | |
| 02 | .940 | 23.9 | | | | | | | | | | | | | | | | | | | | | | | | | | | | | | | | | | | | | | | | | | | | | | | | | | | | | | | | | | | | | | | | | | | | | | | | | | | | | | | | | | | | | | | | | | | |
| 03 | 1.060 | 26.9 | | | | | | | | | | | | | | | | | | | | | | | | | | | | | | | | | | | | | | | | | | | | | | | | | | | | | | | | | | | | | | | | | | | | | | | | | | | | | | | | | | | | | | | | | | | |
| 04 | 1.190 | 30.2 | | | | | | | | | | | | | | | | | | | | | | | | | | | | | | | | | | | | | | | | | | | | | | | | | | | | | | | | | | | | | | | | | | | | | | | | | | | | | | | | | | | | | | | | | | | |
| 05 | 1.310 | 33.3 | | | | | | | | | | | | | | | | | | | | | | | | | | | | | | | | | | | | | | | | | | | | | | | | | | | | | | | | | | | | | | | | | | | | | | | | | | | | | | | | | | | | | | | | | | | |
| 06 | 1.440 | 36.6 | | | | | | | | | | | | | | | | | | | | | | | | | | | | | | | | | | | | | | | | | | | | | | | | | | | | | | | | | | | | | | | | | | | | | | | | | | | | | | | | | | | | | | | | | | | |
| 07 | 1.560 | 39.6 | | | | | | | | | | | | | | | | | | | | | | | | | | | | | | | | | | | | | | | | | | | | | | | | | | | | | | | | | | | | | | | | | | | | | | | | | | | | | | | | | | | | | | | | | | | |
| 08 | 1.690 | 42.9 | | | | | | | | | | | | | | | | | | | | | | | | | | | | | | | | | | | | | | | | | | | | | | | | | | | | | | | | | | | | | | | | | | | | | | | | | | | | | | | | | | | | | | | | | | | |
| 09 | 1.810 | 46.0 | | | | | | | | | | | | | | | | | | | | | | | | | | | | | | | | | | | | | | | | | | | | | | | | | | | | | | | | | | | | | | | | | | | | | | | | | | | | | | | | | | | | | | | | | | | |
| 10 | 1.940 | 49.3 | | | | | | | | | | | | | | | | | | | | | | | | | | | | | | | | | | | | | | | | | | | | | | | | | | | | | | | | | | | | | | | | | | | | | | | | | | | | | | | | | | | | | | | | | | | |

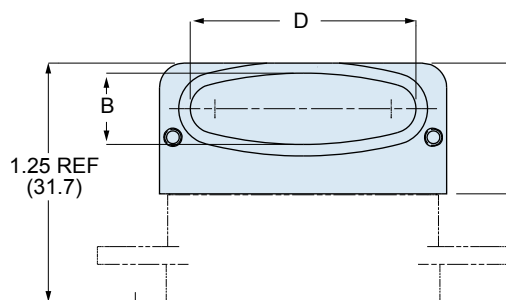
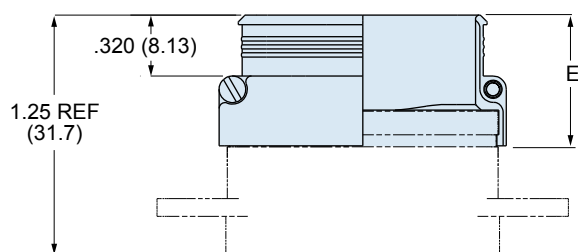
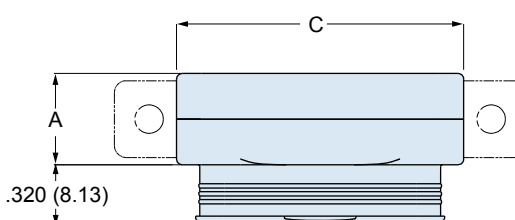
Dimensions in inches (millimeters) and are subject to change without notice.

799-015 LOW PROFILE EMI BACKSHELL

STYLE T - TOP ENTRY



STYLE S - SIDE ENTRY



CONNECTOR SHOWN FOR
REFERENCE - NOT SUPPLIED

799-015 DIMENSIONS

| Shell Size | A Max. | | B | | C Max. | | Available Entries |
|------------|--------|-------|------|------|--------|-------|-------------------|
| | In. | mm. | In. | mm. | In. | mm. | |
| A | .385 | 9.78 | .270 | 6.86 | .485 | 12.32 | 01 |
| B | .385 | 9.78 | .270 | 6.86 | .635 | 16.13 | 01 thru 02 |
| C | .385 | 9.78 | .270 | 6.86 | .785 | 19.94 | 01 thru 03 |
| D | .385 | 9.78 | .270 | 6.86 | .885 | 22.48 | 01 thru 04 |
| E | .385 | 9.78 | .270 | 6.86 | 1.035 | 26.29 | 01 thru 05 |
| F | .385 | 9.78 | .270 | 6.86 | 1.185 | 30.10 | 01 thru 06 |
| G | .465 | 11.81 | .350 | 8.89 | 1.145 | 29.08 | 01 thru 06 |
| H | .495 | 12.57 | .380 | 9.65 | 1.525 | 38.74 | 01 thru 08 |
| J | .385 | 9.78 | .270 | 6.86 | 1.545 | 39.24 | 01 thru 08 |
| K | .385 | 9.78 | .270 | 6.86 | 1.945 | 49.40 | 01 thru 11 |
| L | .495 | 12.57 | .380 | 9.65 | 1.765 | 44.83 | 01 thru 10 |

ENTRY SIZE

| Entry Size | D | | Available Sizes |
|------------|-------|-------|-----------------|
| | In. | mm. | |
| 01 | .140 | 3.56 | A Thru L |
| 02 | .290 | 7.37 | B thru L |
| 03 | .440 | 11.18 | C thru L |
| 04 | .540 | 13.72 | D thru L |
| 05 | .690 | 17.53 | E thru L |
| 06 | .810 | 20.57 | F, H, J, K, L |
| 07 | 1.000 | 25.40 | H thru L |
| 08 | 1.190 | 30.23 | H Thru L |
| 09 | 1.305 | 33.15 | K, L |
| 10 | 1.420 | 36.07 | K, L |
| 11 | 1.600 | 40.64 | K |

HEIGHT CODE

| CODE | E | |
|---------------|-------|------|
| | In. | mm. |
| (None) | .690 | 17.5 |
| 01 | .810 | 20.6 |
| 02 | .940 | 23.9 |
| 03 | 1.060 | 26.9 |
| 04 | 1.190 | 30.2 |
| 05 | 1.310 | 33.3 |
| 06 | 1.440 | 36.6 |
| 07 | 1.560 | 39.6 |
| 08 | 1.690 | 42.9 |
| 09 | 1.810 | 46.0 |
| 10 | 1.940 | 49.3 |

Dimensions in inches (millimeters) and are subject to change without notice.

Компания «Океан Электроники» предлагает заключение долгосрочных отношений при поставках импортных электронных компонентов на взаимовыгодных условиях!

Наши преимущества:

- Поставка оригинальных импортных электронных компонентов напрямую с производств Америки, Европы и Азии, а так же с крупнейших складов мира;
- Широкая линейка поставок активных и пассивных импортных электронных компонентов (более 30 млн. наименований);
- Поставка сложных, дефицитных, либо снятых с производства позиций;
- Оперативные сроки поставки под заказ (от 5 рабочих дней);
- Экспресс доставка в любую точку России;
- Помощь Конструкторского Отдела и консультации квалифицированных инженеров;
- Техническая поддержка проекта, помощь в подборе аналогов, поставка прототипов;
- Поставка электронных компонентов под контролем ВП;
- Система менеджмента качества сертифицирована по Международному стандарту ISO 9001;
- При необходимости вся продукция военного и аэрокосмического назначения проходит испытания и сертификацию в лаборатории (по согласованию с заказчиком);
- Поставка специализированных компонентов военного и аэрокосмического уровня качества (Xilinx, Altera, Analog Devices, Intersil, Interpoint, Microsemi, Actel, Aeroflex, Peregrine, VPT, Syfer, Eurofarad, Texas Instruments, MS Kennedy, Miteq, Cobham, E2V, MA-COM, Hittite, Mini-Circuits, General Dynamics и др.);

Компания «Океан Электроники» является официальным дистрибьютором и эксклюзивным представителем в России одного из крупнейших производителей разъемов военного и аэрокосмического назначения «JONHON», а так же официальным дистрибьютором и эксклюзивным представителем в России производителя высокотехнологичных и надежных решений для передачи СВЧ сигналов «FORSTAR».



JONHON

«JONHON» (основан в 1970 г.)

Разъемы специального, военного и аэрокосмического назначения:

(Применяются в военной, авиационной, аэрокосмической, морской, железнодорожной, горно- и нефтедобывающей отраслях промышленности)

«FORSTAR» (основан в 1998 г.)

ВЧ соединители, коаксиальные кабели, кабельные сборки и микроволновые компоненты:

(Применяются в телекоммуникациях гражданского и специального назначения, в средствах связи, РЛС, а так же военной, авиационной и аэрокосмической отраслях промышленности).



Телефон: 8 (812) 309-75-97 (многоканальный)

Факс: 8 (812) 320-03-32

Электронная почта: ocean@oceanchips.ru

Web: <http://oceanchips.ru/>

Адрес: 198099, г. Санкт-Петербург, ул. Калинина, д. 2, корп. 4, лит. А