

Q19 series

Ø19 mm panel mount LED indicators



DISTINCTIVE FEATURES

10 mm colored diffused epoxy lens or 10 mm water clear super bright LEDs

Prominent and flush bezel styles

(2.8 x 0.8) solder lug/faston terminals, pins or (200 mm long) wire terminations

Custom engraving available

Available in RGB



ENVIRONMENTAL SPECIFICATIONS

- IP67 sealing option (EN60529)
- Operating & Storage Temperature Range:
Rear plastic body: -30 °C to +65° C (-22 °F to +149 °F)
Rear epoxy body: -40 °C to +85° C (-40 °F to +185 °F)



GENERAL SPECIFICATIONS

- Max Reverse Voltage: 5 V
- Viewing Angle: 30–100° (dependant on model)
- Life Expectancy: 100,000 hours
- Torque: 75 cNm (dependent on option)
- Maximum panel thickness 11 mm

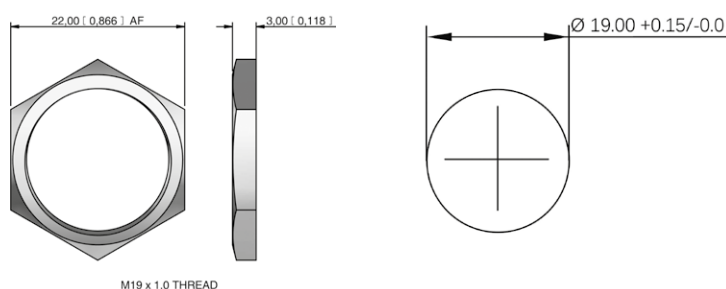


MATERIALS

- Plated brass bezel finished in bright chrome, black or satin grey and moulded polycarbonate rear body



MOUNTING



The company reserves the right to change specifications without notice.

All LED characteristics are dependent upon environmental conditions. Therefore published data should be considered nominal and subject to variations.



Q19 series

Ø19 mm panel mount LED indicators



ELECTRICAL SPECIFICATIONS

STANDARD LED INTENSITY

LED COMPONENT SPECIFICATIONS			
	Prominent and Recessed	Flush	Forward Voltage
HE Red	80 mcd	10 mcd	2.0 V
Green	60 mcd	5 mcd	2.2 V
Yellow	50 mcd	4 mcd	2.1 V
Blue	540 mcd	100 mcd	3.3 V
White	1000 mcd	150 mcd	3.3 V
Orange	80 mcd	200 mcd	2.2 V
Bi-color (Typical) (Red/Green)	15/15 mcd	14/10 mcd	2.0 V/2.2 V
Tri-color (Typical) (Red/Green/Yellow)	60/50/50 mcd	15/10/30 mcd	2.0 V/2.2 V/2.1 V

Bi-color - The color is changed by reversing the polarity of the supply voltage.
Tri-color - The indicator has red and green LEDs, when both connected yellow is produced.

SUPER BRIGHT LED INTENSITY

LED COMPONENT SPECIFICATIONS			
	Prominent and Recessed	Flush	Forward Voltage
HE Red	17,000 mcd	2,000 mcd	2.0 V
Green	11,000 mcd	680 mcd	3.5 V
Yellow	4,000 mcd	350 mcd	2.3 V
Blue	2,500 mcd	250 mcd	3.3 V
White	4,400 mcd	250 mcd	3.3 V
Orange	2,800 mcd	300 mcd	2.1 V

HYPER BRIGHT LED INTENSITY

LED COMPONENT SPECIFICATIONS			
	Prominent and Recessed	Flush	Forward Voltage
HE Red	2,800 mcd	800 mcd	2.1 V
Green	2,200 mcd	250 mcd	3.2 V
Yellow	1,300 mcd	250 mcd	2.0 V
Orange	850 mcd	200 mcd	2.1 V

RGB LED INTENSITY

ITEM	SYMBOL	CONDITION	TYP.
DC Forward Voltage	$V_F(R)$	IF=20 mA	2.1
	$V_F(B/G)$	IF=20 mA	2.1
Luminous Intensity	I_v (Red)		220 mdc
	I_v (Green)		500 mdc
	I_v (Blue)		100 mdc

Voltage	Operating Voltage	Operating Current
	(Min to Max)	(Typical All Types)
02 (No Resistor)	1.8 to 3.3 VDC	20 mA max*
6 VDC	5.4 to 6.6 VDC	20 mA
12 VDC	10.8 to 13.2 VDC	20 mA
24 VDC	21.6 to 26.4 VDC	20 mA
28 VDC	25.2 to 30.8 VDC	20 mA
110 VAC	99 to 121 VAC	6 mA
220 VAC	207 to 235 VAC	3 mA

* Customer to supply resistor for desired operating current.

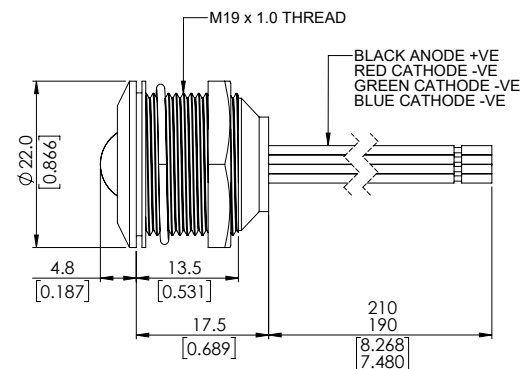
ADDITIONAL INFORMATION ON LED COMPONENTS

- The operating voltage must not be exceeded by more than 10% as this will result in reduced life expectancy
- Luminous intensity is measured at 20 mA on a discrete led unless otherwise stated.
- Luminous intensities and color shades of white LEDs may vary within a batch.
- Luminous intensity will be reduced with lower operating current.



CONNECTIONS

REAR EPOXY WIRES FOR RGB OPTION



Q19 series

Ø19 mm panel mount LED indicators



BUILD YOUR PART NUMBER

Q	—	—	—	—	—	—	—	—
SERIES	MOUNTING HOLE	BEZEL STYLE	TERMINALS	TERMINALS	TERMINALS	BEZEL FINISH	BEZEL FINISH	BEZEL FINISH
	19 Ø19 mm	Metal	1 Solder Lug/ Fastons (2.8 x 0.8)	5 Rear epoxy Wires	6 Short body Pins	Metal	C Bright Chrome	B Black
		P Prominent	2 Pins	7 Short body Wires		B Black	G Satin Grey	
		R Recessed	3 Wires					
		F Flush	4 Rear epoxy Pins					
		EP Extra Prominent						

—	—	—	—	—	—	—	—	—
TYPE OF ILLUMINATION	LED COLOR	LED COLOR	LED COLOR	LED COLOR	VOLTAGE	VOLTAGE	SEALING	SEALING
XX Fixed Light	R Red	HG Hyper Bright Green	SB Super bright blue	02 no resistor**	(Blank) Unsealed	(Blank) Unsealed	E IP67	(Blank) Common cathode
KK Flashing Light (12 V – 28 VDC)	G Green	HY Hyper Bright Yellow	SW Super bright white	06 6 VDC	12 12 VDC	12A 12 VAC/DC	(Blank) Common cathode	-CA Common anode
YY Bi-color	Y Yellow	HO Hyper Bright Orange	SW Super bright Orange	24 24 VDC	24A 24 VAC/DC	24A 24 VAC/DC	(Blank) Common cathode	-CA Common anode
ZZ Tri-color	B Blue	SR Super Bright Red	RG Red/green	28 28 VDC	28A 28 VAC/DC	28A 28 VAC/DC	(Blank) Common cathode	-CA Common anode
	W White	SG Super Bright Green	RY Red/yellow	28A 28 VAC/DC	110 110 VAC	110 110 VAC	(Blank) Common cathode	-CA Common anode
	O Orange	SY Super Bright Yellow	GY Green/yellow	220 220 VAC	220 220 VAC	220 220 VAC	(Blank) Common cathode	-CA Common anode
	HR Hyper Bright Red		RYG Red/yellow/green				(Blank) Common cathode	-CA Common anode
			RGB Red/Green/Blue*				(Blank) Common cathode	-CA Common anode



ABOUT THIS SERIES

* Terminals option 5 and common anode only

** please refer to the forward voltage in electrical specifications



Notice: please note that not all combinations of above numbers are available.

- Gold faston terminal denotes anode (+), silver terminal denotes cathode (-)
- Standard wire length is 200 mm, 22 AWG UL1007, red wire denotes anode (+), black wire denotes cathode (-) for other wire lengths consult APEM
- 110 VAC and 220 VAC, short body terminal options, 5, 6 and 7 please consult the factory
- Bi-color leds, by connecting the gold faston (+) one color is produced, by reversing the supply voltage another color is produced – bi-colors are available up to 28 VDC
- Take care when soldering to the faston terminals (recommended solder temperature 300 °C - 3 sec)
- Short body pins and wires are only available up to 28 VDC
- The tri-color led has red and green leds when both are connected yellow is produced
- Standard tri-color faston terminals are two anodes (+) and one cathode (-)
- Tri-color wires are one red (+) and one green (+) anode and one black (-) cathode
- Tri-color pins are center (-) cathode, shortest (+) anode pin green, longest (+) anode pin red
- We recommend using hyperbright or superbright leds for use at 110 VAC and 220 VAC
- For leds with alternative voltages and for multi-voltage options please consult APEM

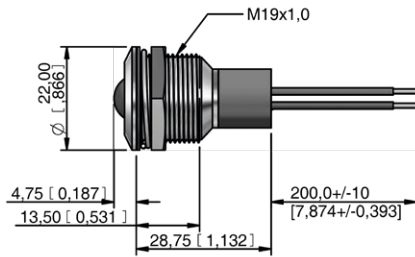
Q19 series

Ø19 mm panel mount LED indicators

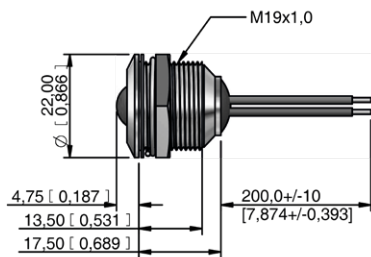
PROMINENT BEZEL



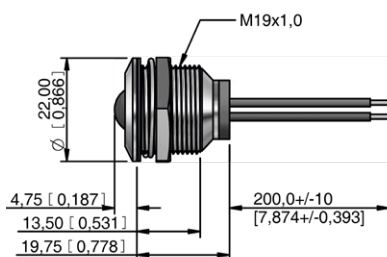
WIRES



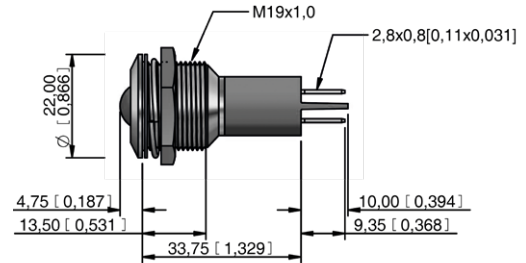
REAR EPOXY WIRES



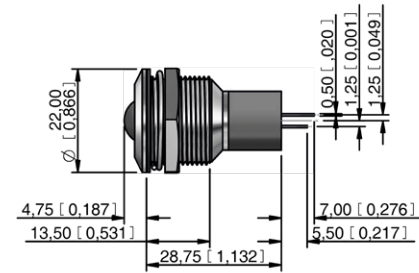
SHORT BODY WIRES



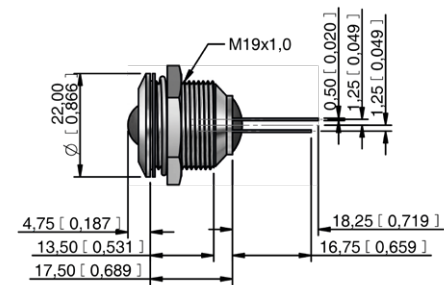
SOLDER LUG/FASTON



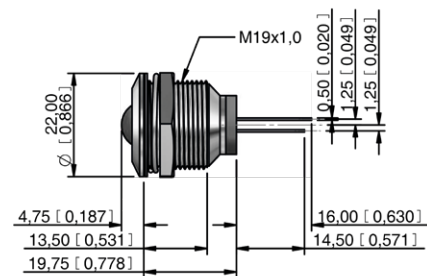
PINS



REAR EPOXY PINS



SHORT BODY PINS



Q19 series

Ø19 mm panel mount LED indicators

FLUSH BEZEL

SOLDER LUG/FASTON

WIRES

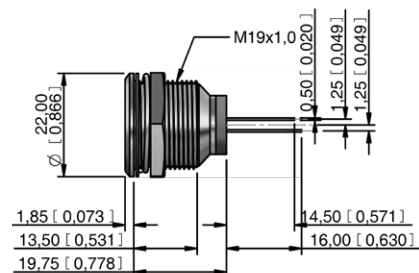
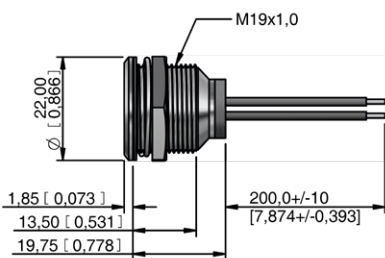
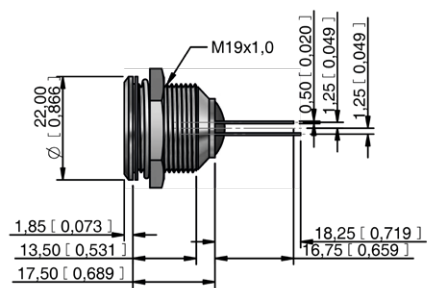
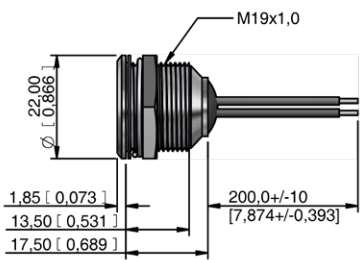
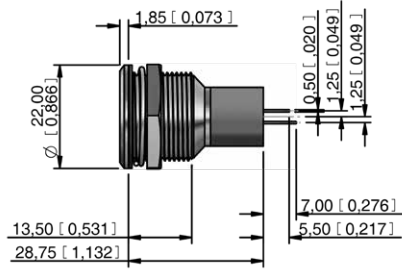
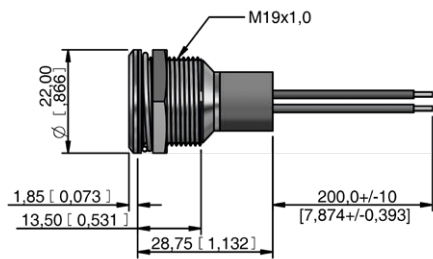
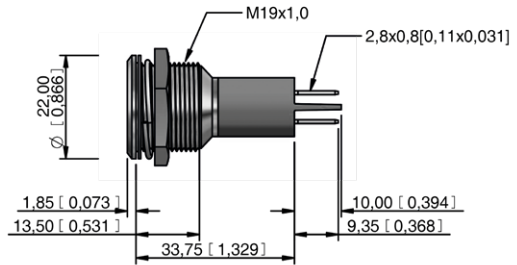
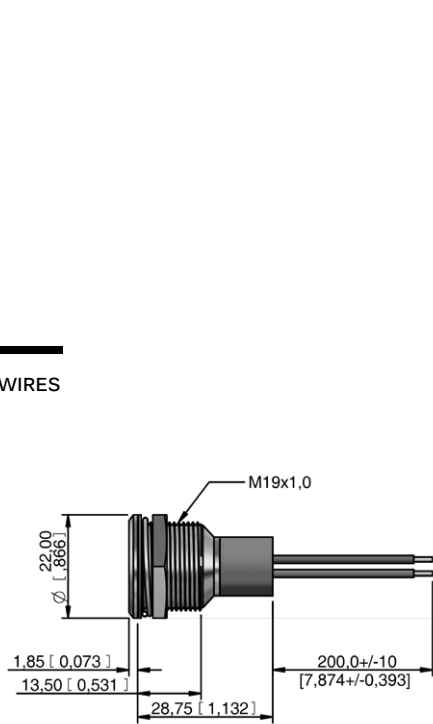
PINS

REAR EPOXY WIRES

REAR EPOXY PINS

SHORT BODY WIRES

SHORT BODY PINS



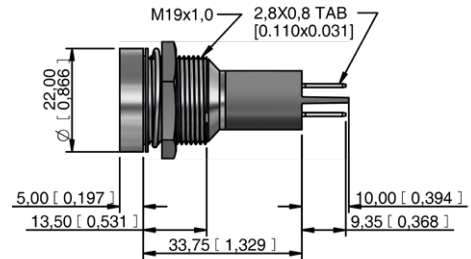
Q19 series

Ø19 mm panel mount LED indicators

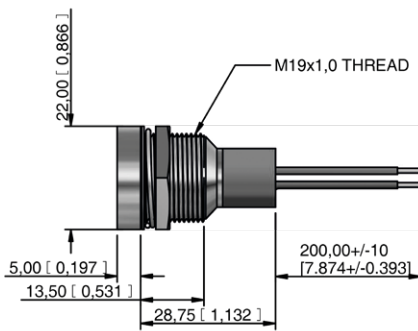
RECESSED BEZEL



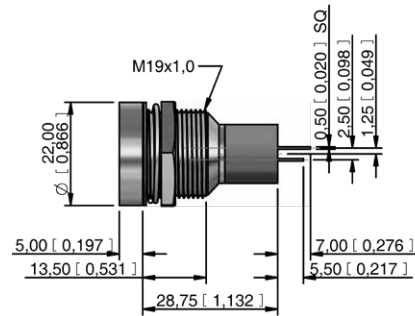
SOLDER LUG/FASTON



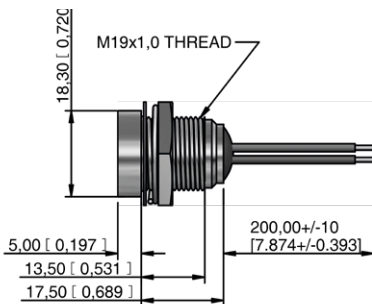
WIRES



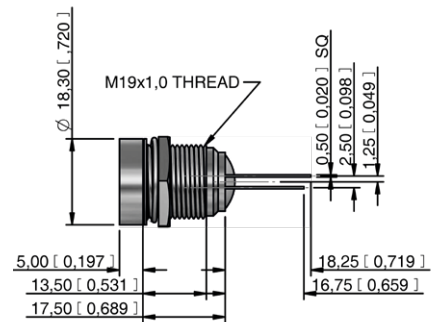
PINS



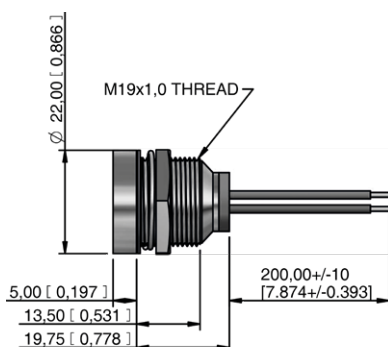
REAR EPOXY WIRES



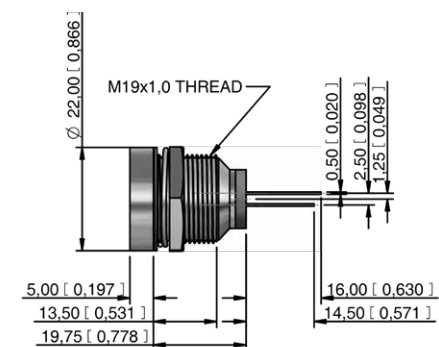
REAR EPOXY PINS



SHORT BODY WIRES



SHORT BODY PINS



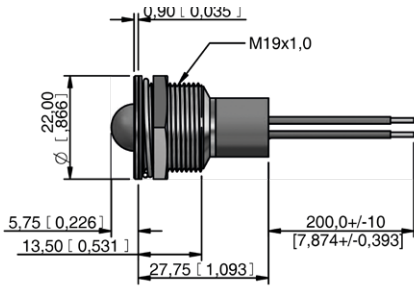
Q19 series

Ø19 mm panel mount LED indicators

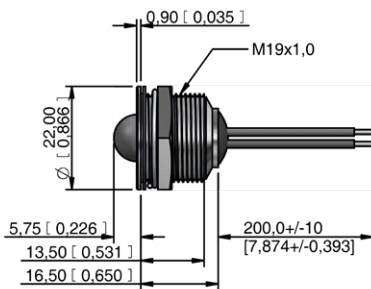
EXTRA PROMINENT BEZEL



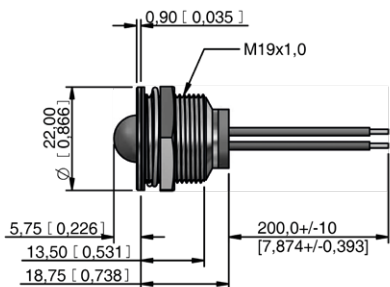
WIRES



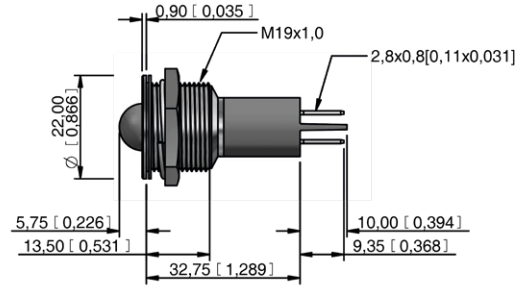
REAR EPOXY WIRES



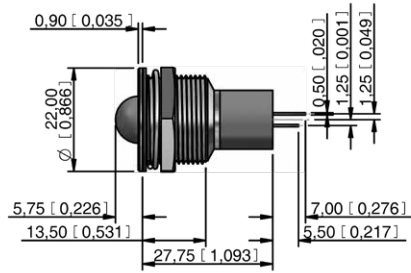
SHORT BODY WIRES



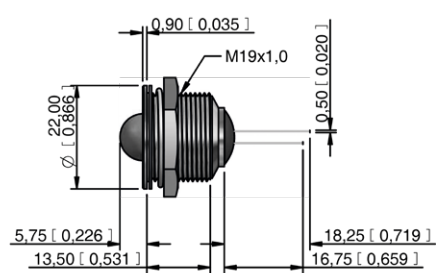
SOLDER LUG/FASTON



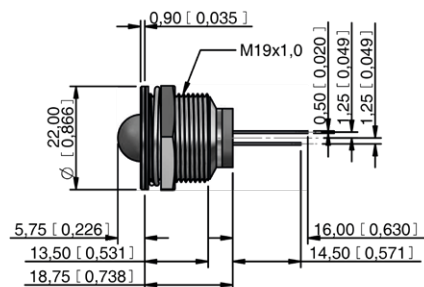
PINS



REAR EPOXY PINS



SHORT BODY PINS



Q19 series

Ø19 mm panel mount LED indicators



CUSTOM ENGRAVING

Some common codes are listed above, for your custom requirements please contact APEM.
Unless specified standard engraving with white infill will be supplied.
Suffix the part number with legend code :



High beam
-0AJ



Low beam
-097



Rear fog
-027



Front fog
-026



Windscreen
wiper
-021



Windscreen
washer
-022



Ventilator
fan
-023



Turn Signal
-0AH



Side lights
-098



Horn
-041



Hazard
warning
-013



Heating
-018



Brake test
-0BU



Arrow
-0K6



Battery
-0AG



Oil can
-0GP



Windscreen
heating
-020



ABS
-086



Engine coil
-0EL



Seat belt
-0SB



USB
connection
-0BU



Steam
-0ST



ECU
-0EU



Side step
-0AD



Air con
-012



Engine
-040



Boot/Trunk
Release
-0BR



CABLE LENGTH AND CONNECTOR



For custom cable length and connectors contact APEM.

Компания «Океан Электроники» предлагает заключение долгосрочных отношений при поставках импортных электронных компонентов на взаимовыгодных условиях!

Наши преимущества:

- Поставка оригинальных импортных электронных компонентов напрямую с производств Америки, Европы и Азии, а так же с крупнейших складов мира;
- Широкая линейка поставок активных и пассивных импортных электронных компонентов (более 30 млн. наименований);
- Поставка сложных, дефицитных, либо снятых с производства позиций;
- Оперативные сроки поставки под заказ (от 5 рабочих дней);
- Экспресс доставка в любую точку России;
- Помощь Конструкторского Отдела и консультации квалифицированных инженеров;
- Техническая поддержка проекта, помощь в подборе аналогов, поставка прототипов;
- Поставка электронных компонентов под контролем ВП;
- Система менеджмента качества сертифицирована по Международному стандарту ISO 9001;
- При необходимости вся продукция военного и аэрокосмического назначения проходит испытания и сертификацию в лаборатории (по согласованию с заказчиком);
- Поставка специализированных компонентов военного и аэрокосмического уровня качества (Xilinx, Altera, Analog Devices, Intersil, Interpoint, Microsemi, Actel, Aeroflex, Peregrine, VPT, Syfer, Eurofarad, Texas Instruments, MS Kennedy, Miteq, Cobham, E2V, MA-COM, Hittite, Mini-Circuits, General Dynamics и др.);

Компания «Океан Электроники» является официальным дистрибьютором и эксклюзивным представителем в России одного из крупнейших производителей разъемов военного и аэрокосмического назначения «JONHON», а так же официальным дистрибьютором и эксклюзивным представителем в России производителя высокотехнологичных и надежных решений для передачи СВЧ сигналов «FORSTAR».



JONHON

«JONHON» (основан в 1970 г.)

Разъемы специального, военного и аэрокосмического назначения:

(Применяются в военной, авиационной, аэрокосмической, морской, железнодорожной, горно- и нефтедобывающей отраслях промышленности)

«FORSTAR» (основан в 1998 г.)

ВЧ соединители, коаксиальные кабели, кабельные сборки и микроволновые компоненты:

(Применяются в телекоммуникациях гражданского и специального назначения, в средствах связи, РЛС, а так же военной, авиационной и аэрокосмической отраслях промышленности).



Телефон: 8 (812) 309-75-97 (многоканальный)

Факс: 8 (812) 320-03-32

Электронная почта: ocean@oceanchips.ru

Web: <http://oceanchips.ru/>

Адрес: 198099, г. Санкт-Петербург, ул. Калинина, д. 2, корп. 4, лит. А