

List of "SFW\_\_R-3/4STE1HLF" customer document

| DOCUMENT NO. | LIST   |
|--------------|--|
| GS-12-0986   | SPEC.  |
| 10118875     | CAT.NO.TABLE FOR 1mm SPACING SMT CONNECTOR (SFW__R-3/4ST__HLF)                       |
| 10118875     | 1mm SPACING SMT CONNECTOR (SFW__R-3ST__HLF)  |
| 10118875     | 1mm SPACING SMT CONNECTOR (SFW__R-4ST__HLF)  |
| 10118875     | CAT.NO.TABLE FOR PLASTIC TAPE PACKAGED 1mm SPACING SMT CONNECTOR (SFW__R-3/4STE1HLF) |
| 10118875     | PLASTIC TAPE PACKAGED 1mm SPACING SMT CONNECTOR (SFW__R-3STE1HLF)                    |
| 10118875     | PLASTIC TAPE PACKAGED 1mm SPACING SMT CONNECTOR (SFW__R-4STE1HLF)                    |
| 10118875     | RECOMMENDED CABLE (FPC) (SFW__R-3/4ST__)   |
| 10118875     | RECOMMENDED CABLE (FFC) (SFW__R-3/4ST__)   |
| GS-20-130    | HANDLING PROCEDURES  |



FCIconnect.com

Copyright FCI.

|             |  |                |  |  |  |            |  |                                       |  |  |  |
|-------------|--|----------------|--|--|--|------------|--|---------------------------------------|--|--|--|
| mat'l. code |  | -              |  | surface 58 / tolerance ISO 1302 / ISO 406 / ISO 1101 |  | projection |  | product family 58RF                   |  | CODE JP  |  |
| ltr         |  | ecn no         |  | dr   |  | date       |  | tolerances unless otherwise specified |  | title  |  |
| A           |  | J11-0174       |  | S.W  |  | 2011-08-10 |  | mm                                    |  | 1mm SPACING FPC CONNECTOR DOCUMENT LIST (Cat. No. : SFW__R-3/4STE1HLF) |  |
|             |  |                |  | angles   |  | linear     |  | scale X                               |  | dwg no sheet 1 of 9 size   |  |
|             |  |                |  | dr   |  | 2011-8-10  |  | FCI                                   |  | 10118875 A4  |  |
|             |  |                |  | enr  |  | 2011-8-10  |  |                                       |  | type Product Customer Drawing  |  |
|             |  |                |  | chr  |  | 2011-8-10  |  |                                       |  |  |  |
|             |  |                |  | appd   |  | Aug 11/11  |  |                                       |  |  |  |
| sheet index |  | revision sheet |  | A  |  | A          |  | A                                     |  | Rev. A   |  |
| 1           |  | 2              |  | 3  |  | 4          |  | 5                                     |  | 6  |  |
| 7           |  | 8              |  | 9  |  |            |  |                                       |  |  |  |

CAT. NO. & DIMENSIONS

| NO. OF CONTACTS (n) | CAT. NO.          | DIMENSIONS (NOTE2) |         |         |         |
|---------------------|-------------------|--------------------|---------|---------|---------|
|                     |                   | A ± 0.2            | B ± 0.2 | C ± 0.2 | D ± 0.1 |
| 4                   | SFW4R-3/4ST__HLF  | 9.8                | 8.6     | 3.0     | 3.92    |
| 5                   | SFW5R-3/4ST__HLF  | 10.8               | 9.6     | 4.0     | 4.92    |
| 6                   | SFW6R-3/4ST__HLF  | 11.8               | 10.6    | 5.0     | 5.92    |
| 7                   | SFW7R-3/4ST__HLF  | 12.8               | 11.6    | 6.0     | 6.92    |
| 8                   | SFW8R-3/4ST__HLF  | 13.8               | 12.6    | 7.0     | 7.92    |
| 9                   | SFW9R-3/4ST__HLF  | 14.8               | 13.6    | 8.0     | 8.92    |
| 10                  | SFW10R-3/4ST__HLF | 15.8               | 14.6    | 9.0     | 9.92    |
| 11                  | SFW11R-3/4ST__HLF | 16.8               | 15.6    | 10.0    | 10.92   |
| 12                  | SFW12R-3/4ST__HLF | 17.8               | 16.6    | 11.0    | 11.92   |
| 13                  | SFW13R-3/4ST__HLF | 18.8               | 17.6    | 12.0    | 12.92   |
| 14                  | SFW14R-3/4ST__HLF | 19.8               | 18.6    | 13.0    | 13.92   |
| 15                  | SFW15R-3/4ST__HLF | 20.8               | 19.6    | 14.0    | 14.92   |
| 16                  | SFW16R-3/4ST__HLF | 21.8               | 20.6    | 15.0    | 15.92   |
| 17                  | SFW17R-3/4ST__HLF | 22.8               | 21.6    | 16.0    | 16.92   |
| 18                  | SFW18R-3/4ST__HLF | 23.8               | 22.6    | 17.0    | 17.92   |
| 19                  | SFW19R-3/4ST__HLF | 24.8               | 23.6    | 18.0    | 18.92   |
| 20                  | SFW20R-3/4ST__HLF | 25.8               | 24.6    | 19.0    | 19.92   |
| 21                  | SFW21R-3/4ST__HLF | 26.8               | 25.6    | 20.0    | 20.92   |
| 22                  | SFW22R-3/4ST__HLF | 27.8               | 26.6    | 21.0    | 21.92   |
| 23                  | SFW23R-3/4ST__HLF | 28.8               | 27.6    | 22.0    | 22.92   |
| 24                  | SFW24R-3/4ST__HLF | 29.8               | 28.6    | 23.0    | 23.92   |
| 25                  | SFW25R-3/4ST__HLF | 30.8               | 29.6    | 24.0    | 24.92   |
| 26                  | SFW26R-3/4ST__HLF | 31.8               | 30.6    | 25.0    | 25.92   |
| 27                  | SFW27R-3/4ST__HLF | 32.8               | 31.6    | 26.0    | 26.92   |
| 28                  | SFW28R-3/4ST__HLF | 33.8               | 32.6    | 27.0    | 27.92   |
| 29                  | SFW29R-3/4ST__HLF | 34.8               | 33.6    | 28.0    | 28.92   |
| 30                  | SFW30R-3/4ST__HLF | 35.8               | 34.6    | 29.0    | 29.92   |

CAT. NO. SFW (n) R - 3 ST \_\_\_ HLF

SERIES NAME

NO. OF CONTACTS

RIGHT ANGLE TYPE

FOR FPC/FFC, WITH CABLE LOCK MECHANISM

CONTACT DIRECTION

3. LOWER CONTACT TYPE

4. UPPER CONTACT TYPE

FOR AUTOMATIC MOUNTING (SMT)

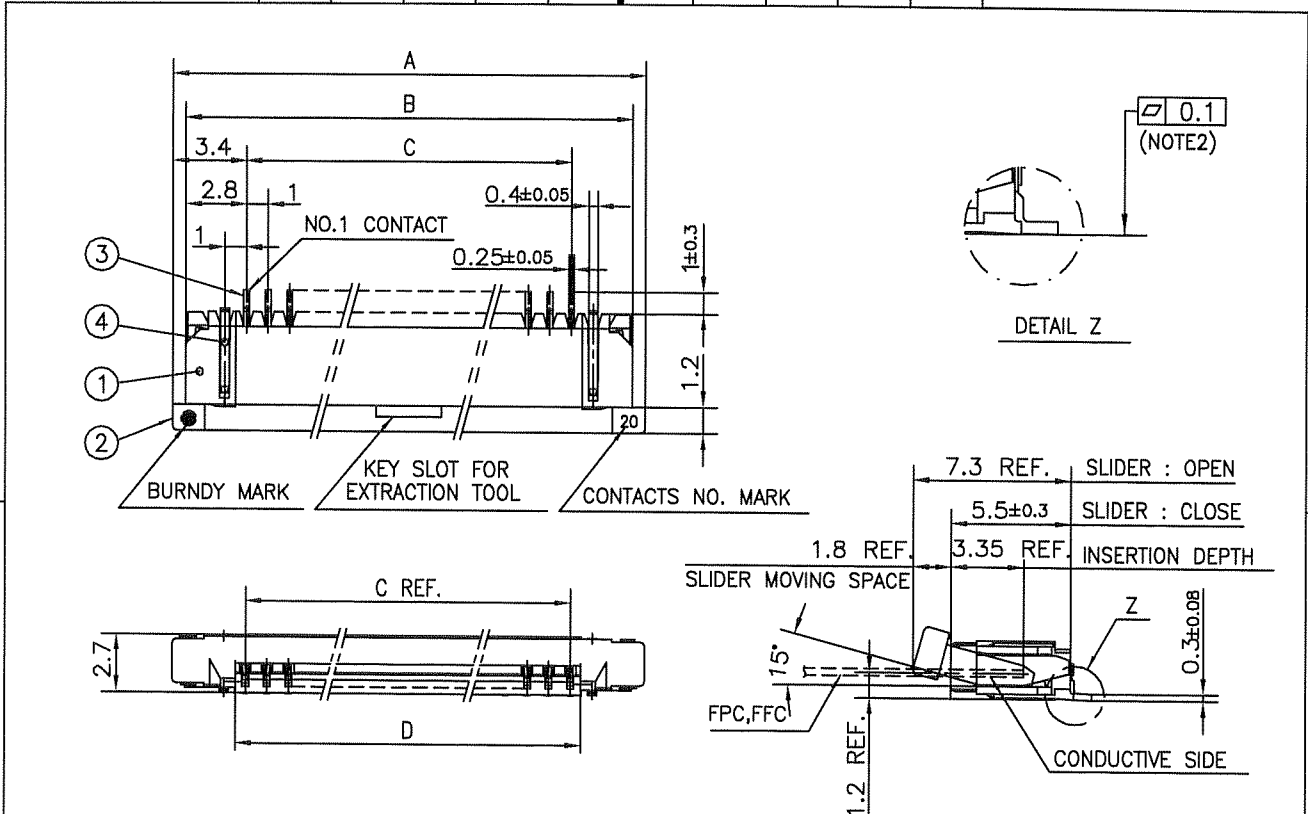
PACKAGE STYLE

LEAD AND HALOGEN FREE

NOTES

1. THIS PRODUCT IS THE CONNECTOR USED FOR FPC/FFC AND COPE WITH AUTOMATIC MOUNTING (SMT).
2. SEE PART DRAWINGS FOR DIMENSIONS A~D.
3. THIS PRODUCT IS THE CONNECTOR WITH CABLE LOCK MECHANISM.

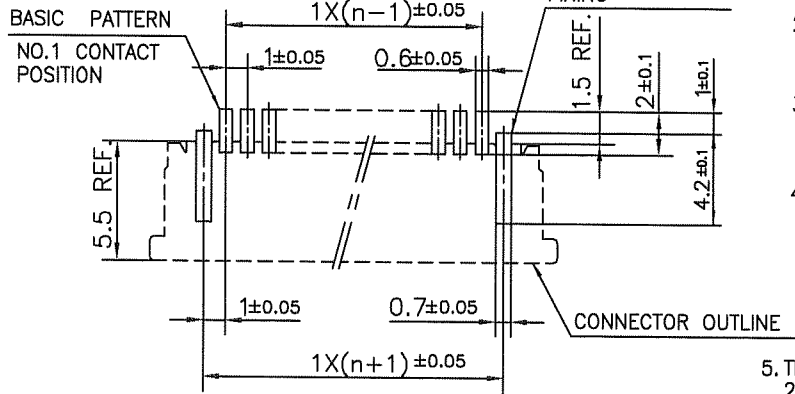
|                    |  |                |  |  |  |            |  |  |  |                      |  |
|--------------------|--|----------------|--|--|--|------------|--|--|--|----------------------|--|
| mat'l. code        |  |                |  | surface 58 / tolerance ISO 1302 <input checked="" type="checkbox"/> ISO 406 ISO 1101 |  | projection |  | product family 58RF  |  | CODE JP              |  |
| ltr ecn no dr date |  |                |  | tolerances unless otherwise specified  |  |            |  | title CAT NO. TABLE FOR 1mm SPACING SMT CONNECTOR (Cat. No. SFW__R-3/4ST__HLF) |  |                      |  |
| A                  |  |                |  | angles linear  |  | mm         |  | dwg no 10118875  |  | sheet 2 of 9 size A4 |  |
|                    |  |                |  | dr <i>S. Nishida</i> 2011-8-10   |  |            |  | type Product Customer Drawing  |  |                      |  |
|                    |  |                |  | enr <i>S. Nishida</i> 2011-8-10  |  |            |  |  |  |                      |  |
|                    |  |                |  | chr <i>Z. Asano</i> 2011-8-10  |  |            |  |  |  |                      |  |
|                    |  |                |  | appd <i>MC</i> Aug 11  |  |            |  |  |  |                      |  |
| sheet index        |  | revision sheet |  |  |  |            |  |  |  | Rev. A               |  |



| PT. NO. | PARTS NAME     | MATERIAL                             | Q'TY | NOTE          |
|---------|----------------|--------------------------------------|------|---------------|
| 1       | HOUSING        | PPS RESIN GLASS REINFORCED (UL94V-0) | 1    | COLOR : GRAY  |
| 2       | SLIDER         |                                      | 1    | COLOR : GRAY  |
| 3       | CONTACT        | PHOSPHOR BRONZE                      | n    | PLATING : TIN |
| 4       | MOUNTING PLATE |                                      | 2    |               |

n : NO. OF CONTACTS

**RECOMMENDED PC BOARD LAYOUT (COMPONENT SIDE)**

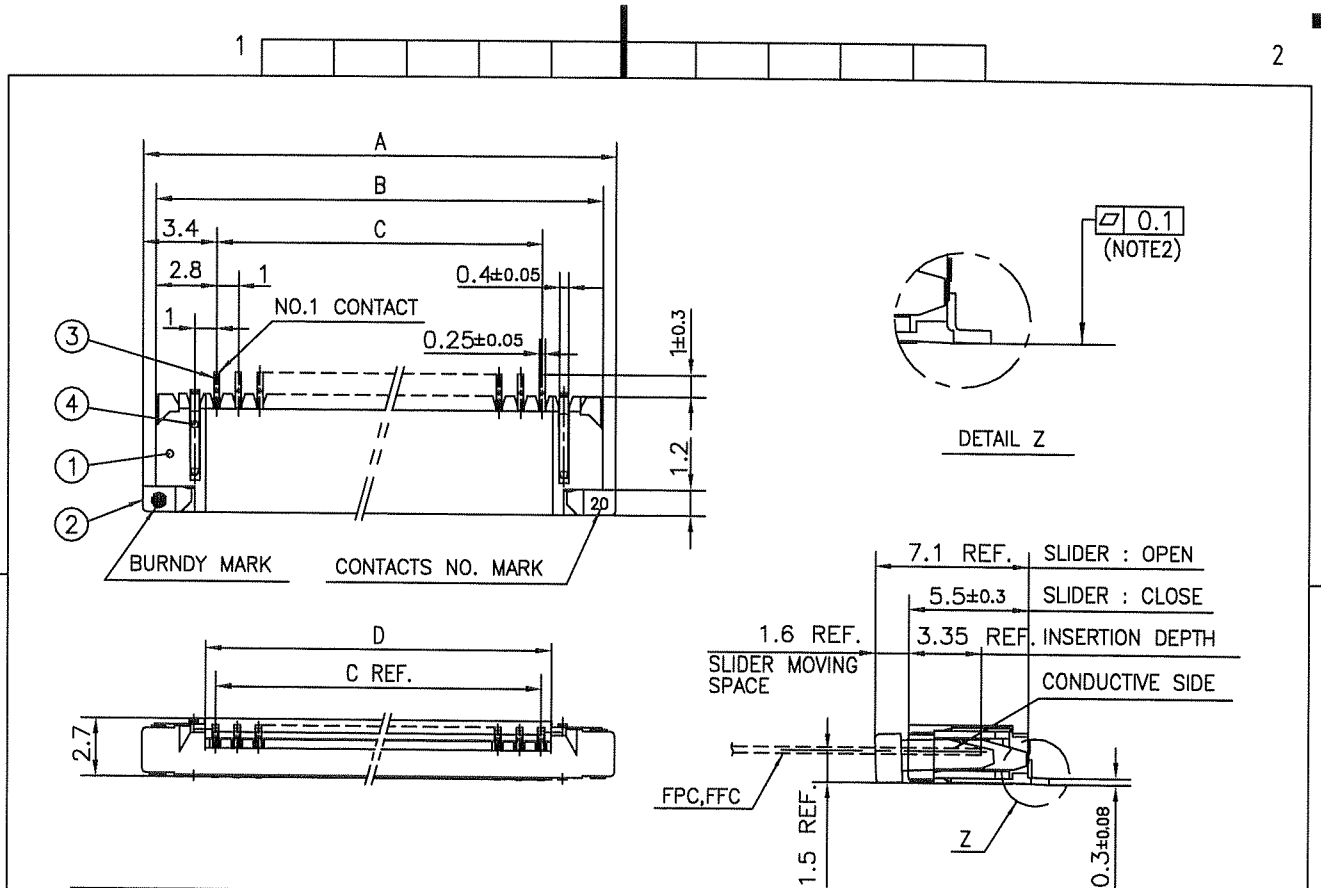


**NOTES**

1. THIS PRODUCT IS THE CONNECTOR USED FOR FPC/FFC AND COPEs WITH AUTOMATIC MOUNTING (SMT).
2. FLATNESS FOR CONTACT TERMINAL HOUSING MUST BE WITHIN TOLERANCE IN Z PORTION DETAILED DRAWING.
3. THIS PRODUCT IS LOWER CONTACT TYPE CONNECTOR WITH CABLE LOCK MECHANISM.
4. THIS PRODUCT MEETS EUROPEAN UNION DIRECTIVES AND OTHER COUNTRY REGULATIONS AS DESCRIBED IN GS-22-008
5. THE HOUSING WILL WITHSTAND EXPOSURE TO 260°C PEAK TEMPERATURE FOR 10 SECONDS IN A REFLOW SOLDERING OVEN.

|             |                |    |      |                                       |                            |            |  |         |
|-------------|----------------|----|------|---------------------------------------|----------------------------|------------|--|---------|
| mat'l. code |                |    |      | surface 58/ISO 1302                   | tolerance ISO 406/ISO 1101 | projection | product family 58RF                                  | CODE JP |
| ltr         | ecn no         | dr | date | tolerances unless otherwise specified |                            | mm         | title  |         |
| A           |                |    |      | angles                                | linear ±0.2                |            | 1mm SPACING SMT CONNECTOR (Cat. No. SFW__R-3ST__HLF) |         |
|             |                |    |      | dr                                    | 2011-8-10                  |            | dwg no sheet 3 of 9 size                             |         |
|             |                |    |      | enr                                   | 2011-8-10                  |            | 10118875 A4  |         |
|             |                |    |      | chr                                   | 2011-8-10                  |            | type Product Customer Drawing                        |         |
|             |                |    |      | appd                                  | Aug 11/11                  |            |  |         |
| sheet index | revision sheet |    |      |                                       |                            |            |  | Rev. A  |

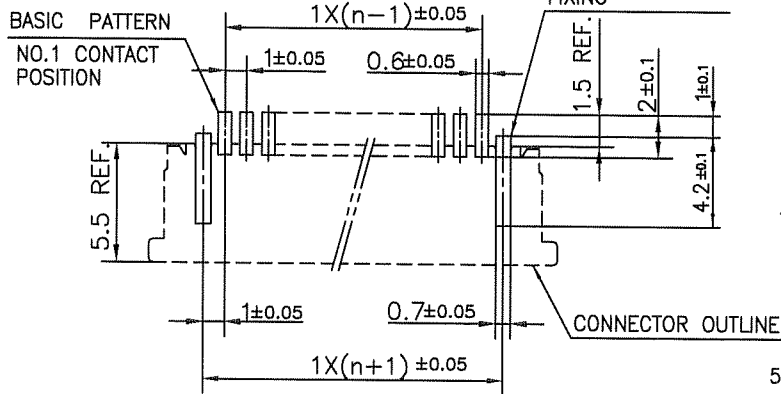
form: A4



| PT. NO. | PARTS NAME     | MATERIAL                                | Q'TY | NOTE          |
|---------|----------------|---|------|---------------|
| 1       | HOUSING        | PPS RESIN GLASS<br>REINFORCED (UL94V-0) | 1    | COLOR : GRAY  |
| 2       | SLIDER         |   | 1    | COLOR : GRAY  |
| 3       | CONTACT        | PHOSPHOR BRONZE                         | n    | PLATING : TIN |
| 4       | MOUNTING PLATE |   | 2    |               |

n : NO. OF CONTACTS

RECOMMENDED PC BOARD LAYOUT  
(COMPONENT SIDE)



NOTES

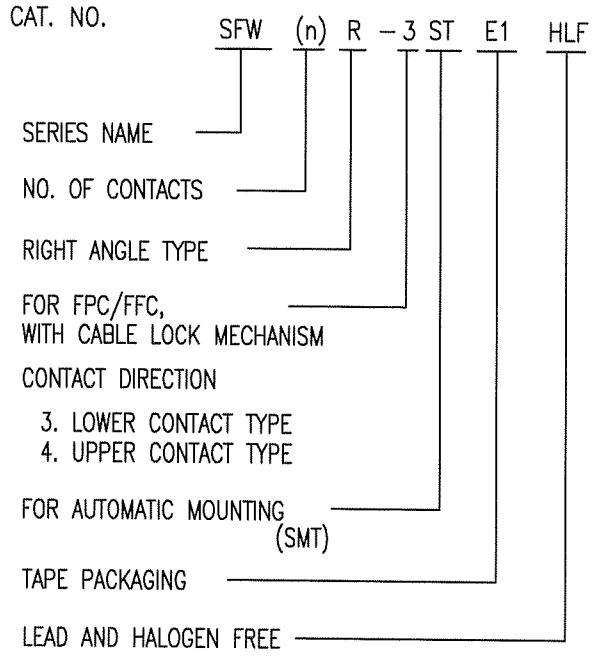
1. THIS PRODUCT IS THE CONNECTOR USED FOR FPC/FFC AND COPEs WITH AUTOMATIC MOUNTING (SMT).
2. FLATNESS FOR CONTACT TERMINAL HOUSING MUST BE WITHIN TOLERANCE IN Z PORTION DETAILED DRAWING.
3. THIS PRODUCT IS UPPER CONTACT TYPE CONNECTOR WITH CABLE LOCK MECHANISM.
4. THIS PRODUCT MEETS EUROPEAN UNION DIRECTIVES AND OTHER COUNTRY REGULATIONS AS DESCRIBED IN GS-22-008

5. THE HOUSING WILL WITHSTAND EXPOSURE TO 260°C PEAK TEMPERATURE FOR 10 SECONDS IN A REFLOW SOLDERING OVEN.

|             |  |  |  |            |  |                     |  |                                       |  |
|-------------|--|--|--|------------|--|---------------------|--|---------------------------------------|--|
| mat'l. code |  | surface 58 / tolerance ISO 1302 ✓ ISO 406 ISO 1101 |  | projection |  | product family 58RF |  | CODE JP                               |  |
| ltr         |  | ecn no   |  | dr         |  | date                |  | tolerances unless otherwise specified |  |
| A           |  |  |  |            |  |                     |  | mm                                    |  |
|             |  |  |  | angles     |  | linear              |  | ±0.2                                  |  |
|             |  |  |  |            |  |                     |  | scale X                               |  |
|             |  | dr   |  | S. Nishida |  | 2011-8-10           |  |                                       |  |
|             |  | enrg   |  | S. Nishida |  | 2011-8-10           |  |                                       |  |
|             |  | chr  |  | S. Nishida |  | 2011-8-10           |  |                                       |  |
|             |  | appd   |  | M. Nishida |  | AUG11/11            |  |                                       |  |
| sheet index |  | revision sheet                                     |  |            |  |                     |  | dwg no 10118875                       |  |
|             |  |  |  |            |  |                     |  | sheet 4 of 9 size A4                  |  |
|             |  |  |  |            |  |                     |  | type Product Customer Drawing         |  |
|             |  |  |  |            |  |                     |  | Rev. A                                |  |

CAT. NO. & DIMENSIONS

| NO. OF CONTACTS (n) | CAT. NO. (NOTE2)  | DIMENSIONS (NOTE3) |         |         |
|---------------------|-------------------|--------------------|---------|---------|
|                     |                   | E ± 5              | F ± 0.3 | G ± 0.1 |
| 4                   | SFW4R-3/4STE1HLF  | 20.4               | 16      | —       |
| 5                   | SFW5R-3/4STE1HLF  | 28.4               | 24      | —       |
| 6                   | SFW6R-3/4STE1HLF  | 28.4               | 24      | —       |
| 7                   | SFW7R-3/4STE1HLF  | 28.4               | 24      | —       |
| 8                   | SFW8R-3/4STE1HLF  | 28.4               | 24      | —       |
| 9                   | SFW9R-3/4STE1HLF  | 28.4               | 24      | —       |
| 10                  | SFW10R-3/4STE1HLF | 28.4               | 24      | —       |
| 11                  | SFW11R-3/4STE1HLF | 28.4               | 24      | —       |
| 12                  | SFW12R-3/4STE1HLF | 28.4               | 24      | —       |
| 13                  | SFW13R-3/4STE1HLF | 36.4               | 32      | 28.4    |
| 14                  | SFW14R-3/4STE1HLF | 36.4               | 32      | 28.4    |
| 15                  | SFW15R-3/4STE1HLF | 36.4               | 32      | 28.4    |
| 16                  | SFW16R-3/4STE1HLF | 36.4               | 32      | 28.4    |
| 17                  | SFW17R-3/4STE1HLF | 48.4               | 44      | 40.4    |
| 18                  | SFW18R-3/4STE1HLF | 48.4               | 44      | 40.4    |
| 19                  | SFW19R-3/4STE1HLF | 48.4               | 44      | 40.4    |
| 20                  | SFW20R-3/4STE1HLF | 48.4               | 44      | 40.4    |
| 21                  | SFW21R-3/4STE1HLF | 48.4               | 44      | 40.4    |
| 22                  | SFW22R-3/4STE1HLF | 48.4               | 44      | 40.4    |
| 23                  | SFW23R-3/4STE1HLF | 48.4               | 44      | 40.4    |
| 24                  | SFW24R-3/4STE1HLF | 48.4               | 44      | 40.4    |
| 25                  | SFW25R-3/4STE1HLF | 48.4               | 44      | 40.4    |
| 26                  | SFW26R-3/4STE1HLF | 48.4               | 44      | 40.4    |
| 27                  | SFW27R-3/4STE1HLF | 48.4               | 44      | 40.4    |
| 28                  | SFW28R-3/4STE1HLF | 60.4               | 56      | 52.4    |
| 29                  | SFW29R-3/4STE1HLF | 60.4               | 56      | 52.4    |
| 30                  | SFW30R-3/4STE1HLF | 60.4               | 56      | 52.4    |



NOTES

1. THIS PRODUCT IS THE CONNECTOR USED FOR FPC/FFC AND COPELS WITH AUTOMATIC MOUNTING (SMT).
2. THIS CATALOG NO. INDICATES PLASTIC TAPE PACKAGED CONNECTOR.
3. SEE PART DRAWINGS FOR DIMENSIONS E~G.
4. THIS PRODUCT IS THE CONNECTOR WITH CABLE LOCK MECHANISM.

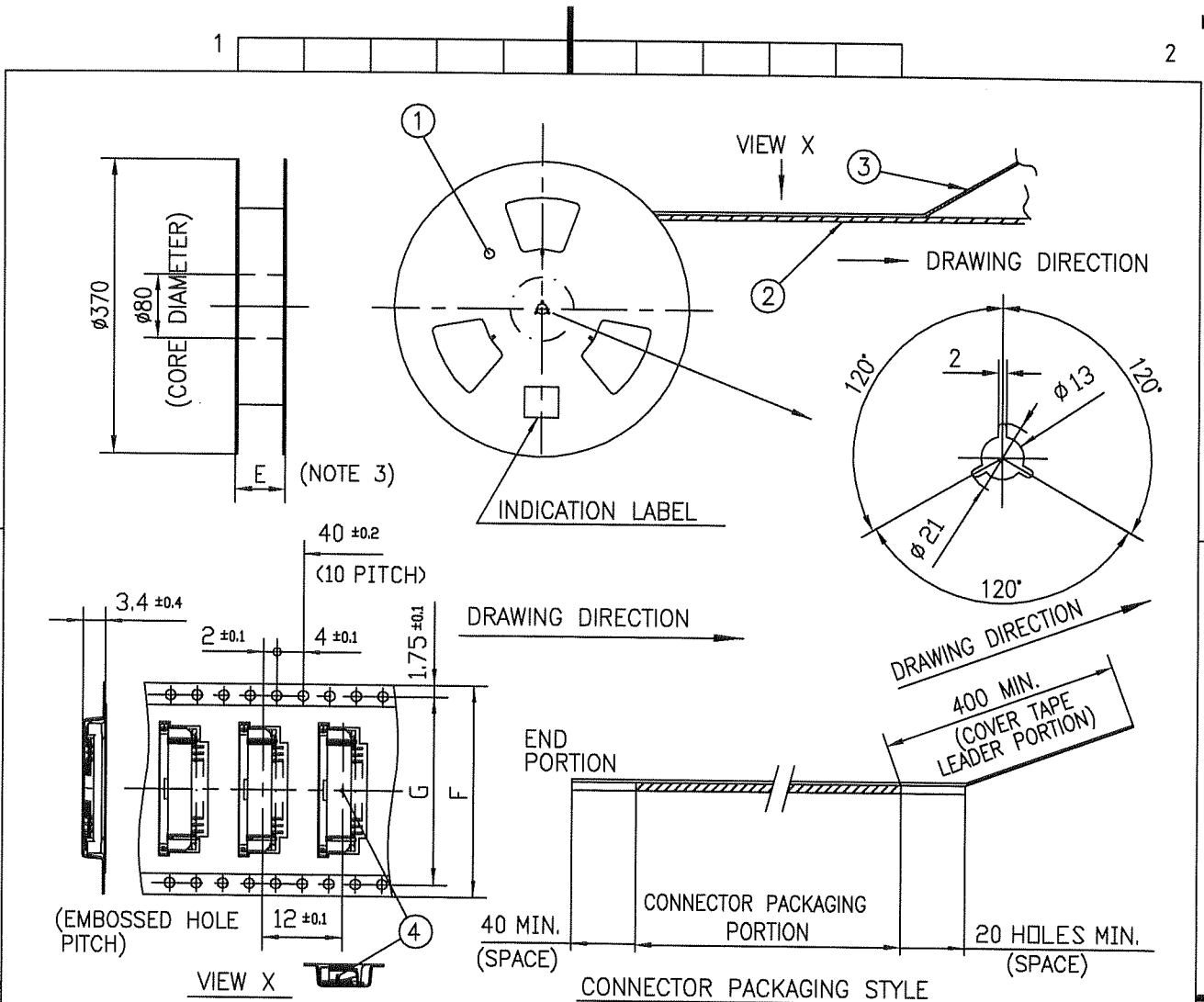
|             |  |  |  |            |  |                     |  |                                       |  |
|-------------|--|--|--|------------|--|---------------------|--|---------------------------------------|--|
| mat'l. code |  | surface 58 / tolerance ISO 1302 ✓ / ISO 406 / ISO 1101 |  | projection |  | product family 58RF |  | CODE JP                               |  |
| ltr         |  | ecn no   |  | dr         |  | date                |  | tolerances unless otherwise specified |  |
| A           |  |  |  |            |  |                     |  | angles linear                         |  |
|             |  |  |  |            |  |                     |  | mm                                    |  |
|             |  |  |  |            |  |                     |  | scale X                               |  |
|             |  |  |  | dr         |  | 2011-8-10           |  | sheet 5 of 9                          |  |
|             |  |  |  | enr        |  | 2011-8-10           |  | size A4                               |  |
|             |  |  |  | chr        |  | 2011-8-10           |  | 10118875                              |  |
|             |  |  |  | appd       |  | August 11           |  | type Product Customer Drawing         |  |
| sheet index |  | revision sheet   |  |            |  |                     |  | Rev. A                                |  |



FCIconnect.com

Copyright FCI.

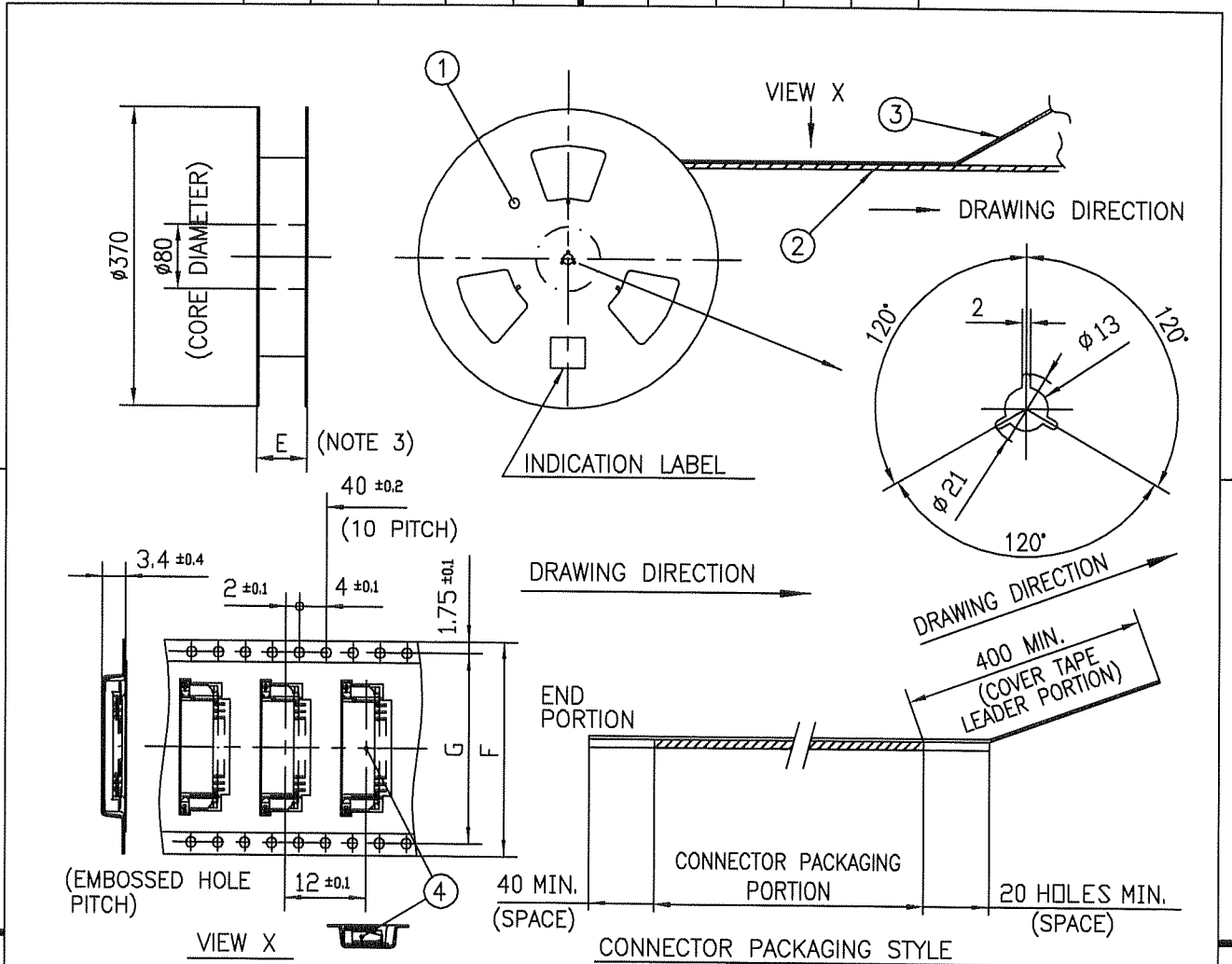




| PT. NO. | PARTS NAME            | CAT. NO.      | MATERIAL          | Q'TY | NOTE               |
|---------|-----------------------|---------------|-------------------|------|--------------------|
| 1       | REEL                  | ---           | CARDBOARD         | 1    | COLOR:WHITE        |
| 2       | PLASTIC (EMBOSS) TAPE | ---           | PET               | ---  | COLOR:TRANSPARENCY |
| 3       | COVER                 | ---           | POLYESTER         | ---  | COLOR:TRANSPARENCY |
| 4       | CONNECTOR             | SFW_R-3ST_HLF | SEE ATTACHED DWG. | 2000 | LOWER CONTACT TYPE |

- NOTES
- THIS IS PLASTIC TAPE PACKAGED CONNECTOR WITH CABLE LOCK MECHANISM USED FOR FPC/FFC AND COPES WITH AUTOMATIC MOUNTING (SMT).
  - SEE JIS C 0806 (PACKING OF ELECTRONIC COMPONENTS ON CONTINUOUS TAPES (SURFACE MOUNTING DEVICES)) FOR SHAPE AND DIMENSIONS OF PLASTIC (EMBOSS) TAPE AND REEL.
  - E DIMENSION IS PORTION OF THE CORE.

|             |  |  |  |            |  |                     |  |   |  |
|-------------|--|--|--|------------|--|---------------------|--|---|--|
| mat'l. code |  | surface 58 / tolerance ISO 1302 ✓ ISO 406 ISO 1101 |  | projection |  | product family 58RF |  | CODE JP   |  |
| ltr         |  | ecn no   |  | dr         |  | date                |  | tolerances unless otherwise specified   |  |
| A           |  |  |  |            |  |                     |  | angles linear ±5  |  |
|             |  |  |  |            |  |                     |  | mm  |  |
|             |  |  |  |            |  |                     |  | scale X   |  |
|             |  |  |  |            |  |                     |  | title   |  |
|             |  |  |  |            |  |                     |  | PLASTIC TAPE PACKAGED<br>1mm SPACING SMT CONNECTOR<br>(Cat. No. SFW_R-3STE1HLF) |  |
|             |  |  |  |            |  |                     |  | dwg no  |  |
|             |  |  |  |            |  |                     |  | sheet 6 of 9  |  |
|             |  |  |  |            |  |                     |  | 10118875  |  |
|             |  |  |  |            |  |                     |  | size A4   |  |
|             |  |  |  |            |  |                     |  | type Product Customer Drawing   |  |
| sheet index |  | revision sheet                                     |  |            |  |                     |  | Rev. A  |  |



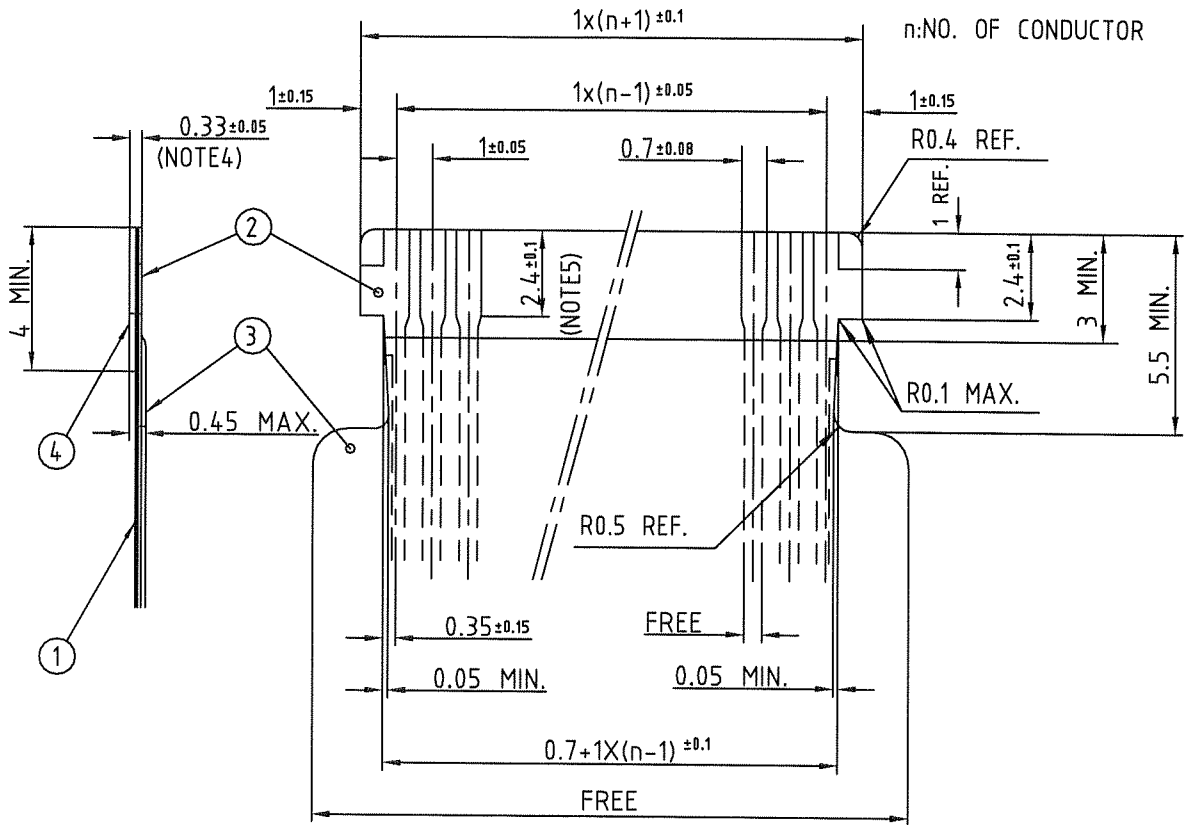
| PT. NO. | PARTS NAME            | CAT. NO.        | MATERIAL          | Q'TY  | NOTE               |
|---------|-----------------------|-----------------|-------------------|-------|--------------------|
| 1       | REEL                  | _____           | CARDBOARD         | 1     | COLOR:WHITE        |
| 2       | PLASTIC (EMBOSS) TAPE | _____           | PET               | _____ | COLOR:TRANSPARENCY |
| 3       | COVER                 | _____           | POLYESTER         | _____ | COLOR:TRANSPARENCY |
| 4       | CONNECTOR             | SFW__R-4ST__HLF | SEE ATTACHED DWG. | 2000  | UPPER CONTACT TYPE |

NOTES

1. THIS IS PLASTIC TAPE PACKAGED CONNECTOR WITH CABLE LOCK MECHANISM USED FOR FPC/FFC AND COPES WITH AUTOMATIC MOUNTING (SMT).
2. SEE JIS C 0806 (PACKING OF ELECTRONIC COMPONENTS ON CONTINUOUS TAPES (SURFACE MOUNTING DEVICES)) FOR SHAPE AND DIMENSIONS OF PLASTIC (EMBOSS) TAPE AND REEL.
3. E DIMENSION IS PORTION OF THE CORE.

|             |  |                                 |  |                    |  |                       |  |                                       |  |  |  |
|-------------|--|---------------------------------|--|--------------------|--|-----------------------|--|---------------------------------------|--|--|--|
| mat'l. code |  | surface 58 / tolerance ISO 1302 |  | ISO 406 / ISO 1101 |  | projection            |  | product family 58RF                   |  | CODE JP  |  |
| ltr         |  | ecn no                          |  | dr                 |  | date                  |  | tolerances unless otherwise specified |  | title  |  |
| A           |  |                                 |  |                    |  |                       |  | angles linear ±5                      |  | PLASTIC TAPE PACKAGED<br>1mm SPACING SMT CONNECTOR<br>(Cat. No. SFW__R-4STE1HLF) |  |
|             |  |                                 |  |                    |  |                       |  | ±5'                                   |  | mm   |  |
|             |  |                                 |  |                    |  |                       |  | scale                                 |  | X  |  |
|             |  |                                 |  | dr                 |  | S. M. T. S. 2011-8-10 |  | FCI                                   |  | dwg no sheet 7 of 9 size   |  |
|             |  |                                 |  | enr                |  | S. M. T. S. 2011-8-10 |  |                                       |  | 10118875 A4  |  |
|             |  |                                 |  | chr                |  | Z. Masane 2011-8-10   |  |                                       |  |  |  |
|             |  |                                 |  | appd               |  | M. U. M. Aug 11/11    |  |                                       |  |  |  |
| sheet index |  | revision sheet                  |  |                    |  |                       |  | type Product Customer Drawing         |  | Rev. A   |  |

RECOMMENDED CABLE (FPC)



| PT. NO. | PARTS NAME      | MATERIAL                               | THICKNESS (um) |
|---------|-----------------|--|----------------|
| 1       | BASE FILM       | POLYIMIDE OR POLYESTER OR EQUAL        | 25             |
| 2       | CONDUCTOR       | COPPER FOIL(PLATING : SOLDER 1um MIN.) | 35             |
| 3       | OVERLAY         | POLYIMIDE OR POLYESTER OR EQUAL        | —              |
| 4       | SUPPORTING TAPE | POLYESTER OR POLYIMIDE OR EQUAL        | 188            |

- NOTES
1. THIS DRAWING INDICATES THE FPC USED THE CONNECTOR WITH CABLE LOCK MECHANISM.
  2. NO BURR AT EACH PORTION.
  3. NO PEELING IN COMMON USE.
  4. TOTAL THICKNESS LIMIT OF EACH MATERIAL (INCLUDING ADHESIVE AGENT) IS SPECIFIED.
  5. THIS DIMENSION INDICATES THE RANGE FOR 0.7 ±0.08 CONDUCTOR WIDTH.

|                    |  |                |  |  |  |             |  |  |  |                   |  |  |
|--------------------|--|----------------|--|--|--|-------------|--|--|--|-------------------|--|--|
| mat'l. code        |  |                |  | surface 58 / tolerance ISO 1302 ✓ ISO 406 ISO 1101 |  | projection  |  | product family 58RF                        |  | CODE JP           |  |  |
| ltr ecn no dr date |  |                |  | tolerances unless otherwise specified              |  | <br>mm      |  | title                                      |  |                   |  |  |
| A                  |  |                |  | angles linear                                      |  | <br>scale X |  | RECOMMENDED CABLE<br>(Cat. No. SFW_R-3/4_) |  |                   |  |  |
| dr                 |  |                |  | S. Nishida 2011-8-10                               |  |             |  | dwg no                                     |  | sheet 8 of 9 size |  |  |
| enrg               |  |                |  | S. Nishida 2011-8-10                               |  |             |  | 10118875                                   |  | A4                |  |  |
| chr                |  |                |  | Z. J. J. 2011-8-10                                 |  |             |  | type Product Customer Drawing              |  |                   |  |  |
| appd               |  |                |  | M. V. M. AUG 11/11                                 |  |             |  |  |  |                   |  |  |
| sheet index        |  | revision sheet |  |  |  |             |  |  |  | Rev. A            |  |  |

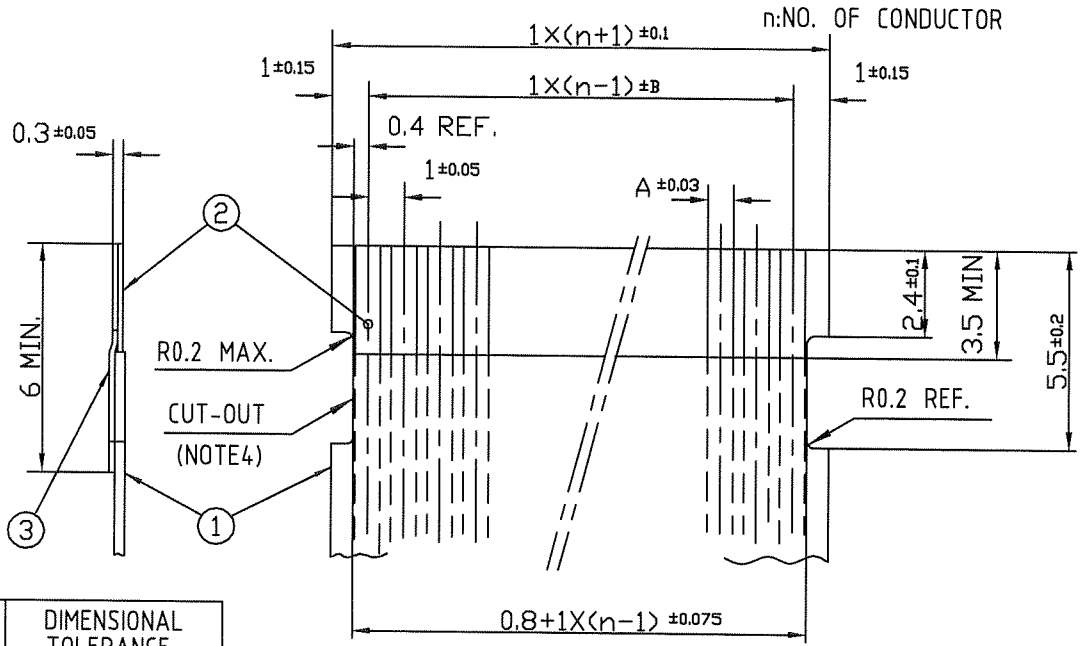


FCIconnect.com

Copyright FCI.



RECOMMENDED CABLE (FFC)



| KIND OF FFC (NOTES5) | DIMENSIONAL TOLERANCE |      |
|----------------------|-----------------------|------|
|                      | A                     | B    |
| 1                    | 0.7                   | 0.1  |
| 2                    | 0.6                   | 0.07 |

| PT. NO. | PARTS NAME      | MATERIAL                           | NOTE                              |
|---------|-----------------|------------------------------------|-----------------------------------|
| 1       | INSULATOR       | FLAME RESISTING POLYESTER OR EQUAL |                                   |
| 2       | CONDUCTOR       | COPPER FOIL                        | PLATING:TIN OR SOLDER<br>1um MIN. |
| 3       | SUPPORTING TAPE | FLAME RESISTING POLYESTER OR EQUAL |                                   |

- NOTES
1. THIS DRAWING INDICATES THE FFC USED THE CONNECTOR WITH CABLE LOCK MECHANISM.
  2. NO BURR AT EACH PORTION.
  3. NO PEELING IN COMMON USE.
  4. THERE IS A POSSIBILITY THAT THE CAT-OUT CROSSES THE CONDUCTOR BECAUSE OF DIMENSIONAL TOLERANCE.
  5. EITHER KIND1 OR KIND2 OF FFC CAN ACCEPT DIMENSIONAL TOLERANCE a AND b.

|             |  |  |  |            |  |                     |  |                                       |  |
|-------------|--|--|--|------------|--|---------------------|--|---------------------------------------|--|
| mat'l. code |  | surface 58 / tolerance ISO 1302 ✓ ISO 406 ISO 1101 |  | projection |  | product family 58RF |  | CODE JP                               |  |
| ltr         |  | ecn no   |  | dr         |  | date                |  | tolerances unless otherwise specified |  |
| A           |  |  |  |            |  |                     |  | angles linear                         |  |
|             |  |  |  |            |  |                     |  | mm                                    |  |
|             |  |  |  |            |  |                     |  | scale X                               |  |
|             |  | dr   |  | S-Metal    |  | 2011-8-10           |  | FCJ                                   |  |
|             |  | enr  |  | S-Metal    |  | 2011-8-10           |  | dwg no                                |  |
|             |  | chr  |  | S-Metal    |  | 2011-8-10           |  | sheet 9 of 9                          |  |
|             |  | appd   |  | M. L. L.   |  | 11/11               |  | size A4                               |  |
| sheet index |  | revision sheet                                     |  |            |  |                     |  | 10118875                              |  |
|             |  |  |  |            |  |                     |  | type Product Customer Drawing         |  |
|             |  |  |  |            |  |                     |  | Rev. A                                |  |

Компания «Океан Электроники» предлагает заключение долгосрочных отношений при поставках импортных электронных компонентов на взаимовыгодных условиях!

Наши преимущества:

- Поставка оригинальных импортных электронных компонентов напрямую с производств Америки, Европы и Азии, а так же с крупнейших складов мира;
- Широкая линейка поставок активных и пассивных импортных электронных компонентов (более 30 млн. наименований);
- Поставка сложных, дефицитных, либо снятых с производства позиций;
- Оперативные сроки поставки под заказ (от 5 рабочих дней);
- Экспресс доставка в любую точку России;
- Помощь Конструкторского Отдела и консультации квалифицированных инженеров;
- Техническая поддержка проекта, помощь в подборе аналогов, поставка прототипов;
- Поставка электронных компонентов под контролем ВП;
- Система менеджмента качества сертифицирована по Международному стандарту ISO 9001;
- При необходимости вся продукция военного и аэрокосмического назначения проходит испытания и сертификацию в лаборатории (по согласованию с заказчиком);
- Поставка специализированных компонентов военного и аэрокосмического уровня качества (Xilinx, Altera, Analog Devices, Intersil, Interpoint, Microsemi, Actel, Aeroflex, Peregrine, VPT, Syfer, Eurofarad, Texas Instruments, MS Kennedy, Miteq, Cobham, E2V, MA-COM, Hittite, Mini-Circuits, General Dynamics и др.);

Компания «Океан Электроники» является официальным дистрибьютором и эксклюзивным представителем в России одного из крупнейших производителей разъемов военного и аэрокосмического назначения «JONHON», а так же официальным дистрибьютором и эксклюзивным представителем в России производителя высокотехнологичных и надежных решений для передачи СВЧ сигналов «FORSTAR».



## JONHON

«JONHON» (основан в 1970 г.)

Разъемы специального, военного и аэрокосмического назначения:

(Применяются в военной, авиационной, аэрокосмической, морской, железнодорожной, горно- и нефтедобывающей отраслях промышленности)

«FORSTAR» (основан в 1998 г.)

ВЧ соединители, коаксиальные кабели,  
кабельные сборки и микроволновые компоненты:

(Применяются в телекоммуникациях гражданского и специального назначения, в средствах связи, РЛС, а так же военной, авиационной и аэрокосмической отраслях промышленности).



Телефон: 8 (812) 309-75-97 (многоканальный)

Факс: 8 (812) 320-03-32

Электронная почта: [ocean@oceanchips.ru](mailto:ocean@oceanchips.ru)

Web: <http://oceanchips.ru/>

Адрес: 198099, г. Санкт-Петербург, ул. Калинина, д. 2, корп. 4, лит. А