
7-Port Gigabit Ethernet Switch with SGMII and RGMII/MII/RMII Interfaces

Highlights

- One port with 10/100/1000 Ethernet MAC and SGMII interface
- One port with 10/100/1000 Ethernet MAC and configurable RGMII/MII/RMII interface
- IEEE 802.1X access control support
- Five ports with integrated 10/100/1000BASE-T PHY transceivers
- Non-blocking wire-speed Ethernet switching fabric
- Full-featured forwarding and filtering control, including Access Control List (ACL) filtering
- Full VLAN and QoS support
- EtherGreen™ power management features, including low power standby
- Flexible management interface options: SPI, I²C, MIIM, and in-band management via any port
- Commercial/Industrial temperature range support
- 128-pin TQFP-EP (14 x 14mm) RoHS compliant pkg

Target Applications

- Stand-alone 10/100/1000Mbps Ethernet switches
- VoIP infrastructure switches
- Broadband gateways/firewalls
- Wi-Fi access points
- Integrated DSL/cable modems
- Security/surveillance systems
- Industrial control/automation switches
- Networked measurement and control systems

Features

- Switch Management Capabilities
 - 10/100/1000Mbps Ethernet switch basic functions: frame buffer management, address look-up table, queue management, MIB counters
 - Non-blocking store-and-forward switch fabric assures fast packet delivery by utilizing 4096 entry forwarding table with 256kByte frame buffer
 - Jumbo packet support up to 9000 bytes
 - Port mirroring/monitoring/sniffing: ingress and/or egress traffic to any port
 - MIB counters for fully-compliant statistics gathering 34 counters per port
 - Tail tagging mode (one byte added before FCS) support at host port to inform the processor which ingress port receives the packet and its priority
 - Loopback modes for remote failure diagnostics
 - Rapid spanning tree protocol (RSTP) support for topology management and ring/linear recovery
 - Multiple spanning tree protocol (MSTP) support

- One External MAC Port with SGMII
- One External MAC Port with RGMII/MII/RMII
 - RGMII v2.0, RMII v1.2 with 50MHz reference clock input/output option, MII in PHY/MAC mode
- Five Integrated PHY Ports
 - 1000BASE-T/100BASE-TX/10BASE-Te IEEE 802.3
 - Fast Link-up option significantly reduces link-up time
 - Auto-negotiation and Auto-MDI/MDI-X support
 - On-chip termination resistors and internal biasing for differential pairs to reduce power
 - LinkMD® cable diagnostic capabilities for determining cable opens, shorts, and length
- Advanced Switch Capabilities
 - IEEE 802.1Q VLAN support for 128 active VLAN groups and the full range of 4096 VLAN IDs
 - IEEE 802.1p/Q tag insertion/removal on per port basis
 - VLAN ID on per port or VLAN basis
 - IEEE 802.3x full-duplex flow control and half-duplex back pressure collision control
 - IEEE 802.1X access control (Port-based and MAC address based)
 - IGMP v1/v2/v3 snooping for multicast packet filtering
 - IPv6 multicast listener discovery (MLD) snooping
 - IPv4/IPv6 QoS support, QoS/CoS packet prioritization
 - 802.1p QoS packet classification with 4 priority queues
 - Programmable rate limiting at ingress/egress ports
 - Broadcast storm protection
 - Four priority queues with dynamic packet mapping for IEEE 802.1p, IPv4 DIFFSERV, IPv6 Traffic Class
 - MAC filtering function to filter or forward unknown unicast, multicast and VLAN packets
 - Self-address filtering for implementing ring topologies
- Comprehensive Configuration Registers Access
 - High-speed 4-wire SPI (up to 50MHz), I²C interfaces provide access to all internal registers
 - MII Management (MIIM, MDC/MDIO 2-wire) Interface provides access to all PHY registers
 - In-band management via any of the data ports
 - I/O pin strapping facility to set certain register bits from I/O pins at reset time
 - On-the-fly configurable control registers
- Power Management
 - Energy detect power-down mode on cable disconnect
 - Dynamic clock tree control
 - Unused ports can be individually powered down
 - Full-chip software power-down
 - Wake-on-LAN (WoL) standby power mode with PME interrupt output for system wake upon triggered events

TO OUR VALUED CUSTOMERS

It is our intention to provide our valued customers with the best documentation possible to ensure successful use of your Microchip products. To this end, we will continue to improve our publications to better suit your needs. Our publications will be refined and enhanced as new volumes and updates are introduced.

If you have any questions or comments regarding this publication, please contact the Marketing Communications Department via E-mail at docerrors@microchip.com. We welcome your feedback.

Most Current Documentation

To obtain the most up-to-date version of this documentation, please register at our Worldwide Web site at:

<http://www.microchip.com>

You can determine the version of a data sheet by examining its literature number found on the bottom outside corner of any page. The last character of the literature number is the version number, (e.g., DS30000000A is version A of document DS30000000).

Errata

An errata sheet, describing minor operational differences from the data sheet and recommended workarounds, may exist for current devices. As device/documentation issues become known to us, we will publish an errata sheet. The errata will specify the revision of silicon and revision of document to which it applies.

To determine if an errata sheet exists for a particular device, please check with one of the following:

- Microchip's Worldwide Web site; <http://www.microchip.com>
- Your local Microchip sales office (see last page)

When contacting a sales office, please specify which device, revision of silicon and data sheet (include -literature number) you are using.

Customer Notification System

Register on our web site at www.microchip.com to receive the most current information on all of our products.

Table of Contents

1.0 Preface	4
2.0 Introduction	8
3.0 Pin Descriptions and Configuration	9
4.0 Functional Description	18
5.0 Device Registers	61
6.0 Operational Characteristics	171
7.0 Design Guidelines	186
8.0 Package Information	189
Appendix A: Data Sheet Revision History	191
The Microchip Web Site	192
Customer Change Notification Service	192
Customer Support	192
Product Identification System	193

KSZ9897S

1.0 PREFACE

1.1 Glossary of Terms

TABLE 1-1: GENERAL TERMS

Term	Description
10BASE-Te	10 Mbps Ethernet, 2.5V signaling, IEEE 802.3 compliant
100BASE-TX	100 Mbps Fast Ethernet, IEEE 802.3u compliant
1000BASE-T	1000 Mbps Gigabit Ethernet, IEEE 802.3ab compliant
ADC	Analog-to-Digital Converter
AN	Auto-Negotiation
BLW	Baseline Wander
BPDU	Bridge Protocol Data Unit. Messages which carry the Spanning Tree Protocol information.
Byte	8 bits
CRC	Cyclic Redundancy Check. A common technique for detection data transmission errors. CRC for Ethernet is 32 bits long.
CSR	Control and Status Registers
DA	Destination Address
DWORD	32 bits
FCS	Frame Check Sequence. The extra checksum characters added to the end of an Ethernet frame, used for error detection and correction.
FID	Frame or Filter ID. Specifies the frame identifier. Alternately is the filter identifier.
FIFO	First In First Out buffer
FSM	Finite State Machine
GPIO	General Purpose I/O
Host	External system (Includes processor, application software, etc.)
IGMP	Internet Group Management Protocol. Defined by RFC 1112, RFC 2236, and RFC 4604 to establish multicast group membership in IPv4 networks.
IPG	Inter-Packet Gap. A time delay between successive data packets mandated by the network standard for protocol reasons.
Jumbo Packet	A packet larger than the standard Ethernet packet (1518 bytes). Large packet sizes allow for more efficient use of bandwidth, lower overhead, less processing, etc.
Isb	Least Significant Bit
LSB	Least Significant Byte
MAC	Media Access Controller. A functional block responsible for implementing the media access control layer, which is a sublayer of the data link layer.
MDI	Medium Dependent Interface. An Ethernet port connection that allows network hubs or switches to connect to other hubs or switches without a null-modem, or crossover, cable.
MDIX	Media Independent Interface with Crossover. An Ethernet port connection that allows networked end stations (i.e., PCs or workstations) to connect to each other using a null-modem, or crossover, cable.
MIB	Management Information Base. The MIB comprises the management portion of network devices. This can include monitoring traffic levels and faults (statistical), and can also change operating parameters in network nodes (static forwarding addresses).
MII	Media Independent Interface. The MII accesses PHY registers as defined in the IEEE 802.3 specification.
MIIM	Media Independent Interface Management

TABLE 1-1: GENERAL TERMS (CONTINUED)

Term	Description
MLD	Multicast Listening Discovery. This protocol is defined by RFC 3810 and RFC 4604 to establish multicast group membership in IPv6 networks.
MLT-3	Multi-Level Transmission Encoding (3-Levels). A tri-level encoding method where a change in the logic level represents a code bit "1" and the logic output remaining at the same level represents a code bit "0".
msb	Most Significant Bit
MSB	Most Significant Byte
NRZ	Non Return to Zero. A type of signal data encoding whereby the signal does not return to a zero state in between bits.
NRZI	Non Return to Zero Inverted. This encoding method inverts the signal for a "1" and leaves the signal unchanged for a "0"
N/A	Not Applicable
NC	No Connect
OUI	Organizationally Unique Identifier
PHY	A device or function block which performs the physical layer interface function in a network.
PLL	Phase Locked Loop. A electronic circuit that controls an oscillator so that it maintains a constant phase angle (i.e., lock) on the frequency of an input, or reference, signal.
RESERVED	Refers to a reserved bit field or address. Unless otherwise noted, reserved bits must always be zero for write operations. Unless otherwise noted, values are not guaranteed when reading reserved bits. Unless otherwise noted, do not read or write to reserved addresses.
RTC	Real-Time Clock
SA	Source Address
SFD	Start of Frame Delimiter. The 8-bit value indicating the end of the preamble of an Ethernet frame.
SQE	Signal Quality Error (also known as "heartbeat")
SSD	Start of Stream Delimiter
TCP	Transmission Control Protocol
UDP	User Datagram Protocol - A connectionless protocol run on top of IP networks
UTP	Unshielded Twisted Pair. Commonly a cable containing 4 twisted pairs of wire.
UUID	Universally Unique Identifier
VLAN	Virtual Local Area Network
WORD	16 bits

KSZ9897S

1.2 Buffer Types

TABLE 1-2: BUFFER TYPES

Buffer Type	Description
I	Input
IPU	Input with internal pull-up (58 k Ω \pm 30%)
IPU/O	Input with internal pull-up (58 k Ω \pm 30%) during power-up/reset; output pin during normal operation
IPD	Input with internal pull-down (58 k Ω \pm 30%)
IPD/O	Input with internal pull-down (58 k Ω \pm 30%) during power-up/reset; output pin during normal operation
O8	Output with 8 mA sink and 8 mA source
O24	Output with 24 mA sink and 24 mA source
OPU	Output (8mA) with internal pull-up (58 k Ω \pm 30%)
OPD	Output (8mA) with internal pull-down (58 k Ω \pm 30%)
SGMII-I	SGMII Input
SGMII-O	SGMII Output
AIO	Analog bidirectional
ICLK	Crystal oscillator input pin
OCLK	Crystal oscillator output pin
P	Power
GND	Ground

Note: Refer to [Section 6.3, "Electrical Characteristics,"](#) on page 172 for the electrical characteristics of the various buffers.

1.3 Register Nomenclature

TABLE 1-3: REGISTER NOMENCLATURE

Register Bit Type Notation	Register Bit Description
R	Read: A register or bit with this attribute can be read.
W	Write: A register or bit with this attribute can be written.
RO	Read only: Read only. Writes have no effect.
RC	Read to Clear: Contents is cleared after the read. Writes have no effect.
WO	Write only: If a register or bit is write-only, reads will return unspecified data.
WC	Write One to Clear: Writing a one clears the value. Writing a zero has no effect.
LL	Latch Low: Applies to certain RO status bits. If a status condition causes this bit to go low, it will maintain the low state until read, even if the status condition changes. A read clears the latch, allowing the bit to go high if dictated by the status condition.
LH	Latch High: Applies to certain RO status bits. If a status condition causes this bit to go high, it will maintain the high state until read, even if the status condition changes. A read clears the latch, allowing the bit to go low if dictated by the status condition.
SC	Self-Clearing: Contents are self-cleared after the being set. Writes of zero have no effect. Contents can be read.
RESERVED	Reserved Field: Reserved fields must be written with zeros, unless otherwise indicated, to ensure future compatibility. The value of reserved bits is not guaranteed on a read.

1.4 References

- NXP I²C-Bus Specification (UM10204, April 4, 2014): www.nxp.com/documents/user_manual/UM10204.pdf

KSZ9897S

2.0 INTRODUCTION

2.1 General Description

The KSZ9897S is a highly-integrated, IEEE 802.3 compliant networking device that incorporates a layer-2 managed Gigabit Ethernet switch, five 10BASE-T_e/100BASE-T_X/1000BASE-T physical layer transceivers (PHYs) and associated MAC units, and two individually configurable MAC ports (one SGMII interface, one RGMII/MII/RMII interface) for direct connection to a host processor/controller, another Ethernet switch, or an Ethernet PHY transceiver. The SGMII port may be connected to a fiber optic transceiver.

The KSZ9897S is built upon industry-leading Ethernet technology, with features designed to offload host processing and streamline the overall design:

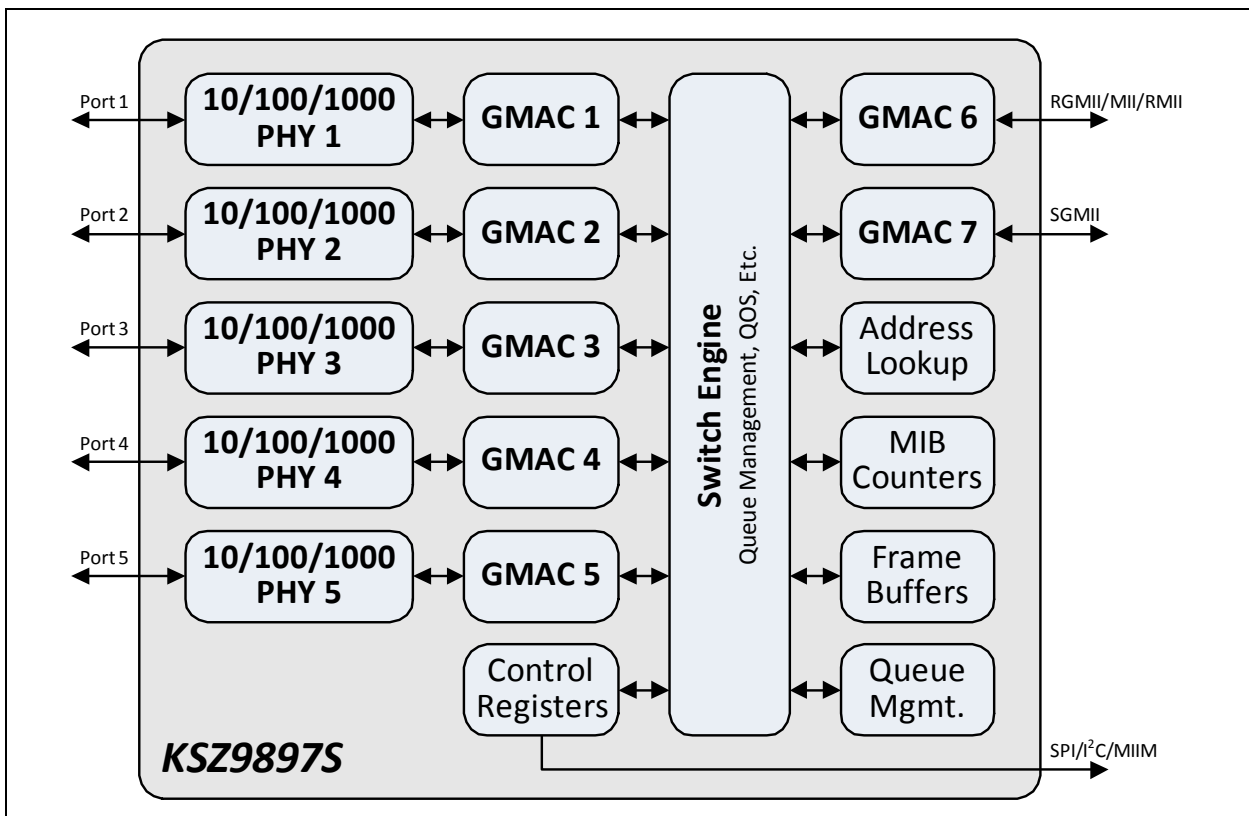
- Non-blocking wire-speed Ethernet switch fabric
- Full-featured forwarding and filtering control, including port-based Access Control List (ACL) filtering
- Full VLAN and QoS support
- Traffic prioritization with per-port ingress/egress queues and by traffic classification
- Spanning Tree support
- IEEE 802.1X access control support

A host processor can access all KSZ9897S registers for control over all PHY, MAC, and switch functions. Full register access is available via the integrated SPI or I²C interfaces, and by in-band management via any one of the data ports. PHY register access is provided by a MIIM interface. Flexible digital I/O voltage allows the MAC port to interface directly with a 1.8/2.5/3.3V host processor/controller/FPGA.

Additionally, a robust assortment of power-management features including Wake-on-LAN (WoL) for low power standby operation, have been designed to satisfy energy-efficient system requirements.

The KSZ9897S is available in commercial (0°C to +70°C) and industrial (-40°C to +85°C) temperature ranges. An internal block diagram of the KSZ9897S is shown in [Figure 2-1](#).

FIGURE 2-1: INTERNAL BLOCK DIAGRAM

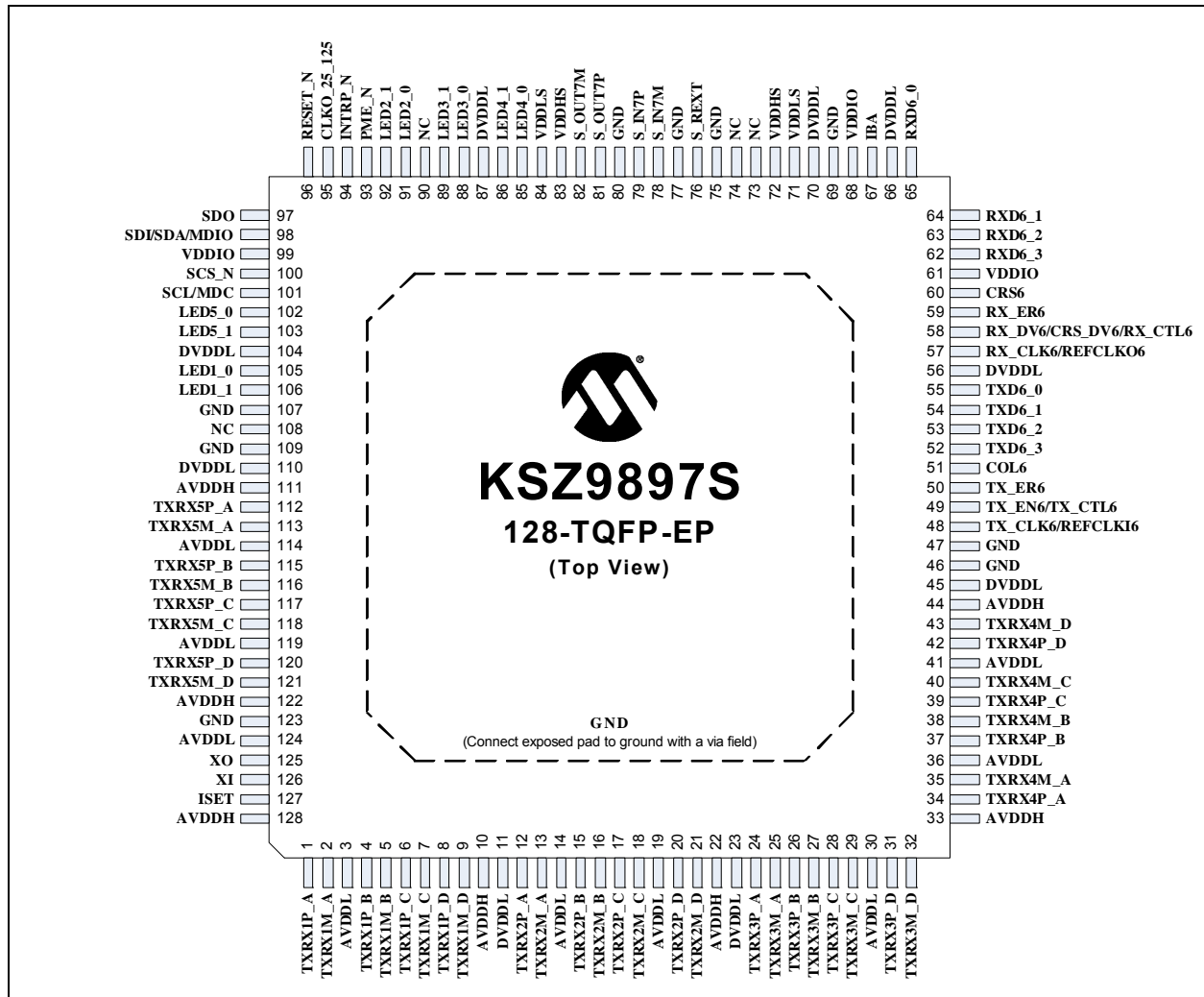


3.0 PIN DESCRIPTIONS AND CONFIGURATION

3.1 Pin Assignments

The device pin diagram for the KSZ9897S can be seen in [Figure 3-1](#). [Table 3-1](#) provides a KSZ9897S pin assignment table. Pin descriptions are provided in [Section 3.2, "Pin Descriptions"](#).

FIGURE 3-1: PIN ASSIGNMENTS (TOP VIEW)



Note: When an “_N” is used at the end of the signal name, it indicates that the signal is active low. For example, **RESET_N** indicates that the reset signal is active low.

The buffer type for each signal is indicated in the “Buffer Type” column of the pin description tables in [Section 3.2, "Pin Descriptions"](#). A description of the buffer types is provided in [Section 1.2, "Buffer Types"](#).

KSZ9897S

TABLE 3-1: PIN ASSIGNMENTS

Pin	Pin Name	Pin	Pin Name	Pin	Pin Name	Pin	Pin Name
1	TXRX1P_A	33	AVDDH	65	RXD6_0 (Note 3-1)	97	SDO
2	TXRX1M_A	34	TXRX4P_A	66	DVDDL	98	SDI/SDA/MDIO
3	AVDDL	35	TXRX4M_A	67	IBA (Note 3-1)	99	VDDIO
4	TXRX1P_B	36	AVDDL	68	VDDIO	100	SCS_N
5	TXRX1M_B	37	TXRX4P_B	69	GND	101	SCL/MDC
6	TXRX1P_C	38	TXRX4M_B	70	DVDDL	102	LED5_0
7	TXRX1M_C	39	TXRX4P_C	71	VDDLS	103	LED5_1 (Note 3-1)
8	TXRX1P_D	40	TXRX4M_C	72	VDDHS	104	DVDDL
9	TXRX1M_D	41	AVDDL	73	NC	105	LED1_0
10	AVDDH	42	TXRX4P_D	74	NC	106	LED1_1 (Note 3-1)
11	DVDDL	43	TXRX4M_D	75	GND	107	GND
12	TXRX2P_A	44	AVDDH	76	S_REXT	108	NC
13	TXRX2M_A	45	DVDDL	77	GND	109	GND
14	AVDDL	46	GND	78	S_IN7M	110	DVDDL
15	TXRX2P_B	47	GND	79	S_IN7P	111	AVDDH
16	TXRX2M_B	48	TX_CLK6/REFCLKI6	80	GND	112	TXRX5P_A
17	TXRX2P_C	49	TX_EN6/TX_CTL6	81	S_OUT7P	113	TXRX5M_A
18	TXRX2M_C	50	TX_ER6	82	S_OUT7M	114	AVDDL
19	AVDDL	51	COL6	83	VDDHS	115	TXRX5P_B
20	TXRX2P_D	52	TXD6_3	84	VDDLS	116	TXRX5M_B
21	TXRX2M_D	53	TXD6_2	85	LED4_0 (Note 3-1)	117	TXRX5P_C
22	AVDDH	54	TXD6_1	86	LED4_1 (Note 3-1)	118	TXRX5M_C
23	DVDDL	55	TXD6_0	87	DVDDL	119	AVDDL
24	TXRX3P_A	56	DVDDL	88	LED3_0	120	TXRX5P_D
25	TXRX3M_A	57	RX_CLK6/REFCLKO6	89	LED3_1 (Note 3-1)	121	TXRX5M_D
26	TXRX3P_B	58	RX_DV6/CRS_DV6/ RX_CTL6	90	NC	122	AVDDH
27	TXRX3M_B	59	RX_ER6	91	LED2_0 (Note 3-1)	123	GND
28	TXRX3P_C	60	CRS6	92	LED2_1 (Note 3-1)	124	AVDDL
29	TXRX3M_C	61	VDDIO	93	PME_N	125	XO
30	AVDDL	62	RXD6_3 (Note 3-1)	94	INTRP_N	126	XI
31	TXRX3P_D	63	RXD6_2 (Note 3-1)	95	CLKO_25_125	127	ISSET
32	TXRX3M_D	64	RXD6_1 (Note 3-1)	96	RESET_N	128	AVDDH

Exposed Pad Must be Connected to GND

Note 3-1 This pin provides configuration strap functions during hardware/software resets. Refer to [Section 3.2.1, "Configuration Straps"](#) for additional information.

3.2 Pin Descriptions

This sections details the functions of the various device signals.

TABLE 3-2: PIN DESCRIPTIONS

Name	Symbol	Buffer Type	Description
Ports 5-1 Gigabit Ethernet Pins			
Port 5-1 Ethernet TX/RX Pair A +	TXRX[5:1]P_A	AIO	Port 5-1 1000BASE-T Differential Data Pair A (+) Note: 100BASE-TX and 10BASE-Te are also supported on the A and B pairs.
Port 5-1 Ethernet TX/RX Pair A -	TXRX[5:1]M_A	AIO	Port 5-1 1000BASE-T Differential Data Pair A (-) Note: 100BASE-TX and 10BASE-Te are also supported on the A and B pairs.
Port 5-1 Ethernet TX/RX Pair B +	TXRX[5:1]P_B	AIO	Port 5-1 1000BASE-T Differential Data Pair B (+) Note: 100BASE-TX and 10BASE-Te are also supported on the A and B pairs.
Port 5-1 Ethernet TX/RX Pair B -	TXRX[5:1]M_B	AIO	Port 5-1 1000BASE-T Differential Data Pair B (-) Note: 100BASE-TX and 10BASE-Te are also supported on the A and B pairs.
Port 5-1 Ethernet TX/RX Pair C +	TXRX[5:1]P_C	AIO	Port 5-1 1000BASE-T Differential Data Pair C (+)
Port 5-1 Ethernet TX/RX Pair C -	TXRX[5:1]M_C	AIO	Port 5-1 1000BASE-T Differential Data Pair C (-)
Port 5-1 Ethernet TX/RX Pair D +	TXRX[5:1]P_D	AIO	Port 5-1 1000BASE-T Differential Data Pair D (+)
Port 5-1 Ethernet TX/RX Pair D -	TXRX[5:1]M_D	AIO	Port 5-1 1000BASE-T Differential Data Pair D (-)
Port 6 RGMII/MII/RMII Pins			
Port 6 Transmit/Reference Clock	TX_CLK6/ REFCLKI6	I/O8	MII Mode: TX_CLK6 is the Port 6 25/2.5MHz Transmit Clock. In PHY mode this pin is an output, in MAC mode it is an input. RMII Mode: REFCLKI6 is the Port 6 50MHz Reference Clock input when in RMII Normal mode. This pin is unused when in RMII Clock mode. RGMII Mode: TX_CLK6 is the Port 6 125/25/2.5MHz Transmit Clock input.
Port 6 Transmit Enable/Control	TX_EN6/ TX_CTL6	IPD	MII/RMII Modes: TX_EN6 is the Port 6 Transmit Enable. RGMII Mode: TX_CTL6 is the Port 6 Transmit Control.
Port 6 Transmit Error	TX_ER6	IPD	MII Mode: Port 6 Transmit Error input. RMII/RGMII Modes: Not used. Do not connect this pin in these modes of operation.

KSZ9897S

TABLE 3-2: PIN DESCRIPTIONS (CONTINUED)

Name	Symbol	Buffer Type	Description
Port 6 Collision Detect	COL6	IPD/O8	MII Mode: Port 6 Collision Detect. In PHY mode this pin is an output, in MAC mode it is an input. RMII/RGMII Modes: Not used. Do not connect this pin in these modes of operation.
Port 6 Transmit Data 3	TXD6_3	IPD	MII/RGMII Modes: Port 6 Transmit Data bus bit 3. RMII Mode: Not used. Do not connect this pin in this mode of operation.
Port 6 Transmit Data 2	TXD6_2	IPD	MII/RGMII Modes: Port 6 Transmit Data bus bit 2. RMII Mode: Not used. Do not connect this pin in this mode of operation.
Port 6 Transmit Data 1	TXD6_1	IPD	MII/RMII/RGMII Modes: Port 6 Transmit Data bus bit 1.
Port 6 Transmit Data 0	TXD6_0	IPD	MII/RMII/RGMII Modes: Port 6 Transmit Data bus bit 0.
Port 6 Receive/Reference Clock	RX_CLK6/ REFCLKO6	I/O24	MII Mode: RX_CLK6 is the Port 6 25/2.5MHz Receive Clock. In PHY mode this pin is an output, in MAC mode it is an input. RMII Mode: REFCLKO6 is the Port 6 50MHz Reference Clock output when in RMII Clock mode. This pin is unused when in RMII Normal mode. RGMII Mode: RX_CLK6 is the Port 6 125/25/2.5MHz Receive Clock output.
Port 6 Receive Data Valid / Carrier Sense / Control	RX_DV6/ CRS_DV6/ RX_CTL6	IPD/O24	MII Mode: RX_DV6 is the Port 6 Received Data Valid output. RMII Mode: CRS_DV6 is the Carrier Sense / Receive Data Valid output. RGMII Mode: RX_CTL6 is the Receive Control output.
Port 6 Receive Error	RX_ER6	IPD/O24	MII Mode: Port 6 Receive Error output. RMII/RGMII Modes: Not used. Do not connect this pin in these modes of operation.
Port 6 Carrier Sense	CRS6	IPD/O8	MII Mode: Port 6 Carrier Sense. In PHY mode this pin is an output, in MAC mode it is an input. RMII/RGMII Modes: Not used. Do not connect this pin in these modes of operation.

TABLE 3-2: PIN DESCRIPTIONS (CONTINUED)

Name	Symbol	Buffer Type	Description
Port 6 Receive Data 3	RXD6_3	IPD/O24	<p>MII/RGMII Modes: Port 6 Receive Data bus bit 3.</p> <p>RMII Mode: Not used. Do not connect this pin in this mode of operation.</p> <p>Note: This pin also provides configuration strap functions during hardware/software resets. Refer to Section 3.2.1, "Configuration Straps" for additional information.</p>
Port 6 Receive Data 2	RXD6_2	IPD/O24	<p>MII/RGMII Modes: Port 6 Receive Data bus bit 2.</p> <p>RMII Mode: Not used. Do not connect this pin in this mode of operation.</p> <p>Note: This pin also provides configuration strap functions during hardware/software resets. Refer to Section 3.2.1, "Configuration Straps" for additional information.</p>
Port 6 Receive Data 1	RXD6_1	IPD/O24	<p>MII/RMII/RGMII Modes: Port 6 Receive Data bus bit 1.</p> <p>Note: This pin also provides configuration strap functions during hardware/software resets. Refer to Section 3.2.1, "Configuration Straps" for additional information.</p>
Port 6 Receive Data 0	RXD6_0	IPD/O24	<p>MII/RMII/RGMII Modes: Port 6 Receive Data bus bit 0.</p> <p>Note: This pin also provides configuration strap functions during hardware/software resets. Refer to Section 3.2.1, "Configuration Straps" for additional information.</p>
Port 7 SGMII Pins			
Port 7 SGMII Differential Input Data +	S_IN7P	SGMII-I	Port 7 SGMII Differential Input Data +
Port 7 SGMII Differential Input Data -	S_IN7M	SGMII-I	Port 7 SGMII Differential Input Data -
Port 7 SGMII Differential Output Data +	S_OUT7P	SGMII-O	Port 7 SGMII Differential Output Data +
Port 7 SGMII Differential Output Data -	S_OUT7M	SGMII-O	Port 7 SGMII Differential Output Data -
Port 7 SGMII Reference Resistor	S_REXT	A	SGMII reference resistor. Connect a 191Ω 1% resistor between this pin and GND using a short trace to avoid noise coupling.
SPI/I²C/MIIM Interface Pins			
SPI/I ² C/MIIM Serial Clock	SCL/MDC	IPU	<p>SPI/I²C Modes: SCL serial clock.</p> <p>MIIM Mode: MDC serial clock.</p>
SPI Data Out	SDO	O8	<p>SPI Mode: Data out (also known as MISO).</p> <p>I²C/MIIM Modes: Not used.</p>

KSZ9897S

TABLE 3-2: PIN DESCRIPTIONS (CONTINUED)

Name	Symbol	Buffer Type	Description
SPI Data In / I ² C/MIIM Data In/Out	SDI/SDA/MDIO	IPU/O8	<p>SPI Mode: SDI Data In (also known as MOSI).</p> <p>I²C Mode: SDA Data In/Out.</p> <p>MIIM Mode: MDIO Data In/Out.</p> <p>SDI and MDIO are open-drain signals when in the output state. An external pull-up resistor to VDDIO (1.0kΩ to 4.7kΩ) is required.</p>
SPI Chip Select	SCS_N	IPU	<p>SPI Mode: Chip Select (active low).</p> <p>I²C/MIIM Modes: Not used.</p>
LED Pins			
Port 1 LED Indicator 0	LED1_0	IPU/O8	<p>Port 1 LED Indicator 0. Active low output sinks current to light an external LED.</p>
Port 1 LED Indicator 1	LED1_1	IPU/O8	<p>Port 1 LED Indicator 1. Active low output sinks current to light an external LED.</p> <p>Note: This pin also provides configuration strap functions during hardware/software resets. Refer to Section 3.2.1, "Configuration Straps" for additional information.</p>
Port 2 LED Indicator 0	LED2_0	IPU/O8	<p>Port 2 LED Indicator 0. Active low output sinks current to light an external LED.</p> <p>Note: This pin also provides configuration strap functions during hardware/software resets. Refer to Section 3.2.1, "Configuration Straps" for additional information.</p>
Port 2 LED Indicator 1	LED2_1	IPU/O8	<p>Port 2 LED Indicator 1. Active low output sinks current to light an external LED.</p> <p>Note: This pin also provides configuration strap functions during hardware/software resets. Refer to Section 3.2.1, "Configuration Straps" for additional information.</p>
Port 3 LED Indicator 0	LED3_0	IPU/O8	<p>Port 3 LED Indicator 0. Active low output sinks current to light an external LED.</p>
Port 3 LED Indicator 1	LED3_1	IPU/O8	<p>Port 3 LED Indicator 1. Active low output sinks current to light an external LED.</p> <p>Note: This pin also provides configuration strap functions during hardware/software resets. Refer to Section 3.2.1, "Configuration Straps" for additional information.</p>
Port 4 LED Indicator 0	LED4_0	IPU/O8	<p>Port 4 LED Indicator 0. Active low output sinks current to light an external LED.</p> <p>Note: This pin also provides configuration strap functions during hardware/software resets. Refer to Section 3.2.1, "Configuration Straps" for additional information.</p>

TABLE 3-2: PIN DESCRIPTIONS (CONTINUED)

Name	Symbol	Buffer Type	Description
Port 4 LED Indicator 1	LED4_1	IPU/O8	Port 4 LED Indicator 1. Active low output sinks current to light an external LED. Note: This pin also provides configuration strap functions during hardware/software resets. Refer to Section 3.2.1, "Configuration Straps" for additional information.
Port 5 LED Indicator 0	LED5_0	IPU/O8	Port 5 LED Indicator 0. Active low output sinks current to light an external LED.
Port 5 LED Indicator 1	LED5_1	IPU/O8	Port 5 LED Indicator 1. Active low output sinks current to light an external LED. Note: This pin also provides configuration strap functions during hardware/software resets. Refer to Section 3.2.1, "Configuration Straps" for additional information.
Miscellaneous Pins			
Interrupt	INTRP_N	OPU	Active low, open-drain interrupt. Note: This pin requires an external pull-up resistor.
Power Management Event	PME_N	O8	Power Management Event. This output signal indicates that an energy detect event has occurred. It is intended to wake up the system from a low power mode. Note: The assertion polarity is programmable (default active low). An external pull-up resistor is required for active-low operation; an external pull-down resistor is required for active-high operation.
System Reset	RESET_N	IPU	Active low system reset. The device must be reset either during or after power-on. An RC circuit is suggested for power-on reset.
Crystal Clock / Oscillator Input	XI	ICLK	Crystal clock / oscillator input. When using a 25MHz crystal, this input is connected to one lead of the crystal. When using an oscillator, this pin is the input from the oscillator. The crystal oscillator should have a tolerance of ± 50 ppm.
Crystal Clock Output	XO	OCLK	Crystal clock / oscillator output. When using a 25MHz crystal, this output is connected to one lead of the crystal. When using an oscillator, this pin is left unconnected.
25/125MHz Reference Clock Output	CLKO_25_125	IPU/O24	25/125MHz reference clock output, derived from the crystal input.
Transmit Output Current Set Resistor	ISET	A	Transmit output current set resistor. This pin configures the physical transmit output current. It must be connected to GND through a 6.04k Ω 1% resistor.
In-Band Management Configuration Strap	IBA	IPD	In-Band Management Configuration strap. This pin provides configuration strap functions during hardware/software resets. Refer to Section 3.2.1, "Configuration Straps" for additional information.
No Connect	NC	-	No Connect. For proper operation, this pin must be left unconnected.

KSZ9897S

TABLE 3-2: PIN DESCRIPTIONS (CONTINUED)

Name	Symbol	Buffer Type	Description
Power/Ground Pins			
+3.3/2.5/1.8V I/O Power	VDDIO	P	+3.3V / +2.5V / +1.8V I/O Power
+2.5V Analog Power	AVDDH	P	+2.5V Analog Power
+1.2V Analog Power	AVDDL	P	+1.2V Analog Power
+1.2V Digital Power	DVDDL	P	+1.2V Digital Power
+1.2V SGMII Core Power	VDDL	P	+1.2V SGMII Core Power
+2.5V SGMII I/O Power	VDDHS	P	+2.5V SGMII I/O Power
Ground	GND	GND	Ground (pins and pad)

3.2.1 CONFIGURATION STRAPS

The KSZ9897S utilizes configuration strap pins to configure the device for different modes. While **RESET_N** is low, these pins are hi-Z. Pull-up/down resistors are used to create high or low states on these pins, which are internally sampled at the rising edge of **RESET_N**. All of these pins have a weak internal pull-up or pull-down resistor which provides a default level for strapping. To strap an LED pin low, use a 750Ω to 1kΩ external pull-down resistor. To strap a non-LED pin high, use an external 1kΩ to 10kΩ pull-up resistor to **VDDIO**. Once **RESET_N** is high, all of these pins become driven outputs.

Because the internal pull-up/down resistors are not strong, consideration must be given to any other pull-up/down resistors which may reside on the board or inside a device connected to these pins.

When an LED pin is directly driving an LED, the effect of the LED and LED load resistor on the strapping level must be considered. This is the reason for using a small value resistor to pull an LED pin low. This is especially true when an LED is powered from a voltage that is higher than **VDDIO**.

The configuration strap pins and their associated functions are detailed in [Table 3-3](#).

TABLE 3-3: CONFIGURATION STRAP DESCRIPTIONS

Configuration Strap Pin	Description
LED1_1	Flow Control (All Ports) 0: Flow control disabled 1: Flow control enabled (Default)
LED2_1	Link-up Mode (All PHYs) 0: Fast Link-up: Auto-negotiation and auto MDI/MDI-X are disabled 1: Normal Link-up: Auto-negotiation and auto MDI/MDI-X are enabled (Default) Note: Since Fast Link-up disables auto-negotiation and auto-crossover, it is suitable only for specialized applications.

TABLE 3-3: CONFIGURATION STRAP DESCRIPTIONS (CONTINUED)

Configuration Strap Pin	Description
LED2_0, LED4_0	<p>When LED2_1 = 1 at strap-in (Normal Link-up): [LED2_0, LED4_0]: Auto-Negotiation Enable (All PHYs) / NAND Tree Test Mode 00: Reserved 01: Auto-negotiation disabled 10: NAND Tree test mode 11: Auto-negotiation enabled (Default)</p> <p>When LED2_1 = 0 at strap-in (Fast Link-up; All PHYs Full-Duplex): LED2_0: 1000BASE-T Master/Slave Mode, 10/100BASE-T MDI/MDI-X Mode (All PHYs) 0: 1000BASE-T: Slave Mode 10/100BASE-T: MDI-X 1: 1000BASE-T: Master Mode (Default) 10/100BASE-T: MDI (Default)</p> <p>LED4_0: PHY Speed Select (All PHYs) 0: 1000BASE-T 1: 100BASE-TX (Default)</p>
LED4_1, LED3_1	<p>[LED4_1, LED3_1]: Management Interface Mode 00: MIIM (MDIO) 01: I²C 1x: SPI (Default)</p>
LED5_1	<p>Switch Enable at Startup 0: Start Switch is disabled. The switch will not forward packets until the Start Switch bit is set in the Switch Operation Register. 1: Start Switch is enabled. The switch will forward packets immediately after reset. (Default)</p>
RXD6_3, RXD6_2	<p>[RXD6_3, RXD6_2]: Port 6 Mode 00: RGMII (Default) 01: RMII 10: Reserved 11: MII</p>
RXD6_1	<p>Port 6 MII/RMII Mode 0: MII: PHY Mode (Default) RMII: Clock Mode. RMII 50MHz reference clock is output on REFCLKO6. (Default) RGMII: No effect 1: MII: MAC Mode RMII: Normal Mode. RMII 50MHz reference clock is input on REFCLKI6. RGMII: No effect</p>
RXD6_0	<p>Port 6 Speed Select 0: 1000Mbps Mode (Default) 1: 10/100Mbps Mode</p> <p>Note: If Port 6 is configured for MII or RMII, set the speed to 100Mbps.</p>
IBA	<p>In-Band Management 0: Disable In-Band Management (Default) 1: Enable In-Band Management</p>

4.0 FUNCTIONAL DESCRIPTION

This section provides functional descriptions for the following:

- [Physical Layer Transceiver \(PHY\)](#)
- [LEDs](#)
- [Media Access Controller \(MAC\)](#)
- [Switch](#)
- [NAND Tree Support](#)
- [Clocking](#)
- [Power](#)
- [Power Management](#)
- [Management Interface](#)
- [In-Band Management](#)
- [MAC Interface \(Ports 6 and 7\)](#)

4.1 Physical Layer Transceiver (PHY)

Ports 1 through 5 include completely integrated triple-speed (10BASE-T_e, 100BASE-TX, 1000BASE-T) Ethernet physical layer transceivers for transmission and reception of data over standard four-pair unshielded twisted pair (UTP), CAT-5 or better Ethernet cable.

The device reduces board cost and simplifies board layout by using on-chip termination resistors for the four differential pairs, eliminating the need for external termination resistors. The internal chip termination and biasing provides significant power savings when compared with using external biasing and termination resistors.

The device can automatically detect and correct for differential pair misplacements and polarity reversals, and correct for propagation delay differences between the four differential pairs, as specified in the IEEE 802.3 standard for 1000BASE-T operation.

4.1.1 1000BASE-T TRANSCEIVER

The 1000BASE-T transceiver is based on a mixed-signal/digital signal processing (DSP) architecture, which includes the analog front-end, digital channel equalizers, trellis encoders/decoders, echo cancelers, cross-talk cancelers, a precision clock recovery scheme, and power-efficient line drivers.

4.1.1.1 Analog Echo Cancellation Circuit

In 1000BASE-T mode, the analog echo cancellation circuit helps to reduce the near-end echo. This analog hybrid circuit relieves the burden of the ADC and the adaptive equalizer. This circuit is disabled in 10BASE-T_e/100BASE-TX mode.

4.1.1.2 Automatic Gain Control (AGC)

In 1000BASE-T mode, the automatic gain control circuit provides initial gain adjustment to boost up the signal level. This pre-conditioning circuit is used to improve the signal-to-noise ratio of the receive signal.

4.1.1.3 Analog-to-Digital Converter (ADC)

In 1000BASE-T mode, the analog-to-digital converter digitizes the incoming signal. ADC performance is essential to the overall performance of the transceiver. This circuit is disabled in 10BASE-T_e/100BASE-TX mode.

4.1.1.4 Timing Recovery Circuit

In 1000BASE-T mode, the mixed signal clock recovery circuit, together with the digital phase locked loop (PLL), is used to recover and track the incoming timing information from the received data. The digital PLL has very low long-term jitter to maximize the signal-to-noise ratio of the receive signal.

The 1000BASE-T slave PHY must transmit the exact receive clock frequency recovered from the received data back to the 1000BASE-T master PHY. Otherwise, the master and slave will not be synchronized after long transmission. This also helps to facilitate echo cancellation and NEXT removal.

4.1.1.5 Adaptive Equalizer

In 1000BASE-T mode, the adaptive equalizer provides the following functions:

- Detection for partial response signaling
- Removal of NEXT and ECHO noise
- Channel equalization

Signal quality is degraded by residual echo that is not removed by the analog hybrid because of impedance mismatch. The device uses a digital echo canceler to further reduce echo components on the receive signal.

In 1000BASE-T mode, data transmission and reception occurs simultaneously on all four pairs of wires (four channels). This results in high-frequency cross-talk coming from adjacent wires. The device uses three NEXT cancelers on each receive channel to minimize the cross-talk induced by the other three channels.

In 10BASE-Te/100BASE-TX mode, the adaptive equalizer needs only to remove the inter-symbol interference and recover the channel loss from the incoming data.

4.1.1.6 Trellis Encoder and Decoder

In 1000BASE-T mode, the transmitted 8-bit data is scrambled into 9-bit symbols and further encoded into 4D-PAM5 symbols. On the receiving side, the idle stream is examined first. The scrambler seed, pair skew, pair order and polarity must be resolved through the logic. The incoming 4D-PAM5 data is then converted into 9-bit symbols and de-scrambled into 8-bit data.

4.1.2 100BASE-TX TRANSCEIVER

4.1.2.1 100BASE-TX Transmit

The 100BASE-TX transmit function performs parallel-to-serial conversion, 4B/5B coding, scrambling, NRZ-to-NRZI conversion, and MLT3 encoding and transmission.

The circuitry starts with a parallel-to-serial conversion, which converts the MII data from the MAC into a 125MHz serial bit stream. The data and control stream is then converted into 4B/5B coding, followed by a scrambler. The serialized data is further converted from NRZ-to-NRZI format, and then transmitted in MLT3 current output. An external ISET resistor sets the output current for the 1:1 transformer ratio.

The output signal has a typical rise/fall time of 4ns and complies with the ANSI TP-PMD standard regarding amplitude balance, overshoot, and timing jitter. The wave-shaped 10BASE-Te output driver is also incorporated into the 100BASE-TX driver.

4.1.2.2 100BASE-TX Receive

The 100BASE-TX receiver function performs adaptive equalization, DC restoration, MLT3-to-NRZI conversion, data and clock recovery, NRZI-to-NRZ conversion, de-scrambling, 4B/5B decoding, and serial-to-parallel conversion.

The receiving side starts with the equalization filter to compensate for inter-symbol interference (ISI) over the twisted pair cable. Since the amplitude loss and phase distortion is a function of the cable length, the equalizer has to adjust its characteristics to optimize performance. In this design, the variable equalizer makes an initial estimation based on comparisons of incoming signal strength against some known cable characteristics, and then tunes itself for optimization. This is an ongoing process and self-adjusts against environmental changes such as temperature variations.

Next, the equalized signal goes through a DC restoration and data conversion block. The DC restoration circuit is used to compensate for the effect of baseline wander and to improve the dynamic range. The differential data conversion circuit converts the MLT3 format back to NRZI. The slicing threshold is also adaptive.

The clock recovery circuit extracts the 125MHz clock from the edges of the NRZI signal. This recovered clock is then used to convert the NRZI signal into the NRZ format. This signal is sent through the de-scrambler followed by the 4B/5B decoder. Finally, the NRZ serial data is converted to an MII format and provided as the input data to the MAC.

4.1.2.3 Scrambler/De-Scrambler

The purpose of the scrambler is to spread the power spectrum of the signal to reduce electromagnetic interference (EMI) and baseline wander. The scrambler is used only for 100BASE-TX.

Transmitted data is scrambled through the use of an 11-bit wide linear feedback shift register (LFSR). The scrambler generates a 2047-bit non-repetitive sequence. Then the receiver de-scrambles the incoming data stream using the same sequence as at the transmitter.

KSZ9897S

4.1.3 10BASE-Te TRANSCEIVER

10BASE-Te is an energy-efficient version of 10BASE-T which is powered from a 2.5V supply. It has a reduced transmit signal amplitude and requires Cat5 cable. It is inter-operable to 100m with 10BASE-T when Cat5 cable is used.

4.1.3.1 10BASE-Te Transmit

The 10BASE-Te driver is incorporated with the 100BASE-TX driver to allow for transmission using the same magnetics. They are internally wave-shaped and pre-emphasized into outputs with typical 1.75V amplitude (compared to the typical transmit amplitude of 2.5V for 10BASE-T). The harmonic contents are at least 27dB below the fundamental frequency when driven by an all-ones Manchester-encoded signal.

4.1.3.2 10BASE-Te Receive

On the receive side, input buffers and level detecting squelch circuits are employed. A differential input receiver circuit and a phase-locked loop (PLL) perform the decoding function.

The Manchester-encoded data stream is separated into clock signal and NRZ data. A squelch circuit rejects signals with levels less than 400mV or with short pulse widths to prevent noise at the RXP1 or RXM1 input from falsely triggering the decoder. When the input exceeds the squelch limit, the PLL locks onto the incoming signal and the device decodes a data frame. The receiver clock is maintained active during idle periods in between data reception.

4.1.4 AUTO MDI/MDI-X

The automatic MDI/MDI-X feature, also known as auto crossover, eliminates the need to determine whether to use a straight cable or a crossover cable between the device and its link partner. The auto-sense function detects the MDI/MDI-X pair mapping from the link partner, and assigns the MDI/MDI-X pair mapping of the device accordingly. [Table 4-1](#) shows the device's 10/100/1000 Mbps pin configuration assignments for MDI and MDI-X pin mapping.

TABLE 4-1: MDI/MDI-X PIN DEFINITIONS

Pin (RJ45 pair)	MDI			MDI-X		
	1000BASE-T	100BASE-TX	10BASE-Te	1000BASE-T	100BASE-TX	10BASE-Te
TXRXxP/M_A (1,2)	A+/-	TX+/-	TX+/-	B+/-	RX+/-	RX+/-
TXRXxP/M_B (3,6)	B+/-	RX+/-	RX+/-	A+/-	TX+/-	TX+/-
TXRXxP/M_C (4,5)	C+/-	Not used	Not used	D+/-	Not used	Not used
TXRXxP/M_D (7,8)	D+/-	Not used	Not used	C+/-	Not used	Not used

Auto MDI/MDI-X is enabled by default. It can be disabled through the port control registers. If Auto MDI/MDI-X is disabled, the port control register can also be used to select between MDI and MDI-X settings.

An isolation transformer with symmetrical transmit and receive data paths is recommended to support Auto MDI/MDI-X.

4.1.5 PAIR-SWAP, ALIGNMENT, AND POLARITY CHECK

In 1000BASE-T mode, the device:

- Detects incorrect channel order and automatically restores the pair order for the A, B, C, D pairs (four channels).
- Supports 50±10ns difference in propagation delay between pairs of channels in accordance with the IEEE 802.3 standard, and automatically corrects the data skew so the corrected four pairs of data symbols are synchronized.

Incorrect pair polarities of the differential signals are automatically corrected for all speeds.

4.1.6 WAVE SHAPING, SLEW-RATE CONTROL, AND PARTIAL RESPONSE

In communication systems, signal transmission encoding methods are used to provide the noise-shaping feature and to minimize distortion and error in the transmission channel.

- For 1000BASE-T, a special partial-response signaling method is used to provide the bandwidth-limiting feature for the transmission path.
- For 100BASE-TX, a simple slew-rate control method is used to minimize EMI.
- For 10BASE-Te, pre-emphasis is used to extend the signal quality through the cable.

4.1.7 AUTO-NEGOTIATION

The device conforms to the auto-negotiation protocol as described by IEEE 802.3. Auto-negotiation allows each port to operate at either 10BASE-Te, 100BASE-TX or 1000BASE-T by allowing link partners to select the best common mode of operation. During auto-negotiation, the link partners advertise capabilities across the link to each other and then compare their own capabilities with those they received from their link partners. The highest speed and duplex setting that is common to the two link partners is selected as the mode of operation.

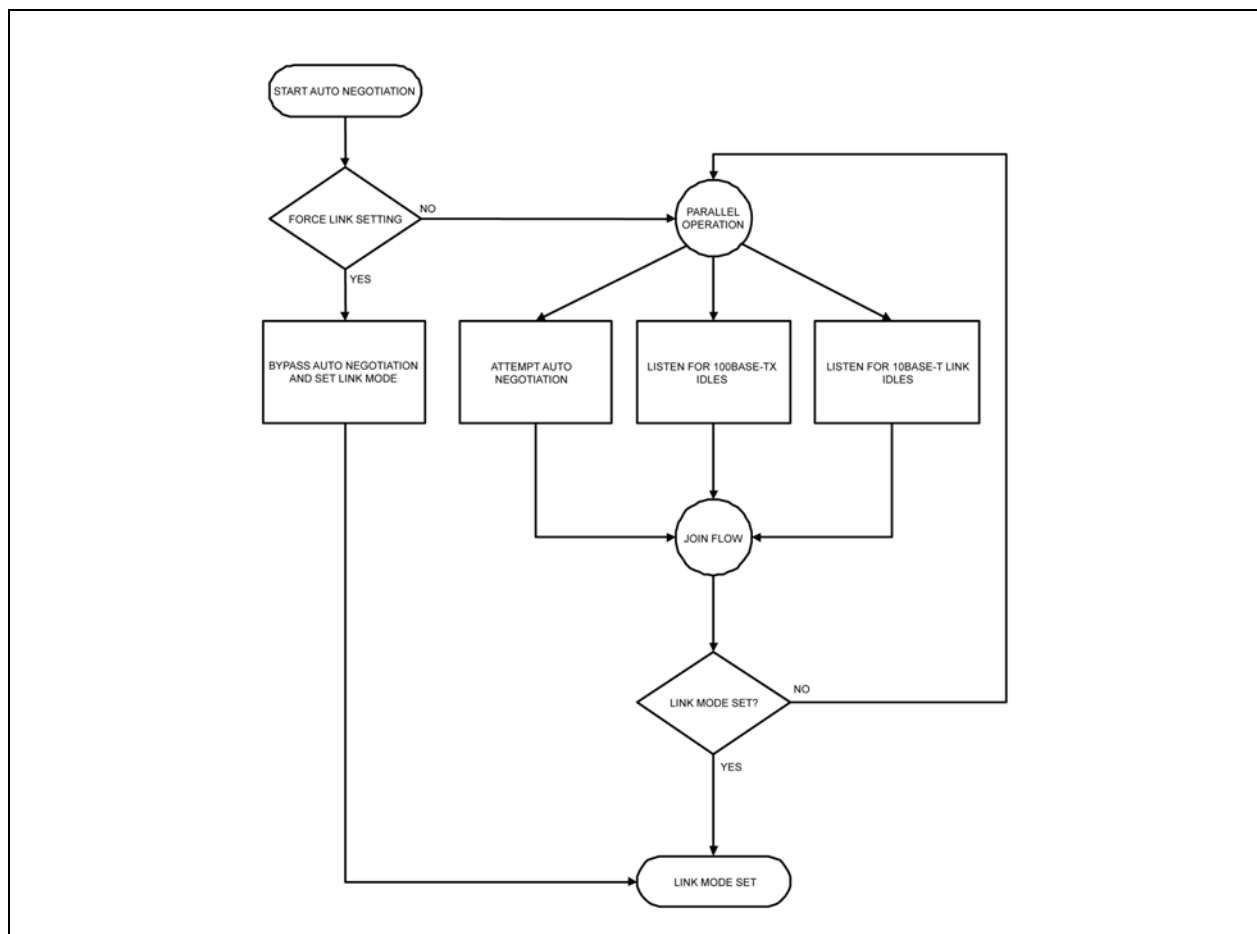
The following list shows the speed and duplex operation mode from highest to lowest priority.

- Priority 1: 1000BASE-T, full-duplex
- Priority 2: 1000BASE-T, half-duplex
- Priority 3: 100BASE-TX, full-duplex
- Priority 4: 100BASE-TX, half-duplex
- Priority 5: 10BASE-Te, full-duplex
- Priority 6: 10BASE-Te, half-duplex

If the KSZ9897S link partner doesn't support auto-negotiation or is forced to bypass auto-negotiation for 10BASE-Te and 100BASE-TX modes, the KSZ9897S port sets its operating mode by observing the signal at its receiver. This is known as parallel detection, and allows the KSZ9897S to establish a link by listening for a fixed signal protocol in the absence of the auto-negotiation advertisement protocol.

The auto-negotiation link-up process is shown in [Figure 4-1](#).

FIGURE 4-1: AUTO-NEGOTIATION AND PARALLEL OPERATION



For 1000BASE-T mode, auto-negotiation is always required to establish a link. During 1000BASE-T auto-negotiation, the master and slave configuration is first resolved between link partners. Then the link is established with the highest common capabilities between link partners.

KSZ9897S

Auto-negotiation is enabled by default after power-up or hardware reset. Afterwards, auto-negotiation can be enabled or disabled via bit 12 of the [PHY Basic Control Register](#). If auto-negotiation is disabled, the speed is set by bits 6 and 13 of the [PHY Basic Control Register](#), and the duplex is set by bit 8.

If the speed is changed on the fly, the link goes down and either auto-negotiation or parallel detection initiate until a common speed between the KSZ9897S and its link partner is re-established for a link.

If link is already established and there is no change of speed on the fly, the changes (for example, duplex and pause capabilities) will not take effect unless either auto-negotiation is restarted through bit 9 of the [PHY Basic Control Register](#), or a link-down to link-up transition occurs (i.e. disconnecting and reconnecting the cable).

After auto-negotiation is completed, the link status is updated in the [PHY Basic Status Register](#), and the link partner capabilities are updated in the [PHY Auto-Negotiation Link Partner Ability Register](#), [PHY Auto-Negotiation Expansion Status Register](#), and [PHY 100BASE-T Status Register](#).

4.1.8 FAST LINK-UP

Link up time is normally determined by the time it takes to complete auto-negotiation. Additional time may be added by the auto MDI/MDI-X feature. The total link up time from power-up or cable connect is typically a second or more.

Fast Link-up mode significantly reduces 100BASE-TX link-up time by disabling both auto-negotiation and auto MDI/MDI-X, and fixing the TX and RX channels. This mode is enabled or disabled by the **LED2_1** strapping option. It is not set by registers, so fast link-up is available immediately upon power-up. Fast Link-up is available at power-up only for 100BASE-TX link speed, which is selected by strapping the **LED4_0** pin high. Fast Link-up is also available for 10BASE-T, but this link speed must first be selected via a register write.

Fast Link-up is intended for specialized applications where both link partners are known in advance. The link must also be known so that the fixed transmit channel of one device connects to the fixed receive channel of the other device, and vice versa. The TX and RX channel assignments are determined by the MDI/MDI-X strapping option on **LED2_0**.

If a device in Fast Link-up mode is connected to a normal device (auto-negotiate and auto-MDI/MDI-X), there will be no problems linking, but the speed advantage of Fast Link-up will not be realized.

For more information on configuration straps, refer to [Section 3.2.1, "Configuration Straps," on page 16](#).

4.1.9 LinkMD® CABLE DIAGNOSTICS

The LinkMD® function utilizes Time Domain Reflectometry (TDR) to analyze the cabling for common cabling problems, such as open circuits, short circuits and impedance mismatches.

LinkMD® works by sending a pulse of known amplitude and duration down the MDI or MDI-X pair, and then analyzing the shape of the reflected signal to determine the type of fault. The time duration for the reflected signal to return provides the approximate distance to the cabling fault. The LinkMD® function processes this TDR information and presents it as a numerical value that can be translated to a cable distance.

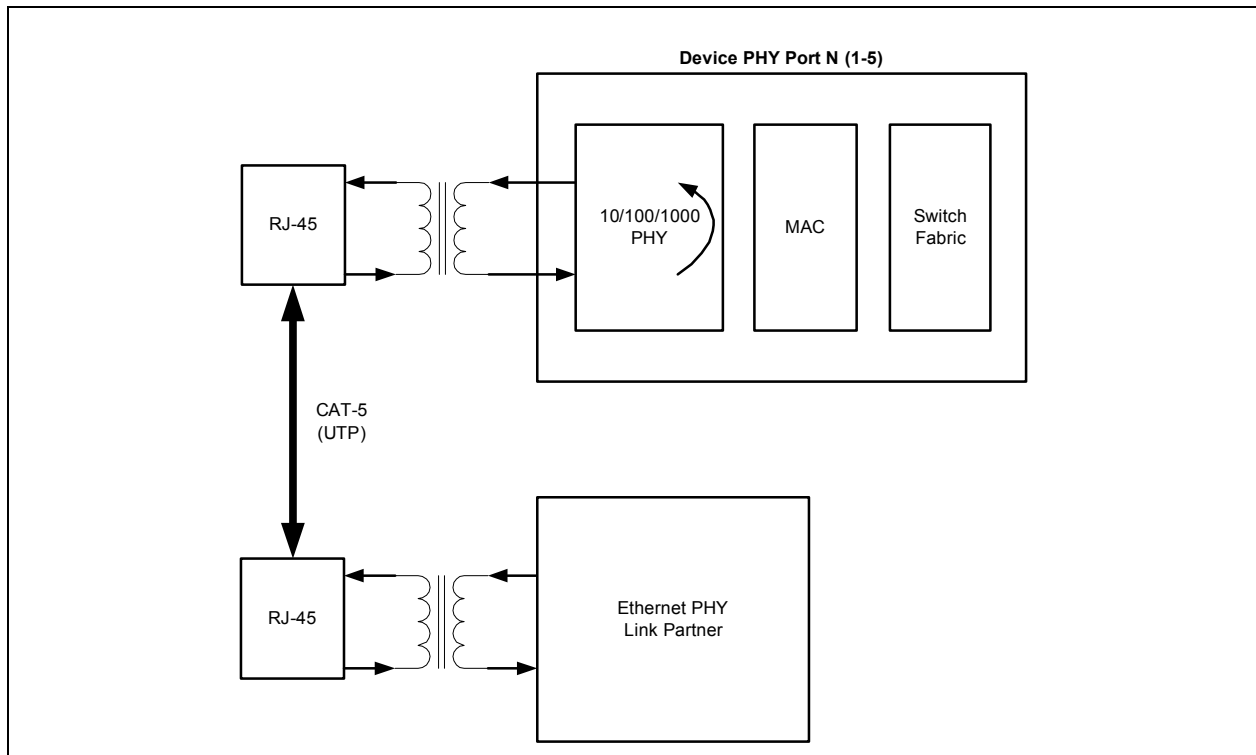
4.1.10 REMOTE PHY LOOPBACK

This loopback mode checks the line (differential pairs, transformer, RJ-45 connector, Ethernet cable) transmit and receive data paths between the KSZ9897S and its Ethernet PHY link partner, and is supported for 10/100/1000 Mbps at full-duplex.

The loopback data path is shown in [Figure 4-2](#) and functions as follows:

- The Ethernet PHY link partner transmits data to the KSZ9897S PHY port.
- Data received at the external pins of the PHY port is looped back without passing through the MAC and internal switch fabric.
- The same KSZ9897S PHY port transmits data back to the Ethernet PHY link partner.

FIGURE 4-2: REMOTE PHY LOOPBACK



The following programming steps and register settings are for remote PHY loopback mode for 1000BASE-T Master Mode, 1000BASE-T Slave Mode, 100BASE-TX Mode, and 10BASE-T Mode.

- 1000BASE-T Master Mode
 - Set Port N (1-5), [PHY 1000BASE-T Control Register](#) = 0x1F00
 - Set Port N (1-5), [PHY Remote Loopback Register](#) = 0x01F0
 - Set Port N (1-5), [PHY Basic Control Register](#) = 0x1340

- 1000BASE-T Slave Mode
 - Set Port N (1-5), [PHY 1000BASE-T Control Register](#) = 0x1300
 - Set Port N (1-5), [PHY Remote Loopback Register](#) = 0x01F0
 - Set Port N (1-5), [PHY Basic Control Register](#) = 0x1340

- 100BASE-TX Mode
 - Set Port N (1-5), [PHY Auto-Negotiation Advertisement Register](#) = 0x0181
 - Set Port N (1-5), [PHY 1000BASE-T Control Register](#) = 0x0C00
 - Set Port N (1-5), [PHY Remote Loopback Register](#) = 0x01F0
 - Set Port N (1-5), [PHY Basic Control Register](#) = 0x3300

- 10BASE-T Mode
 - Set Port N (1-5), [PHY Auto-Negotiation Advertisement Register](#) = 0x0061
 - Set Port N (1-5), [PHY 1000BASE-T Control Register](#) = 0x0C00
 - Set Port N (1-5), [PHY Remote Loopback Register](#) = 0x01F0
 - Set Port N (1-5), [PHY Basic Control Register](#) = 0x3300

KSZ9897S

4.2 LEDs

Each PHY port has two programmable LED output pins, **LEDx_0** and **LEDx_1**, to indicate the PHY link and activity status. Two different LED modes are available. The LED mode can be changed individually for each PHY port by writing to the PHY Mode bit in the PHY indirect register: MMD 2, address 0, bit 4:

- 1 = [Single-LED Mode](#)
- 0 = [Tri-Color Dual-LED Mode](#) (Default)

Each LED output pin can directly drive an LED with a series resistor (typically 220Ω to 470Ω). LED outputs are active-low.

4.2.1 SINGLE-LED MODE

In single-LED mode, the **LEDx_1** pin indicates the link status while the **LEDx_0** pin indicates the activity status, as shown in [Figure 4-2](#).

TABLE 4-2: SINGLE-LED MODE PIN DEFINITION

LED Pin	Pin State	Pin LED Definition	Link/Activity
LEDx_1	H	OFF	Link Off
	L	ON	Link On (any speed)
LEDx_0	H	OFF	No Activity
	Toggle	Blinking	Activity (RX,TX)

4.2.2 TRI-COLOR DUAL-LED MODE

In tri-color dual-LED mode, the link and activity status are indicated by the **LEDx_1** pin for 1000BASE-T; by the **LEDx_0** pin for 100BASE-TX; and by both **LEDx_1** and **LEDx_0** pins, working in conjunction, for 10BASE-T. This behavior is summarized in [Figure 4-3](#).

TABLE 4-3: TRI-COLOR DUAL-LED MODE PIN DEFINITION

LED Pin (State)		LED Pin (Definition)		Link/Activity
LEDx_1	LEDx_0	LEDx_1	LEDx_0	
H	H	OFF	OFF	Link off
L	H	ON	OFF	1000Mbps Link / No Activity
Toggle	H	Blinking	OFF	1000Mbps Link / Activity (RX,TX)
H	L	OFF	ON	100Mbps Link / No Activity
H	Toggle	OFF	Blinking	100Mbps Link / Activity (RX,TX)
L	L	ON	ON	10Mbps Link / No Activity
Toggle	Toggle	Blinking	Blinking	10Mbps Link / Activity (RX,TX)

4.3 Media Access Controller (MAC)

4.3.1 MAC OPERATION

The device strictly abides by IEEE 802.3 standards to maximize compatibility. Additionally, there is an added MAC filtering function to filter unicast packets. The MAC filtering function is useful in applications, such as VoIP, where restricting certain packets reduces congestion and thus improves performance.

The transmit MAC takes data from the egress buffer and creates full Ethernet frames by adding the preamble and the start-of-frame delimiter ahead of the data, and generates the FCS that is appended to the end of the frame. It also sends flow control packets as needed.

The receive MAC accepts data via the integrated PHY or via the SGMII/MII/RMII/RGMII interface. It decodes the data bytes, strips off the preamble and SFD of each frame. The destination and source addresses and VLAN tag are extracted for use in filtering and address/ID lookup, and the MAC also calculates the CRC of the received frame, which is compared to the FCS field. The MAC can discard frames that are the wrong size, that have an FCS error, or when the source MAC address matches the Switch MAC address.

The receive MAC also implements the Wake on LAN (WoL) feature. This system power saving feature is described in detail in the [Section 4.8, "Power Management"](#).

MIB statistics are collected in both receive and transmit directions.

4.3.2 INTER-PACKET GAP (IPG)

If a frame is successfully transmitted, then the minimum 96-bit time for IPG is specified as being between two consecutive packets. If the current packet is experiencing collisions, the minimum 96-bit time for IPG is specified as being from carrier sense (CRS) to the next transmit packet.

4.3.3 BACK-OFF ALGORITHM

The device implements the IEEE standard 802.3 binary exponential back-off algorithm in half-duplex mode. After 16 collisions, the packet is dropped.

4.3.4 LATE COLLISION

If a transmit packet experiences collisions after 512 bit times of the transmission, the packet is dropped.

4.3.5 LEGAL PACKET SIZE

On all ports, the device discards received packets smaller than 64 bytes (excluding VLAN tag, including FCS) or larger than the maximum size. The default maximum size is the IEEE standard of 1518 bytes, but can be programmed to 2000 bytes. Ports operating at 1000Mbps may be programmed to accept jumbo packets up to 9000 bytes, but for performance reasons it is recommended that no more than two ports be enabled simultaneously for jumbo packets.

4.3.6 FLOW CONTROL

The device supports standard MAC Control PAUSE (802.3x flow control) frames in both the transmit and receive directions for full-duplex connections.

In the receive direction, if a PAUSE control frame is received on any port, the device will not transmit the next normal frame on that port until the timer, specified in the PAUSE control frame, expires. If another PAUSE frame is received before the current timer expires, the timer will then update with the new value in the second PAUSE frame. During this period (while it is flow controlled), only flow control packets from the device are transmitted.

In the transmit direction, the device has intelligent and efficient ways to determine when to invoke flow control and send PAUSE frames. The flow control is based on availability of the system resources, including available buffers, available transmit queues and available receive queues.

The device issues a PAUSE frame containing the maximum pause time defined in IEEE standard 802.3x. Once the resource is freed up, the device sends out another flow control frame with zero pause time to turn off the flow control (turn on transmission to the port). A hysteresis feature is provided to prevent the flow control mechanism from being constantly activated and deactivated.

4.3.7 HALF-DUPLEX BACK PRESSURE

A half-duplex back pressure option (non-IEEE 802.3 standard) is also provided. The activation and deactivation conditions are the same as in full-duplex mode. If back pressure is required, the device sends preambles to defer the other stations' transmission (carrier sense deference).

To avoid jabber and excessive deference (as defined in the 802.3 standard), after a certain time, the device discontinues the carrier sense and then raises it again quickly. This short silent time (no carrier sense) prevents other stations from sending out packets thus keeping other stations in a carrier sense deferred state. If the port has packets to send during a back pressure situation, the carrier sense type back pressure is interrupted and those packets are transmitted instead. If there are no additional packets to send, carrier sense type back pressure is reactivated again until chip resources free up. If a collision occurs, the binary exponential back-off algorithm is skipped and carrier sense is generated immediately, thus reducing the chance of further collision and carrier sense is maintained to prevent packet reception.

KSZ9897S

To ensure no packet loss in 10BASE-T_e or 100BASE-TX half-duplex modes, the user must enable the following:

- No excessive collision drop ([Switch MAC Control 1 Register](#))
- Back pressure ([Port MAC Control 1 Register](#))

4.3.8 FLOW CONTROL AND BACK PRESSURE REGISTERS

[Table 4-4](#) provides a list of flow control and back pressure related registers.

TABLE 4-4: FLOW CONTROL AND BACK PRESSURE REGISTERS

Registers	Description
LED Configuration Strap Register	LED configuration strap settings. (LED1_1 enables flow control and back pressure)
Switch MAC Address 0 Register through Switch MAC Address 5 Register	Switch's MAC address, used as source address of PAUSE control frames
Switch MAC Control 0 Register	"Aggressive back-off" enable
Switch MAC Control 1 Register	BP mode, "Fair mode" enable, "no excessive collision drop" enable
Switch MAC Control 4 Register	Pass PAUSE control frames
Port Status Register	Flow control enable (per port)
PHY Auto-Negotiation Advertisement Register	PHY - flow control advertisement (per port)
Port MAC Control 1 Register	Half-duplex back pressure enable (per port)
Port Ingress Rate Limit Control Register	Ingress rate limit flow control enable (per port)
Port Control 0 Register	Drop mode (per port)

4.3.9 BROADCAST STORM PROTECTION

The device has an intelligent option to protect the switch system from receiving too many broadcast packets. As the broadcast packets are forwarded to all ports except the source port, an excessive number of switch resources (bandwidth and available space in transmit queues) may be utilized. The device has the option to include "multicast packets" for storm control. The broadcast storm rate parameters are programmed globally, and can be enabled or disabled on a per port basis. The rate is based on a 5ms interval for 1000BASE-T, a 50ms interval for 100BASE-TX and a 500ms interval for 10BASE-T_e. At the beginning of each interval, the counter is cleared to zero and the rate limit mechanism starts to count the number of bytes during the interval. The rate definition is described in control registers. The default setting equates to a rate of 1%.

4.3.10 SELF-ADDRESS FILTERING

Received packets can be filtered (dropped) if their source address matches the device's MAC address. This feature is useful for automatically terminating packets once they have traversed a ring network and returned to their source. It can be enabled on a per-port basis via the [Switch Lookup Engine Control 1 Register](#) and [Port Control 2 Register](#).

4.4 Switch

4.4.1 SWITCHING ENGINE

A high-performance switching engine is used to move data to and from the MAC's packet buffers. It operates in store and forward mode, while an efficient switching mechanism reduces overall latency. The switching engine has a 256KByte internal frame buffer that is shared between all the ports.

For the majority of switch functions, all of the data ports are treated equally. However, a few functions such as IGMP snooping, 802.1X, forwarding invalid VLAN packets, etc., give special recognition to the host port. Any port (but most commonly port 6 or port 7) may be assigned as the host port by enabling tail tagging mode for that port. Only one port may be a host port.

When a switch receives a non-error packet, it checks the packet's destination MAC address. If the address is known, the packet is forwarded to the output port that is associated with the destination MAC address. The following paragraphs describe the key functions of destination address lookup and source address learning. These processes may be combined with VLAN support and other features, which are described in the subsequent sub-sections.

4.4.2 ADDRESS LOOKUP

Destination address lookup is performed in three separate internal address tables in the device:

1. [Address Lookup \(ALU\) Table](#): 4K dynamic + static entries
2. [Static Address Table](#): 16 static entries
3. [Reserved Multicast Address Table](#): 8 pre-configured static entries

4.4.2.1 Address Lookup (ALU) Table

The Address Lookup (ALU) Table stores MAC addresses and their associated information. This table holds both dynamic and static entries. Dynamic entries are created automatically in hardware, as described in [Section 4.4.2.4, "Learning"](#). Static entries are created by management software.

This table is a 4-way associative memory, with 1K buckets, for a total of 4K entries. A hash function translates the received packet's MAC address (and optionally the FID) into a 10-bit index for accessing the table. At each bucket are four fully-associative address entries. All four entries are simultaneously compared to the MAC address (plus optional FID) for a possible match.

Three options are available for the hashing function, as described in [Table 4-5](#). If VLAN is enabled (802.1Q VLAN Enable bit in the [Switch Lookup Engine Control 0 Register](#)), the VLAN group (FID) is included in the hashing function along with the MAC address. If VLAN is not enabled the hashing function is applied to MAC address and the FID in the default VLAN (VID=1) which is 0.

TABLE 4-5: ADDRESS LOOKUP TABLE HASHING OPTIONS

HASH_OPTION (Switch Lookup Engine Control 0 Register)	Description
01b (Default)	A hash algorithm based on the CRC of the MAC address plus FID. The hash algorithm uses the CRC-CCITT polynomial. The input to the hash is reduced to a 16-bit CRC hash value. Bits [9:0] of the hash value plus (binary addition) 7-bit FID (zero extended on the left) are used as an index to the table. The CRC-CCITT polynomial is: $X^{16}+X^{12}+X^5+1$.
10b	An XOR algorithm based on 16 bits of the XOR of the triple-folded MAC address. Bits [9:0] of the XOR value plus 7-bit FID (left-extended) are used to index the table.
00b or 11b	A direct algorithm. The 10 least significant bits of the MAC address plus 7 bit FID are used to index the table.

4.4.2.2 Static Address Table

The 16-entry Static Address Table is typically used to hold multicast addresses, but is not limited to this. As with static entries in the ALU table, entries in the Static Address Table are created by management software. It serves the same function as static entries that are created in the ALU table, so its use is optional.

4.4.2.3 Reserved Multicast Address Table

The Reserved Multicast Address Table holds 8 pre-configured address entries, as defined in [Table 4-6](#). This table is an optional feature that is disabled at power-on. If desired, the forwarding ports may be modified.

TABLE 4-6: RESERVED MULTICAST ADDRESS TABLE

Group	Address	MAC Group Address Function	Default PORT FORWARD Value (defines forwarding port: P7...P1)	Default Forwarding Action
0	(01-80-C2-00)-00-00	Bridge Group Data	100_0000	Forward only to the highest numbered port (default host port)
1	(01-80-C2-00)-00-01	MAC Control Frame (typically flow control)	000_0000	Drop MAC flow control
2	(01-80-C2-00)-00-03	802.1X Access Control	100_0000	Forward to highest numbered port
3	(01-80-C2-00)-00-10	Bridge Management	111_1111	Flood to all ports
4	(01-80-C2-00)-00-20	GMRP	011_1111	Flood to all ports except highest numbered port
5	(01-80-C2-00)-00-21	GVRP	011_1111	Flood to all ports except highest numbered port
6	(01-80-C2-00)-00-02, (01-80-C2-00)-00-04 – (01-80-C2-00)-00-0F		100_0000	Forward to highest numbered port
7	(01-80-C2-00)-00-11 - (01-80-C2-00)-00-1F, (01-80-C2-00)-00-22 - (01-80-C2-00)-00-2F		011_1111	Flood to all ports except highest numbered port

If a match is found in one of the tables, then the destination port is read from that table entry. If a match is found in more than one table, static entries will take priority over dynamic entries.

4.4.2.4 Learning

The internal lookup engine updates the ALU table with a new dynamic entry if the following conditions are met:

- The received packet's source address (SA) does not exist in the lookup table.
- The received packet has no errors, and the packet size is of legal length.
- The received packet has a unicast SA.
- If VLAN is enabled, the received packet must belong to the indicated VLAN domain (FID).

The lookup engine inserts the qualified SA into the table, along with the port number and time stamp. If all four table entries are valid, the oldest of the (up to four) dynamic entries may be deleted to make room for the new entry. Static entries are never deleted by the learning process. If all four entries are static entries, the address is not learned but an interrupt is generated and the table index number is made available to the interrupt service routine.

4.4.2.5 Migration

The internal lookup engine also monitors whether a station has moved. If a station has moved, it updates the ALU table accordingly. Migration happens when the following conditions are met:

- The received packet's SA is in the table but the associated source port information is different.
- The received packet has no receiving errors, and the packet size is of legal length.

The lookup engine updates the existing record in the table with the new source port information.

4.4.2.6 Aging

The lookup engine updates the time stamp information of a dynamic record in the ALU table whenever the corresponding SA appears. The time stamp is used in the aging process. If a record is not updated for a period of time, the lookup engine removes the record from the table. The lookup engine constantly performs the aging process and continuously removes aging records. The aging period is about 300 seconds (± 75 seconds) and can be configured longer or shorter (1 second to 30 minutes). This feature can be enabled or disabled. Static entries are exempt from the aging process.

4.4.2.7 Forwarding

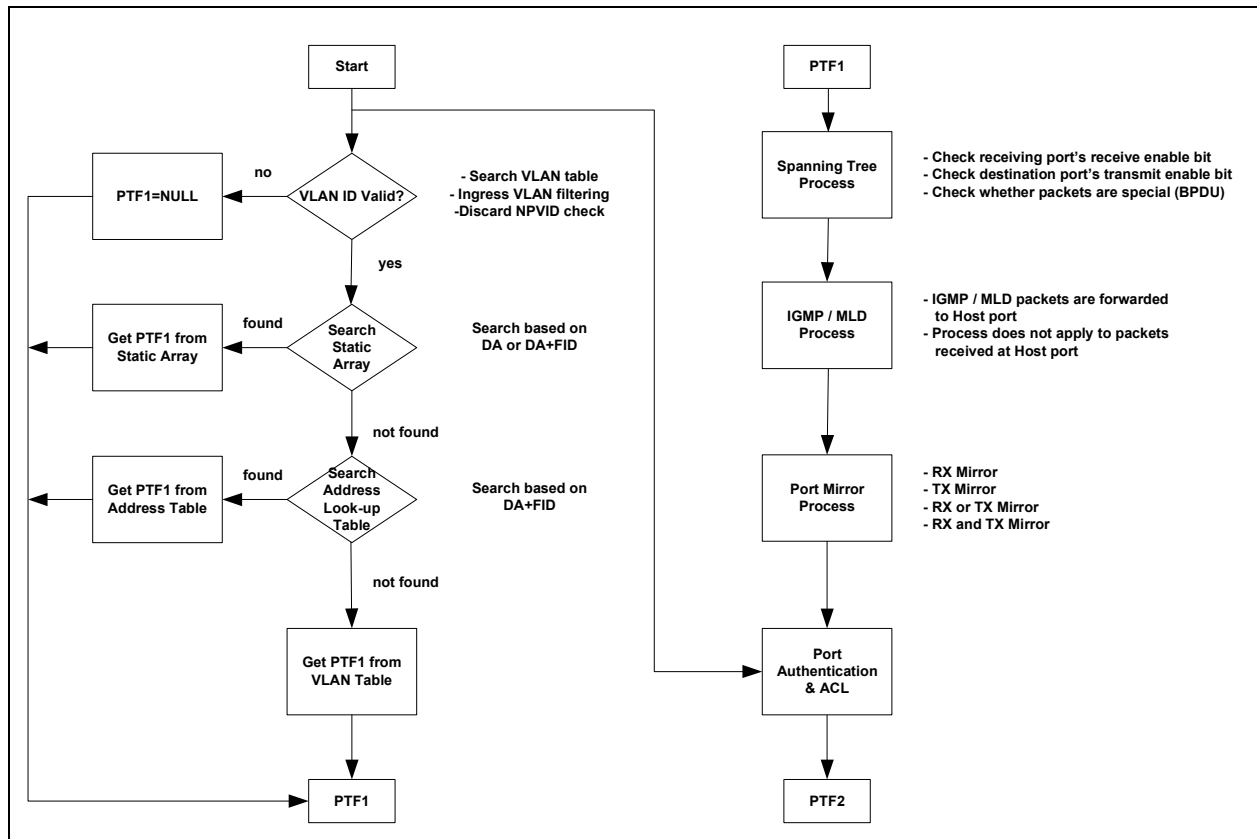
The device forwards packets using the algorithm that is depicted in Figure 4-3. Figure 4-3 shows stage one of the forwarding algorithm where the search engine looks up the VLAN ID, static table, and dynamic table for the destination address, and comes up with “port to forward 1” (PTF1). PTF1 is then further modified by spanning tree, IGMP snooping, port mirroring, and port VLAN processes.

The ACL process works in parallel with the flow outlined above. The authentication and ACL processes have the highest priority in the forwarding process, and the ACL result may override the result of the above flow. The output of the ACL process is the final “port-to-forward 2” (PTF2) destination port(s).

The device will not forward the following packets:

- Error packets: These include framing errors, frame check sequence (FCS) errors, alignment errors, and illegal size packet errors.
- MAC Control PAUSE frames: The device intercepts these packets and performs full duplex flow control accordingly.
- “Local” packets: Based on destination address (DA) lookup. If the destination port from the lookup table matches the port from which the packet originated, the packet is defined as “local”.
- In-Band Management packets.

FIGURE 4-3: PACKET FORWARDING PROCESS FLOWCHART



KSZ9897S

4.4.2.8 Lookup Engine Registers

Table 4-7 provides a list of lookup engine related registers.

TABLE 4-7: LOOKUP ENGINE REGISTERS

Registers	Description
Global Interrupt Status Register , Global Interrupt Mask Register	Top level LUE interrupt
Switch Lookup Engine Control 0 Register , Switch Lookup Engine Control 1 Register , Switch Lookup Engine Control 2 Register , Switch Lookup Engine Control 3 Register	Misc.
Address Lookup Table Interrupt Register , Address Lookup Table Mask Register	Low level LUE interrupts
Address Lookup Table Entry Index 0 Register , Address Lookup Table Entry Index 1 Register	Access failure address/index
ALU Table Index 0 Register , ALU Table Index 1 Register , ALU Table Access Control Register , Static Address and Reserved Multicast Table Control Register , ALU / Static Address Table Entry 1 Register , ALU / Static Address / Reserved Multicast Table Entry 2 Register , ALU / Static Address Table Entry 3 Register , ALU / Static Address Table Entry 4 Register	Address table access registers

4.4.3 IEEE 802.1Q VLAN

Virtual LAN is a means of segregating a physical network into multiple virtual networks whereby traffic may be confined to specific subsets of the greater network. IEEE 802.1Q defines a VLAN protocol using a 4-byte tag that is added to the Ethernet frame header. The device supports port-based and tag-based VLANs, including tagging, un-tagging, forwarding and filtering.

4.4.3.1 Non-Tag Port-Based VLAN

The simplest VLAN method establishes forwarding restrictions on a port-by-port basis without using VLAN tags. There is a register for each ingress port that is used to specify the allowed forwarding ports. An incoming packet is restricted from being forwarded to any egress port that is disallowed for that ingress port. The settings are made in the [Port Control 1 Register](#). This function is always enabled; it is not enabled and disabled by the 802.1Q VLAN Enable bit in the [Switch Lookup Engine Control 0 Register](#). The default setting is to allow all ingress-to-egress port paths.

4.4.3.2 Tag-Based VLAN

When 802.1Q VLAN is enabled, an internal VLAN Table with 4k entries is used to store port membership list, VLAN group ID (FID) and additional information relating to each VLAN. This table must be set up by an administrator prior to enabling 802.1Q VLAN. Enabling is done by setting the 802.1Q VLAN Enable bit in the [Switch Lookup Engine Control 0 Register](#).

In 802.1Q VLAN mode, the lookup process starts with VLAN Table lookup, using the tag's VID as the address. The first step is to determine whether the VID is valid. If the VID is not valid, the packet is dropped and its address is not learned. Alternatively, unknown VID packets may be forwarded to pre-defined ports or to the host port. If the VID is valid, the FID is retrieved for further lookup. The FID + Destination Address (hashed(DA) + FID) are used to determine the destination port. The FID + Source Address (hashed(SA) + FID) are used for address learning (see [Table 4-9](#) and [Table 4-10](#)).

The hashed(DA) + FID are hashed and used for forwarding lookup in the Address Lookup and Static Address Tables. For a successful address table lookup, the FID fields must also match. If the match fails, the packet is broadcast to all the VLAN port members defined in the VLAN Table entry. If there is a match and egress VLAN filtering is enabled, the packet is forwarded to those ports that are in both the address table port forwarding list and the VLAN table port membership list.

A similar address table lookup is performed using the hashed(SA) + FID. If the lookup fails, the FID and SA are learned.

If a non-tagged or null-VID-tagged packet is received, the ingress port default VID ([Port Default Tag 0 Register](#) and [Port Default Tag 1 Register](#)) is used for lookup.

[Table 4-8](#) details the forwarding and discarding actions that are taken for the various VLAN scenarios. The first entry in the table is explained by the fact that VLAN Table lookup is enabled even when 802.1Q VLAN is not enabled. Notice that in the [Port Default Tag 0 Register](#) and [Port Default Tag 1 Register](#), the port default VID is 1 for each port. Correspondingly, the VLAN port membership list in the VLAN Table entry for VID=1 is pre-configured at power-on to all ones. This provides the standard Ethernet switch behavior of broadcasting all packets with unknown destination address. If the VLAN table entry # 1 is changed, or if the port default VID is changed, this may affect the forwarding action for “unknown packets” even when VLAN is not enabled.

It should also be noted that the default values of the Egress VLAN Filtering bits are zero. These bits are zero only for backwards compatibility with previous “KSZ” switches. The resulting switch behavior, in the event of a successful VLAN and ALU lookups, is to forward the packet to the ports in the address table port forwarding list, without regard to the VLAN port membership list. It is suggested that the Egress VLAN Filtering bits be set to one so that the VLAN port membership list from the VLAN Table will be used to qualify the forwarding determined from the address lookup.

TABLE 4-8: VLAN FORWARDING

VLAN Enable (Note 4-1)	VLAN Match/ Valid (Note 4-2)	Forward Option (Note 4-3)	Egress VLAN Filtering (Note 4-4)	Unknown VID Forward (Note 4-5)	Drop Invalid VID (Note 4-6)	ALU Match/ Valid (Note 4-7)	Action
0	X	X	X	X	X	No	Forward to port membership list of default VID in LAN table
0	X	X	X	X	X	Yes	Forward to Address Lookup port forwarding list
1	No	X	X	0	0	X	Forward to host port
1	No	X	X	0 (def)	1 (def)	X	Discard
1	No	X	X	1	X	X	Forward to Unknown VID packet forward port list
1	Yes	0	X	X	X	No	Broadcast: Forward to VLAN table port membership list (PORT FORWARD) Multicast: Forward to Unknown Multicast ports if UM is enabled. Else, forward to VLAN table port membership list. Unicast: Forward to Unknown Unicast ports if UU is enabled. Else forward to VLAN table port membership list.
1	Yes	0	0 (def)	X	X	Yes	Forward to address table lookup port forwarding list
1	Yes	0	1	X	X	Yes	Forward to address table lookup port forwarding list & VLAN table port membership list (bitwise AND)
1	Yes	1	X	X	X	Yes	Forward to VLAN table port membership list

KSZ9897S

Note: “(def)” indicates the default power-up value.

Note 4-1 **VLAN Enable** is bit 7 in the [Switch Lookup Engine Control 0 Register](#)

Note 4-2 **VLAN Match/Valid** indicates when the VLAN Table entry is valid

Note 4-3 **Forward Option** is a bit in the [VLAN Table Entry 0 Register](#)

Note 4-4 **Egress VLAN Filtering** are bits 5 and 4 in the [Switch Lookup Engine Control 2 Register](#)

Note 4-5 **Unknown VID Forwarding** is in the [Unknown VLAN ID Control Register](#)

Note 4-6 **Drop Invalid VID** is bit 6 in the [Switch Lookup Engine Control 0 Register](#)

Note 4-7 **ALU Match/Valid** indicates when the Address Lookup is a success

[Table 4-9](#) describes in more detail the address lookup process that follows the VLAN Table lookup. Lookup occurs in both the Address Lookup Table and the Static Address Table simultaneously, and the resulting action depends on the results of the two lookups.

TABLE 4-9: HASHED(DA) + FID LOOKUP IN VLAN MODE

DA Found in Static MAC Table?	Use FID Flag? (Static MAC Table)	FID Match?	DA+FID Found in ALU Table?	Action
No	Don't Care	Don't Care	No	Lookup has failed. Broadcast to the membership ports defined in the VLAN Table
No	Don't Care	Don't Care	Yes	Send to the destination port defined in the Address Lookup (ALU) Table
Yes	0	Don't Care	Don't Care	Send to the destination port(s) defined in the Static Address Table
Yes	1	No	No	Lookup has failed. Broadcast to the membership ports defined in the VLAN Table.
Yes	1	No	Yes	Send to the destination port defined in the Address Lookup (ALU) Table
Yes	1	Yes	Don't Care	Send to the destination port(s) defined in the Static Address Table

A source address (SA) lookup is also performed in the Address Lookup Table. SA lookup also performs SA filtering and MAC priority when the address is hit. [Table 4-10](#) describes how learning is performed in the Address Lookup Table when a successful VLAN table lookup has been done and the no matching static entry is found in the Address Lookup Table or the Static Address Table.

TABLE 4-10: HASHED(SA) + FID LOOKUP IN VLAN MODE

FID + SA Found in Address Lookup (ALU) Table?	Action
No	Learn and add FID + SA to the Address Lookup (ALU) Table
Yes	Update time stamp

4.4.3.2.1 Tag Insertion and Removal

Tag insertion is enabled on all ports when the VLAN feature is enabled. At the ingress port, untagged packets are tagged with the ingress port's default tag. The default tag is separately programmable for each port. The switch does not add tags to already tagged packets unless double tagging is enabled.

At the egress port, tagged packets will have their 802.1Q VLAN tags removed if un-tagging is enabled in the VLAN table entry. This feature is controlled on a per-port basis. Untagged packets will not be modified if 802.1Q is enabled.

4.4.3.2.2 Double Tagging

The switch supports double tagging, also known as Q-in-Q or VLAN stacking. This feature can be used for service providers to append a second VLAN tag in addition to a first VLAN tag applied by the customer. VLAN support can be enabled either with or without double tagging. When double tagging is enabled, the outer tag is recognized and is used for VLAN and address lookup instead of the inner tag. The outer tag precedes the inner tag in the frame header: the outer tag is located immediately after the source address, and contains a different Tag Protocol Identifier (TPID) value than the inner tag.

Additional controls are available for full control of the VLAN function. Some of these features can be enabled on a per-port basis, while others are global:

- **Ingress VLAN Filtering:** Discard packet if VID port membership in VLAN table does not include the ingress port.
- **Discard non PVID Packet:** Discard packet if VID does not match the ingress port default VID.
- **Discard un-tagged Packet:** Discard any received packet without a tag.
- **Drop tag:** Drops the packet if it is VLAN tagged.
- **Unknown VID Forward:** Forward to a fixed set of ports if VLAN lookup fails.
- **Drop unknown VID:** Additional options for unknown VID packets: discard or forward to the host port.
- **Null VID Replacement:** Replace a null VID with the ingress port default VID.
- **PVID Replacement:** Replace a non-null VID with the ingress port default VID.
- **Double Tag Mcast Trap:** In double tag mode, trap all reserved multicast packets and forward to the host port.

4.4.3.3 VLAN Registers

Table 4-11 provides a list of VLAN related registers.

TABLE 4-11: VLAN REGISTERS

Registers	Description
Switch Operation Register	Double tag enable
Switch Lookup Engine Control 0 Register	VLAN enable; Drop invalid VID frames
Switch Lookup Engine Control 2 Register	Trap double tagged MC frames; Dynamic & status egress VLAN filtering
Unknown VLAN ID Control Register	Forward unknown VID
Switch MAC Control 2 Register	Null VID replacement with PVID at egress
VLAN Table Entry 0 Register , VLAN Table Entry 1 Register , VLAN Table Entry 2 Register , VLAN Table Index Register , VLAN Table Access Control Register	Read/write access to the VLAN table
Port Default Tag 0 Register , Port Default Tag 1 Register	Port default tag
Port Ingress MAC Control Register	Drop non-VLAN frames; Tag drop
Port Transmit Queue PVID Register	PVID replacement at egress
Port Control 2 Register	VLAN table lookup for VID=0; Ingress VLAN filtering; PVID mismatch discard

KSZ9897S

4.4.4 QUALITY-OF-SERVICE (QOS) PRIORITY SUPPORT

The device provides quality-of-service (QoS) for applications such as VoIP. There are multiple methods for assigning priority to ingress packets. Depending on the packet prioritization method, the packet priority levels are mapped to the egress queues for each port. Each port can be configured for 1, 2, and 4 egress queues, which are prioritized. The default is 1 queue per port.

When configured for 4 priority queues, Queue 3 is the highest priority queue and Queue 0 is the lowest priority. Likewise, for a 2-queue configuration, Queue 1 is the highest priority queue. If a port is not configured as 2 or 4 queues, then high priority and low priority packets have equal priority in the single transmit queue.

There is an additional option for every port to select either to always deliver packets from the highest priority queue first, or use weighted round robin queuing amongst the multiple queues. This is described later in [Section 4.4.13, "Scheduling and Rate Limiting"](#).

4.4.4.1 Port-Based Priority

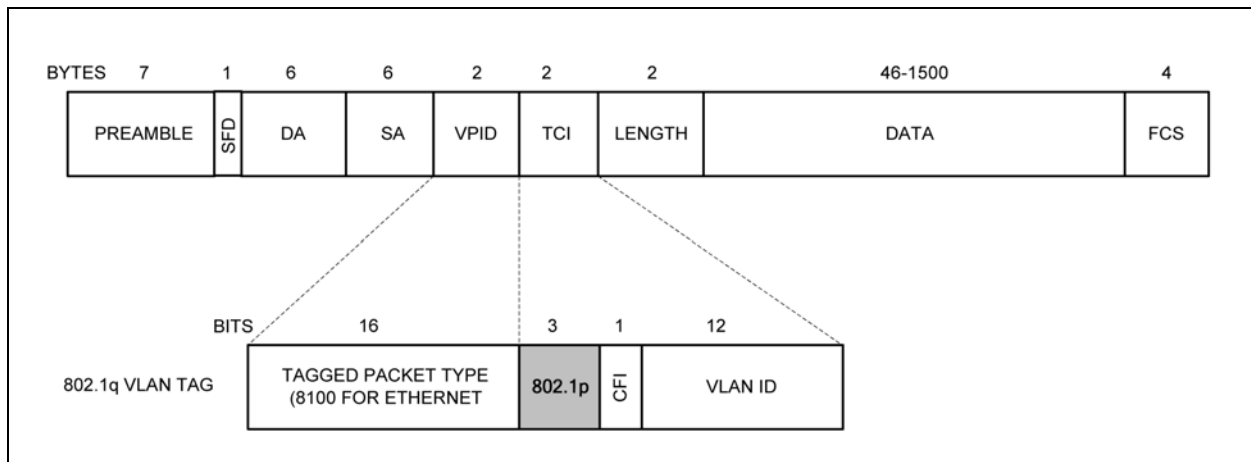
With port-based priority, each ingress port is individually classified as a specific priority level. All packets received at the high-priority receiving port are marked as high priority and are sent to the high-priority transmit queue if the corresponding transmit queue is split into 2 or 4 queues.

4.4.4.2 IEEE 802.1p-Based Priority

For IEEE 802.1p-based priority, the device examines the ingress packets to determine whether they are tagged. If tagged, the 3-bit PCP priority field in the VLAN tag is retrieved and used to look up the "priority mapping" value. The "priority mapping" value is programmable.

[Figure 4-4](#) illustrates how the 802.1p priority field is embedded in the 802.1Q VLAN tag.

FIGURE 4-4: 802.P PRIORITY FIELD FORMAT



4.4.4.3 IEEE 802.1p Priority Field Re-Mapping

This is a QoS feature that allows the device to set the "User Priority Ceiling" at any ingress port. If the ingress packet's priority field has a higher priority value than the default tag's priority field of the ingress port, the packet's priority field is replaced with the default tag's priority field.

4.4.4.4 DiffServ (DSCP) Priority (IP)

DiffServ-based priority from the DSCP field in the IP header can be used to determine packet priority. The 6-bit DSCP value is used as an index to a set of registers which translate the 6-bit DSCP value to a 2-bit value that specifies one of the 4 (or 2) queues. These registers are fully programmable.

4.4.4.5 ACL Priority

The Access Control List (ACL) Filtering feature can also be used to assign priority to received packets. This is discussed in [Section 4.4.16, "Access Control List \(ACL\) Filtering"](#).

4.4.5 TRAFFIC CONDITIONING & POLICING

4.4.5.1 Two Rate Three Color Marker

The Two Rate Three Color Marker meters an IP packet stream and marks its packets green, yellow, or red. A packet is marked red if it exceeds the Peak Information Rate (PIR). Otherwise, it is marked either yellow or green depending on whether it exceeds or doesn't exceed the Committed Information Rate (CIR).

The Meter operates in one of two modes. In the Color-Blind mode, the Meter assumes that the packet stream is uncolored. In the Color-Aware mode, the Meter assumes that some preceding entity has pre-colored the incoming packet stream so that each packet is green, yellow, or red. The Marker (re)colors an IP packet according to the results of the Meter.

4.4.5.2 Weighted Random Early Detection (WRED)

The WRED feature monitors the average queue size of packet memory and ingress queue size of each traffic class, and drops packets based on memory and queue utilization. If the buffers are almost empty, all incoming traffic is accepted. As the buffer utilization increases, the probability for dropping an incoming packet also increases.

WRED is intended to avoid the problem of global synchronization. Global synchronization can occur when a switch becomes congested and begins dropping incoming packets all at once. For TCP streams, packet drops invoke the TCP congestion control mechanism, which reduce the transmission rate until there are no more packet drops. If there are many TCP streams and their congestion control mechanisms act in unison, this can cause an undesirable oscillation in traffic rates. By selectively dropping some packets early rather than waiting until the buffer is full, WRED avoids dropping large numbers of packets at once and minimizes the chances of global synchronization.

The packet drop probability is based on the minimum threshold, maximum threshold, and a probability multiplier. When the average queue depth is above the minimum threshold, packets start getting dropped. The rate of packet drop increases linearly as the average queue size increases until the average queue size reaches the maximum threshold. The probability multiplier is the fraction of packets dropped when the average queue depth is at the maximum threshold. When the average queue size is above the maximum threshold, all packets are dropped.

4.4.6 SPANNING TREE SUPPORT

To support spanning tree, one port is the designated port for the host processor, which is defined as the port for which tail tagging is enabled. Each of the other ports can be configured in one of the five spanning tree states via “transmit enable”, “receive enable” and “learning disable” register bits. [Table 4-12](#) shows the setting and software actions taken for each of the five spanning tree states.

TABLE 4-12: SPANNING TREE STATES

Disable State	Port Setting	Software Action
The port should not forward or receive any packets. Learning is disabled.	transmit enable = 0 receive enable = 0 learning disable = 1	The processor should not send any packets to the port. The switch may still send specific packets to the processor (packets that match some entries in the “Static MAC Table” with “overriding bit” set) and the processor should discard those packets. Address learning is disabled on the port in this state.
Blocking State	Port Setting	Software Action
Only packets to the processor are forwarded. Learning is disabled.	transmit enable = 0 receive enable = 0 learning disable = 1	The processor should not send any packets to the port(s) in this state. The processor should program the “Static MAC Table” with the entries that it needs to receive (for example, BPDU packets). The “overriding” bit should also be set so that the switch will forward those specific packets to the processor. Address learning is disabled on the port in this state.

KSZ9897S

TABLE 4-12: SPANNING TREE STATES (CONTINUED)

Listening State	Port Setting	Software Action
Only packets to and from the processor are forwarded. Learning is disabled.	transmit enable = 0 receive enable = 0 learning disable = 1	The processor should program the “Static MAC Table” with the entries that it needs to receive (for example, BPDU packets). The “overriding” bit should be set so that the switch will forward those specific packets to the processor. The processor may send packets to the port(s) in this state. Address learning is disabled on the port in this state.
Learning State	Port Setting	Software Action
Only packets to and from the processor are forwarded. Learning is enabled.	transmit enable = 0 receive enable = 0 learning disable = 0	The processor should program the “Static MAC Table” with the entries that it needs to receive (for example, BPDU packets). The “overriding” bit should be set so that the switch will forward those specific packets to the processor. The processor may send packets to the port(s) in this state. Address learning is enabled on the port in this state.
Forwarding State	Port Setting	Software Action
Packets are forwarded and received normally. Learning is enabled.	transmit enable = 1 receive enable = 1 learning disable = 0	The processor programs the “Static MAC Table” with the entries that it needs to receive (for example, BPDU packets). The “overriding” bit is set so that the switch forwards those specific packets to the processor. The processor can send packets to the port(s) in this state. Address learning is enabled on the port in this state.

4.4.7 RAPID SPANNING TREE SUPPORT

There are three operational states assigned to each port for the Rapid Spanning Tree Protocol (RSTP):

1. [Discarding State](#)
2. [Learning State](#)
3. [Forwarding State](#)

4.4.7.1 Discarding State

Discarding ports do not participate in the active topology and do not learn MAC addresses.

- Discarding state: the state includes three states of the disable, blocking and listening of STP.
- Port setting: transmit enable = “0”, receive enable = “0”, learning disable = “1”.
- Software action: The host processor should not send any packets to the port. The switch may still send specific packets to the processor (packets that match some entries in the static table with “overriding bit” set) and the processor should discard those packets. When the port’s learning capability (learning disable = ‘1’) is disabled, port related entries in the ALU table and static MAC table can be rapidly flushed.

4.4.7.2 Learning State

Ports in “learning state” learn MAC addresses, but do not forward user traffic.

- Learning State: Only packets to and from the host processor are forwarded. Learning is enabled.
- Port setting for Learning State: transmit enable = “0”, receive enable = “0”, learning disable = “0”.
- Software action: The processor should program the Static Address Table with the entries that it needs to receive (e.g., BPDU packets). The “overriding” bit should be set so that the switch will forward those specific packets to the processor. The processor may send packets to the port(s) in this state (see [Section 4.4.9, “Tail Tagging Mode”](#) for details). Address learning is enabled on the port in this state.

4.4.7.3 Forwarding State

Ports in “forwarding states” fully participate in both data forwarding and MAC learning.

- Forwarding state: Packets are forwarded and received normally. Learning is enabled.
- Port setting: transmit enable = “1”, receive enable = “1”, learning disable = “0”.

- Software action: The host processor should program the Static Address Table with the entries that it needs to receive (e.g., BPDUs). The “overriding” bit should be set so that the switch will forward those specific packets to the processor. The processor may send packets to the port(s) in this state (see [Section 4.4.9, "Tail Tagging Mode"](#) for details). Address learning is enabled on the port in this state.

RSTP uses only one type of BPDU called RSTP BPDUs. They are similar to STP configuration BPDUs with the exception of a type field set to “version 2” for RSTP and “version 0” for STP, and a flag field carrying additional information.

4.4.8 MULTIPLE SPANNING TREE SUPPORT

Multiple Spanning Tree Protocol (MSTP) is an extension of RSTP that allows different VLANs to have different spanning tree configurations. The VLAN Table, Address Lookup Table, Static Address Table and Reserved Multicast Address Table all contain a 3-bit field which can be used to specify one of eight spanning trees. Each port contains state registers for specifying unique states for each of the spanning trees.

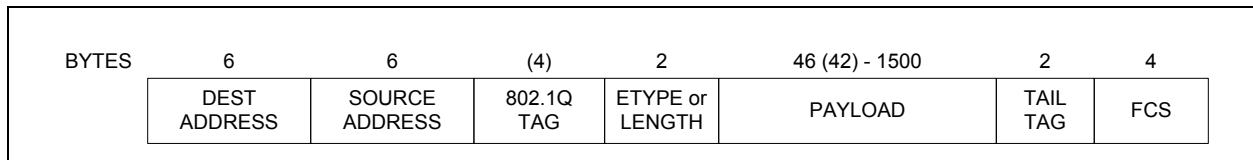
4.4.9 TAIL TAGGING MODE

Tail tagging is a method to communicate ingress and egress port information between the host processor and the switch. It is useful for spanning tree protocol, IGMP/MLD snooping, and other applications.

When the switch forwards a frame to the host port, two tail tagging bytes are added to the frame by the switch to indicate to the host processor the port that the frame was received on. In the other direction, the host processor adds the tail tagging bytes to a frame to indicate the intended egress destination port to the switch. When multiple priority queues are enabled, the tail tag is also used to indicate the priority queue. The tail tagging bytes are removed before the frame egresses the switch. Tail tagging may be enabled on any one port, and this defines the host port. Tail tagging must not be enabled on multiple ports.

Tail tagging is implemented by inserting two additional bytes at the end of the packet, between the data field and the 4-byte CRC / FCS, as shown in [Figure 4-5](#).

FIGURE 4-5: TAIL TAG FRAME FORMAT



4.4.10 IGMP SUPPORT

For Internet Group Management Protocol (IGMP) support in Layer 2, the device provides two components:

- “[IGMP](#)” Snooping
- “[Multicast Address Insertion](#)” in the Static MAC Table

4.4.10.1 “IGMP” Snooping

The device traps IGMP packets and forwards them only to the processor (host port). The IGMP packets are identified as IP packets (either Ethernet IP packets, or IEEE 802.3 SNAP IP packets) with IP version = 0x4 and protocol version number = 0x2.

Note: The port for which [Tail Tagging Mode](#) is enabled is the host port.

4.4.10.2 “Multicast Address Insertion” in the Static MAC Table

Once the multicast address is programmed in the Static Address Table or Address Lookup Table, the multicast session is trimmed to the subscribed ports, instead of broadcasting to all ports.

So that the host processor knows which port the IGMP packet was received on, [Tail Tagging Mode](#) must be enabled.

4.4.11 IPV6 MLD SNOOPING

The device traps IPv6 Multicast Listener Discovery (MLD) packets and forwards them only to the processor (host port).

KSZ9897S

4.4.12 PORT MIRRORING

the device supports “port mirroring” comprehensively as:

- “Receive Only” Mirror-on-a-Port
- “Transmit Only” Mirror-on-a-Port
- “Receive and Transmit” Mirror-on-a-Port

4.4.12.1 “Receive Only” Mirror-on-a-Port

All the packets received on the port are mirrored on the sniffer port. For example, 1 is programmed to be “receive sniff” and the host port is programmed to be the “sniffer”. A packet received on port 1 is destined to port 2 after the internal lookup. The packet is forwarded to both port 2 and the host port. The device can optionally even forward “bad” received packets to the “sniffer port”.

4.4.12.2 “Transmit Only” Mirror-on-a-Port

All the packets transmitted on the port are mirrored on the sniffer port. For example, port 1 is programmed to be “transmit sniff” and the host port is programmed to be the “sniffer port”. A packet received on port 2 is destined to port 1 after the internal lookup. The device forwards the packet to both port 1 and the host port.

4.4.12.3 “Receive and Transmit” Mirror-on-a-Port

All the packets received on port A and transmitted on port B are mirrored on the sniffer port. For example, port 1 is programmed to be “receive sniff”, port 2 is programmed to be “transmit sniff”, and the host port is programmed to be the “sniffer port”. A packet received on port 1 is destined to port 2 after the internal lookup. The device forwards the packet to both port 2 and the host port.

Multiple ports can be selected as “receive sniff” or “transmit sniff”. In addition, any port can be selected as the “sniffer port”.

4.4.13 SCHEDULING AND RATE LIMITING

Each device port has two egress packet scheduling options, which can be applied when the port is configured for two or four queues. Additionally, each port has ingress and egress rate limiter features.

4.4.13.1 Strict Priority Scheduling

When an egress port is configured as two or four queues, and strict priority scheduling is selected, each queue will take absolute priority over all lower priority queues. If a packet is available to transmit from queue 3 (the highest priority queue), then it will take priority for transmission over any packet that will also be available in any of the other queues. A packet in queue 2 will be transmitted only if no packet is available in queue 3. Weighted round robin is an alternative to strict priority scheduling.

4.4.13.2 Weighted Round Robin (WRR) Scheduling

WRR scheduling is an alternative to strict priority scheduling for egress queues. It is referred to as fair queuing because it gives proportionally higher priority to the highest priority queue, but not absolute priority.

4.4.13.3 Rate Limiting

The device supports independent ingress and egress hardware rate limiting on each port. Normally these two features are considered mutually exclusive, and users are discouraged from using both on the same port.

For 10BASE-T_e, a rate setting above 10Mbps means the rate is not limited. Likewise, for 100BASE-TX, a rate setting above 100Mbps means the rate is not limited. On the receive side, the data receive rate for each priority at each port can be limited by setting up ingress rate control registers. On the transmit side, the data transmit rate for each priority queue at each port can be limited by setting up egress rate control registers. The size of each frame has options to include minimum inter-frame gap (IFG) or preamble byte, in addition to the data field (from packet DA to FCS).

For ingress rate limiting, the device provides options to selectively choose frames from all types, multicast, broadcast, and flooded unicast frames. The data rate from those selected type of frames is counted. Packets are dropped at the ingress port when the data rate exceeds the specified rate limit.

For egress rate limiting, the leaky bucket algorithm is applied to each output priority queue for shaping output traffic. Inter-frame gap is stretched on a per frame base to generate smooth, non-burst egress traffic. The throughput of each output priority queue is limited by the egress rate specified.

If any egress queue receives more traffic than the specified egress rate throughput, packets may be accumulated in the output queue and packet memory. After the memory of the queue or the port is used up, packet dropping or flow control will be triggered. As a result of congestion, the actual egress rate may be dominated by flow control/dropping at the ingress end, and may be therefore slightly less than the specified egress rate.

To reduce congestion, it is a good practice to ensure that the egress bandwidth exceeds the ingress bandwidth.

4.4.14 INGRESS MAC ADDRESS FILTERING FUNCTION

When a packet is received, the destination MAC address is looked up in both the static and dynamic MAC address tables. If the address is not found in either of these tables, then the destination MAC address is “unknown”. By default, an unknown packet is forwarded to all ports except the port at which it was received. An optional feature makes it possible to specify the port or ports to which to forward unknown packets. It is also possible to specify no ports, meaning that unknown packets will be discarded. This feature is implemented separately for unknown unicast, unknown multicast and unknown VID packets.

4.4.15 802.1X ACCESS CONTROL

IEEE 802.1X is a Port-based authentication protocol. EAPOL is the protocol normally used by the authentication process as uncontrolled Port. By receiving and extracting special EAPOL frames, the host processor can control whether the ingress and egress ports should forward packets or not. If a user port wants service from another port (authenticator), it must get approved by the authenticator. The device detects EAPOL frames by checking the destination address of the frame. The destination addresses should be either a multicast address as defined in IEEE 802.1x (01-80-C2-00-00-03) or an address used in the programmable reserved multicast address domain with offset -00-03. Once EAPOL frames are detected, the frames are forwarded to the host port so it can send the frames to the authenticator server. Eventually, the CPU determines whether the requester is qualified or not based on its source MAC address, and frames are either accepted or dropped.

When the device is configured as an authenticator, the ports of the switch must then be configured for authorization. In an authenticator-initiated port authorization, a client is powered up or plugs into the port, and the authenticator port sends an Extensible Authentication Protocol (EAP) PDU to the supplicant requesting the identification of the supplicant. At this point in the process, the port on the switch is connected from a physical standpoint; however, the 802.1X process has not authorized the port and no frames are passed from the port on the supplicant into the switching fabric. If the supplicant attached to the switch (KSZ9897S) did not understand the EAP PDU that it was receiving from the switch, it would not be able to send an ID and the port would remain unauthorized. In this state, the port would be blocked from passing any user traffic. If the supplicant is running the 802.1X EAP, it would respond to the request with its configured ID. (This could be a user name/password combination or a certificate.)

After the device receives the ID from the supplicant, it passes the ID information to an authentication server (RADIUS server) that can verify the identification information. The RADIUS server responds to the switch with either a success or failure message. If the response is a success, the port will be authorized and user traffic will be allowed to pass through the port like any switch port connected to an access device. If the response is a failure, the port will remain unauthorized and, therefore, unused. If there is no response from the server, the port will also remain unauthorized and will not pass any traffic.

Port control can be performed via the [Access Control List \(ACL\) Filtering](#) feature.

4.4.16 ACCESS CONTROL LIST (ACL) FILTERING

An Access Control List (ACL) can be created for each port to perform filtering on incoming layer 2 MAC, layer 3 IP or layer 4 TCP/UDP packets. Multicast filtering is handled in the Static Address Table and the Reserved Multicast Address Table, but the ACL provides additional capabilities for filtering routed network protocols. As shown in [Figure 4-3](#), ACL filtering may take precedence over other forwarding functions.

The ACL allows the switch to filter ingress traffic based on the following header fields:

- Source or destination MAC address and/or EtherType
- Source or destination IPv4 address with programmable mask
- IPv4 protocol
- Source or destination UDP port
- Source or destination TCP port
- TCP Flag with programmable mask

KSZ9897S

The ACL is implemented as an ordered list of up to 16 access control rules which are programmed into the ACL Table. Each entry specifies certain rules (a set of matching conditions and action rules) to control the forwarding and priority of packets. When a packet is received on an interface, the switch compares the fields in the packet against any applied ACLs to verify that the packet has the permissions required to be forwarded, based on the conditions specified in the lists. Multiple match conditions can be either AND'ed or OR'ed together.

The ACL can also implement a count function that generates an interrupt rather than a forwarding action. The counter can be either a watchdog timer or an event counter. As a watchdog timer, an interrupt is generated if a packet with a specific MAC address and EtherType is not received within a specified time interval. As an event counter, an interrupt is generated once a specified number of packets with a specific MAC address and EtherType have been received.

The ACL consists of three parts: matching rules, action rules, and processing entries. A matching rule specifies what comparison test shall be performed on the incoming packet. It can also enable a counter function. An action rule specifies the forwarding action to be taken if the matching test succeeds. Alternatively, when a count function is enabled in a matching rule, the 11-bit count value is stored in the corresponding action rule field and there is no forwarding action.

In general, the 16 matching rules are not directly linked to the 16 action rules. For example, matching entry #0 is not necessarily related to action entry #0. The exception is when the counter function is enabled in a matching rule, whereby the matching rule and action rule fields at the same ACL table entry will function together and are no longer independent.

Each of the 16 processing entries is used to link any number of matching rules (specified in RuleSet) to any one action rule (specified in FRN). When there are multiple matching rules in a RuleSet, those rules are AND'ed together. Only if all of those matching results are true will the FRN action be taken.

It is also possible to configure the ACL table so that multiple processing entries specify the same action rule. In this way, the final matching result is the OR of the matching results from each of the multiple RuleSets.

The 16 ACL rules represent an ordered list, with entry #0 having the highest priority and entry #15 having the lowest priority. All matching rules are evaluated. If there are multiple true match results and multiple corresponding actions, the highest priority (lowest numbered) of those actions will be the one taken.

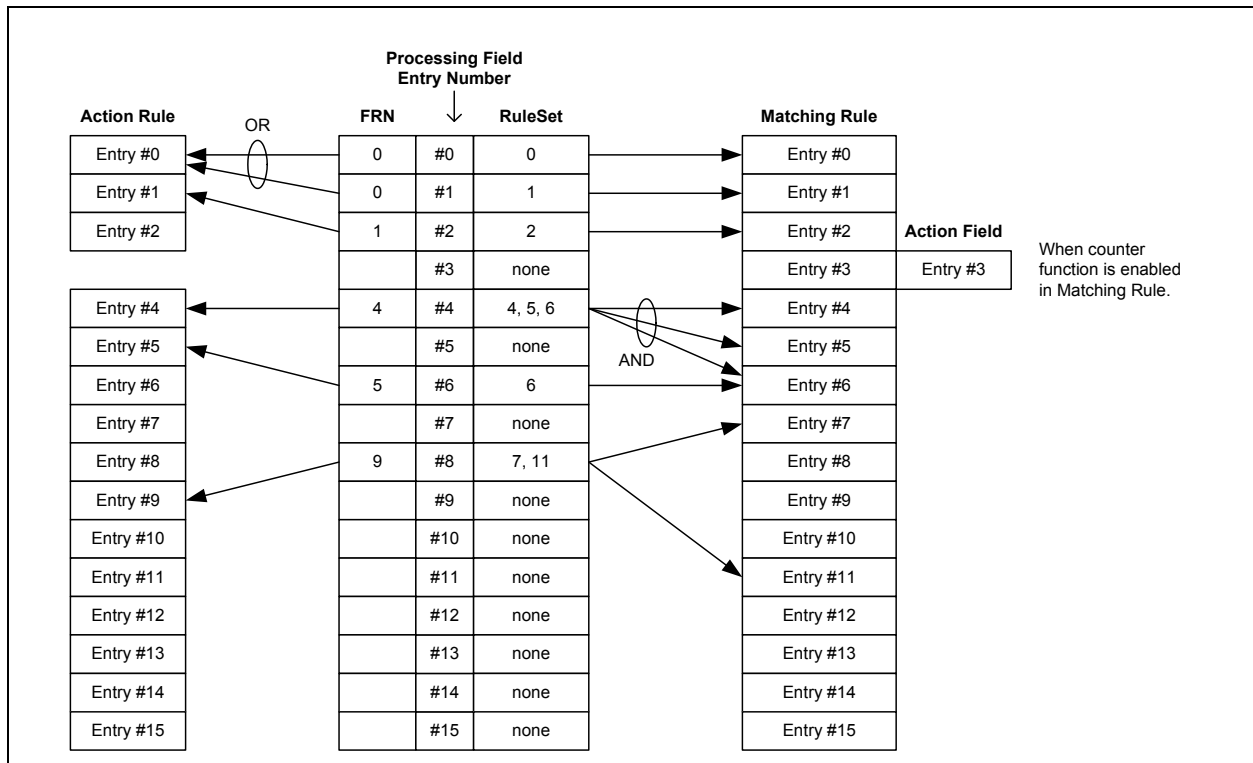
4.4.16.1 Processing Entry Description

The Processing Entry consists of two parameters as described in [Table 4-13](#).

TABLE 4-13: ACL PROCESSING ENTRY PARAMETERS

Parameter	Description
FRN[3:0]	First Rule Number Pointer to an Action rule entry. Possible values are 0 to 15. If all Matching rules specified in the RuleSet are evaluated true, then this is the resulting Action rule.
RuleSet[15:0]	Specifies a set of one or more Matching rule entries. RuleSet has one bit for each of the 16 Matching rule entries. If multiple Matching rules are selected, then all conditions will be AND'ed to produce a final match result. 0 = Matching rule not selected 1 = Matching rule selected

FIGURE 4-6: ACL STRUCTURE AND EXAMPLE RULE VALUES



The examples in [Figure 4-6](#) are interpreted as follows:

- Rule #0: Test the matching rule entry #0. If true, apply action rule entry #0.
- Rule #1: Test the matching rule entry #1. If true, apply action rule entry #0.
- Rule #2: Test the matching rule entry #2. If true, apply action rule entry #1.
- Matching rule entry #3 is configured for the counter function. Action entry #3 is used to hold the corresponding count value.
- Rule #4: Test the matching rule entries #4, 5 and 6. If all are true, apply action rule entry #4.
- Rule #6: Test the matching rule entry #6. If true, apply action rule entry #5.
- Rule #8: Test the matching rule entries #7 and 11. If both are true, apply action rule entry #9.

No more than one action can be taken for any packet. If the matching conditions are true for multiple RuleSets, then the corresponding FRN field with the lowest value (highest priority) determines the action to be taken.

Note that processing entries #0 and 1 produce an OR function: action #0 is taken if RuleSet #0 or RuleSet #1 is true.

Notice that processing entries #4 and 6 have overlapping RuleSets, but different FRNs. This can be summarized as:

If match #4, 5 and 6 are all true, then apply action #4,
 Else if match #6 is true, then apply action #5.

KSZ9897S

Table 4-14 summarizes the available matching options. The MD and ENB fields are used to select the desired matching option. More configuration details are given in the following section.

TABLE 4-14: MATCHING RULE OPTIONS

MD[1:0]	ENB[1:0]	Matching Rule
00	XX	Matching rule disabled
01 (Layer 2 matching: MAC address, EtherType)	00	Action field is used as count value for packets matching MAC address and EtherType
	01	Compare MAC address only
	10	Compare EtherType only
	11	Compare both MAC address and EtherType
10 (Layer 3 matching: IP address)	00	Reserved
	01	Compare IPv4 source and destination address (with mask)
	10	Compare both source and destination IPv4 addresses (without mask)
	11	Reserved
11 (Layer 4 matching: TCP, UDP, IP protocol)	00	Compare IPv4 protocol
	01	Compare TCP source port or destination port
	10	Compare UDP source port or destination port
	11	Compare TCP sequence number

4.4.16.2 Matching Rule Description

The Matching Rule consists of several parameters. The first two parameters, MD[1:0] and ENB[1:0], determine the organization of the remainder of each Matching Rule.

When MD = 00, the Matching Rule is disabled.

TABLE 4-15: ACL MATCHING RULE PARAMETERS FOR MD = 01

Parameter	Description
MD[1:0]	MODE 00 = Matching rule is disabled 01 = Layer 2 MAC header or counter filtering 10 = Layer 3 IP header filtering 11 = Layer 4 TCP header (and IP protocol) filtering
ENB[1:0]	00 = Count Mode. Both the MAC Address and TYPE are tested. A count value (either time or packet count) is also incorporated. Details are given below this table. 01 = Comparison is performed only on the MAC Address value 10 = Comparison is performed only on the TYPE value 11 = Both the MAC Address and TYPE are tested
S/D	Source / Destination 0 = Destination address 1 = Source address
EQ	Equal / Not Equal 0 = Not Equal produces true result 1 = Equal produces true result
MAC ADDRESS[47:0]	48-bit MAC address
TYPE[15:0]	EtherType

Details for MD = 01, ENB = 00:

The 11 bits of the aggregated bit fields from PM, P, RPE, RP and MM in the Action rule entry specify a count value for packets matching MAC Address and TYPE in the Matching Field.

The count unit is determined by the TU bit (located in the Action rule).

- When 0, the unit is microsecond.
- When 1, the unit is millisecond.

The CA bit (located in the Action rule) determines the algorithm used to generate an interrupt when the count terminates.

- When 0, an 11-bit counter will be loaded with the count value from the list and start counting down every unit time. An interrupt will be generated when the timer expires, i.e. the next qualified packet has not been received within the period specified by the value.
- When 1, the counter is incremented with every matched packet received. An interrupt is generated when the terminal count is reached. The count resets thereafter. Time units are not used in this mode.

TABLE 4-16: ACL MATCHING RULE PARAMETERS FOR MD = 10

Parameter	Description
MD[1:0]	MODE 00 = Matching rule is disabled 01 = Layer 2 MAC header or counter filtering 10 = Layer 3 IP header filtering 11 = Layer 4 TCP header (and IP protocol) filtering
ENB[1:0]	00 = Reserved 01 = IPv4 source or destination address (with mask) 10 = IPv4 source and destination address (without mask) 11 = Reserved
S/D	Source / Destination 0 = Destination address 1 = Source address
EQ	Equal / Not Equal 0 = Not Equal produces true result 1 = Equal produces true result
IP ADDRESS[31:0]	IPv4 address Source or destination address (determined by S/D) when ENB = 01, Source address when ENB = 10
IP MASK[31:0]	Mask bits for the IPv4 address when ENB = 01: 0 = This bit of the address is compared 1 = This bit of the address is not compared Destination IPv4 address when ENB = 10

TABLE 4-17: ACL MATCHING RULE PARAMETERS FOR MD = 11

Parameter	Description
MD[1:0]	MODE 00 = Matching rule is disabled 01 = Layer 2 MAC header or counter filtering 10 = Layer 3 IP header filtering 11 = Layer 4 TCP header (and IP protocol) filtering
ENB[1:0]	00 = IP Protocol comparison is enabled 01 = TCP source/destination port comparison is enabled 10 = UDP source/destination port comparison is enabled 11 = TCP sequence number is compared
S/D	Source / Destination 0 = Destination address 1 = Source address
EQ	Equal / Not Equal 0 = Not Equal produces true result 1 = Equal produces true result

KSZ9897S

TABLE 4-17: ACL MATCHING RULE PARAMETERS FOR MD = 11 (CONTINUED)

Parameter	Description
MAX PORT[15:0] MIN PORT[15:0]	Max and Min Ports for TCP/UDP or TCP Sequence Number[31:0]
PC[1:0]	Port Comparison 00 = Port comparison is disabled 01 = Port matches either one of MAX or MIN 10 = Match if port number is in the range of MIN to MIN 11 = Match if port number is out of the range
PRO[7:0]	IPv4 protocol to be matched
FME	TCP Flag Match Enable 0 = TCP FLAG matching disabled 1 = TCP FLAG matching enabled
FMASK[7:0]	TCP FLAG Mask 0 = This bit of the Flag field is compared 1 = This bit of the Flag field is not compared
FLAG[7:0]	TCP Flag to be matched

4.4.16.3 Action Rule Description

TABLE 4-18: ACL ACTION RULE PARAMETERS FOR NON-COUNT MODES (MD ≠ 01 OR ENB ≠ 00)

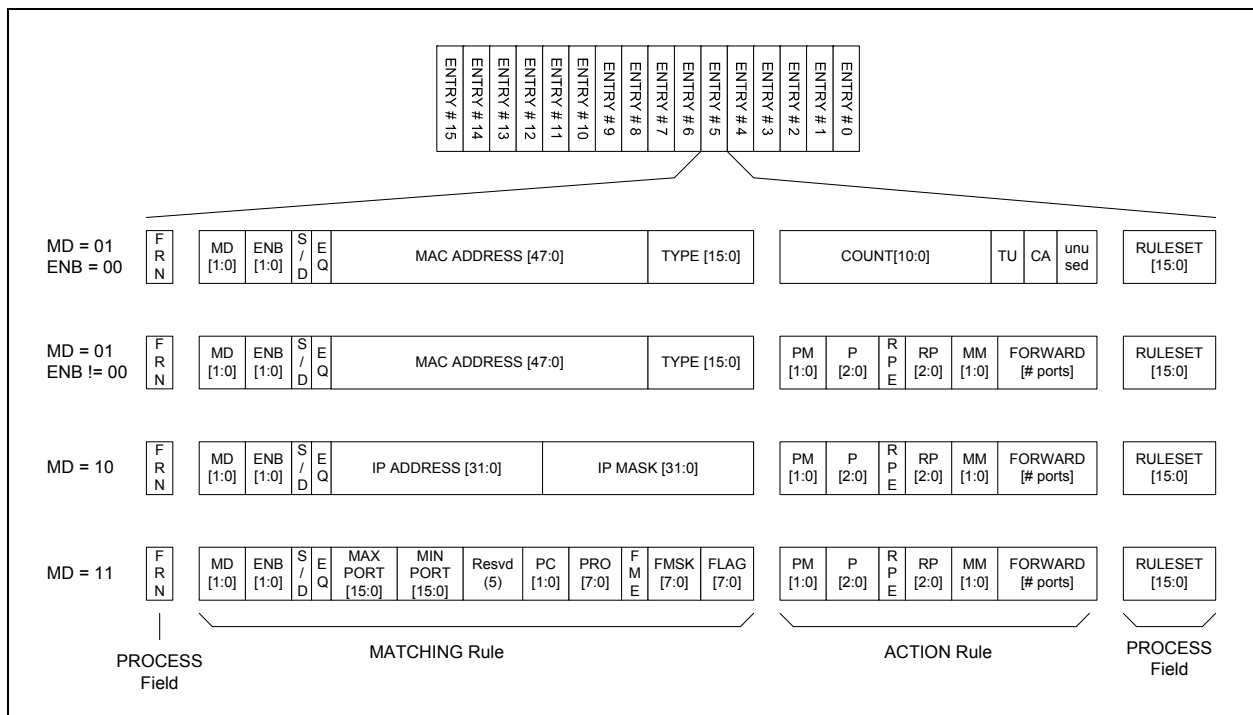
Parameter	Description
PM[1:0]	Priority Mode 00 = ACL does not specify the packet priority. Priority is determined by standard QoS functions. 01 = Change packet priority to P[2:0] if it is greater than QoS result. 10 = Change packet priority to P[2:0] if it is smaller than the QoS result. 11 = Always change packet priority to P[2:0].
P[2:0]	Priority value
RPE	Remark Priority Enable 0 = Disable priority remarking 1 = Enable priority remarking. VLAN tag priority (PCP) bits are replaced by RP[2:0].
RP[2:0]	Remark Priority value
MM[1:0]	Map Mode 00 = No forwarding remapping 01 = The forwarding map in FORWARD is OR'ed with the forwarding map from the Address Lookup Table. 10 = The forwarding map in FORWARD is AND'ed with the forwarding map from the Address Lookup Table. 11 = The forwarding map in FORWARD replaces the forwarding map from the Address Lookup Table.
FORWARD[N-1:0]	Forwarding Ports Bit 0 corresponds to port 1 Bit 1 corresponds to port 2, etc. 0 = Do not forward to this port 1 = Forward to this port

TABLE 4-19: ACL ACTION RULE PARAMETERS FOR COUNT MODE (MD = 01 OR ENB = 00)

Parameter	Description
COUNT[10:0]	Count value
TU	Time unit for counter. 0 = Microseconds 1 = Milliseconds
CA	Counter Algorithm. 0 = An 11-bit counter will be loaded with the count value from the list and start counting down every unit time. An interrupt will be generated when the timer expires, i.e. the next qualified packet has not been received within the period specified by the value. 1 = The counter is incremented with every matched packet received. An interrupt is generated when the terminal count is reached. The count resets thereafter. Time units are not used in this mode.

Figure 4-7 shows basic organization of the ACL Table. The table has 16 entries, and each entry includes a matching field, action field and process field. Although these fields are stored together in one table, it is important to note that for a given table entry, the Matching, Action and Process fields generally do not form an associated group. The one exception is when the Matching Rule is in Count Mode (MD = 01 and ENB = 00). In that case, the Matching and Action fields are used in tandem.

FIGURE 4-7: ACL TABLE FORMAT



4.4.16.4 ACL Interrupts

The ACL filtering functions do not generate interrupts. Interrupts apply only for the Count Mode (MD = 01, ENB = 00). The Matching Rule can be configured either to timeout if the interval between packets of a specific type (MAC address and EtherType), or when a set number of these packets are received. There is a separate interrupt for each port. Port specific interrupt status and masks are located in the [Port Interrupt Status Register](#) and [Port Interrupt Mask Register](#). The top level interrupt registers for each port are in the [Global Port Interrupt Status Register](#) and [Global Port Interrupt Mask Register](#).

KSZ9897S

4.4.16.5 ACL Registers

Table 4-20 provides a list of ACL related registers.

TABLE 4-20: ACL REGISTERS

Registers	Description
Port Interrupt Status Register, Port Interrupt Mask Register	ACL interrupt
Port ACL Access 0 Register through Port ACL Access F Register, Port ACL Byte Enable MSB Register, Port ACL Byte Enable LSB Register, Port ACL Access Control 0 Register	ACL Table access
Port Priority Control Register	Priority classification
Port Authentication Control Register	ACL enable

4.5 NAND Tree Support

The KSZ9897S provides parametric NAND tree support for fault detection between chip I/Os and board. The NAND tree is a chain of nested NAND gates in which each KSZ9897S digital I/O (NAND tree input) pin is an input to one NAND gate along the chain. At the end of the chain, the **INTRP_N** pin provides the output for the last NAND gate.

The NAND tree test process includes:

- Enabling NAND tree mode
- Pulling all NAND tree input pins high
- Driving low each NAND tree input pin sequentially per the NAND tree pin order, starting with the first row of Table 4-21.
- Checking the NAND tree output to ensure there is a toggle high-to-low or low-to-high for each NAND tree input driven low.

TABLE 4-21: NAND TREE TEST PIN ORDER

NAND Tree Sequence	Pin Number	Pin Name	NAND Tree Description
1	85	LED4_0	Input
2	86	LED4_1	Input
3	88	LED3_0	Input
4	89	LED3_1	Input
5	90	NC	Input
6	91	LED2_0	Input
7	92	LED2_1	Input
8	93	PME_N	Input
9	95	CLKO_25_125	Input
10	97	SDO	Input
11	98	SDI/SDA/MDIO	Input
12	100	SCS_N	Input
13	101	SCL/MDC	Input
14	102	LED5_0	Input
15	103	LED5_1	Input
16	105	LED1_0	Input
17	106	LED1_1	Input
18	94	INTRP_N	Output

The following procedure can be used to check for faults on the KSZ9897S digital I/O pin connections to the board:

1. Enable NAND tree mode via the **LED2_1**, **LED2_0**, and **LED4_0** configuration strap pins option.
2. Use board logic to drive all KSZ9897S NAND tree input pins high and verify that the **INTRP_N** pin output is high.
3. Use board logic to drive each NAND tree input pin, per the NAND Tree pin order, as follows:
 - a) Toggle the first pin in the NAND tree sequence (**LED4_0**) from high to low, and verify the **INTRP_N** pin switches from high to low to indicate that the first pin is connected properly.
 - b) Leave the first pin (**LED4_0**) low.
 - c) Toggle the second pin in the NAND tree sequence (**LED4_1**) from high to low, and verify the **INTRP_N** pin switches from low to high to indicate that the second pin is connected properly.
 - d) Leave the first pin (**LED4_0**) and the second pin (**LED4_1**) low.
 - e) Toggle the third pin in the NAND tree sequence (**LED3_0**) from high to low, and verify the **INTRP_N** pin switches from high to low to indicate that the third pin is connected properly.
 - f) Continue with this sequence until all KSZ9897S NAND tree input pins have been toggled.

Each KSZ9897S NAND tree input pin must cause the **INTRP_N** output pin to toggle high-to-low or low-to-high to indicate a good connection. If the **INTRP_N** pin fails to toggle when the KSZ9897S input pin toggles from high to low, the input pin has a fault.

4.6 Clocking

4.6.1 PRIMARY CLOCK

The device requires a 25MHz reference clock input at the **XI** pin. This clock is internally multiplied up and used to clock all of the internal logic and switching functions. It is also normally used as to clock the PHY transmit paths. This clock may be supplied by connecting a crystal between the **XI** and **XO** pins (and appropriate load capacitors to ground). Alternatively, an external CMOS clock signal may drive **XI**, while **XO** is left unconnected. The **XI/XO** block is powered from **AVDDH**.

4.6.2 PORT 6 RGMII/MII/RMII CLOCKS

The MII interface is clocked asymmetrically, with the PHY device driving both the **RX_CLK6** receive clock and the **TX_CLK6** transmit clock to the MAC device. The MII port may be configured at reset by a strapping option to take the role of either the PHY or the MAC. **RX_CLK6** and **TX_CLK6** are therefore either both inputs or both outputs, depending on the MII mode.

The RMII interface uses a single 50MHz clock. This REFCLK may be sourced either from the KSZ9897S or from the connected device. A strapping option is used to select the mode. "Normal Mode" is the mode where the other device supplies the clock, and the clock is an input to the **REFCLKI6** pin of the device. "Clock Mode" is the mode where the KSZ9897S generates the 50MHz clock on the **REFCLKO6** pin.

The RGMII interface employs source synchronous clocking, so it is symmetrical and does not require a mode selection. An output clock is generated on the **RX_CLK6** pin, while an input clock is received on the **TX_CLK6** pin. The clock speed scales with the interface data rate - either 10, 100 or 1000 Mbps. A strapping option is used to select between the 100 and 1000 Mbps speeds. If the 10 Mbps rate is required, then a register setting is used to set that speed.

The Port 6 MAC interface is powered from **VDDIO**.

Note: Refer to Section 3.2.1, "Configuration Straps," on page 16 for additional information on using configuration straps.

KSZ9897S

4.6.3 PORT 7 SGMII CLOCK

The SGMII interface consists of two differential serial data signals: one transmit pair and one receive pair. No clock is transmitted or received. Each receiver must perform clock and data recovery from the received data signal. The internal SGMII transmit clock is derived from the 25MHz reference clock at **XI**.

Note: Refer to [Section 3.2.1, "Configuration Straps," on page 16](#) for additional information on using configuration straps.

4.6.4 SERIAL MANAGEMENT INTERFACE CLOCK

Whether configured to be SPI, I²C or MIIM, the KSZ9897S is always a slave and receives the clock as an input. The serial management interface is powered from **VDDIO**.

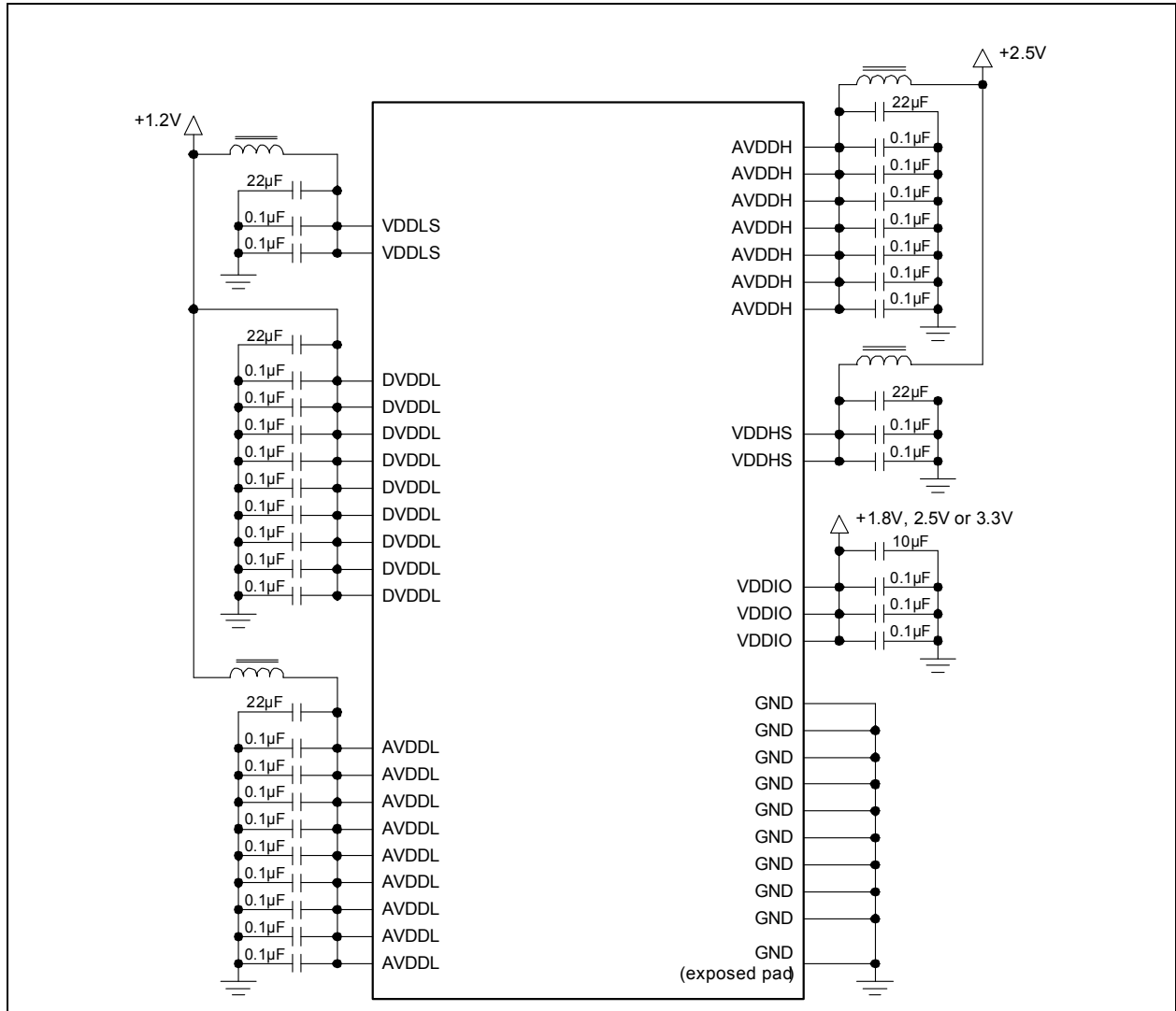
4.6.5 CLKO_25_125

An output clock, derived from the local 25MHz reference at **XI**, is provided on the **CLKO_25_125** pin. The output frequency choices are 25MHz (default) and 125MHz. If not needed, this output clock can also be disabled. **CLKO_25_125** is controlled via the [Output Clock Control Register](#), and is powered from **VDDIO**.

4.7 Power

The KSZ9897S requires two to three supply voltages. The device core operates from a 1.2V supply (**DVDDL** and **AVDDL**). The PHY transceivers and XI/XO crystal/clock interface operate from a 2.5V supply (**AVDDH**). The digital I/O's can be operated from 1.8V, 2.5V or 3.3V (**VDDIO**). The digital I/Os powered from **VDDIO** include RGMII, RMII, MII, SPI, I²C, MIIM, LED, **RESET_N**, **PME_N**, **INTRP_N** and **CLKO_25_125**. The SGMII interface requires 2.5V (**VDDHS**) and 1.2V (**VDDL**) supplies. An example power connection diagram can be seen in [Figure 4-8](#).

FIGURE 4-8: POWER CONNECTION DIAGRAM



KSZ9897S

4.8 Power Management

The device supports enhanced power management features in a low-power state with energy detection to ensure low-power dissipation during device idle periods. There are three operation modes under the power management function which are implemented globally (i.e., applying to all ports):

- Normal Operation Mode
- Energy Detect Mode
- Global Soft Power Down Mode

Table 4-22 summarizes all internal function blocks status under the three power-management operation modes.

TABLE 4-22: MDI/MDI-X PIN DEFINITIONS

Functional Blocks	Power Management Operation Modes		
	Normal Mode	Energy Detect Mode	Soft Power Down Mode
Internal PLL Clock	Enabled	Disabled	Disabled
TX/RX PHYs	Enabled	Energy Detect at RX	Disabled
MACs	Enabled	Disabled	Disabled
Host Interface	Enabled	Disabled	Disabled

There is one additional power saving mode that may be implemented on a per-port basis:

- Port-Based Power Down

The first three global power modes are mutually exclusive; only one mode may be selected at a time. Port-based power down may be enabled independent of the global power mode.

4.8.1 NORMAL OPERATION MODE

At power-up, the device enters into Normal operation mode. It is also selected via bits [4:3] = 00 in the [Power Down Control 0 Register](#). When the device is in normal operation mode, all PLL clocks are running, PHYs and MACs are on, and the CPU is ready to read or write the device registers through the serial interface (SPI, I²C or MIIM).

During normal operation mode, the host processor can change the power management mode bits in the [Power Down Control 0 Register](#) to transition to any of the other power management modes.

4.8.2 ENERGY-DETECT MODE

Energy-detect mode, also known as energy-detect power down (EDPD) mode, is enabled by setting bits [4:3] to 01 in the [Power Down Control 0 Register](#). Energy-detect mode provides a mechanism to save power when the device is not connected to an active link partner. Auto-negotiation must be enabled when in energy-detect mode.

Energy-detect mode consists of two states, normal-power state and low-power state. When the device is in this mode, it will monitor the cable energy. If there is no energy on the cable for a time longer than a pre-configured value, the device will go into the low-power state. While in low-power state, the device reduces power consumption by disabling all circuitry except the energy-detect circuitry of the receiver, which consumes minimal power. When the device is in the low-power state, it will transmit link pulses at long intervals, with a very low duty cycle. At the same time, it continuously monitors for energy on the cable. Once energy is detected from the cable and is present for a time longer than 100ns, the device will enter the normal-power state.

4.8.3 GLOBAL SOFT POWER-DOWN MODE

Soft power-down mode is used to power down the device when it is not in use after power-up. This mode disables all internal functions except for the serial (SPI or I²C) management interface.

When soft power-down mode is exited, all registers are reset to their default values, and all configuration strap pins are sampled to set the device settings.

4.8.4 PORT-BASED POWER DOWN

Unused ports may be powered down individually to save power.

4.8.5 WAKE ON LAN (WOL)

Wake on LAN allows a computer to be turned on or woken up by a network message. The message is usually sent by a program executed on another computer on the same local area network. Wake-up frame events are used to awaken the system whenever meaningful data is presented to the system over the network. Examples of meaningful data include the reception of a Magic Packet, a management request from a remote administrator, or simply network traffic directly targeted to the local system. The device can be programmed to notify the host of the Wake-Up frame detection with the assertion of the power management event signal (**PME_N**).

The device's MACs support the detection of the following Wake-Up events:

- Detection of energy signal over a pre-configured value
- Detection of a linkup in the network link state
- Receipt of a Magic Packet

There are also other types of Wake-Up events that are not listed here as manufacturers may choose to implement these in their own way.

4.8.5.1 Direction of Energy

The energy is detected from the cable and is continuously presented for a time longer than pre-configured value, especially when this energy change may impact the level at which the system should re-enter to the normal power state.

4.8.5.2 Direction of Link-up

Link status wake events are useful to indicate a linkup in the network's connectivity status.

4.8.5.3 Magic Packet™

The Magic Packet is a broadcast frame containing anywhere within its payload 6 bytes of all 1s (FF FF FF FF FF FF) followed by sixteen repetitions of the target computer's 48-bit DA MAC address. Since the magic packet is only scanned for the above string, and not actually parsed by a full protocol stack, it may be sent as any network- and transport-layer protocol.

Magic Packet technology is used to remotely wake up a sleeping or powered-off PC on a LAN. This is accomplished by sending a specific packet of information, called a Magic Packet frame, to a node on the network. When a PC capable of receiving the specific frame goes to sleep, it enables the Magic Packet RX mode in the LAN controller, and when the LAN controller receives a Magic Packet frame, it will alert the system to wake up. Once the device has been enabled for Magic Packet Detection, it scans all incoming frames addressed to the node for a specific data sequence, which indicates to the controller this is a Magic Packet frame.

A Magic Packet frame must also meet the basic requirements for the LAN technology chosen, such as Source Address (SA), Destination Address (DA), which may be the receiving station's IEEE MAC address, or a multicast or broadcast address and CRC. The specific sequence consists of 16 duplications of the MAC address of this node, with no breaks or interruptions. This sequence can be located anywhere within the packet, but must be preceded by a synchronization stream. The synchronization stream is defined as 6 bytes of 0xFF. The device will also accept a broadcast frame, as long as the 16 duplications of the IEEE address match the address of the machine to be awakened.

4.8.5.4 Interrupt Generation on Power Management Related Events

There are two ways an interrupt can be generated to the host whenever a power management related event takes place. The resulting interrupts are via the **PME_N** signal pin or via the **INTRP_N** signal pin.

4.9 Management Interface

The management interface may be used by an external host processor to read and write the device's registers. This interface has three available modes of operation: SPI, I²C or MIIM. The interface mode is selected at the deassertion of reset by a strapping option (refer to [Section 3.2.1, "Configuration Straps," on page 16](#) for additional information).

Of the three interface options, SPI provides the highest performance, while MIIM performance is the lowest. Most importantly, MIIM provides access to the PHY control and status registers, but not to any of the switch registers. The vast majority of applications therefore can use SPI or I²C, but not MIIM.

Register access is also available through the high-performance in-band management interface as described in [Section 4.10, "In-Band Management," on page 55](#).

KSZ9897S

4.9.1 SPI SLAVE BUS

The KSZ9897S supports a slave mode SPI interface that provides complete access to all device registers via an SPI master device. The SPI master device supplies the clock (SCL), select (SCS_N), and serial input data (SDI). Serial output data (SDO) is driven by the KSZ9897S.

SCL is expected to stay low when SPI operation is idle. SPI operations start with the falling edge of SCS_N and end with the rising edge of SCS_N. A single read or write access consists of a 27-bit command/address phase, then a 5-bit turn-around (TA) phase, then an 8-bit data phase. For burst read or write access, SCS_N is held low while SCL continues to toggle. For every 8 cycles of SCL, the device will increment the address counter, and the corresponding data byte will be transferred on SDI or SDO in succession.

All commands, addresses and data are transferred most significant bit first. Input data on SDI is latched on the rising edge of clock SCL. Output data on SDO is clocked on the falling edge of SCL.

As shown in Figure 4-23, there are two commands: register read and register write. Figure 4-9 and Figure 4-10 show the timing for these two operations.

TABLE 4-23: REGISTER ACCESS USING THE SPI INTERFACE

SPI Operation	Command/Address Phase (SDI pin)		TA bits (Note 4-8)	Data Phase (SDO or SDI pins)
	Command	Register Address		
Register Read	011	A23 A22 A21 A20 ... A7 A6 A5 A4 A3 A2 A1 A0	XXXXX	D7 D6 D5 D4 D3 D2 D1 D0
Register Write	010	A23 A22 A21 A20 ... A7 A6 A5 A4 A3 A2 A1 A0	XXXXX	D7 D6 D5 D4 D3 D2 D1 D0

Note 4-8 TA bits are turn-around bits. They are “don't care” bits.

Note: The actual device address space is 16 bits (A15 - A0), so the values of address bits A23 - A16 in the SPI command/address phase are “don't care”.

FIGURE 4-9: SPI REGISTER READ OPERATION

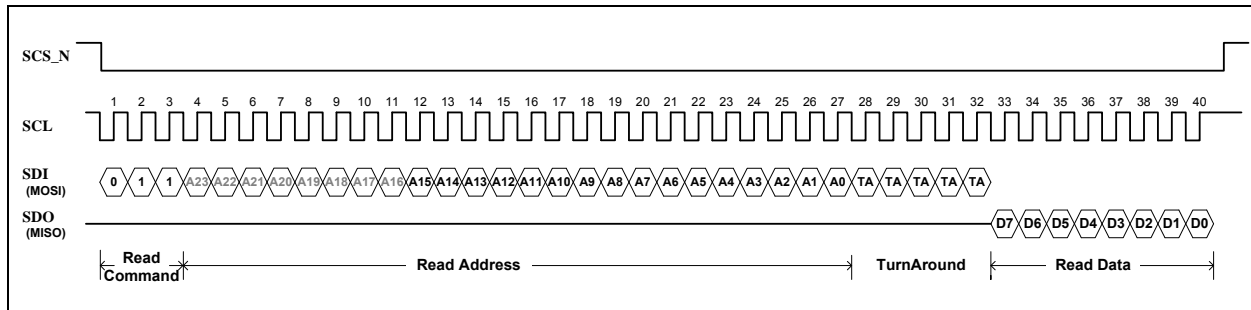
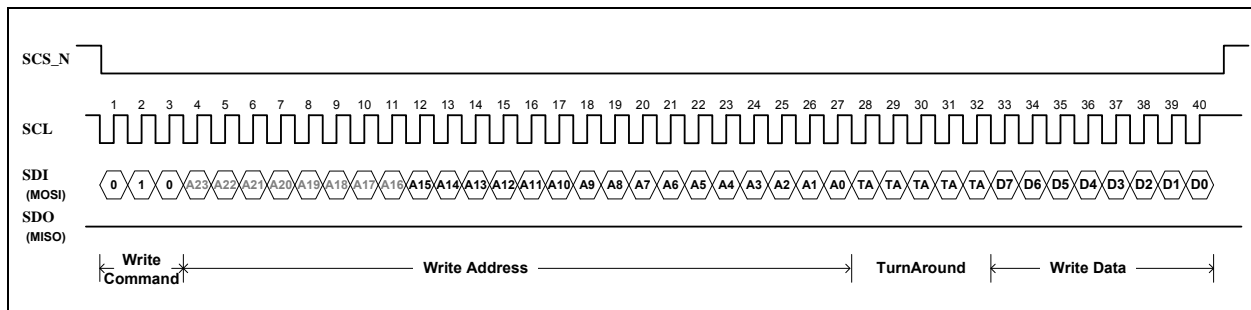


FIGURE 4-10: SPI REGISTER WRITE OPERATION



4.9.2 I²C BUS

The management interface may be configured to be an I²C slave. In this mode, an I²C master has complete programming access to the device's internal control and status registers, including all MIB counters, address lookup tables, VLAN table and ACL table.

The 7-bit device address is fixed as 1011_111. Because of the fixed address, only one KSZ9897S may be on the I²C bus at a time. The R/W control bit is then appended as the least significant bit to form these 8-bit address/control words:

1011_1110 <write>

1011_1111 <read>

The internal registers and tables of the device are accessed using 16-bit addressing and 8-bit data. The access formats are as follows:

FIGURE 4-11: SINGLE BYTE REGISTER WRITE

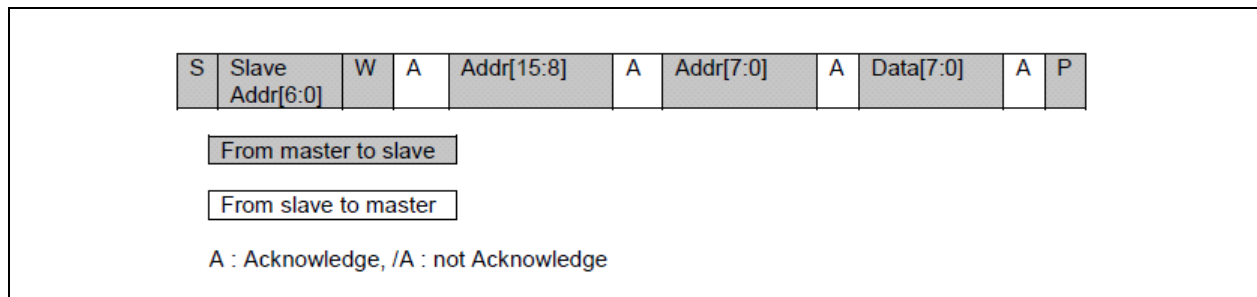


FIGURE 4-12: SINGLE BYTE REGISTER READ

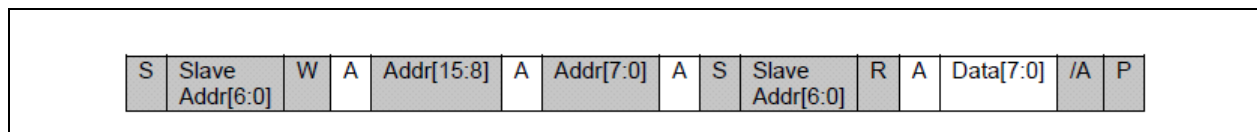


FIGURE 4-13: BURST REGISTER WRITE

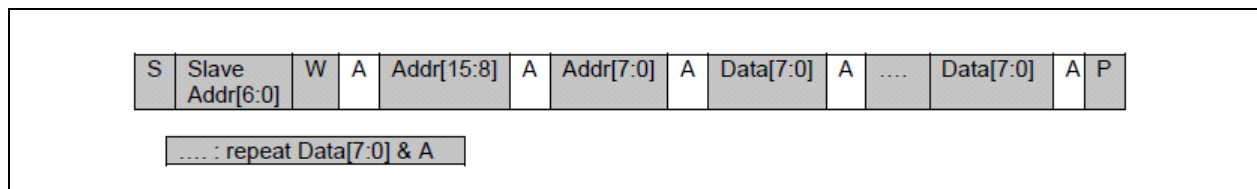
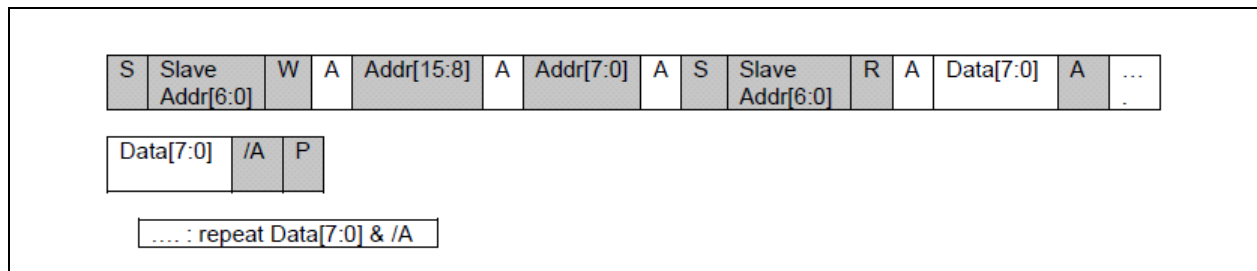


FIGURE 4-14: BURST REGISTER READ



4.9.3 MII MANAGEMENT (MIIM) INTERFACE

The device supports the IEEE 802.3 MII management interface, also known as the management data input/output (MDIO) interface. This interface allows upper-layer devices to monitor and control the states of the KSZ9897S PHY blocks, but it does not provide access to the switch registers. An external device with MDC/MDIO capability can read the PHY status or configure the PHY settings. Details on the MIIM interface can be found in Clauses 22 and 45 of the IEEE 802.3 Specification.

KSZ9897S

Use of MIIM conflicts with use of the [In-Band Management](#) interface. These interfaces cannot be used simultaneously.

The MIIM interface consists of the following:

- A physical connection that uses a data signal (**MDIO**) and a clock signal (**MDC**) for communication between an external controller and the KSZ9897S. Note that the **MDIO** signal is open-drain.
- A specific protocol that operates across the two signal physical connection that allows an external controller to communicate with the internal PHY devices.
- Access to a set of standard, vendor-specific and extended (MMD) 16-bit registers. These registers are also directly accessible via the SPI and I²C interface options.

The MIIM Interface can operate up to a maximum clock speed of 5MHz. Access is limited to only the registers in the PHY blocks of ports 1 through 5. [Table 4-24](#) summarizes the MII management interface frame format.

TABLE 4-24: MII MANAGEMENT INTERFACE FRAME FORMAT

Operation Mode	Preamble (32-bit)	Start of Frame (2-bit)	Operation Code (2-bit)	PHY Address (5-bit)	Register Address (5-bit)	Turn Around (2-bit)	Register Data (16-bit)	Idle
Read	All 1s	01	10	A[4:0]	Reg[4:0]	Z0	D[15:0]	Z
Write	All 1s	01	01	A[4:0]	Reg[4:0]	10	D[15:0]	Z

The MIIM PHY address to PHY port mapping is as follows:

- PHY Address 1h to PHY port 1
- PHY Address 2h to PHY port 2
- PHY Address 3h to PHY port 3
- PHY Address 4h to PHY port 4
- PHY Address 5h to PHY port 5

The MIIM register address space consists of two distinct areas.

- [Standard MIIM Registers \(Direct\)](#)
- [MDIO Manageable Device \(MMD\) Registers \(Indirect\)](#)

4.9.3.1 Standard MIIM Registers (Direct)

Standard registers provide direct read/write access to a 32-register address space, as defined in Clause 22 of the IEEE 802.3 Specification. Within this address space, the first 16 registers (Registers 0h to Fh) are defined according to the IEEE specification, while the remaining 16 registers (Registers 10h to 1Fh) are defined specific to the PHY vendor.

The KSZ9897S supports the standard registers listed in [Table 4-25](#) for each PHY port. Each 16-bit MIIM Standard Register Address maps to two corresponding 8-bit Port N Register Addresses. The register bit map and description are located at the 8-bit Port N Register Addresses.

TABLE 4-25: STANDARD MIIM REGISTERS

MIIM Standard Register Address (hex)	Port N Register Address (hex)	Description
IEEE-Defined Registers		
0h	0xN100 - 0xN101	PHY Basic Control Register
1h	0xN102 - 0xN103	PHY Basic Status Register
2h	0xN104 - 0xN105	PHY ID High Register
3h	0xN106 - 0xN107	PHY ID Low Register
4h	0xN108 - 0xN109	PHY Auto-Negotiation Advertisement Register
5h	0xN10A - 0xN10B	PHY Auto-Negotiation Link Partner Ability Register
6h	0xN10C - 0xN10D	PHY Auto-Negotiation Expansion Status Register
7h	0xN10E - 0xN10F	PHY Auto-Negotiation Next Page Register
8h	0xN110 - 0xN111	PHY Auto-Negotiation Link Partner Next Page Ability Register

TABLE 4-25: STANDARD MIIM REGISTERS (CONTINUED)

MIIM Standard Register Address (hex)	Port N Register Address (hex)	Description
9h	0xN112 - 0xN113	PHY 1000BASE-T Control Register
Ah	0xN114 - 0xN115	PHY 1000BASE-T Status Register
Bh-Ch	-	RESERVED
Dh	0xN11A - 0xN11B	PHY MMD Setup Register
Eh	0xN11C - 0xN11D	PHY MMD Data Register
Fh	0xN11E - 0xN11F	PHY Extended Status Register
Vendor-Specific Registers		
10h	-	RESERVED
11h	0xN122 - 0xN123	PHY Remote Loopback Register
12h	0xN124 - 0xN125	PHY LinkMD Register
13h	0xN126 - 0xN127	PHY Digital PMA/PCS Status Register
14h	-	RESERVED
15h	0xN12A - 0xN12B	Port RXER Count Register
16h-1Ah	-	RESERVED
1Bh	0xN136 - 0xN137	Port Interrupt Control / Status Register
1Ch	0xN138 - 0xN139	PHY Auto MDI / MDI-X Register
1Dh-1Eh	-	RESERVED
1Fh	0xN13E - 0xN13F	PHY Control Register

4.9.3.2 MDIO Manageable Device (MMD) Registers (Indirect)

The MIIM interface provides indirect access to a set of MMD registers as defined in [Section 5.4, "MDIO Manageable Device \(MMD\) Registers \(Indirect\)," on page 165](#).

4.10 In-Band Management

The in-band management access (IBA) is a feature that provides full register read and write access via any one of the seven data ports. Port 7 is the default IBA port. The in-band feature is enabled or disabled by a strapping option at power-up and reset. To use a different port instead of port 7 for IBA, the SPI or I²C interface or IBA must be used to write to a control register. IBA may not be used on more than one port at a time.

In-band management frames are processed differently from normal network frames. They are recognized as special frames, so address and VID lookup, VLAN tagging, source address filtering, un-tag discard, tagged frame drop, etc. are not applied to them. Received in-band management frames are never forwarded to the switch fabric or to any other port.

The [In-Band Management \(IBA\) Control Register](#) is used to enable and control the IBA feature and to specify one of the seven ports as the IBA port.

The IBA frame format is shown in [Figure 4-15](#). The layer 2 portion of the IBA frame contains normal destination address (DA) and source address (SA) fields. The DA of the frames are defined to be the switch MAC address (default 00-10-A1-FF-FF-FF), and the SA is the MAC address of the source device. The DA and SA will be swapped in the response frame. A special 4-byte IBA tag follows the SA. This is then followed by the 2-byte EtherType/Length field that serves to identify this as an IBA frame.

Only one IBA frame can be processed at a time. Any subsequent IBA frames received by the device will be dropped unless the most recent response frame has been fully transmitted.

There are six types of read/write commands: READ, WRITE, WAIT on 0, WAIT on 1, MODIFY to 0 and MODIFY to 1.

The burst commands offer fast and bundled data return, up to the capacity of the IBA frame buffer. There are two types of operations in burst command: READ burst and Write burst.

An external PHY (such as the Microchip KSZ9031RNX) may be connected to port 6, but in that case the signal connection will be RX-to-TX, and TX-to-RX.

The Port 6 MII/RMII/RGMII interface is powered by the VDDIO power supply.

4.11.1 MEDIA INDEPENDENT INTERFACE (MII) (PORT 6)

The media independent interface (MII) is specified in Clause 22 of the IEEE 802.3 standard. It provides a common interface between PHY layer and MAC layer devices. The data interface is 4-bits wide and runs at one quarter the network bit rate; either 2.5MHz in 10BASE-T_e or 25MHz in 100BASE-TX (not encoded). Additional signals on the transmit side indicate when data is valid or when an error occurs during transmission. Similarly, the receive side provides signals that convey when the data is valid and without physical layer errors. For half duplex operation, the COL signal indicates if a collision has occurred during transmission.

The MII interface operates in either PHY Mode or MAC Mode. Select PHY Mode when the port is connected to a processor or other device with a MAC function; select MAC Mode when connecting to an external PHY. Note that the direction of the TX_CLK6, RX_CLK6, COL6 and CRS6 signals is affected by the PHY mode or MAC mode setting, while other MII signals do not change direction.

MII mode is selected at reset by a configuration strap option on pins RxD6_3 and RxD6_2 for port 6. The Speed strapping option (on pin RxD6_0 for port 6) should be set for 100/10 Mbps Mode. PHY Mode or MAC Mode is selected by a configuration strap option on pin RxD6_1 (port 6). Refer to [Section 3.2.1, "Configuration Straps," on page 16](#) for additional information.

The interface contains two distinct groups of signals, one for transmission and the other for reception. [Table 4-26](#) and [Table 4-27](#) describe the signals used by the MII interface to connect to an external MAC or to an external PHY, respectively.

TABLE 4-26: MII (PHY MODE) CONNECTION TO EXTERNAL MAC

MII Interface Signals Description	KSZ9897S Signals in PHY Mode	External MAC Device Signals
Transmit Enable	TX_EN6 (input)	TX_EN (output)
Transit Error	TX_ER6 (input)	TX_ER (output)
Transmit Data Bits [3:0]	TXD6_[3:0] (input)	TXD[3:0] (output)
Transmit Clock	TX_CLK6 (output)	TX_CLK (input)
Collision Detection	COL6 (output)	COL (input)
Carrier Sense	CRS6 (output)	CRS (input)
Received Data Valid	RX_DV6 (output)	RX_DV (input)
Receive Error	RX_ER6 (output)	RX_ER (input)
Receive Data Bits [3:0]	RXD6_[3:0] (output)	RXD[3:0] (input)
Receive Clock	RX_CLK6 (output)	RX_CLK (input)

TABLE 4-27: MII (MAC MODE) CONNECTION TO EXTERNAL PHY

MII Interface Signals Description	KSZ9897S Signals in MAC Mode	External PHY Device Signals
Transmit Enable	RX_DV6 (output)	TX_EN (input)
Transit Error	RX_ER6 (output)	TX_ER (input)
Transmit Data Bits [3:0]	RXD6_[3:0] (output)	TXD[3:0] (input)
Transmit Clock	RX_CLK6 (input)	TX_CLK (output)
Collision Detection	COL6 (input)	COL (output)
Carrier Sense	CRS6 (input)	CRS (output)
Received Data Valid	TX_EN6 (input)	RX_DV (output)
Receive Error	TX_ER6 (input)	RX_ER (output)
Receive Data Bits [3:0]	TXD6_[3:0] (input)	RXD[3:0] (output)
Receive Clock	TX_CLK6 (input)	RX_CLK (output)

KSZ9897S

4.11.2 REDUCED MEDIA INDEPENDENT INTERFACE (RMII) (PORT 6)

The reduced media independent interface (RMII) specifies a low pin count interface, which is based on MII, that provides communication with a MAC attached to the port. As with MII, RMII provides a common interface between physical layer and MAC layer devices, or between two MAC layer devices, and has the following key characteristics:

- Supports network data rates of either 10Mbps or 100Mbps.
- Uses a single 50MHz clock reference (provided internally or externally) for both transmit and receive data.
- Uses independent 2-bit wide transmit and receive data paths.
- Contains two distinct groups of signals: one for transmission and the other for reception.

The user selects one of the two RMII clocking modes by setting the appropriate strapping option.

While in RMII Normal Mode, the port will require an external 50MHz signal to be input to **TX_CLK6/REFCLKI6** from an external source. This mode is selected by strapping the **RXD6_1** pin high during reset.

While in RMII Clock Mode, the port will output a 50MHz clock on **RX_CLK6/REFCLKO6**, which is derived from the 25MHz crystal or oscillator attached to the **XI** clock input. The **TX_CLK6/REFCLKI6** input is unused in this mode. This mode is selected by strapping the **RXD6_1** pin low during reset.

Refer to [Section 3.2.1, "Configuration Straps," on page 16](#) for additional configuration strap information.

[Table 4-28](#) describes the signals used by the RMII interface. Refer to the RMII specification for full details on the signal descriptions.

TABLE 4-28: RMII SIGNAL DESCRIPTIONS

RMII Signal Name (per spec)	RMII Signal (per KSZ9897S)	Pin Direction (with Respect to PHY, KSZ9897S)	Pin Direction (with Respect to MAC)	RMII Signal Description
REF_CLK	REFCLKI6	Input	Input or Output	Synchronous 50MHz reference clock, when port is in RMII Normal Mode
n/a	REFCLKO6	Output	Input	Synchronous 50MHz reference clock, when port is in RMII Clock Mode
TX_EN	TX_EN6	Input	Output	Transmit Enable
TXD[1:0]	TXD6_[1:0]	Input	Output	Transmit Data Bit [1:0]
CRS_DV	RX_DV6	Output	Input	Carrier Sense / Receive Data Valid
RX_ER	RX_ER6	Output	Input or not required	Receive Error
RXD[1:0]	RXD6_[1:0]	Output	Input	Receive Data Bit [1:0]

A device port in RMII mode may connect to either an external MAC device (such as a host processor) or to an external PHY; but unlike MII, RMII does not provide separate PHY and MAC modes of operation. However, it is necessary to connect the pins properly.

TABLE 4-29: RMII CONNECTION TO EXTERNAL MAC

RMII Interface Signals Description	KSZ9897S Signals	External MAC Device Signals
Transmit Enable	TX_EN6 (input)	TX_EN (output)
Transmit Data Bits [1:0]	TXD6_[1:0] (input)	TXD[1:0] (output)
Reference Clock	REFCLKI6 (input) or REFCLKO6 (output)	REF_CLK (input or output)
Carrier Sense Data Valid	RX_DV6 (output)	CRS_DV (input)
Receive Error	RX_ER6 (output)	RX_ER (input)
Receive Data Bits [1:0]	RXD6_[1:0] (output)	RXD[1:0] (input)

TABLE 4-30: RMII CONNECTION TO EXTERNAL PHY

RMII Interface Signals Description	KSZ9897S Signals	External PHY Device Signals
Transmit Enable	RX_DV6 (output)	TX_EN (input)
Transmit Data Bits [1:0]	RXD6_[1:0] (output)	TXD[1:0] (input)
Reference Clock	REFCLKI6 (input) or REFCLKO6 (output)	REF_CLK (input or output)
Carrier Sense Data Valid	TX_EN6 (input)	CRS_DV (output)
Receive Error	No connection	RX_ER (output)
Receive Data Bits [1:0]	TXD6_[1:0] (input)	RXD[1:0] (output)

4.11.3 REDUCED GIGABIT MEDIA INDEPENDENT INTERFACE (RGMII) (PORT 6)

RGMII provides a common interface between RGMII PHYs and MACs, and has the following key characteristics:

- Pin count is reduced from 24 pins for GMII to 12 pins for RGMII.
- All speeds (10Mbps, 100Mbps and 1000Mbps) are supported at both half- and full-duplex.
- Data transmission and reception are independent and belong to separate signal groups.
- Transmit data and receive data are each four bits wide - a nibble.

In RGMII operation, the RGMII pins function as follows:

- The MAC sources the transmit reference clock, **TX_CLK6**, at 125MHz for 1000Mbps, 25MHz for 100Mbps, and 2.5MHz for 10Mbps.
- The PHY recovers and sources the receive reference clock, **RX_CLK6**, at 125MHz for 1000Mbps, 25MHz for 100Mbps, and 2.5MHz for 10Mbps.
- For 1000BASE-T, the transmit data, **TXD6_[3:0]**, is presented on both edges of **TX_CLK6**, and the received data, **RXD6_[3:0]**, is clocked out on both edges of the recovered 125MHz clock, **RX_CLK6**.
- For 10BASE-T/100BASE-TX, the MAC holds **TX_CTL6** low until both the PHY and MAC operate at the same speed. During the speed transition, the receive clock is stretched on either a positive or negative pulse to ensure that no clock glitch is presented to the MAC.
- **TX_ER6** and **RX_ER6** are combined with **TX_EN6** and **RX_DV6**, respectively, to form **TX_CTL6** and **RX_CTL6**. These two RGMII control signals are valid at the falling clock edge.

After power-up or reset, the device is configured to RGMII mode if the appropriate configuration strap pins are set to one of the RGMII mode capability options. Refer to [Section 3.2.1, "Configuration Straps," on page 16](#) for available options. Note that there is no mechanism for the RGMII interface to adapt its speed automatically to the speed of the connected RGMII device. A configuration strap option sets the speed of the RGMII interface at power-up to either 1000Mbps or 100Mbps. A control register can override the configuration strap option and set the RGMII speed to either 1000, 100 or 10Mbps. If a PHY is connected to the RGMII port, it should be ensured that the PHY link speed is fixed in order to avoid a mismatch to the RGMII speed.

The device provides the option to add a minimum of 1.5ns internal delay to either **TX_CLK6** or **RX_CLK6**, via the RGMII Internal Delay control bits in the [XMII Port Control 1 Register](#). This can reduce or eliminate the need to add trace delay to the clock signals on the printed circuit board. **RGMII_ID_ig** enables delay on **TX_CLK6**, and the default is off. **RGMII_ID_eg** enables delay on **RX_CLK6**, and the default is on. Users should also be aware of any internal clock delay that may be added by the connected RGMII device.

KSZ9897S

TABLE 4-31: RGMII SIGNAL DESCRIPTIONS

RGMII Signal Name (per spec)	RGMII Signal (per KSZ9897S)	Pin Direction (with respect to PHY, KSZ9897S)	Pin Direction (with respect to MAC)	RGMII Signal Description
TXC	TX_CLK6	Input	Output	Transmit Reference Clock (125MHz for 1000Mbps, 25MHz for 100Mbps, 2.5MHz for 10Mbps)
TX_CTL	TX_CTL6	Input	Output	Transmit Control
TXD[3:0]	TXD6_[3:0]	Input	Output	Transmit Data [3:0]
RXC	RX_CLK6	Output	Input	Receive Reference Clock (125MHz for 1000Mbps, 25MHz for 100Mbps, 2.5MHz for 10Mbps)
RX_CTL	RX_CTL6	Output	Input	Receive Control
RXD[3:0]	RXD6_[3:0]	Output	Input	Receive Data [3:0]

4.11.4 SERIAL GIGABIT MEDIA INDEPENDENT INTERFACE (SGMII) (PORT 7)

The port 7 MAC has a Serial Gigabit Media Independent Interface (SGMII) for interfacing to an external 10/100/1000 BASE-T PHY that supports the SGMII MAC/PHY interface, or to another device with an SGMII interface. The interface has one receive differential pair and one transmit differential pair for sending and receiving data and control at a serial bit rate of 1.25 Gbaud. The SGMII block recovers the clock from the incoming data. Therefore, a separate input SGMII clock is not needed. Likewise, no output SGMII is provided, with the expectation that the connected device will also recover the clock from the receive data.

SGMII uses auto-negotiation to establish the MAC - PHY connection. The PHY side device is sometimes referred to as the master, and the MAC side device is referred to as the slave. The PHY side device relays the following information about the 10/100/1000 BASE-T link to the MAC side device:

- Speed
- Duplex
- Link up/down status

The SGMII interface defaults to MAC side mode, with auto-negotiation enabled. The mode can be changed to PHY side for connection to a MAC side device. There is also the option to disable auto-negotiation. If auto-negotiation is disabled, it must also be disabled in both devices. Do not confuse "auto-negotiation" across the SGMII interface with auto-negotiation performed between the PHY and its far-end link partner. When the SGMII speed and duplex can be fixed, as when connected to another switch or a processor, auto-negotiation is optional.

10/100/1000 BASE-T PHYs with SGMII interfaces may be discrete devices or may be housed in SFP modules. Note, however, that not all SFP modules are SGMII. Specifically, SFP fiber optic modules such as 1000BASE-SX and 1000BASE-LX are not SGMII devices even though their electrical interface is compatible.

AC coupling should be used on the SGMII differential pairs. AC coupling capacitors are included in SFP modules.

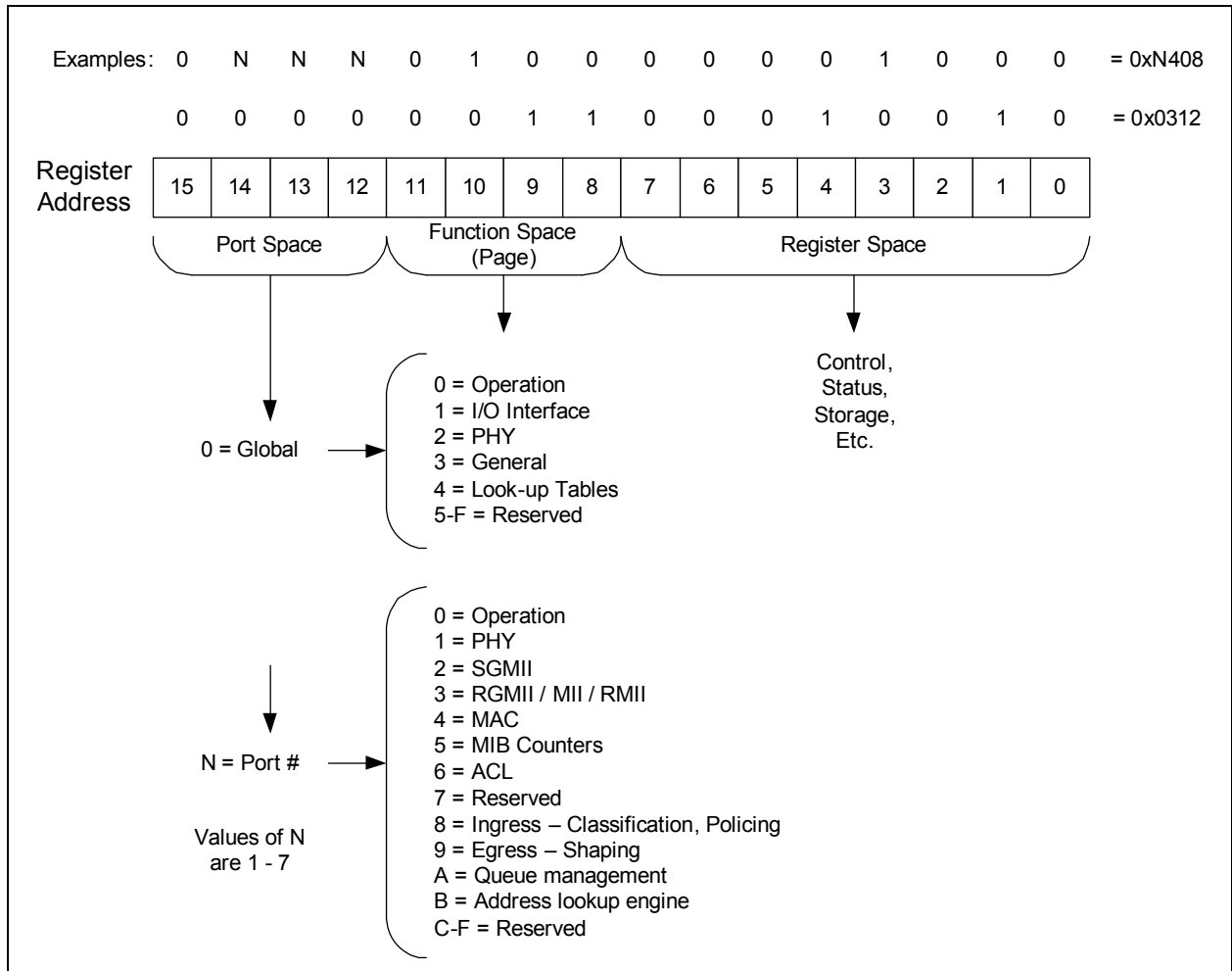
SGMII registers are accessed indirectly via the [Port SGMII Address Register](#) and [Port SGMII Data Register](#). Additional information on SGMII registers is provided in [Section 5.5, "SGMII Registers \(Indirect\)," on page 167](#).

5.0 DEVICE REGISTERS

The KSZ9897S has a rich set of registers for device management. The registers are accessed by the SPI or I²C interfaces, or by in-band management. Alternatively, the MIIM interface can be used to access the PHY registers only. The MIIM interface cannot access the switch registers.

A 16-bit address is used to access the device registers. This address is split into three hierarchical spaces, as shown in Figure 5-1. These three spaces are used to designate the port/channel (4-bits), function (page) of the port (4-bits), and register of function (8-bits). The individual ports are numbered 1 through 7. In the port space, a value of 0 is used for global registers. Address bit 15 is always 0.

FIGURE 5-1: REGISTER ADDRESS MAPPING

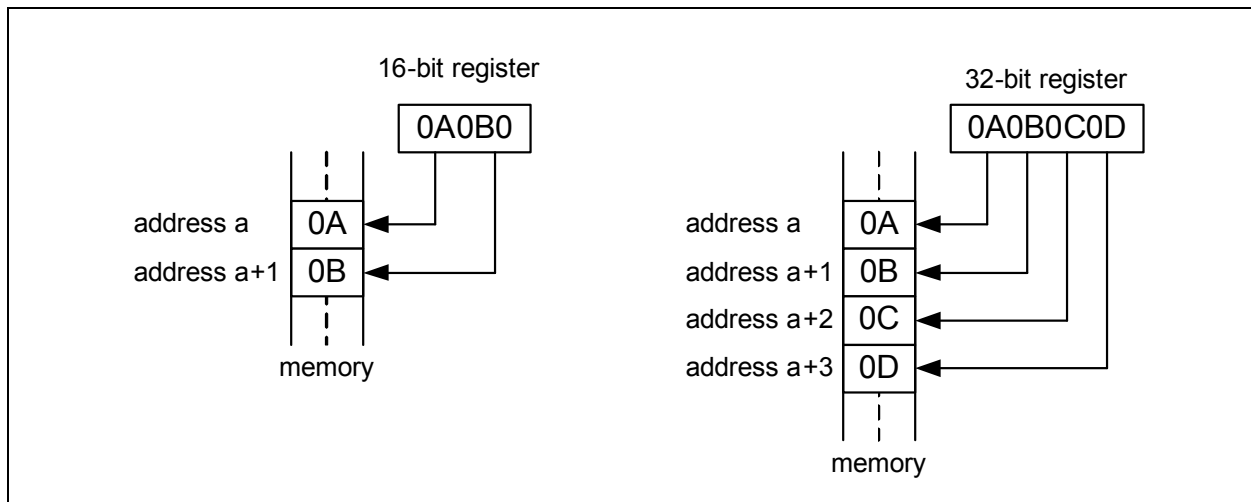


KSZ9897S

Register addressing is by bytes, and the management interface (SPI, I²C or in-band) transfers data by bytes. Where registers are shown as 16-bits or 32-bits, this is for descriptive purposes only. Data can always be written and read as individual bytes and in any order.

For multi-byte registers, the data is addressed in a big-endian format, with the most significant byte at the lowest address, and the least significant byte at the highest address, as shown in [Figure 5-2](#).

FIGURE 5-2: BYTE ORDERING



The global and port register address maps are detailed in [Table 5-1](#) and [Table 5-2](#), respectively. [Table 1-3, "Register Nomenclature," on page 7](#) provides a list of register bit type notations.

The remainder of this chapter is organized as follows:

- [Global Registers](#)
- [Port Registers](#)
- [Tables and MIB Counters \(Access\)](#)
- [MDIO Manageable Device \(MMD\) Registers \(Indirect\)](#)
- [SGMII Registers \(Indirect\)](#)

TABLE 5-1: GLOBAL REGISTER ADDRESS MAP

Address	Functional Group
0x0000 - 0x00FF	Global Operation Control Registers (0x0000 - 0x00FF)
0x0100 - 0x01FF	Global I/O Control Registers (0x0100 - 0x01FF)
0x0200 - 0x02FF	Global PHY Control and Status Registers (0x0200 - 0x02FF)
0x0300 - 0x03FF	Global Switch Control Registers (0x0300 - 0x03FF)
0x0400 - 0x04FF	Global Switch Look Up Engine (LUE) Control Registers (0x0400 - 0x04FF)
0x0500 - 0x0FFF	RESERVED

TABLE 5-2: PORT N (1-7) REGISTER ADDRESS MAP

Address	Functional Group
0xN000 - 0xN0FF	Port N: Port Operation Control Registers (0xN000 - 0xN0FF)
0xN100 - 0xN1FF	Port N: Port Ethernet PHY Registers (0xN100 - 0xN1FF)
0xN200 - 0xN2FF	Port N: Port SGMII Control Registers (0xN200 - 0xN2FF)
0xN300 - 0xN3FF	Port N: Port RGMII/MII/RMII Control Registers (0xN300 - 0xN3FF)
0xN400 - 0xN4FF	Port N: Port Switch MAC Control Registers (0xN400 - 0xN4FF)
0xN500 - 0xN5FF	Port N: Port Switch MIB Counters Registers (0xN500 - 0xN5FF)
0xN600 - 0xN6FF	Port N: Port Switch ACL Control Registers (0xN600 - 0xN6FF)
0xN700 - 0xN7FF	RESERVED
0xN800 - 0xN8FF	Port N: Port Switch Ingress Control Registers (0xN800 - 0xN8FF)
0xN900 - 0xN9FF	Port N: Port Switch Egress Control Registers (0xN900 - 0xN9FF)
0xNA00 - 0xNAFF	Port N: Port Switch Queue Management Control Registers (0xNA00 - 0xNAFF)
0xNB00 - 0xNBFF	Port N: Port Switch Address Lookup Control Registers (0xNB00 - 0xNBFF)
0xNC00 - 0xNFFF	RESERVED

Note: RESERVED address space must not be written under any circumstances. Failure to heed this warning may result in untoward operation and unexpected results. If it is necessary to write to registers which contain both writable and reserved bits in the same register, the user should first read back the reserved bits (RO or R/W), “OR” the desired settable bits with the value read, and then write back the “ORed” value to the register.

KSZ9897S

5.1 Global Registers

This section details the device's global registers. For an overview of the device's entire register map, refer to [Section 5.0, "Device Registers"](#). For details on the device's port registers, refer to [Section 5.2, "Port Registers"](#).

5.1.1 GLOBAL OPERATION CONTROL REGISTERS (0x0000 - 0x00FF)

5.1.1.1 Global Chip ID 0 Register

Address: 0x0000 Size: 8 bits

Bits	Description	Type	Default
7:0	Fixed Value	RO	0x00

5.1.1.2 Global Chip ID 1 Register

Address: 0x0001 Size: 8 bits

Bits	Description	Type	Default
7:0	Chip ID (MSB)	RO	0x98

5.1.1.3 Global Chip ID 2 Register

Address: 0x0002 Size: 8 bits

Bits	Description	Type	Default
7:0	Chip ID (LSB)	RO	0x97

5.1.1.4 Global Chip ID 3 Register

Address: 0x0003 Size: 8 bits

Bits	Description	Type	Default
7:4	Revision ID	RO	-
3:1	RESERVED	RO	-
0	Global Software Reset Refer to the Switch Operation Register for another reset control bit. 0 = Normal operation 1 = Resets the data path and state machines, but not register values.	R/W SC	0b

5.1.1.5 PME Pin Control Register

Address: 0x0006 Size: 8 bits

Bits	Description	Type	Default
7:2	RESERVED	RO	-
1	PME Pin Output Enable 0 = Disabled 1 = Enabled	R/W	0b
0	PME Pin Output Polarity 0 = PME is active low 1 = PME is active high	R/W	0b

5.1.1.6 Global Interrupt Status Register

Address: 0x0010 - 0x0013 Size: 32 bits

This register provides the top level interrupt status for the LUE. These interrupts are enabled in the [Global Interrupt Mask Register](#). For port specific interrupts, refer to the [Port Interrupt Status Register](#).

Bits	Description	Type	Default
31	Lookup Engine (LUE) Interrupt Status Refer to the Address Lookup Table Interrupt Register for detailed LUE interrupt status bits. 0 = No interrupt 1 = Interrupt request	RO	0b
30:0	RESERVED	RO	-

5.1.1.7 Global Interrupt Mask Register

Address: 0x0014 - 0x0017 Size: 32 bits

This register enables the interrupts in the [Global Interrupt Status Register](#).

Bits	Description	Type	Default
31	Lookup Engine (LUE) Interrupt Mask 0 = Interrupt enabled 1 = Interrupt disabled	R/W	0b
30:0	RESERVED	RO	-

KSZ9897S

5.1.1.8 Global Port Interrupt Status Register

Address: 0x0018 - 0x001B Size: 32 bits

This register provides the top level interrupt status for the individual ports. These interrupts are enabled in the [Global Port Interrupt Mask Register](#). Refer to the [Port Interrupt Status Register](#) for detailed port interrupt status.

Bits	Description	Type	Default
31:7	RESERVED	RO	-
6	Port 7 Interrupt Status 0 = No interrupt 1 = Interrupt request	RO	0b
5	Port 6 Interrupt Status 0 = No interrupt 1 = Interrupt request	RO	0b
4	Port 5 Interrupt Status 0 = No interrupt 1 = Interrupt request	RO	0b
3	Port 4 Interrupt Status 0 = No interrupt 1 = Interrupt request	RO	0b
2	Port 3 Interrupt Status 0 = No interrupt 1 = Interrupt request	RO	0b
1	Port 2 Interrupt Status 0 = No interrupt 1 = Interrupt request	RO	0b
0	Port 1 Interrupt Status 0 = No interrupt 1 = Interrupt request	RO	0b

5.1.1.9 Global Port Interrupt Mask Register

Address: 0x001C - 0x001F Size: 32 bits

This register enables the interrupts in the [Global Port Interrupt Status Register](#).

Bits	Description	Type	Default
31:7	RESERVED	RO	-
6	Port 7 Interrupt Mask 0 = Interrupt enabled 1 = Interrupt disabled	R/W	0b
5	Port 6 Interrupt Mask 0 = Interrupt enabled 1 = Interrupt disabled	R/W	0b
4	Port 5 Interrupt Mask 0 = Interrupt enabled 1 = Interrupt disabled	R/W	0b
3	Port 4 Interrupt Mask 0 = Interrupt enabled 1 = Interrupt disabled	R/W	0b
2	Port 3 Interrupt Mask 0 = Interrupt enabled 1 = Interrupt disabled	R/W	0b
1	Port 2 Interrupt Mask 0 = Interrupt enabled 1 = Interrupt disabled	R/W	0b
0	Port 1 Interrupt Mask 0 = Interrupt enabled 1 = Interrupt disabled	R/W	0b

KSZ9897S

5.1.2 GLOBAL I/O CONTROL REGISTERS (0x0100 - 0x01FF)

5.1.2.1 Serial I/O Control Register

Address: 0x0100 Size: 8 bits

Bits	Description	Type	Default
7:3	RESERVED	R/W	0100_0b
2	MIIM Preamble Suppression This feature affects only the MIIM (MDIO / MDC) interface. When using SPI or I ² C, this bit has no effect. 0 = Normal operation. The switch always expects the MIIM preamble. 1 = The switch will respond to MIIM commands even in the absence of a preamble.	R/W	0b
1	Automatic SPI Data Out Edge Select When enabled, this feature automatically determines the edge of SCL that is used to clock out the SPI data on SDO. If SCL ≥ ~25MHz, SDO data is clocked by the rising edge of SCL. If SCL < ~25 MHz, SDO data is clocked by the falling edge of SCL. 0 = The automatic feature is disabled, and bit 0 determines the SCL clock edge used for SDO. 1 = The automatic feature is enabled, and bit 0 is ignored.	R/W	1b
0	SPI Data Out Edge Select When bit 1 is zero, then this bit determines the clock edge used for SPI data out. When bit 1 is set to 1, this bit is ignored. 0 = SDO data is clocked by the falling edge of SCL 1 = SDO data is clocked by the rising edge of SCL	R/W	0b

5.1.2.2 Output Clock Control Register

Address: 0x0103 Size: 8 bits

Bits	Description	Type	Default
7:5	RESERVED	RO	000b
4:2	RESERVED	R/W	000b
1	CLKO_25_125 Output Pin Enable 0 = Disabled 1 = Enabled	R/W	1b
0	CLKO_25_125 Frequency 0 = 25 MHz 1 = 125 MHz	R/W	0b

5.1.2.3 In-Band Management (IBA) Control Register

Address: 0x0104 - 0x0107 Size: 32 bits

This register controls the In-Band Access (IBA) feature.

Bits	Description	Type	Default
31	IBA Enable The initial value is strapped in from the IBA pin. 0 = Disabled 1 = Enabled	R/W	Note 5-1
30	IBA Destination MAC Address Match Enable Set this bit to enable checking of the destination MAC address in received IBA frames against the switch MAC address in the Switch MAC Address 0 Register through Switch MAC Address 5 Register . Non-matching frames are discarded. When not enabled, the MAC address is not checked.	R/W	0b
29	IBA Reset Set this bit to initialize the IBA state machine. This bit is self-clearing.	R/W SC	0b
28:24	RESERVED	RO	0x00
23:22	Priority Queue for IBA response Specifies the transmit priority queue for the IBA response frame. Typically this value is not changed.	R/W	01b
21:19	RESERVED	RO	00_0b
18:16	Port used for IBA communication 000 = Port 1 001 = Port 2 010 = Port 3 011 = Port 4 100 = Port 5 101 = Port 6 110 = Port 7 111 = Reserved	R/W	110b
15:0	TPID (EtherType) value for IBA frame header	R/W	0x40FE

Note 5-1 The default value of this field is determined by the associated configuration strap value. Refer to [Section 3.2.1, "Configuration Straps,"](#) on page 16 for additional information.

KSZ9897S

5.1.2.4 I/O Drive Strength Register

Address: 0x010D Size: 8 bits

Bits	Description	Type	Default
7	RESERVED	R/W	0b
6:4	High Speed Drive Strength (24mA) Controls drive strength of RGMII / MII / RMII (except TX_CLK / REFCLKI, COL and CRS) and CLKO_25_125.	R/W	110b
3	RESERVED	R/W	0b
2:0	Low Speed Drive Strength (8mA) Controls drive strength of TX_CLK / REFCLKI, COL, CRS, LEDs, PME_N, INTRP_N, SDO and SDI/SDA/MDIO.	R/W	10b

5.1.2.5 In-Band Management (IBA) Operation Status 1 Register

Address: 0x0110 - 0x0113 Size: 32 bits

Bits	Description	Type	Default
31	Good IBA Packet Detect 1 = A good IBA packet is received.	RO	0b
30	IBA Response Packet Transmit Done 1 = An IBA response packet is sent out. This bit is cleared when a packet with a matching IBA tag field is received.	RO	0b
29	IBA Execution Done 1 = All the commands in one IBA packet are completely executed. This bit is cleared when a packet with a matching IBA tag field is received.	RO	0b
28:15	RESERVED	RO	0x0000
14	IBA MAC Address Mismatch Error This bit is active only when IBA_ENABLE (In-Band Management (IBA) Control Register , bit 30) is set. 1 = An IBA packet is received with an unmatched MAC address, unequal to the switch's MAC address. This bit is cleared when a packet with a matching IBA tag field is received.	RO	0b
13	IBA Access Format Error 1 = An IBA packet with a wrong access format (not equal to 0x9800) is received. This bit is cleared when a packet with a matching IBA tag field is received.	RO	0b
12	IBA Access Code Error 1 = An IBA packet with an unrecognized access code is received. (Valid access codes are 0x0001 and 0x0002.) This bit is cleared when a packet with a matching IBA tag field is received.	RO	0b

Bits	Description	Type	Default
11	IBA Access Command Error 1 = An IBA packet with an unrecognized command code is received. This bit is cleared when a packet with a matching IBA tag field is received.	RO	0b
10	IBA Oversize Packet Error 1 = An oversized IBA packet is received. The maximum IBA packet size is 320 bytes, including 8-byte zeros before FCS and the 4-byte FCS. No response packet is sent. This bit is cleared when a packet with a matching IBA tag field is received.	RO	0b
9:7	RESERVED	RO	000b
6:0	IBA Access Code Error Location When IBA Access Command Error (bit 11) is set, these bits indicate the address location of the wrong command code within the IBA packet.	RO	0x000

5.1.2.6 LED Override Register

Address: 0x0120 - 0x0123 Size: 32 bits

Bits	Description	Type	Default
31:10	RESERVED	RO	0x00000
9:0	Override LED These bits select whether each LED_{x_0} and LED_{x_1} pin will function as an LED or General Purpose Output (GPO). The LSB bit of this field represents LED1_0 , followed by LED1_1 , LED2_0 , etc. When configured as a GPO, the GPO output is controlled via the LED Output Register . 0 = LED_{x_y} pin functions as an LED 1 = LED_{x_y} pin functions as a GPO		000000000b

5.1.2.7 LED Output Register

Address: 0x0124 - 0x0127 Size: 32 bits

Bits	Description	Type	Default
31:10	RESERVED	RO	0x00000
9:0	GPO Output Control When configured as a GPO via the LED Override Register , the GPO output is controlled via this field. The LSB bit of this field represents LED1_0 , followed by LED1_1 , LED2_0 , etc. 0 = LED_{x_y} pin outputs low 1 = LED_{x_y} pin outputs high	R/W	000000000b

KSZ9897S

5.1.3 GLOBAL PHY CONTROL AND STATUS REGISTERS (0x0200 - 0x02FF)

5.1.3.1 Power Down Control 0 Register

Address: 0x0201 Size: 8 bits

Bits	Description	Type	Default
7:6	RESERVED	RO	00b
5	PLL Power Down 0 = Normal operation. 1 = Disable PLL. This may be used in combination with EDPD mode – see below.	R/W	0b
4:3	Power Management Mode 00 = Normal operation 01 = Energy Detect Power Down (EDPD) Mode 10 = Soft Power Down Mode 11 = invalid	R/W	00b
2:0	RESERVED	RO	000b

5.1.3.2 LED Configuration Strap Register

Address: 0x0210 - 0x0213 Size: 32 bits

Bits	Description	Type	Default
31:10	RESERVED	RO	0x000000
9:0	Configuration strap values of LED pins [LED5_1, LED5_0, LED4_1, LED4_0, LED3_1, LED3_0, LED2_1, LED2_0, LED1_1, LED1_0]	RO	Note 5-2

Note 5-2 The default value of this field is determined by the associated configuration strap values. Refer to [Section 3.2.1, "Configuration Straps," on page 16](#) for additional information.

5.1.4 GLOBAL SWITCH CONTROL REGISTERS (0x0300 - 0x03FF)

5.1.4.1 Switch Operation Register

Address: 0x0300 Size: 8 bits

Bits	Description	Type	Default
7	Double Tag Enable 1 = Double tagging is enabled 0 = Double tagging is disabled	R/W	0b
6:2	RESERVED	RO	0x00
1	Soft Hardware Reset When set to 1, all register settings, except configuration strap options, are reset to default values.	R/W SC	0b
0	Start Switch 1 = Switch function is enabled 0 = Switch function is disabled; no traffic will be passed until this bit is set	R/W	Note 5-3

Note 5-3 The default value of this field is determined by the **LED5_1** configuration strap value. Refer to [Section 3.2.1, "Configuration Straps,"](#) on page 16 for additional information.

5.1.4.2 Switch MAC Address 0 Register

Address: 0x0302 Size: 8 bits

Bits	Description	Type	Default
7:0	MAC Address [47:40] This register, along with the Switch MAC Address 1-5 Registers, define the switch's MAC address to be used as the source address in MAC pause control frames, and for self-address filtering.	R/W	0x00

5.1.4.3 Switch MAC Address 1 Register

Address: 0x0303 Size: 8 bits

Bits	Description	Type	Default
7:0	MAC Address [39:32]	R/W	0x10

KSZ9897S

5.1.4.4 Switch MAC Address 2 Register

Address: 0x0304 Size: 8 bits

Bits	Description	Type	Default
7:0	MAC Address [31:24]	R/W	0xA1

5.1.4.5 Switch MAC Address 3 Register

Address: 0x0305 Size: 8 bits

Bits	Description	Type	Default
7:0	MAC Address [23:16]	R/W	0xFF

5.1.4.6 Switch MAC Address 4 Register

Address: 0x0306 Size: 8 bits

Bits	Description	Type	Default
7:0	MAC Address [15:8]	R/W	0xFF

5.1.4.7 Switch MAC Address 5 Register

Address: 0x0307 Size: 8 bits

Bits	Description	Type	Default
7:0	MAC Address [7:0]	R/W	0xFF

5.1.4.8 Switch Maximum Transmit Unit Register

Address: 0x0308 - 0x0309 Size: 16 bits

Bits	Description	Type	Default
15:14	RESERVED	R/W	00b
13:0	Maximum Frame Length (MTU) Specifies the maximum transmission unit (MTU), which is the maximum frame payload size. Frames which exceed this maximum are truncated. This value can be set as high as 9000 (= 0x2328) if jumbo frame support is required. Also refer to the Switch MAC Control 1 Register and Port MAC Control 0 Register .	R/W	0x07D0

5.1.4.9 Switch ISP TPID Register

Address: 0x030A - 0x030B Size: 16 bits

Bits	Description	Type	Default
15:0	ISP Tag TPID Default tag TPID (EtherType) for untagged incoming frames or the ISP frame tag TPID for the double tagging function.	R/W	0x9100

5.1.4.10 Switch Lookup Engine Control 0 Register

Address: 0x0310 Size: 8 bits

Bits	Description	Type	Default
7	802.1Q VLAN Enable This is the master enable for VLAN forwarding and filtering. Note that the VLAN Table must be set up before VLAN mode is enabled. 1 = VLAN mode enabled 0 = VLAN mode disabled	R/W	0b
6	Drop Invalid VID 1 = All received packets with invalid VLAN ID are dropped. 0 = Received packets with invalid VLAN ID are forwarded to the host port. Note that the Unknown VID Forwarding feature (Unknown VLAN ID Control Register), if enabled, takes precedence over this bit.	R/W	1b
5:3	Age Count This bit, in combination with the Age Period value (Switch Lookup Engine Control 3 Register), determines the aging time of dynamic entries in the address lookup table. This value is used for the Age Count field whenever a dynamic table entry is updated.	R/W	10_0b

KSZ9897S

Bits	Description	Type	Default
2	Reserved Multicast Lookup Enable 1 = Enable Reserved Multicast Table 0 = Disable Reserved Multicast Table	R/W	0b
1:0	HASH_OPTION Defines the hashing option for mapping entries to the dynamic lookup table. 00, 11 = Entry is mapped directly using the 10 least significant bits of the destination address. 01 = The CRC hashing function is used. 10 = The XOR hashing function is used. Refer to Section 4.4.2.1, "Address Lookup (ALU) Table," on page 27 for additional information.	R/W	01b

5.1.4.11 Switch Lookup Engine Control 1 Register

Address: 0x0311 Size: 8 bits

Bits	Description	Type	Default
7	Unicast Learning Disable 1 = Unicast address learning is disabled 0 = Unicast address learning is enabled	R/W	0b
6	Self-Address Filtering – Global Enable The source address of received packets is compared to the MAC address in registers Switch MAC Address 0 Register through Switch MAC Address 5 Register , and the packet is dropped if there is a match. Self-address filtering can be enabled on a port-by-port basis by setting the port enable bit in the Port Control 2 Register in addition to setting this bit. 1 = Enable self-address filtering globally for those ports whose port enable bit (Port Control 2 Register) is set. 0 = Do not filter self-addressed packets on any port.	R/W	0b
5	Flush Address Lookup Table The Flush Option bit in the Switch Lookup Engine Control 2 Register determines whether flushing is performed on dynamic entries, static entries, or both. 1 = Trigger a flush of the entire address lookup table. The static address table is not flushed. 0 = Normal operation	R/W SC	0b
4	Flush MSTP Address Entries (Address Lookup Table) The Flush Option bit in the Switch Lookup Engine Control 2 Register determines whether flushing is performed on dynamic entries, static entries, or both. 1 = Trigger a flush of the matched MSTP entries 0 = Normal operation	R/W SC	0b
3	Multicast Source Address Filtering 1 = Forward packets with a multicast source address 0 = Drop packets with a multicast source address	R/W	1b

Bits	Description	Type	Default
2	Aging Enable 1 = Enable address table aging 0 = Disable address table aging	R/W	1b
1	Fast Aging 1 = Enable fast aging 0 = Disable fast aging	R/W	0b
0	Link Down Flush 1 = Link down will cause the entries of any link down port to be flushed 0 = Link down flush is disabled	R/W	0b

5.1.4.12 Switch Lookup Engine Control 2 Register

Address: 0x0312 Size: 8 bits

Bits	Description	Type	Default
7	RESERVED	R/W	0b
6	Double Tag Multicast Trap 1 = When double tagging mode is enabled, forward all reserved multicast packets to the host port only. 0 = Normal forwarding	R/W	0b
5	Dynamic Entry Egress VLAN Filtering Egress VLAN filtering uses the forwarding port map from the VLAN table to restrict the forwarding ports determined from the address lookup. This is the recommended mode of operation when VLAN is enabled. The default value is 0 only for backwards compatibility with previous switches. 1 = Enable. For successful lookup of a dynamic entry in the address table, the forwarding ports are determined from the AND function of the address table port map and the VLAN table port map. 0 = Disable. For successful lookup of a dynamic entry in the address table, the forwarding ports are determined from the address table only.	R/W	0b
4	Static Entry Egress VLAN Filtering Egress VLAN filtering uses the forwarding port map from the VLAN table to restrict the forwarding ports determined from the address lookup. This is the recommended mode of operation when VLAN is enabled. The default value is 0 only for backwards compatibility with previous switches. 1 = Enable. For successful lookup of a static entry in the address table, the forwarding ports are determined from the AND function of the address table port map and the VLAN table port map. 0 = Disable. For successful lookup of a static entry in the address table, the forwarding ports are determined from the address table only.	R/W	0b

KSZ9897S

Bits	Description	Type	Default
3:2	Flush Option Determines which address lookup table entries may be flushed by either of the flush operations in the Switch Lookup Engine Control 1 Register . 00 = No flush or flush is done 01 = Flush only dynamic table entries 10 = Flush only static table entries 11 = Flush both static and dynamic table entries	R/W	00b
1:0	MAC Address Priority 00 = MAC Address (MACA) priority for a packet is determined from the destination address (DA) lookup 01 = MACA priority for a packet is determined from the source address (SA) lookup 10 = MACA priority for a packet is determined from the higher of the DA and SA lookups 11 = MACA priority for a packet is determined from the lower of the DA and SA lookups	R/W	00b

5.1.4.13 Switch Lookup Engine Control 3 Register

Address: 0x0313 Size: 8 bits

Bits	Description	Type	Default
7:0	Age Period This value, multiplied by the Age Count value in the entries of the Address Lookup Table, determines the aging time of dynamic entries in that table. The unit is seconds.	R/W	0x4B

5.1.4.14 Address Lookup Table Interrupt Register

Address: 0x0314 Size: 8 bits

This register provides the detailed interrupt status for the Address Lookup Table. These interrupts are enabled in the [Address Lookup Table Mask Register](#). The LUE interrupt status bit in the [Global Interrupt Status Register](#) is the OR of the status bits in this register.

Bits	Description	Type	Default
7:3	RESERVED	RO	0x00
2	Learn Fail Interrupt Status An Address Lookup Table entry was not learned because all entries in the bucket are static	R/WC	0b
1	Almost Full Interrupt Status Interrupt indicates that the Address Lookup Table bucket was almost full (2 or 3 valid entries) when a new static entry was written.	R/WC	0b
0	Write Fail Interrupt Status Interrupt indicates that the Address Lookup Table bucket is full and a write failed	R/WC	0b

5.1.4.15 Address Lookup Table Mask Register

Address: 0x0315 Size: 8 bits

This register masks the Address Lookup Table interrupts in the [Address Lookup Table Interrupt Register](#).

Bits	Description	Type	Default
7:3	RESERVED	RO	0x00
2	Learn Fail Interrupt Mask 1 = Interrupt is disabled 0 = Interrupt is enabled	R/W	1b
1	Almost Full Interrupt Mask 1 = Interrupt is disabled 0 = Interrupt is enabled	R/W	1b
0	Write Fail Interrupt Mask 1 = Interrupt is disabled 0 = Interrupt is enabled	R/W	1b

KSZ9897S

5.1.4.16 Address Lookup Table Entry Index 0 Register

Address: 0x0316 - 0x0317 Size: 16 bits

Bits	Description	Type	Default
15:12	RESERVED	RO	0x0
11:0 / 9:0	Almost Full Entry Index [11:0] When a static entry is successfully written into the Address Lookup Table, but the table bucket is almost full (contains 2 or 3 static entries prior to the write), the entry address is reported here. Fail Write Index [9:0] When a static entry write failure occurs in the Address Lookup Table, the bucket address is reported here.	RO	0x000

5.1.4.17 Address Lookup Table Entry Index 1 Register

Address: 0x0318 - 0x0319 Size: 16 bits

Bits	Description	Type	Default
15:10	RESERVED	RO	0000_00
9:0	Fail Learn Index When a destination address fails to be learned in the Address Lookup Table because the bucket contains 4 static entries, the bucket address is reported here.	RO	0x000

5.1.4.18 Address Lookup Table Entry Index 2 Register

Address: 0x031A - 0x031B Size: 16 bits

Bits	Description	Type	Default
15:10	RESERVED	RO	0000_00
9:0	CPU Access Index Whenever there is an external read or write to the Address Lookup Table, the bucket address of the access is reported here.	RO	0x000

5.1.4.19 Unknown Unicast Control Register

Address: 0x0320 - 0x0323 Size: 32 bits

The following three registers control forwarding of packets with 1) unknown unicast destination address, 2) unknown multicast destination address, and 3) unknown VLAN ID.

If a received packet falls into more than one of these categories, the precedence is:

1. Unknown VID
2. Unknown Unicast
3. Unknown Multicast

Bits	Description	Type	Default
31	Unknown Unicast Packet Forward 1 = Enable forwarding of unknown unicast packets to the ports specified below 0 = Disable unknown unicast packet forwarding	R/W	0b
30:7	RESERVED	RO	0x000000
6:0	Unknown Unicast Forwarding Ports Bit 0 is for port 1 Bit 1 is for port 2, etc. 1 = Forward unknown unicast packets to that port 0 = Do not forward to that port All ones = Forwarded to all ports All zeros = Forwarded to no ports	R/W	000_0000b

5.1.4.20 Unknown Multicast Control Register

Address: 0x0324 - 0x0327 Size: 32 bits

Bits	Description	Type	Default
31	Unknown Multicast Packet Forward 1 = Enable forwarding of unknown multicast packets to the ports specified below 0 = Disable unknown multicast packet forwarding	R/W	0b
30:7	RESERVED	RO	0x000000
6:0	Unknown Multicast Forwarding Ports Bit 0 is for port 1 Bit 1 is for port 2, etc. 1 = Forward unknown multicast packets to that port 0 = Do not forward to that port All ones = Forwarded to all ports All zeros = Forwarded to no ports	R/W	000_0000b

KSZ9897S

5.1.4.21 Unknown VLAN ID Control Register

Address: 0x0328 - 0x032B Size: 32 bits

Bits	Description	Type	Default
31	Unknown VID Packet Forward 1 = Enable forwarding of unknown VLAN ID (VID) packets to the ports specified below 0 = Disable unknown VID packet forwarding	R/W	0b
30:7	RESERVED	RO	0x000000
6:0	Unknown VID Forwarding Ports Bit 0 is for port 1 Bit 1 is for port 2, etc. 1 = Forward unknown VID packets to that port 0 = Do not forward to that port All ones = Forwarded to all ports All zeros = Forwarded to no ports	R/W	000_0000b

5.1.4.22 Switch MAC Control 0 Register

Address: 0x0330 Size: 8 bits

Bits	Description	Type	Default
7	Alternate Back-off Mode The back-off mode applies to half-duplex only. This bit should be set if the No Excessive Collision Drop bit in the Switch MAC Control 1 Register is enabled. 1 = Enable alternate back-off mode 0 = Disable	R/W	0b
6:4	RESERVED	R/W	000b
3	Frame Length Field Check This applies only when the EtherType/Length field is <1500. 1 = Discard any packet if the actual packet length does not match the frame length field. 0 = Do not check the packet length.	R/W	0b
2	RESERVED	R/W	1b

Bits	Description	Type	Default
1	<p>Flow Control Packet Drop Mode</p> <p>This bit controls which flow control packets may be forwarded or dropped. To enable forwarding of all flow control packets, refer to bit 0 of the Switch MAC Control 4 Register. Enabling of flow control is managed in the PHY Auto-Negotiation Advertisement Register (for PHY ports) and the XMII Port Control 0 Register (for MAC ports).</p> <p>1 = The switch will drop received packets with either EtherType = 0x8808 or destination address (DA) = 01-80-C2-00-00-01.</p> <p>0 = The switch will drop received packets with both EtherType = 0x8808 and DA = 01-80-C2-00-00-01.</p>	R/W	0b
0	<p>Aggressive Back-off Enable</p> <p>For use with half-duplex back pressure. This is not an IEEE standard.</p> <p>1 = Enable aggressive back-off algorithm in half-duplex mode to enhance performance.</p> <p>0 = Disable</p>	R/W	0b

5.1.4.23 Switch MAC Control 1 Register

Address: 0x0331 Size: 8 bits

Bits	Description	Type	Default
7	RESERVED	R/W	1b
6	<p>Multicast Storm Protection Disable</p> <p>1 = Multicast packets are not included in Broadcast Storm Protection</p> <p>0 = Multicast packets are included in Broadcast Storm Protection</p>	R/W	1b
5	<p>Back Pressure Mode</p> <p>1 = Use carrier sense based back pressure mode</p> <p>0 = Use collision based back pressure mode. (This is the recommended mode.)</p>	R/W	1b
4	<p>Flow Control and Back Pressure Fair Mode</p> <p>1 = Enable fair mode. If a flow controlled ingress port and a non-flow controlled ingress port forward traffic to the same egress port, packets from the non-flow controlled port may be dropped.</p> <p>0 = Disable fair mode. In this scenario the flow controlled port will be flow controlled, and the non-flow controlled port will be neither flow controlled nor packets dropped.</p>	R/W	1b
3	<p>No Excessive Collision Drop</p> <p>If this bit is set, Alternate Back-odd Mode (bit 7 in the Switch MAC Control 0 Register) should also be set.</p> <p>1 = The switch will not drop packets when 16 or more collisions occur.</p> <p>0 = The switch will drop packets when 16 or more collisions occur</p>	R/W	0b

KSZ9897S

Bits	Description	Type	Default
2	Jumbo Packet Support The programmable packet payload size limit is specified in register 0x0308 – 0x0309, up to a maximum of 9000 bytes. This bit overrides bit 1 of this register. 1 = Enable support for jumbo packets 0 = Disable	R/W	0b
1	Legal Maximum Packet Size Check Disable 1 = Accept packets up to 2000 bytes in size. 0 = Accept only standard size packets, up to 1522 bytes for tagged packets, or 1518 bytes for untagged packets. Larger packets will be dropped.	R/W	0b
0	Pass Short Packet 1 = Accept packets between 32 and 64 bytes in size. 0 = Accept only standard size packets, at least 64 bytes. Smaller packets are dropped.	R/W	0b

5.1.4.24 Switch MAC Control 2 Register

Address: 0x0332 Size: 8 bits

Bits	Description	Type	Default
7:4	RESERVED	R/W	0x0
3	Null VID Replacement Describes the behavior when a packet is received with a null (zero) VID. 1 = Replace a null VID with the Port Default VID as defined in the Port Default Tag 0 Register and Port Default Tag 1 Register 0 = No replacement of null VID	R/W	0b
2:0	Broadcast Storm Protection Rate bits [10:8] The remainder of this fields bits are in the Switch MAC Control 3 Register . Multiply this value by 64 to determine how many bytes of packet data are allowed on an input port in a preset period. The period is 5ms for a 1000Mbps port, 50ms for a 100Mbps port, or 500ms for a 10Mbps. The default is 1%.	R/W	000b

5.1.4.25 Switch MAC Control 3 Register

Address: 0x0333 Size: 8 bits

Bits	Description	Type	Default
7:0	Broadcast Storm Protection Rate bits [7:0] The remainder of this fields bits are in the Switch MAC Control 2 Register . Multiply this value by 64 to determine how many bytes of packet data are allowed on an input port in a preset period. The period is 5ms for a 1000Mbps port, 50ms for a 100Mbps port, or 500ms for a 10Mbps. The default is 1%.	R/W	0x4A

5.1.4.26 Switch MAC Control 4 Register

Address: 0x0334 Size: 8 bits

Bits	Description	Type	Default
7:1	RESERVED	RO	0000_000b
0	Pass Flow Control Packets 1 = Switch will forward 802.3x PAUSE flow control frames. 0 = Switch will filter PAUSE frames.	R/W	0b

5.1.4.27 Switch MAC Control 5 Register

Address: 0x0335 Size: 8 bits

Bits	Description	Type	Default
7	RESERVED	RO	0b
6	RESERVED	R/W	0b
5:4	Ingress Rate Limit Period 00 = 16ms 01 = 64ms 1x = 256ms	R/W	01b
3	Queue Based Egress Rate Limit Enable 1 = Queue-based egress rate limiting 0 = Port-based egress rate limiting	R/W	0b
2:0	RESERVED	RO	000b

KSZ9897S

5.1.4.28 Switch MIB Control Register

Address: 0x0336 Size: 8 bits

MIB counters are provided on a per-port basis. They are read and controlled via the [Port N: Port Switch MIB Counters Registers \(0xN500 - 0xN5FF\)](#).

Bits	Description	Type	Default
7	Flush MIB Counters 1 = Flush all MIB counters of enabled ports. Refer to the Port MIB Control and Status Register . 0 = Normal counter operation	R/W SC	0b
6	Freeze MIB Counters 1 = Freeze MIB counters of enabled ports. Refer to the Port MIB Control and Status Register . 0 = Normal counter operation	R/W	0b
5:0	RESERVED	RO	00_0000b

5.1.4.29 802.1p Priority Mapping 0 Register

Address: 0x0338 Size: 8 bits

Bits	Description	Type	Default
7	RESERVED	RO	0b
6:4	When the tag PCP field is 0x1, use this value for priority	R/W	001b
3	RESERVED	RO	0b
2:0	When the tag PCP field is 0x0, use this value for priority	R/W	000b

5.1.4.30 802.1p Priority Mapping 1 Register

Address: 0x0339 Size: 8 bits

Bits	Description	Type	Default
7	RESERVED	RO	0b
6:4	When the tag PCP field is 0x3, use this value for priority	R/W	011b
3	RESERVED	RO	0b
2:0	When the tag PCP field is 0x2, use this value for priority	R/W	010b

5.1.4.31 802.1p Priority Mapping 2 Register

Address: 0x033A Size: 8 bits

Bits	Description	Type	Default
7	RESERVED	RO	0b
6:4	When the tag PCP field is 0x5, use this value for priority	R/W	101b
3	RESERVED	RO	0b
2:0	When the tag PCP field is 0x4, use this value for priority	R/W	100b

5.1.4.32 802.1p Priority Mapping 3 Register

Address: 0x033B Size: 8 bits

Bits	Description	Type	Default
7	RESERVED	RO	0b
6:4	When the tag PCP field is 0x7, use this value for priority	R/W	111b
3	RESERVED	RO	0b
2:0	When the tag PCP field is 0x6, use this value for priority	R/W	110b

5.1.4.33 IP DiffServ Priority Enable Register

Address: 0x033E Size: 8 bits

Bits	Description	Type	Default
7:2	RESERVED	RO	0000_00b
1	RESERVED	R/W	0b
0	DiffServ Priority Remap Enable 1 = Use the following registers to remap the DSCP (DiffServ) priority to a 3-bit priority value 0 = Use DSCP bits [5:3] for priority	R/W	0b

KSZ9897S

5.1.4.34 IP DiffServ Priority Mapping 0 Register

Address: 0x0340 Size: 8 bits

Bits	Description	Type	Default
7	RESERVED	RO	0b
6:4	When IPv4 / IPv6 DSCP field is 0x01, use this value for priority	R/W	000b
3	RESERVED	RO	0b
2:0	When IPv4 / IPv6 DSCP field is 0x00, use this value for priority	R/W	000b

5.1.4.35 IP DiffServ Priority Mapping 1 Register

Address: 0x0341 Size: 8 bits

Bits	Description	Type	Default
7	RESERVED	RO	0b
6:4	When IPv4 / IPv6 DSCP field is 0x03, use this value for priority	R/W	000b
3	RESERVED	RO	0b
2:0	When IPv4 / IPv6 DSCP field is 0x02, use this value for priority	R/W	000b

5.1.4.36 IP DiffServ Priority Mapping 2 Register

Address: 0x0342 Size: 8 bits

Bits	Description	Type	Default
7	RESERVED	RO	0b
6:4	When IPv4 / IPv6 DSCP field is 0x05, use this value for priority	R/W	000b
3	RESERVED	RO	0b
2:0	When IPv4 / IPv6 DSCP field is 0x04, use this value for priority	R/W	000b

5.1.4.37 IP DiffServ Priority Mapping 3 Register

Address: 0x0343 Size: 8 bits

Bits	Description	Type	Default
7	RESERVED	RO	0b
6:4	When IPv4 / IPv6 DSCP field is 0x07, use this value for priority	R/W	000b
3	RESERVED	RO	0b
2:0	When IPv4 / IPv6 DSCP field is 0x06, use this value for priority	R/W	000b

5.1.4.38 IP DiffServ Priority Mapping 4 Register

Address: 0x0344 Size: 8 bits

Bits	Description	Type	Default
7	RESERVED	RO	0b
6:4	When IPv4 / IPv6 DSCP field is 0x09, use this value for priority	R/W	000b
3	RESERVED	RO	0b
2:0	When IPv4 / IPv6 DSCP field is 0x08, use this value for priority	R/W	000b

5.1.4.39 IP DiffServ Priority Mapping 5 Register

Address: 0x0345 Size: 8 bits

Bits	Description	Type	Default
7	RESERVED	RO	0b
6:4	When IPv4 / IPv6 DSCP field is 0x0B, use this value for priority	R/W	000b
3	RESERVED	RO	0b
2:0	When IPv4 / IPv6 DSCP field is 0x0A, use this value for priority	R/W	000b

5.1.4.40 IP DiffServ Priority Mapping 6 Register

Address: 0x0346 Size: 8 bits

Bits	Description	Type	Default
7	RESERVED	RO	0b
6:4	When IPv4 / IPv6 DSCP field is 0x0D, use this value for priority	R/W	000b
3	RESERVED	RO	0b
2:0	When IPv4 / IPv6 DSCP field is 0x0C, use this value for priority	R/W	000b

5.1.4.41 IP DiffServ Priority Mapping 7 Register

Address: 0x0347 Size: 8 bits

Bits	Description	Type	Default
7	RESERVED	RO	0b
6:4	When IPv4 / IPv6 DSCP field is 0x0F, use this value for priority	R/W	000b
3	RESERVED	RO	0b
2:0	When IPv4 / IPv6 DSCP field is 0x0E, use this value for priority	R/W	000b

KSZ9897S

5.1.4.42 IP DiffServ Priority Mapping 8 Register

Address: 0x0348 Size: 8 bits

Bits	Description	Type	Default
7	RESERVED	RO	0b
6:4	When IPv4 / IPv6 DSCP field is 0x11, use this value for priority	R/W	000b
3	RESERVED	RO	0b
2:0	When IPv4 / IPv6 DSCP field is 0x10, use this value for priority	R/W	000b

5.1.4.43 IP DiffServ Priority Mapping 9 Register

Address: 0x0349 Size: 8 bits

Bits	Description	Type	Default
7	RESERVED	RO	0b
6:4	When IPv4 / IPv6 DSCP field is 0x13, use this value for priority	R/W	000b
3	RESERVED	RO	0b
2:0	When IPv4 / IPv6 DSCP field is 0x12, use this value for priority	R/W	000b

5.1.4.44 IP DiffServ Priority Mapping 10 Register

Address: 0x034A Size: 8 bits

Bits	Description	Type	Default
7	RESERVED	RO	0b
6:4	When IPv4 / IPv6 DSCP field is 0x15, use this value for priority	R/W	000b
3	RESERVED	RO	0b
2:0	When IPv4 / IPv6 DSCP field is 0x14, use this value for priority	R/W	000b

5.1.4.45 IP DiffServ Priority Mapping 11 Register

Address: 0x034B Size: 8 bits

Bits	Description	Type	Default
7	RESERVED	RO	0b
6:4	When IPv4 / IPv6 DSCP field is 0x17, use this value for priority	R/W	000b
3	RESERVED	RO	0b
2:0	When IPv4 / IPv6 DSCP field is 0x16, use this value for priority	R/W	000b

5.1.4.46 IP DiffServ Priority Mapping 12 Register

Address: 0x034C Size: 8 bits

Bits	Description	Type	Default
7	RESERVED	RO	0b
6:4	When IPv4 / IPv6 DSCP field is 0x19, use this value for priority	R/W	000b
3	RESERVED	RO	0b
2:0	When IPv4 / IPv6 DSCP field is 0x18, use this value for priority	R/W	000b

5.1.4.47 IP DiffServ Priority Mapping 13 Register

Address: 0x034D Size: 8 bits

Bits	Description	Type	Default
7	RESERVED	RO	0b
6:4	When IPv4 / IPv6 DSCP field is 0x1B, use this value for priority	R/W	000b
3	RESERVED	RO	0b
2:0	When IPv4 / IPv6 DSCP field is 0x1A, use this value for priority	R/W	000b

5.1.4.48 IP DiffServ Priority Mapping 14 Register

Address: 0x034E Size: 8 bits

Bits	Description	Type	Default
7	RESERVED	RO	0b
6:4	When IPv4 / IPv6 DSCP field is 0x1D, use this value for priority	R/W	000b
3	RESERVED	RO	0b
2:0	When IPv4 / IPv6 DSCP field is 0x1C, use this value for priority	R/W	000b

5.1.4.49 IP DiffServ Priority Mapping 15 Register

Address: 0x034F Size: 8 bits

Bits	Description	Type	Default
7	RESERVED	RO	0b
6:4	When IPv4 / IPv6 DSCP field is 0x1F, use this value for priority	R/W	000b
3	RESERVED	RO	0b
2:0	When IPv4 / IPv6 DSCP field is 0x1E, use this value for priority	R/W	000b

KSZ9897S

5.1.4.50 IP DiffServ Priority Mapping 16 Register

Address: 0x0350 Size: 8 bits

Bits	Description	Type	Default
7	RESERVED	RO	0b
6:4	When IPv4 / IPv6 DSCP field is 0x21, use this value for priority	R/W	000b
3	RESERVED	RO	0b
2:0	When IPv4 / IPv6 DSCP field is 0x20, use this value for priority	R/W	000b

5.1.4.51 IP DiffServ Priority Mapping 17 Register

Address: 0x0351 Size: 8 bits

Bits	Description	Type	Default
7	RESERVED	RO	0b
6:4	When IPv4 / IPv6 DSCP field is 0x23, use this value for priority	R/W	000b
3	RESERVED	RO	0b
2:0	When IPv4 / IPv6 DSCP field is 0x22, use this value for priority	R/W	000b

5.1.4.52 IP DiffServ Priority Mapping 18 Register

Address: 0x0352 Size: 8 bits

Bits	Description	Type	Default
7	RESERVED	RO	0b
6:4	When IPv4 / IPv6 DSCP field is 0x25, use this value for priority	R/W	000b
3	RESERVED	RO	0b
2:0	When IPv4 / IPv6 DSCP field is 0x24, use this value for priority	R/W	000b

5.1.4.53 IP DiffServ Priority Mapping 19 Register

Address: 0x0353 Size: 8 bits

Bits	Description	Type	Default
7	RESERVED	RO	0b
6:4	When IPv4 / IPv6 DSCP field is 0x27, use this value for priority	R/W	000b
3	RESERVED	RO	0b
2:0	When IPv4 / IPv6 DSCP field is 0x26, use this value for priority	R/W	000b

5.1.4.54 IP DiffServ Priority Mapping 20 Register

Address: 0x0354 Size: 8 bits

Bits	Description	Type	Default
7	RESERVED	RO	0b
6:4	When IPv4 / IPv6 DSCP field is 0x29, use this value for priority	R/W	000b
3	RESERVED	RO	0b
2:0	When IPv4 / IPv6 DSCP field is 0x28, use this value for priority	R/W	000b

5.1.4.55 IP DiffServ Priority Mapping 21 Register

Address: 0x0355 Size: 8 bits

Bits	Description	Type	Default
7	RESERVED	RO	0b
6:4	When IPv4 / IPv6 DSCP field is 0x2B, use this value for priority	R/W	000b
3	RESERVED	RO	0b
2:0	When IPv4 / IPv6 DSCP field is 0x2A, use this value for priority	R/W	000b

5.1.4.56 IP DiffServ Priority Mapping 22 Register

Address: 0x0350 Size: 8 bits

Bits	Description	Type	Default
7	RESERVED	RO	0b
6:4	When IPv4 / IPv6 DSCP field is 0x2D, use this value for priority	R/W	000b
3	RESERVED	RO	0b
2:0	When IPv4 / IPv6 DSCP field is 0x2C, use this value for priority	R/W	000b

5.1.4.57 IP DiffServ Priority Mapping 23 Register

Address: 0x0357 Size: 8 bits

Bits	Description	Type	Default
7	RESERVED	RO	0b
6:4	When IPv4 / IPv6 DSCP field is 0x2F, use this value for priority	R/W	000b
3	RESERVED	RO	0b
2:0	When IPv4 / IPv6 DSCP field is 0x2E, use this value for priority	R/W	000b

KSZ9897S

5.1.4.58 IP DiffServ Priority Mapping 24 Register

Address: 0x0358 Size: 8 bits

Bits	Description	Type	Default
7	RESERVED	RO	0b
6:4	When IPv4 / IPv6 DSCP field is 0x31, use this value for priority	R/W	000b
3	RESERVED	RO	0b
2:0	When IPv4 / IPv6 DSCP field is 0x30, use this value for priority	R/W	000b

5.1.4.59 IP DiffServ Priority Mapping 25 Register

Address: 0x0359 Size: 8 bits

Bits	Description	Type	Default
7	RESERVED	RO	0b
6:4	When IPv4 / IPv6 DSCP field is 0x33, use this value for priority	R/W	000b
3	RESERVED	RO	0b
2:0	When IPv4 / IPv6 DSCP field is 0x32, use this value for priority	R/W	000b

5.1.4.60 IP DiffServ Priority Mapping 26 Register

Address: 0x035A Size: 8 bits

Bits	Description	Type	Default
7	RESERVED	RO	0b
6:4	When IPv4 / IPv6 DSCP field is 0x35, use this value for priority	R/W	000b
3	RESERVED	RO	0b
2:0	When IPv4 / IPv6 DSCP field is 0x34, use this value for priority	R/W	000b

5.1.4.61 IP DiffServ Priority Mapping 27 Register

Address: 0x035B Size: 8 bits

Bits	Description	Type	Default
7	RESERVED	RO	0b
6:4	When IPv4 / IPv6 DSCP field is 0x37, use this value for priority	R/W	000b
3	RESERVED	RO	0b
2:0	When IPv4 / IPv6 DSCP field is 0x36, use this value for priority	R/W	000b

5.1.4.62 IP DiffServ Priority Mapping 28 Register

Address: 0x035C Size: 8 bits

Bits	Description	Type	Default
7	RESERVED	RO	0b
6:4	When IPv4 / IPv6 DSCP field is 0x39, use this value for priority	R/W	000b
3	RESERVED	RO	0b
2:0	When IPv4 / IPv6 DSCP field is 0x38, use this value for priority	R/W	000b

5.1.4.63 IP DiffServ Priority Mapping 29 Register

Address: 0x035D Size: 8 bits

Bits	Description	Type	Default
7	RESERVED	RO	0b
6:4	When IPv4 / IPv6 DSCP field is 0x3B, use this value for priority	R/W	000b
3	RESERVED	RO	0b
2:0	When IPv4 / IPv6 DSCP field is 0x3A, use this value for priority	R/W	000b

5.1.4.64 IP DiffServ Priority Mapping 30 Register

Address: 0x035E Size: 8 bits

Bits	Description	Type	Default
7	RESERVED	RO	0b
6:4	When IPv4 / IPv6 DSCP field is 0x3D, use this value for priority	R/W	000b
3	RESERVED	RO	0b
2:0	When IPv4 / IPv6 DSCP field is 0x3C, use this value for priority	R/W	000b

5.1.4.65 IP DiffServ Priority Mapping 31 Register

Address: 0x035F Size: 8 bits

Bits	Description	Type	Default
7	RESERVED	RO	0b
6:4	When IPv4 / IPv6 DSCP field is 0x3F, use this value for priority	R/W	000b
3	RESERVED	RO	0b
2:0	When IPv4 / IPv6 DSCP field is 0x3E, use this value for priority	R/W	000b

KSZ9897S

5.1.4.66 Global Port Mirroring and Snooping Control Register

Address: 0x0370 Size: 8 bits

This register contains global controls for port mirroring and IGMP and MLD snooping. Mirroring also requires additional register settings for the individual ports. Refer to the [Port N: Port Switch Ingress Control Registers \(0xN800 - 0xN8FF\)](#).

Bits	Description	Type	Default
7	RESERVED	RO	0b
6	IGMP Snooping Enable (IPv4) 1 = IGMP snooping is enabled. All IGMP packets will be forwarded to the host port. 0 = IGMP snooping is disabled.	R/W	0b
5:4	RESERVED	RO	00b
3	MLD Snooping Option 1 = Snooping criteria: IPv6 next header = 43, 44, 50, 51 or 60; or next header = 0 and hop-by-hop next header = 43, 44, 50, 51 or 60. 0 = Snooping criteria: IPv6 next header = 1 or 58; or next header = 0 and hop-by-hop next header = 1 or 58.	R/W	0b
2	MLD Snooping Enable (IPv6) 1 = MLD snooping is enabled. All MLD packets will be forwarded to the host port. 0 = MLD snooping is disabled.	R/W	0b
1	RESERVED	RO	0b
0	Sniff Mode Select 1 = Sniffing filter is "Rx AND Tx". Both the source port and destination ports need to match. 0 = Sniffing filter is "Rx OR Tx". Either the source port or the destination port needs to match. This mode is used to implement Rx-only sniffing.	R/W	0b

5.1.4.67 WRED DiffServ Color Mapping Register

Address: 0x0378 Size: 8 bits

Bits	Description	Type	Default
7:6	RESERVED	RO	00b
5:4	Red This field specifies the red Differentiated Services Code Point (DSCP) value.	R/W	11b
3:2	Yellow This field specifies the yellow DSCP value.	R/W	10b
1:0	Green This field specifies the green DSCP value.	R/W	01b

5.1.4.68 Queue Management Control 0 Register

Address: 0x0390 - 0x0393 Size: 32 bits

Bits	Description	Type	Default
31:8	RESERVED	RO	0x000000
7:6	<p>Priority_2Q</p> <p>When the 2 queue configuration is selected, this determines how to map the 2-bit priority regeneration result from the Port Priority to Queue Mapping Register into 2 queues.</p> <p>00 = Priorities 0, 1, 2 map to the Low priority queue. Priority 3 maps to the High priority queue.</p> <p>01 = Not used.</p> <p>10 = Priorities 0, 1 map to the Low priority queue. Priorities 2, 3 map to the High priority queue.</p> <p>11 = Priority 0 maps to the Low priority queue. Priorities 1, 2, 3 map to the High priority queue.</p>	R/W	10b
5:2	RESERVED	R/W	00_00b
1	<p>Unicast Port VLAN Membership Discard</p> <p>This bit applies to the Port VLAN Membership function in registers 0xNA04-07.</p> <p>1 = All frames are restricted to the forwarding ports as defined in the Port Control 1 Register.</p> <p>0 = Frames forwarding to a single destination port are not limited to the forwarding ports defined in the Port Control 1 Register. Note that when mirroring is enabled, a single-destination frames will be dropped if it is mirrored to another port.</p>	R/W	1b
0	RESERVED	R/W	0b

KSZ9897S

5.1.5 GLOBAL SWITCH LOOK UP ENGINE (LUE) CONTROL REGISTERS (0x0400 - 0x04FF)

The following registers are used for accessing the VLAN Table, Address Lookup Table, Static Address Table and the Reserved Multicast Address Table. The organizations of these tables, and instructions for accessing them, are provided in [Section 5.3, "Tables and MIB Counters \(Access\)," on page 153](#).

5.1.5.1 VLAN Table Entry 0 Register

Address: 0x0400 - 0x403 Size: 32 bits

Bits	Description	Type	Default
31	VALID This field in the VLAN Table specifies if the table entry is valid. 1 = Table entry is valid 0 = Table entry is invalid	R/W	0b
30:28	RESERVED	RO	000b
27	FORWARD OPTION This field in the VLAN Table specifies how the forwarding ports are determined. 1 = Forward to the VLAN Table port map (PORT FORWARD field). 0 = Forwarding ports are determined by other variables. It may be the ALU port map, the VLAN port map, the combination of the two, or the Unknown Unicast/Multicast feature.	R/W	0b
26:24	PRIORITY This field in the VLAN Table specifies the priority level.	R/W	000b
23:15	RESERVED	RO	0000_0000_0b
14:12	MSTP INDEX This field in the VLAN Table specifies the Multiple Spanning Tree Protocol index.	R/W	000b
11:7	RESERVED	RO	0000_0b
6:0	FID This field in the VLAN Table specifies the Filter ID. The FID value is normally combined with the destination address and then hashed to index the address lookup table.	R/W	000_0000b

Note: Refer to [Section 5.3.4, "VLAN Table," on page 160](#) for additional information on VLAN tables.

5.1.5.2 VLAN Table Entry 1 Register

Address: 0x0404 - 0x407 Size: 32 bits

Bits	Description	Type	Default
31:7	RESERVED	R/O	0x0000000
6:0	PORT UNTAG This field in the VLAN Table specifies the untagging policy for each egress port. Bits [6:0] correspond to ports [7:1]. 1 = Untag packets upon egress at this port 0 = Do not untag upon egress at this port	R/W	0x00

Note: Refer to [Section 5.3.4, "VLAN Table," on page 160](#) for additional information on VLAN tables.

5.1.5.3 VLAN Table Entry 2 Register

Address: 0x0408 - 0x040B Size: 32 bits

Bits	Description	Type	Default
31:7	RESERVED	R/O	0x0000000
6:0	PORT FORWARD This field specifies the forwarding policy to each port. The policy is applied if the FO bit is set. Bits [6:0] correspond to ports [7:1]. 1 = Forward to this port 0 = Do not forward to this port	R/W	0x00

Note: Refer to [Section 5.3.4, "VLAN Table," on page 160](#) for additional information on VLAN tables.

5.1.5.4 VLAN Table Index Register

Address: 0x040C - 0x040D Size: 16 bits

Bits	Description	Type	Default
15:12	RESERVED	RO	0x0
11:0	VLAN Index This value addresses the VLAN table, in combination with the VLAN table action in the following register.	R/W	0x000

Note: Refer to [Section 5.3.4, "VLAN Table," on page 160](#) for additional information on VLAN tables.

KSZ9897S

5.1.5.5 VLAN Table Access Control Register

Address: 0x040E Size: 8 bits

Bits	Description	Type	Default
7	Start VLAN Table Action 1 = Start the action defined below 0 = Action finished	R/W SC	0b
6:2	RESERVED	RO	000_00b
1:0	Action Specify the action to be taken for the VLAN table entry addressed in the index register 00 = No operation 01 = Write 10 = Read 11 = Clear all entries to zero	R/W	00b

Note: Refer to [Section 5.3.4, "VLAN Table,"](#) on page 160 for additional information on VLAN tables.

5.1.5.6 ALU Table Index 0 Register

Address: 0x0410 - 0x0413 Size: 32 bits

The [ALU Table Index 0 Register](#) and [ALU Table Index 1 Register](#) contain the index values for searching and reading/writing the address lookup table as specified by the action in the [ALU Table Access Control Register](#). For additional information on ALU tables, refer to [Section 5.3.1, "Address Lookup \(ALU\) Table,"](#) on page 153.

Bits	Description	Type	Default
31	RESERVED	R/W	0b
30:23	RESERVED	RO	000_0000_0b
22:16	FID Index [6:0] This is the FID value used to hash index the table	R/W	000_0000b
15:0	MAC Index [47:32] These are the upper 16 bits of the MAC addressed used to hash index the table	R/W	0x0000

5.1.5.7 ALU Table Index 1 Register

Address: 0x0414 - 0x0417 Size: 32 bits

The [ALU Table Index 0 Register](#) and [ALU Table Index 1 Register](#) contain the index values for searching and reading/writing the address lookup table as specified by the action in the [ALU Table Access Control Register](#). For additional information on ALU tables, refer to [Section 5.3.1, "Address Lookup \(ALU\) Table," on page 153](#).

Bits	Description	Type	Default
31:0	MAC Index [31:0] These are the lower 32 bits of the MAC addressed used to hash index the address lookup table. If direct addressing is enabled, then bits [11:0] are used to directly index the address lookup table.	R/W	0x00000000

5.1.5.8 ALU Table Access Control Register

Address: 0x0418 - 0x041B Size: 32 bits

This register provides control and status for searching and reading or writing the ALU Table. The [ALU Table Index 0 Register](#) and [ALU Table Index 1 Register](#) contain the index values, while the [ALU / Static Address Table Entry 1 Register](#), [ALU / Static Address / Reserved Multicast Table Entry 2 Register](#), [ALU / Static Address Table Entry 3 Register](#), and [ALU / Static Address Table Entry 4 Register](#) are used for the entry values. Refer to [Section 5.3.1, "Address Lookup \(ALU\) Table," on page 153](#) for additional information on ALU tables.

Bits	Description	Type	Default
31:30	RESERVED	RO	00b
29:16	VALID_COUNT Indicates the total number of valid entries in the table after the search finishes	RO	0x0000
15:8	RESERVED	RO	0x00
7	START_FINISH 1 = Start the action defined below 0 = Action finished	R/W, SC	0b
6	VALID For search operation. It is cleared when register 0x042F (ALU / Static Address Table Entry 4 Register) is read. 1 = Indicates that the next valid entry is ready 0 = Next valid entry is not ready	RO	0b
5	VALID_ENTRY_OR_SEARCH_END For search operation. It is intended for added convenience when accessing registers by in-band management (IBA) rather than SPI or I ² C. It combines bits 6 and 7. 1 = Indicates either that the next valid entry is ready, or that the search has ended. 0 = Neither next valid entry ready nor search ended.	RO	0b
4:3	RESERVED	R/W	00b

KSZ9897S

Bits	Description	Type	Default
2	DIRECT 1 = Access by direct addressing the ALU Table. This method is used only for debugging, if at all. 0 = Hashing function is used to index the table. This is the normal method. Refer to the Switch Lookup Engine Control 0 Register .	R/W	0b
1:0	ACTION Specifies the action to be taken for the ALU Table entry access 00 = No operation 01 = Write 10 = Read 11 = Search	R/W	00b

5.1.5.9 Static Address and Reserved Multicast Table Control Register

Address: 0x041C - 0x041F Size: 32 bits

This register provides control and index for reading and writing the Static Address Table and the Reserved Multicast Table. The [ALU / Static Address Table Entry 1 Register](#), [ALU / Static Address / Reserved Multicast Table Entry 2 Register](#), [ALU / Static Address Table Entry 3 Register](#), and [ALU / Static Address Table Entry 4 Register](#) are used for the Static Address Table entry values, while only the [ALU / Static Address / Reserved Multicast Table Entry 2 Register](#) is used for the Reserved Multicast Table entry value. Refer to [Section 5.3.2, "Static Address Table," on page 157](#) and [Section 5.3.3, "Reserved Multicast Address Table," on page 159](#) for additional information on these tables.

Bits	Description	Type	Default
31:22	RESERVED	RO	0x000
21:16	TABLE_INDEX Bits [21:16] used to index the Reserved Multicast Table Bits [19:16] used to index the Static Address Table	R/W	00_0000b
15:8	RESERVED	RO	0x00
7	START_FINISH 1 = Start access 0 = Access is finished	R/W, SC	0b
6:2	RESERVED	R/W	000_00b
1	TABLE_SELECT Specifies which table is being accessed 1 = Access Reserved Multicast Table 0 = Access Static Address Table	R/W	0b
0	ACTION Specifies the action to be taken for the table 1 = Read 0 = Write	R/W	0b

5.1.5.10 ALU / Static Address Table Entry 1 Register

Address: 0x0420 - 0x0423 Size: 32 bits

This register contains the table entry values for read and write operations to the Address Lookup Table and Static Address Table. The field definitions of this register differ dependent on the table type used, as defined in the following sections:

- [ALU Table Entry 1 Register on page 156](#)
- [Static Address Table Entry 1 Register on page 158](#)

Refer to [Section 5.3.1, "Address Lookup \(ALU\) Table," on page 153](#) and [Section 5.3.2, "Static Address Table," on page 157](#) for additional information.

5.1.5.11 ALU / Static Address / Reserved Multicast Table Entry 2 Register

Address: 0x0424 - 0x0427 Size: 32 bits

The field definitions of this register differ dependent on the table type used, as defined in the following sections:

- [ALU Table Entry 2 Register on page 156](#)
- [Static Address Table Entry 2 Register on page 158](#)
- [Reserved Multicast Address Table Entry 2 Register on page 160](#)

Refer to [Section 5.3.1, "Address Lookup \(ALU\) Table," on page 153](#), [Section 5.3.2, "Static Address Table," on page 157](#), and [Section 5.3.3, "Reserved Multicast Address Table," on page 159](#) for additional information.

5.1.5.12 ALU / Static Address Table Entry 3 Register

Address: 0x0428 - 0x042B Size: 32 bits

The field definitions of this register differ dependent on the table type used, as defined in the following sections:

- [ALU Table Entry 3 Register on page 157](#)
- [Static Address Table Entry 3 Register on page 159](#)

Refer to [Section 5.3.1, "Address Lookup \(ALU\) Table," on page 153](#) and [Section 5.3.2, "Static Address Table," on page 157](#) for additional information.

5.1.5.13 ALU / Static Address Table Entry 4 Register

Address: 0x042C - 0x042F Size: 32 bits

This register contains the table entry values for read and write operations to the Address Lookup Table and Static Address Table. The field definitions of this register differ dependent on the table type used, as defined in the following sections:

- [ALU Table Entry 4 Register on page 157](#)
- [Static Address Table Entry 4 Register on page 159](#)

Refer to [Section 5.3.1, "Address Lookup \(ALU\) Table," on page 153](#) and [Section 5.3.2, "Static Address Table," on page 157](#) for additional information.

KSZ9897S

5.2 Port Registers

This section details the device's port registers. All settings are on a per-port basis. Address field "N" specifies the port number. Valid values for "N" are 1 to 7 for some registers, 6 to 7 for MAC port specific registers, and 0 to 5 for PHY specific registers.

For an overview of the device's entire register map, refer to [Section 5.0, "Device Registers"](#). For details on the device's global registers, refer to [Section 5.1, "Global Registers"](#).

5.2.1 PORT N: PORT OPERATION CONTROL REGISTERS (0xN000 - 0xN0FF)

5.2.1.1 Port Default Tag 0 Register

Address: 0xN000 Size: 8 bits
Port N: 1-7

Bits	Description	Type	Default
7:0	Port Default 802.1Q Tag [15:8] Bits [7:5]: Priority Code Point (PCP) Bit [4]: Drop Eligible Indicator (DEI) Bits [3:0]: VLAN Identifier (VID) [11:8]	R/W	0x00

5.2.1.2 Port Default Tag 1 Register

Address: 0xN001 Size: 8 bits
Port N: 1-7

Bits	Description	Type	Default
7:0	Port Default 802.1Q tag [7:0] VLAN Identifier (VID) [7:0]	R/W	0x01

5.2.1.3 Port PME_WoL Event Register

Address: 0xN013 Size: 8 bits
Port N: 1-7

Bits	Description	Type	Default
7:3	RESERVED	RO	0000_0b
2	Magic Packet Detect To be detected, the destination address of the Magic Packet must match the Global Switch MAC Address in the Switch MAC Address 0 Register through Switch MAC Address 5 Register . 1 = Magic Packet is detected at this port 0 = Not detected	RO/WC	0b

Bits	Description	Type	Default
1	Link Up Detect Applicable only to ports with integrated PHY. 1 = Link up is detected at this port 0 = Not detected	RO/WC	0b
0	Energy Detect Applicable only to ports with integrated PHY. 1 = Cable energy is detected at this port 0 = Not detected	RO/WC	0b

5.2.1.4 Port PME_WoL Enable Register

Address: 0xN017 Size: 8 bits
Port N: 1-7

Bits	Description	Type	Default
7:3	RESERVED	RO	0000_0b
2	Magic Packet Detect Enable To be detected, the destination address of the Magic Packet must match the Global Switch MAC Address in the Switch MAC Address 0 Register through Switch MAC Address 5 Register . 1 = The PME pin will be asserted when a Magic Packet is detected at this port 0 = The PME pin will not be asserted by Magic Packet detection at this port	RO/WC	0b
1	Link Up Detect Enable Applicable only to ports with integrated PHY. 1 = The PME pin will be asserted when link up is detected at this port 0 = The PME pin will not be asserted by link up detection at this port	RO/WC	0b
0	Energy Detect Enable Applicable only to ports with integrated PHY. 1 = The PME pin will be asserted when cable energy is detected at this port 0 = The PME pin will not be asserted by cable energy detection at this port	RO/WC	0b

KSZ9897S

5.2.1.5 Port Interrupt Status Register

Address: 0xN01B Size: 8 bits
Port N: 1-7

These registers provide interrupt status for the individual ports. these interrupts are enabled in the [Port Interrupt Mask Register](#). For non-port specific interrupt status, refer to the [Global Interrupt Status Register](#).

Bits	Description	Type	Default
7:4	RESERVED	RO	0000b
3	SGMII Auto-Negotiation Done Interrupt Status 0 = No interrupt 1 = Interrupt detected	RO	0b
2	RESERVED	RO	0b
1	PHY Interrupt Status Applies only to PHY ports, not MAC port(s). Refer to the Port Interrupt Control / Status Register for individual PHY interrupts. 0 = No interrupt 1 = Interrupt detected	RO	0b
0	ACL Interrupt Status ACL interrupts can be generated by configuring an entry in the ACL Table for counter mode. All ports have an ACL Table. To clear this bit, toggle the ACL Interrupt Mask bit in the Port Interrupt Mask Register . 0 = No interrupt 1 = Interrupt detected	RO	0b

5.2.1.6 Port Interrupt Mask Register

Address: 0xN01F Size: 8 bits
Port N: 1-7

This register enables the interrupts in the [Port Interrupt Status Register](#).

Bits	Description	Type	Default
7:4	RESERVED	RO	0000b
3	SGMII Auto-Negotiation Done Interrupt Enable 0 = Interrupt enabled 1 = Interrupt disabled	R/W	0b
2	RESERVED	RO	0b
1	PHY Interrupt Enable Applies only to PHY ports. 0 = Interrupt enabled 1 = Interrupt disabled	R/W	0b

Bits	Description	Type	Default
0	ACL Interrupt Enable Applies to all ports. 0 = Interrupt enabled 1 = Interrupt disabled	R/W	0b

5.2.1.7 Port Operation Control 0 Register

Address: 0xN020 Size: 8 bits
 Port N: 1-7

Bits	Description	Type	Default
7	Local Loopback Data going from the internal switch fabric to an egress port is looped back at that egress port and returned to the internal switch fabric. 1 = Local loopback 0 = Normal operation	R/W	0b
6	Remote Loopback Data received at the external pins of a port is looped back and sent out the same port, without passing through the internal switch fabric. For PHY ports, data is received on the RX+/- pins and transmitted out the TX+/- pins. For xMII ports, data is received on the TXD pins and transmitted on the RXD pins. 1 = Remote loopback 0 = Normal operation	R/W	0b
5:3	RESERVED	RO	000b
2	Tail Tag Enable When tail tagging is enabled for a port, it designates that port to be the “host” or “CPU” port. Do not enable tail tagging for more than one port. See the tail tagging description for details. 1 = Enable tail tagging on this port 0 = Disable tail tagging for this port	R/W	0b
1:0	Egress Queue Split Enable 11 = Reserved 10 = Four egress queues. Packets are assigned to a queue based on priority. 01 = Two egress queues. Packets are assigned to a queue based on priority. 00 = Single egress queue. There is no priority differentiation.	R/W	00b

KSZ9897S

5.2.1.8 Port Status Register

Address: 0xN030 Size: 8 bits
Port N: 1-7

Bits	Description	Type	Default
7:5	RESERVED	RO	000
4:3	Port Speed Status For non-PHY ports, these bits duplicate the speed setting in the XMII Port Control 1 Register bit 6 and XMII Port Control 0 Register bit 4. For PHY ports, these bits indicate the actual link speed, which is also available in the PHY Control Register . 00 = 10 Mb/s 01 = 100 Mb/s 10 = 1000 Mb/s	RO	-
2	Port Duplex Status For non-PHY ports, this bit duplicates the duplex setting in the XMII Port Control 0 Register bit 6. For PHY ports, this bit indicates the actual link duplex, which is also available in the PHY Control Register . 1 = Full duplex 0 = Half duplex	RO	1 or -
1	Transmit Flow Control Enabled Status For non-PHY ports, this bit duplicates the Tx FC enable bit 5 in the XMII Port Control 0 Register . For PHY ports, this bit is set only when FC is enabled (PHY Auto-Negotiation Advertisement Register , bits 11:10), link is up and FC is established via auto-negotiation. 1 = TX flow control is enabled 0 = Disabled	RO	-
0	Receive Flow Control Enabled Status For non-PHY ports, this bit duplicates the Rx FC enable bit 3 in the XMII Port Control 0 Register . For PHY ports, this bit is set only when FC is enabled (PHY Auto-Negotiation Advertisement Register , bits 11:10), link is up and FC is established via auto-negotiation. 1 = RX flow control is enabled 0 = Disabled	RO	-

5.2.2 PORT N: PORT ETHERNET PHY REGISTERS (0xN100 - 0xN1FF)

The registers in this section are for PHY ports only. Refer to the IEEE802.3 clause 22.3.4 for additional details.

5.2.2.1 PHY Basic Control Register

Address: 0xN100 - 0xN101 Size: 16 bits
Port N: 1-5

PHY register 0x00.

Bits	Description	Type	Default
15	PHY Software Reset Set this bit to reset this PHY. Registers are not reset. This bit is self-clearing.	R/W SC	0b
14	Local Loopback Mode Data going from the internal switch fabric to an egress port is looped back at that egress port and returned to the internal switch fabric. 1 = Local Loopback mode 0 = Normal operation	R/W	0b
13	Speed Select (LSB) This bit is ignored if auto-negotiation is enabled (bit 12 in this register). Bits [6, 13] 11 = Reserved 10 = 1000 Mb/s 01 = 100 Mb/s 00 = 10 Mb/s	R/W	Note 5-4
12	Auto-Negotiation Enable 1 = Auto-negotiation is enabled 0 = Auto-negotiation is disabled The initial value of this bit is determined by a strapping option, but it may be overwritten.	R/W	Note 5-4
11	Power Down 1 = Power-down mode 0 = Normal operation When this bit is set to '1', the link-down status might not get updated in the PHY status register. Software should note link is down and should not rely on the PHY status register link status. After this bit is changed from '1' to '0', an internal reset is performed. Wait a minimum of 1ms before read/write access to this PHY's registers.	R/W	0b
10	Isolate 1 = Logical isolation of the PHY from the switch core 0 = Normal operation	R/W	0b
9	Re-start Auto-Negotiation Set this bit to re-start auto-negotiation. This bit is self-clearing.	R/W, SC	0b
8	Duplex Mode This bit is ignored if auto-negotiation is enabled (bit 12 in this register). 1 = Full duplex 0 = Half duplex	R/W	1b

KSZ9897S

Bits	Description	Type	Default
7	Collision Test 1 = Enable COL test 0 = Disable COL test	R/W	0b
6	Speed Select (MSB) This bit is ignored if auto-negotiation is enabled (bit 12 in this register). Bits [6, 13] 11 = Reserved 10 = 1000 Mb/s 01 = 100 Mb/s 00 = 10 Mb/s	R/W	Note 5-4
5:0	RESERVED	RO	0x00

Note 5-4 The default value of this field is determined by the associated configuration strap value. Refer to [Section 3.2.1, "Configuration Straps,"](#) on page 16 for additional information.

5.2.2.2 PHY Basic Status Register

Address: 0xN102 - 0xN103 Size: 16 bits
Port N: 1-5

PHY register 0x01.

Bits	Description	Type	Default
15	100BASE-T4 0 = PHY is not 100BASE-T4 capable	RO	0b
14	100BASE-TX Full Duplex 1 = PHY is 100BASE-TX full-duplex capable	RO	1b
13	100BASE-TX Half Duplex 1 = PHY is 100BASE-TX half-duplex capable	RO	1b
12	10 Mb/s Full Duplex 1 = PHY is 10 Mb/s full-duplex capable	RO	1b
11	10 Mb/s Half Duplex 1 = PHY is 10 Mb/s half-duplex capable	RO	1b
10:9	RESERVED	RO	00b
8	Extended Status 1 = PHY Extended Status Register contains extended status information.	RO	1b
7	RESERVED	RO	0b
6	MF Preamble Suppression 1 = PHY will accept management frames with preamble suppressed	RO	1b
5	Auto-negotiation Complete 1 = Auto-negotiation process is complete 0 = Auto-negotiation process is not complete	RO	-
4	Remote (Far End) Fault 1 = Remote fault condition detected 0 = No remote fault detected	RO LH	-

Bits	Description	Type	Default
3	Auto-Negotiation Ability 1 = PHY is able to perform auto-negotiation	RO	1b
2	Link Status 1 = Link is up 0 = Link is down	RO LL	-
1	Jabber Detect 1 = Jabber condition detected 0 = No jabber condition detected	RO LH	-
0	Extended Capability 1 = Supports extended capabilities register 0 = Basic register set capabilities only	RO	1b

5.2.2.3 PHY ID High Register

Address: 0xN104 - 0xN105 Size: 16 bits
Port N: 1-5

PHY register 0x02.

Bits	Description	Type	Default
15:0	PHY Identifier High Word	RO	0x0022

5.2.2.4 PHY ID Low Register

Address: 0xN106 - 0xN107 Size: 16 bits
Port N: 1-5

PHY register 0x03.

Bits	Description	Type	Default
15:0	PHY Identifier Low Word	RO	0x1631

KSZ9897S

5.2.2.5 PHY Auto-Negotiation Advertisement Register

Address: 0xN108 - 0xN109 Size: 16 bits
Port N: 1-5

PHY register 0x04.

Bits	Description	Type	Default
15	Next Page 1 = Next page capable 0 = No next page capability	R/W	0b
14	Reserved	RO	0b
13	Remote Fault 1 = Remote fault capable 0 = No remote fault capability	R/W	0b
12	RESERVED	RO	0b
11:10	Pause (Flow Control) Capability 11 = Both Symmetric PAUSE and Asymmetric PAUSE toward local device 10 = Asymmetric PAUSE toward link partner 01 = Symmetric PAUSE 00 = No PAUSE	R/W	01b
9	100BASE-T4 1 = 100BASE-T4 capable 0 = No 100BASE-T4 capability	RO	0b
8	100BASE-TX Full Duplex 1 = 100BASE-TX full duplex capable 0 = No 100BASE-TX full duplex capability	R/W	1b
7	100BASE-TX Half Duplex 1 = 100BASE-TX half duplex capable 0 = No 100BASE-TX half duplex capability	R/W	1b
6	10BASE-T Full Duplex 1 = 10BASE-T full duplex capable 0 = No 10BASE-T full duplex capability	R/W	1b
5	10BASE-T Half Duplex 1 = 10BASE-T half duplex capable 0 = No 10BASE-T half duplex capability	R/W	1b
4:0	Selector Field 00001 = IEEE 802.3	R/W	0x01

5.2.2.6 PHY Auto-Negotiation Link Partner Ability Register

Address: 0xN10A - 0xN10B Size: 16 bits
Port N: 1-5

PHY register 0x05.

Bits	Description	Type	Default
15	Next Page 1 = Next page capable 0 = No next page capability	RO	-
14	Acknowledge 1 = Link code word received from partner 0 = Link code word not yet received	RO	-
13	Remote Fault 1 = Remote fault detected 0 = No remote fault	RO	-
12	RESERVED	RO	-
11:10	Pause (Flow Control) Capability 11 = Both Symmetric PAUSE and Asymmetric PAUSE toward local device 10 = Asymmetric PAUSE toward link partner 01 = Symmetric PAUSE 00 = No PAUSE	RO	-
9	100BASE-T4 1 = 100BASE-T4 capable 0 = No 100BASE-T4 capability	RO	-
8	100BASE-TX Full Duplex 1 = 100BASE-TX full duplex capable 0 = No 100BASE-TX full duplex capability	RO	-
7	100BASE-TX Half Duplex 1 = 100BASE-TX half duplex capable 0 = No 100BASE-TX half duplex capability	RO	-
6	10BASE-T Full Duplex 1 = 10BASE-T full duplex capable 0 = No 10BASE-T full duplex capability	RO	-
5	10BASE-T Half Duplex 1 = 10BASE-T half duplex capable 0 = No 10BASE-T half duplex capability	RO	-
4:0	Selector Field 00001 = IEEE 802.3	RO	-

KSZ9897S

5.2.2.7 PHY Auto-Negotiation Expansion Status Register

Address: 0xN10C - 0xN10D Size: 16 bits
Port N: 1-5

PHY register 0x06.

Bits	Description	Type	Default
15:5	RESERVED	RO	0x000
4	Parallel Detection Fault 1 = Fault detected by parallel detection 0 = No fault detected by parallel detection	RO LH	-
3	Link Partner Next Page Able 1 = Link partner has next page capability 0 = Link partner does not have next page capability	RO	-
2	Next Page Able 1 = Local device has next page capability 0 = Local device does not have next page capability	RO	1b
1	Page Received 1 = New page received 0 = New page not received	RO LH	-
0	Link Partner Auto-Negotiation Able 1 = Link partner has auto-negotiation capability 0 = Link partner does not have auto-negotiation capability	RO	-

5.2.2.8 PHY Auto-Negotiation Next Page Register

Address: 0xN10E - 0xN10F Size: 16 bits
Port N: 1-5

PHY register 0x07.

Bits	Description	Type	Default
15	Next Page 1 = Additional next page(s) will follow 0 = Last page	R/W	0b
14	Reserved	RO	0b
13	Message Page 1 = Message page 0 = Unformatted page	R/W	1b
12	Acknowledge 2 1 = Will comply with message 0 = Cannot comply with message	R/W	0b

Bits	Description	Type	Default
11	Toggle 1 = Previous value of transmitted link code word equaled logic one 0 = Previous value of transmitted link code word equaled logic zero	RO	0b
10:0	Message Field	R/W	0x001

5.2.2.9 PHY Auto-Negotiation Link Partner Next Page Ability Register

Address: 0xN110 - 0xN111 Size: 16 bits
Port N: 1-5

PHY register 0x08.

Bits	Description	Type	Default
15	Next Page 1 = Additional next page(s) will follow 0 = Last page	R/W	-
14	Acknowledge 1 = Successful receipt of link word 0 = No successful receipt of link word	RO	-
13	Message Page 1 = Message page 0 = Unformatted page	RO	-
12	Acknowledge 2 1 = Able to act on the information 0 = Not able to act on the information	RO	-
11	Toggle 1 = Previous value of transmitted link code word equaled logic zero 0 = Previous value of transmitted link code word equaled logic one	RO	-
10:0	Message Field	RO	-

KSZ9897S

5.2.2.10 PHY 1000BASE-T Control Register

Address: 0xN112 - 0xN113 Size: 16 bits
Port N: 1-5

PHY register 0x09.

Bits	Description	Type	Default
15:13	Test Mode Bits	R/W	000b
12	Master-Slave Manual Configuration Enable 1 = Enable master-slave manual configuration 0 = Disable master-slave manual configuration	R/W	0b
11	Master-Slave Manual Configuration Value This bit is ignored if master-slave manual configuration is disabled (bit 12) 1 = Configure PHY as master during master-slave negotiation 0 = Configure PHY as slave during master-slave negotiation	R/W	0b
10	Port Type This bit is valid only if master-slave manual configuration is disabled (bit 12) 1 = Indicate the preference to operate as multi-port device (master) 0 = Indicate the preference to operate as single-port device (slave)	R/W	0b
9	1000BASE-T Full Duplex 1 = Advertise that PHY is 1000BASE-T full duplex capable 0 = Advertise that PHY is not 1000BASE-T full duplex capable	R/W	1b
8	1000BASE-T Half Duplex 1 = Advertise that PHY is 1000BASE-T half duplex capable 0 = Advertise that PHY is not 1000BASE-T half duplex capable	R/W	1b
7:0	RESERVED	RO	-

5.2.2.11 PHY 1000BASE-T Status Register

Address: 0xN114 - 0xN115 Size: 16 bits
Port N: 1-5

PHY register 0x0A.

Bits	Description	Type	Default
15	Master-Slave Configuration Fault 1 = Master-slave configuration fault detected 0 = No master-slave configuration fault detected	RO LH SC	0b
14	Master-Slave Configuration Resolution 1 = Local PHY configuration resolved to master 0 = Local PHY configuration resolved to slave	RO	-
13	Local Receiver Status 1 = Local receiver OK 0 = Local receiver not OK	RO	-

Bits	Description	Type	Default
12	Remote Receiver Status 1 = Remote receiver OK 0 = Remote receiver not OK	RO	-
11	Link Partner 1000BASE-T Full Duplex Capability 1 = Link partner is capable of 1000BASE-T full duplex 0 = Link partner is not capable of 1000BASE-T full duplex	RO	-
10	Link Partner 1000BASE-T Half Duplex Capability 1 = Link partner is capable of 1000BASE-T half duplex 0 = Link partner is not capable of 1000BASE-T half duplex	RO	-
9:8	RESERVED	RO	00b
7:0	Idle Error Count Cumulative count of errors detected when receiver is receiving idles and PMA_TXMODE.indicate = Send_N. The counter is incremented every symbol period that rxerror_status = ERROR.	RO SC	0x00

5.2.2.12 PHY MMD Setup Register

Address: 0xN11A - 0xN11B Size: 16 bits
Port N: 1-5

PHY register 0x0D.

Bits	Description	Type	Default
15:14	MMD Operation Mode For the selected MMD device address (bits [4:0] of this register), these two bits select one of the following register or data operations and the usage for the PHY MMD Data Register . 00 = Register 01 = Data, no post increment 10 = Data, post increment on reads and writes 11 = Data, post increment on writes only	R/W	00b
13:5	RESERVED	R/W	0x000
4:0	MMD Device Address	R/W	0x00

KSZ9897S

5.2.2.13 PHY MMD Data Register

Address: 0xN11C - 0xN11D Size: 16 bits
Port N: 1-5

PHY register 0x0E.

Bits	Description	Type	Default
15:0	MMD R/W Index/Data For the selected MMD device address (in the PHY MMD Setup Register , bits [4:0]): When the PHY MMD Setup Register bits [15:14] = 00, this register contains the read/write register access for the MDD device address. Otherwise, this register contains the read/write data value for the MMD device address and its selected register address Refer to the PHY MMD Setup Register bits [15:14] for descriptions of post increment reads and writes of this register for data operation.	R/W	0x0000

5.2.2.14 PHY Extended Status Register

Address: 0xN11E - 0xN11F Size: 16 bits
Port N: 1-5

PHY register 0x0F.

Bits	Description	Type	Default
15	1000BASE-X Full-Duplex 1 = PHY able to perform 1000BASE-T full duplex 0 = PHY cannot perform 1000BASE-T full-duplex	RO	0b
14	1000BASE-X Half-Duplex 1 = PHY able to perform 1000BASE-T half duplex 0 = PHY cannot perform 1000BASE-T half-duplex	RO	0b
13	1000BASE-T Full-Duplex 1 = PHY able to perform 1000BASE-T full duplex 0 = PHY cannot perform 1000BASE-T full-duplex	RO	1b
12	1000BASE-T Half-Duplex 1 = PHY able to perform 1000BASE-T half duplex 0 = PHY cannot perform 1000BASE-T half-duplex	RO	1b
11:0	RESERVED	RO	–

5.2.2.15 PHY Remote Loopback Register

Address: 0xN122 - 0xN123 Size: 16 bits
Port N: 1-5

PHY register 0x11.

Bits	Description	Type	Default
15:9	RESERVED	R/W	0x00
8	Remote Loopback Data received at the external pins of a port is looped back and sent out the same port, without passing through the internal switch fabric. For PHY ports, data is received on the RX+/- pins and transmitted out the TX+/- pins. For xMII ports, data is received on the TXD pins and transmitted on the RXD pins. 1 = Remote loopback 0 = Normal operation	R/W	0b
7:2	RESERVED	R/W	1111_01b
1	RESERVED	R/W RC	0b
0	RESERVED	RO	0b

5.2.2.16 PHY LinkMD Register

Address: 0xN124 - 0xN125 Size: 16 bits
Port N: 1-5

PHY register 0x12.

Bits	Description	Type	Default
15	Cable Diagnostic Test Enable Write value: 1 = Enable cable diagnostic test. After test has completed, this bit is self-cleared. 0 = Disable cable diagnostic test. Read value: 1 = Cable diagnostic test is in progress. 0 = Indicates cable diagnostic test (if enabled) has completed and the status information is valid for read.	R/W, SC	0b
14	RESERVED	R/W	0b
13:12	Cable Diagnostic Test Pair These two bits select the differential pair for testing: 00 = Differential pair A 01 = Differential pair B 10 = Differential pair C 11 = Differential pair D	R/W	00b

KSZ9897S

Bits	Description	Type	Default
11:10	RESERVED	R/W	00b
9:8	Cable Diagnostic Status 00 = Normal cable condition (no fault detected) 01 = Open cable fault detected 10 = Short cable fault detected 11 = Reserved	RO	00b
7:0	RESERVED	RO	0x00

5.2.2.17 PHY Digital PMA/PCS Status Register

Address: 0xN126 - 0xN127 Size: 16 bits
Port N: 1-5

PHY register 0x13.

Bits	Description	Type	Default
15:2	RESERVED	RO LH	0x0000
1	1000BASE-T Link Status 1 = Link is up 0 = Link is down	RO	-
0	100BASE-TX Link Status 1 = Link is up 0 = Link is down	RO	-

5.2.2.18 Port RXER Count Register

Address: 0xN12A - 0xN12B Size: 16 bits
Port N: 1-5

PHY register 0x15.

Bits	Description	Type	Default
15:0	RXER Counter Count of receive frames with one or more symbol errors.	RO RC	0x0000

5.2.2.19 Port Interrupt Control / Status Register

Address: 0xN136 - 0xN137 Size: 16 bits
Port N: 1-5

PHY register 0x1B.

Bits	Description	Type	Default
15	Jabber Interrupt Enable 1 = Enable jabber interrupt 0 = Disable jabber interrupt	R/W	0b
14	Receive Error Interrupt Enable 1 = Enable receive error interrupt 0 = Disable receive error interrupt	R/W	0b
13	Page Received Interrupt Enable 1 = Enable page received interrupt 0 = Disable page received interrupt	R/W	0b
12	Parallel Detect Fault Interrupt Enable 1 = Enable parallel detect fault interrupt 0 = Disable parallel detect fault interrupt	R/W	0b
11	Link Partner Acknowledge Interrupt Enable 1 = Enable link partner acknowledge interrupt 0 = Disable link partner acknowledge interrupt	R/W	0b
10	Link Down Interrupt Enable 1 = Enable link down interrupt 0 = Disable link down interrupt	R/W	0b
9	Remote Fault Interrupt Enable 1 = Enable remote fault interrupt 0 = Disable remote fault interrupt	R/W	0b
8	Link Up Interrupt Enable 1 = Enable link up interrupt 0 = Disable link up interrupt	R/W	0b
7	Jabber Interrupt 1 = Jabber occurred 0 = Jabber did not occur	RO RC	0b
6	Receive Error Interrupt 1 = Receive error occurred 0 = Receive error did not occur	RO RC	0b
5	Page Received Interrupt 1 = Page receive occurred 0 = Page receive did not occur	RO RC	0b
4	Parallel Detect Fault Interrupt 1 = Parallel detect fault occurred 0 = Parallel detect fault did not occur	RO RC	0b

KSZ9897S

Bits	Description	Type	Default
3	Link Partner Acknowledge Interrupt 1 = Link partner acknowledge occurred 0 = Link partner acknowledge did not occur	RO RC	0b
2	Link Down Interrupt 1 = Link down occurred 0 = Link down did not occur	RO RC	0b
1	Remote Fault Interrupt 1 = Remote fault occurred 0 = Remote fault did not occur	RO RC	0b
0	Link Up Interrupt 1 = Link up occurred 0 = Link up did not occur	RO RC	0b

5.2.2.20 PHY Auto MDI / MDI-X Register

Address: 0xN138 - 0xN139 Size: 16 bits
Port N: 1-5

PHY register 0x1C.

Bits	Description	Type	Default
15:8	RESERVED	R/W	0x00
7	MDI Set When Swap-Off bit is one, 1 = PHY is set to operate in MDI mode 0 = PHY is set to operate in MDI-X mode This bit has no function when Swap-Off is zero.	R/W	0b
6	Swap-Off 1 = Disable Auto MDI / MDI-X function 0 = Enable Auto MDI / MDI-X function (normal operation)	R/W	0b
5:0	RESERVED	R/W	0x00

5.2.2.21 PHY Control Register

Address: 0xN13E - 0xN13F Size: 16 bits
Port N: 1-5

PHY register 0x1F.

Bits	Description	Type	Default
15:12	RESERVED	R/W	0x0
11:10	RESERVED	RO LH RC	00b
9	Enable Jabber 1 = Enable jabber counter 0 = Disable jabber counter	R/W	1b
8:7	RESERVED	R/W	10b
6	Speed Status 1000BASE-T 1 = PHY final speed status is 1000BASE-T	RO	-
5	Speed Status 100BASE-TX 1 = PHY final speed status is 100BASE-TX	RO	-
4	Speed Status 10BASE-T 1 = PHY final speed status is 10BASE-T	RO	-
3	Duplex Status 1 = Full duplex 0 = Half duplex	RO	-
2	1000BASE-T Master / Slave Status 1 = 1000BASE-T master mode 0 = 1000BASE-T slave mode	RO	-
1	RESERVED	R/W RC	0b
0	RESERVED	RO RC	-

KSZ9897S

5.2.3 PORT N: PORT SGMII CONTROL REGISTERS (0xN200 - 0xN2FF)

The Port 7 SGMII registers are accessed indirectly using the following two registers. The indirect SGMII registers, along with details on how to access them, are described in [Section 5.5, "SGMII Registers \(Indirect\)," on page 167](#).

Steps for SGMII register reads:

1. Write the SGMII register address to the [Port SGMII Address Register](#).
2. Read the SGMII register data from the [Port SGMII Data Register](#).

Steps for SGMII register write:

1. Write the SGMII register address to the [Port SGMII Address Register](#).
2. Write the SGMII register data to the [Port SGMII Data Register](#).

5.2.3.1 Port SGMII Address Register

Address: 0xN200 - 0xN203 Size: 32 bits
Port N: 7

Bits	Description	Type	Default
31:24	RESERVED	RO	0x00
23	Auto-Increment Enable (AUTO_INC_ENB) Auto Increment can be enabled if the addresses are in sequence. 1 = Address will auto-increment 0 = Address will not auto-increment	R/W	0b
22:21	RESERVED	RO	00b
20:0	SGMII Address (SGMII_ADDR) This address will increment automatically after each red or write if Auto-Increment Enable is set to one. The upper 5 bits [20:16] are device address. Bit [15]: 0 = standard register 1 = vendor specific register The lowest 8 bits [7:0] are offset register address.	R/W	0x1F0000

5.2.3.2 Port SGMII Data Register

Address: 0xN206 - 0xN207 Size: 16 bits
Port N: 7

Bits	Description	Type	Default
15:0	SGMII Data (SGMII_DATA)	R/W	0x0000

5.2.4 PORT N: PORT RGMII/MII/RMII CONTROL REGISTERS (0xN300 - 0xN3FF)

5.2.4.1 XMII Port Control 0 Register

Address: 0xN300 Size: 8 bits
Port N: 6-7

Bits	Description	Type	Default
7	RESERVED	RO	1b for port 7 0b for port 6
6	MAC Port Duplex 1 = Port MAC interface operates in full-duplex mode 0 = Port MAC interface operates in half-duplex mode	R/W	1b
5	MAC Port Transmit Flow Control Enable 1 = Enable transmit flow control on this port 0 = Disable transmit flow control on this port	R/W	Note 5-5
4	MAC Port Speed 10/100 This bit is ignored if bit 6 in the XMII Port Control 1 Register selects 1000 Mb/s. If bit 6 in the XMII Port Control 1 Register is one, then this bit determines the port speed: 1 = Port operates at 100 Mb/s 0 = Port operates at 10 Mb/s	R/W	1b
3	MAC Port Receive Flow Control Enable 1 = Enable receive flow control on this port 0 = Disable receive flow control on this port	R/W	Note 5-5
2:0	RESERVED	R/W	000b

Note 5-5 The default value of this field is determined by the **LED1_1** configuration strap value. Refer to [Section 3.2.1, "Configuration Straps," on page 16](#) for additional information.

KSZ9897S

5.2.4.2 XMI1 Port Control 1 Register

Address: 0xN301 Size: 8 bits
Port N: 6-7

Bits	Description	Type	Default
7	RESERVED	R/W	0b
6	Port Speed 1000 (Port 6 only) 1 = RGMII operates at 10 or 100 Mb/s, as determined by bit 4 in the XMI1 Port Control 0 Register 0 = RGMII operates at 1000 Mb/s	R/W	Port 7: 0 Port 6: Config. strap value from RXD6_0
5	RESERVED	R/W	0b
4	RGMII Ingress Internal Delay (RGMII_ID_ig) 1 = Minimum 1.5 ns delay is added to ingress RGMII clock 0 = No delay is added	R/W	0b
3	RGMII Egress Internal Delay (RGMII_ID_eg) 1 = Minimum 1.5 ns delay is added to egress RGMII clock 0 = No delay is added	R/W	1b
2	MII / RMII Modes (Port 6 only) For MII interface: 1 = The MII interface operates as a MAC device (receives clocks, etc.) 0 = The MII interface operates as a PHY device (drives clocks, etc.) For RMII interface: 1 = The 50 MHz RMII REFCLK is received at the RXC pin 0 = A 50 MHz RMII REFCLK is generated from the RXC pin	R/W	Port 7: 0 Port 6: Config. strap value from RXD6_1
1:0	Port Interface Type Select (Port 6 only) 00 = Interface is RGMII 01 = Interface is RMII 10 = Interface is MII 11 = Interface is MII	R/W	Port 7: 0 Port 6: Config. strap value from RXD6_[3:2]

5.2.5 PORT N: PORT SWITCH MAC CONTROL REGISTERS (0xN400 - 0xN4FF)

5.2.5.1 Port MAC Control 0 Register

Address: 0xN400 Size: 8 bits
Port N: 1-7

Bits	Description	Type	Default
7:4	RESERVED	RO	0x0
3	RESERVED	R/W	0b
2	RESERVED	RO	0b
1	Broadcast Storm Protection Enable 1 = Enable broadcast storm protection for ingress traffic 0 = Disable broadcast storm protection for ingress traffic	R/W	0b
0	Jumbo Packet Enable 1 = Accept packets sizes up to 9000 bytes payload (excludes header and CRC) 0 = Standard payload limit of 1500 bytes applies	R/W	0b

5.2.5.2 Port MAC Control 1 Register

Address: 0xN401 Size: 8 bits
Port N: 1-7

Bits	Description	Type	Default
7	RESERVED	R/W	0b
6	RESERVED	RO	0b
5:4	RESERVED	R/W	00b
3	Back pressure Enable Back pressure is used only for half duplex. Full duplex uses PAUSE frame flow control which is enabled separately. 1 = Enable port back pressure 0 = Disable port back pressure	R/W	0b
2:1	Reserved	R/W	00b
0	Pass All Frames Bad frames (CRC error, too large, too small) are normally dropped. This feature allows them to be forwarded for mirroring purposes only. This bit does not affect filtering of flow control frames. To disable filtering of flow control frames, refer to the Switch MAC Control 4 Register . 1 = Enable 0 = Disable	R/W	0b

KSZ9897S

5.2.5.3 Port Ingress Rate Limit Control Register

Address: 0xN403 Size: 8 bits
Port N: 1-7

Bits	Description	Type	Default
7	RESERVED	RO	0b
6	Port or Priority Based Ingress Rate Limiting 1 = Ingress rate limiting is port based 0 = Ingress rate limiting is priority based	R/W	0b
5	Ingress PPS Mode 1 = Ingress rate limiting is based on number of packets (PPS mode enabled) 0 = Ingress rate limiting is based on number of bits (PPS mode disabled)	R/W	0b
4	Ingress Rate Limit Flow Control Enable To use this feature, flow control must also be enabled for this port. Refer to the XMII Port Control 0 Register for non-PHY ports, and the PHY Auto-Negotiation Advertisement Register for PHY ports. 1 = Flow control is asserted if the port's receive rate is exceeded 0 = Flow control is not asserted based on ingress rate limits	R/W	0b
3:2	Ingress Limit Mode These bits determine what kind of frames are limited and counted against ingress rate limiting. 00 = Count and limit all frames 01 = Count and limit broadcast, multicast and flooded unicast frames only 10 = Count and limit broadcast and multicast frames only 11 = Count and limit broadcast frames only	R/W	00b
1	Count IFG Bytes 1 = Each frame's minimum inter-frame gap (IFG) bytes (12 per frame) are included in ingress rate limiting calculations 0 = IFG byte count is not included	R/W	0b
0	Count Preamble Bytes Not valid when PPS mode is enabled (bit 5) 1 = Each frame's preamble bytes (8 per frame) are included in ingress rate limiting calculations 0 = Preamble byte count is not included	R/W	0b

5.2.5.4 Port Priority 0 Ingress Limit Control Register

Address: 0xN410 Size: 8 bits
 Port N: 1-7

Bits	Description	Type	Default
7	Reserved	RO	0b
6:0	Ingress Data Rate Limit for Priority 0 Frames Reference Table 5-3 for code values. Note that the update will not take effect until the Port Priority 7 Ingress Limit Control Register is written.	R/W	0x00

TABLE 5-3: DATA RATE SELECTION TABLE FOR INGRESS AND EGRESS RATE LIMITING

Code	10Mbps		100Mbps		1000Mbps	
	PPS	BPS	PPS	BPS	PPS	BPS
7d'0	19.2k	10Mbps	192k	100Mbps	1.92M	1000Mbps
7d'1 – 7d'10	1.92k * code	1Mbps * code	1.92k * code	1Mbps * code	19.2k * code	1Mbps * code
7d'11 – 7d'100	–	10Mbps	1.92k * code	1Mbps * code	19.2k * code	10Mbps * code
7d'101	64	64kbps	64	640kbps	640	640kbps
7d'102	128	128kbps	128	1280kbps	1280	1280kbps
7d'103	256	192kbps	256	1920kbps	2560	1920kbps
7d'104	384	256kbps	384	256kbps	3840	2560kbps
7d'105	512	320kbps	512	320kbps	5120	3200kbps
7d'106	640	384kbps	640	384kbps	6400	3840kbps
7d'107	768	448kbps	768	448kbps	7680	4480kbps
7d'108	896	512kbps	896	512kbps	8960	5120kbps
7d'109	1024	576kbps	1024	576kbps	10,240	5760kbps
7d'110	1152	640kbps	1152	640kbps	11,520	6400kbps
7d'111	1280	704kbps	1280	704kbps	12,800	7040kbps
7d'112	1408	768kbps	1408	768kbps	14,080	7680kbps
7d'113	1536	832kbps	1536	832kbps	15,360	8320kbps
7d'114	1664	896kbps	1664	896kbps	16,640	8960kbps
7d'115	1792	960kbps	1792	960kbps	17,920	9600kbps

Note: PPS = Packets Per Second, BPS = Bits Per Second.

KSZ9897S

5.2.5.5 Port Priority 1 Ingress Limit Control Register

Address: 0xN411 Size: 8 bits
Port N: 1-7

Bits	Description	Type	Default
7	RESERVED	RO	0b
6:0	Ingress Data Rate Limit for Priority 1 Frames Note that the update will not take effect until the Port Priority 7 Ingress Limit Control Register is written.	R/W	0x00

5.2.5.6 Port Priority 2 Ingress Limit Control Register

Address: 0xN412 Size: 8 bits
Port N: 1-7

Bits	Description	Type	Default
7	RESERVED	RO	0b
6:0	Ingress Data Rate Limit for Priority 2 Frames Note that the update will not take effect until the Port Priority 7 Ingress Limit Control Register is written.	R/W	0x00

5.2.5.7 Port Priority 3 Ingress Limit Control Register

Address: 0xN413 Size: 8 bits
Port N: 1-7

Bits	Description	Type	Default
7	RESERVED	RO	0b
6:0	Ingress Data Rate Limit for Priority 3 Frames Note that the update will not take effect until the Port Priority 7 Ingress Limit Control Register is written.	R/W	0x00

5.2.5.8 Port Priority 4 Ingress Limit Control Register

Address: 0xN414 Size: 8 bits
Port N: 1-7

Bits	Description	Type	Default
7	RESERVED	RO	0b
6:0	Ingress Data Rate Limit for Priority 4 Frames Note that the update will not take effect until the Port Priority 7 Ingress Limit Control Register is written.	R/W	0x00

5.2.5.9 Port Priority 5 Ingress Limit Control Register

Address: 0xN415 Size: 8 bits
Port N: 1-7

Bits	Description	Type	Default
7	RESERVED	RO	0b
6:0	Ingress Data Rate Limit for Priority 5 Frames Note that the update will not take effect until the Port Priority 7 Ingress Limit Control Register is written.	R/W	0x00

5.2.5.10 Port Priority 6 Ingress Limit Control Register

Address: 0xN416 Size: 8 bits
Port N: 1-7

Bits	Description	Type	Default
7	RESERVED	RO	0b
6:0	Ingress Data Rate Limit for Priority 6 Frames Note that the update will not take effect until the Port Priority 7 Ingress Limit Control Register is written.	R/W	0x00

5.2.5.11 Port Priority 7 Ingress Limit Control Register

Address: 0xN417 Size: 8 bits
Port N: 1-7

Bits	Description	Type	Default
7	RESERVED	RO	0b
6:0	Ingress Data Rate Limit for Priority 7 Frames	R/W	0x00

KSZ9897S

5.2.5.12 Port Queue 0 Egress Limit Control Register

Address: 0xN420 Size: 8 bits
Port N: 1-7

Bits	Description	Type	Default
7	RESERVED	RO	0b
6:0	Egress Data Rate Limit for Queue 0 Frames When egress rate limiting is configured to “port-based” via bit 3 of the Switch MAC Control 5 Register , only this register is used for setting. The Port Queue 1-3 Egress Limit Control Registers are used only for queue-based rate limiting. Note that the update will not take effect until the Port Queue 3 Egress Limit Control Register is written.	R/W	0x00

5.2.5.13 Port Queue 1 Egress Limit Control Register

Address: 0xN421 Size: 8 bits
Port N: 1-7

Bits	Description	Type	Default
7	RESERVED	RO	0b
6:0	Egress Data Rate Limit for Queue 1 Frames Note that the update will not take effect until the Port Queue 3 Egress Limit Control Register is written.	R/W	0x00

5.2.5.14 Port Queue 2 Egress Limit Control Register

Address: 0xN422 Size: 8 bits
Port N: 1-7

Bits	Description	Type	Default
7	RESERVED	RO	0b
6:0	Egress Data Rate Limit for Queue 2 Frames Note that the update will not take effect until the Port Queue 3 Egress Limit Control Register is written.	R/W	0x00

5.2.5.15 Port Queue 3 Egress Limit Control Register

Address: 0xN423 Size: 8 bits
Port N: 1-7

Bits	Description	Type	Default
7	RESERVED	RO	0b
6:0	Egress Data Rate Limit for Queue 3 Frames	R/W	0x00

5.2.6 PORT N: PORT SWITCH MIB COUNTERS REGISTERS (0xN500 - 0xN5FF)

Thirty MIB counters are provided for each port. They are accessed via the following two indirect registers. MIB Counters are read-clear. Refer to [Section 5.3.6, "Management Information Base \(MIB\) Counters"](#) for additional details.

Note: The [Switch MIB Control Register](#) contains two additional bits for global control of MIB counters.

5.2.6.1 Port MIB Control and Status Register

Address: 0xN500 - 0xN503 Size: 32 bits
Port N: 1-7

Bits	Description	Type	Default
31	MIB Counter Overflow Indication 1 = Counter has overflowed 0 = Counter has not overflowed	RO	0b
30:26	RESERVED	RO	0x00
25	MIB Read Enable / Count Valid Set this bit to '1' to initiate a counter read. When the counter read is complete and the count value is available in the MIB Counter Value, this bit will automatically clear to '0'.	R/W SC	0b
24	MIB Flush and Freeze Enable Refer to the Switch MIB Control Register for the associated global MIB control bits for flushing and freezing port counters. 1 = Enable MIB counter flush and freeze function for this port 0 = Disable MIB counter flush and freeze function for this port	R/W	0b
23:16	MIB Index	R/W	0x00
15:4	RESERVED	RO	0x000
3:0	MIB Counter Value [35:32]	RO	0x0

KSZ9897S

5.2.6.2 Port MIB Data Register

Address: 0xN504 - 0xN507 Size: 32 bits
Port N: 1-7

Bits	Description	Type	Default
31:0	MIB Counter Value [31:0]	RO	0x0000

5.2.7 PORT N: PORT SWITCH ACL CONTROL REGISTERS (0xN600 - 0xN6FF)

An Access Control List (ACL) Table is provided for each port. It is accessed via the following two indirect registers. Refer to [Section 5.3.5, "Access Control List \(ACL\) Table"](#) for additional details.

5.2.7.1 Port ACL Access 0 Register

Address: 0xN600 Size: 8 bits
Port N: 1-7

Bits	Description	Type	Default
7:4	RESERVED	RO	0x0
3:0	First Rule Number (FRN)	R/W	0x0

5.2.7.2 Port ACL Access 1 Register

Address: 0xN601 Size: 8 bits
Port N: 1-7

Bits	Description	Type	Default
7:6	RESERVED	R/W	00b
5:4	Mode 00 = No action taken 01 = Layer 2 MAC header filtering 10 = Layer 3 IP address filtering 11 = Layer 4 TCP port number / IP protocol filtering	R/W	00b
3:2	Enable	R/W	00b
1	Source / Destination 1 = Source 0 = Destination	R/W	0b
0	Compare Equal 1 = Match if the compared values are equal 0 = Match if the compared values are not equal	R/W	0b

5.2.7.3 Port ACL Access 2 Register

Address: 0xN602 Size: 8 bits
Port N: 1-7

Bits	Description	Type	Default
7:0	MAC Address [47:40]	R/W	0x00

5.2.7.4 Port ACL Access 3 Register

Address: 0xN603 Size: 8 bits
Port N: 1-7

Bits	Description	Type	Default
7:0	MAC Address [39:32]	R/W	0x00

5.2.7.5 Port ACL Access 4 Register

Address: 0xN604 Size: 8 bits
Port N: 1-7

Bits	Description	Type	Default
7:0	MAC Address [31:24]	R/W	0x00

5.2.7.6 Port ACL Access 5 Register

Address: 0xN605 Size: 8 bits
Port N: 1-7

Bits	Description	Type	Default
7:0	MAC Address [23:16]	R/W	0x00

5.2.7.7 Port ACL Access 6 Register

Address: 0xN606 Size: 8 bits
Port N: 1-7

Bits	Description	Type	Default
7:0	MAC Address [15:8]	R/W	0x00

KSZ9897S

5.2.7.8 Port ACL Access 7 Register

Address: 0xN607 Size: 8 bits
Port N: 1-7

Bits	Description	Type	Default
7:0	MAC Address [7:0]	R/W	0x00

5.2.7.9 Port ACL Access 8 Register

Address: 0xN608 Size: 8 bits
Port N: 1-7

Bits	Description	Type	Default
7:0	EtherType [15:8]	R/W	0x00

5.2.7.10 Port ACL Access 9 Register

Address: 0xN609 Size: 8 bits
Port N: 1-7

Bits	Description	Type	Default
7:0	EtherType [7:0]	R/W	0x00

5.2.7.11 Port ACL Access A Register

Address: 0xN60A Size: 8 bits
Port N: 1-7

Bits	Description	Type	Default
7:6	Priority Mode (PM)	R/W	00b
5:3	Priority	R/W	00_0b
2	Remark Priority Enable (RPE)	R/W	0b
1:0	Remark Priority [2:1] The two MSB of the 3-bit Remark Priority field. Refer to the Port ACL Access B Register for the LSB.	R/W	00b

5.2.7.12 Port ACL Access B Register

Address: 0xN60B Size: 8 bits
Port N: 1-7

Bits	Description	Type	Default
7	Remark Priority [0] The LSB of the 3-bit Remark Priority field. Refer to the Port ACL Access B Register for the MSB.	R/W	0b
6:5	Map Mode (MM)	R/W	00b
4:0	RESERVED	R/W	0b

5.2.7.13 Port ACL Access C Register

Address: 0xN60C Size: 8 bits
Port N: 1-7

Bits	Description	Type	Default
7:0	RESERVED	R/W	0x00

5.2.7.14 Port ACL Access D Register

Address: 0xN60D Size: 8 bits
Port N: 1-7

Bits	Description	Type	Default
7	RESERVED	R/W	0b
6:0	Port Forward Map Each bit corresponds to a forwarding port. Bit 0 corresponds to port 1, Bit 1 corresponds to port 2, etc. 1 = enable forwarding to that port 0 = do not forward to that port	R/W	000_0000b

5.2.7.15 Port ACL Access E Register

Address: 0xN60E Size: 8 bits
Port N: 1-7

Bits	Description	Type	Default
7:0	Ruleset [15:8]	R/W	0x00

KSZ9897S

5.2.7.16 Port ACL Access F Register

Address: 0xN60F Size: 8 bits
Port N: 1-7

Bits	Description	Type	Default
7:0	Ruleset [7:0]	R/W	0x00

5.2.7.17 Port ACL Byte Enable MSB Register

Address: 0xN610 Size: 8 bits
Port N: 1-7

Bits	Description	Type	Default
7:0	Byte Enable [15:8] Each bit enables accessing one of the ACL bytes when a read or write is initiated by writing to the Port ACL Byte Enable LSB Register . Bit 0 applies to the Port ACL Access 7 Register Bit 1 applies to the Port ACL Access 6 Register , etc. Bit 7 applies to the Port ACL Access 0 Register 1 = Byte is selected for read/write 0 = Byte is not selected	R/W	0x00

5.2.7.18 Port ACL Byte Enable LSB Register

Address: 0xN611 Size: 8 bits
Port N: 1-7

Bits	Description	Type	Default
7:0	Byte Enable [7:0] Each bit enables accessing one of the ACL bytes when a read or write is initiated by writing to the Port ACL Byte Enable LSB Register . Bit 0 applies to the Port ACL Access F Register Bit 1 applies to the Port ACL Access E Register , etc. Bit 7 applies to the Port ACL Access 8 Register 1 = Byte is selected for read/write 0 = Byte is not selected	R/W	0x00

5.2.7.19 Port ACL Access Control 0 Register

Address: 0xN612 Size: 8 bits
Port N: 1-7

Bits	Description	Type	Default
7	RESERVED	R/O	0b
6	Write Status 1 = Write operation is complete 0 = Write operation is not complete	RO	1b
5	Read Status 1 = Read operation is complete 0 = Read operation is not complete; continue polling until this bit is set before reading results registers	RO	1b
4	Write / Read 1 = Write 0 = Read	R/W	0b
3:0	ACL Index	R/W	0x0

KSZ9897S

5.2.8 PORT N: PORT SWITCH INGRESS CONTROL REGISTERS (0xN800 - 0xN8FF)

5.2.8.1 Port Mirroring Control Register

Address: 0xN800 Size: 8 bits
Port N: 1-7

This register contains the port controls for port mirroring. The [Global Port Mirroring and Snooping Control Register](#) must also be properly configured.

Bits	Description	Type	Default
7	RESERVED	RO	0b
6	Receive Sniff 1 = All packets received on this port are designated as “monitored packets” and will be forwarded to the designated “sniffer port”. 0 = No receive monitoring.	R/W	0b
5	Transmit Sniff 1 = All packets transmitted on this port are designated as “monitored packets” and will be forwarded to the designated “sniffer port”. 0 = No transmit monitoring.	R/W	0b
4:2	RESERVED	RO	0_00b
1	Sniffer Port 1 = This port is designated as the sniffer port and will transmit monitored packets. 0 = Not a sniffer port. Normal operation.	R/W	0b
0	RESERVED	RO	0b

5.2.8.2 Port Priority Control Register

Address: 0xN801 Size: 8 bits
Port N: 1-7

To achieve the desired functionality, do not set more than one bit at a time in this register.

Bits	Description	Type	Default
7	Highest Priority 1 = Highest priority selected 0 = Highest priority not selected	R/W	0b
6	OR’ed Priority 1 = All available priority OR’ed 0 = All available priority not OR’ed	R/W	0b
5	RESERVED	RO	0b
4	MAC Address Priority Classification 1 = Enable MAC address priority classification for ingress packets on port 0 = Disable MAC address classification	R/W	0b

Bits	Description	Type	Default
3	VLAN Priority Classification 1 = Enable VLAN priority classification for ingress packets on port 0 = Disabled VLAN classification	R/W	0b
2	802.1p Priority Classification 1 = Enable 802.1p priority classification for ingress packets on port 0 = Disable 802.1p priority classification	R/W	0b
1	Diffserv Priority Classification 1 = Enable Diffserv priority classification for ingress packets on port 0 = Disable Diffserv priority classification	R/W	0b
0	ACL Priority Classification 1 = Enable ACL priority classification for ingress packets on port 0 = Disable ACL priority classification	R/W	0b

5.2.8.3 Port Ingress MAC Control Register

Address: 0xN802 Size: 8 bits
Port N: 1-7

Bits	Description	Type	Default
7	User Priority Ceiling 1 = If a packet's "user priority field" is greater than the "user priority field" in the port default tag register, replace the packet's user priority field with the user priority field in the port default tag from the Port Default Tag 0 Register . 0 = Do not replace the user priority field at this port.	R/W	0b
6:5	RESERVED	RO	0b
4	Discard Untagged Packets This bit should be left as 0 for the host port. 1 = Any ingress packet at this port without an IEEE 802.1Q tag is discarded. 0 = Do not discard.	R/W	0b
3	Discard Tagged Packets 1 = Any ingress packet at this port with an IEEE 802.1Q tag is discarded. 0 = Do not discard.	R/W	0b
2:0	Port Default Priority Classification If Diffserv classification, 802.1p classification and VLAN classification are not enabled or fail to classify, ingress packets at this port will be classified with the priority specified here. Possible values are 0 to 7.	R/W	000b

KSZ9897S

5.2.8.4 Port Authentication Control Register

Address: 0xN803 Size: 8 bits
Port N: 1-7

Bits	Description	Type	Default
7:3	RESERVED	RO	0000_0b
2	Access Control List (ACL) Enable 1 = enable 0 = enable	R/O	0b
1:0	Authentication Mode 00 = Pass Mode. Authentication is disabled. When ACL is enabled, all traffic that misses the ACL rules is forwarded; otherwise ACL actions apply. 01 = Block Mode. Authentication is enabled. When ACL is enabled, all traffic that misses the ACL rules is blocked; otherwise ACL actions apply. 10 = Trap Mode. Authentication is enabled. All traffic is forwarded to the host port. When ACL is enabled, all traffic that misses the ACL rules is blocked; otherwise ACL actions apply. 11 = Reserved	R/W	00b

5.2.8.5 Port Pointer Register

Address: 0xN804 - 0xN807 Size: 32 bits
Port N: 1-7

Bits	Description	Type	Default
31:19	RESERVED	RO	0x0000
18:16	Port Index Used to point to the indirect mapping locations for the 7 ports	R/W	000b
15:2	RESERVED	RO	0x0000
1:0	Queue Pointer Used to point to the indirect mapping locations for the 4 queues	R/W	00b

5.2.8.6 Port Priority to Queue Mapping Register

Address: 0xN808 - 0xN80B Size: 32 bits
Port N: 1-7

Bits	Description	Type	Default
31:28	Regenerated priority (queue) value for priority 7. The 2 most significant bits are reserved.	R/W	xx11b
27:24	Regenerated priority (queue) value for priority 6. The 2 most significant bits are reserved.	R/W	xx11b
23:20	Regenerated priority (queue) value for priority 5. The 2 most significant bits are reserved.	R/W	xx10b
19:16	Regenerated priority (queue) value for priority 4. The 2 most significant bits are reserved.	R/W	xx10b
15:12	Regenerated priority (queue) value for priority 3. The 2 most significant bits are reserved.	R/W	xx01b
11:8	Regenerated priority (queue) value for priority 2. The 2 most significant bits are reserved.	R/W	xx01b
7:4	Regenerated priority (queue) value for priority 1. The 2 most significant bits are reserved.	R/W	xx00b
3:0	Regenerated priority (queue) value for priority 0. The 2 most significant bits are reserved.	R/W	xx00b

KSZ9897S

5.2.8.7 Port Police Control Register

Address: 0xN80C - 0xN80F Size: 32 bits
Port N: 1-7

Bits	Description	Type	Default
31:12	RESERVED	RO	0x00000
11	Dropped Color 1 = Color packet PMON holds dropped packets of that color 0 = Color packet PMON holds all packets of that color	R/W	0b
10	Drop All 1 = All packets are dropped while max threshold is exceeded in PM WRED 0 = Drop packet based on WRED_PM_PROB_MULTIPLIER	R/W	0b
9:8	Packet Type PMON packet type to be read for the connection from Queue Pointer of the port pointed by Port Index 11 = WRED_PMON holds the number of RED packets while read 10 = WRED_PMON holds the number of YELLOW packets while read 01 = WRED_PMON holds the number of GREEN packets while read 00 = WRED_PMON holds the number of dropped packets while read	R/W	00b
7	Port Based Policing 1 = Policing is per-port per-queue based 0 = Policing is per-queue based only, Port Index = 0 is used to set aggregated CIR, PIR for each queue	R/W	0b
6:5	NONDSCP_COLOR Color of non-IP frame for color aware	R/W	01b
4	Color Mark Enable 1 = DSCP color mark enable 0 = DSCP color mark disable	R/W	0b
3	Color Remap Enable 1 = DSCP color remap enable for color aware 0 = DSCP color remap disable, use DSCP color	R/W	0b
2	Drop SRP 1 = Allow drop SRP packets while WRED is enabled 0 = Don't allow drop SRP packet while WRED is enabled	R/W	0b
1	Police Mode This bit sets the policing modes for the queue if policing is enabled 1 = Color blind 0 = Color aware mode	R/W	0b
0	Police Enable 1 = Enable policing and WRED 0 = Disable policing and WRED	R/W	0b

5.2.8.8 Port Police Queue Rate Register

Address: 0xN820 - 0xN823 Size: 32 bits
Port N: 1-7

Bits	Description	Type	Default
31:16	Committed Information Rate Specifies the committed information rate for the connection from the Queue Pointer of the port pointed by the Port index.	R/W	0x1000
15:0	Peak Information Rate Specifies the queue's peak information rate for the connection from the Queue Pointer of the port pointed by the Port index.	R/W	0x2000

5.2.8.9 Port Police Queue Burst Size Register

Address: 0xN824 - 0xN827 Size: 32 bits
Port N: 1-7

Bits	Description	Type	Default
31:16	Committed Burst Size Specifies the queue's committed burst size in bytes that is supported for the connection from the Queue Pointer of the port pointed by the Port index.	R/W	0x1000
15:0	Peak Information Rate Specifies the queue's peak burst size in bytes that is supported for the connection from the Queue Pointer of the port pointed by the Port index.	R/W	0x3000

5.2.8.10 Port WRED Packet Memory Control Register 0

Address: 0xN830 - 0xN833 Size: 32 bits
Port N: 1-7

Bits	Description	Type	Default
31:27	RESERVED	RO	00000b
26:16	WRED Packet Memory Maximum Threshold	R/W	0x400
15:11	RESERVED	RO	00000b
10:0	WRED Packet Memory Minimum Threshold	R/W	0x080

KSZ9897S

5.2.8.11 Port WRED Packet Memory Control Register 1

Address: 0xN834 - 0xN837 Size: 32 bits
Port N: 1-7

Bits	Description	Type	Default
31:27	RESERVED	RO	00000b
26:16	WRED Packet Memory Probability Multiplier	R/W	0x020
15:11	RESERVED	RO	00000b
10:0	WRED Packet Memory Average Queue Size	R	-

5.2.8.12 Port WRED Queue Control Register 0

Address: 0xN840 - 0xN843 Size: 32 bits
Port N: 1-7

Bits	Description	Type	Default
31:27	RESERVED	RO	00000b
26:16	WRED Maximum Queue Threshold WRED maximum threshold for the connection from the Queue Pointer of the port pointed to by the Port index.	R/W	0x080
15:11	RESERVED	RO	00000b
10:0	WRED Minimum Queue Threshold WRED minimum threshold for the connection from the Queue Pointer of the port pointed to by the Port index.	R/W	0x009

5.2.8.13 Port WRED Queue Control Register 1

Address: 0xN844 - 0xN847 Size: 32 bits
Port N: 1-7

Bits	Description	Type	Default
31:27	RESERVED	RO	00000b
26:16	WRED Queue Probability Multiplier Probability multiplier for the connection from the Queue Pointer of the port pointed to by the Port index.	R/W	0x010
15:11	RESERVED	RO	00000b
10:0	WRED Packet Memory Average Queue Size Average queue size for the connection from the Queue Pointer of the port pointed to by the Port index.	R	-

5.2.8.14 Port WRED Queue Performance Monitor Control Register

Address: 0xN848 - 0xN84B Size: 32 bits
Port N: 1-7

Bits	Description	Type	Default
31	Random Drop Enable 1 = Random Drop enabled 0 = Random Drop disabled	R/W	0b
30	PMON Flush 1 = PMON counters are flushed. This is a low to high edge triggered clear. 0 = No activity	R/W	0x010
29	GYR Drop Disable 1 = Drop GREEN/YELLOW/RED is disabled 0 = Drop GREEN/YELLOW/RED is enabled	R/W	0b
28	YR Drop Disable 1 = Drop YELLOW/RED is disabled 0 = Drop YELLOW/RED is enabled	R/W	0b
27	R Drop Disable 1 = Drop RED is disabled 0 = Drop RED is enabled	R/W	0b
26	Drop All 1 = Drop all packets wile the max threshold is exceeded 0 = Drop based on WRED Queue Probability Multiplier	R/W	0b
25:24	RESERVED	RO	00b
23:0	Packet Event Counter Packer event count for the connection from the Queue Pointer of the port pointed to by the Port index.	R	0x00000

KSZ9897S

5.2.9 PORT N: PORT SWITCH EGRESS CONTROL REGISTERS (0xN900 - 0xN9FF)

5.2.9.1 Port Transmit Queue Index Register

Address: 0xN900 - 0xN903 Size: 32 bits
Port N: 1-7

This register holds an index value that is used when accessing several registers that follow. This register may be accessed as an 8-bit register, with bits [7:0] located at address 0xN903.

Bits	Description	Type	Default
31:2	RESERVED	RO	0x00000000
1:0	Queue Index Points to the queue number for subsequent queue configuration registers.	R/W	00

5.2.9.2 Port Transmit Queue PVID Register

Address: 0xN904 - 0x907 Size: 32 bits
Port N: 1-7

This register may be accessed as an 8-bit register, with bits [7:0] located at address 0xN903.

Bits	Description	Type	Default
31:1	RESERVED	RO	0x00000000
0	Port VID Replacement 1 = For any egress packet with a non-zero VLAN ID, replace the VID with the port default VID from the Port Default Tag 0 Register and Port Default Tag 1 Register . If double tagging is enabled, it is the ISP tag ID that will be replaced. 0 = Do not replace the VID.	R/W	0b

5.2.9.3 Port Transmit Queue Control 0 Register

Address: 0xN914 Size: 8 bits
Port N: 1-7

This register is indexed. Settings are applied on a per-queue and per-port basis. Specify the target queue number in the [Port Transmit Queue Index Register](#) before accessing this register.

Bits	Description	Type	Default
7:6	Scheduler Mode Determines the egress scheduling policy when 2 or 4 transmit queues are enabled. 00 = Strict Priority. All packets in queue 3 are transmitted before any packets from any lower number queue will be transmitted. All packets in queue 2 are transmitted before any packets from any lower number queue, etc. 10 = Weighted Round Robin (WRR). As determined by the weight values in the (queue indexed) Port Transmit Queue Control 1 Register , a limited number of packets are transmitted from a queue before the next queue is serviced. All queues are serviced in turn. 01 and 11 = RESERVED	R/W	10b
5:0	RESERVED	RO	000000b

5.2.9.4 Port Transmit Queue Control 1 Register

Address: 0xN915 Size: 8 bits
Port N: 1-7

This register is indexed. Settings are applied on a per-queue and per-port basis. Specify the target queue number in the [Port Transmit Queue Index Register](#) before accessing this register.

Bits	Description	Type	Default
7	RESERVED	RO	0b
6:0	Queue Weight for WRR Scheduling During weighted round robin (WRR) scheduling, this value specifies the number of packets that may be transmitted from the particular queue before the next queue is serviced. These values are not relevant when the port is configured for a single egress queue. Do not assign 0 to any queue. Example values for a 4-queue configuration are 8 (for queue 3), 4 (for queue 2), 2 (for queue1) and 1 (for queue 0).	R/W	0000001

KSZ9897S

5.2.10 PORT N: PORT SWITCH QUEUE MANAGEMENT CONTROL REGISTERS (0xNA00 - 0xNAFF)

5.2.10.1 Port Control 0 Register

Address: 0xNA00 - 0xNA03 Size: 32 bits
Port N: 1-7

Bits	Description	Type	Default
32:2	RESERVED	RO	0x0000000
1:0	Drop Mode 00 = No drop, issue flow control to this port when destination is in congestion state. 01 = Drop packets with priority 0 sourced from this port when destination is in congestion state and disable the flow control to this port. 10 = Drop packets with priority 0, 1 sourced from this port when destination is in congestion state and disable the flow control to this port. 11 = Drop packets with priority 0, 1, 2 sourced from this port when destination is in congestion state and disable the flow control to this port.	R/W	00b

5.2.10.2 Port Control 1 Register

Address: 0xNA04 - 0xNA07 Size: 32 bits
Port N: 1-7

Bits	Description	Type	Default
31:7	RESERVED	RO	0x0000000
6:0	Port VLAN Membership Each bit corresponds to a device port. This feature does not utilize VLAN tags or the VLAN Table, and is unrelated to tag-based VLAN functions. Also refer to bit 1 in the Queue Management Control 0 Register . Bit 0 is for port 1 Bit 1 is for port 2, etc. 1 = Frames may be forwarded to the corresponding port 0 = Frames are blocked from being forwarded to corresponding port	R/W	0x7F

5.2.11 PORT N: PORT SWITCH ADDRESS LOOKUP CONTROL REGISTERS (0xNB00 - 0xNBFF)

5.2.11.1 Port Control 2 Register

Address: 0xNB00 Size: 8 bits
 Port N: 1-7

Bits	Description	Type	Default
7	Null VID Lookup Enable How to handle tagged packets with VID = 0. 1 = Non-standard operation. VLAN Table lookup using VID = 0. 0 = Standard operation. VLAN Table lookup using the port default VID (Port Default Tag 0 Register and Port Default Tag 1 Register)	R/W	0b
6	Ingress VLAN Filtering 1 = Discard packets whose VID port membership in the VLAN Table does not include the ingress port 0 = No ingress filtering	R/W	0b
5	Discard Non-PVID Packet 1 = Discard packets whose VID does not match the ingress port default VID 0 = Do not compare VID to the port default VID	R/W	0b
4	MAC Based 802.1X Enable 1 = Enable MAC based 802.1X authentication in lookup engine 0 = Only use ACL (if enabled) to perform MAC based authentication	R/W	0b
3	Self-Address Filtering – Port Enable The source address of received packets is compared to the MAC address in the Switch MAC Address 0 Register through Switch MAC Address 5 Register , and the packet is dropped if there is a match. Both this port enable bit and the global enable bit in the Switch Lookup Engine Control 1 Register must be set to enable self-address filtering. 1 = Enable self-address filtering for this port. 0 = Disable self-address filtering for this port.	R/W	0b
2	RESERVED	RO	0b
1	RESERVED	R/W	0b
0	RESERVED	RO	0b

KSZ9897S

5.2.11.2 Port MSTP Pointer Register

Address: 0xNB01 Size: 8 bits
Port N: 1-7

Bits	Description	Type	Default
7:3	RESERVED	R/W	0000_0b
2:0	MSTP Pointer Points to one of the 8 MSTPs. It is used as an index when reading or writing the Port MSTP State Register .	R/W	000b

5.2.11.3 Port MSTP State Register

Address: 0xNB04 Size: 8 bits
Port N: 1-7

There are eight MSTPs, and the MSTP Pointer in the [Port MSTP Pointer Register](#) is used as an index to select a particular MSTP when reading or writing this register.

Bits	Description	Type	Default
7:3	RESERVED	RO	0000_0b
2	Port Transmit Enable 1 = Enable packet transmission on the port 0 = Disable packet transmission on the port	R/W	1b
1	Port Receive Enable 1 = Enable packet reception on the port 0 = Disable packet reception on the port	R/W	1b
0	Port Learning Disable 1 = Disable switch address learning on the port 0 = Enable switch address learning on the port	R/W	0b

5.3 Tables and MIB Counters (Access)

Indirect address and data registers are used to access the various tables and counters:

- [Address Lookup \(ALU\) Table](#)
- [Static Address Table](#)
- [Reserved Multicast Address Table](#)
- [VLAN Table](#)
- [Access Control List \(ACL\) Table](#)
- [Management Information Base \(MIB\) Counters](#)

5.3.1 ADDRESS LOOKUP (ALU) TABLE

The Address Lookup Table is the largest of three tables used for MAC address lookup. It supports both dynamic and static MAC address entries. In response to a destination address (DA) lookup, all tables are searched to make a packet forwarding decision. In response to a source address (SA) lookup, only this table is searched for aging, migration and learning of the dynamic entries.

It is suggested that static address entries be programmed to the Static Address Table. When that table is full, additional static address entries may be programmed into this table. Static entries will not be aged out.

A static DA lookup result (in either this table or the [Static Address Table](#)) takes precedence over the dynamic DA lookup result.

This table is a 4-way associative memory, with 1K buckets, for a total of 4K entries. In normal operation, the MAC address (and optionally the FID) are hashed to generate a 10-bit index. The 10-bit index specifies a bucket of up to 4 entries, but the entries within each bucket are not individually addressable. A new entry can be added to a bucket if the bucket contains 3 or fewer valid entries. Once a bucket is full with 4 valid entries, any new entry will overwrite the least-recently-used dynamic entry.

If a bucket contains 2 or 3 static entries, adding an additional static entry to that bucket will generate an Almost Full interrupt. (Refer to the [Address Lookup Table Interrupt Register](#) and [Global Interrupt Status Register](#)). Once the interrupt is generated, the 12-bit absolute address of the new static entry will be available for reading in the [Address Lookup Table Entry Index 0 Register](#) bits [11:0].

If a bucket is full with 4 static entries, attempting to write an additional static entry will fail and will result in a Write Fail Interrupt. Once the interrupt is generated, the 10-bit index of the full bucket will be available for reading in the [Address Lookup Table Entry Index 0 Register](#) bits [9:0].

A bucket with 4 static entries will also block any dynamic entries from being learned. Such a failure will generate a Learn Fail Interrupt. Once the interrupt is generated, the 10-bit index of the full bucket will be available for reading in the [Address Lookup Table Entry Index 1 Register](#) bits [9:0].

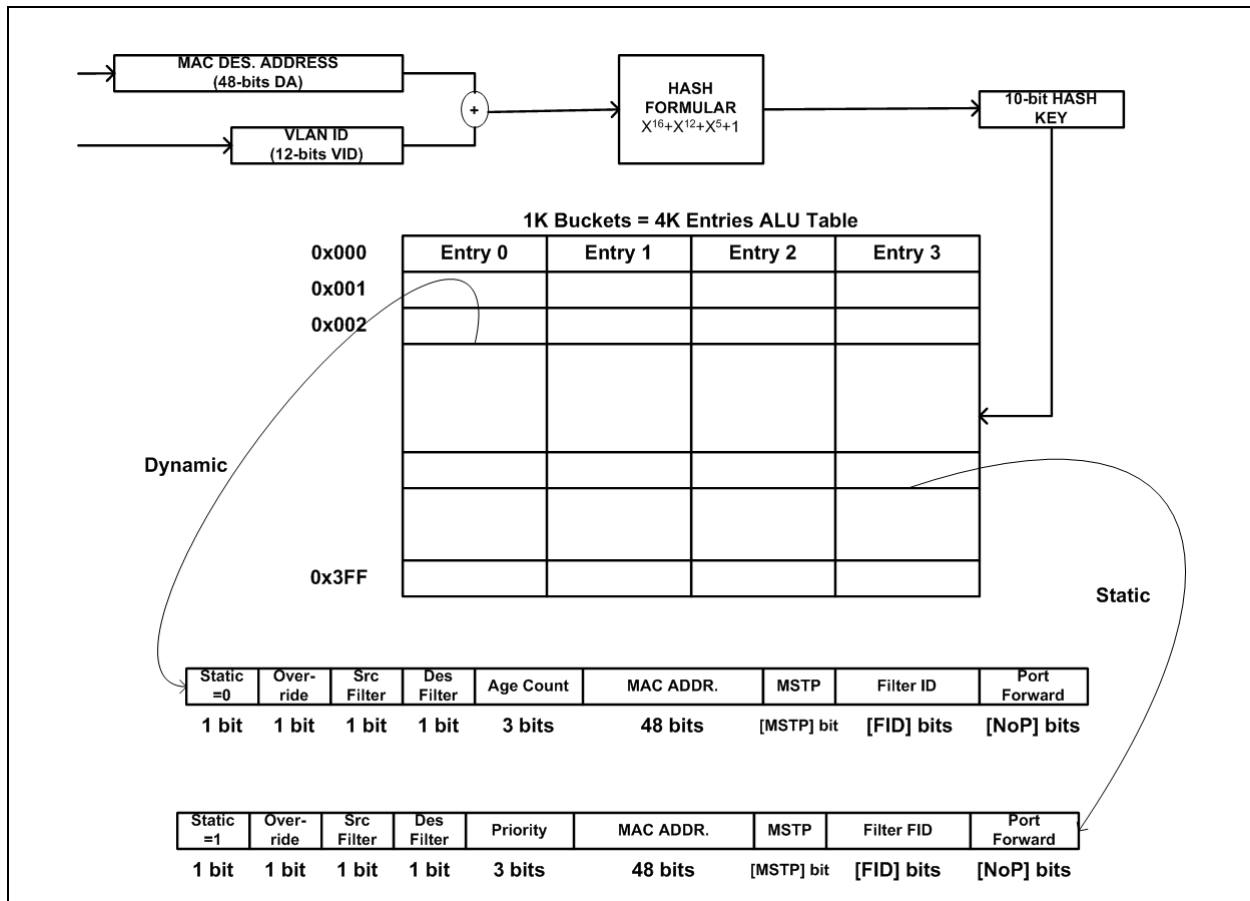
This table is accessed indirectly via the ALU Table registers:

- [ALU Table Index 0 Register](#)
- [ALU Table Index 1 Register](#)
- [ALU Table Access Control Register](#)
- [ALU Table Entry 1 Register](#)
- [ALU Table Entry 2 Register](#)
- [ALU Table Entry 3 Register](#)
- [ALU Table Entry 4 Register](#)

All static and dynamic entries may be read, but only static entries may be written. Because most of the table entries are created automatically by hardware address learning, and because the table is 4-way associative, three different methods are available for accessing the memory:

1. Lookup by MAC address. This utilizes the same hash tag lookup circuitry that is used for ingress packet forwarding lookup. The hash tag algorithm is specified by the Hash Option bits in the [Switch Lookup Engine Control 0 Register](#). This is normally how static entries should be written (Read or write).
2. Direct addressing (Read or write).
3. Sequential search, returning all valid entries (Read only).

FIGURE 5-3: ADDRESS LOOKUP TABLE CONFIGURATION



5.3.1.1 Address Lookup Table Read Operation

1. Write the index to the [ALU Table Index 0 Register](#) and [ALU Table Index 1 Register](#).
 - a) A MAC address is used for the hashing indexing function, which is the normal access mechanism for this table.
 - b) A FID is also required if VLAN is enabled.
 - c) If directly addressing the table, a 12-bit index is written to bits [11:0] of the MAC address field.
2. Write to the [ALU Table Access Control Register](#).
 - a) Set the ACTION field to 10 to indicate a read operation.
 - b) Select the addressing method via the DIRECT bit.
 - c) Set the START_FINISH bit to initiate the operation.
3. Read / poll the [ALU Table Access Control Register](#).
 - a) The START_FINISH bit transitions to 0 to indicate that the operation is complete.
 - b) Once START_FINISH is 0, the VALID bit indicates whether or not a valid entry was found. If VALID is false, there is no need to proceed to step 4.
 - c) The VALID_ENTRY_OR_SEARCH_END bit is an aggregate of the START_FINISH bit and the VALID bit. It is intended for use when accessing registers by in-band management (IBA), where polling multiple bits is less practical.
4. Read the contents of the returned table entry from the [ALU Table Entry 1 Register](#), [ALU Table Entry 2 Register](#), [ALU Table Entry 3 Register](#), and [ALU Table Entry 4 Register](#). If no VALID entry is returned, these registers will contain all zeros.

5.3.1.2 Address Lookup Table Search Operation

The second method to access the Address Lookup Table is through the search operation. The entire table is searched sequentially, revealing each valid entry. Invalid address entries are skipped, providing an efficient way to search the entire table. Setting the START_FINISH bit in the [ALU Table Access Control Register](#) begins the search from the top of the table. This bit is cleared when the search is complete. During the table search, the VALID bit in the [ALU Table Access Control Register](#) is cleared when the search starts. The VALID bit indicates when a found valid entry is available in the ALU Table Entry registers (0x0420 - 0x042F). After reading the last ALU Table Entry register ([ALU Table Entry 4 Register](#)), the search process automatically continues to seek the next valid entry in the address table. The START_FINISH bit remains set until all the valid entries in the table have been returned. The search can be stopped any time by setting the [ALU Table Access Control Register](#) START_FINISH bit to 0.

1. Write to the [ALU Table Access Control Register](#).
 - a) Set the ACTION field to 11 to indicate a search operation.
 - b) Set the START_FINISH bit to initiate the operation.
2. Poll the VALID bit until it is set.
 - a) If register access is by in-band management (IBA) rather than SPI or I²C, poll VALID_ENTRY_OR_SEARCH_END instead. This bit goes high to indicate either a new valid entry is returned or the search is complete.
3. Read the entry from the [ALU Table Entry 1 Register](#), [ALU Table Entry 2 Register](#), [ALU Table Entry 3 Register](#), and [ALU Table Entry 4 Register](#), in that order.
 - a) If the search has ended and there are no more valid entries to read, these registers will return all zeros. In this case, go to step 5.
4. If START_FINISH = 0, go to step 5; else go to step 2.
5. Read VALID_COUNT to verify the number of valid entries.

5.3.1.3 Address Lookup Table Write Operation

1. Perform a read operation to get the contents of the current entry. The values are kept in the [ALU Table Entry 1 Register](#), [ALU Table Entry 2 Register](#), [ALU Table Entry 3 Register](#), and [ALU Table Entry 4 Register](#).
2. Modify the correct entry as necessary. Set the STATIC bit so that the entry is not aged out.
3. Write to the [ALU Table Access Control Register](#).
 - a) Set the ACTION field to 01 to indicate a write operation.
 - b) Select the addressing method via the DIRECT bit.
 - c) Set the START_FINISH bit to initiate the operation.

KSZ9897S

5.3.1.4 ALU Table Entry 1 Register

Address: 0x0420 - 0x0423 Size: 32 bits

Bits	Description	Type	Default
31	STATIC 1 = Entry is static and updated by a host processor; will not be aged out 0 = Entry is dynamically learned and aged	R/W	0b
30	SRC FILTER 1 = Drop packet if source address match during source learning 0 = Don't drop if source address match	R/W	0b
29	DES FILTER 1 = Drop packet if destination address match during lookup 0 = Don't drop if destination address match	R/W	0b
28:26	PRIORITY (for static entries) AGE COUNT (for dynamic entries) >0 = Entry has been accessed or learned since last aging process. A default value is reloaded every time the entry is learned or accessed. It is decremented during aging process. 0 = Entry has not been accessed or learned since last aging process. Entry is not valid if it's not static.	R/W	0_00b
25:3	RESERVED	RO	0x000000
2:0	MSTP Multiple Spanning Tree Protocol group ID for matching	R/W	000b

5.3.1.5 ALU Table Entry 2 Register

Address: 0x0424 - 0x0427 Size: 32 bits

Bits	Description	Type	Default
31	OVERRIDE 1 = Enable overriding of port state 0 = Do not enable	R/W	0b
30:7	RESERVED	RO	0x000000
6:0	PORT FORWARD Each bit corresponds to a device port. Bit 0 is for port 1 Bit 1 is for port 2, etc. 1 = Forward to the corresponding port 0 = Do not forward to the corresponding port	R/W	0x00

5.3.1.6 ALU Table Entry 3 Register

Address: 0x0428 - 0x042B Size: 32 bits

Bits	Description	Type	Default
31:23	RESERVED	RO	0x000
22:16	FID VLAN group ID for matching	R/W	000_0000
15:0	MAC Address [47:32]	R/W	0x0000

5.3.1.7 ALU Table Entry 4 Register

Address: 0x042C - 0x042F Size: 32 bits

Bits	Description	Type	Default
31:0	MAC Address [31:0]	R/W	0x00000000

5.3.2 STATIC ADDRESS TABLE

The Static Address Table is one of three tables used for MAC address lookup. It can hold up to 16 static address entries, thereby minimizing the number of static entries that may need to be programmed into the Address Lookup Table, which is used primarily for dynamic entries. In response to a destination address (DA) lookup, all tables are searched to make a packet forwarding decision. Entries in this table are programmed by the host processor, and are never aged.

A static DA lookup result (in either this table or the Address Lookup Table) takes precedence over the dynamic DA lookup result.

The Static Address Table has 16 entries and is accessed indirectly. The [Static Address and Reserved Multicast Table Control Register](#) is used for indexing and read/write control. The following registers are used for the data fields:

- [Static Address Table Entry 1 Register](#)
- [Static Address Table Entry 2 Register](#)
- [Static Address Table Entry 3 Register](#)
- [Static Address Table Entry 4 Register](#)

5.3.2.1 Static Address Table Write Operation

1. Write the content of the table entry to the [Static Address Table Entry 1 Register](#), [Static Address Table Entry 2 Register](#), [Static Address Table Entry 3 Register](#), and [Static Address Table Entry 4 Register](#).
2. Write to the [Static Address and Reserved Multicast Table Control Register](#).
 - a) Write the TABLE_INDEX field with the 4-bit index value.
 - b) Set the TABLE_SELECT bit to 0 to select the Static Address Table.
 - c) Set the ACTION bit to 0 to indicate a write operation.
 - d) Set the START_FINISH bit to 1 to initiate the operation.
3. When the operation is complete, the START_FINISH bit will be cleared automatically.

5.3.2.2 Static Address Table Read Operation

1. Write to the [Static Address and Reserved Multicast Table Control Register](#).
 - a) Write the TABLE_INDEX field with the 4-bit index value.
 - b) Set the TABLE_SELECT bit to 0 to select the Static Address Table.

KSZ9897S

- c) Set the ACTION bit to 1 to indicate a read operation.
- d) Set the START_FINISH bit to 1 to initiate the operation.
- 2. When the operation is complete, the START_FINISH bit will be cleared automatically.
 - a) Read the contents of the indexed entry from the [Static Address Table Entry 1 Register](#), [Static Address Table Entry 2 Register](#), [Static Address Table Entry 3 Register](#), and [Static Address Table Entry 4 Register](#).

5.3.2.3 Static Address Table Entry 1 Register

Address: 0x0420 - 0x0423 Size: 32 bits

Bits	Description	Type	Default
31	VALID 1 = Entry is valid 0 = Entry is not valid	R/W	0b
30	SRC FILTER 1 = Drop packet if source address match during source learning 0 = Don't drop if source address match	R/W	0b
29	DES FILTER 1 = Drop packet if destination address match during lookup 0 = Don't drop if destination address match	R/W	0b
28:26	PRIORITY	R/W	0_00b
25:3	RESERVED	RO	0x000000
2:0	MSTP Multiple Spanning Tree Protocol group ID for matching	R/W	000b

5.3.2.4 Static Address Table Entry 2 Register

Address: 0x0424 - 0x0427 Size: 32 bits

Bits	Description	Type	Default
31	OVERRIDE 1 = Enable overriding of port state 0 = Do not enable	R/W	0b
30	USE FID Use FID on multicast packets for matching	R/W	0b
29:7	RESERVED	RO	0x000000
6:0	PORT FORWARD Each bit corresponds to a device port. Bit 0 is for port 1 Bit 1 is for port 2, etc. 1 = Forward to the corresponding port 0 = Do not forward to the corresponding port	R/W	0x00

5.3.2.5 Static Address Table Entry 3 Register

Address: 0x0428 - 0x042B Size: 32 bits

Bits	Description	Type	Default
31:23	RESERVED	RO	0x000
22:16	FID VLAN group ID for matching	R/W	000_0000b
15:0	MAC Address [47:32]	R/W	0x0000

5.3.2.6 Static Address Table Entry 4 Register

Address: 0x042C - 0x042F Size: 32 bits

Bits	Description	Type	Default
31:0	MAC Address [31:0]	R/W	0x00000000

5.3.3 RESERVED MULTICAST ADDRESS TABLE

The Reserved Multicast Address Table determines the forwarding ports for 48 specific multicast addresses. The table is addressed by the least significant 6 bits of the multicast address, and the table contents are the bits (the PORT_FORWARD field) that represent each possible forwarding port of the device. It is not addressed by the group number in the first column of [Table 4-6](#). Note that the 48 addresses are organized into 8 fixed groups, and changing a forwarding port for one address also makes the same change for all other addresses in the same group.

The Reserved Multicast Table is accessed in the same manner as the [Static Address Table](#), using the same indirect access registers. The [Static Address and Reserved Multicast Table Control Register](#) is used for indexing and read/write control, while the [Reserved Multicast Address Table Entry 2 Register](#) is used for the data fields.

5.3.3.1 Reserved Multicast Table Write Operation

- Write the PORT_FORWARD value to the [Reserved Multicast Address Table Entry 2 Register](#).
- Write to the [Static Address and Reserved Multicast Table Control Register](#).
 - Write the TABLE_INDEX field with the 6-bit index value.
 - Set the TABLE_SELECT bit to 1 to select the Reserved Multicast Table.
 - Set the ACTION bit to 0 to indicate a write operation.
 - Set the START_FINISH bit to 1 to initiate the operation.
- When the operation is complete, the START_FINISH bit will be cleared automatically.

5.3.3.2 Reserved Multicast Table Read Operation

- Write to the [Static Address and Reserved Multicast Table Control Register](#).
 - Write the TABLE_INDEX field with the 6-bit index value.
 - Set the TABLE_SELECT bit to 1 to select the Reserved Multicast Table.
 - Set the ACTION bit to 1 to indicate a read operation.
 - Set the START_FINISH bit to 1 to initiate the operation.
- When the operation is complete, the START_FINISH bit will be cleared automatically.
 - Read the contents of the indexed entry from the [Reserved Multicast Address Table Entry 2 Register](#).

KSZ9897S

5.3.3.3 Reserved Multicast Address Table Entry 2 Register

Address: 0x0424 - 0x0427 Size: 32 bits

Bits	Description	Type	Default
31:30	RESERVED	R/W	00b
29:7	RESERVED	RO	0x000000
6:0	PORT FORWARD Each bit corresponds to a device port. Bit 0 is for port 1 Bit 1 is for port 2, etc. 1 = Forward to the corresponding port 0 = Do not forward to the corresponding port	R/W	0x00

5.3.4 VLAN TABLE

An internal VLAN Table is used for VLAN lookup. If 802.1Q VLAN mode is enabled ([Switch Lookup Engine Control 0 Register](#)), this table will be used to retrieve the VLAN information that is associated with the ingress packet. The table holds 4096 entries - one for each possible VLAN. The table must be set up before 802.1Q VLAN is enabled. The VLAN table is accessed one entry at a time using the following indirect registers:

- [VLAN Table Entry 0 Register](#)
- [VLAN Table Entry 1 Register](#)
- [VLAN Table Entry 2 Register](#)
- [VLAN Table Index Register](#)
- [VLAN Table Access Control Register](#)

The table data fields are described in [Figure 5-4](#) and [Table 5-4](#).

FIGURE 5-4: VLAN TABLE STRUCTURE

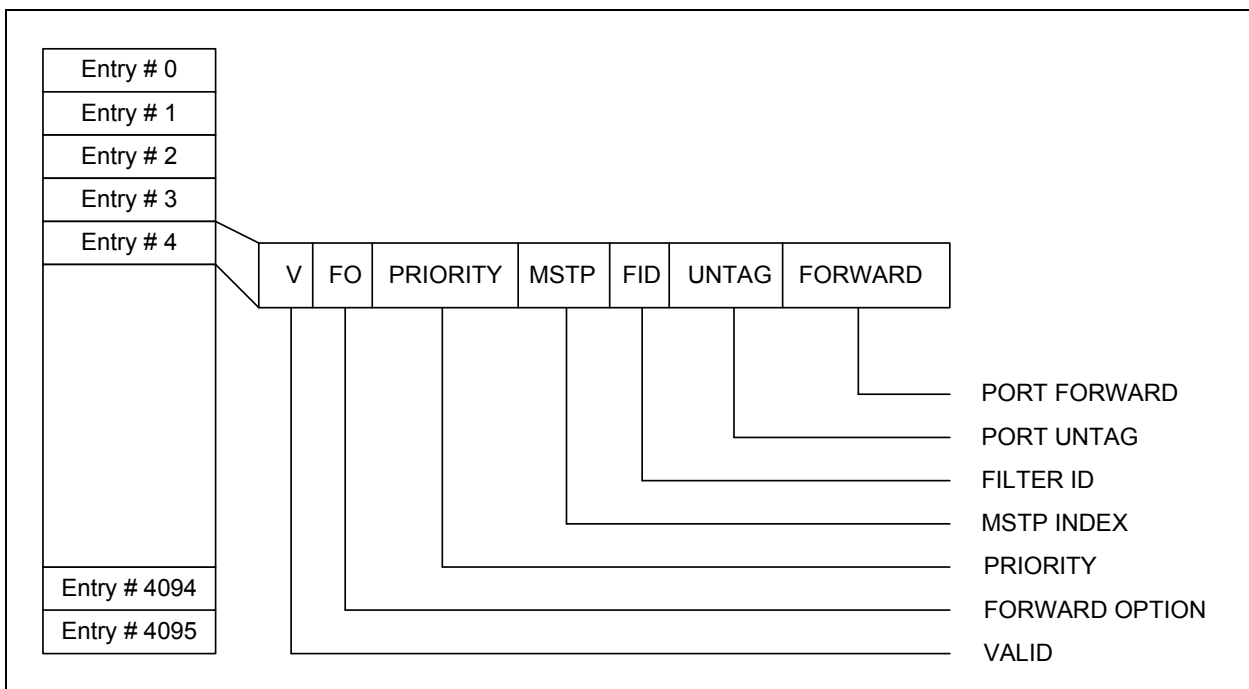


TABLE 5-4: VLAN TABLE DATA FIELDS

Field	Size (bits)	Description
VALID	1	When 1, indicates that the table entry is valid.
FORWARD OPTION	1	When 1, forward to VLAN port table (PORT FORWARD field). When 0, see Table 4-8, "VLAN Forwarding" for details.
PRIORITY	3	Priority value for this VID.
MSTP INDEX	3	Multiple Spanning Tree Protocol index.
FID	7	Filter ID value. It is combined with destination address and hashed to index the Address Lookup Table.
PORT UNTAG	7 (1 per port)	When 1, untag at that egress port. When 0, don't untag.
PORT FORWARD	7 (1 per port)	VLAN port membership list. There is one bit per port, starting with the LSB which corresponds to port 1. A bit value of 1 indicates the associated port is included in the port membership list for that VID. When 0, that port is excluded.

5.3.4.1 VLAN Table Write Operation

1. Write to the [VLAN Table Entry 0 Register](#), [VLAN Table Entry 1 Register](#), and [VLAN Table Entry 2 Register](#) to set up the data fields as described in [Figure 5-4](#) and [Table 5-4](#).
2. Write the VLAN Index value in the [VLAN Table Index Register](#). This is the 12-bit index (address) to select the table entry. It is equivalent to the VID which indexes the table during lookup.
3. Write the [VLAN Table Access Control Register](#) to specify a write operation, and set START (bit 7). When the operation is complete, bit 7 will be cleared automatically.

5.3.4.2 VLAN Table Read Operation

1. Write the VLAN Index value in the [VLAN Table Index Register](#) to select one of the 4k table entries.
2. Write the [VLAN Table Access Control Register](#) to specify a read operation and set START (bit 7). When the operation is complete, bit 7 will be cleared automatically.
3. Read the [VLAN Table Entry 0 Register](#), [VLAN Table Entry 1 Register](#), and [VLAN Table Entry 2 Register](#) to retrieve the read results from the VLAN table.

5.3.5 ACCESS CONTROL LIST (ACL) TABLE

ACL filtering is implemented individually per-port. The ACL tables are accessed using the [Port N: Port Switch ACL Control Registers \(0xN600 - 0xN6FF\)](#). The 16 entries in each ACL table are addressed indirectly by an index register.

[Table 5-5](#) shows how the various fields of the ACL Table entries are mapped to data registers. The [Port ACL Byte Enable MSB Register](#) and [Port ACL Byte Enable LSB Register](#) make it possible to write or read any combination of bytes. This is useful for writing the Matching rule, Action rule and Process field separately. There are 16 bits in these byte enable registers, corresponding to the 16 data registers [Port ACL Access 0 Register](#) through [Port ACL Access F Register](#). Note that the enable bits are applied in reverse order:

Bit 0 for the [Port ACL Access F Register](#)

Bit 1 for the [Port ACL Access E Register](#)

...

Bit 14 for the [Port ACL Access 1 Register](#)

Bit 15 for the [Port ACL Access 0 Register](#)

Also note that the [Port ACL Access C Register](#) is not used, so byte enable bit 3 is a don't care.

KSZ9897S

TABLE 5-5: ACL FIELD REGISTER MAPPING

Register	Bits	MD = 01 ENB = 00 Count Mode	MD = 01 ENB ≠ 00	MD = 10	MD = 11
0xN600	7:4	RESERVED			
	3:0	Process Field: FRN [3:0]			
0xN601	7:6	RESERVED			
	5:4	MD [1:0]			
	3:2	ENB [1:0]			
	1	S / D			
	0	EQ			
0xN602	7:0	MAC ADDRESS [47:0]		IP Address [31:0]	MAX PORT [15:0]
0xN603	7:0				RESERVED
0xN604	7:0			PC [1:0]	
0xN605	7:0				
0xN606	7:3			TYPE [15:0]	IP MASK [31:0]
	2:1	FMSK [7:0]			
	0	FLAG [7:0]			
0xN607	7:1				
	0				
0xN608	7:0				
0xN609	7:0				
0xN60A	7:6	COUNT [10:3]	Action Rule: PM [1:0]		
	5:3		Action Rule: P [2:0]		
	2		Action Rule: RPE		
	1:0		Action Rule: RP [2:1]		
0xN60B	7	COUNT [2:0]	Action Field: RP [0]		
	6:5		Action Field: MM [1:0]		
	4:0	RESERVED			
0xN60C	7:0	RESERVED			
0xN60D	7	RESERVED			
	6	TU	Action Field: FORWARD [6:0]		
	5	CA			
	4:0	RESERVED			
0xN60E	7:0	Process Field: RuleSet [15:8]			
0xN60F	7:0	Process Field: RuleSet [7:0]			

5.3.5.1 ACL Table Read

1. Write to the [Port ACL Access Control 0 Register](#) with the table entry number (0 to 15) in the ACL Index field, and the Write/Read bit 4 cleared to zero. This one write to this register initiates the read operation.
2. Poll the Read Status bit in the [Port ACL Access Control 0 Register](#) to determine when the read operation is complete.
3. When the operation is complete, data may be retrieved from the [Port ACL Access 0 Register](#) through [Port ACL Access F Register](#).

5.3.5.2 ACL Table Write

1. Write the ACL table entry values to the [Port ACL Access 0 Register](#) through [Port ACL Access F Register](#).
2. Write the [Port ACL Byte Enable MSB Register](#) and [Port ACL Byte Enable LSB Register](#) to select which registers ([Port ACL Access 0 Register](#) through [Port ACL Access F Register](#)) are to be written into the ACL table.
3. Write to the [Port ACL Access Control 0 Register](#) with the table entry number in the ACL Index field, and the Write/Read bit 4 set to one. This one write to this register initiates the write operation.
4. The Write Status bit in the [Port ACL Access Control 0 Register](#) may be polled to determine when the operation is complete.

5.3.6 MANAGEMENT INFORMATION BASE (MIB) COUNTERS

There are 36 MIB counters per port. These counters accumulate a variety of statistics on ingress and egress traffic and events for network management. They are accessed indirectly using the [Port MIB Control and Status Register](#) and [Port MIB Data Register](#). The [Switch MIB Control Register](#) provides global flush and freeze control of the MIB counters.

TABLE 5-6: MIB COUNTERS

MIB Index	MIB Counter	Size (bits)	Description
0x00	RxHiPriorityByte	30	RX high priority octet count, including bad packets.
0x01	RxUndersizePkt	30	RX undersize packets with good CRC.
0x02	RxFragments	30	RX fragment packets with bad CRC, symbol errors or alignment errors.
0x03	RxOversize	30	RX oversize packets w/ good CRC (max: 1536 or 1522 bytes).
0x04	RxJabbers	30	RX packets longer than 1522 bytes with either CRC errors, alignment errors or symbol errors (depends on max packet size setting); or RX packets longer than 1916 bytes only.
0x05	RxSymbolError	30	RX packets with invalid data symbol; and legal preamble and packet size.
0x06	RxCRCError	30	RX packets between 64 and 1522 bytes in size, with an integral number of bytes and a bad CRC. (Upper limit depends on max packet size setting.)
0x07	RxAlignmentError	30	RX packets between 64 and 1522 bytes in size, with a non-integral number of bytes and a bad CRC. (Upper limit depends on max packet size setting.)
0x08	RxControl8808Pkts	30	MAC control frames received with 0x8808 in the EtherType field.
0x09	RxPausePkts	30	PAUSE frames received. PAUSE is defined as EtherType (0x8808), DA, control opcode (0x0001), minimum 64 byte data length, and a valid CRC.
0x0A	RxBroadcast	30	RX good broadcast packets. Does not include erred broadcast packets or valid multicast packets.
0x0B	RXMulticast	30	RX good multicast packets. Does not include MAC control frames, erred multicast packets, or valid broadcast packets.
0x0C	RxUnicast	30	RX good unicast packets.
0x0D	Rx64Octets	30	RX packets (bad packets included) that are 64 bytes in length.
0x0E	Rx65to127Octets	30	RX packets (bad packets included) that are 65 to 127 bytes in length.
0x0F	Rx128to255Octets	30	RX packets (bad packets included) that are 128 to 255 bytes in length.
0x10	Rx256to511Octets	30	RX packets (bad packets included) that are 256 to 511 bytes in length.
0x11	Rx512to1023Octets	30	RX packets (bad packets included) that are 512 to 1023 bytes in length.
0x12	Rx1024to1522Octets	30	RX packets (bad packets included) that are 1024 to 1522 bytes in length.
0x13	Rx1523to2000Octets	30	RX packets (bad packets included) that are 1523 to 2000 bytes in length.
0x14	Rx2001+Octets	30	RX packets (bad packets included) that are between 2001 bytes and the upper limit in length.

TABLE 5-6: MIB COUNTERS (CONTINUED)

MIB Index	MIB Counter	Size (bits)	Description
0x15	TxHiPriorityByte	30	TX high priority good octet count, including PAUSE packets.
0x16	TxLateCollision	30	Collision is detected later than 512 bit times into the transmission of a packet.
0x17	TxPausePkts	30	PAUSE frames transmitted. PAUSE is EtherType (0x8808), DA, control opcode (0x0001), minimum 64 byte data length, and a valid CRC.
0x18	TxBroadcastPkts	30	TX good broadcast packets. Does not include erred broadcast packets or valid multicast packets.
0x19	TxMulticastPkts	30	TX good multicast packets. Does not include MAC control frames, erred multicast packets, or valid broadcast packets.
0x1A	TxUnicastPkts	30	TX good unicast packets.
0x1B	TxDeferred	30	TX packets where the first transmit attempt is delayed due to the busy medium.
0x1C	TxTotalCollision	30	TX total collisions. Half duplex only.
0x1D	TxExcessiveCollision	30	TX fails due to excessive collisions.
0x1E	TxSingleCollision	30	Successfully transmitted frames where transmission is inhibited by exactly one collision.
0x1F	TxMultipleCollision	30	Successfully transmitted frames where transmission is inhibited by more than one collision.
0x80	RxByteCnt	36	RX byte count.
0x81	TxByteCnt	36	TX byte count.
0x82	RxDropPackets	30	RX packets dropped due to lack of resources.
0x83	TXDropPackets	30	TX packets dropped due to lack of resources.

5.3.6.1 MIB Counter Read Operation

Indirect access registers are used to read the MIB counters. Separate access registers are provided for each port via the [Port MIB Control and Status Register](#) and [Port MIB Data Register](#). All MIB Counters are read-clear. The steps for reading a counter are as follows:

1. Write the MIB Index to bits [23:16] of the [Port MIB Control and Status Register](#).
2. Set the MIB Read Enable in bit 25 of the [Port MIB Control and Status Register](#). This step and the previous step may be done together.
3. Read the MIB Read Enable / Count Valid in bit 25 of the [Port MIB Control and Status Register](#). A '0' value indicates that the read is complete and the count is valid.
4. Read the count value from the [Port MIB Data Register](#). For 36-bit counters, counter bits [35:32] are read from the [Port MIB Control and Status Register](#). The Counter Overflow bit is also found in the [Port MIB Control and Status Register](#).

5.3.6.2 MIB Counter Freeze and Flush Functions

Counter freeze and flush functions are available on a port-by-port basis. Freezing or flushing counters is initiated by setting the appropriate bit in the [Switch MIB Control Register](#). The freeze or flush function will be applied to all ports for which the flush and freeze functions have been enabled. To enable flush and freeze for a port, set bit 24 in the [Port MIB Control and Status Register](#).

The following steps show an example of how flush and freeze are used to collect MIB statistics for all ports for a period of 1 second:

1. Set the MIB Flush and Freeze Enable bit 24 in the [Port MIB Control and Status Register](#) for all ports N.
2. Write 0x40 to the [Switch MIB Control Register](#) to freeze the MIB counters for all enabled ports.
3. Write 0xC0 to the [Switch MIB Control Register](#) to clear the MIB counters for all enabled ports (while continuing to also freeze the counters).
4. At the beginning of the 1 second period, write 0x00 to the [Switch MIB Control Register](#) to enable the counters.
5. At the end of the 1 second period, write 0x40 to the [Switch MIB Control Register](#) to freeze the counters.
6. Read each counter for each port.

5.4 MDIO Manageable Device (MMD) Registers (Indirect)

MMD registers provide indirect read/write access to up to 32 MMD device addresses with each device supporting up to 65,536 16-bit registers, as defined in Clause 22 of the IEEE 802.3 Specification. However, the KSZ9897S uses only a small fraction of the available registers. Refer to [Table 5-7, "MMD Register Map"](#) for a list of accessible MMD device addresses and their associated register addresses. Detailed descriptions of the supported MMD registers are provided in the following subsections. Additional information on the MIIM interface is provided in [Section 4.9.3, "MIIM Management \(MIIM\) Interface,"](#) on page 53.

The following two standard port registers serve as the portal registers to access the indirect MMD registers.

- [PHY MMD Setup Register](#)
- [PHY MMD Data Register](#)

TABLE 5-7: MMD REGISTER MAP

Device Address (hex)	Register Address (hex)	Description
2h	00h	MMD LED Mode Register
7h	3Ch	MMD EEE Advertisement Register

Example: MMD Register Write

Write MMD - Device Address 2h, Register 00h = 0010h to enable single-LED mode.

1. Write the [PHY MMD Setup Register](#) with 0002h // Set up register address for MMD – Device Address 2h.
2. Write the [PHY MMD Data Register](#) with 0000h // Select Register 00h of MMD – Device Address 2h.
3. Write the [PHY MMD Setup Register](#) with 4002h // Select register data for MMD – Device Address 2h, Reg. 00h.
4. Write the [PHY MMD Data Register](#) with 0010h // Write value 0010h to MMD – Device Address 2h, Reg. 00h.

Example: MMD Register Read

Read MMD - Device Address 2h, Register 11h – 13h for the LED mode status.

1. Write the [PHY MMD Setup Register](#) with 0002h // Set up register address for MMD – Device Address 2h.
2. Write the [PHY MMD Data Register](#) with 0000h // Select Register 00h of MMD – Device Address 2h.
3. Write the [PHY MMD Setup Register](#) with 4002h // Select register data for MMD – Device Address 2h, Reg. 00h.
4. Read the [PHY MMD Data Register](#) // Read data in MMD – Device Address 2h, Reg. 00h.

KSZ9897S

5.4.1 MMD LED MODE REGISTER

MMD Address: 0x02 Size: 16 bits
Register: 0x00

Bits	Description	Type	Default
15:5	RESERVED	RO	0x000
4	LED Mode 1 = Single-LED Mode 0 = Tri-color Dual-LED Mode	R/W	0b
3:0	RESERVED	RO	0001b

5.4.2 MMD EEE ADVERTISEMENT REGISTER

MMD Address: 0x07 Size: 16 bits
Register: 0x3C

Bits	Description	Type	Default
15:3	RESERVED	RO	0x000
2	1000BASE-T EEE Enable 1 = 1000 Mbps EEE capable 0 = No 1000 Mbps EEE capability	R/W	1b
1	100BASE-T EEE Enable 1 = 100 Mbps EEE capable 0 = No 100 Mbps EEE capability	R/W	1b
0	RESERVED	RO	0b

5.5 SGMII Registers (Indirect)

This section details the indirectly addressable SGMII registers, which are summarized in [Table 5-8, "SGMII Register Map \(Indirect\)"](#). The indirect SGMII register address space is 21 bits. Detailed descriptions of the supported SGMII registers are provided in the following subsections. Refer to [Section 5.2.3, "Port N: Port SGMII Control Registers \(0xN200 - 0xN2FF\)," on page 124](#) for additional information on accessing the indirect SGMII registers.

The following two standard port registers serve as the portal registers to access the indirect SGMII registers:

- [Port SGMII Address Register](#)
- [Port SGMII Data Register](#)

TABLE 5-8: SGMII REGISTER MAP (INDIRECT)

Address	Indirect SGMII Register
0x1F0000	SGMII Control Register
0x1F0001	SGMII Status Register
0x1F0002	SGMII PHY ID 1 Register
0x1F0003	SGMII PHY ID 2 Register
0x1F0004	SGMII Auto-Negotiation Advertisement Register
0x1F8000	SGMII Digital Control Register
0x1F8001	SGMII Auto-Negotiation Control Register
0x1F8002	SGMII Auto-Negotiation Status Register

5.5.1 SGMII CONTROL REGISTER

Address: 0x1F0000 Size: 16 bits

Bits	Description	Type	Default
15	PHY Reset	R/W	0b
14	PHY Loopback	R/W	0b
13	Force 100Mbit Speed [bit 6, bit 13] 00 = 10 Mbps 01 = 100 Mbps 10 = 1000 Mbps 11 = RESERVED	R/W	0b
12	Auto-Negotiation Enable	R/W	1b
11	PHY Power Down	R/W	0b
10	RESERVED	RO	0b
9	Auto-Negotiation Restart	R/WC	0b
8	Force Full Duplex	R/W	0b
7	RESERVED	RO	0b
6	Force 1000Mbit Speed Refer to bit 13 for details.	R/W	0b
5:0	RESERVED	RO	000000b

The correct link speed should be manually set after auto-negotiation. The detected speed is reflected in the [SGMII Auto-Negotiation Status Register](#).

KSZ9897S

5.5.2 SGMII STATUS REGISTER

Address: 0x1F0001 Size: 16 bits

These bits only indicate that this device is communicating with a connected device. For auto-negotiation results, such as the link status of the connected PHY, refer to the [SGMII Auto-Negotiation Status Register](#).

Bits	Description	Type	Default
15:6	RESERVED	RO	0000000110b
5	SGMII Auto-Negotiation Complete Indicates that “acknowledge” auto-negotiation codewords have been exchanged with the attached device.	RO	0b
4:3	RESERVED	RO	00b
2	Device Detect Indicates that an SGMII device with auto-negotiation is attached. However, auto-negotiation is not necessarily complete. 0 = Auto-negotiation codeword not received from the connected device. 1 = Auto-negotiation codeword received from the connected device.	RO	0b
1:0	RESERVED	RO	00b

5.5.3 SGMII PHY ID 1 REGISTER

Address: 0x1F0002 Size: 16 bits

Bits	Description	Type	Default
15:0	PHY ID 1	RO	0x7996

5.5.4 SGMII PHY ID 2 REGISTER

Address: 0x1F0003 Size: 16 bits

Bits	Description	Type	Default
15:0	PHY ID 2	RO	0xCED0

5.5.5 SGMII AUTO-NEGOTIATION ADVERTISEMENT REGISTER

Address: 0x1F0004 Size: 16 bits

Bits	Description	Type	Default
15:14	RESERVED	RO	00b
13:12	RESERVED	R/W	00b
11:9	RESERVED	RO	000b
8:5	RESERVED	R/W	0001b
4:0	RESERVED	RO	00000b

5.5.6 SGMII DIGITAL CONTROL REGISTER

Address: 0x1F8000 Size: 16 bits

Bits	Description	Type	Default
15	RESERVED	R/W	0b
14	Ingress to Egress Loopback Enable	R/W	0b
13:0	RESERVED	R/W	0x2400

5.5.7 SGMII AUTO-NEGOTIATION CONTROL REGISTER

Address: 0x1F8001 Size: 16 bits

Bits	Description	Type	Default
15:5	RESERVED	RO	0000000b
4	Link Up This is not a status bit. Set this bit when auto-negotiating and in PHY side SGMII mode.	R/W	0b
3	Transmit Configuration Master 0 = Configure port as MAC-side SGMII (a.k.a Master Mode) 1 = Configure port as PHY-side SGMII (a.k.a. Slave Mode)	R/W	0b
2:1	PCS Mode 00 = RESERVED 01 = RESERVED 10 = SGMII 11 = RESERVED	R/W	10b
0	Auto-Negotiation Complete Interrupt Enable	R/W	0b

The Link Up and Transmit Configuration Master fields should be set when running as a master.

KSZ9897S

5.5.8 SGMII AUTO-NEGOTIATION STATUS REGISTER

Address: 0x1F8002 Size: 16 bits

This register provides the results of the SGMII auto-negotiation. The [SGMII Auto-Negotiation Control Register](#) needs to be updated after the correct speed and duplex are detected in this register.

Bits	Description	Type	Default
15:5	RESERVED	RO	0x000
4	Link Up	RO	0b
3:2	Link Speed 00 = 10 Mbps 01 = 100 Mbps 10 = 1000 Mbps 11 = RESERVED	RO	00b
1	Full Duplex	RO	0b
0	RESERVED	RO	0b

6.0 OPERATIONAL CHARACTERISTICS

6.1 Absolute Maximum Ratings*

Supply Voltage (AVDDL, DVDDL, VDDLs)	-0.5 V to +1.8 V
Supply Voltage (AVDDH, VDDIO, VDDHS)	-0.5 V to +5.0 V
Input Voltage (all inputs)	-0.5 V to +5.0 V
Output Voltage (all outputs)	-0.5 V to +5.0 V
Lead Temperature (soldering, 20 sec.)	+260°C
Storage Temperature (T _S)	-65°C to +150°C
Maximum Junction Temperature (T _J)	+125°C
HBM ESD Performance	+/-6 kV

*Stresses exceeding those listed in this section could cause permanent damage to the device. This is a stress rating only. Exposure to absolute maximum rating conditions for extended periods may affect device reliability. Functional operation of the device at any condition exceeding those indicated in [Section 6.2, "Operating Conditions**"](#), [Section 6.3, "Electrical Characteristics"](#), or any other applicable section of this specification is not implied.

6.2 Operating Conditions**

Supply Voltage (AVDDL, DVDDL, VDDLs)	+1.14V to +1.26 V
Supply Voltage (AVDDH, VDDHS)	+2.375 V to +2.625 V
Supply Voltage (VDDIO @ 3.3V)	+3.135 V to +3.465 V
Supply Voltage (VDDIO @ 2.5V)	+2.375 V to +2.625 V
Supply Voltage (VDDIO @ 1.8V)	+1.71 V to +1.89 V
Ambient Operating Temperature in Still Air (T _A)	Note 6-1
Junction to Ambient Resistance (Θ _{JA}) (Note 6-2)	Note 6-3
Junction to Case Characterization (Ψ _{JT}) (Note 6-2)	0.04°C/W
Junction to Case Resistance (Θ _{JC}) (Note 6-2)	Note 6-4

Note 6-1 0°C to +70°C for commercial version, -40°C to +85°C for industrial version.

Note 6-2 Ψ_{JT} and Θ_{JA} are under a 0 m/s air velocity. A 6-layer PCB is required for industrial applications.

Note 6-3 11.3°C/W on a 6-layer PCB per JESD51, 14.4°C/W on a 4-layer PCB per JESD51.

Note 6-4 1.5°C/W on a 6-layer PCB per JESD51, 1.21°C/W on a 4-layer PCB per JESD51.

**Proper operation of the device is ensured only within the ranges specified in this section.

KSZ9897S

6.3 Electrical Characteristics

T_A = 25°C.

TABLE 6-1: ELECTRICAL CHARACTERISTICS

Symbol	Parameter	Conditions	Min	Typ	Max	Units
Supply Current - Full 1000 Mbps Operation						
I _{DD_AH}	AVDDH supply current	VDDIO @ 3.3V Ports 1-5 in 1000BASE-T Ports 6 & 7 @ 1000 Mbps All ports 100% utilization		330		mA
I _{DD_IO}	VDDIO supply current			45		mA
I _{DD_CA}	AVDDL supply current			460		mA
I _{DD_CD}	DVDDL supply current			750		mA
I _{DD_HS}	VDDHS supply current			20		mA
I _{DD_LS}	VDDLs supply current			15		mA
Supply Current - Mixed 1000/100 Mbps Operation						
I _{DD_AH}	AVDDH supply current	VDDIO @ 3.3V Ports 1-5 in 100BASE-TX Ports 6 & 7 @ 1000 Mbps All ports 100% utilization		140		mA
I _{DD_IO}	VDDIO supply current			40		mA
I _{DD_CA}	AVDDL supply current			140		mA
I _{DD_CD}	DVDDL supply current			350		mA
I _{DD_HS}	VDDHS supply current			20		mA
I _{DD_LS}	VDDLs supply current			15		mA
Supply Current - Full 100 Mbps Operation						
I _{DD_AH}	AVDDH supply current	VDDIO @ 3.3V Ports 1-5 in 100BASE-TX Ports 6 & 7 @ 100 Mbps All ports 100% utilization		140		mA
I _{DD_IO}	VDDIO supply current			25		mA
I _{DD_CA}	AVDDL supply current			140		mA
I _{DD_CD}	DVDDL supply current			350		mA
I _{DD_HS}	VDDHS supply current			20		mA
I _{DD_LS}	VDDLs supply current			15		mA
Supply Current - Full 10 Mbps Operation						
I _{DD_AH}	AVDDH supply current	VDDIO @ 3.3V Ports 1-5 in 10BASE-T Ports 6 & 7 @ 10Mbps All ports 100% utilization		100		mA
I _{DD_IO}	VDDIO supply current (3.3V)			20		mA
I _{DD_CA}	AVDDL supply current			30		mA
I _{DD_CD}	DVDDL supply current			150		mA
I _{DD_HS}	VDDHS supply current			20		mA
I _{DD_LS}	VDDLs supply current			15		mA

TABLE 6-1: ELECTRICAL CHARACTERISTICS (CONTINUED)

Symbol	Parameter	Conditions	Min	Typ	Max	Units
Supply Current - Power Management - Energy Detect Mode						
I _{DD_AH}	AVDDH supply current			20		mA
I _{DD_IO}	VDDIO supply current (3.3V)			30		mA
I _{DD_CA}	AVDDL supply current			30		mA
I _{DD_CD}	DVDDL supply current			150		mA
I _{DD_HS}	VDDHS supply current			20		mA
I _{DD_LS}	VDDL _S supply current			15		mA
Supply Current - Power Management - Global Soft Power Down Mode						
I _{DD_AH}	AVDDH supply current			2		mA
I _{DD_IO}	VDDIO supply current (3.3V)			6		mA
I _{DD_CA}	AVDDL supply current			0.01		mA
I _{DD_CD}	DVDDL supply current			5		mA
I _{DD_HS}	VDDHS supply current			20		mA
I _{DD_LS}	VDDL _S supply current			15		mA
I Type CMOS Input Buffers (VDDIO = 3.3/2.5/1.8V)						
V _{IH}	Input High Voltage		2.1/1.7/1.3			V
V _{IL}	Input Low Voltage				0.9/0.9/0.6	V
I _{IN}	Input Current	V _{IN} = GND ~ VDDIO	-10		10	μA
O8 Type CMOS Output Buffers (VDDIO = 3.3/2.5/1.8V)						
V _{OH}	Output High Voltage	I _{OH} = 8/8/6 mA	2.4/1.9/1.5			V
V _{OL}	Output Low Voltage	I _{OL} = 8/8/6 mA			0.4/0.4/0.2	V
I _{OZ}	Output Tri-State Leakage	V _{IN} = GND ~ VDDIO			10	μA
O24 Type CMOS Output Buffers (VDDIO = 3.3/2.5/1.8V)						
V _{OH}	Output High Voltage	I _{OH} = 24/24/20 mA	2.4/1.9/1.5			V
V _{OL}	Output Low Voltage	I _{OL} = 24/24/20 mA			0.4/0.4/0.2	V
I _{OZ}	Output Tri-State Leakage	V _{IN} = GND ~ VDDIO			10	μA
SGMII Inputs						
V _{RXEYE}	Minimum RX Eye Height (differential peak-to-peak)		175			mV
Z _{IN}	Differential Input Impedance		85		115	Ω
PPM	Tolerance		-350		350	ppm

KSZ9897S

TABLE 6-1: ELECTRICAL CHARACTERISTICS (CONTINUED)

Symbol	Parameter	Conditions	Min	Typ	Max	Units
SGMII Outputs						
V _{DIFF}	Driver Output Voltage (peak-to-peak, differential amplitude)		0.8		1.2	V
V _{CTM}	Transmit Common Mode Voltage		0.4		0.6	V
Z _D	Driver Differential Output Impedance		85		115	Ω
I/O Pin Internal Pull-Up and Pull-Down Effective Resistance						
R1.8PU	I/O Pin Effective Pull-Up Resistance	VDDIO = 1.8V		125		kΩ
R1.8PD	I/O Pin Effective Pull-Down Resistance			97		kΩ
R2.5PU	I/O Pin Effective Pull-Up Resistance	VDDIO = 2.5V		58		kΩ
R2.5PD	I/O Pin Effective Pull-Down Resistance			51		kΩ
R3.3PU	I/O Pin Effective Pull-Up Resistance	VDDIO = 3.3V		38		kΩ
R3.3PD	I/O Pin Effective Pull-Down Resistance			39		kΩ
100BASE-TX Transmit (Measured Differentially After 1:1 Transformer)						
V _O	Peak Differential Output	100Ω termination on the differential output	±0.95		±1.05	V
V _{imb}	Output Voltage Imbalance	100Ω termination on the differential output			2	%
t _r , t _f	Rise/Fall Time		3		5	ns
	Rise/Fall Time Imbalance		0		0.5	ns
	Duty cycle Distortion				±0.25	ns
	Overshoot				5	%
V _{SET}	Reference Voltage of ISET (using 6.04kΩ - 1% resistor)			1.21		V
	Output Jitter	Peak-to-Peak		0.7	1.4	ns
10BASE-Te Receive						
V _{sq}	Squelch Threshold	5MHz Square Wave		400		mV
10BASE-Te Transmit (Measured Differentially After 1:1 Transformer)						
V _p	Peak Differential Output Voltage	100Ω termination on the differential output	1.54	1.75	1.96	V
	Jitter Added	100Ω termination on the differential output (peak-to-peak)			3.5	ns
t _r , t _f	Rise/Fall Time			25		ns

6.4 Timing Specifications

This section details the various timing specifications of the device.

Note: The I²C interface timing adheres to the NXP I²C-Bus Specification (UM10204, Rev. 6) (high-speed mode and slower). Refer to the I²C-Bus Specification for additional information.

6.4.1 RGMII TIMING

Figure 6-1 illustrates the RGMII timing requirements.

FIGURE 6-1: RGMII TIMING

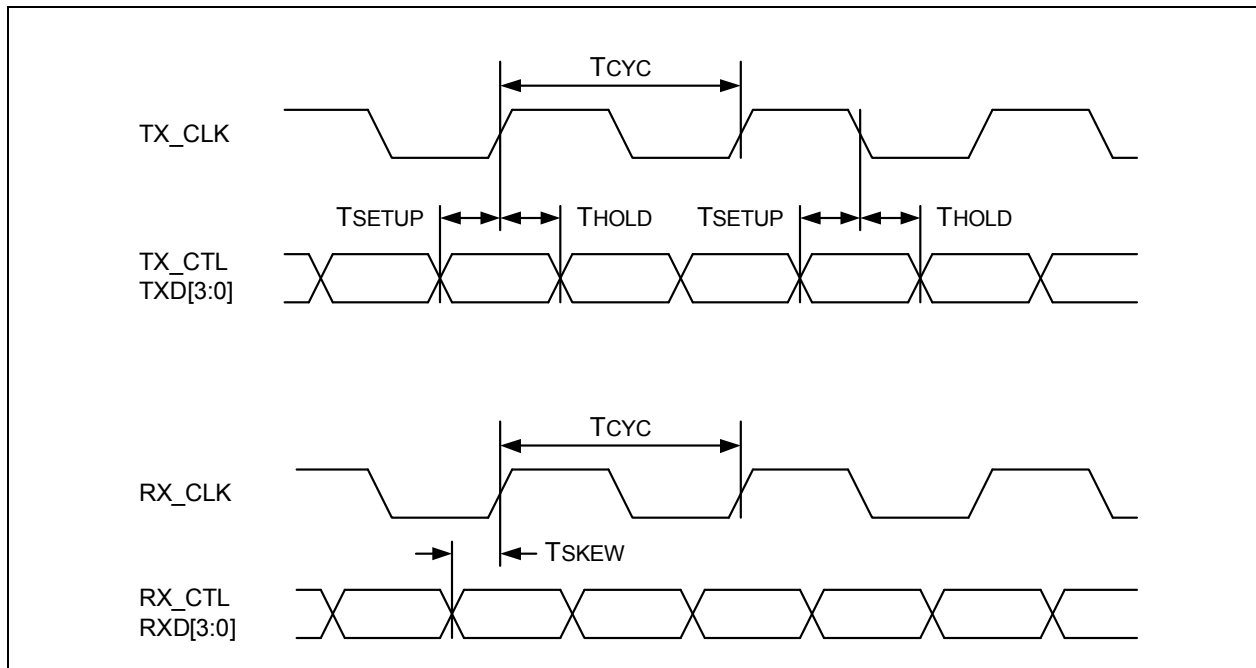


TABLE 6-2: RGMII TIMING VALUES

Symbol	Description	Min	Typ	Max	Units
T _{SETUP}	Data to clock input setup (Note 6-5)	2.2			ns
T _{HOLD}	Data to clock input hold (Note 6-5)	0			ns
T _{SKEW}	Data to clock output skew (Note 6-6)	1.2	2.0		ns
T _{CYC}	Clock cycle duration (Note 6-7)	7.2	8	8.8	ns
Duty_G	1000Mbps duty cycle	45	50	55	%
Duty_T	10/100Mbps duty cycle	40	50	60	%
T _r / T _f	Rise / Fall time (20-80%)			Note 6-8	ns

Note 6-5 For cases where there is no (or insufficient) skew between the input data and input clock, it is possible to add internal delay to the TX_CLK pinout by setting the RGMII Ingress Internal Delay bit in the [XMII Port Control 1 Register](#) register. This feature reduces the setup time requirement and increases the hold time requirement nominally by 1.3ns.

Note 6-6 The RGMII interface adheres to the RGMII Specification Version 2.0, which specified that the driving device delay the output clock relative to the output data. This is the T_{SKEW} parameter. This skew can be disabled by clearing the RGMII Egress Internal Delay bit in the [XMII Port Control 1 Register](#) register. Generally this is not recommended.

Note 6-7 For 10Mbps and 100Mbps, T_{CYC} will scale to 400ns +/- 40ns and 40ns +/- 4 ns, respectively.

Note 6-8 0.75ns for VDDIO = 3.3V/2.5V, 1.0ns for VDDIO = 1.8V

KSZ9897S

6.4.2 MII TIMING

6.4.2.1 MII Transmit Timing in MAC Mode

Figure 6-2 illustrates a write operation from the KSZ9897S to a PHY or other device while operating the KSZ9897S in MAC Mode.

FIGURE 6-2: MII TRANSMIT TIMING IN MAC MODE

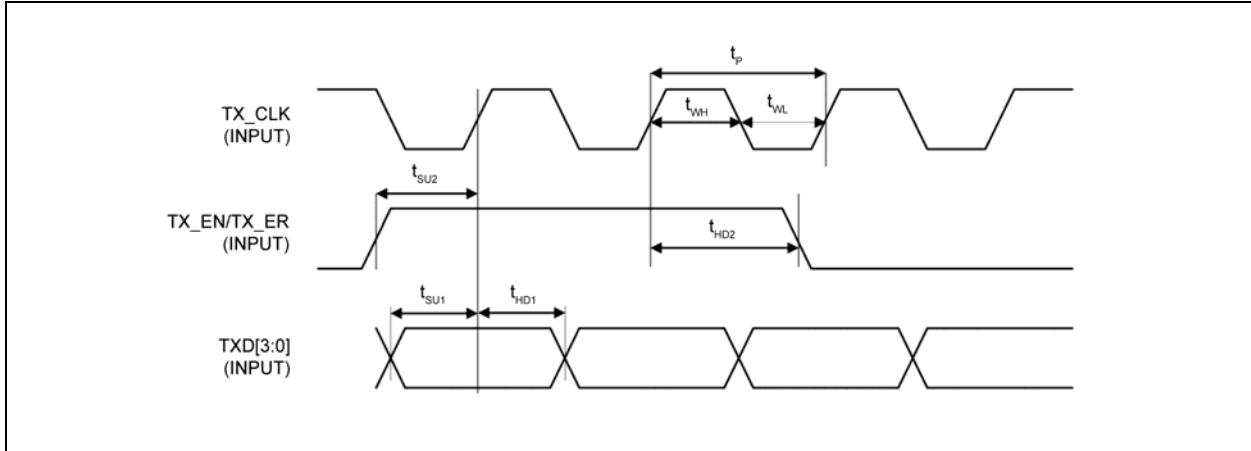


TABLE 6-3: MII TRANSMIT TIMING IN MAC MODE VALUES

Symbol	Description	Min	Typ	Max	Units
t _P (100BASE-TX/ 10BASE-Te)	RX_CLK period		40/400		ns
t _{WL} (100BASE-TX/ 10BASE-Te)	RX_CLK pulse width low		20/200		ns
t _{WH} (100BASE-TX/ 10BASE-Te)	RX_CLK pulse width high		20/200		ns
t _{OD}	RX_DV, RXD_[3:0] output delay from rising edge of RX_CLK		16		ns

6.4.2.2 MII Receive Timing in MAC Mode

Figure 6-3 illustrates a read operation by the KSZ9897S from a PHY or other device while operating the KSZ9897S in MAC Mode.

FIGURE 6-3: MII RECEIVE TIMING IN MAC MODE

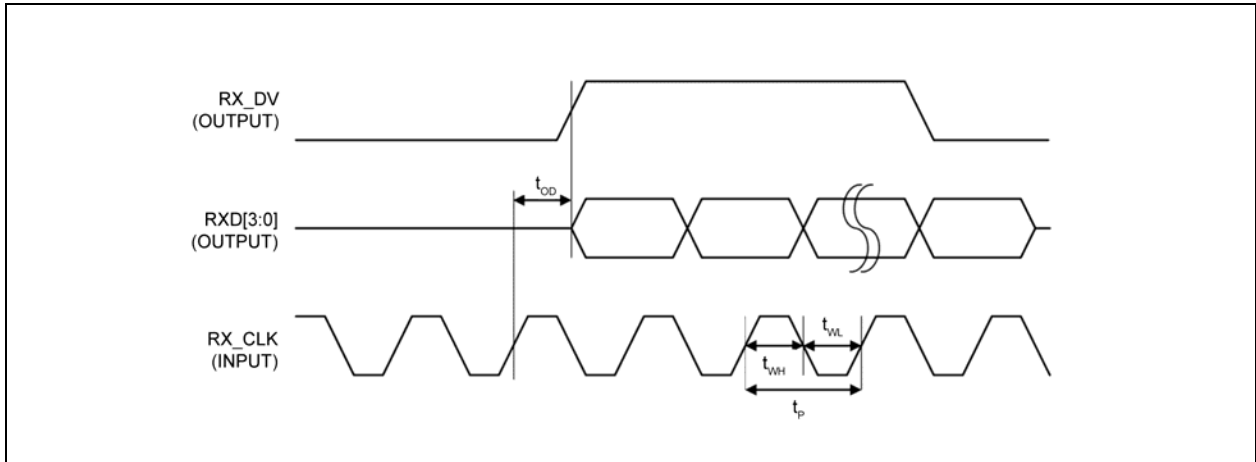


TABLE 6-4: MII RECEIVE TIMING IN MAC MODE VALUES

Symbol	Description	Min	Typ	Max	Units
t_p (100BASE-TX/ 10BASE-Te)	TX_CLK period		40/400		ns
t_{WL} (100BASE-TX/ 10BASE-Te)	TX_CLK pulse width low		20/200		ns
t_{WH} (100BASE-TX/ 10BASE-Te)	TX_CLK pulse width high		20/200		ns
t_{SU1}	TXD_[3:0] setup time to rising edge of TX_CLK	10			ns
t_{SU2}	TX_EN, TX_ER setup time to rising edge of TX_CLK	10			ns
t_{HD1}	TXD_[3:0] hold time from rising edge of TX_CLK	10			ns
t_{HD2}	TX_EN, TX_ER hold time from rising edge of TX_CLK	10			ns

KSZ9897S

6.4.2.3 MII Receive Timing in PHY Mode

FIGURE 6-4: MII RECEIVE TIMING IN PHY MODE

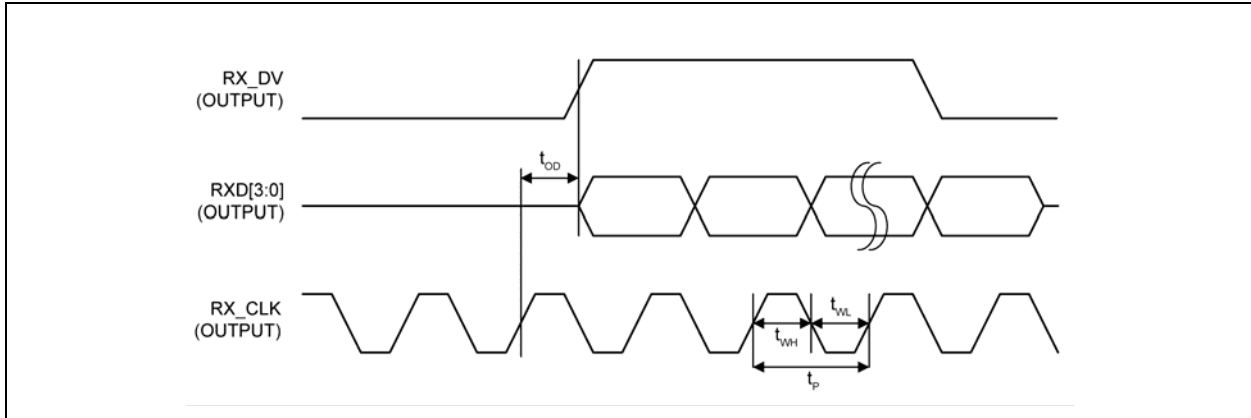


TABLE 6-5: MII RECEIVE TIMING IN PHY MODE VALUES

Symbol	Description	Min	Typ	Max	Units
t_P (100BASE-TX/ 10BASE-Te)	RX_CLK period		40/400		ns
t_{WL} (100BASE-TX/ 10BASE-Te)	RX_CLK pulse width low		20/200		ns
t_{WH} (100BASE-TX/ 10BASE-Te)	RX_CLK pulse width high		20/200		ns
t_{OD}	RX_DV, RXD [3:0] output delay from rising edge of RX_CLK		20		ns

6.4.2.4 MII Transmit Timing in PHY Mode

FIGURE 6-5: MII TRANSMIT TIMING IN PHY MODE

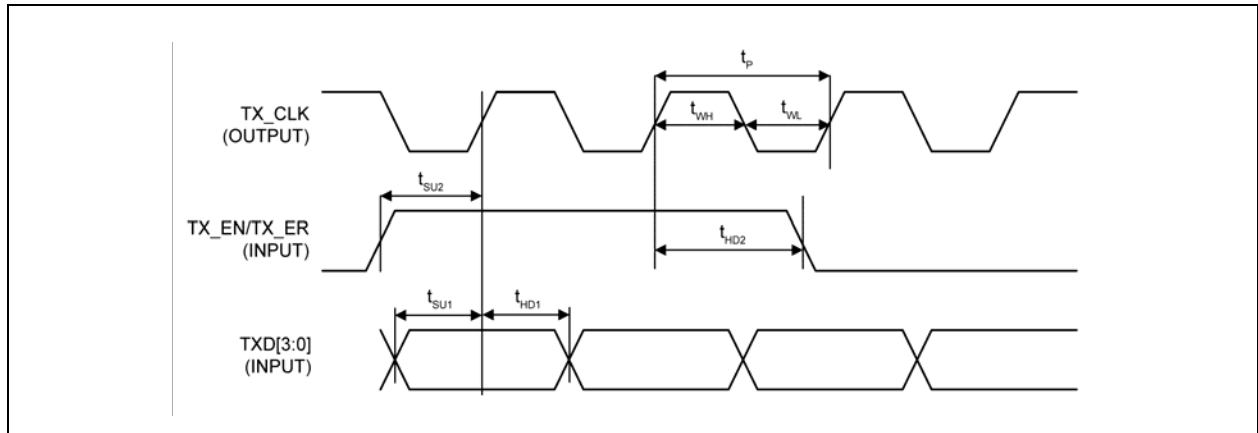


TABLE 6-6: MII TRANSMIT TIMING IN PHY MODE VALUES

Symbol	Description	Min	Typ	Max	Units
t_p (100BASE-TX/ 10BASE-Te)	TX_CLK period		40/400		ns
t_{WL} (100BASE-TX/ 10BASE-Te)	TX_CLK pulse width low		20/200		ns
t_{WH} (100BASE-TX/ 10BASE-Te)	TX_CLK pulse width high		20/200		ns
t_{SU1}	TXD_[3:0] setup time to rising edge of TX_CLK	10			ns
t_{SU2}	TX_EN, TX_ER setup time to rising edge of TX_CLK	10			ns
t_{HD1}	TXD_[3:0] hold time from rising edge of TX_CLK	0			ns
t_{HD2}	TX_EN, TX_ER hold time from rising edge of TX_CLK	0			ns

KSZ9897S

6.4.3 RMII TIMING

Figure 6-6 and Figure 6-7 illustrate the RMII timing requirements.

FIGURE 6-6: RMII TRANSMIT TIMING

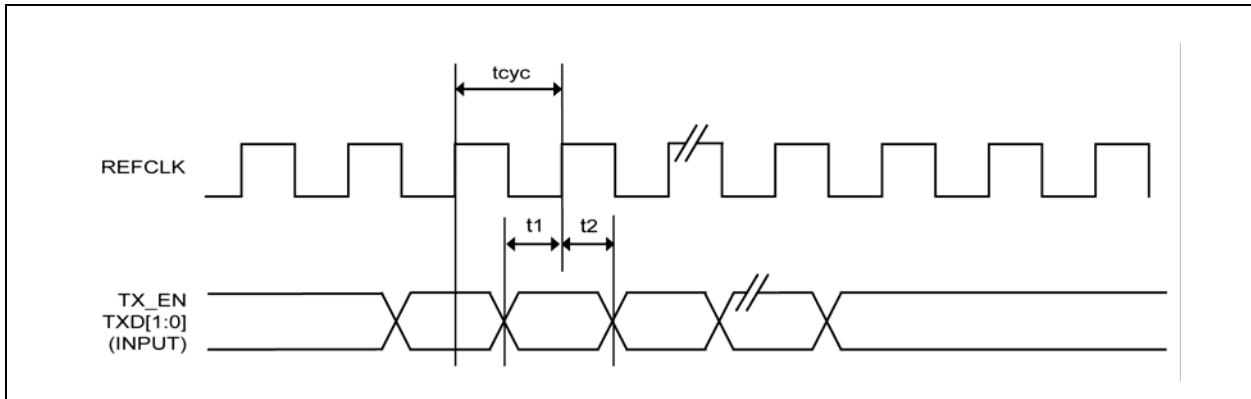


FIGURE 6-7: RMII RECEIVE TIMING

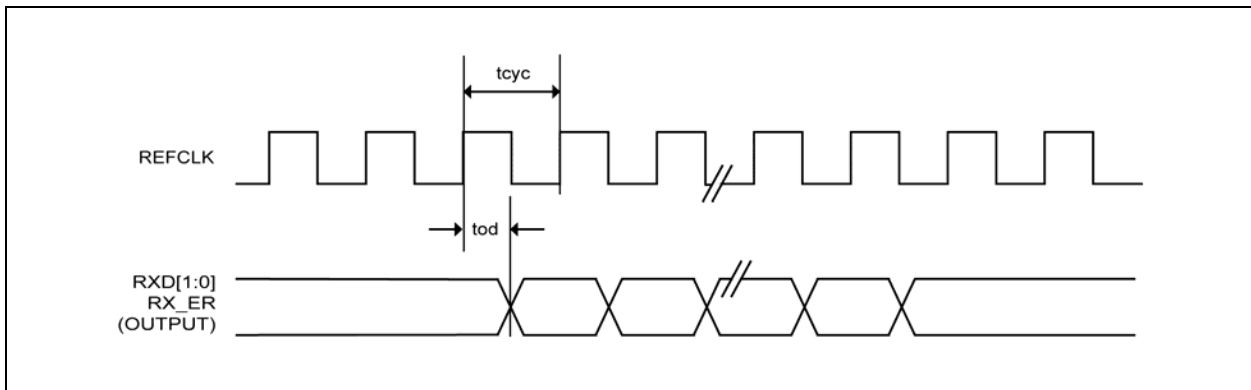


TABLE 6-7: RMII TIMING VALUES

Symbol	Description	Min	Typ	Max	Units
t_{cyc}	Clock cycle		20		ns
t_1	Setup time	4			ns
t_2	Hold time	2			ns
t_{od}	Output delay	7	9	13	ns

6.4.4 MIIM TIMING

Figure 6-8 illustrates the MIIM timing requirements.

FIGURE 6-8: MIIM TIMING

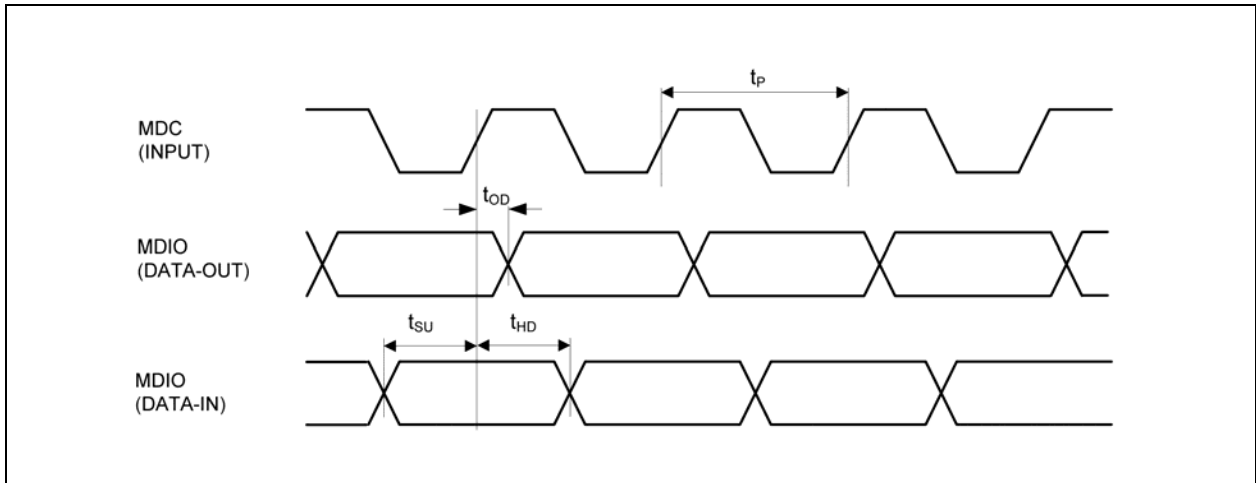


TABLE 6-8: MIIM TIMING VALUES

Symbol	Description	Min	Typ	Max	Units
t_p	MDC period		400		ns
t_{OD}	Output delay		200		ns
t_{SU}	MDIO setup time to rising edge of MDC	10			ns
t_{HD}	MDIO hold time from rising edge of MDC	5			ns

KSZ9897S

6.4.5 SPI TIMING

Figure 6-9 and Figure 6-10 illustrate the SPI timing requirements.

FIGURE 6-9: SPI DATA INPUT TIMING

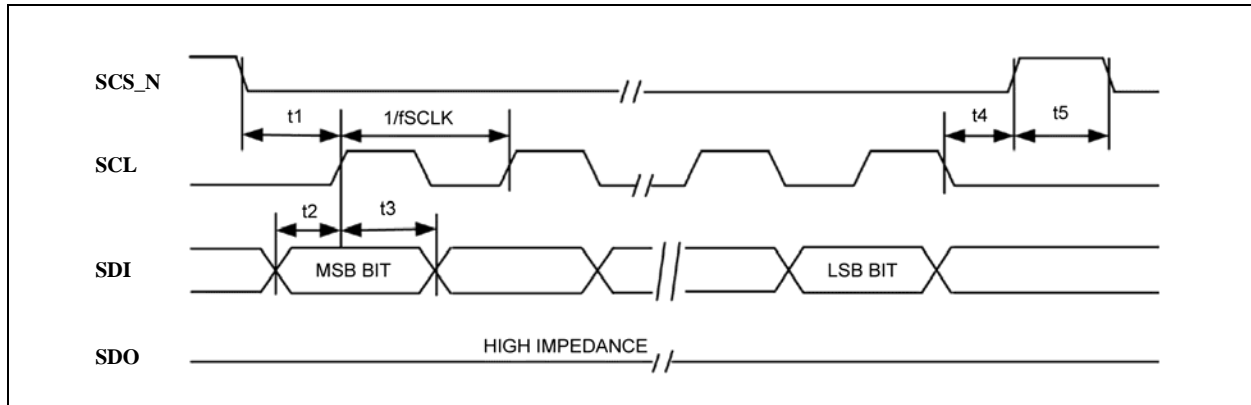


FIGURE 6-10: SPI DATA OUTPUT TIMING

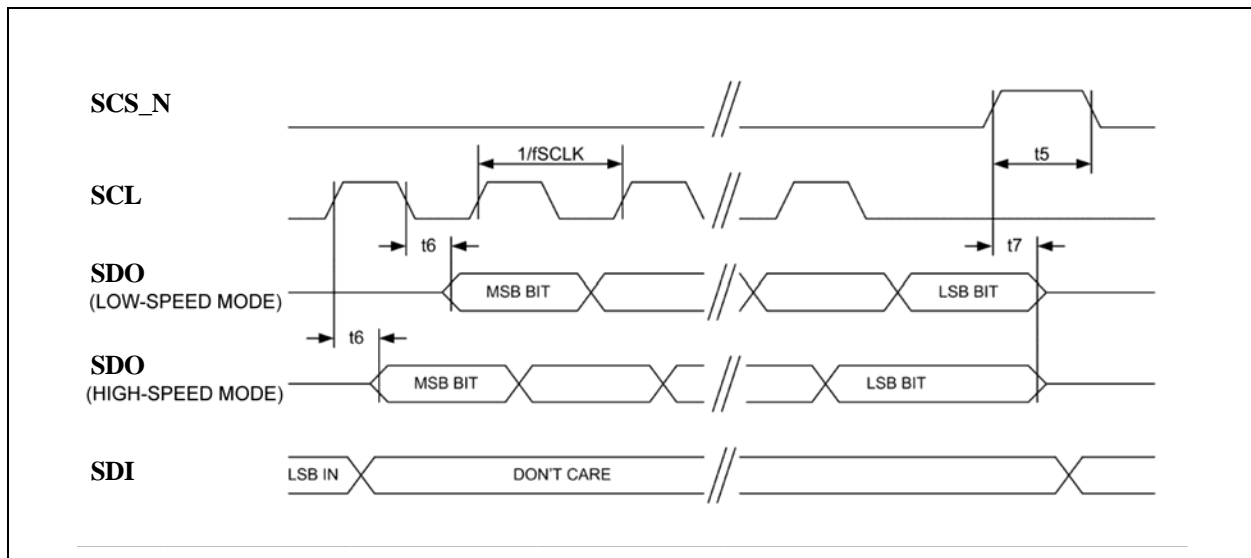


TABLE 6-9: SPI TIMING VALUES

Symbol	Description	Min	Typ	Max	Units
f_{SCLK}	SCL clock frequency			50	MHz
t_1	SCS_N active setup time	8			ns
t_2	SDI data input setup time	3			ns
t_3	SDI data input hold time	3			ns
t_4	SCS_N active hold time	8			ns
t_5	SCS_N disable high time	8			ns
t_6	SCL falling edge to SDO data output valid	2		9	ns
t_7	SCS_N inactive to SDO data input invalid	1			ns

6.4.6 AUTO-NEGOTIATION TIMING

Figure 6-11 illustrates the Auto-Negotiation timing requirements.

FIGURE 6-11: AUTO-NEGOTIATION TIMING

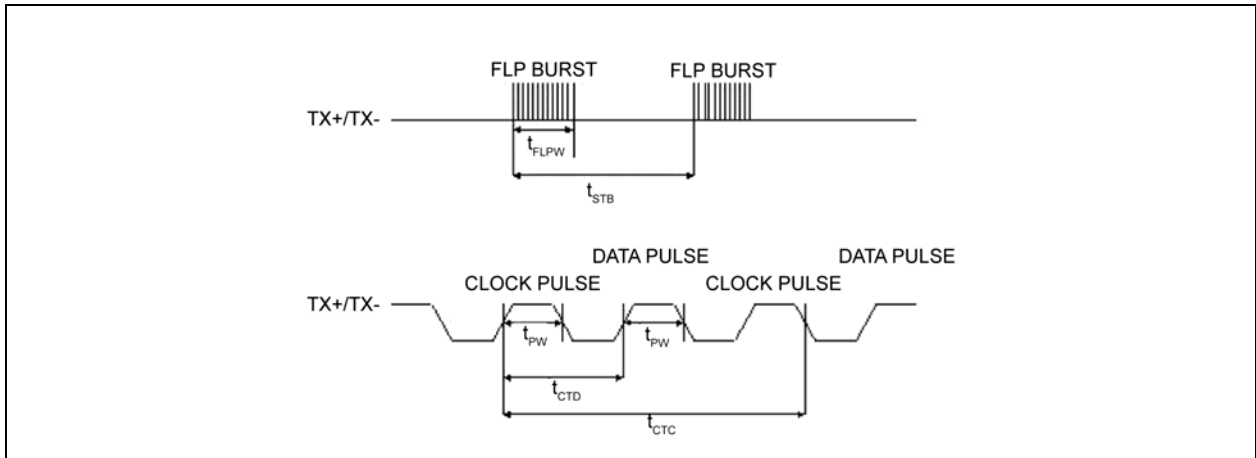


TABLE 6-10: AUTO-NEGOTIATION TIMING VALUES

Symbol	Description	Min	Typ	Max	Units
t_{BTB}	FLP burst to FLP burst	8	16	24	ms
t_{FLPW}	FLP burst width		2		ms
t_{PW}	Clock/Data pulse width		100		ns
t_{CTD}	Clock pulse to data pulse	55.5	64	69.5	μ s
t_{CTC}	Clock pulse to clock pulse	111	128	139	μ s
	Number of clock/data pulses per burst	17		33	

KSZ9897S

6.4.7 POWER-UP AND RESET TIMING

Figure 6-12 illustrates the power-up and reset timing requirements.

FIGURE 6-12: POWER-UP AND RESET TIMING

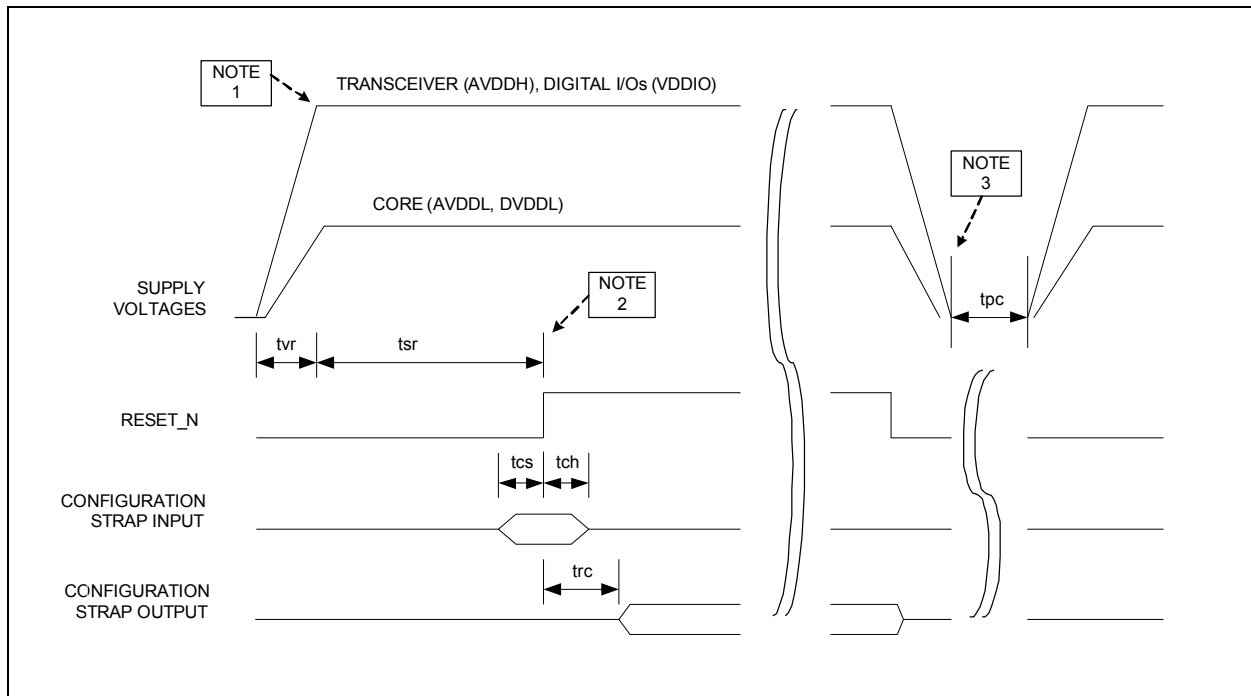


TABLE 6-11: POWER-UP AND RESET TIMING VALUES

Symbol	Description	Min	Typ	Max	Units
tvr	Supply voltage rise time (must be monotonic)	200			μ s
tsr	Stable supply voltages to de-assertion of reset	10			ms
tcs	Configuration strap input setup time	5			ns
tch	Configuration strap input hold time	5			ns
trc	De-assertion of reset to configuration strap pin output	6			ns
tpc	Supply voltages cycle off-to-on time	150			ms

Note 1: The recommended powering sequence is to bring up all voltages at the same time. However, if that cannot be attained, then the recommended power-up sequence is to power-up the transceiver (AVDDH) and digital I/Os (VDDIO) voltages before the low voltage core (AVDDL and DVDDL). There is no power sequence requirement between transceiver (AVDDH) and digital I/Os (VDDIO) power rails. The power-up waveforms should be monotonic for all supply voltages.

Note 2: After the de-assertion of reset, it is recommended to wait a minimum of 100 μ s before starting to program the device through any interface.

Note 3: The recommended power down sequence is to power down the low voltage core before powering down the transceiver and digital I/O voltages, or to have all supplies power down in unison. Before the next power-up cycle, all supply voltages to the device should reach less than 0.4V and there should be a minimum wait time of 150ms from power-off to power-on.

6.5 Clock Specifications

A crystal or external clock source, such as an oscillator, is used to provide a 25MHz reference clock for the KSZ9897S. If an external clock source is used, the **XO** pin must be left floating. Since the **XI/XO** circuit is powered from **AVDDH**, the external clock source should also be powered from the same power rail. [Figure 6-13](#) details the available connection methods. [Table 6-12](#) details the recommended crystal specifications.

FIGURE 6-13: INPUT REFERENCE CLOCK CONNECTION OPTIONS

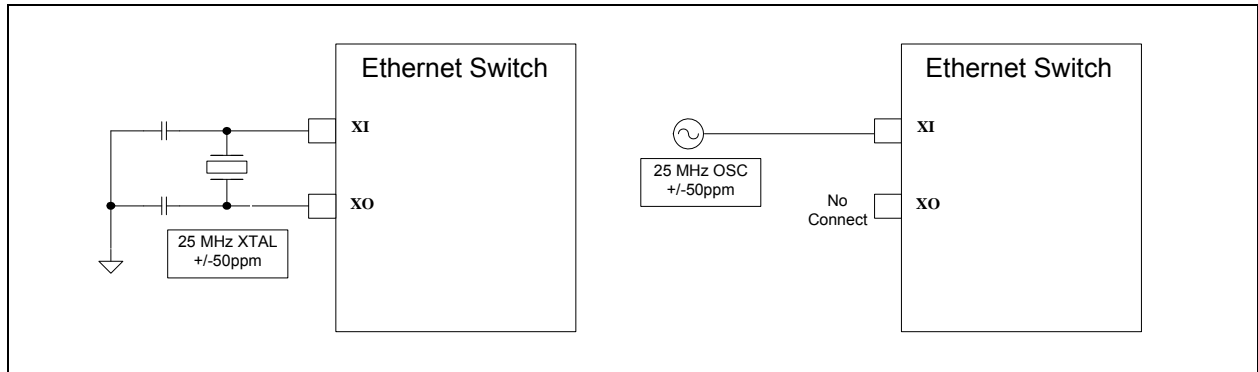


TABLE 6-12: REFERENCE CRYSTAL CHARACTERISTICS

Characteristic	Min	Typ	Max	Units
Oscillation Mode	Fundamental			
Frequency		25		MHz
Frequency tolerance			±50	ppm
Effective Series Resistance (ESR)			50	Ω
Total period jitter (peak-to-peak)			100	ps
Drive level			100	uW

KSZ9897S

7.0 DESIGN GUIDELINES

This section provides general design guidelines for the following:

- [Reset Circuit Guidelines](#)
- [Magnetics Connection and Selection Guidelines](#)

7.1 Reset Circuit Guidelines

Figure 7-1 illustrates the recommended reset circuit for powering up the KSZ9897S if reset is triggered by the power supply.

FIGURE 7-1: SIMPLE RESET CIRCUIT

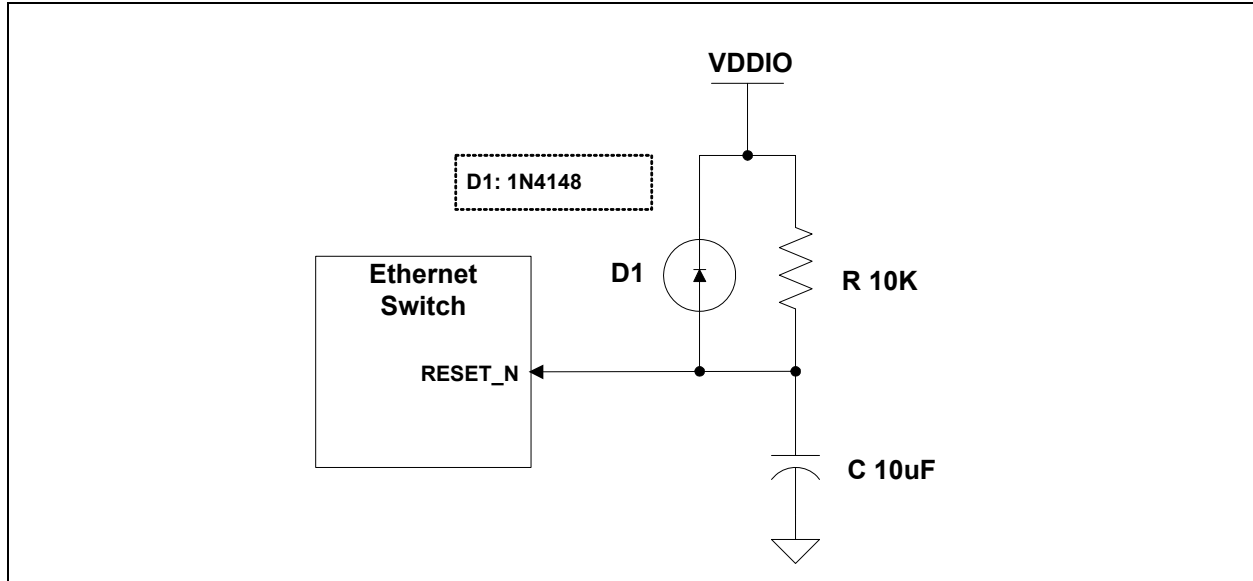
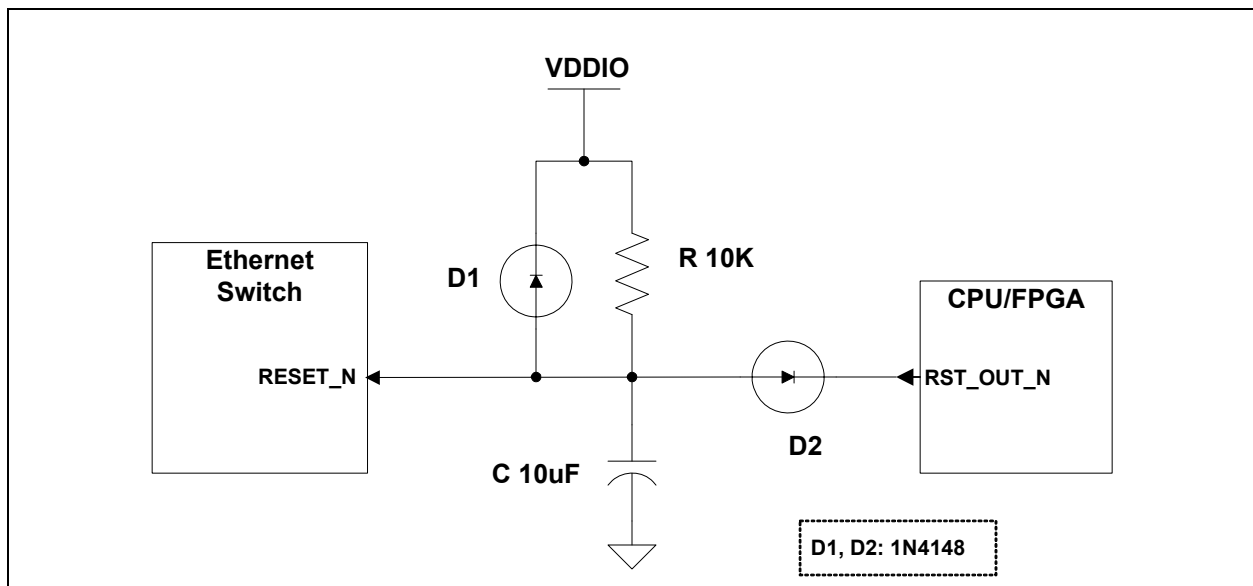


Figure 7-2 illustrates a reset circuit recommended for applications where reset is driven by another device, such as a CPU. At power-on reset, R, C and D1 provide the necessary ramp rise time to reset the KSZ9897S. The RST_OUT_N from the CPU provides a warm reset after power-up.

FIGURE 7-2: RESET CIRCUIT FOR CPU RESET INTERFACE



7.2 Magnetics Connection and Selection Guidelines

A 1:1 isolation transformer is required at the line interface. For designs exceeding FCC requirements, utilize one with integrated common-mode chokes. An optional auto-transformer stage following the chokes provides additional common-mode noise and signal attenuation.

The KSZ9897S PHY port design incorporates voltage-mode transmit drivers and on-chip terminations. With the voltage-mode implementation, the transmit drivers supply the common-mode voltages to the four differential pairs. Therefore, the four transformer center tap pins on the KSZ9897S chip side should not be connected to any power supply source on the board; rather, the center tap pins should be separated from one another and connected through separate 0.1µF common-mode capacitors to ground. Separation is required because the common-mode voltage could be different between the differential pairs, depending on the connected speed mode.

Figure 7-3 details a typical magnetic interface circuit for the KSZ9897S PHY port.

FIGURE 7-3: TYPICAL MAGNETIC INTERFACE CIRCUIT

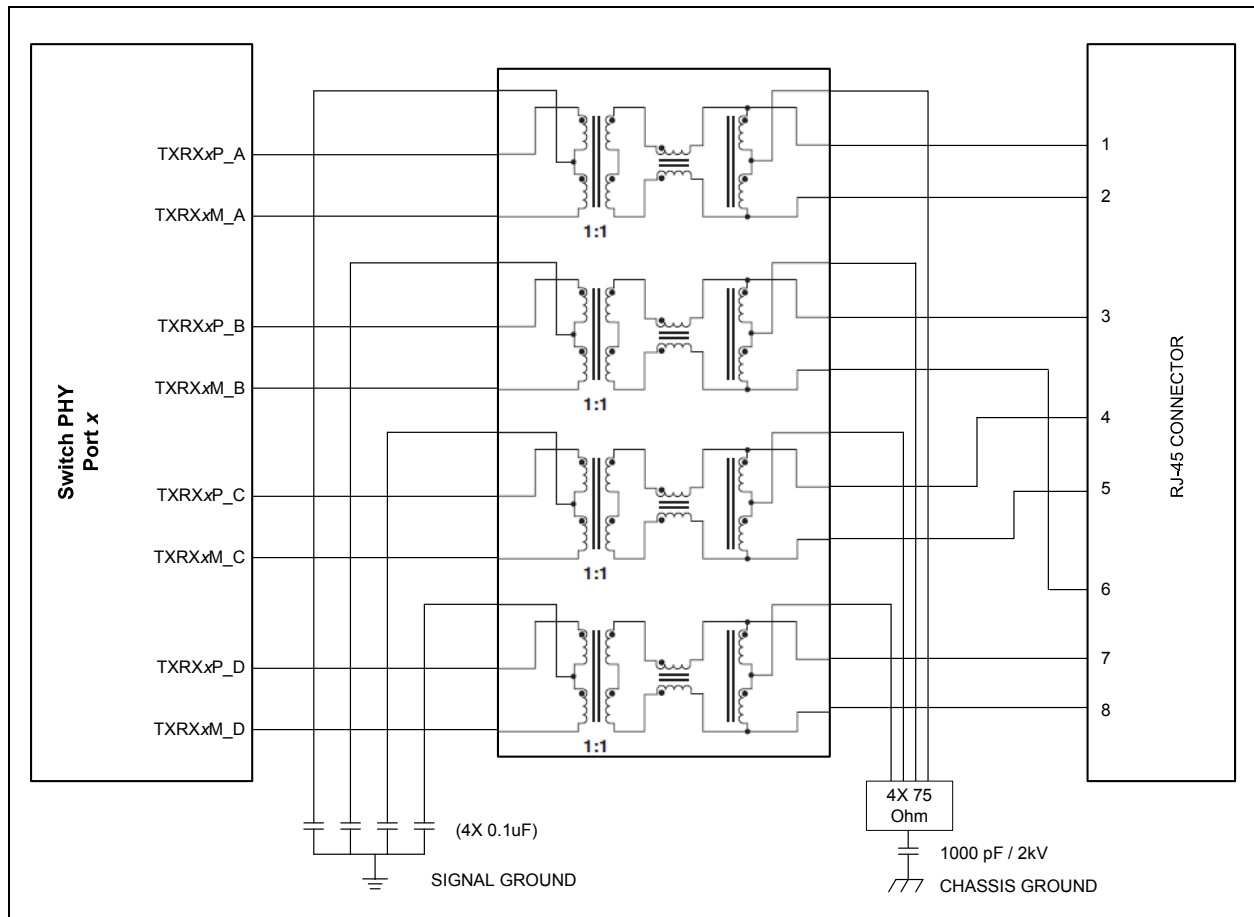


Table 7-1 provides a list of recommended magnetic characteristics.

TABLE 7-1: MAGNETICS SELECTION CRITERIA

Parameter	Value	Test Condition
Turns ratio	1 CT : 1 CT	
Open-circuit inductance (min.)	350µH	100mV, 100KHz, 8mA
Insertion loss (typ.)	1.0dB	100KHz to 100MHz
HIPOT (min.)	1500vrms	

KSZ9897S

Table 7-2 provides a list of KSZ9897S compatible single-port magnetics with separated transformer center tap pins on the Gigabit PHY chip side.

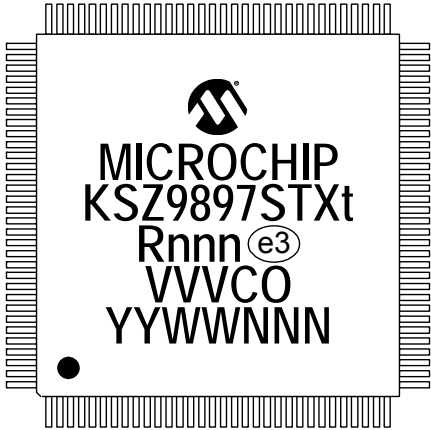
TABLE 7-2: COMPATIBLE SINGLE-PORT 10/100/1000 MAGNETICS

Manufacturer	Part Number	Auto-Transformer	Temperature Range	Magnetic + RJ-45
Bel Fuse	0826-1G1T-23-F	Yes	0°C to 70°C	Yes
HALO	TG1G-E001NZRL	No	-40°C to 85°C	No
HALO	TG1G-S001NZRL	No	0°C to 70°C	No
HALO	TG1G-S002NZRL	Yes	0°C to 70°C	No
Pulse	H5007NL	Yes	0°C to 70°C	No
Pulse	H5062NL	Yes	0°C to 70°C	No
Pulse	HX5008NL	Yes	-40°C to 85°C	No
Pulse	JK0654219NL	Yes	0°C to 70°C	Yes
Pulse	JK0-0136NL	No	0°C to 70°C	Yes
TDK	TLA-7T101LF	No	0°C to 70°C	No
Würth/Midcom	000-7093-37R-LF1	Yes	0°C to 70°C	No

8.0 PACKAGE INFORMATION

8.1 Package Marking Information

128-TQFP-EP



MICROCHIP
KSZ9897STXt
Rnnn (e3)
VVCO
YYWWNNN

Legend:	t	Temperature range designator (C = commercial, I = industrial)
	R	Product revision
	nnn	Internal code
	e3	Pb-free JEDEC® designator for Matte Tin (Sn)
	VVV	Plant assembly
	CO	Country of origin
	YY	Year code (last two digits of calendar year)
	WW	Week code (week of January 1 is week '01')
	NNN	Alphanumeric traceability code

Note: In the event the full Microchip part number cannot be marked on one line, it will be carried over to the next line, thus limiting the number of available characters for customer-specific information.

* Standard device marking consists of Microchip part number, year code, week code and traceability code. For device marking beyond this, certain price adders apply. Please check with your Microchip Sales Office. For QTP devices, any special marking adders are included in QTP price.

APPENDIX A: DATA SHEET REVISION HISTORY

TABLE A-1: REVISION HISTORY

Revision	Section/Figure/Entry	Correction
DS00002394A (03-06-17)	Initial Document Release	

KSZ9897S

THE MICROCHIP WEB SITE

Microchip provides online support via our WWW site at www.microchip.com. This web site is used as a means to make files and information easily available to customers. Accessible by using your favorite Internet browser, the web site contains the following information:

- **Product Support** – Data sheets and errata, application notes and sample programs, design resources, user's guides and hardware support documents, latest software releases and archived software
- **General Technical Support** – Frequently Asked Questions (FAQ), technical support requests, online discussion groups, Microchip consultant program member listing
- **Business of Microchip** – Product selector and ordering guides, latest Microchip press releases, listing of seminars and events, listings of Microchip sales offices, distributors and factory representatives

CUSTOMER CHANGE NOTIFICATION SERVICE

Microchip's customer notification service helps keep customers current on Microchip products. Subscribers will receive e-mail notification whenever there are changes, updates, revisions or errata related to a specified product family or development tool of interest.

To register, access the Microchip web site at www.microchip.com. Under "Support", click on "Customer Change Notification" and follow the registration instructions.

CUSTOMER SUPPORT

Users of Microchip products can receive assistance through several channels:

- Distributor or Representative
- Local Sales Office
- Field Application Engineer (FAE)
- Technical Support

Customers should contact their distributor, representative or field application engineer (FAE) for support. Local sales offices are also available to help customers. A listing of sales offices and locations is included in the back of this document.

Technical support is available through the web site at: <http://www.microchip.com/support>

PRODUCT IDENTIFICATION SYSTEM

To order or obtain information, e.g., on pricing or delivery, refer to the factory or the listed sales office.

<u>PART NO.</u>	<u>XX</u>	<u>X</u>	<u>[XX]</u> ⁽¹⁾
Device	Package	Temp. Range	Tape & Reel Option
Device:	KSZ9897S = 7-Port Switch with 1 SGMII, 1 RGMII/MII/RMII		
Package:	TX = 128-pin TQFP-EP		
Temperature Range:	C = 0°C to +70°C (Commercial) I = -40°C to +85°C (Industrial)		
Tape and Reel Option:	Blank = Standard packaging (tray) -TR = Tape and Reel (Note 1)		

Examples:

- a) KSZ9897STXC
128-pin TQFP-EP package,
Commercial temperature,
Standard packaging
- b) KSZ9897STXI-TR
128-pin TQFP-EP package,
Industrial temperature,
Tape and reel

Note 1: Tape and Reel identifier only appears in the catalog part number description. This identifier is used for ordering purposes and is not printed on the device package. Check with your Microchip Sales Office for package availability with the Tape and Reel option.

KSZ9897S

Note the following details of the code protection feature on Microchip devices:

- Microchip products meet the specification contained in their particular Microchip Data Sheet.
- Microchip believes that its family of products is one of the most secure families of its kind on the market today, when used in the intended manner and under normal conditions.
- There are dishonest and possibly illegal methods used to breach the code protection feature. All of these methods, to our knowledge, require using the Microchip products in a manner outside the operating specifications contained in Microchip's Data Sheets. Most likely, the person doing so is engaged in theft of intellectual property.
- Microchip is willing to work with the customer who is concerned about the integrity of their code.
- Neither Microchip nor any other semiconductor manufacturer can guarantee the security of their code. Code protection does not mean that we are guaranteeing the product as “unbreakable.”

Code protection is constantly evolving. We at Microchip are committed to continuously improving the code protection features of our products. Attempts to break Microchip's code protection feature may be a violation of the Digital Millennium Copyright Act. If such acts allow unauthorized access to your software or other copyrighted work, you may have a right to sue for relief under that Act.

Information contained in this publication regarding device applications and the like is provided only for your convenience and may be superseded by updates. It is your responsibility to ensure that your application meets with your specifications. MICROCHIP MAKES NO REPRESENTATIONS OR WARRANTIES OF ANY KIND WHETHER EXPRESS OR IMPLIED, WRITTEN OR ORAL, STATUTORY OR OTHERWISE, RELATED TO THE INFORMATION, INCLUDING BUT NOT LIMITED TO ITS CONDITION, QUALITY, PERFORMANCE, MERCHANTABILITY OR FITNESS FOR PURPOSE. Microchip disclaims all liability arising from this information and its use. Use of Microchip devices in life support and/or safety applications is entirely at the buyer's risk, and the buyer agrees to defend, indemnify and hold harmless Microchip from any and all damages, claims, suits, or expenses resulting from such use. No licenses are conveyed, implicitly or otherwise, under any Microchip intellectual property rights unless otherwise stated.

Trademarks

The Microchip name and logo, the Microchip logo, AnyRate, AVR, AVR logo, AVR Freaks, BeaconThings, BitCloud, CryptoMemory, CryptoRF, dsPIC, FlashFlex, flexPWR, Heldo, JukeBlox, KEELoQ, KEELoQ logo, Kleer, LANCheck, LINK MD, maXStylus, maXTouch, MediaLB, megaAVR, MOST, MOST logo, MPLAB, OptoLyzzer, PIC, picoPower, PICSTART, PIC32 logo, Prochip Designer, QTouch, RightTouch, SAM-BA, SpyNIC, SST, SST Logo, SuperFlash, tinyAVR, UNI/O, and XMEGA are registered trademarks of Microchip Technology Incorporated in the U.S.A. and other countries.

ClockWorks, The Embedded Control Solutions Company, EtherSynch, Hyper Speed Control, HyperLight Load, IntelliMOS, mTouch, Precision Edge, and Quiet-Wire are registered trademarks of Microchip Technology Incorporated in the U.S.A.

Adjacent Key Suppression, AKS, Analog-for-the-Digital Age, Any Capacitor, AnyIn, AnyOut, BodyCom, chipKIT, chipKIT logo, CodeGuard, CryptoAuthentication, CryptoCompanion, CryptoController, dsPICDEM, dsPICDEM.net, Dynamic Average Matching, DAM, ECAN, EtherGREEN, In-Circuit Serial Programming, ICSP, Inter-Chip Connectivity, JitterBlocker, KleerNet, KleerNet logo, Mindi, MiWi, motorBench, MPASM, MPF, MPLAB Certified logo, MPLIB, MPLINK, MultiTRAK, NetDetach, Omniscient Code Generation, PICDEM, PICDEM.net, PICkit, PICtail, PureSilicon, QMatrix, RightTouch logo, REAL ICE, Ripple Blocker, SAM-ICE, Serial Quad I/O, SMART-I.S., SQI, SuperSwitcher, SuperSwitcher II, Total Endurance, TSHARC, USBCheck, VariSense, ViewSpan, WiperLock, Wireless DNA, and ZENA are trademarks of Microchip Technology Incorporated in the U.S.A. and other countries.

SQTP is a service mark of Microchip Technology Incorporated in the U.S.A.

Silicon Storage Technology is a registered trademark of Microchip Technology Inc. in other countries.

GestIC is a registered trademark of Microchip Technology Germany II GmbH & Co. KG, a subsidiary of Microchip Technology Inc., in other countries.

All other trademarks mentioned herein are property of their respective companies.

© 2017, Microchip Technology Incorporated, All Rights Reserved.

ISBN: 9781522414483

QUALITY MANAGEMENT SYSTEM
CERTIFIED BY DNV
== ISO/TS 16949 ==

Microchip received ISO/TS-16949:2009 certification for its worldwide headquarters, design and wafer fabrication facilities in Chandler and Tempe, Arizona; Gresham, Oregon and design centers in California and India. The Company's quality system processes and procedures are for its PIC® MCUs and dsPIC® DSCs, KEELoQ® code hopping devices, Serial EEPROMs, microperipherals, nonvolatile memory and analog products. In addition, Microchip's quality system for the design and manufacture of development systems is ISO 9001:2000 certified.



MICROCHIP

Worldwide Sales and Service

AMERICAS

Corporate Office
2355 West Chandler Blvd.
Chandler, AZ 85224-6199
Tel: 480-792-7200
Fax: 480-792-7277
Technical Support:
<http://www.microchip.com/support>
Web Address:
www.microchip.com

Atlanta
Duluth, GA
Tel: 678-957-9614
Fax: 678-957-1455

Austin, TX
Tel: 512-257-3370

Boston
Westborough, MA
Tel: 774-760-0087
Fax: 774-760-0088

Chicago
Itasca, IL
Tel: 630-285-0071
Fax: 630-285-0075

Dallas
Addison, TX
Tel: 972-818-7423
Fax: 972-818-2924

Detroit
Novi, MI
Tel: 248-848-4000

Houston, TX
Tel: 281-894-5983

Indianapolis
Noblesville, IN
Tel: 317-773-8323
Fax: 317-773-5453
Tel: 317-536-2380

Los Angeles
Mission Viejo, CA
Tel: 949-462-9523
Fax: 949-462-9608
Tel: 951-273-7800

Raleigh, NC
Tel: 919-844-7510

New York, NY
Tel: 631-435-6000

San Jose, CA
Tel: 408-735-9110
Tel: 408-436-4270

Canada - Toronto
Tel: 905-695-1980
Fax: 905-695-2078

ASIA/PACIFIC

Asia Pacific Office
Suites 3707-14, 37th Floor
Tower 6, The Gateway
Harbour City, Kowloon

Hong Kong
Tel: 852-2943-5100
Fax: 852-2401-3431

Australia - Sydney
Tel: 61-2-9868-6733
Fax: 61-2-9868-6755

China - Beijing
Tel: 86-10-8569-7000
Fax: 86-10-8528-2104

China - Chengdu
Tel: 86-28-8665-5511
Fax: 86-28-8665-7889

China - Chongqing
Tel: 86-23-8980-9588
Fax: 86-23-8980-9500

China - Dongguan
Tel: 86-769-8702-9880

China - Guangzhou
Tel: 86-20-8755-8029

China - Hangzhou
Tel: 86-571-8792-8115
Fax: 86-571-8792-8116

China - Hong Kong SAR
Tel: 852-2943-5100
Fax: 852-2401-3431

China - Nanjing
Tel: 86-25-8473-2460
Fax: 86-25-8473-2470

China - Qingdao
Tel: 86-532-8502-7355
Fax: 86-532-8502-7205

China - Shanghai
Tel: 86-21-3326-8000
Fax: 86-21-3326-8021

China - Shenyang
Tel: 86-24-2334-2829
Fax: 86-24-2334-2393

China - Shenzhen
Tel: 86-755-8864-2200
Fax: 86-755-8203-1760

China - Wuhan
Tel: 86-27-5980-5300
Fax: 86-27-5980-5118

China - Xian
Tel: 86-29-8833-7252
Fax: 86-29-8833-7256

ASIA/PACIFIC

China - Xiamen
Tel: 86-592-2388138
Fax: 86-592-2388130

China - Zhuhai
Tel: 86-756-3210040
Fax: 86-756-3210049

India - Bangalore
Tel: 91-80-3090-4444
Fax: 91-80-3090-4123

India - New Delhi
Tel: 91-11-4160-8631
Fax: 91-11-4160-8632

India - Pune
Tel: 91-20-3019-1500

Japan - Osaka
Tel: 81-6-6152-7160
Fax: 81-6-6152-9310

Japan - Tokyo
Tel: 81-3-6880-3770
Fax: 81-3-6880-3771

Korea - Daegu
Tel: 82-53-744-4301
Fax: 82-53-744-4302

Korea - Seoul
Tel: 82-2-554-7200
Fax: 82-2-558-5932 or
82-2-558-5934

Malaysia - Kuala Lumpur
Tel: 60-3-6201-9857
Fax: 60-3-6201-9859

Malaysia - Penang
Tel: 60-4-227-8870
Fax: 60-4-227-4068

Philippines - Manila
Tel: 63-2-634-9065
Fax: 63-2-634-9069

Singapore
Tel: 65-6334-8870
Fax: 65-6334-8850

Taiwan - Hsin Chu
Tel: 886-3-5778-366
Fax: 886-3-5770-955

Taiwan - Kaohsiung
Tel: 886-7-213-7830

Taiwan - Taipei
Tel: 886-2-2508-8600
Fax: 886-2-2508-0102

Thailand - Bangkok
Tel: 66-2-694-1351
Fax: 66-2-694-1350

EUROPE

Austria - Wels
Tel: 43-7242-2244-39
Fax: 43-7242-2244-393

Denmark - Copenhagen
Tel: 45-4450-2828
Fax: 45-4485-2829

Finland - Espoo
Tel: 358-9-4520-820

France - Paris
Tel: 33-1-69-53-63-20
Fax: 33-1-69-30-90-79

France - Saint Cloud
Tel: 33-1-30-60-70-00

Germany - Garching
Tel: 49-8931-9700

Germany - Haan
Tel: 49-2129-3766400

Germany - Heilbronn
Tel: 49-7131-67-3636

Germany - Karlsruhe
Tel: 49-721-625370

Germany - Munich
Tel: 49-89-627-144-0
Fax: 49-89-627-144-44

Germany - Rosenheim
Tel: 49-8031-354-560

Israel - Ra'anana
Tel: 972-9-744-7705

Italy - Milan
Tel: 39-0331-742611
Fax: 39-0331-466781

Italy - Padova
Tel: 39-049-7625286

Netherlands - Drunen
Tel: 31-416-690399
Fax: 31-416-690340

Norway - Trondheim
Tel: 47-7289-7561

Poland - Warsaw
Tel: 48-22-3325737

Romania - Bucharest
Tel: 40-21-407-87-50

Spain - Madrid
Tel: 34-91-708-08-90
Fax: 34-91-708-08-91

Sweden - Gothenberg
Tel: 46-31-704-60-40

Sweden - Stockholm
Tel: 46-8-5090-4654

UK - Wokingham
Tel: 44-118-921-5800
Fax: 44-118-921-5820

Mouser Electronics

Authorized Distributor

Click to View Pricing, Inventory, Delivery & Lifecycle Information:

[Microchip:](#)

[KSZ9897STXI](#) [KSZ9897STXC](#) [KSZ9897STXC-TR](#) [KSZ9897STXI-TR](#)

Компания «Океан Электроники» предлагает заключение долгосрочных отношений при поставках импортных электронных компонентов на взаимовыгодных условиях!

Наши преимущества:

- Поставка оригинальных импортных электронных компонентов напрямую с производств Америки, Европы и Азии, а так же с крупнейших складов мира;
- Широкая линейка поставок активных и пассивных импортных электронных компонентов (более 30 млн. наименований);
- Поставка сложных, дефицитных, либо снятых с производства позиций;
- Оперативные сроки поставки под заказ (от 5 рабочих дней);
- Экспресс доставка в любую точку России;
- Помощь Конструкторского Отдела и консультации квалифицированных инженеров;
- Техническая поддержка проекта, помощь в подборе аналогов, поставка прототипов;
- Поставка электронных компонентов под контролем ВП;
- Система менеджмента качества сертифицирована по Международному стандарту ISO 9001;
- При необходимости вся продукция военного и аэрокосмического назначения проходит испытания и сертификацию в лаборатории (по согласованию с заказчиком);
- Поставка специализированных компонентов военного и аэрокосмического уровня качества (Xilinx, Altera, Analog Devices, Intersil, Interpoint, Microsemi, Actel, Aeroflex, Peregrine, VPT, Syfer, Eurofarad, Texas Instruments, MS Kennedy, Miteq, Cobham, E2V, MA-COM, Hittite, Mini-Circuits, General Dynamics и др.);

Компания «Океан Электроники» является официальным дистрибьютором и эксклюзивным представителем в России одного из крупнейших производителей разъемов военного и аэрокосмического назначения «JONHON», а так же официальным дистрибьютором и эксклюзивным представителем в России производителя высокотехнологичных и надежных решений для передачи СВЧ сигналов «FORSTAR».



JONHON

«JONHON» (основан в 1970 г.)

Разъемы специального, военного и аэрокосмического назначения:

(Применяются в военной, авиационной, аэрокосмической, морской, железнодорожной, горно- и нефтедобывающей отраслях промышленности)

«FORSTAR» (основан в 1998 г.)

ВЧ соединители, коаксиальные кабели, кабельные сборки и микроволновые компоненты:

(Применяются в телекоммуникациях гражданского и специального назначения, в средствах связи, РЛС, а так же военной, авиационной и аэрокосмической отраслях промышленности).



Телефон: 8 (812) 309-75-97 (многоканальный)

Факс: 8 (812) 320-03-32

Электронная почта: ocean@oceanchips.ru

Web: <http://oceanchips.ru/>

Адрес: 198099, г. Санкт-Петербург, ул. Калинина, д. 2, корп. 4, лит. А