

6-Channel White LED Driver for up to 72 LEDs



BD6592MUV

General Description

BD6592MUV is white LED driver IC with PWM step-up DC/DC converter that can boost max 42.5V and current driver that can drive max 40mA. The wide and precision brightness can be controlled by external PWM pulse. BD6592MUV has very accurate current drivers, and it has few current errors between each strings. So, it will be helpful to reduce brightness spots on the LCD. Small package type is suited for saving space.

Features

- High efficiency PWM step-up DC/DC converter (fsw=1MHz), max efficiency 93%
- High accuracy & good matching ($\pm 3\%$) current drivers 6ch
- Drive up to 12^{*} in series, 6 strings in parallel =72 white LEDs (* white LED Vf=3.5Vmax)
- Rich safety functions
 - Over-voltage protection (OVP)
 - Over current limit
 - External SBD open detect
 - Thermal shutdown

Key Specifications

- Operating power supply voltage range: 2.7V to 22.0V
- LED maximum current: 40mA (Max.)
- Quiescent Current 1: 0.6 μ A (Typ.)
- Quiescent Current 2: 4.6 μ A (Typ.)
- Switching Frequency: 1.0MHz(Typ.)
- Operating temperature range: -30 to +85

Package

W(Typ.) x D(Typ.) x H(Max.)



VQFN024V4040
4.00mm x 4.00mm x 1.00mm

Figure 1.

Applications

All middle size LCD equipments backlight of Notebook PC, portable DVD player, car navigation systems, etc.

Typical Application Circuit (10 series x 6parallel)

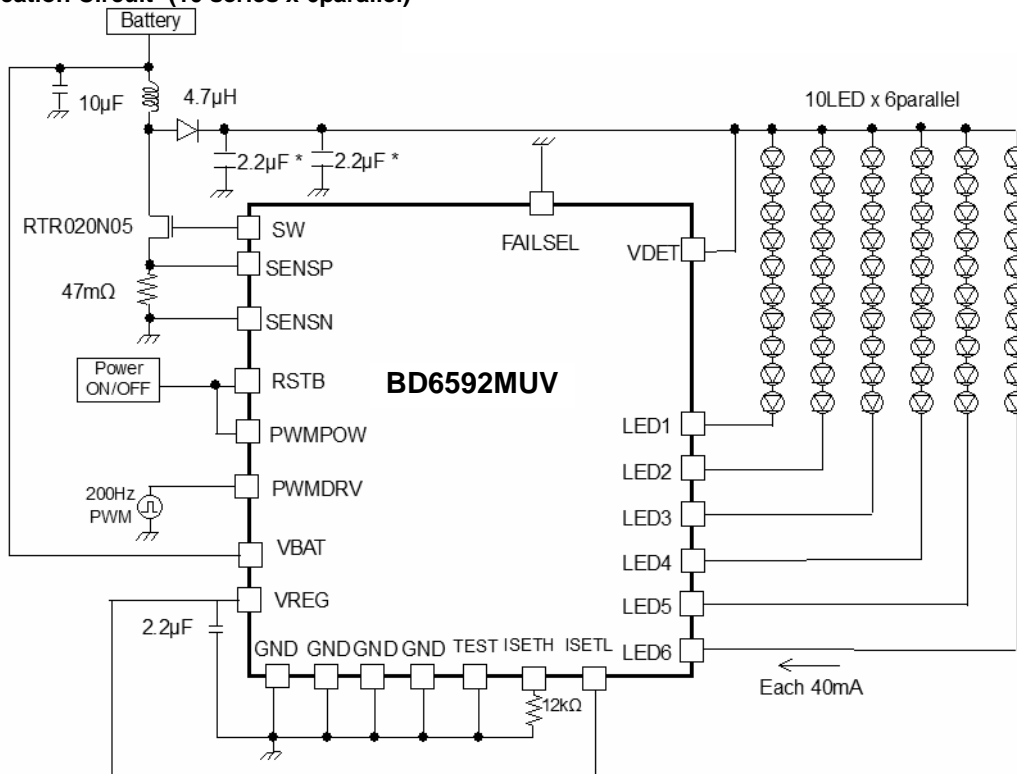


Figure 2 Typical Application Circuit

Product structure : Silicon monolithic integrated circuit This product is not designed protection against radioactive rays

Absolute Maximum Ratings (Ta=25)

| Parameter | Symbol | Ratings | Unit | Condition |
|-----------------------------|--------|-------------|------|---|
| Terminal voltage 1 | VMAX1 | 7 | V | TEST, VREG, SENSP, SENSN, SW, RSTB, PWMPOW, PWMDRV, FAILSEL, ISETH, ISETL |
| Terminal voltage 2 | VMAX2 | 25 | V | LED1, LED2, LED3, LED4, LED5, LED6, VBAT |
| Terminal voltage 3 | VMAX3 | 50.5 | V | VDET |
| Power dissipation 1 | Pd1 | 500 | mW | *1 |
| Power dissipation 2 | Pd2 | 780 | mW | *2 |
| Power dissipation 3 | Pd3 | 1510 | mW | *3 |
| Operating temperature range | Topr | -30 to +85 | | |
| Storage temperature range | Tstg | -55 to +150 | | |

*1 Reduced 4.0mW/ With Ta>25 when not mounted on a heat radiation Board.

*2 1 layer (ROHM Standard board) has been mounted. Copper foil area 0mm², When it's used by more than Ta=25 , it's reduced by 6.2mW/ .

*3 4 layer (JEDEC Compliant board) has been mounted.

Copper foil area 1layer 6.28mm², Copper foil area 2 to 4layers 5655.04mm², When it's used by more than Ta=25 , it's reduced by 12.1mW/ .

Recommended Operating Rating (Ta=-30 to +85)

| Parameter | Symbol | Ratings | | | Unit | Condition |
|------------------|--------|---------|------|------|------|-----------|
| | | Min. | Typ. | Max. | | |
| Terminal voltage | VBAT | 2.7 | 12.0 | 22.0 | V | |

Electrical Characteristics (Unless otherwise specified, VBAT=12V, RSTB=2.5V, Ta = +25)

| Parameter | Symbol | Limits | | | Unit | Condition |
|----------------------------------|--------|--------|------|------|------|---|
| | | Min. | Typ. | Max. | | |
| [FAILSEL,PWMDRV Terminal] | | | | | | |
| EN threshold voltage (Low) | VthL | 0 | - | 0.2 | V | |
| EN threshold voltage (High) 1 | VthH1 | 1.4 | - | 5.0 | V | VBAT>5.0V |
| EN threshold voltage (High) 2 | VthH2 | 1.4 | - | VBAT | V | VBAT<5.0V |
| EN terminal input current | Iin | - | 8.3 | 14.0 | μA | Input=2.5V |
| [PWMPOW Terminal] | | | | | | |
| Low Input Voltage range | PWML | 0 | - | 0.2 | V | |
| High Input Voltage range1 | PWMH1 | 1.4 | - | 5.0 | V | VBAT>5.0V |
| High Input Voltage range2 | PWMH2 | 1.4 | - | VBAT | V | VBAT<5.0V |
| PWM pull down resistor | PWMR | 300 | 500 | 700 | kΩ | |
| [RSTB Terminal] | | | | | | |
| Low Input Voltage range | RSTBL | 0 | - | 0.2 | V | |
| High Input Voltage range1 | RSTBH1 | 2.25 | 2.5 | 5.0 | V | VBAT>5.0V |
| High Input Voltage range2 | RSTBH2 | 2.25 | 2.5 | VBAT | V | VBAT<5.0V |
| Current Consumption | IRSTB | - | 89 | 134 | μA | RSTB=2.5V, LED1-6=3V |
| [Regulator] | | | | | | |
| VREG Voltage | VREG | 4.0 | 5.0 | 6.0 | V | No load |
| Under Voltage Lock Out | UVLO | 2.05 | 2.25 | 2.65 | V | |
| [Switching Regulator] | | | | | | |
| Quiescent Current 1 | Iq1 | - | 0.6 | 3.4 | μA | RSTB=0V, VBAT=12V |
| Quiescent Current 2 | Iq2 | - | 4.6 | 10 | μA | RSTB=0V, VBAT=22V |
| Current Consumption | Idd | - | 3.4 | 5.1 | mA | VDET=0V,ISETH=24kΩ |
| LED Control voltage | VLED | 0.4 | 0.5 | 0.6 | V | |
| Over Current Limit voltage | Ocp | 70 | 100 | 130 | mV | This parameter is tested with DC measurement. |
| SBD Open Protect | Sop | - | - | 0.1 | V | Detect voltage of VDET pin |
| Switching frequency | fSW | 0.8 | 1.0 | 1.2 | MHz | |
| Duty cycle limit | Duty | 92.5 | 95.0 | 99.0 | % | LED1-6=0.3V |
| Over voltage limit | Ovl | 43.0 | 44.7 | 46.4 | V | LED1-6=0.3V |

Electrical Characteristics

(Unless otherwise specified, VBAT=12V, RSTB=2.5V, Ta = +25)

| Parameter | Symbol | Limits | | | Unit | Condition |
|-----------------------------------|--------|--------|------|------|------|--|
| | | Min. | Typ. | Max. | | |
| [Current driver] | | | | | | |
| LED maximum current | ILMAX | - | - | 40 | mA | |
| LED current accuracy | ILACCU | - | - | ±5 | % | I _{LED} =30mA |
| LED current matching | ILMAT | - | - | ±3 | % | ▪Each LED current/Average (LED1- 6) ▪I _{LED} =30mA |
| ISET voltage | Iset | 0.5 | 0.6 | 0.7 | V | |
| LED Terminal Over Voltage Protect | LEDOVP | 10.0 | 11.5 | 13.0 | V | RSTB=PWM DRV=2.5V |

Pin Descriptions

| PIN Name | In/Out | PIN number | Function | Terminal equivalent circuit diagram |
|----------|-------------|------------|--|-------------------------------------|
| 1 | VDET | In | Detect input for SBD open and OVP | C |
| 2 | N.C. | - | No connect pin | F |
| 3 | GND | - | GND | B |
| 4 | SW | Out | Switching Tr drive terminal | G |
| 5 | SENSP | In | + Side Current sense terminal | G |
| 6 | TEST | In | TEST input (Pull down 100kΩ to GND) | G |
| 7 | SENSN | In | - Side Current sense terminal | A |
| 8 | GND | - | GND | B |
| 9 | ISETH | In | Resistor connection for LED current setting at PWM DRV=H | A |
| 10 | ISETL | In | Resistor connection for LED current setting at PWM DRV=L | A |
| 11 | PWM DRV | In | PWM input pin for power ON/OFF only driver | E |
| 12 | LED1 | In | Current sink for LED1 | C |
| 13 | LED2 | In | Current sink for LED2 | C |
| 14 | LED3 | In | Current sink for LED3 | C |
| 15 | GND | - | GND | B |
| 16 | LED4 | In | Current sink for LED4 | C |
| 17 | LED5 | In | Current sink for LED5 | C |
| 18 | LED6 | In | Current sink for LED6 | C |
| 19 | FAILSEL | In | Latch selectable pin of protect function | E |
| 20 | GND | - | GND | B |
| 21 | RSTB | In | Reset pin L :Reset H :Reset cancel | E |
| 22 | VREG | Out | Regulator output / Internal power-supply | D |
| 23 | PWM POW | In | PWM input pin for power ON/OFF | E |
| 24 | VBAT | In | Battery input | C |
| - | Thermal PAD | - | Heat radiation PAD of back side Connect to GND | - |

Pin ESD Type

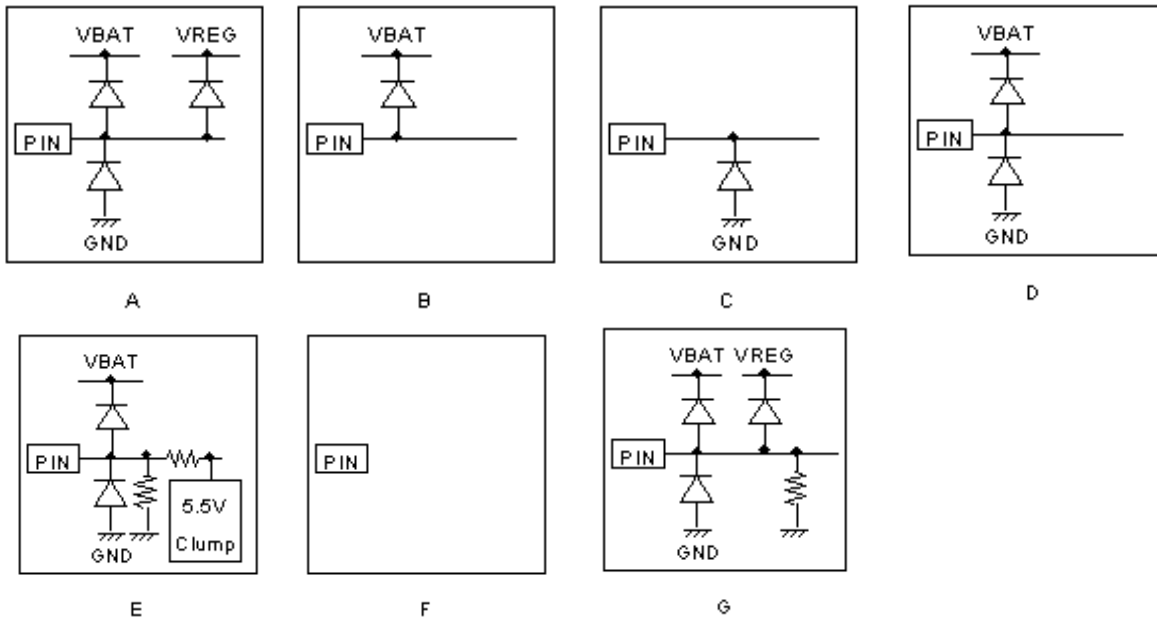
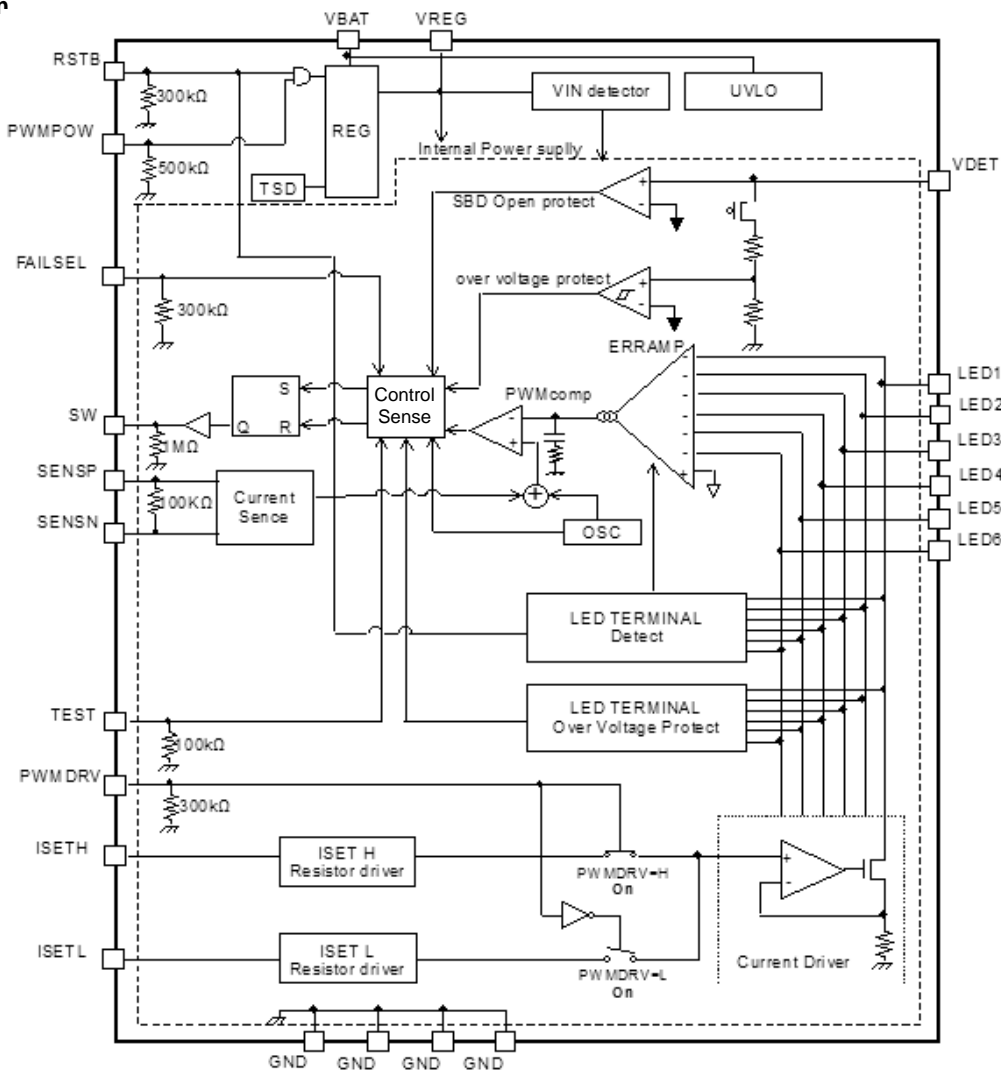


Figure 3. I/O Equivalent Circuit Diagram

Block Diagram



Pin number 23pin
Figure 4. Block diagram

Typical Performance Curves

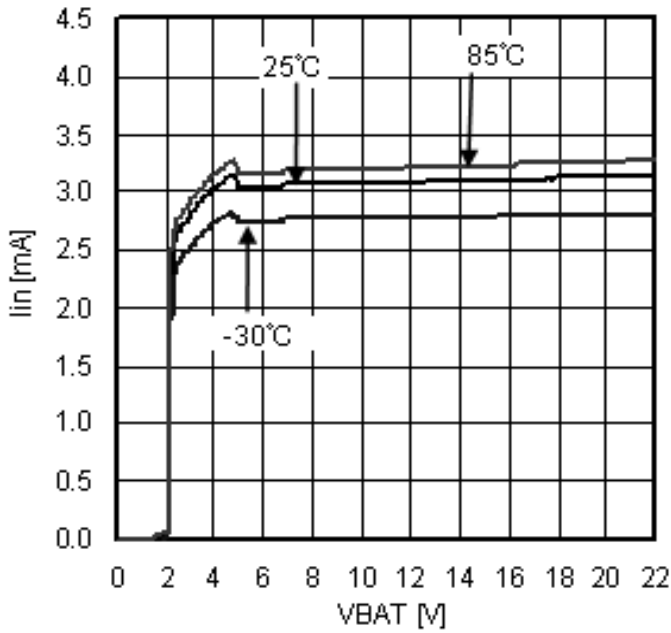


Figure 5.
Current Consumption - VBAT

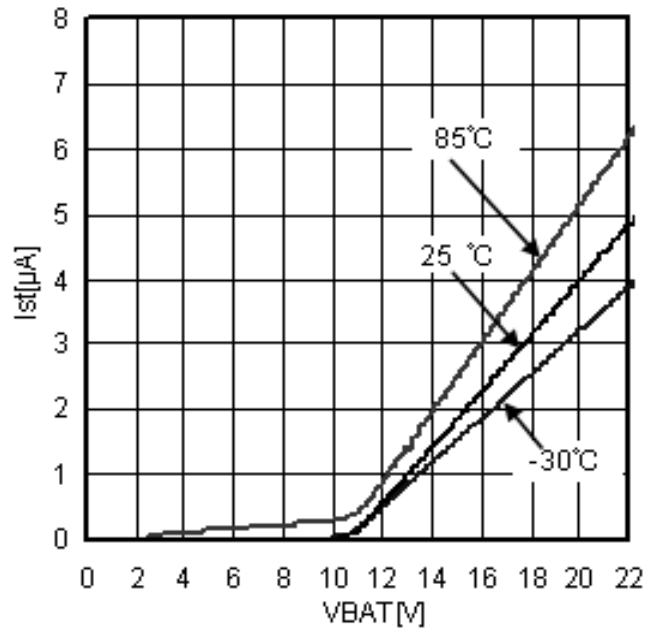


Figure 6.
Quiescent current - VBAT

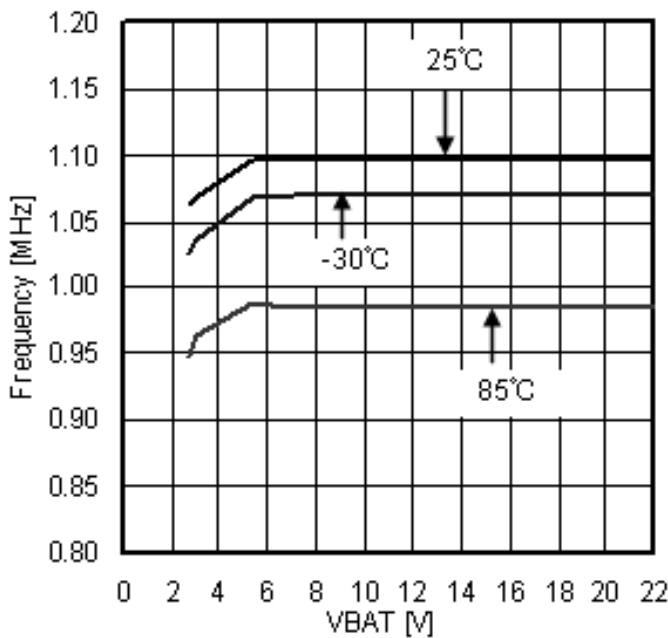


Figure 7.
Oscillation frequency - VBAT

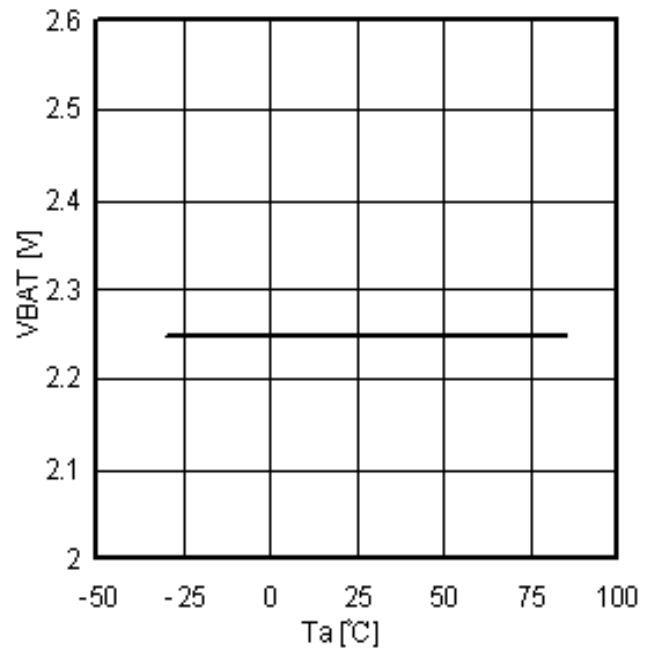


Figure 8.
UVLO - Temperature

Typical Performance Curves - continued

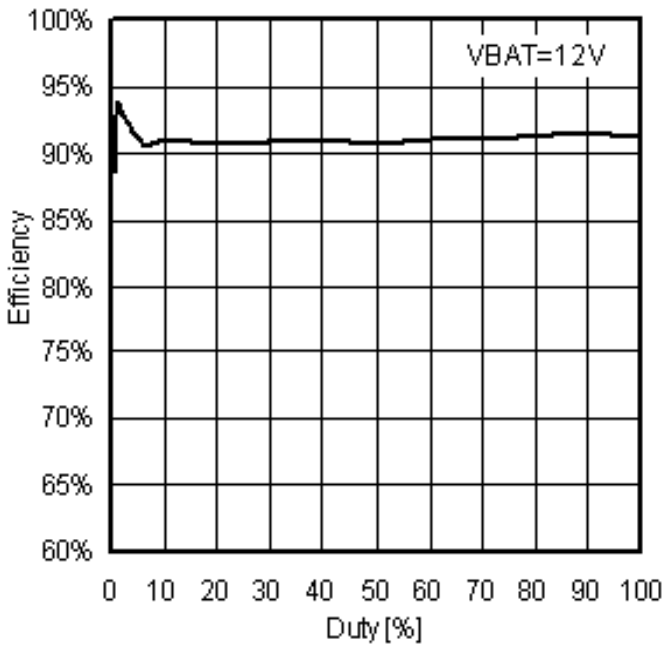


Figure 9.
Efficiency - PWMPOW-HI Duty
I_{SETH}=24kΩ, PWM=200Hz

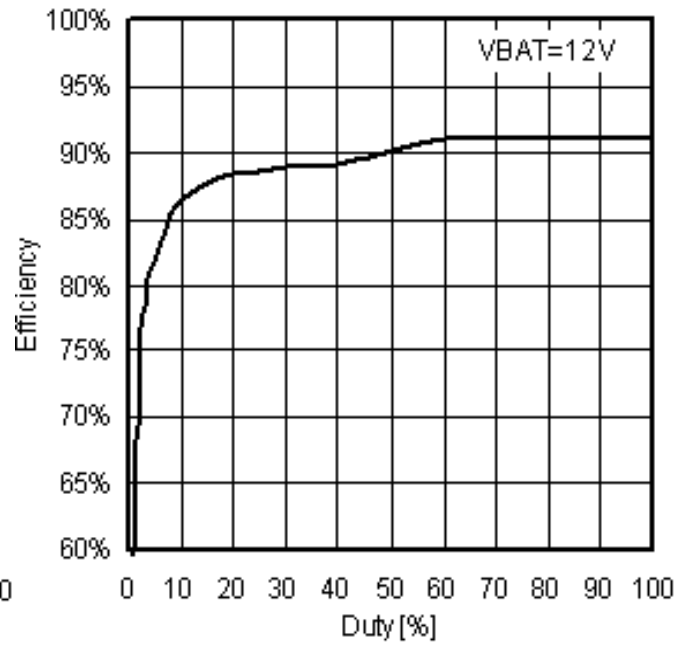


Figure 10.
Efficiency - PWMDRV-HI Duty
I_{SETH}=24kΩ, PWM=200Hz

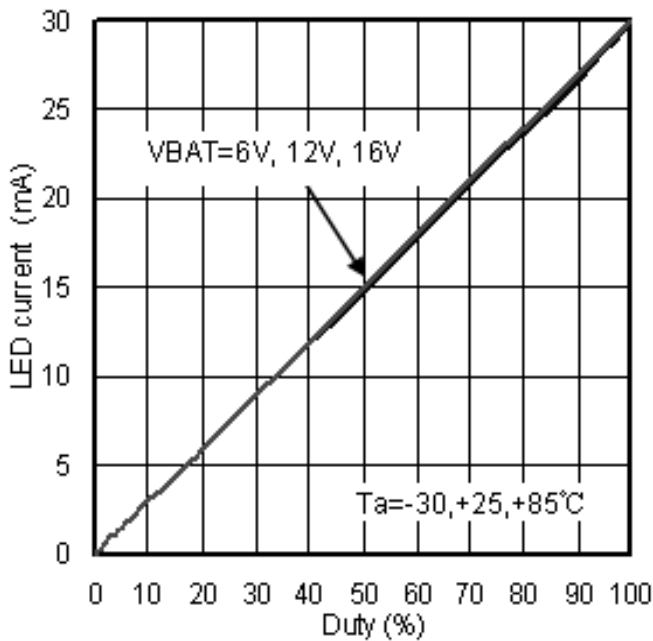


Figure 11.
LED current - PWMDRV-HI Duty
PWM = 200Hz

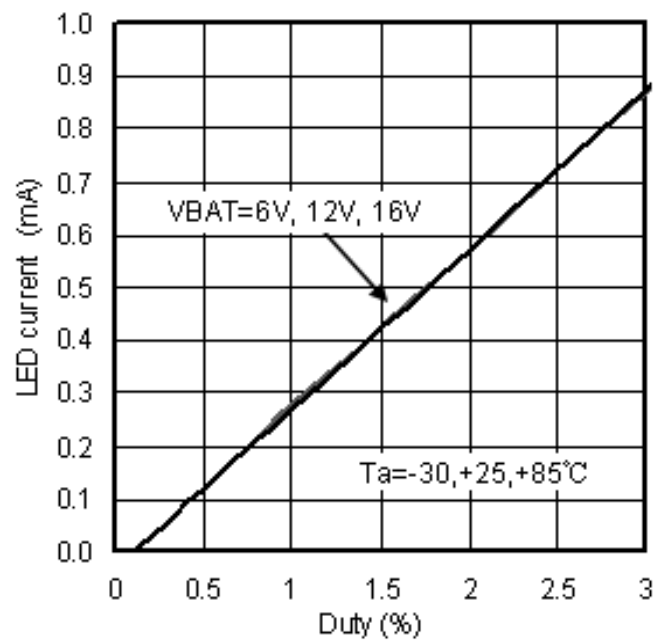


Figure 12.
LED current - PWMDRV-HI Duty
(Expansion) PWM = 200Hz

Typical Performance Curves - continued

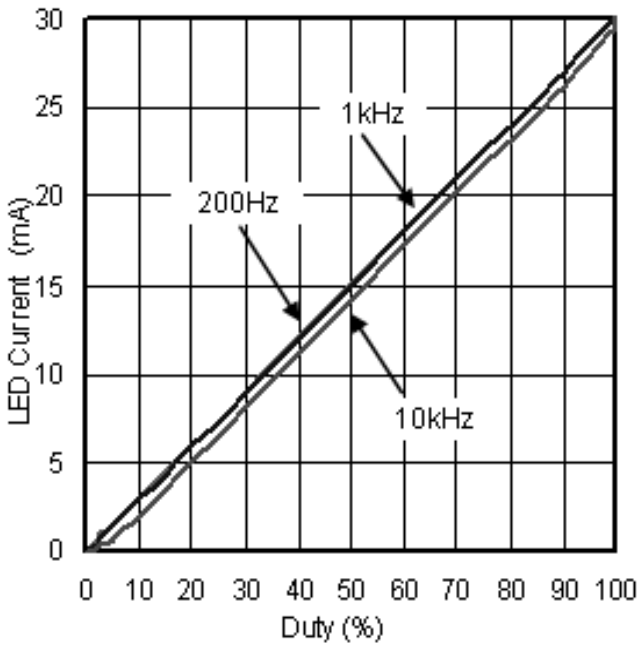


Figure 13.
LED current - PWMDRV-HI Duty
PWM = 200Hz, 1 kHz, 10 kHz

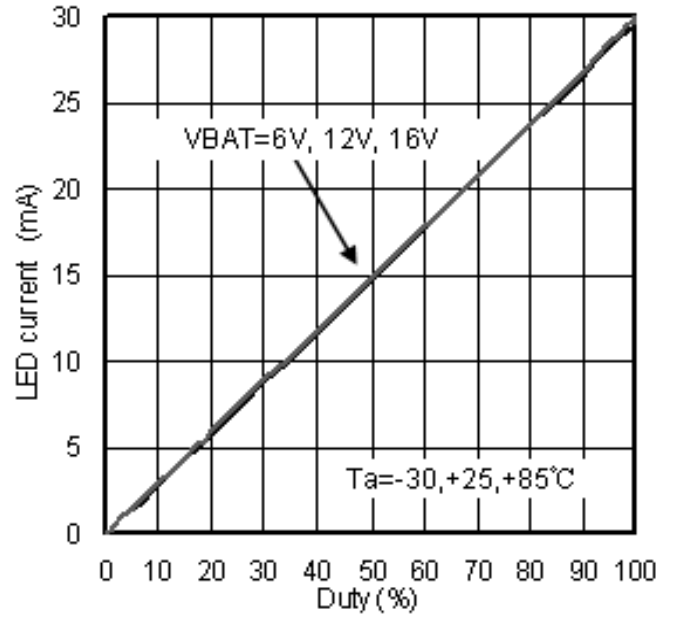


Figure 14.
LED current - PWMPOW-HI Duty
PWM = 200Hz

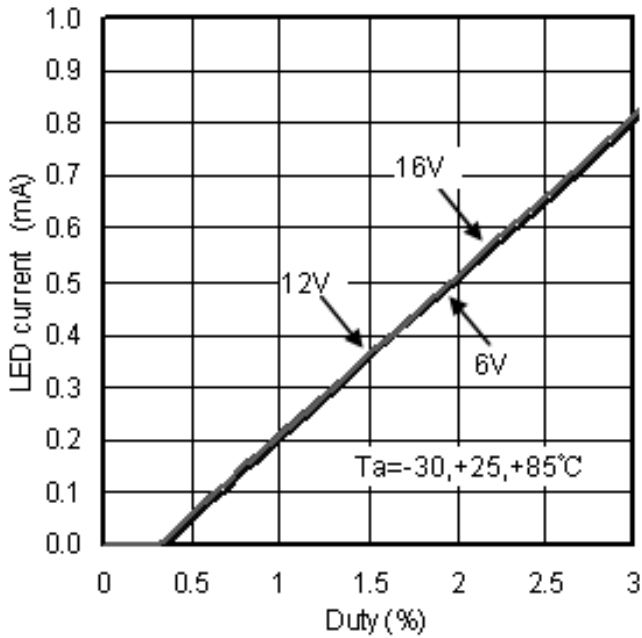


Figure 15.
LED current - PWMPOW-HI Duty
(Expansion) PWM = 200Hz

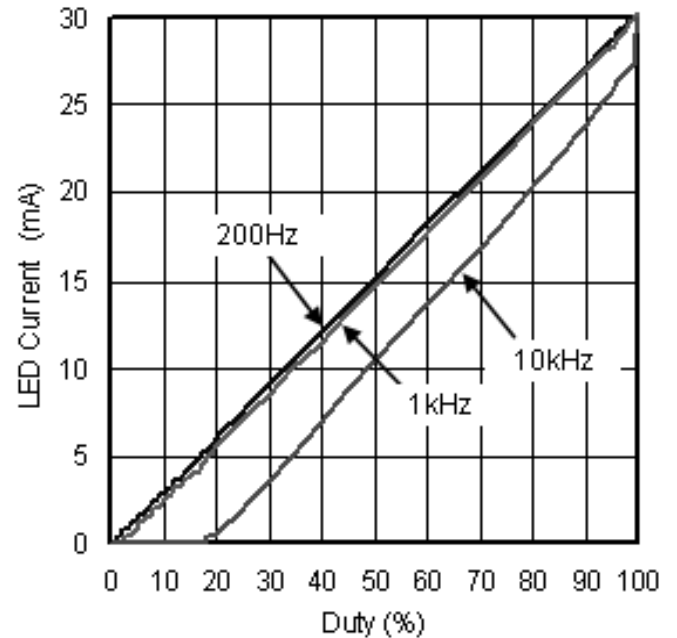


Figure 16.
LED current - PWMPOW-HI Duty
PWM = 200Hz, 1 kHz, 10 kHz

Typical Performance Curves - continued

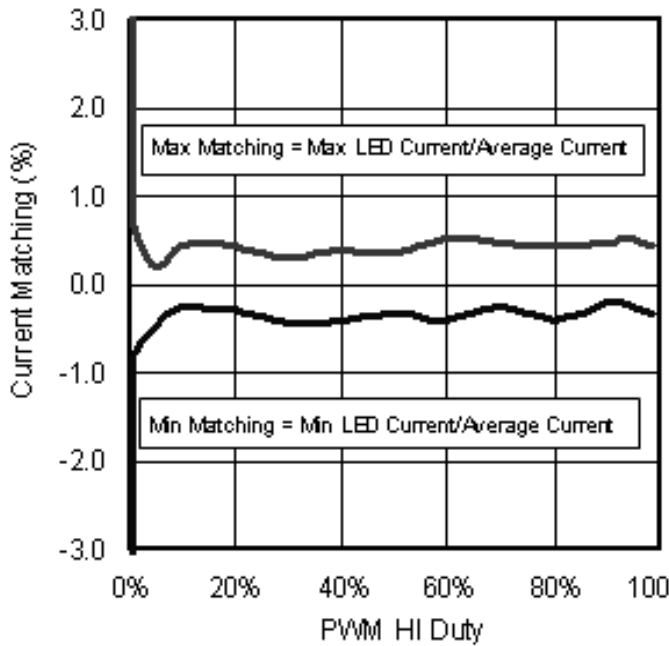


Figure 17.
LED current matching - PWMDRV-HI Duty
PWM = 200Hz

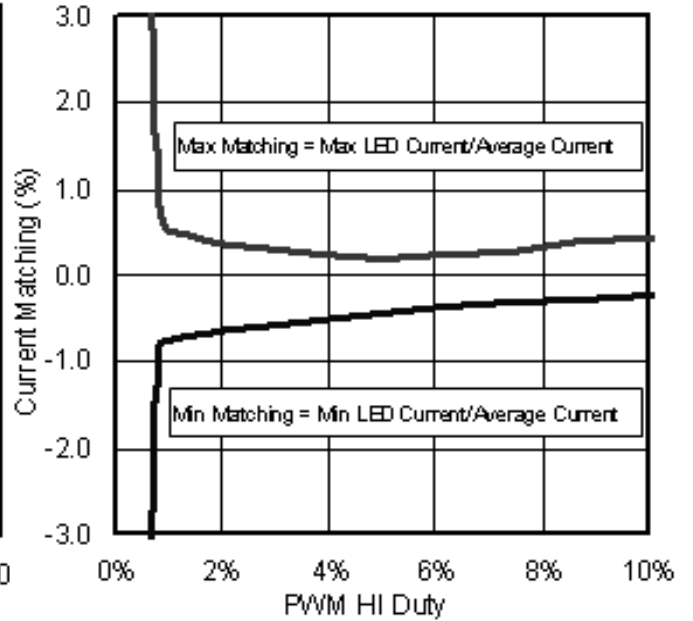


Figure 18.
LED current matching - PWMDRV-HI Duty
(Expansion) PWM = 200Hz

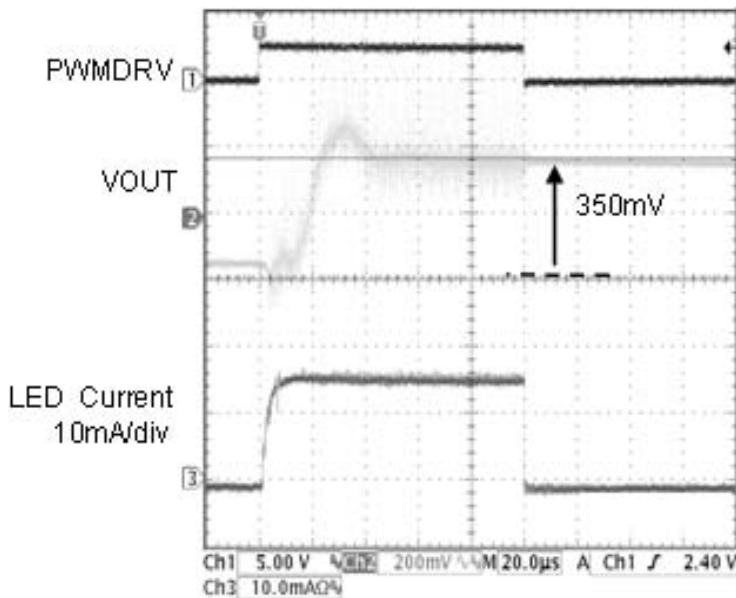


Figure 19.
VOUT response
Driver Control PWM (PWMDRV)

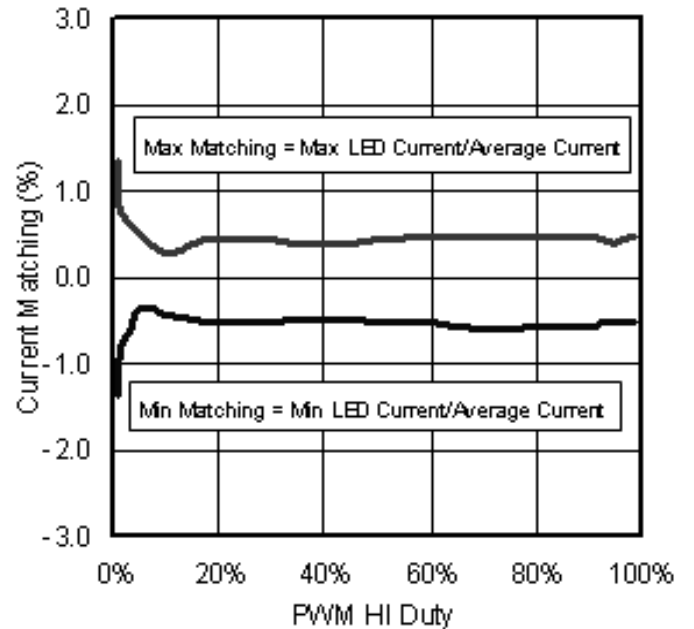


Figure 20.
LED current matching - PWMPow-HI Duty
PWM = 200Hz

Typical Performance Curves - continued

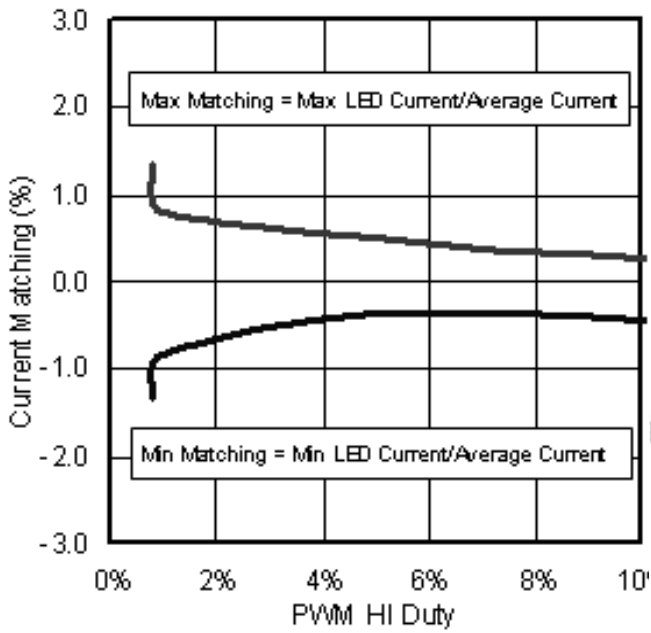


Figure 21.
LED current matching - PWMPow-HI Duty
(Expansion) PWM = 200Hz

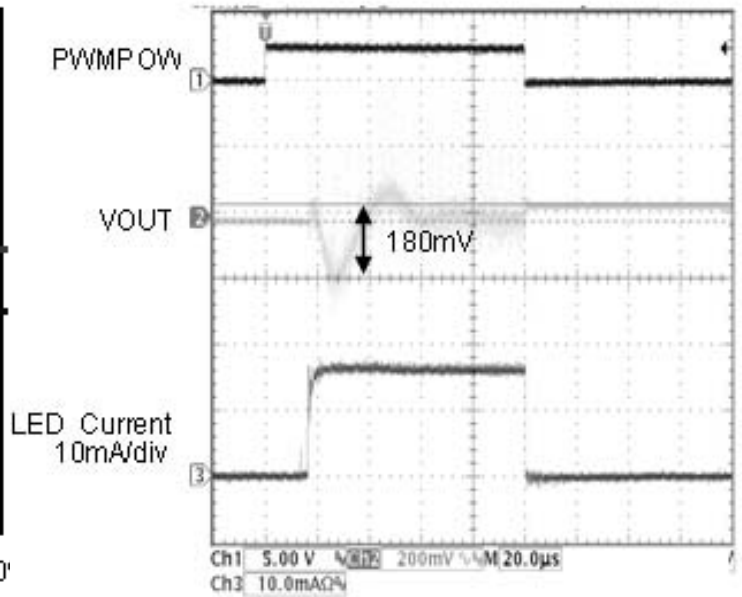


Figure 22.
VOUT response
Power Control PWM (PWMPow)

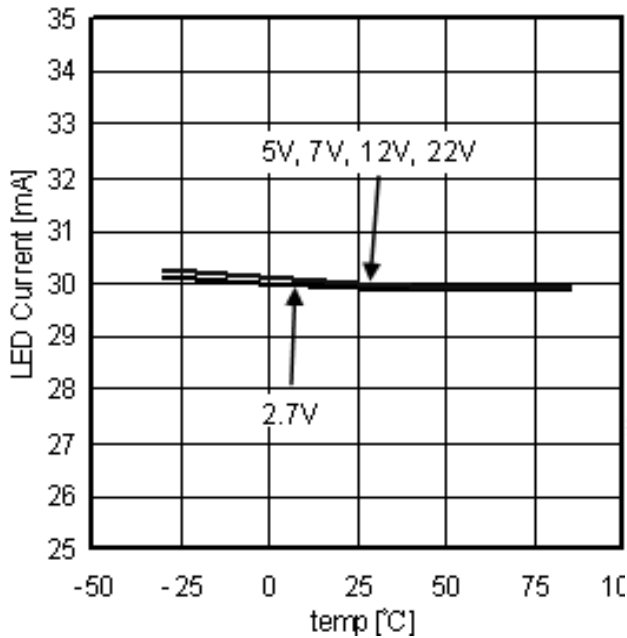


Figure 23.
LED current - Temperature
PWMDRV=H, ISETH=30kΩ (16mA setting)

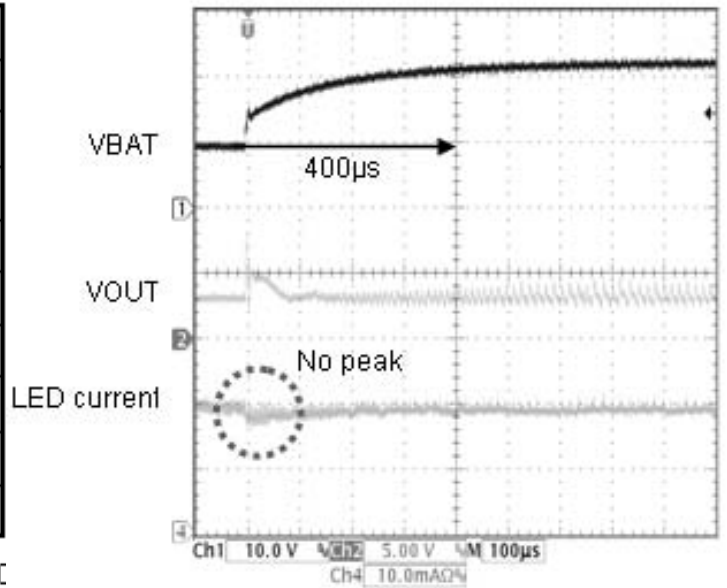


Figure 24.
Line Transient (10V to 22V)

Typical Performance Curves - continued

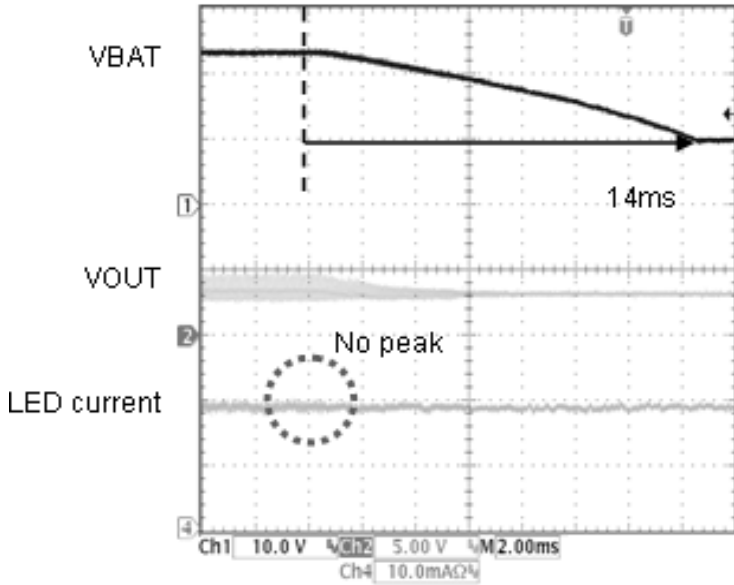


Figure 25.
Line Transient (22V to 10V)

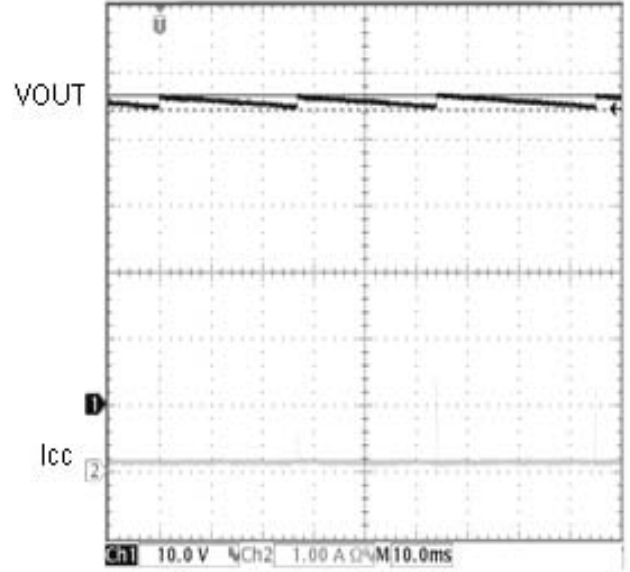


Figure 26.
VOUT@OVP (LED OPEN)

Application Example

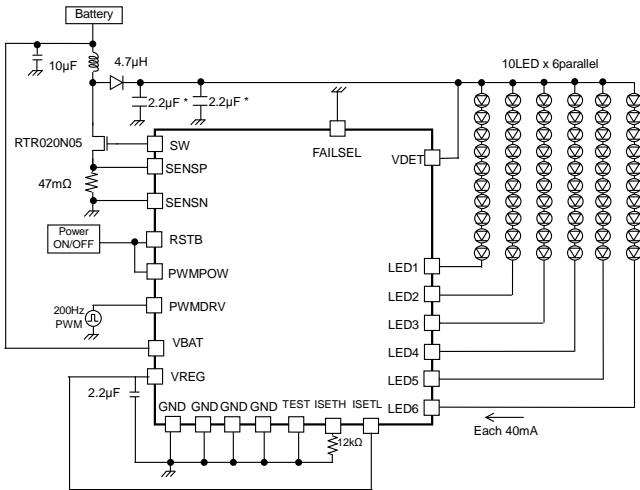


Figure 27. 10 series x 6parallel
Hi current 40mA setting
Current driver PWM application

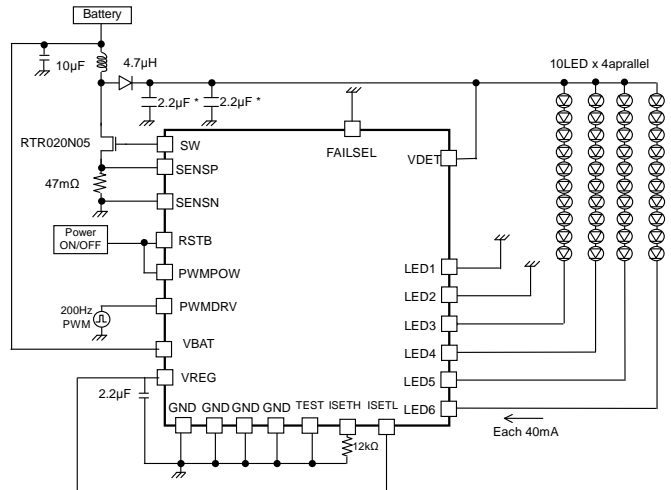


Figure 28. 10 series x 4parallel
Hi current 40mA setting
Current driver PWM application

* Please select the capacitor which the little bias fluctuation.

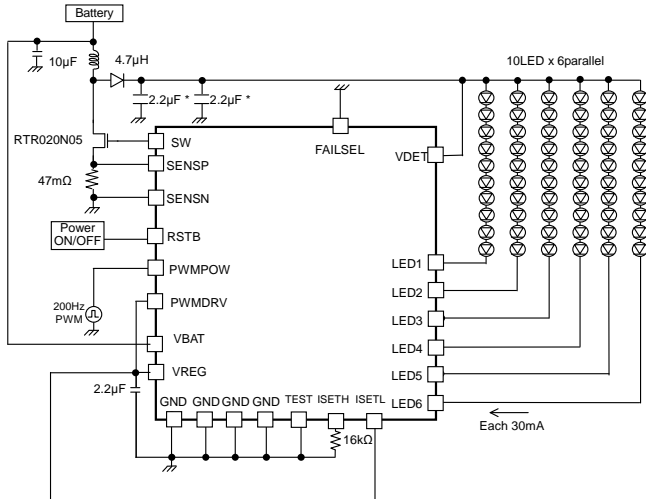


Figure 29. 10 series x 6parallel LED current 30mA setting
Power control PWM application

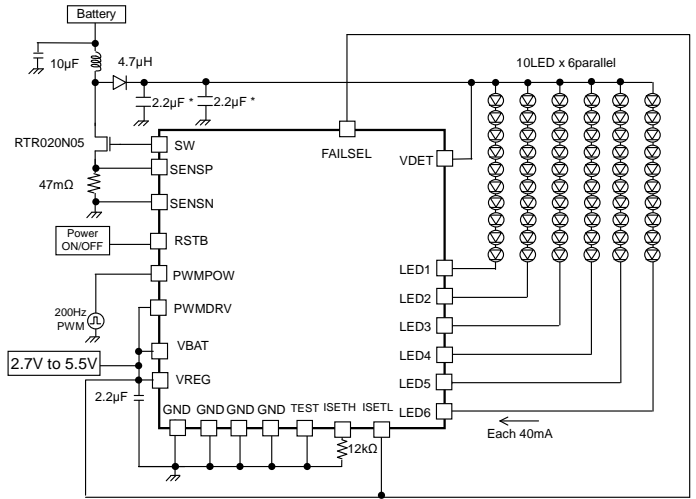


Figure 30. Non-used Inside REG
or operating under 5V application

* Please select the capacitor which the little bias fluctuation.

Terminal Processing

TEST pin= Connect to GND

N.C. = Nothing specified in particular. Open is recommended.

VREG= When IC is driving from the outside of 2.7 to 5.5V, short VBAT and VREG, and put the voltage to VREG

FAILSEL, PWMDRV= Connect to GND in case of fixing at L level. Connect to VREG of IC or the power supply of more than 1.4V in case of fixing at H level .

LED1-6= When each LED driver are not used, connect to GND of IC

GND = Each GND is connecting inside IC, but, connect to GND of all board

RSTB= RSTB is used as a power supply of internal circuit.

So, you mustn't input RSTB voltage with pull up resistor of several kΩ. And, please care about the relation between VBAT and RSTB enough. (ref. Page 14)

Description of Functions

1) PWM current mode DC/DC converter

While BD6592MUV is power ON, the lowest voltage of LED1, 2, 3, 4, 5, 6 is detected, PWM duty is decided to be 0.5V and output voltage is kept invariably. As for the inputs of the PWM comparator as the feature of the PWM current mode, one is overlapped with error components from the error amplifier, and the other is overlapped with a current sense signal that controls the inductor current into Slope waveform to prevent sub harmonic oscillation. This output controls external Nch Tr via the RS latch. In the period where external Nch Tr gate is ON, energy is accumulated in the external inductor, and in the period where external Nch Tr gate is OFF, energy is transferred to the output capacitor via external SBD. BD6592MUV has many safety functions, and their detection signals stop switching operation at once.

2) Soft start

BD6592MUV has soft start function.

The soft start function prevents large coil current.

Rush current at turning on is prevented by the soft start function.

After RSTB is changed L → H, when PWMPOW is changed L → H, soft start becomes effective for within 1ms and soft start doesn't become effective even if PWMPOW is changed L → H after that.

And, when the H section of PWMPOW is within 1ms, soft start becomes invalid when PWMPOW is input to H more than three times. The invalid of the soft start can be canceled by making RSTB → L.

3) FAILSEL pin

When the error condition occurs, boost operating is stopped by the protection function, and the error condition is avoided. On that occasion, the way to stop of boost operating by the protection function can be selected with FAILSEL pin. Details are as shown in Figure 31, Figure 32.

After power ON, when the protection function is operating under about 1ms have passed, the stop state of the boost operating can be held through FAILSEL is H, the stop state can reset through RSTB is L.

And, boost operating is stopped when the protection function is operating through FAILSEL is L, but when the protection function becomes un-detect, boost operating is started again. It never keeps holding the stop state of boost operating.

**In PWM control by PWMDRV can't use this function.
When it is off over 10ms on PWM control by PWMPOW using this function, it may be stopped the boost operating as over current protection work at off on PWMPOW=L.**

Object of protect function is as shown below.

- Over-voltage protection
- External SBD open detect
- Thermal shutdown
- LED terminal over-voltage protection
- Over current limit

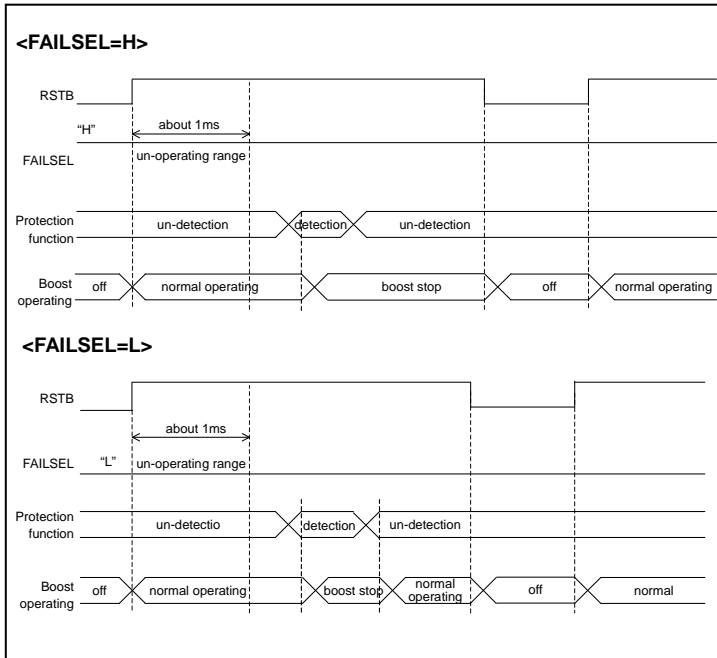


Figure 31. FAILSEL operating description

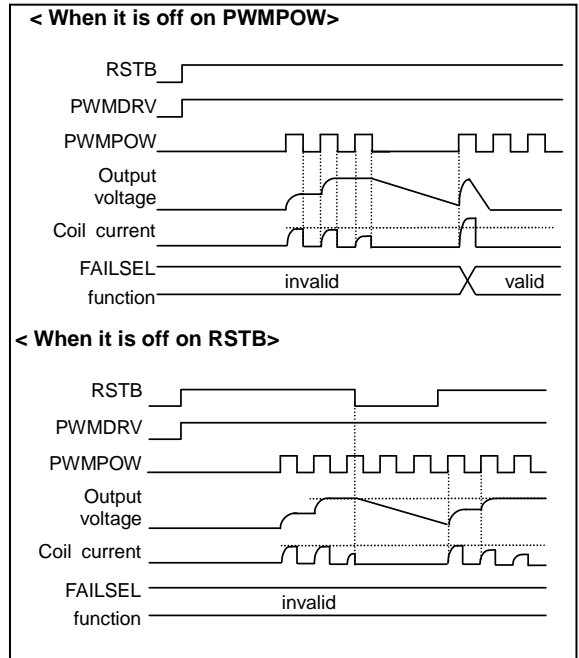


Figure 32. FAILSEL=H light off control

4) External SBD open detect and over voltage protection

BD6592MUV has over boost protection by external SBD open and over voltage protection. It detects VDET voltage and is stopped output Tr in abnormal condition. Details are as shown below.

▪ External SBD open detect

In the case of external SBD is not connected to IC, the coil or external Tr may be destructed. Therefore, at such an error as VOUT becoming 0.1V or below, the Under Detector shown in the figure works, and turns off the output Tr, and prevents the coil and the IC from being destructed.

And the IC changes from activation into non-activation, and current does not flow to the coil (0mA).

▪ Over voltage protection

At such an error of output open as the output DC/DC and the LED is not connected to IC, the DC/DC will boost too much and the VDET terminal exceed the absolute maximum ratings, and may destruct the IC.

Therefore, when VDET becomes sensing voltage or higher, the over voltage limit works, and turns off the output Tr, and the pressure up made stop.

At this moment, the IC changes from activation into non-activation, and the output voltage goes down slowly. And, when the output voltage becomes the hysteresis of the over voltage limit or below, the output voltage pressure up to sensing voltage once again and unless the application error is recovered, this operation is repeated.

5) Thermal shut down

BD6592MUV has thermal shut down function.

The thermal shut down works at 175°C or higher, and the IC changes from activation into non-activation. Because non-activation is different from RSTB=L, it doesn't be reset inside IC. Moreover, even if thermal shut down function works, soft start, FAILSEL, selection the number of LED lines of the current driver and starting current setting at PWMDRV=L related RSTB are hold.

6) Over Current Limit

Over current flows the current detection resistor that is connected to switching transistor source and between GND, SENSP pin voltage turns more than detection voltage, over current protection is operating and it is prevented from flowing more than detection current by reducing ON duty of switching Tr without stopping boost.

As over current detector of BD6592MUV is detected peak current, current more than over current setting value does not flow. And, over current value can decide freely by changing over current detection voltage.

<Derivation sequence of detection resistor>

Detection resistor = Over current detection voltage / Over current setting value

TYP value of over current detection voltage is 100mV, MIN = 70mV and MAX = 130mV and after the current value which was necessary for the normal operation was decided, detection resistor is derived by using MIN value of over current detection value.

For example, detection resistor when necessary current value was set at 1A is given as shown below.

Detection resistor = 70mV / 1A = 70mΩ

MAX current dispersion of this detection resistor value is

MAX current = 130mV / 70mΩ = 1.86A

<The estimate of the current value which need for the normal operation >

As over current detector of BD6592MUV is detected the peak current, it have to estimate peak current to flow to the coil by operating condition.

In case of, Supply voltage of coil = VIN
 Inductance value of coil = L
 Switching frequency = fsw MIN=0.8MHz, Typ=1MHz, MAX=1.2MHz
 Output voltage = VOUT
 Total LED current = IOUT
 Average current of coil = Iave
 Peak current of coil = Ipeak
 Efficiency = eff (Please set up having margin, it refers to data on page.6.)
 ON time of switching transistor = Ton

$I_{peak} = (VIN / L) \times (1 / fsw) \times (1 - (VIN / VOUT))$

$I_{ave} = (VOUT \times IOUT / VIN) / eff$

$Ton = (I_{ave} \times (1 - VIN/VOUT) \times (1/fsw) \times (L/VIN) \times 2)^{1/2}$

Each current is calculated.

As peak current varies according to whether there is the direct current superposed, the next is decided.

$(1 - VIN/VOUT) \times (1/fsw) < Ton \rightarrow$ peak current = $I_{peak} / 2 + I_{ave}$

$(1 - VIN/VOUT) \times (1/fsw) > Ton \rightarrow$ peak current = I_{peak}

(Example 1)

In case of, VIN=6.5V, L=4.7μH, fsw=1MHz, VOUT=39V, IOUT=80mA, Efficiency=85%

$$I_{peak} = (6.5V / 4.7\mu H) \times (1 / 1MHz) \times (1 - (6.5V / 39V)) = 1.08A$$

$$I_{ave} = (39V \times 80mA / 6.0V) / 85\% = 0.61A$$

$$T_{on} = (0.61A \times (1 - 6.0V / 39V) \times (1 / 1MHz) \times (4.7\mu H / 6.0V) \times 2)^{1/2} = 0.90\mu s$$

$$(1 - V_{IN}/V_{OUT}) \times (1/f_{sw}) = 0.85\mu s < T_{on}$$

$$\text{Peak current} = 1.08A/2 + 0.61A = 1.15A$$

(Example 2)

In case of, VIN=12.0V, L=4.7μH, fsw=1MHz, VOUT=39V, IOUT=80mA, Efficiency=85%

$$I_{peak} = (12.0V / 4.7\mu H) \times (1 / 1MHz) \times (1 - (12V / 39V)) = 1.77A$$

$$I_{ave} = (39V \times 80mA / 12.0V) / 85\% = 0.31A$$

$$T_{on} = (0.31A \times (1 - 12V / 39V) \times (1 / 1MHz) \times (4.7\mu H / 12V) \times 2)^{1/2} = 0.41\mu s$$

$$(1 - V_{IN}/V_{OUT}) \times (1/f_{sw}) = 0.69\mu s > T_{on}$$

$$\text{Peak current} = 12V/4.7\mu H \times 0.41\mu s = 1.05A$$

When too large current is set, output overshoot is caused, be careful enough because it is led to break down of the IC in case of the worst.

Operating of the Application Deficiency

- 1) When 1 LED or 1 parallel OPEN during the operating

In case of FAILSEL=L, the LED parallel which became OPEN isn't lighting, but other LED parallel is lighting. At that time, output boosts up to the over voltage protection voltage 44.7V so that LED terminal may be 0V or it boost to the output voltage that LED terminal voltage becomes LED terminal over voltage protection 11.5V or it becomes the output voltage restricted by the over current limit. In case of FAILSEL=H, boost stops when LED becomes OPEN and all LED turns off the lights.

- 2) When LED short-circuited in the plural

In case of FAILSEL=L, all LED is turned on unless LED terminal voltage is LED terminal over voltage protection of more than 11.5V. When it was more than 11.5V only the line which short-circuited is turned on normally and LED current of other lines fall or turn off the lights. In case of FAILSEL=H, boost stops at more than 11.5V and all LED turns off the lights.

- 3) When Schottky diode came off

Regardless of FAILSEL, all LED isn't turned on. Also, IC and a switching transistor aren't destroyed because boost operating stops by the Schottky diode coming off protected function.

- 4) When over current detection resistor came off

Regardless of FAILSEL, all LED isn't turned on. Because the resistance of 100kΩ is between SENSEP and SENSEN terminal, over current protection works instantly and LED current can't be flow.

Control Signal Input Timing

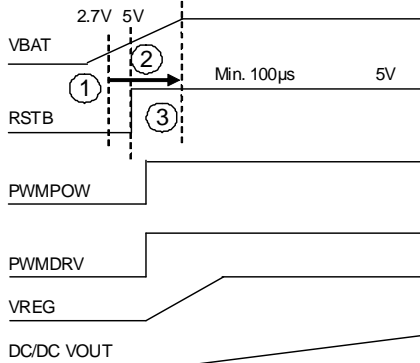


Figure 33. Control signal timing

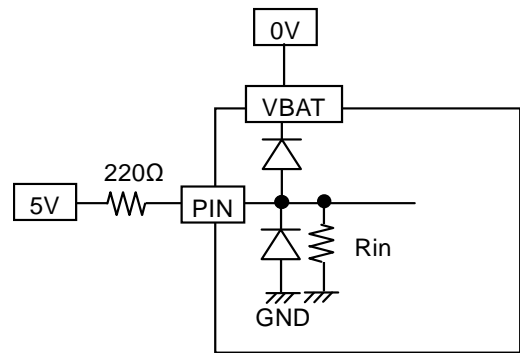


Figure 34. Voltage with a control sign higher than VBAT
Example corresponding to application of conditions

In case you input control signs, such as RSTB, PWMPOW, and PWMDRV, in the condition that the standup of supply voltage (VBAT) is not completed, be careful of the following point.

Input each control signal after VBAT exceeds 2.7V.

Please do not input each control sign until VBAT exceeds HI voltage of RSTB, PWMPOW, and PWMDRV.

When you input RSTB during the standup of VBAT and HI voltage is inputted into PWMPOW, please give the standup time to stable voltage as Min.100μs 2.7V of VBAT.

There is no timing limitation at each input signal of RSTB, PWMPOW and PWMDRV.

If each control sign changes into a condition lower than VBAT in (1) and (2), it goes via the ESD custody diode by the side of VBAT of each terminal. A power supply is supplied to VBAT and there is a possibility of malfunctioning. Moreover, when the entrance current to the terminal exceeds 50mA, it has possibility to damage the LSI. In order to avoid this condition, as shown in the above figure, please insert about 220ohm in a signal line, and apply current qualification. Please confirm an internal pull down resistor in the block diagram and electrical property of Page.4.

Attendance Point of the Restriction Resistance Input to RSTB

When the restriction resistance is input to RSTB, it is necessary to consider the input current of RSTB.

The input current of RSTB changes that depending on the power-supply voltage and the temperature reference to Figure 35.

Because the temperature characteristic of the input current is shown in Figure 35, please choose resistance for which the voltage of the terminal can be guaranteed to 2.1V or more.

And, it has the margin in the decision of resistance, and please confirms and make sure it is no problem in a real application.

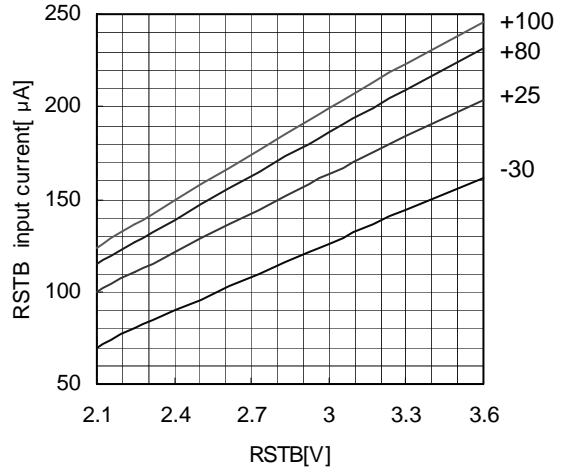
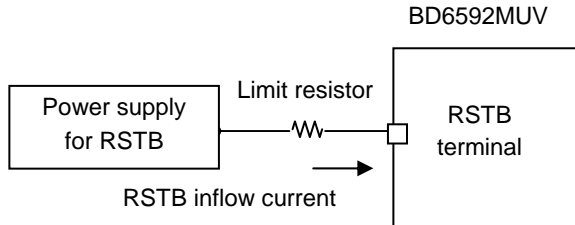


Figure 35. RSTB terminal voltage-RSTB inflow current (At the time of the current driver six lines use)

The decision example of restriction resistance

1. When use the current driver of 6 parallel
 $2.9V(\text{to RSTB power-supply}) - \text{restriction resistance value} \times 124\mu A(100 \text{ input current}) > 2.1V$
 $\text{restriction resistance value} < (2.9-2.1)/124\mu A=6.45k\Omega$
2. When use the current driver of 3 parallel
 $2.9V(\text{to RSTB power-supply}) - \text{restriction resistance value} \times 430\mu A(100 \text{ input current}) > 2.1V$
 $\text{restriction resistance value} < (2.9-2.1)/430\mu A=1.86k\Omega$

In addition, the selection number of parallel number of the current driver is changed, the power-supply current of RSTB will be increased. Because the maximum value of the consumption current at the RSTB=2.1V is indicated in the following Table 1, be careful enough when you calculate the restriction resistance.

Table1. The use parallel number of current driver at RSTB=2.1V , 100 vs. RSTB input current

| Parallel numbers used for current driver | RSTB input current |
|--|--------------------|
| 6 | 0.12mA |
| 5 | 0.23mA |
| 4 | 0.33mA |
| 3 | 0.43mA |
| 2 | 0.53mA |
| 1 | 0.63mA |
| 0 | 0.74mA |

How to Select the Number of LED Lines of the Current Driver

When the number of LED lines of the current driver is reduced, the un-select can be set the matter that the unnecessary LED1 to 6 terminals is connected to GND. When it uses with 4 lines and so on, it can correspond to it by connecting 2 unnecessary lines to GND. RSTB is used as a power supply of this decision circuit. The select of the terminal is judged, It has no relation to the logic of PWMPOW and PWMDRV and it isn't judged an unnecessary LED line even if it is connected to GND when it is judged a necessary terminal once. This information can be reset by setting RSTB at 0V.

Start Control and Select LED Current Driver

BD6592MUV can control the IC system by RSTB, and IC can power off compulsory by setting 0.2V or below. Also, It powers on PWMPOW is at more than 1.4V and RSTB is at more than 2.25V.

When RSTB=PWMPOW=H, ISETH current is selected at PWMDRV=H and ISETL current is selected at PWMDRV=L.

The starting current in PWMDRV=L sets OFF second time rise of PWMDRV and it becomes 0mA setting after that.

After RSTB sets L once, the starting current can be flowed again by changing it to H.

| RSTB | PWMPOW | PWMDRV | IC | LED current |
|------|--------|--------|-----|-------------------------------------|
| H | L | L | Off | OFF |
| H | H | L | On | Starting current decided with ISETL |
| H | L | H | Off | OFF |
| H | H | H | On | Current decided with ISETH |
| L | L, H | L, H | Off | OFF |

Start to Use PWMPow Terminal for the PWM Control, PWM Operating

After RSTB and PWMDRV are changing L → H, input PWM to PWMPow terminal.
 There is no constraint in turn of RSTB and PWMDRV.

And, because it corresponds to PWM drive of shorter ON time than soft start time (1ms), when PWMPow is input H more than three times, the soft start is invalidated and it enable to correspond the high-speed drive. Until RSTB is set L, invalidation of the soft start isn't canceled.

In case of lighting → light off → lighting, when it turns off the lights with PWM=L and It starts without soft start when it sets PWM modulated light again.

But the peak current of the coil changes owing to discharge of output capacitor, It may flow to the over current limit value, as follows Figure 36. Because soft start can be used when it turns off the lights with RSTB=L, The peak current of the coil can be suppressed, as follows Figure 37 and this process of light off is recommended.

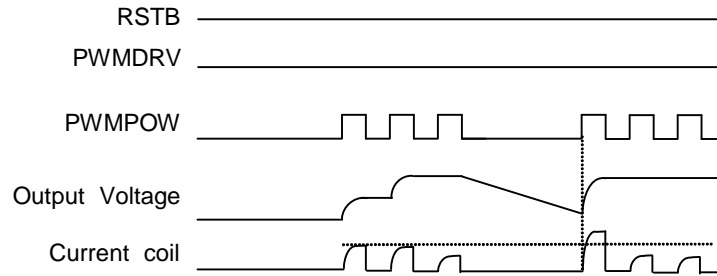


Figure 36. Light off control of PWMPow pin at PWM control on PWM=L

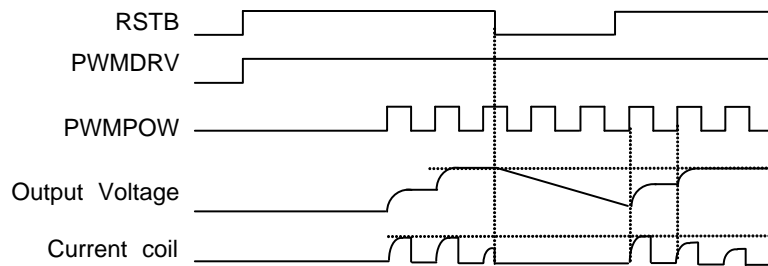


Figure 37. Light off control of PWMPow pin at PWM control on RSTB=L

Start to Use PWMDRV Terminal for the PWM Control, PWM Operating

After RSTB and PWMPOW are changing L → H, input PWM to PWMDRV terminal.

There is no constraint in turn of RSTB and PWMPOW.

When resistance is set as ISET, after RSTB and PWMPOW is changing L → H as follows Figure 38, when it is not input PWM to PWMDRV pin but input L, boost of DC/DC is unstable state because current driver doesn't pass current.

The starting current is pulled from each LED terminal and pressure up operating is stabilized to escape from this state.

Also, the starting current can be set up by the resistance value connected to the ISETL terminal.

After starting, as the starting current in PWM brightness control become useless, the starting current is set up 0mA at the second rise time of PWMDRV automatically as follows Figure 39.

In case of lighting → light off → lighting, when it turns off the lights with PWM=L and It starts without soft start because of soft

start period was end when it sets PWM modulated light again.

But the peak current of the coil changes owing to discharge of output capacitor, It may flow to the over current limit value, as follows Figure 39. Because soft start can be used when it turns off the lights with RSTB=L, The peak current of the coil can be suppressed, as follows Figure 40 and this process of light off is recommended.

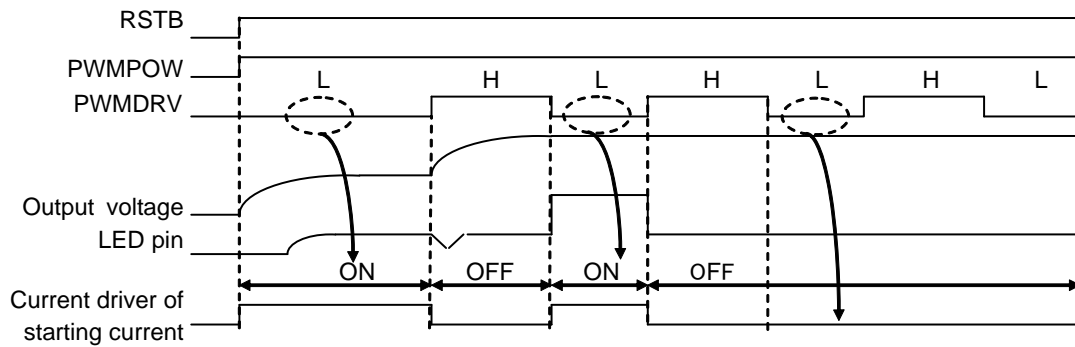


Figure 38. Off timing of starting current at PWMDRV=L

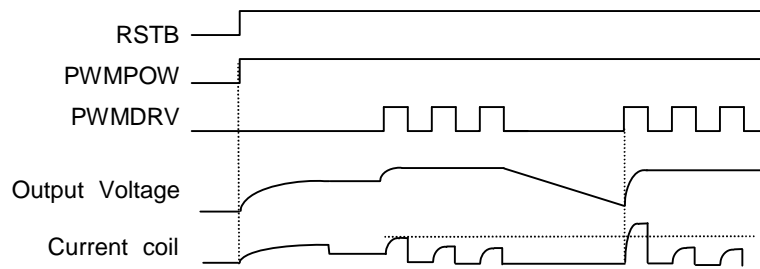


Figure 39. Light off control of PWMDRV pin at PWM control on PWM=L

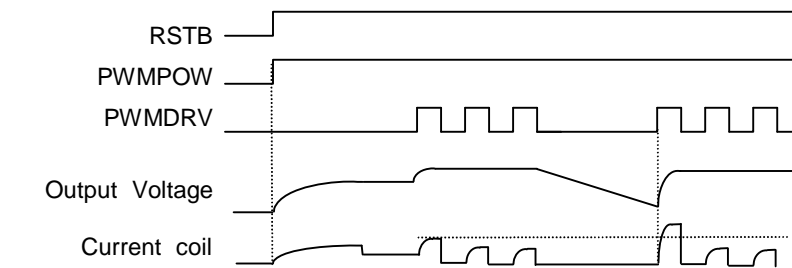


Figure 40. Light off control of PWMDRV pin at PWM control on RSTB=L

Brightness Control

There are two dimming method is available, first method is analog dimming that apply analog voltage to ISET terminal, and second method is PWM control via digital dimming of PWMPOW or PWMDRV. Because each method has the different merit, please choose a suitable method for the application of use.

Two techniques can be used as digital dimming by the PWM control One is PWM control of current driver, the other is PWM control of power control.

As these two characteristics are shown in the below, selects to PWM control process comply with application.

- Efficiency emphasis in the low brightness which has an influence with the battery life → 2) Power control PWM control
- LED current dispersion emphasis in the PWM brightness control → 1) Current driver PWM control

(Reference)

| PWM regulation process | Efficiency of LED current 0.5mA (PWM Duty=2.5%) | PWM frequency 200Hz Limit dispersion capability of low duty |
|------------------------|--|--|
| Current driver | 70% | 0.2% |
| Power control | 93% | 0.5% |

1)Current driver PWM control is controlled by providing PWM signal to PWMDRV, as it is shown Figure 28.

The current set up with ISETH is chosen as the Hi section of PWMDRV and the current is off as the Lo section. Therefore, the average LED current is increasing in proportion to duty cycle of PWMDRV signal. This method that it lets internal circuit and DC/DC to work, because it becomes to switch the driver, the current tolerance is a few when the PWM brightness is adjusted, it makes it possible to brightness control until 20µs (MIN0.4% at 200Hz). And, don't use for the brightness control, because effect of ON/OFF changeover is big under 20µs ON time and under 20µs OFF time. There is no effect of ON/OFF changeover at 0% and 100%, so there is no problem on use. Typical PWM frequency is 100Hz to 10kHz. When resistance is set as ISET, RSTB sets H → L, so the starting current may be effective, after RSTB sets L → H, it becomes PWM of the starting current and PWM of ISETH setting current to PWM two times.

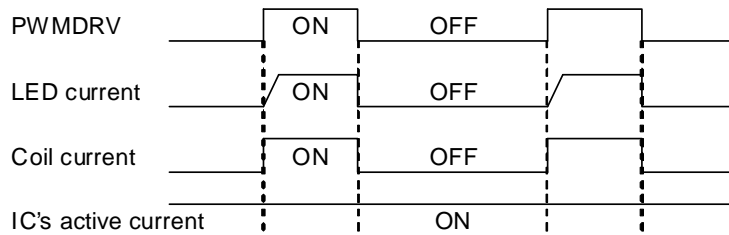


Figure 41

2)Power control PWM control is controlled by providing PWM signal to PWMPOW, as it is shown Figure 29. The current setting set up with PWMDRV logic is chosen as the Hi section and the current is off as the Lo section. Therefore, the average LED current is increasing in proportion to duty cycle of PWMPOW signal. This method is, because IC can be power-off at off-time, the consumption current can be suppress, and the high efficiency can be available, so it makes it possible to brightness control until 50µs (MIN1% at 200Hz). And, don't use for the brightness control, because effect of power ON/OFF time changeover is big under 50µs ON time and under 50µs OFF time.

There is no effect of ON/OFF changeover at 0% and 100%, so there is no problem on use. Typical PWM frequency is 100Hz to 1kHz. Also, PWM can't control RSTB and PWMPOW at the same time.

After RSTB sets H, control PWM only PWMPOW.

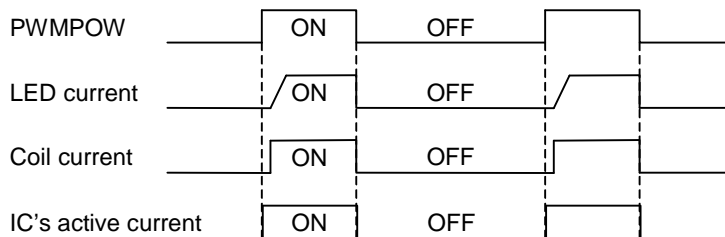


Figure 42

LED Current Setting Range

LED current can set up Normal and Starting setting current.
 LED current can set up Normal current by resistance value (RISETH) connecting to ISETH voltage and LED current can set Starting current by resistance value (RISETL) connecting to ISETL voltage.
 Setting of each LED current is given as shown below.
 Normal current = 20mA (24kΩ/RISETH) Starting constant current = 0.6/RISETL
 Also, Normal current setting range is 10mA to 25mA, Starting current setting range is OFF setting or 1μA to 100μA.
 LED current can set OFF setting by open setting ISETL pin.
 LED current becomes a leak current MAX 1μA at OFF setting.

ISETH Normal current setting example

| RISETH | LED current |
|---------------|-------------|
| 12kΩ (E12) | 40mA |
| 16 kΩ (E16) | 30mA |
| 24kΩ (E24) | 20mA |
| 25.5 kΩ (E96) | 18.8mA |
| 27 kΩ (E12) | 17.8mA |
| 30kΩ (E24) | 16.0mA |

ISETL Starting current setting example

| RISETL | LED current |
|---------------------|-------------|
| 6.2kΩ (E24) | 97μA |
| 10kΩ (E6) | 60μA |
| 47kΩ (E6) | 13μA |
| 100 kΩ (E6) | 6μA |
| 560 kΩ (E12) | 1.1μA |
| Connect to VREG pin | 0mA |

The Separations of the IC Power Supply and Coil Power Supply

This IC can work in separating the power source in both IC power supply and coil power supply. With this application, it can obtain that decrease of IC power consumption, and the applied voltage exceeds IC rating 22V.

That application is shown in below Figure 42. The higher voltage source is applied to the power source of coil that is connected from an adapter etc. Next, the IC power supply is connected with a different coil power supply. Under the conditions for inputting from 2.7V to 5.5V into IC VBAT, please follow the recommend design in Figure 40. It connects VBAT terminal and VREG terminal together at IC outside.

When the coil power supply is applied, it is no any problem even though IC power supply is the state of 0V. Although IC power supply is set to 0V, pull-down resistance is arranged for the power off which cuts off the leak route from coil power supply in IC inside, the leak route is cut off. And, there is no power on-off sequence of coil power supply and IC power supply.

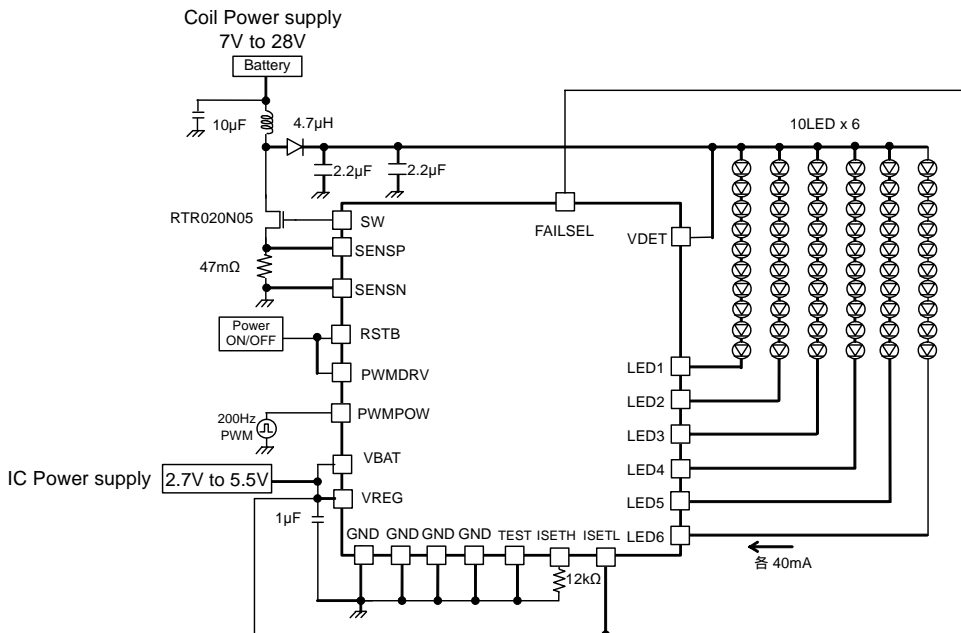


Figure 43. Application at the time of power supply isolation

The Coil Selection

The DC/DC is designed by more than $4.7\mu\text{H}$. When L value sets to a lower value, it is possibility that the specific sub-harmonic oscillation of current mode DC / DC will be happened.

Please do not let L value to $3.3\mu\text{H}$ or below.

And, L value increases, the phase margin of DC / DC becomes to zero. Please enlarge the output capacitor value when you increase L value.

Example)

| | | | | |
|------------------|---|------------------|-----------------------------|------|
| $4.7\mu\text{H}$ | = | output capacitor | $2.2\mu\text{F}/50\text{V}$ | 1pcs |
| $6.8\mu\text{H}$ | = | output capacitor | $2.2\mu\text{F}/50\text{V}$ | 2pcs |
| $10\mu\text{H}$ | = | output capacitor | $2.2\mu\text{F}/50\text{V}$ | 3pcs |

This value is just examples, please made sure the final judgment is under an enough evaluation.

PCB Layout

In order to make the most of the performance of this IC, its PCB layout is very important. Characteristics such as efficiency and ripple and the likes change greatly with layout patterns, which please note carefully.

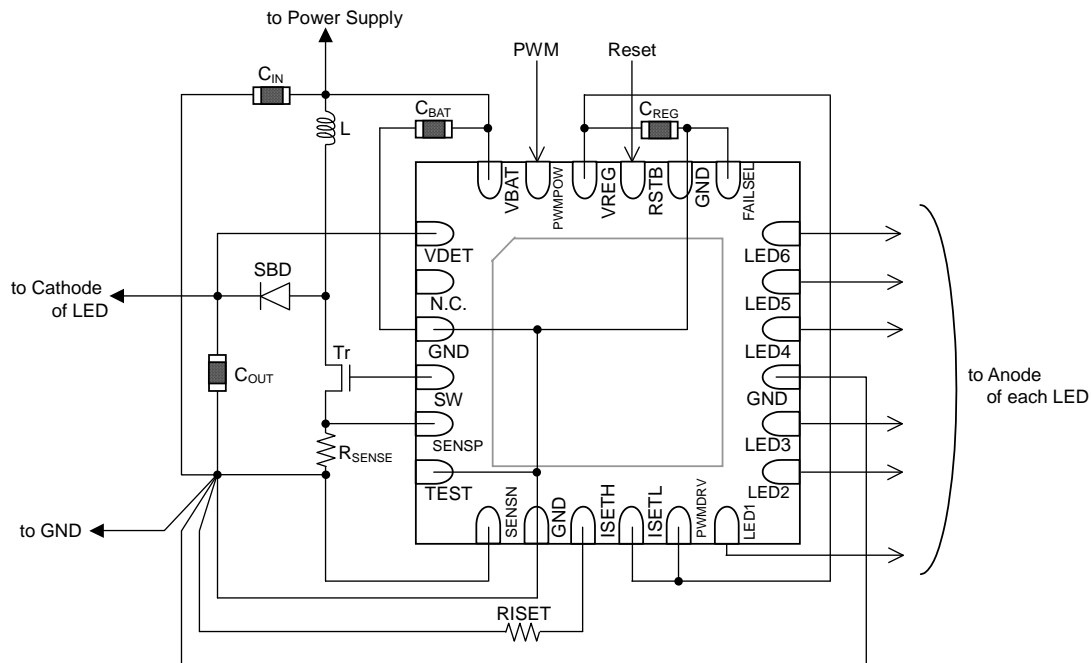


Figure 44. Layout

Connect the input bypass capacitor $C_{IN}(10\mu\text{F})$ nearest to coil L, as shown in the upper diagram.

Wire the power supply line by the low resistance from C_{IN} to VBAT pin. Thereby, the input voltage ripple of the IC can be reduced. Connect smoothing capacitor C_{REG} of the regulator nearest to between VREG and GND pin, as shown in the upper diagram. Connect schottky barrier diode SBD of the regulator nearest to between coil L and switching transistor Tr.

And connect output capacitor C_{OUT} nearest to between C_{IN} and GND pin. Thereby, the output voltage ripple of the IC can be reduced.

Connect switching transistor Tr nearest to SW pin. Wire coil L and switching transistor Tr, current sensing resistor R_{SENSE} by the low resistance. Wiring to the SENSEP pin isn't Tr side, but connect it from R_{SENSE} side. Over current value may become low when wiring from Tr side. Connect R_{SENSE} of GND side isolated to SENSE pin. Don't wire between R_{SENSE} and SENSEN pin wiring from R_{SENSE} pin to GND pin. **And R_{SENSE} GND line must be wired directly to GND pin of output capacitor.** It has the possibility that restricts the current drive performance by the influence of the noise when other GND is connected to this GND.

Connect LED current setting resistor R_ISET nearest to ISET pin. **There is possibility to oscillate when capacity is added to ISET terminal, so pay attention that capacity isn't added. And, R_ISET of GND side must be wired directly to GND pin.**

When those pins are not connected directly near the chip, influence is given to the performance of BD6592MUV, and may limit the current drive performance. As for the wire to the inductor, make its resistance component small so as to reduce electric power consumption and increase the entire efficiency.

The layout pattern in consideration of these is shown in next page.

Recommended PCB Layout Pattern

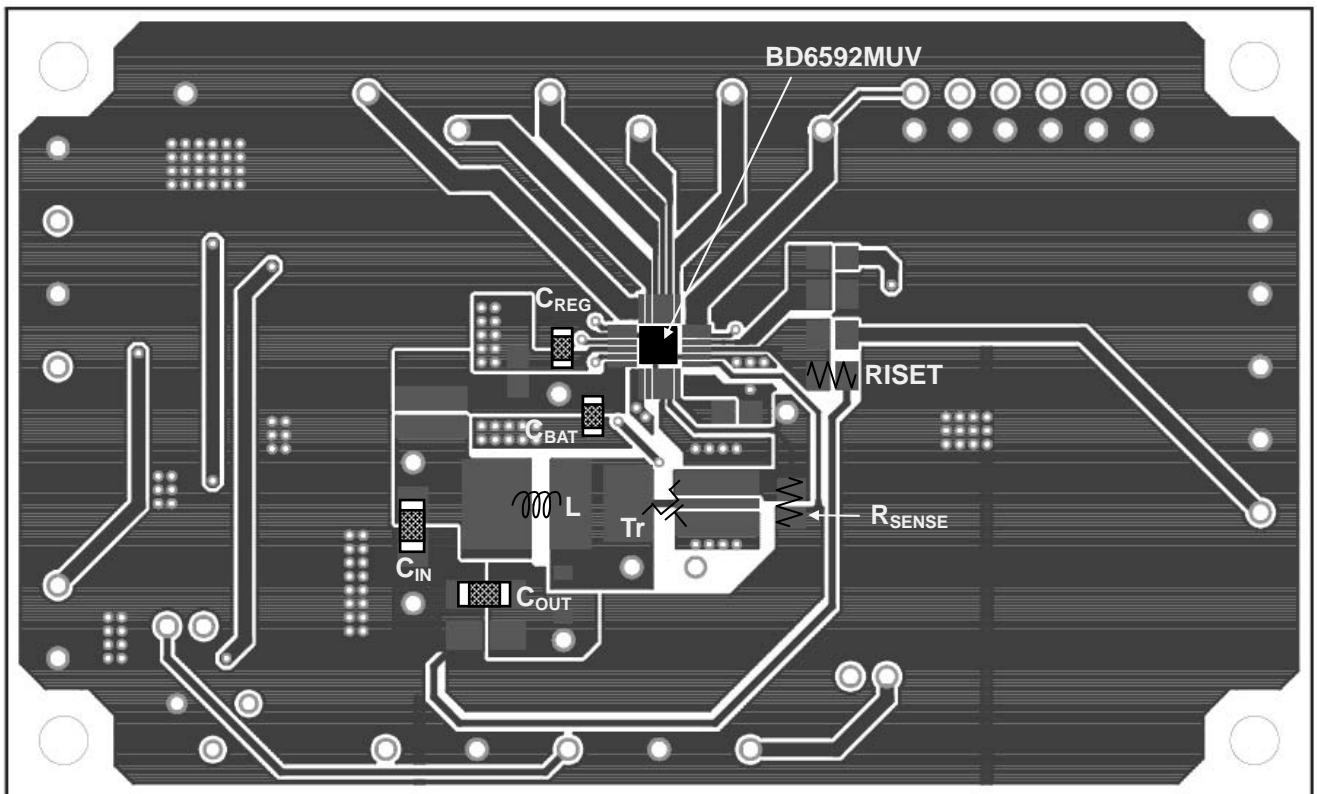


Figure 45. Frontal surface <Top view>

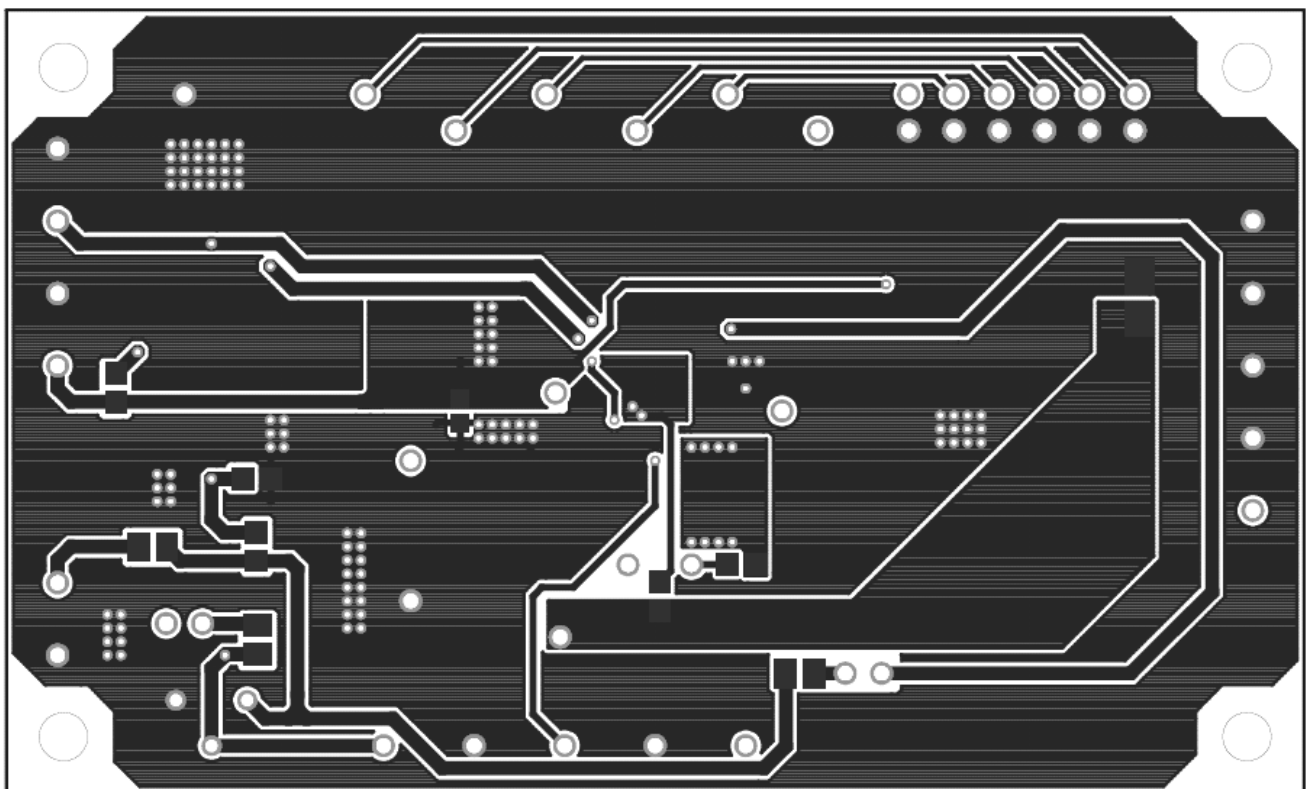


Figure 46. Rear surface <Top view>

Selection of External Parts

Recommended external parts are as shown below. When to use other parts than these, select the following equivalent parts.

• Coil

| Value | Manufacturer | Product number | Size | | | DC current (mA) | DCR (Ω) |
|-------------|--------------|------------------|----------|------------|--------------|-----------------|------------------|
| | | | Vertical | Horizontal | Height (MAX) | | |
| 4.7 μ H | TOKO | A915AY-4R7M | 5.2 | 5.2 | 3.0 | 1870 | 0.045 |
| 4.7 μ H | TOKO | B1015AS-4R7M | 8.4 | 8.3 | 4.0 | 3300 | 0.038 |
| 4.7 μ H | TOKO | A1101AS-4R7M | 4.1 | 4.1 | 1.2 | 1400 | 0.115 |
| 4.7 μ H | TDK | LTF5022T-4R7N2R0 | 5.0 | 5.2 | 2.2 | 2000 | 0.073 |
| 4.7 μ H | TDK | VLP6810T-4R7M1R6 | 6.3 | 6.8 | 1.0 | 1600 | 0.167 |
| 10 μ H | TDK | VLP6810T-100M1R1 | 6.3 | 6.8 | 1.0 | 1100 | 0.350 |

• Capacitor

| Value | Pressure | Manufacturer | Product number | Size | | | TC | Cap Tolerance |
|--|----------|--------------|--------------------|----------|------------|-----------------|-----|---------------|
| | | | | Vertical | Horizontal | Height | | |
| [Supply voltage capacitor] | | | | | | | | |
| 10 μ F | 25V | MURATA | GRM31CB31E106KA75 | 3.2 | 1.6 | 1.6 \pm 0.2 | B | +/-10% |
| 10 μ F | 10V | MURATA | GRM219BB31A106KE18 | 2.0 | 1.25 | 0.85 \pm 0.15 | B | +/-10% |
| 4.7 μ F | 25V | MURATA | GRM319B31E475KA75 | 3.2 | 1.6 | 0.85 \pm 0.1 | B | +/-10% |
| 4.7 μ F | 25V | MURATA | GRM21BB31E475KA75 | 2.0 | 1.25 | 1.25 \pm 0.1 | B | +/-10% |
| [Smoothing capacitor for built-in regulator] | | | | | | | | |
| 1 μ F | 10V | MURATA | GRM188B11A105KA61 | 1.6 | 0.8 | 0.8 \pm 0.1 | B | +/-10% |
| 2.2 μ F | 10V | MURATA | GRM219B11A225KA01 | 2.0 | 1.25 | 0.85 \pm 0.1 | B | +/-10% |
| [Output capacitor] | | | | | | | | |
| 1 μ F | 50V | MURATA | GRM31MB31H105KA87 | 3.2 | 1.6 | 1.15 \pm 0.1 | B | +/-10% |
| 1 μ F | 50V | MURATA | GRM21BB31H105KA12 | 2.0 | 1.25 | 1.25 \pm 0.1 | B | +/-10% |
| 1 μ F | 100V | MURATA | GRM31CR72A105KA01 | 3.2 | 1.6 | 1.6 \pm 0.2 | X7R | +/-10% |
| 2.2 μ F | 50V | MURATA | GRM31CB31H225KA87 | 3.2 | 1.6 | 1.6 \pm 0.2 | B | +/-10% |
| 0.33 μ F | 50V | MURATA | GRM219B31H334K | 2.0 | 1.25 | 0.85 \pm 0.1 | B | +/-10% |

• Resistor

| Value | Tolerance | Manufacturer | Product number | Size | | |
|--|------------|--------------|----------------|----------|------------|-----------------|
| | | | | Vertical | Horizontal | Height |
| [Resistor for LED current decision <ISETH pin>] | | | | | | |
| 16k Ω | \pm 0.5% | ROHM | MCR006YZPD163 | 0.6 | 0.3 | 0.23 \pm 0.03 |
| [Resistor for over current decision <SENSP pin>] | | | | | | |
| 47m Ω | \pm 1% | ROHM | MCR10EZHF047 | 2.0 | 1.25 | 0.55 \pm 0.1 |

• SBD

| Pressure | Manufacturer | Product number | Size | | |
|----------|--------------|----------------|----------|------------|---------------|
| | | | Vertical | Horizontal | Height |
| 60V | ROHM | RB160M-60 | 3.5 | 1.6 | 0.8 \pm 0.1 |

• MOS FET Nch

| Pressure | Manufacturer | Product number | Size | | | Current ability | Driving voltage |
|----------|--------------|----------------|----------|------------|--------|-----------------|-----------------|
| | | | Vertical | Horizontal | Height | | |
| 45V | ROHM | RTR020N05 | 2.8 | 2.9 | 1.0 | 2A | 2.5V |
| 60V | ROHM | RSS065N06 | 6.0 | 5.0 | 1.75 | 6.5A | 4.0V |

The coil is the part that is most influential to efficiency. Select the coil whose direct current resistor (DCR) and current - inductance characteristic is excellent. BD6592MUV is designed for the inductance value of 4.7 μ H.

Don't use the inductance value less than 2.2 μ H. Select a capacitor of ceramic type with excellent frequency and temperature characteristics. Further, select Capacitor to be used with small direct current resistance, and pay sufficient attention to the PCB layout shown in P.16.

About Heat Loss

In heat design, operate the DC/DC converter in the following condition.

(The following temperature is a guarantee temperature, so consider the margin.)

1. Periphery temperature T_a must be less than 85 .
2. The loss of IC must be less than dissipation P_d .

Application Example

- LED current setting controlled ISETH resistor.
 12kΩ : 40mA
 16kΩ : 30mA
 24kΩ : 20mA
- Brightness control
 Please input PWM pulse from PWMPW or PWMDRV terminal.
 Please refer electrical characteristic page.6 and function (page.18).

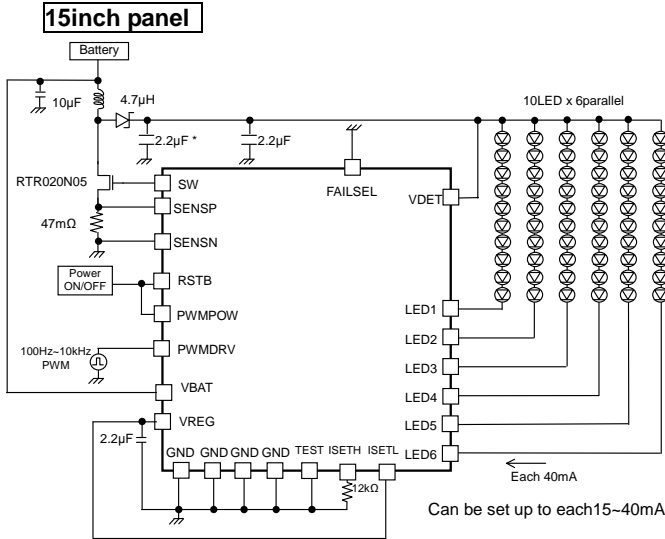


Figure 47. 10 seriesx6 parallel, LED current 40mA setting Current driver PWM application

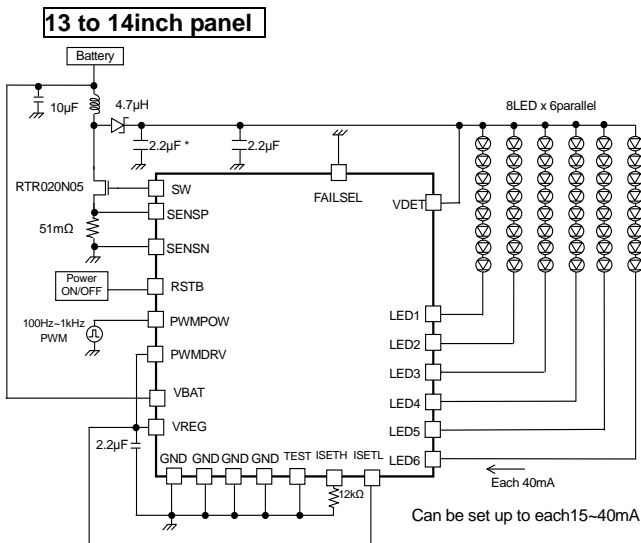


Figure 48. 8 seriesx 6 parallel, LED current 40mA setting Power control PWM application

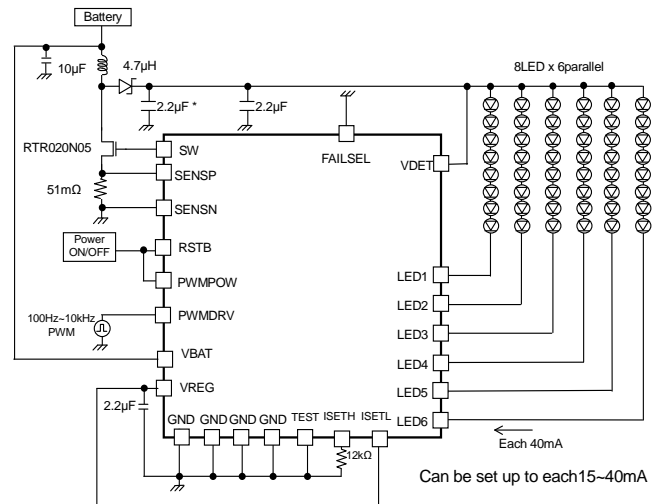


Figure 49. 8 seriesx6 parallel, LED current 40mA setting Current driver PWM application

* Please select the capacitor which the little bias fluctuation.

- LED current setting controlled ISETH resistor.
 12kΩ : 40mA
 16kΩ : 30mA
 24kΩ : 20mA
- Brightness control
 Please input PWM pulse from PWMPW or PWMDRV terminal.
 Please refer electrical characteristic page.6 and function (page.18).

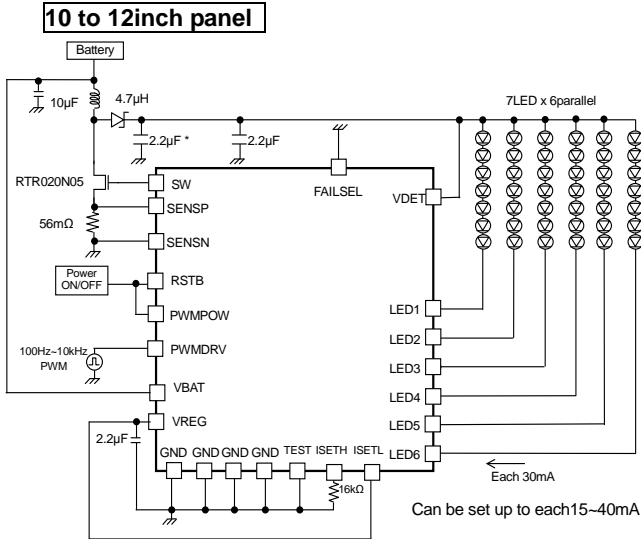


Figure 50. 7 seriesx6 parallel, LED current 30mA setting Current driver PWM application

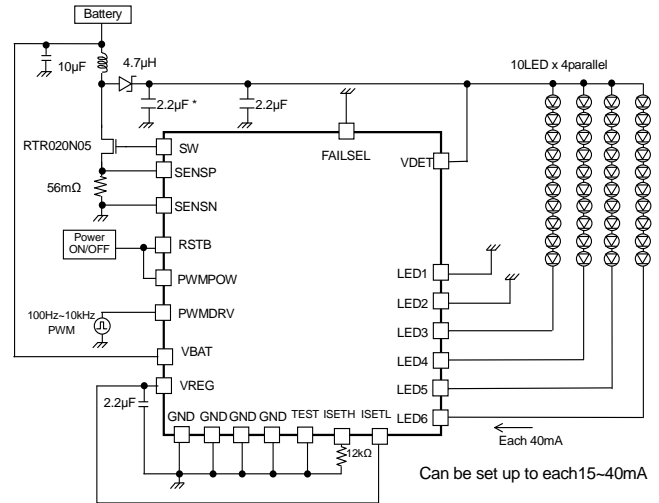


Figure 51. 10 seriesx4 parallel, LED current 40mA setting Current driver PWM application

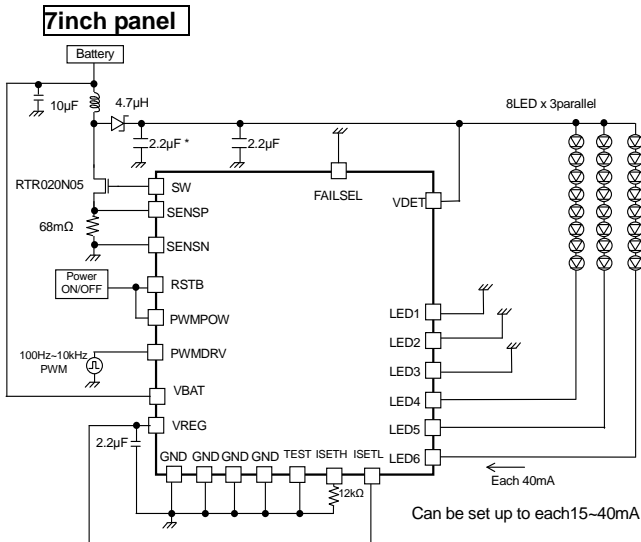


Figure 52. 8 seriesx3 parallel, LED current 40mA setting Current driver PWM application

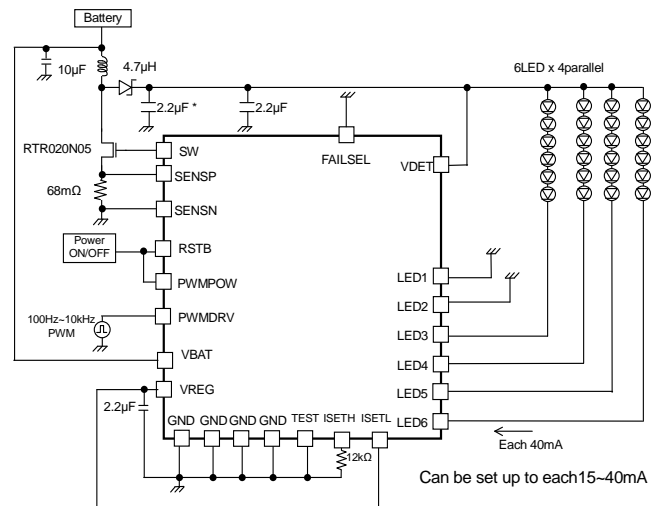


Figure 53. 6 seriesx4 parallel, LED current 40mA setting Current driver PWM application

* Please select the capacitor which the little bias fluctuation.

- LED current setting controlled ISETH resistor.
 12kΩ : 40mA
 16kΩ : 30mA
 24kΩ : 20mA
- Brightness control
 Please input PWM pulse from PWMPW or PWMDRV terminal.
 Please refer electrical characteristic page.6 and function (page.18).

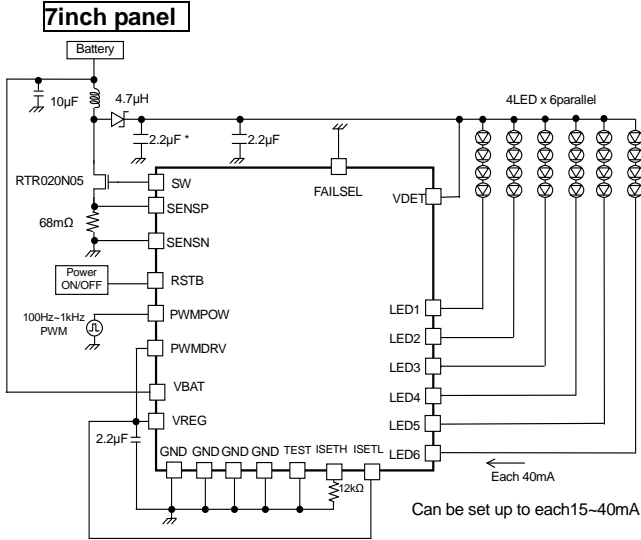


Figure 54. 4 series x 6 parallel, LED current 40mA setting Power control PWM application

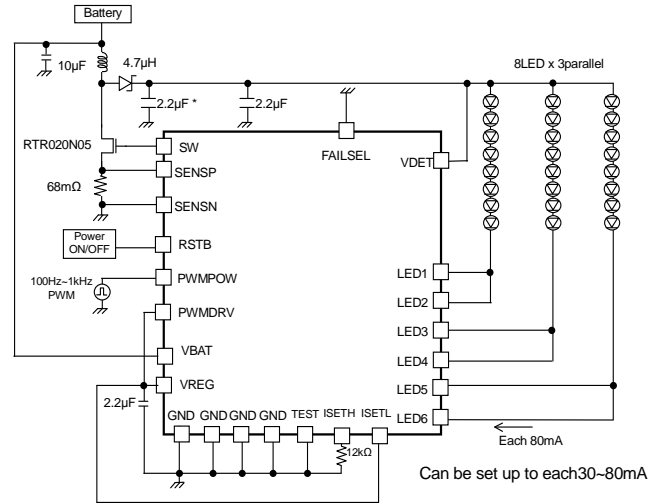


Figure 55. 8 series x 3 parallel, LED current 80mA setting Power control PWM application

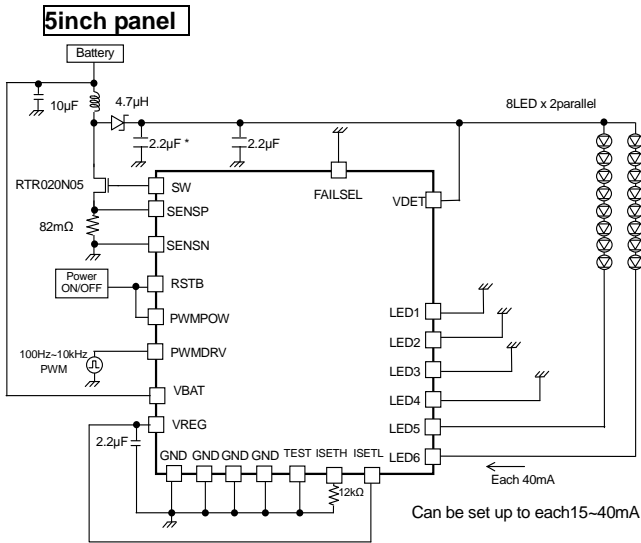


Figure 56. 8 series x 2 parallel, LED current 40mA setting Current driver PWM application

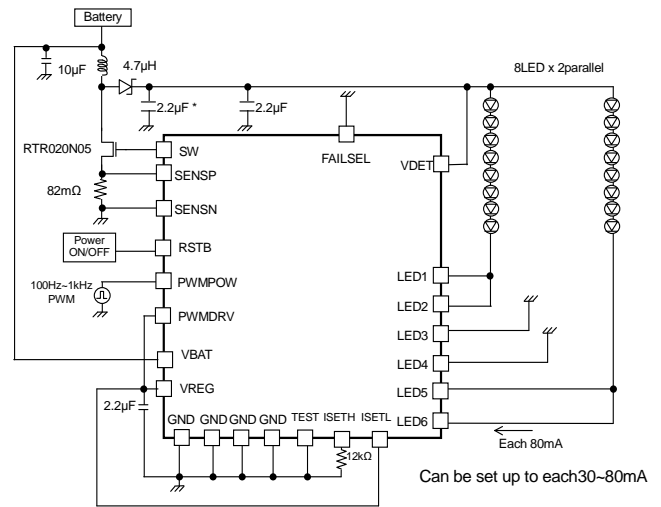


Figure 57. 8 series x 2 parallel, LED current 80mA setting Power control PWM application

* Please select the capacitor which the little bias fluctuation.

- LED current setting controlled ISETH resistor.
 12kΩ : 40mA
 16kΩ : 30mA
 24kΩ : 20mA
- Brightness control
 Please input PWM pulse from PWMPW or PWMDRV terminal.
 Please refer electrical characteristic page.6 and function (page.18).

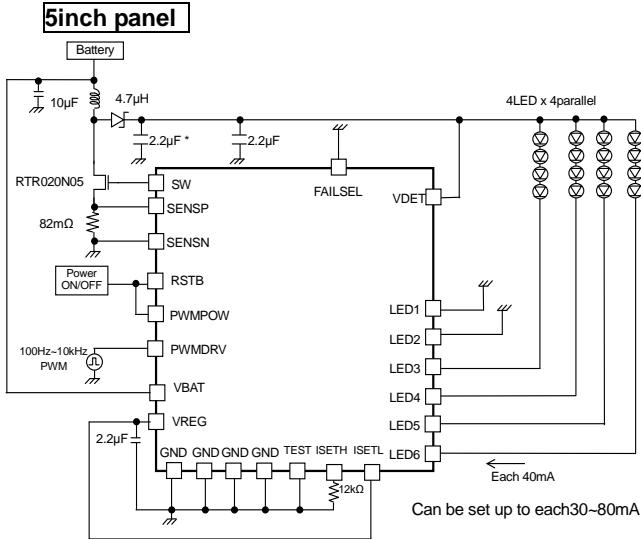


Figure 58. 4 series x 4 parallel, LED current 40mA setting
Current driver PWM application

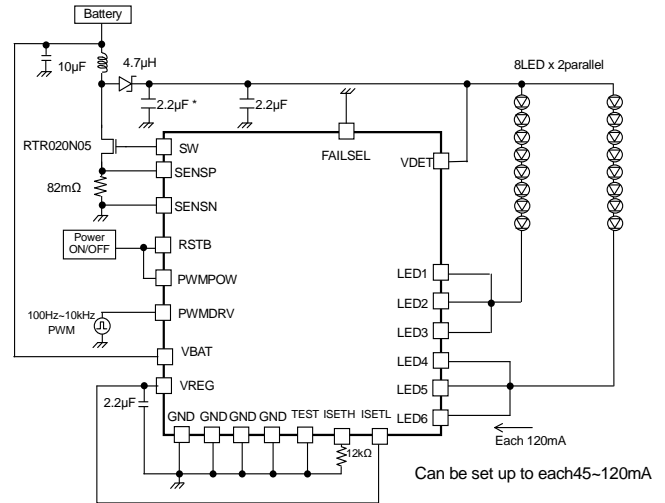


Figure 59. 8 series x 2 parallel, LED current 120mA setting
Current driver PWM application

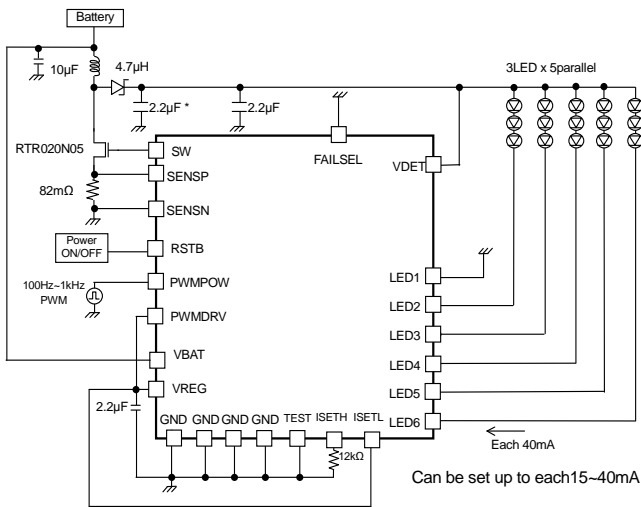


Figure 60. 3 series x 5 parallel, LED current 40mA setting
Power control PWM application

* Please select the capacitor which the little bias fluctuation.

- LED current setting controlled ISETH resistor.
 12kΩ : 40mA
 16kΩ : 30mA
 24kΩ : 20mA
- Brightness control
 Please input PWM pulse from PWMPOW or PWMDRV terminal.
 Please refer electrical characteristic page.6 and function (page.18).

Over 22V application

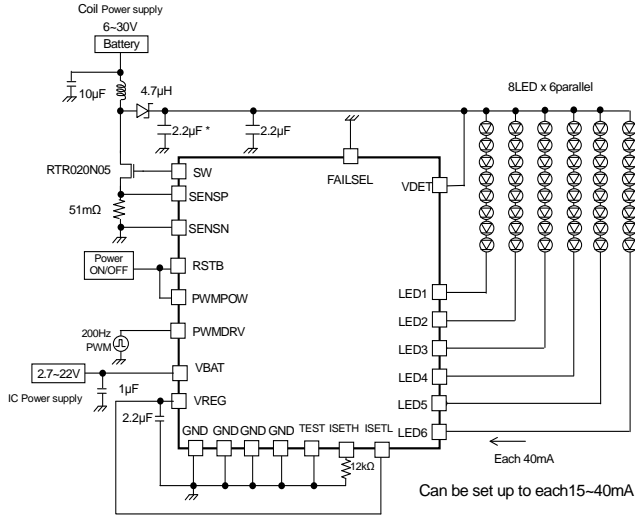


Figure 61

For Big LED Current

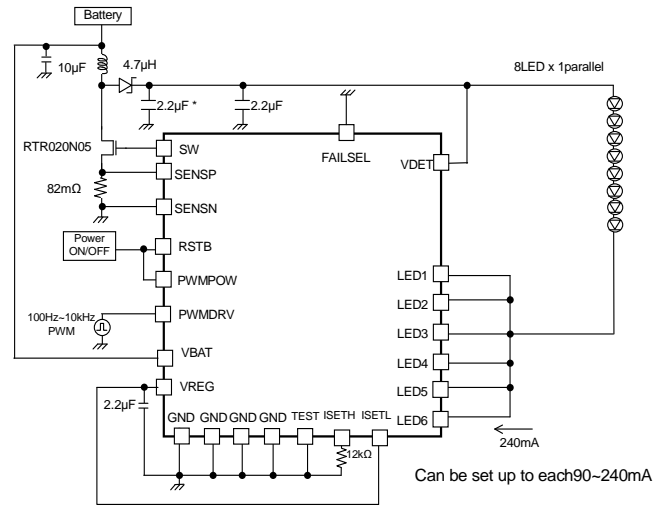


Figure 62

The separation of less than an IC power supply 5V and the coil power supply

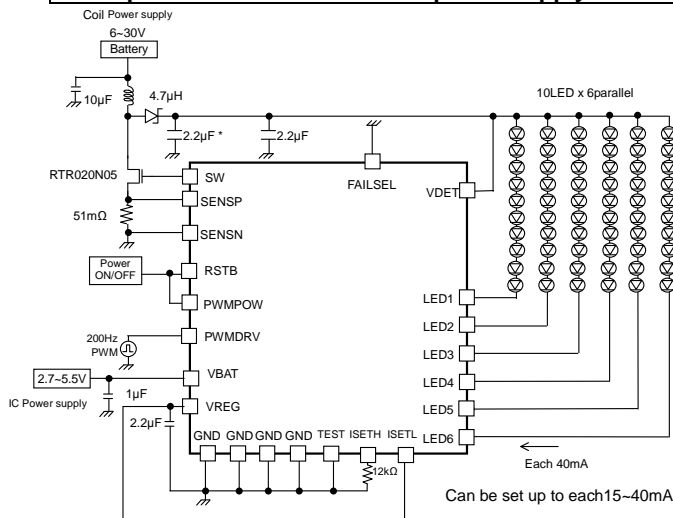
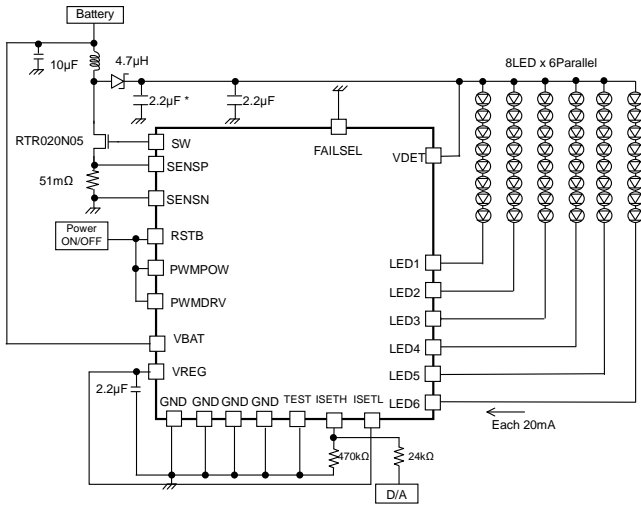


Figure 63

*Please select the capacitor which the little bias fluctuation.

Application Example of Analog Dimming

Control LED current to charged D/A voltage.
 Show application example and typ control.
 Please decide final value after you evaluated application, characteristic.



| D/A | LED current |
|-------|-------------|
| 0.05V | 19.4mA |
| 0.2V | 14.4mA |
| 0.4V | 7.7mA |
| 0.5V | 4.4mA |
| 0.6V | 1.0mA |
| 0.7V | 0mA |

$$\text{LED current} = \left(\frac{\text{ISET voltage}}{470\text{k}\Omega} + \frac{\text{ISET voltage} - \text{D/A}}{24\text{k}\Omega} \right) \times 800$$

$$\text{typ LED current} = \left(\frac{0.6\text{V}}{470\text{k}\Omega} + \frac{0.6\text{V} - \text{D/A}}{24\text{k}\Omega} \right) \times 800$$

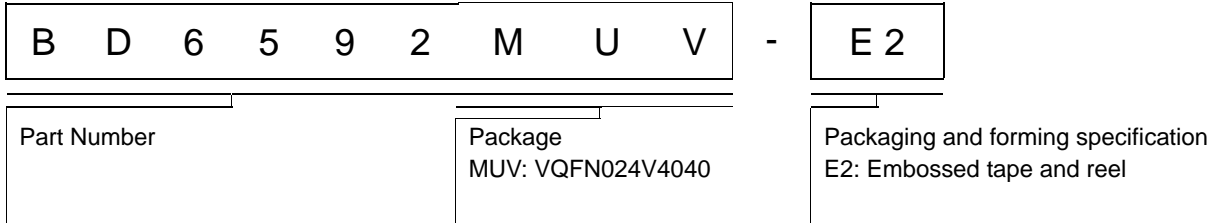
Figure 64. Analog style optical application

* Please select the capacitor which the little bias fluctuation.

Operational Notes

- (1) Absolute Maximum Ratings
An excess in the absolute maximum ratings, such as supply voltage, temperature range of operating conditions, etc., can break down devices, thus making impossible to identify breaking mode such as a short circuit or an open circuit. If any special mode exceeding the absolute maximum ratings is assumed, consideration should be given to take physical safety measures including the use of fuses, etc.
- (2) Operating Conditions
These conditions represent a range within which characteristics can be provided approximately as expected. The electrical characteristics are guaranteed under the conditions of each parameter.
- (3) Reverse Connection of Power Supply Connector
The reverse connection of power supply connector can break down ICs. Take protective measures against the breakdown due to the reverse connection, such as mounting an external diode between the power supply and the IC's power supply terminal.
- (4) Power Supply Line
Design PCB pattern to provide low impedance for the wiring between the power supply and the GND lines. In this regard, for the digital block power supply and the analog block power supply, even though these power supplies has the same level of potential, separate the power supply pattern for the digital block from that for the analog block, thus suppressing the diffraction of digital noises to the analog block power supply resulting from impedance common to the wiring patterns. For the GND line, give consideration to design the patterns in a similar manner.
Furthermore, for all power supply terminals to ICs, mount a capacitor between the power supply and the GND terminal. At the same time, in order to use an electrolytic capacitor, thoroughly check to be sure the characteristics of the capacitor to be used present no problem including the occurrence of capacity dropout at a low temperature, thus determining the constant.
- (5) GND Voltage
Make setting of the potential of the GND terminal so that it will be maintained at the minimum in any operating state. Furthermore, check to be sure no terminals are at a potential lower than the GND voltage including an actual electric transient.
- (6) Short Circuit between Terminals and Erroneous Mounting
In order to mount ICs on a set PCB, pay thorough attention to the direction and offset of the ICs. Erroneous mounting can break down the ICs. Furthermore, if a short circuit occurs due to foreign matters entering between terminals or between the terminal and the power supply or the GND terminal, the ICs can break down.
- (7) Operation in Strong Electromagnetic Field
Be noted that using ICs in the strong electromagnetic field can malfunction them.
- (8) Inspection with set PCB
On the inspection with the set PCB, if a capacitor is connected to a low-impedance IC terminal, the IC can suffer stress. Therefore, be sure to discharge from the set PCB by each process. Furthermore, in order to mount or dismount the set PCB to/from the jig for the inspection process, be sure to turn OFF the power supply and then mount the set PCB to the jig. After the completion of the inspection, be sure to turn OFF the power supply and then dismount it from the jig. In addition, for protection against static electricity, establish a ground for the assembly process and pay thorough attention to the transportation and the storage of the set PCB.
- (9) Input Terminals
In terms of the construction of IC, parasitic elements are inevitably formed in relation to potential. The operation of the parasitic element can cause interference with circuit operation, thus resulting in a malfunction and then breakdown of the input terminal. Therefore, pay thorough attention not to handle the input terminals, such as to apply to the input terminals a voltage lower than the GND respectively, so that any parasitic element will operate. Furthermore, do not apply a voltage to the input terminals when no power supply voltage is applied to the IC. In addition, even if the power supply voltage is applied, apply to the input terminals a voltage lower than the power supply voltage or within the guaranteed value of electrical characteristics.
- (10) Ground Wiring Pattern
If small-signal GND and large-current GND are provided, It will be recommended to separate the large-current GND pattern from the small-signal GND pattern and establish a single ground at the reference point of the set PCB so that resistance to the wiring pattern and voltage fluctuations due to a large current will cause no fluctuations in voltages of the small-signal GND. Pay attention not to cause fluctuations in the GND wiring pattern of external parts as well.
- (11) External Capacitor
In order to use a ceramic capacitor as the external capacitor, determine the constant with consideration given to a degradation in the nominal capacitance due to DC bias and changes in the capacitance due to temperature, etc.
- (12) Thermal Shutdown Circuit (TSD)
When junction temperatures become 175 (typ) or higher, the thermal shutdown circuit operates and turns a switch OFF. The thermal shutdown circuit, which is aimed at isolating the LSI from thermal runaway as much as possible, is not aimed at the protection or guarantee of the LSI. Therefore, do not continuously use the LSI with this circuit operating or use the LSI assuming its operation.
- (13) Thermal Design
Perform thermal design in which there are adequate margins by taking into account the permissible dissipation (Pd) in actual states of use.
- (14) Selection of Coil
Select the low DCR inductors to decrease power loss for DC/DC converter.

Ordering Information



Marking Diagram

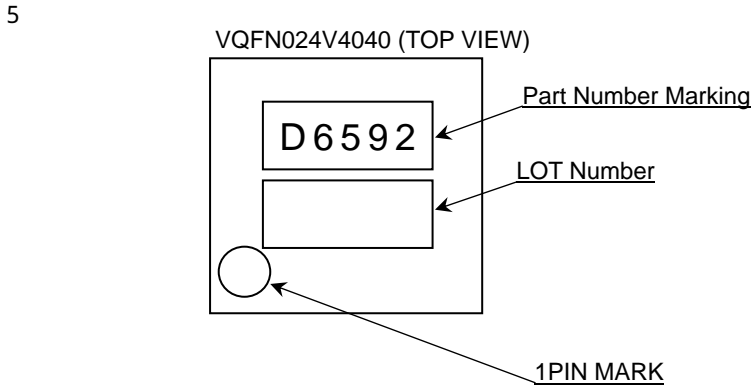


Figure 65. Marking Diagram

Physical Dimension Tape and Reel Information

VQFN024V4040

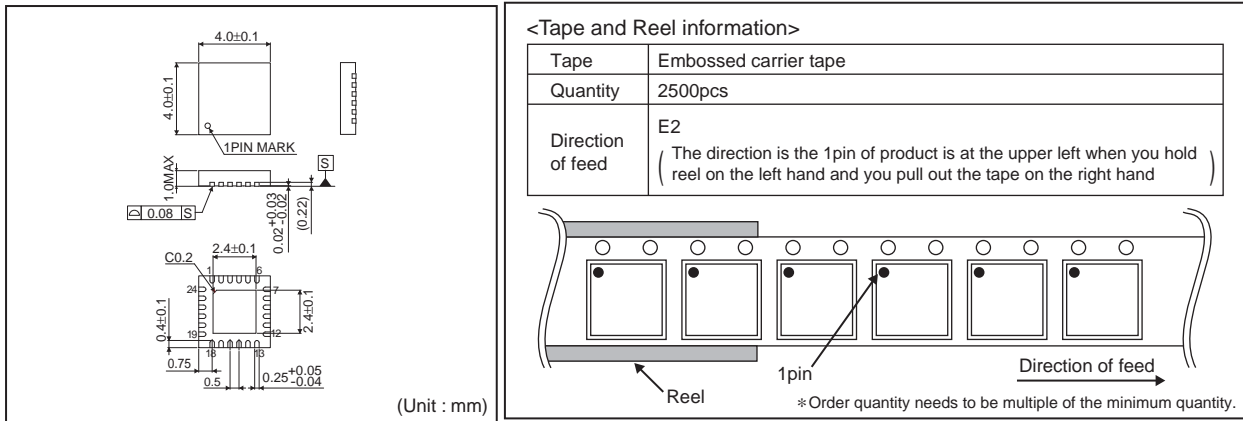


Figure 66. VQFN024V4040

Revision History

| Date | Revision | Changes |
|-------------|----------|-------------|
| 21.Dec.2012 | 001 | New Release |

Notice

●General Precaution

- 1) Before you use our Products, you are requested to carefully read this document and fully understand its contents. ROHM shall not be in any way responsible or liable for failure, malfunction or accident arising from the use of any ROHM's Products against warning, caution or note contained in this document.
- 2) All information contained in this document is current as of the issuing date and subject to change without any prior notice. Before purchasing or using ROHM's Products, please confirm the latest information with a ROHM sales representative.

●Precaution on using ROHM Products

- 1) Our Products are designed and manufactured for application in ordinary electronic equipments (such as AV equipment, OA equipment, telecommunication equipment, home electronic appliances, amusement equipment, etc.). If you intend to use our Products in devices requiring extremely high reliability (such as medical equipment, transport equipment, traffic equipment, aircraft/spacecraft, nuclear power controllers, fuel controllers, car equipment including car accessories, safety devices, etc.) and whose malfunction or failure may cause loss of human life, bodily injury or serious damage to property ("Specific Applications"), please consult with the ROHM sales representative in advance. Unless otherwise agreed in writing by ROHM in advance, ROHM shall not be in any way responsible or liable for any damages, expenses or losses incurred by you or third parties arising from the use of any ROHM's Products for Specific Applications.
- 2) ROHM designs and manufactures its Products subject to strict quality control system. However, semiconductor products can fail or malfunction at a certain rate. Please be sure to implement, at your own responsibilities, adequate safety measures including but not limited to fail-safe design against the physical injury, damage to any property, which a failure or malfunction of our Products may cause. The following are examples of safety measures:
 - [a] Installation of protection circuits or other protective devices to improve system safety
 - [b] Installation of redundant circuits to reduce the impact of single or multiple circuit failure
- 3) Our Products are designed and manufactured for use under standard conditions and not under any special or extraordinary environments or conditions, as exemplified below. Accordingly, ROHM shall not be in any way responsible or liable for any damages, expenses or losses arising from the use of any ROHM's Products under any special or extraordinary environments or conditions. If you intend to use our Products under any special or extraordinary environments or conditions (as exemplified below), your independent verification and confirmation of product performance, reliability, etc. prior to use, must be necessary:
 - [a] Use of our Products in any types of liquid, including water, oils, chemicals, and organic solvents
 - [b] Use of our Products outdoors or in places where the Products are exposed to direct sunlight or dust
 - [c] Use of our Products in places where the Products are exposed to sea wind or corrosive gases, including Cl₂, H₂S, NH₃, SO₂, and NO₂
 - [d] Use of our Products in places where the Products are exposed to static electricity or electromagnetic waves
 - [e] Use of our Products in proximity to heat-producing components, plastic cords, or other flammable items
 - [f] Sealing or coating our Products with resin or other coating materials
 - [g] Use of our Products without cleaning residue of flux (even if you use no-clean type fluxes, cleaning residue of flux is recommended); or Washing our Products by using water or water-soluble cleaning agents for cleaning residue after soldering
 - [h] Use of the Products in places subject to dew condensation
- 4) The Products are not subject to radiation-proof design.
- 5) Please verify and confirm characteristics of the final or mounted products in using the Products.
- 6) In particular, if a transient load (a large amount of load applied in a short period of time, such as pulse) is applied, confirmation of performance characteristics after on-board mounting is strongly recommended. Avoid applying power exceeding normal rated power; exceeding the power rating under steady-state loading condition may negatively affect product performance and reliability.
- 7) De-rate Power Dissipation (Pd) depending on Ambient temperature (Ta). When used in sealed area, confirm the actual ambient temperature.
- 8) Confirm that operation temperature is within the specified range described in the product specification.
- 9) ROHM shall not be in any way responsible or liable for failure induced under deviant condition from what is defined in this document.

●Precaution for Mounting / Circuit board design

- 1) When a highly active halogenous (chlorine, bromine, etc.) flux is used, the residue of flux may negatively affect product performance and reliability.
- 2) In principle, the reflow soldering method must be used; if flow soldering method is preferred, please consult with the ROHM representative in advance.

For details, please refer to ROHM Mounting specification

●Precautions Regarding Application Examples and External Circuits

- 1) If change is made to the constant of an external circuit, please allow a sufficient margin considering variations of the characteristics of the Products and external components, including transient characteristics, as well as static characteristics.
- 2) You agree that application notes, reference designs, and associated data and information contained in this document are presented only as guidance for Products use. Therefore, in case you use such information, you are solely responsible for it and you must exercise your own independent verification and judgment in the use of such information contained in this document. ROHM shall not be in any way responsible or liable for any damages, expenses or losses incurred by you or third parties arising from the use of such information.

●Precaution for Electrostatic

This Product is electrostatic sensitive product, which may be damaged due to electrostatic discharge. Please take proper caution in your manufacturing process and storage so that voltage exceeding the Products maximum rating will not be applied to Products. Please take special care under dry condition (e.g. Grounding of human body / equipment / solder iron, isolation from charged objects, setting of Ionizer, friction prevention and temperature / humidity control).

●Precaution for Storage / Transportation

- 1) Product performance and soldered connections may deteriorate if the Products are stored in the places where:
 - [a] the Products are exposed to sea winds or corrosive gases, including Cl₂, H₂S, NH₃, SO₂, and NO₂
 - [b] the temperature or humidity exceeds those recommended by ROHM
 - [c] the Products are exposed to direct sunshine or condensation
 - [d] the Products are exposed to high Electrostatic
- 2) Even under ROHM recommended storage condition, solderability of products out of recommended storage time period may be degraded. It is strongly recommended to confirm solderability before using Products of which storage time is exceeding the recommended storage time period.
- 3) Store / transport cartons in the correct direction, which is indicated on a carton with a symbol. Otherwise bent leads may occur due to excessive stress applied when dropping of a carton.
- 4) Use Products within the specified time after opening a humidity barrier bag. Baking is required before using Products of which storage time is exceeding the recommended storage time period.

●Precaution for Product Label

QR code printed on ROHM Products label is for ROHM's internal use only.

●Precaution for Disposition

When disposing Products please dispose them properly using an authorized industry waste company.

●Precaution for Foreign Exchange and Foreign Trade act

Since our Products might fall under controlled goods prescribed by the applicable foreign exchange and foreign trade act, please consult with ROHM representative in case of export.

●Precaution Regarding Intellectual Property Rights

- 1) All information and data including but not limited to application example contained in this document is for reference only. ROHM does not warrant that foregoing information or data will not infringe any intellectual property rights or any other rights of any third party regarding such information or data. ROHM shall not be in any way responsible or liable for infringement of any intellectual property rights or other damages arising from use of such information or data.:
- 2) No license, expressly or implied, is granted hereby under any intellectual property rights or other rights of ROHM or any third parties with respect to the information contained in this document.

● **Other Precaution**

- 1) The information contained in this document is provided on an "as is" basis and ROHM does not warrant that all information contained in this document is accurate and/or error-free. ROHM shall not be in any way responsible or liable for any damages, expenses or losses incurred by you or third parties resulting from inaccuracy or errors of or concerning such information.
- 2) This document may not be reprinted or reproduced, in whole or in part, without prior written consent of ROHM.
- 3) The Products may not be disassembled, converted, modified, reproduced or otherwise changed without prior written consent of ROHM.
- 4) In no event shall you use in any way whatsoever the Products and the related technical information contained in the Products or this document for any military purposes, including but not limited to, the development of mass-destruction weapons.
- 5) The proper names of companies or products described in this document are trademarks or registered trademarks of ROHM, its affiliated companies or third parties.

Компания «Океан Электроники» предлагает заключение долгосрочных отношений при поставках импортных электронных компонентов на взаимовыгодных условиях!

Наши преимущества:

- Поставка оригинальных импортных электронных компонентов напрямую с производств Америки, Европы и Азии, а так же с крупнейших складов мира;
- Широкая линейка поставок активных и пассивных импортных электронных компонентов (более 30 млн. наименований);
- Поставка сложных, дефицитных, либо снятых с производства позиций;
- Оперативные сроки поставки под заказ (от 5 рабочих дней);
- Экспресс доставка в любую точку России;
- Помощь Конструкторского Отдела и консультации квалифицированных инженеров;
- Техническая поддержка проекта, помощь в подборе аналогов, поставка прототипов;
- Поставка электронных компонентов под контролем ВП;
- Система менеджмента качества сертифицирована по Международному стандарту ISO 9001;
- При необходимости вся продукция военного и аэрокосмического назначения проходит испытания и сертификацию в лаборатории (по согласованию с заказчиком);
- Поставка специализированных компонентов военного и аэрокосмического уровня качества (Xilinx, Altera, Analog Devices, Intersil, Interpoint, Microsemi, Actel, Aeroflex, Peregrine, VPT, Syfer, Eurofarad, Texas Instruments, MS Kennedy, Miteq, Cobham, E2V, MA-COM, Hittite, Mini-Circuits, General Dynamics и др.);

Компания «Океан Электроники» является официальным дистрибьютором и эксклюзивным представителем в России одного из крупнейших производителей разъемов военного и аэрокосмического назначения «JONHON», а так же официальным дистрибьютором и эксклюзивным представителем в России производителя высокотехнологичных и надежных решений для передачи СВЧ сигналов «FORSTAR».



JONHON

«JONHON» (основан в 1970 г.)

Разъемы специального, военного и аэрокосмического назначения:

(Применяются в военной, авиационной, аэрокосмической, морской, железнодорожной, горно- и нефтедобывающей отраслях промышленности)

«FORSTAR» (основан в 1998 г.)

ВЧ соединители, коаксиальные кабели, кабельные сборки и микроволновые компоненты:

(Применяются в телекоммуникациях гражданского и специального назначения, в средствах связи, РЛС, а так же военной, авиационной и аэрокосмической отраслях промышленности).



Телефон: 8 (812) 309-75-97 (многоканальный)

Факс: 8 (812) 320-03-32

Электронная почта: ocean@oceanchips.ru

Web: <http://oceanchips.ru/>

Адрес: 198099, г. Санкт-Петербург, ул. Калинина, д. 2, корп. 4, лит. А