

Type RN73 Series

Key Features

High precision -
TCR 5ppm/°C and
10ppm/°C

Tolerance down to 0.01%

Thin film (nichrome)

Terminal finish –
electroplated 100% matte
Sn



Applications

Communications

Industrial Controls

Instrumentation

Medical

The RN73 series is a high stability precision chip resistor range offering various power dissipations relating to chip size, TCR's down to 5ppm/°C and resistance tolerances to 0.01%. The resistor is produced with three sputtered layers giving optimum performance. Values are restricted to the E96 and E24 value grids. The RN73 has accurate and uniform physical dimensions to facilitate placement.

Electrical Characteristics

| Rated Power @ 70°C | | 0402 | | | | | | 0603 | | | | | |
|----------------------------------|-----|--------------|------|------|------|------|------|--------------|------|------|------|------|------|
| | | 0.063W | | | | | | 0.063W | | | | | |
| Resistance Range Ω | Min | 49R9 | 49R9 | 49R9 | 49R9 | 49R9 | 49R9 | 24R9 | 24R9 | 24R9 | 4R7 | 24R9 | 4R7 |
| | Max | 20K | 20K | 20K | 20K | 20K | 100K | 60K | 100K | 60K | 332K | 60K | 511K |
| Tolerance (%) | | 0.01 | | 0.05 | | 0.1 | | 0.01 | | 0.05 | | 0.1 | |
| Code Letter | | L | | A | | B | | L | | A | | B | |
| T.C.R. (PPM°C) | | 5 | 10 | 5 | 10 | 5 | 10 | 5 | 10 | 5 | 10 | 5 | 10 |
| Code Letter | | A | C | A | C | A | C | A | C | A | C | A | C |
| Selection Series | | E24 & E96 | | | | | | E24 & E96 | | | | | |
| Max operating Voltage | | 25V | | | | | | 50V | | | | | |
| Max. Overload voltage | | 50V | | | | | | 100V | | | | | |
| Operating Temp. range | | -55 ~ +155°C | | | | | | -55 ~ +155°C | | | | | |
| Insulation Resistance (dry min.) | | >9999MΩ | | | | | | >9999MΩ | | | | | |
| Stability | | 0.5% | | | | | | 0.5% | | | | | |

| | | 0805 | | | | | | 1206 | | | | | |
|----------------------------------|-----|--------------|------|------|-----|------|-----|--------------|------|------|-----|------|-----|
| Rated Power @ 70°C | | 0.1W | | | | | | 0.125W | | | | | |
| Resistance Range Ω | Min | 24R9 | 24R9 | 24R9 | 4R7 | 24R9 | 4R7 | 24R9 | 24R9 | 24R9 | 4R7 | 24R9 | 4R7 |
| | Max | 150K | 200K | 150K | 1M0 | 150K | 1M0 | 300K | 499K | 300K | 1M5 | 300K | 1M5 |
| Tolerance (%) | | 0.01 | | 0.05 | | 0.1 | | 0.01 | | 0.05 | | 0.1 | |
| Code Letter | | L | | A | | B | | L | | A | | B | |
| T.C.R. (PPM°C) | | 5 | 10 | 5 | 10 | 5 | 10 | 5 | 10 | 5 | 10 | 5 | 10 |
| Code Letter | | A | C | A | C | A | C | A | C | A | C | A | C |
| Selection Series | | E24 & E96 | | | | | | E24 & E96 | | | | | |
| Max operating Voltage | | 100V | | | | | | 150V | | | | | |
| Max. Overload voltage | | 200V | | | | | | 300V | | | | | |
| Operating Temp. range | | -55 ~ +155°C | | | | | | -55 ~ +155°C | | | | | |
| Insulation Resistance (dry min.) | | >9999MΩ | | | | | | >9999MΩ | | | | | |
| Stability | | 0.5% | | | | | | 0.5% | | | | | |

| | | 1210 | | | | | | 2010 | | | | | |
|----------------------------------|-----|--------------|------|------|-----|------|-----|--------------|------|------|-----|------|-----|
| Rated Power @ 70°C | | 0.25W | | | | | | 0.25W | | | | | |
| Resistance Range Ω | Min | 24R9 | 24R9 | 24R9 | 4R7 | 24R9 | 4R7 | 24R9 | 24R9 | 24R9 | 4R7 | 24R9 | 4R7 |
| | Max | 300K | 499K | 300K | 1M0 | 300K | 1M0 | 300K | 499K | 300K | 1M0 | 300K | 1M0 |
| Tolerance (%) | | 0.01 | | 0.05 | | 0.1 | | 0.01 | | 0.05 | | 0.1 | |
| Code Letter | | L | | A | | B | | L | | A | | B | |
| T.C.R. (PPM°C) | | 5 | 10 | 5 | 10 | 5 | 10 | 5 | 10 | 5 | 10 | 5 | 10 |
| Code Letter | | A | C | A | C | A | C | A | C | A | C | A | C |
| Selection Series | | E24 & E96 | | | | | | E24 & E96 | | | | | |
| Max operating Voltage | | 150V | | | | | | 150V | | | | | |
| Max. Overload voltage | | 300V | | | | | | 300V | | | | | |
| Operating Temp. range | | -55 ~ +155°C | | | | | | -55 ~ +155°C | | | | | |
| Insulation Resistance (dry min.) | | >9999MΩ | | | | | | >9999MΩ | | | | | |
| Stability | | 0.5% | | | | | | 0.5% | | | | | |

| | | 2512 | | | | | |
|----------------------------------|-----|--------------|------|------|-----|------|-----|
| Rated Power @ 70°C | | 0.5W | | | | | |
| Resistance Range Ω | Min | 24R9 | 24R9 | 24R9 | 4R7 | 24R9 | 4R7 |
| | Max | 300K | 499K | 300K | 1M0 | 300K | 1M0 |
| Tolerance (%) | | 0.01 | | 0.05 | | 0.1 | |
| Code Letter | | L | | A | | B | |
| T.C.R. (PPM°C) | | 5 | 10 | 5 | 10 | 5 | 10 |
| Code Letter | | A | C | A | C | A | C |
| Selection Series | | E24 & E96 | | | | | |
| Max operating Voltage | | 150V | | | | | |
| Max. Overload voltage | | 300V | | | | | |
| Operating Temp. range | | -55 ~ +155°C | | | | | |
| Insulation Resistance (dry min.) | | >9999MΩ | | | | | |
| Stability | | 0.5% | | | | | |

Operating Voltage= $\sqrt{P \cdot R}$ or Max. operating voltage listed above, whichever is lower.

Overload Voltage= $2.5 \cdot \sqrt{P \cdot R}$ or Max. overload voltage listed above, whichever is lower.

Environmental Characteristics

| Item | Requirement | | Test Method |
|---|--|-----------------------|--|
| | Tol. $\leq 0.05\%$ | TOL. $> 0.05\%$ | |
| Temperature Coefficient of Resistance (TCR) | As per TCRs specified in Electrical Characteristics tables | | MIL-STD-202 Method 304 +25/-55/+25/+125/+25°C |
| Short Time Overload | $\Delta R \pm 0.05\%$ | $\Delta R \pm 0.2\%$ | JIS-C-5201-1 5.5 RCWV*2.5 or Max. overload voltage whichever is lower for 5 seconds |
| Insulation Resistance | $> 9999 M\Omega$ | | MIL-STD-202 Method 302 Apply 100VDC for 1 minute |
| Endurance | $\Delta R \pm 0.05\%$ | $\Delta R \pm 0.2\%$ | MIL-STD-202 Method 108A 70 \pm 2°C, RCWV for 1000 hrs with 1.5 hrs "ON" and 0.5 hrs "OFF" |
| | $> 7k\Omega$ $\Delta R \pm 0.5\%$ | | |
| Damp Heat with Load | $\Delta R \pm 0.05\%$ | $\Delta R \pm 0.3\%$ | MIL-STD-202 Method 103B 40 \pm 2°C, 90~95% R.H. RCWV for 1000 hrs with 1.5 hrs "ON" and 0.5 hrs "OFF" |
| Bending Strength | $\Delta R \pm 0.05\%$ | $\Delta R \pm 0.1\%$ | JIS-C-5201-1 6.1.4 Bending amplitude 3 mm for 10 seconds |
| Solderability | 95% min. coverage | | MIL-STD-202 Method 208H 245 \pm 5°C for 3 seconds |
| Resistance to Soldering Heat | $\Delta R \pm 0.05\%$ | $\Delta R \pm 0.2\%$ | MIL-STD-202 Method 210E 260 \pm 5°C for 10 seconds |
| Dielectric Withstand Voltage | By Type | | MIL-STD-202 Method 301 Max. overload voltage for 1 minute |
| Thermal Shock | $\Delta R \pm 0.05\%$ | $\Delta R \pm 0.25\%$ | MIL-STD-202 Method 107G -55°C ~150°C, 100 cycles |
| Low Temperature Operation | $\Delta R \pm 0.05\%$ | $\Delta R \pm 0.2\%$ | JIS-C-5201-1 7.1 1 hour, -65°C, followed by 45 minutes of RCWV |
| High Temperature Exposure | $\Delta R \pm 0.5\%$ | | MIL-STD-202 Method 108 At 155°C for 1000 hours |

Storage Temperature: 25 \pm 3°C; Humidity < 80%RH

Derating Curve



For resistors operated in ambient temperatures above 70°C, power rating must be derated in accordance with this curve

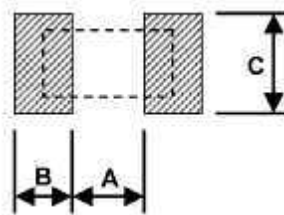
Construction and dimensions



| | | |
|-------------------------|---------------------------|-------------------------|
| ① Alumina Substrate | ④ Edge Electrode (NiCr) | ⑦ Resistor Layer (NiCr) |
| ② Bottom Electrode (Ag) | ⑤ Barrier Layer (Ni) | ⑧ Overcoat (Epoxy) |
| ③ Top Electrode (Ag) | ⑥ External Electrode (Sn) | ⑨ Marking |

| Size | L (mm) | W (mm) | T (mm) | D1 (mm) | D2 (mm) | Weight (g) (1000 Pcs.) |
|------|-----------|-----------|-----------|-----------|-----------|---------------------------|
| 0402 | 1.00±0.05 | 0.50±0.05 | 0.30±0.05 | 0.20±0.10 | 0.20±0.10 | 0.54 |
| 0603 | 1.55±0.10 | 0.80±0.10 | 0.45±0.10 | 0.30±0.20 | 0.30±0.20 | 1.83 |
| 0805 | 2.00±0.15 | 1.25±0.15 | 0.55±0.10 | 0.30±0.20 | 0.40±0.20 | 4.71 |
| 1206 | 3.05±0.15 | 1.55±0.15 | 0.55±0.10 | 0.42±0.20 | 0.35±0.25 | 9.02 |
| 1210 | 3.10±0.15 | 2.40±0.15 | 0.55±0.10 | 0.40±0.20 | 0.55±0.25 | 10 |
| 2010 | 4.90±0.15 | 2.40±0.15 | 0.55±0.10 | 0.60±0.30 | 0.50±0.25 | 23.61 |
| 2512 | 6.30±0.15 | 3.10±0.15 | 0.55±0.10 | 0.60±0.30 | 0.50±0.25 | 38.06 |

Suggested PCB Layout Plan



| Recommended Land Pattern | | | |
|--------------------------|------|------|----------|
| Size | A | B | C |
| 0402 | 0.50 | 0.50 | 0.60±0.2 |
| 0603 | 0.80 | 1.00 | 0.90±0.2 |
| 0805 | 1.00 | 1.00 | 1.35±0.2 |
| 1206 | 2.00 | 1.15 | 1.70±0.2 |
| 1210 | 2.00 | 1.15 | 2.50±0.2 |
| 2010 | 3.60 | 1.40 | 2.50±0.2 |
| 2512 | 4.90 | 1.60 | 3.10±0.2 |

Marking

Case sizes 0805 to 2512 IEC 4 Digit Marking:

| | | | | | |
|------------|-------------|-------------|------------|--------------|--------------|
| Resistance | 100R (100Ω) | 2K2 (2.2kΩ) | 10K (10kΩ) | 499K (499kΩ) | 100K (100kΩ) |
| Code | 1000 | 2201 | 1002 | 4992 | 1003 |

Case Size 0603 E24 3 digit marking – Example 101 = 100R 102=1K0

| | | | | | | | | | | | | |
|-----|----|----|----|----|----|----|----|----|----|----|----|----|
| E24 | 10 | 11 | 12 | 13 | 15 | 16 | 18 | 20 | 22 | 24 | 27 | 30 |
| | 33 | 36 | 39 | 43 | 47 | 51 | 56 | 62 | 68 | 75 | 82 | 91 |

Case size 0603 E96 3 digit marking – Examples 14C = 13K7 68B = 4K99 68X = 49R9

| Code | E96 | Code | E96 | Code | E96 | Code | E96 |
|------|-----|------|-----|------|-----|------|-----|
| 01 | 100 | 25 | 178 | 49 | 316 | 73 | 562 |
| 02 | 102 | 26 | 182 | 50 | 324 | 74 | 576 |
| 03 | 105 | 27 | 187 | 51 | 332 | 75 | 590 |
| 04 | 107 | 28 | 191 | 52 | 340 | 76 | 604 |
| 05 | 110 | 29 | 196 | 53 | 348 | 77 | 619 |
| 06 | 113 | 30 | 200 | 54 | 357 | 78 | 634 |
| 07 | 115 | 31 | 205 | 55 | 365 | 79 | 649 |
| 08 | 118 | 32 | 210 | 56 | 374 | 80 | 665 |
| 09 | 121 | 33 | 215 | 57 | 383 | 81 | 681 |
| 10 | 124 | 34 | 221 | 58 | 392 | 82 | 698 |
| 11 | 127 | 35 | 226 | 59 | 402 | 83 | 715 |
| 12 | 130 | 36 | 232 | 60 | 412 | 84 | 732 |
| 13 | 133 | 37 | 237 | 61 | 422 | 85 | 750 |
| 14 | 137 | 38 | 243 | 62 | 432 | 86 | 768 |
| 15 | 140 | 39 | 249 | 63 | 442 | 87 | 787 |
| 16 | 143 | 40 | 255 | 64 | 453 | 88 | 806 |
| 17 | 147 | 41 | 261 | 65 | 464 | 89 | 825 |
| 18 | 150 | 42 | 267 | 66 | 475 | 90 | 845 |
| 19 | 154 | 43 | 274 | 67 | 487 | 91 | 866 |
| 20 | 158 | 44 | 280 | 68 | 499 | 92 | 887 |
| 21 | 162 | 45 | 287 | 69 | 511 | 93 | 909 |
| 22 | 165 | 46 | 294 | 70 | 523 | 94 | 931 |
| 23 | 169 | 47 | 301 | 71 | 536 | 95 | 953 |
| 24 | 174 | 48 | 309 | 72 | 549 | 96 | 976 |

| Code | A | B | C | D | E | F | G | H | X | Y | Z |
|------------|-----------------|-----------------|-----------------|-----------------|-----------------|-----------------|-----------------|-----------------|------------------|------------------|------------------|
| Multiplier | 10 ⁰ | 10 ¹ | 10 ² | 10 ³ | 10 ⁴ | 10 ⁵ | 10 ⁶ | 10 ⁷ | 10 ⁻¹ | 10 ⁻² | 10 ⁻³ |

NB For case size 0603 values other than E24 and E96 resistors will be supplied unmarked.

All resistors smaller than 0603 supplied unmarked.

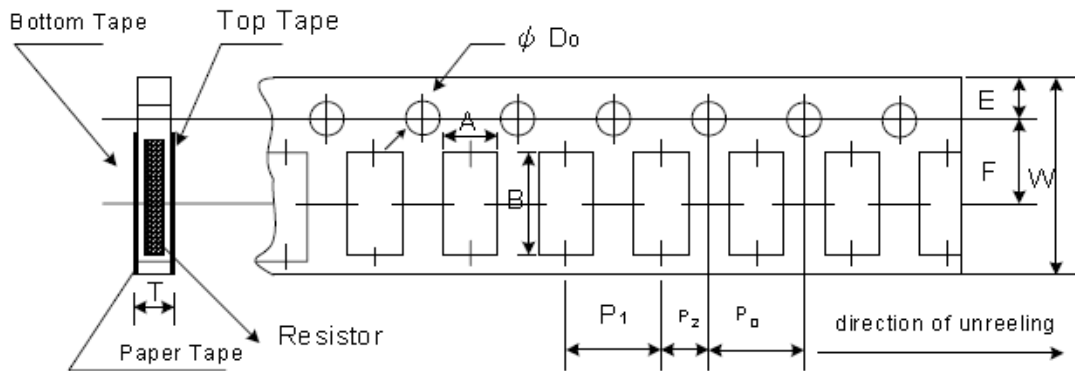
Packaging

Packing Quantity and Reel Specification



| Size | $\varnothing A \pm 1.0$ | $\varnothing B \pm 1.0$ | $\varnothing C \pm 0.7$ | $W \pm 1.0$ | $T \pm 1.0$ | Paper Tape | Embossed Plastic Tape |
|------|-------------------------|-------------------------|-------------------------|-------------|-------------|-------------|-----------------------|
| 0402 | 178.0 | 60.0 | 13.5 | 9.5 | 11.5 | 1000 / 5000 | N/A |
| 0603 | | | | | | | |
| 0805 | | | | | | | |
| 1206 | | | | | | | |
| 1210 | | | | | | | |
| 2010 | 13.5 | 15.5 | N/A | 4000 | | | |
| 2512 | | | | | | | |

Paper tape Specification



| Size | $A \pm 0.05$ | $B \pm 0.05$ | $W \pm 0.10$ | $E \pm 0.05$ | $F \pm 0.05$ | P_0 | P_1 | $P_2 \pm 0.05$ | $\varnothing D_0$ | T |
|------|--------------|--------------|--------------|--------------|--------------|-----------------|-----------------|----------------|-------------------|-----------------|
| 0402 | 0.70 | 1.16 | 8.00 | 1.75 | 3.5 | 4.00 ± 0.10 | 2.00 ± 0.05 | 2.00 | 1.55 ± 0.05 | 0.40 ± 0.03 |
| 0603 | 1.10 | 1.90 | | | | | 4.00 ± 0.10 | | | 0.60 ± 0.03 |
| 0805 | 1.60 | 2.37 | | | | | 4.00 ± 0.10 | | | 0.75 ± 0.05 |
| 1206 | 2.00 | 3.55 | | | | | 4.00 ± 0.05 | | | 1.60 ± 0.10 |
| 1210 | 2.75 | 3.40 | | | | | 4.00 ± 0.05 | | | 1.60 ± 0.10 |

Peel force of top cover tape

The peel speed shall be about 300mm/min±5%

The peel force of top cover tape shall be between 8gf to 60gf



Embossed Plastic Tape Specifications



| Type | A | B | W | E | F | P ₀ | P ₁ | P ₂ | ØD ₀ | T |
|------|-----------|-----------|-----------|-----------|----------|----------------|----------------|----------------|-----------------|-----------|
| 2010 | 2.85±0.10 | 5.45±0.10 | 12.0±0.10 | 1.75±0.10 | 5.5±0.05 | 4.00±0.05 | 4.00±0.10 | 2.00±0.05 | 1.50±0.10 | 1.00±0.20 |
| 2512 | 3.40±0.10 | 6.65±0.10 | 12.0±0.10 | 1.75±0.10 | 5.5±0.05 | 4.00±0.05 | 4.00±0.10 | 2.00±0.05 | 1.50±0.10 | 1.00±0.20 |

Peel force of top cover tape

The peel speed shall be about 300mm/min±5%

The peel force of top cover tape shall be between 20gf to 80g



Reflow Solder Profile



Time of Reflow soldering at maximum temperature point 260°C = 10s

Wave Solder Profile



Time of Wave soldering at maximum temperature point 260°C = 10s

Time of Soldering Iron at maximum temperature point 410°C = 5s

How To Order

| RN73 | C | 2A | 100R | B | TD |
|---------------------------------|---|---|--|---|--|
| Common Part | TCR | Package Size | Value | Tolerance | Packaging |
| RN73 - High Precision Resistors | A - ±5ppm/°C *C - ±10ppm/°C *preferred stock item | 1E - 0402 1J - 0603 2A - 0805 2B - 1206 2E - 1210 2H - 2010 3A - 2512 | 100R (100Ω) 1K0 (1000Ω) 100K (100,000 Ω) | L - ±0.01% A - ±0.05% B - ±0.1% | TG - 250 cut tape length (1E, 1J, 2A, 2B) TDF - 1000 reel (1E, 1J, 2A, 2B) TD - 5000 reel (1E, 1J, 2A, 2B, 2E) TE - 4000 reel (2H, 3A only) |

Компания «Океан Электроники» предлагает заключение долгосрочных отношений при поставках импортных электронных компонентов на взаимовыгодных условиях!

Наши преимущества:

- Поставка оригинальных импортных электронных компонентов напрямую с производств Америки, Европы и Азии, а так же с крупнейших складов мира;
- Широкая линейка поставок активных и пассивных импортных электронных компонентов (более 30 млн. наименований);
- Поставка сложных, дефицитных, либо снятых с производства позиций;
- Оперативные сроки поставки под заказ (от 5 рабочих дней);
- Экспресс доставка в любую точку России;
- Помощь Конструкторского Отдела и консультации квалифицированных инженеров;
- Техническая поддержка проекта, помощь в подборе аналогов, поставка прототипов;
- Поставка электронных компонентов под контролем ВП;
- Система менеджмента качества сертифицирована по Международному стандарту ISO 9001;
- При необходимости вся продукция военного и аэрокосмического назначения проходит испытания и сертификацию в лаборатории (по согласованию с заказчиком);
- Поставка специализированных компонентов военного и аэрокосмического уровня качества (Xilinx, Altera, Analog Devices, Intersil, Interpoint, Microsemi, Actel, Aeroflex, Peregrine, VPT, Syfer, Eurofarad, Texas Instruments, MS Kennedy, Miteq, Cobham, E2V, MA-COM, Hittite, Mini-Circuits, General Dynamics и др.);

Компания «Океан Электроники» является официальным дистрибьютором и эксклюзивным представителем в России одного из крупнейших производителей разъемов военного и аэрокосмического назначения «JONHON», а так же официальным дистрибьютором и эксклюзивным представителем в России производителя высокотехнологичных и надежных решений для передачи СВЧ сигналов «FORSTAR».



JONHON

«JONHON» (основан в 1970 г.)

Разъемы специального, военного и аэрокосмического назначения:

(Применяются в военной, авиационной, аэрокосмической, морской, железнодорожной, горно- и нефтедобывающей отраслях промышленности)

«FORSTAR» (основан в 1998 г.)

ВЧ соединители, коаксиальные кабели, кабельные сборки и микроволновые компоненты:

(Применяются в телекоммуникациях гражданского и специального назначения, в средствах связи, РЛС, а так же военной, авиационной и аэрокосмической отраслях промышленности).



Телефон: 8 (812) 309-75-97 (многоканальный)

Факс: 8 (812) 320-03-32

Электронная почта: ocean@oceanchips.ru

Web: <http://oceanchips.ru/>

Адрес: 198099, г. Санкт-Петербург, ул. Калинина, д. 2, корп. 4, лит. А