

# VSC8512

## 12-Port 10/100/1000BASE-T PHY with SGMII and QSGMII MAC Interface

Microsemi's next-generation triple-speed PHY delivers the industry's lowest power Gigabit Ethernet physical media solution.

The VSC8512 is the industry's first 12-port Gigabit Ethernet copper PHY solution in a single package. The VSC8512 leverages Microsemi's new 65 nm SimpliPHY™ technology, resulting in the one of the most cost-effective and lowest power consumption devices in the industry. The single chip solution includes the most advanced Ethernet energy efficiency features for bringing green technology solutions to market.

The VSC8512 employs the latest QSGMII MAC interface to reduce PCB routing to a MAC, switch, or ASIC chip. The VSC8512 is ideal for high-density switch and router applications, enabling Ethernet multiport systems to achieve very low system Bill of Material (BOM) costs, reducing overall production costs for more cost-effective deployments.

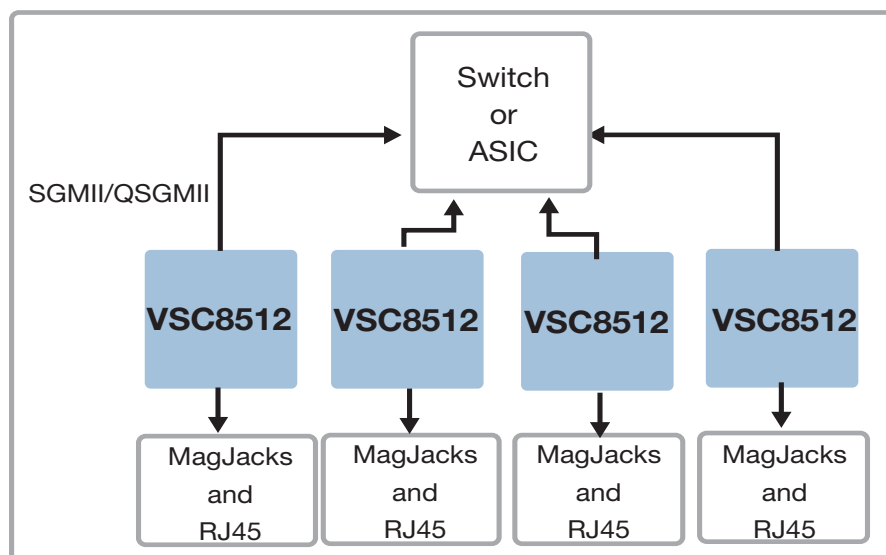
SimpliPHY devices use field-proven, fully adaptive equalization and innovative timing recovery algorithms for unparalleled noise tolerance performance. SimpliPHY devices are based on patented, fully balanced voltage-mode line driver technology, which allows lower cost magnetics to be used.

### Highlights

- 12 GbE PHYs in a single package
- Four dual media copper/fiber ports
- Lowest BOM solution requires only two voltage planes

### Applications

- Ethernet switches and routers
- Edge and Access platforms
- Blade servers



Microsemi makes no warranty, representation, or guarantee regarding the information contained herein or the suitability of its products and services for any particular purpose, nor does Microsemi assume any liability whatsoever arising out of the application or use of any product or circuit. The products sold hereunder and any other products sold by Microsemi have been subject to limited testing and should not be used in conjunction with mission-critical equipment or applications. Any performance specifications are believed to be reliable but are not verified, and Buyer must conduct and complete all performance and other testing of the products, alone and together with, or installed in, any end-products. Buyer shall not rely on any data and performance specifications or parameters provided by Microsemi. It is the Buyer's responsibility to independently determine suitability of any products and to test and verify the same. The information provided by Microsemi hereunder is provided "as is, where is" and with all faults, and the entire risk associated with such information is entirely with the Buyer. Microsemi does not grant, explicitly or implicitly, to any party any patent rights, licenses, or any other IP rights, whether with regard to such information itself or anything described by such information. Information provided in this document is proprietary to Microsemi, and Microsemi reserves the right to make any changes to the information in this document or to any products and services at any time without notice.

# VSC8512

## 12-Port 10/100/1000BASE-T PHY with SGMII and QSGMII MAC Interface

### Best-in-Class Power Consumption

- Lowest power GbE PHY in the industry, using Microsemi's 65 nm SimpliPHY™ technology
- Green energy efficiency modes including ActiPHY™, Perfect-Reach™, and Draft IEEE 802.3az
- Programmable direct drive LEDs with adjustable brightness levels
- Optimal power consumption for all link speeds

### Features

- 12 integrated 10/100/1000BASE-T full and half duplex Ethernet transceivers with VeriPHY™ cable diagnostics
- SGMII and QSGMII SerDes MAC interfaces
- Four dual media copper/fiber ports with unidirectional IEEE 802.3ah support
- Patented line driver with low EMI voltage mode and integrated line side termination resistors
- Integrated quad I2C mux to control SFP and PoE modules
- Recovered clock outputs with programmable clock squelch control and fast link failure indication (<1 ms) for G.8261 SyncE applications
- Jumbo frame support up to 16 kB with programmable synchronization FIFOs
- Integrated AC-coupling capacitors on the MAC interface
- Extensive test features including loopbacks, packet generators, and CRC counters
- HP auto-MDIX support

### Key Specifications

- 1.0 V core power supply
- 2.5 V I/O power supplies
- 3.3 V-tolerant 2.5 V inputs
- 27 mm × 27 mm ball grid array package
- Supports SGMII v1.9 and QSGMII v1.3, 1000BASE-X MACs, IEEE 1149.1 JTAG boundary scan, and IEEE 1149.6 AC-JTAG
- Compliant with IEEE 802.3 (10BASE-T, 10BASE-Te, 100BASE-TX, 1000BASE-T, 100BASE-FX, and 1000BASE-X)

### Related Products

Visit [www.microsemi.com](http://www.microsemi.com) for information about these related products:

- Ethernet switches and MACs
- 10G PHY solutions
- Electronic Dispersion Compensation CDRs



**Microsemi**

**Microsemi Corporate Headquarters**  
One Enterprise, Aliso Viejo, CA 92656 USA  
Within the USA: +1 (800) 713-4113  
Outside the USA: +1 (949) 380-6100  
Sales: +1 (949) 380-6136  
Fax: +1 (949) 215-4996  
email: [sales.support@microsemi.com](mailto:sales.support@microsemi.com)  
[www.microsemi.com](http://www.microsemi.com)

Microsemi Corporation (Nasdaq: MSCC) offers a comprehensive portfolio of semiconductor and system solutions for communications, defense and security, aerospace, and industrial markets. Products include high-performance and radiation-hardened analog mixed-signal integrated circuits, FPGAs, SoCs, and ASICs; power management products; timing and synchronization devices and precise time solutions; voice processing devices; RF solutions; discrete components; enterprise storage and communications solutions, security technologies, and scalable anti-tamper products; Ethernet solutions; Power-over-Ethernet ICs and midspans; custom design capabilities and services. Microsemi is headquartered in Aliso Viejo, California, and has approximately 4,800 employees worldwide. Learn more at [www.microsemi.com](http://www.microsemi.com).

Компания «Океан Электроники» предлагает заключение долгосрочных отношений при поставках импортных электронных компонентов на взаимовыгодных условиях!

Наши преимущества:

- Поставка оригинальных импортных электронных компонентов напрямую с производств Америки, Европы и Азии, а так же с крупнейших складов мира;
- Широкая линейка поставок активных и пассивных импортных электронных компонентов (более 30 млн. наименований);
- Поставка сложных, дефицитных, либо снятых с производства позиций;
- Оперативные сроки поставки под заказ (от 5 рабочих дней);
- Экспресс доставка в любую точку России;
- Помощь Конструкторского Отдела и консультации квалифицированных инженеров;
- Техническая поддержка проекта, помощь в подборе аналогов, поставка прототипов;
- Поставка электронных компонентов под контролем ВП;
- Система менеджмента качества сертифицирована по Международному стандарту ISO 9001;
- При необходимости вся продукция военного и аэрокосмического назначения проходит испытания и сертификацию в лаборатории (по согласованию с заказчиком);
- Поставка специализированных компонентов военного и аэрокосмического уровня качества (Xilinx, Altera, Analog Devices, Intersil, Interpoint, Microsemi, Actel, Aeroflex, Peregrine, VPT, Syfer, Eurofarad, Texas Instruments, MS Kennedy, Miteq, Cobham, E2V, MA-COM, Hittite, Mini-Circuits, General Dynamics и др.);

Компания «Океан Электроники» является официальным дистрибьютором и эксклюзивным представителем в России одного из крупнейших производителей разъемов военного и аэрокосмического назначения «JONHON», а так же официальным дистрибьютором и эксклюзивным представителем в России производителя высокотехнологичных и надежных решений для передачи СВЧ сигналов «FORSTAR».



## JONHON

«JONHON» (основан в 1970 г.)

Разъемы специального, военного и аэрокосмического назначения:

(Применяются в военной, авиационной, аэрокосмической, морской, железнодорожной, горно- и нефтедобывающей отраслях промышленности)

«FORSTAR» (основан в 1998 г.)

ВЧ соединители, коаксиальные кабели,  
кабельные сборки и микроволновые компоненты:

(Применяются в телекоммуникациях гражданского и специального назначения, в средствах связи, РЛС, а так же военной, авиационной и аэрокосмической отраслях промышленности).



Телефон: 8 (812) 309-75-97 (многоканальный)

Факс: 8 (812) 320-03-32

Электронная почта: [ocean@oceanchips.ru](mailto:ocean@oceanchips.ru)

Web: <http://oceanchips.ru/>

Адрес: 198099, г. Санкт-Петербург, ул. Калинина, д. 2, корп. 4, лит. А