

## Features

- 3535 UV LED
- ROHS and REACH Compliant
- MSL 3 qualified according to J-STD 020
- ESD 8KV

## Applications

- UV Curing
- Medical applications
- Counterfeit Detection
- Purification

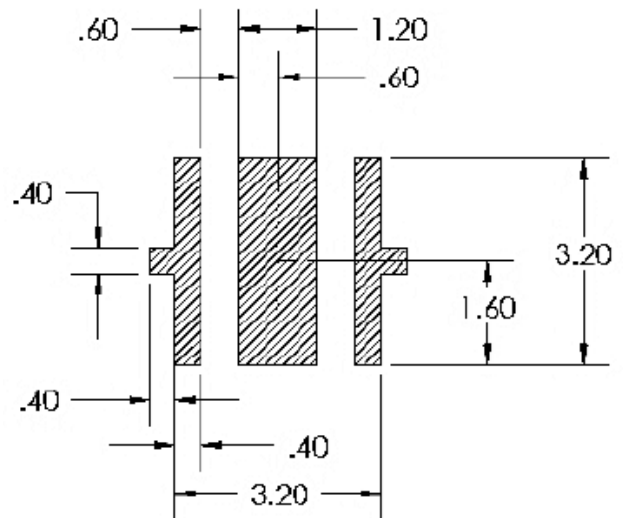
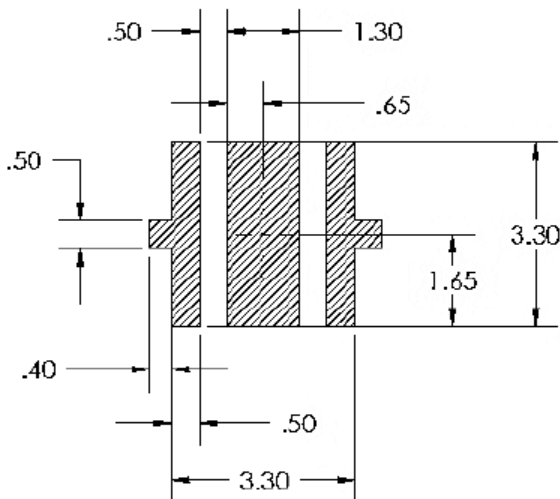
## Description

The IN-C33(X)TN UV series is a high-power UV LED. It is a SMD type LED which can be used in various applications.



## Recommended Solder Pattern

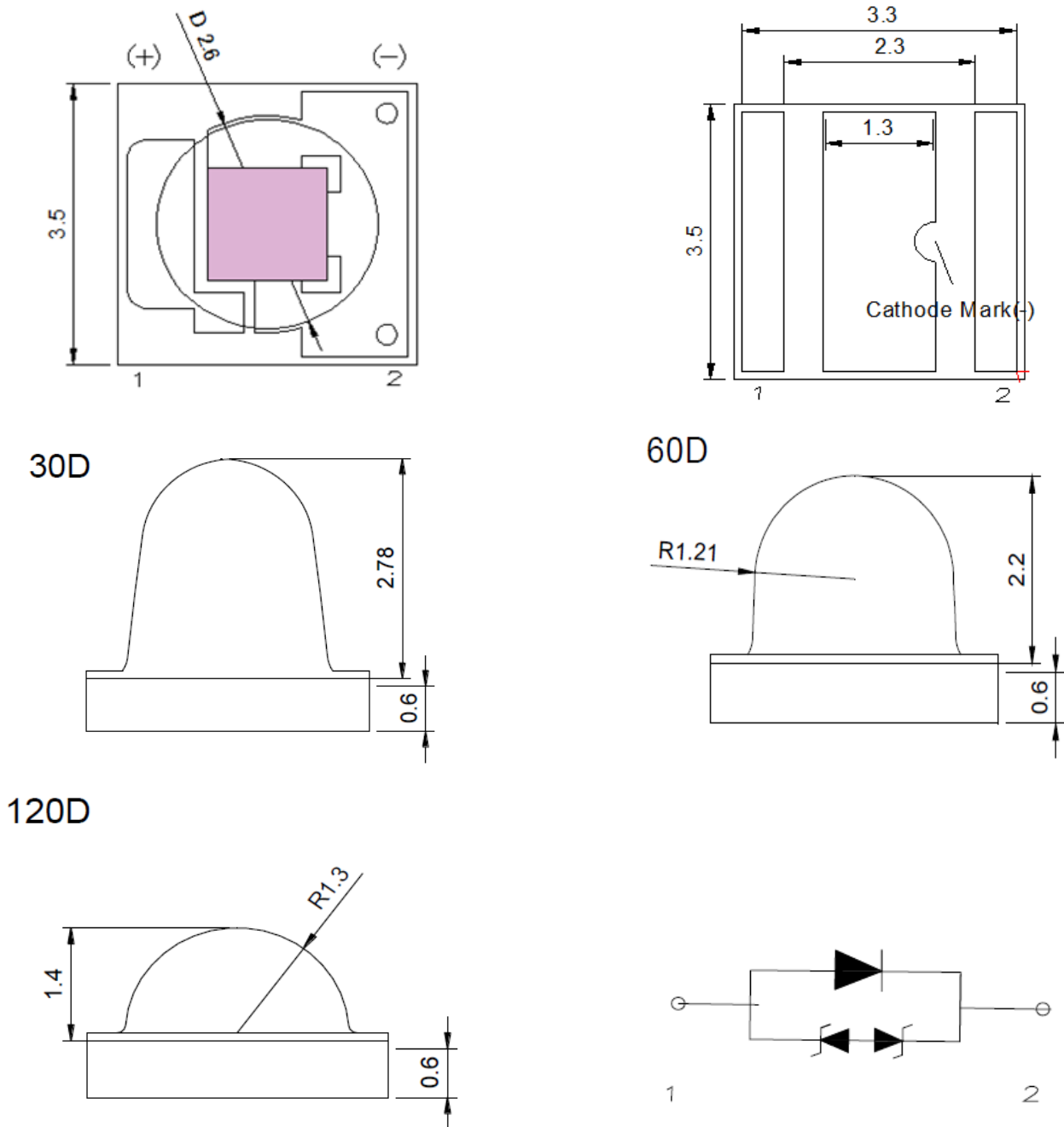
(Suggest Stencil t=0.12 mm)



**Figure 1. IN-C33ATN / IN-C33BTN / IN-C33CTN Recommended Solder Pattern**

### Note:

- \* All dimensions are in millimeters.
- \* Tolerance is  $\pm 0.13\text{mm}$  unless other specified.

**Package Dimensions**

**Figure 2. IN-C33ATN / IN-C33BTN / IN-C33CTN Package Dimension**
**Note:**

All dimensions are in millimeters.

Tolerance is  $\pm 0.13\text{mm}$  unless other specified.

### Absolute Maximum Rating at 25°C

| Characteristics                            | Symbol          | Min. | Typical   | Max. | Unit    |
|--|-----------------|------|-----------|------|---------|
| DC Forward Current <sup>1</sup>            | $I_F$           |      | 500       | 1000 | mA      |
| Pulse Current (@1/10 duty) <sup>2</sup>    | $I_P$           |      |           | 1500 | mA      |
| Forward Voltage                            | $V_F$           | 3.2  |           | 3.8  | V       |
| Reverse Voltage                            | $V_R$           |      |           | -5   | V       |
| Leakage Current (5V)                       | $I_R$           |      |           | 10   | $\mu$ A |
| Junction Temperature <sup>3</sup>          | $T_j$           |      | 150       |      | °C      |
| Operating Temperature Range                | $T_{opr}$       | -40  | -         | 125  | °C      |
| Storage Temperature Range                  | $T_{stg}$       | -40  | -         | 125  | °C      |
| Soldering Temperature                      | $T_{sol}$       |      |           | 260  | °C      |
| Thermal Resistance Junction / Solder Point | $R_{th}$        |      | 4.5       |      | °C/W    |
| Viewing Angle <sup>4</sup>                 | $2\theta_{1/2}$ |      | 30/60/120 |      | Deg     |

**Notes:**

1. When operating at other than ambient temperature, maximum allowable current depends on derating curves.
2. Pulse width = 0.01s & duty factor = 1/10.
3. When operating at maximum allowable current,  $T_j$  must be below 150 °C.
4. Viewing angle tolerance is  $\pm 10^\circ$ .

### Electrical Characteristics $T_A = 25^\circ\text{C}$ (Note 1)

| Product   | $V_F(\text{V})@500\text{mA}$ |     |     | Viewing Angle   | $I_R(\mu\text{A})@V_R=5\text{V}$ |
|---|------------------------------|-----|-----|-----------------|----------------------------------|
|   | min                          | typ | max | $2\theta_{1/2}$ | max                              |
| IN-C33ATN UV Series<br>IN-C33BTN UV Series<br>IN-C33CTN UV Series | 3.2                          | --- | 3.8 | 30/60/120       | 10                               |

**Notes:**

1. Performance guaranteed only under conditions listed in above tables.

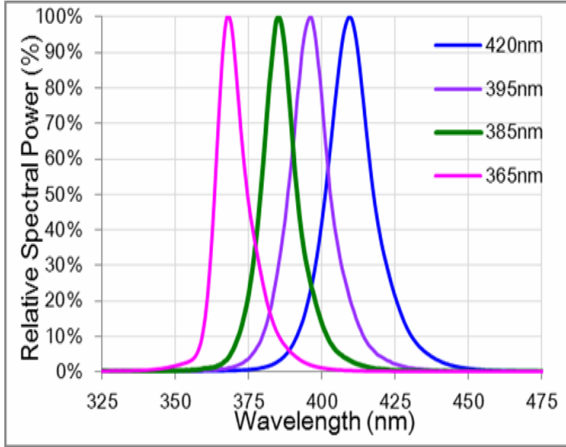
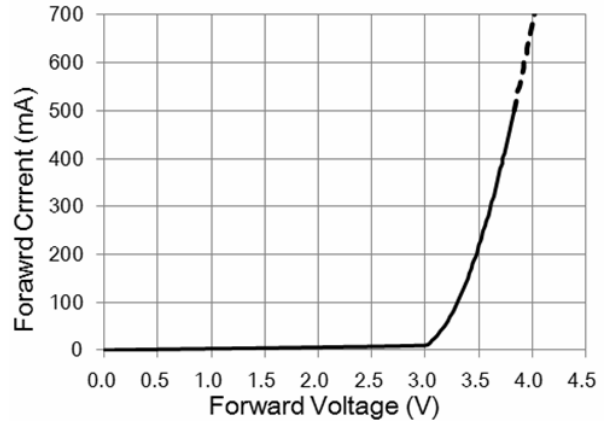
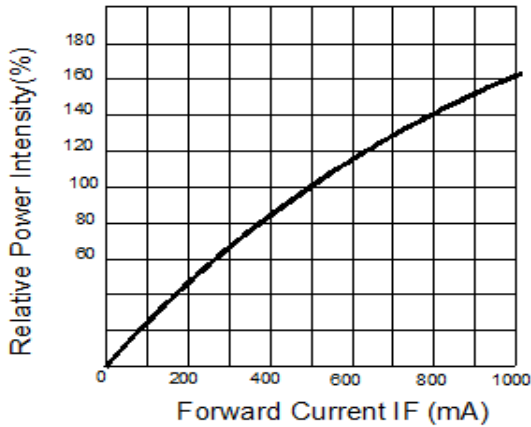
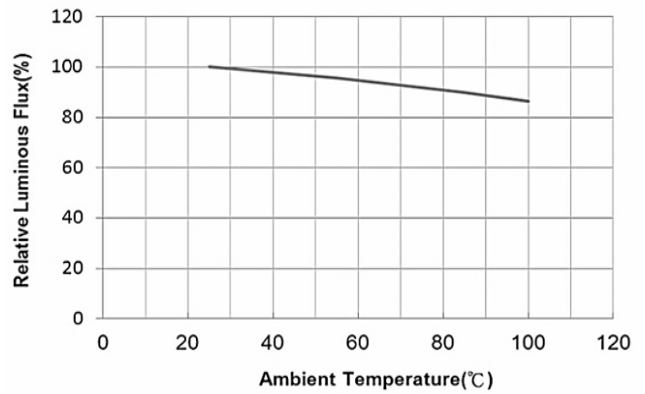
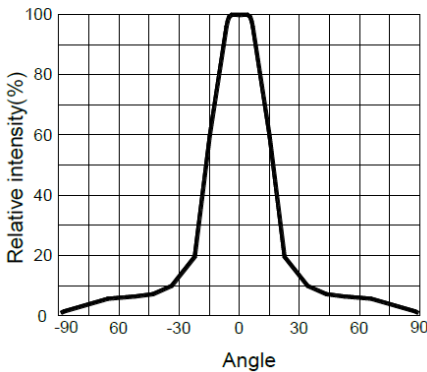
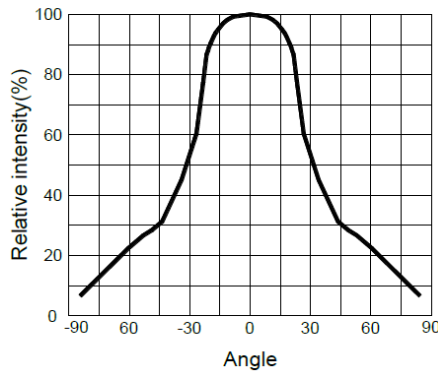
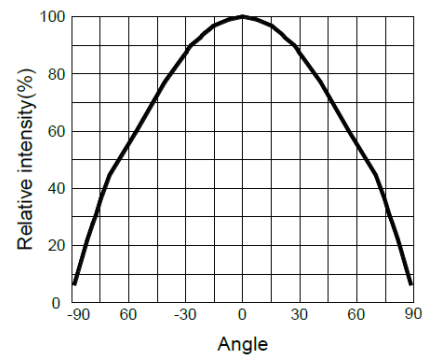
### ESD Precaution

ATTENTION: Electrostatic Discharge (ESD) protection



The symbol above denotes that ESD precaution is needed. ESD protection for GaP and AlGaAs based chips is necessary even though they are relatively safe in the presence of low static-electric discharge. Parts built with AlInGaP, GaN, or/and InGaN based chips are STATIC SENSITIVE devices. ESD precaution must be taken during design and assembly. If manual work or processing is needed, please ensure the device is adequately protected from ESD during the process.

Please be advised that normal static precautions should be taken in the handling and assembly of this device to prevent damage or degradation which may be induced by electrostatic discharge (ESD).

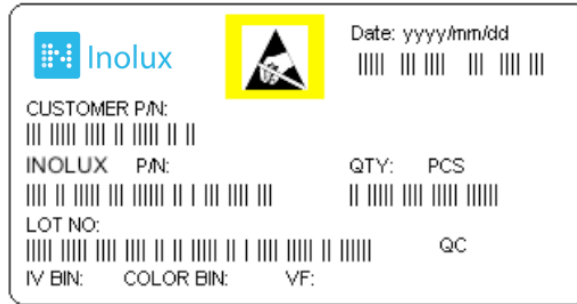
**Electronic-Optical Characteristics**
**Relative Spectral Power Distribution**

**Forward Current vs. Forward Voltage (Ta=25°C)**

**Relative Radiant Flux vs. Forward Current (Ta=25°C)**

**Relative Radiant Flux vs. Ambient Temperature (IF=500mA)**

**Beam angle (2θ1/2)**
**Beam Angle 30D**

**Beam Angle 60D**

**Beam Angle 120D**

**Notes:**

Viewing angle(2θ1/2) ± 10°

**Ordering Information**

| Product     | Emission Color | Viewing Angle | Orderable Part Number |
|-------------|----------------|---------------|-----------------------|
| IN-C33(X)TN | U2:365~370nm   | 30°           | IN-C33ATNU2           |
|             |                | 60°           | IN-C33BTNU2           |
|             |                | 120°          | IN-C33CTNU2           |
|             | U4:380~390nm   | 30°           | IN-C33ATNU4           |
|             |                | 60°           | IN-C33BTNU4           |
|             |                | 120°          | IN-C33CTNU4           |
|             | U5:390~400nm   | 30°           | IN-C33ATNU5           |
|             |                | 60°           | IN-C33BTNU5           |
|             |                | 120°          | IN-C33CTNU5           |

**Label Specifications**



**Inolux P/N:**

| I          | N | -                | C  | 3         | 3             | X         | T               | N  |                      | X | - | X | X | X | X |
|------------|---|------------------|--|-----------|---------------|-----------|-----------------|--|----------------------|---|---|---|---|---|---|
| Inolux SMD |   | Material         | Package  | Variation | Orientation   | Current   | Lens            | Color  | Customized Stamp-off |   |   |   |   |   |   |
|            |   | C = Ceramic Type | 33A = 3.5 x 3.5 30 Deg.<br>33B = 3.5 x 3.5, 60 Deg.<br>33C = 3.5 x 3.5, 120 Deg. |           | T = Top Mount | N = 500mA | (Blank) = Clear | U5 = 390-400nm<br>U4 = 380-390nm<br>U2 = 365-370nm |                      |   |   |   |   |   |   |

**Lot No.:**

|                  |                          |   |   |   |       |      |        |
|------------------|--------------------------|---|---|---|-------|------|--------|
| Z                | 2                        | 0 | 1 | 7 | 01    | 24   | 001    |
| Internal Tracker | Year (2017, 2018, .....) |   |   |   | Month | Date | Serial |

## Peak Wavelength Binning

| Peak Wavelength unit: nm@500mA |    |       |       |
|--------------------------------|----|-------|-------|
| Bin Code                       |    | Min   | Max   |
| U2                             | R1 | 365.0 | 367.5 |
|                                | R2 | 365.5 | 370.0 |
| U4                             | S1 | 380.0 | 382.5 |
|                                | S2 | 382.5 | 385.0 |
|                                | S3 | 385.0 | 387.5 |
|                                | S4 | 387.5 | 390.0 |
| U5                             | T1 | 390.0 | 392.5 |
|                                | T2 | 392.5 | 395.0 |
|                                | T3 | 395.0 | 397.5 |
|                                | T4 | 397.5 | 400.0 |

**Notes:**

1. Binning current is 500mA
2. Wavelength tolerance  $\pm 2$ nm

## Voltage Binning

| Peak Wavelength     | Voltage unit: V@500mA |     |     |
|---------------------|-----------------------|-----|-----|
|                     | Bin Code              | Min | Max |
| <b>U2:365~370nm</b> | V1                    | 3.2 | 3.3 |
|                     | V2                    | 3.3 | 3.4 |
|                     | V3                    | 3.4 | 3.5 |
|                     | V4                    | 3.5 | 3.6 |
|                     | V5                    | 3.6 | 3.7 |
|                     | V6                    | 3.7 | 3.8 |
| <b>U4:380~390nm</b> | V1                    | 3.2 | 3.3 |
|                     | V2                    | 3.3 | 3.4 |
|                     | V3                    | 3.4 | 3.5 |
|                     | V4                    | 3.5 | 3.6 |
|                     | V5                    | 3.6 | 3.7 |
| <b>U5:390~400nm</b> | V1                    | 3.2 | 3.3 |
|                     | V2                    | 3.3 | 3.4 |
|                     | V3                    | 3.4 | 3.5 |
|                     | V4                    | 3.5 | 3.6 |
|                     | V5                    | 3.6 | 3.7 |
|                     | V6                    | 3.7 | 3.8 |

**Notes:**

1. Binning current is 500mA
2. Voltage tolerance  $\pm 0.06$ nm



## Radiant flux (Power) binning

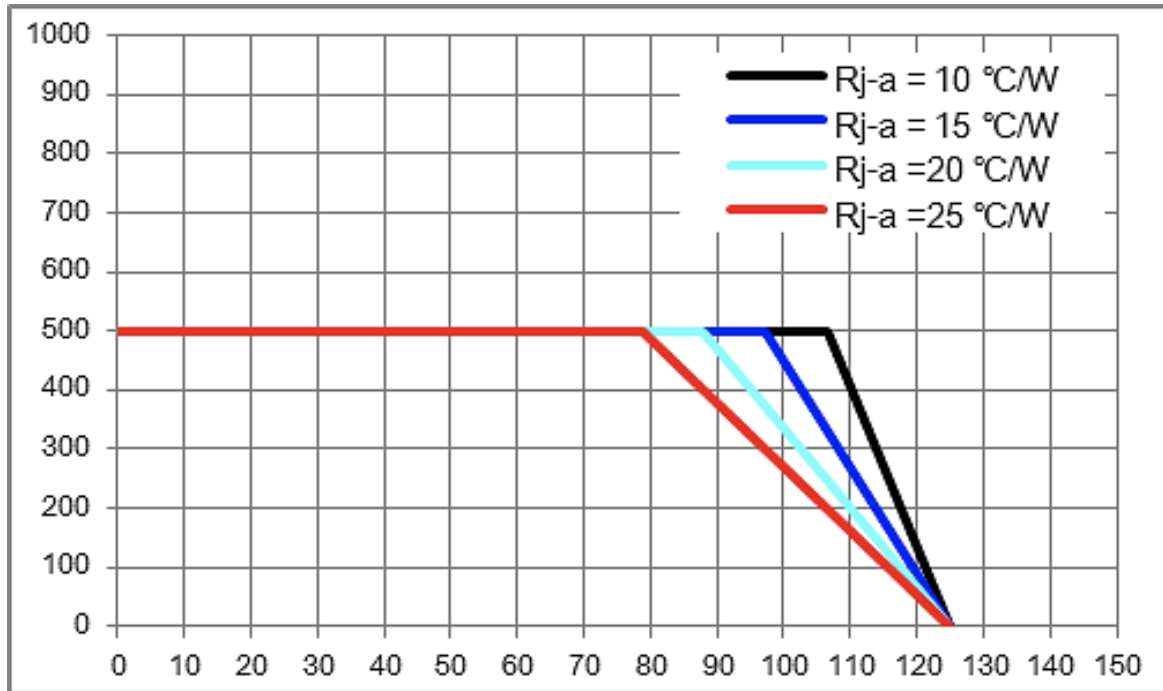
| Peak Wavelength | Radiant flux (Power)<br>unit: mw@500mA |      |      | Radiant flux (Power)<br>unit: mw@700mA |      |      |
|-----------------|--|------|------|--|------|------|
|                 | Bin Code                               | Min  | Max  | Bin Code                               | Min  | Max  |
| U2:365~370nm    | B2                                     | 700  | 740  | B2                                     | 910  | 962  |
|                 | B3                                     | 740  | 780  | B3                                     | 962  | 1014 |
|                 | B4                                     | 780  | 820  | B4                                     | 1014 | 1066 |
|                 | B5                                     | 820  | 860  | B5                                     | 1066 | 1118 |
|                 | B6                                     | 860  | 900  | B6                                     | 1118 | 1170 |
| U4:380~390nm    | B8                                     | 1000 | 1080 | B8                                     | 1300 | 1404 |
|                 | B9                                     | 1080 | 1160 | B9                                     | 1404 | 1508 |
|                 | B10                                    | 1160 | 1240 | B10                                    | 1508 | 1612 |
|                 | B11                                    | 1240 | 1320 | B11                                    | 1612 | 1716 |
|                 | B12                                    | 1320 | 1400 | B12                                    | 1716 | 1820 |
| U5:390~400nm    | B8                                     | 1000 | 1080 | B8                                     | 1300 | 1404 |
|                 | B9                                     | 1080 | 1160 | B9                                     | 1404 | 1508 |
|                 | B10                                    | 1160 | 1240 | B10                                    | 1508 | 1612 |
|                 | B11                                    | 1240 | 1320 | B11                                    | 1612 | 1716 |
|                 | B12                                    | 1320 | 1400 | B12                                    | 1716 | 1820 |

**Notes:**

1. Binning current is 500mA
2. Power tolerance  $\pm$  50mw

## Thermal Design

Thermal design of the end product is important. The thermal resistance between the junction and the solder point (R<sub>θJ-S</sub>) and the end product should be designed to minimize the thermal resistance from the solder point to ambient in order to optimize the emitter life and optical characteristics. The maximum operation current is determined by the plot of Allowable Forward Current vs. Ambient Temperature.



The junction temperature can be correlated to the thermal resistance between the junction and ambient (R<sub>ja</sub>) by the following equation.

$$T_j = T_a + R_{ja} * W$$

T<sub>j</sub> = LED junction temperature

T<sub>a</sub> = Ambient temperature

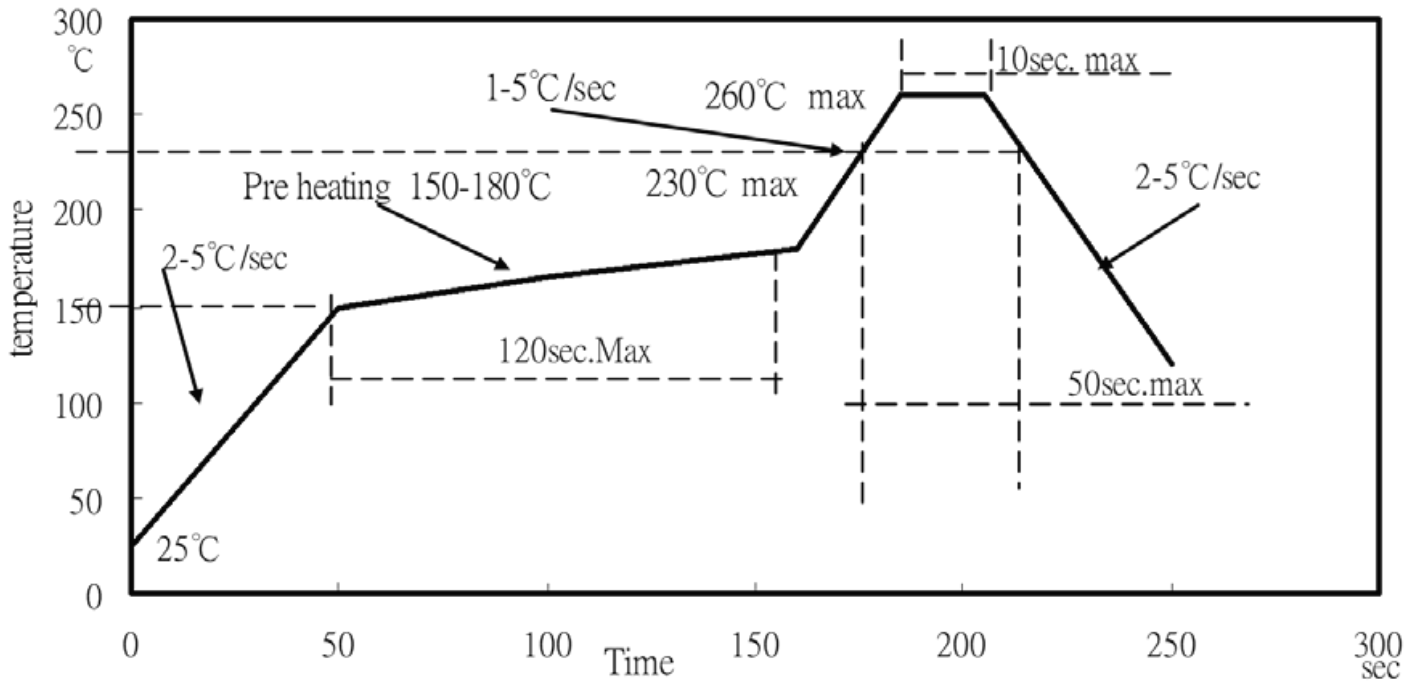
R<sub>ja</sub> = Thermal resistance between the junction and ambient

W = Input power (I<sub>F</sub>\*V<sub>F</sub>)

## Reflow Soldering

The LEDs can be soldered using the parameter listed below. As a general guideline, the users are suggested to follow the recommended soldering profile provided by the manufacturer of the solder paste. Although the recommended soldering conditions are specified in the list, reflow soldering at the lowest possible temperature is preferred for the LEDs.

Suggested lead-free soldering profile:

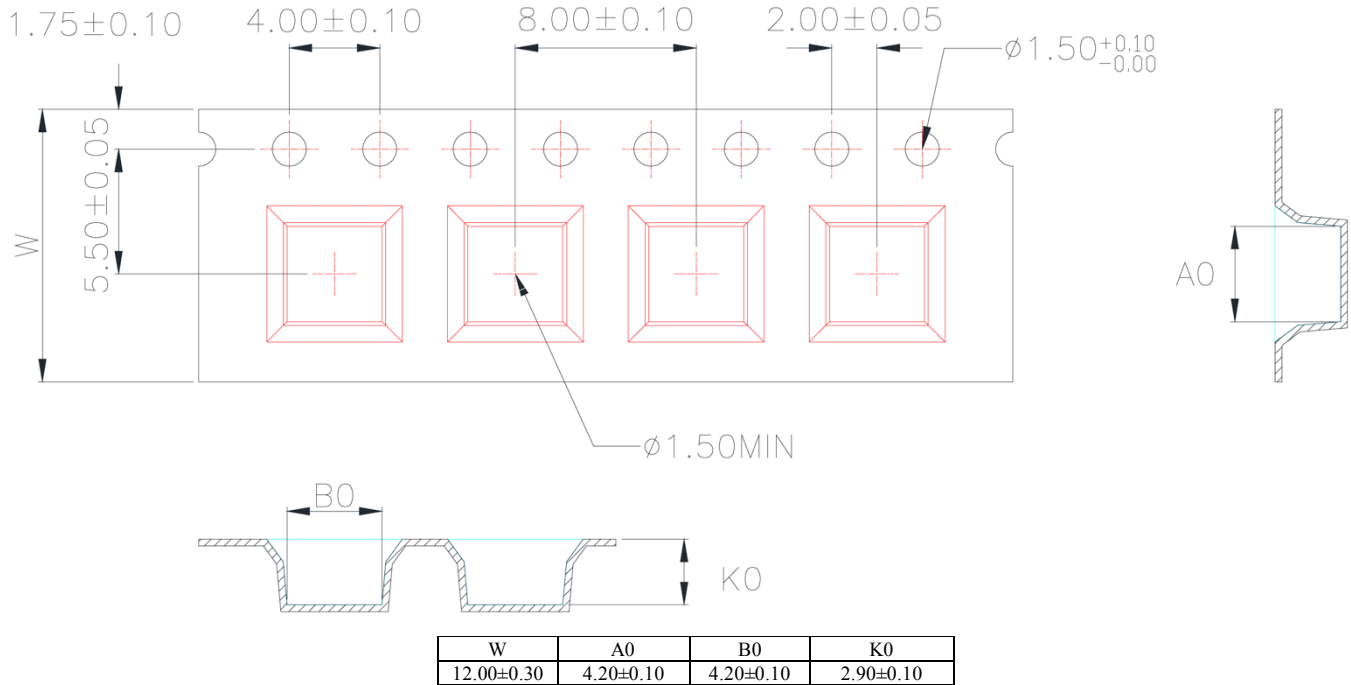


### Notes:

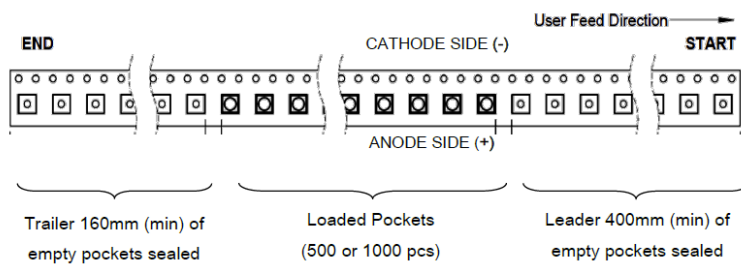
1. The recommended reflow temperature is 240°C(±5°C). The maximum soldering temperature should be limited to 260°C.
2. Do not stress the silicone resin while it is exposed to high temperature.
3. The number of reflow process should not exceed 3 times.

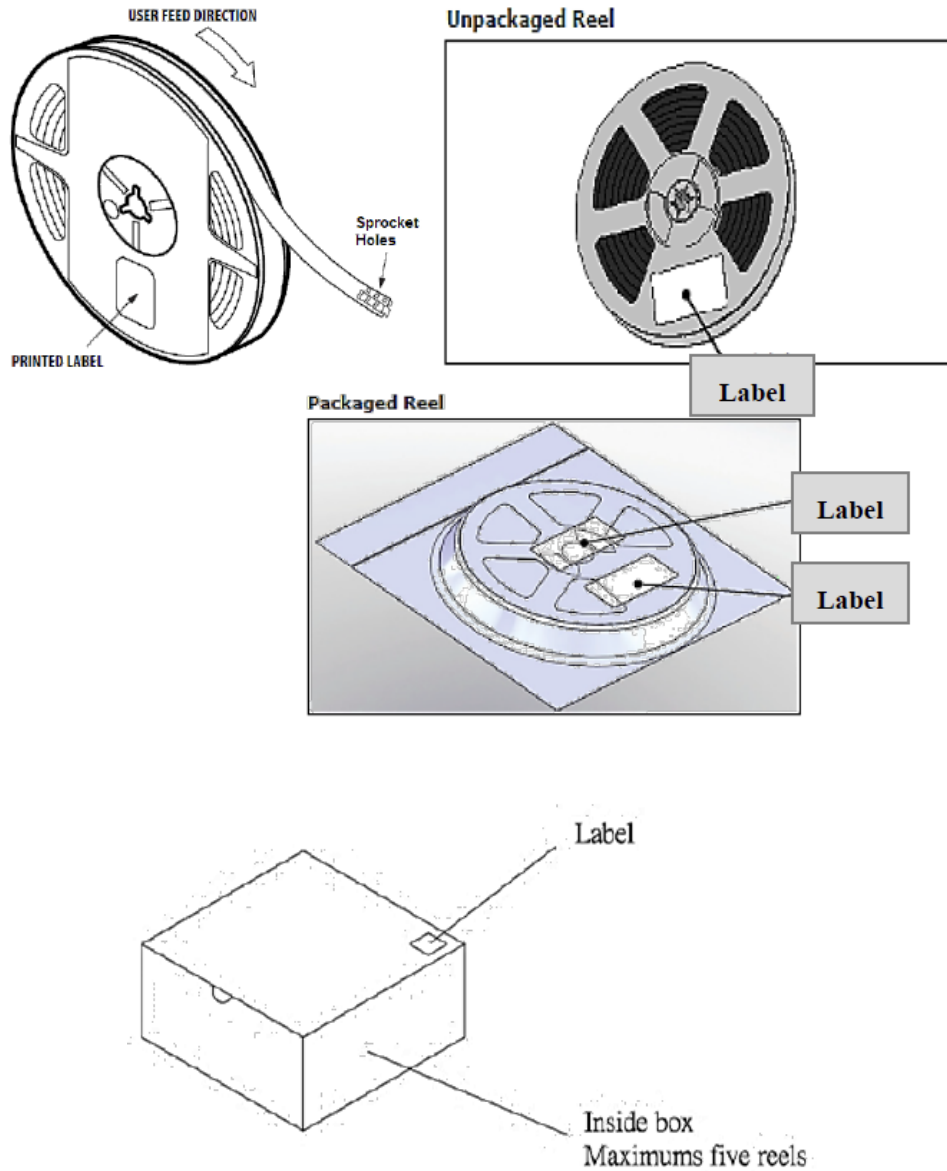
## Packing

The carrier tape conforms to EIA-481D.



1. 10 sprocket hole pitch cumulative tolerance  $\pm 0.20$ .
2. Carrier camber is within 1 mm in 250 mm.
3. Material: Black Conductive Polystyrene Alloy.
4. All dimensions meet EIA-481-D requirements.
5. Thickness:  $0.30 \pm 0.05 \text{ mm}$
6. Packing length per 22" reel: 62.5 Meters (1:3).
7. Component load per 7" reel: 400~1000 pcs.




**Notes:**

1. Each Reel (minimum number of pieces is 100 and maximum is 500 (60D)/1000 (120D)) packed in a moisture-proof bag along with 2 packs of desiccant and a humidity indicator card.
2. A maximum of 5 moisture-proof bags are packed in an inner box (size: 240mm x 200mm x 105mm  $\pm$ 5mm).
3. A maximum of 4 inner boxes are put in an outer box (size: 410mm x 255mm x 230mm  $\pm$  5mm).
4. Part No., Lot No., quantity should be indicated on the label of the moisture-proof bag and the cardboard box.

## Precautions

### 1. Recommendation for using LEDs

1.1 The lens of LEDs should not be exposed to dust or debris. Excessive dust and debris may cause a drastic decrease in the luminosity.

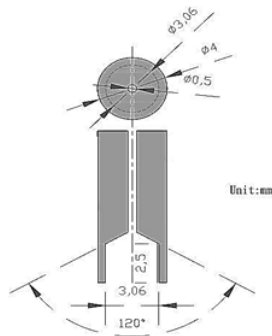
1.2 Avoid mechanical stress on LED lens.

1.3 Do not touch the LED lens surface. It would affect the optical performance of the LED due to the LED lens' damage.

1.4 Pick & place tools are recommended for the remove of LEDs from the factory tape & reel packaging.

### 2. Pick & place nozzle

The pickup tool was recommended and shown as below:



### 3. Lens handling

Please follow the guideline to pick LEDs:

3.1 Use tweezers to pick LEDs.

3.2 Do not touch the lens by using tweezers.

3.3 Do not touch lens with fingers.

3.4 Do not apply more than 4N of force (400g) directly onto the lens.

### 4. Lens cleaning

In the case which a small amount of dirt and dust particles remain on the lens surface, a suitable cleaning solution can be applied.

4.1 Try gently wiping with a dust-free cloth.

4.2 If needed, use a dust-free cloth and isopropyl alcohol to gently remove the dirt from the lens surface.

4.3 Do not use other solvents as they may react with the LED assembly.

4.4 Do not use ultrasonic cleaning which will damage the LEDs.

**Test Items and Results of Reliability**

| Test Item                       | Test Conditions                       | Duration/<br>Cycle | Number of<br>Damage | Reference               |
|---------------------------------|---------------------------------------|--------------------|---------------------|-------------------------|
| Thermal Shock                   | -40°C 30min<br>↑↓5min 125<br>°C 30min | 100 cycles         | 0/22                | AECQ101                 |
| High Temperature<br>Storage     | Ta=100°C                              | 1000 hrs           | 0/22                | EIAJ ED-4701<br>200 201 |
| Humidity Heat Storage           | Ta=85°C<br>RH=85%                     | 1000 hrs           | 0/22                | EIAJ ED-4701<br>100 103 |
| Low Temperature Storage         | Ta=-40°C                              | 1000 hrs           | 0/22                | EIAJ ED-4701<br>200 202 |
| Life Test                       | Ta=25°C<br>If=500mA                   | 1000 hrs           | 0/22                | Tested with IN standard |
| High Humidity Heat Life<br>Test | 85°C RH=85%<br>If=500mA               | 1000 hrs           | 0/22                | Tested with IN standard |
| High Temperature Life<br>Test   | Ta=85°C                               | 1000 hrs           | 0/22                | Tested with IN standard |
| ESD(HBM)                        | 8KV at 1.5kΩ;100pf                    | 3 Times            | 0/22                | MIL-STD-883             |

| Criteria for Judging the Damage |        |           |                       |          |
|---------------------------------|--------|-----------|-----------------------|----------|
| Item                            | Symbol | Condition | Criteria for Judgment |          |
|                                 |        |           | Min                   | Max      |
| Forward Voltage                 | VF     | If=500mA  | LSL ×0.9              | USL ×1.1 |
| Reverse Current                 | IR     | VR =5V    | -                     | 100μA    |
| Luminous Intensity              | Iv     | If=500mA  | LSL ×0.7              | USL ×1.2 |

**Notes:**

1. USL: Upper specification level
2. LSL: Lower specification level

## Revision History

| Changes since last revision | Page | Version No. | Revision Date |
|-----------------------------|------|-------------|---------------|
| Initial Release             |      | 1.0         | 01-30-2018    |
| Format Update               |      | 1.1         | 09-04-2018    |
|                             |      |             |               |
|                             |      |             |               |
|                             |      |             |               |
|                             |      |             |               |
|                             |      |             |               |
|                             |      |             |               |
|                             |      |             |               |

## DISCLAIMER

INOLUX reserves the right to make changes without further notice to any products herein to improve reliability, function or design. INOLUX does not assume any liability arising out of the application or use of any product or circuit described herein; neither does it convey any license under its patent rights, nor the rights of others.

## LIFE SUPPORT POLICY

INOLUX's products are not authorized for use as critical components in life support devices or systems without the express written approval of the President of INOLUX or INOLUX CORPORATION. As used herein:

1. Life support devices or systems are devices or systems which, (a) are intended for surgical implant into the body, or (b) support or sustain life, and (c) whose failure to perform when properly used in accordance with instructions for use provided in the labeling, can be reasonably expected to result in a significant injury of the user.
2. A critical component in any component of a life support device or system whose failure to perform can be reasonably expected to cause the failure of the life support device or system, or to affect its safety or effectiveness.



Компания «Океан Электроники» предлагает заключение долгосрочных отношений при поставках импортных электронных компонентов на взаимовыгодных условиях!

Наши преимущества:

- Поставка оригинальных импортных электронных компонентов напрямую с производств Америки, Европы и Азии, а так же с крупнейших складов мира;
- Широкая линейка поставок активных и пассивных импортных электронных компонентов (более 30 млн. наименований);
- Поставка сложных, дефицитных, либо снятых с производства позиций;
- Оперативные сроки поставки под заказ (от 5 рабочих дней);
- Экспресс доставка в любую точку России;
- Помощь Конструкторского Отдела и консультации квалифицированных инженеров;
- Техническая поддержка проекта, помощь в подборе аналогов, поставка прототипов;
- Поставка электронных компонентов под контролем ВП;
- Система менеджмента качества сертифицирована по Международному стандарту ISO 9001;
- При необходимости вся продукция военного и аэрокосмического назначения проходит испытания и сертификацию в лаборатории (по согласованию с заказчиком);
- Поставка специализированных компонентов военного и аэрокосмического уровня качества (Xilinx, Altera, Analog Devices, Intersil, Interpoint, Microsemi, Actel, Aeroflex, Peregrine, VPT, Syfer, Eurofarad, Texas Instruments, MS Kennedy, Miteq, Cobham, E2V, MA-COM, Hittite, Mini-Circuits, General Dynamics и др.);

Компания «Океан Электроники» является официальным дистрибьютором и эксклюзивным представителем в России одного из крупнейших производителей разъемов военного и аэрокосмического назначения «**JONHON**», а так же официальным дистрибьютором и эксклюзивным представителем в России производителя высокотехнологичных и надежных решений для передачи СВЧ сигналов «**FORSTAR**».



## JONHON

«**JONHON**» (основан в 1970 г.)

Разъемы специального, военного и аэрокосмического назначения:

(Применяются в военной, авиационной, аэрокосмической, морской, железнодорожной, горно- и нефтедобывающей отраслях промышленности)

«**FORSTAR**» (основан в 1998 г.)

ВЧ соединители, коаксиальные кабели,  
кабельные сборки и микроволновые компоненты:

(Применяются в телекоммуникациях гражданского и специального назначения, в средствах связи, РЛС, а так же военной, авиационной и аэрокосмической отраслях промышленности).



Телефон: 8 (812) 309-75-97 (многоканальный)

Факс: 8 (812) 320-03-32

Электронная почта: [ocean@oceanchips.ru](mailto:ocean@oceanchips.ru)

Web: <http://oceanchips.ru/>

Адрес: 198099, г. Санкт-Петербург, ул. Калинина, д. 2, корп. 4, лит. А