

## Hall Current Sensor IC in VA package

### 1. Features and Benefits

- Programmable high speed current sensor
- Programmable linear transfer characteristic
- Selectable analog ratiometric output
- Measurement range from 15 to 450mT
- Single die VA package RoHS compliant
- Wideband: DC to 200kHz
- Short response time
- Lead free component, suitable for lead free soldering profile 260°C (target), MSL1
- AEC-Q100 Automotive Qualified

### 2. Application Examples

- Inverter applications in HEV and EV
- BLDC motor current monitoring
- AC/DC converters
- Over current detection circuit

### 3. General Description

The MLX91209 is a monolithic programmable Hall sensor IC featuring the planar Hall technology, which is sensitive to the flux density applied orthogonally to the IC surface. The sensor provides an output signal proportional to the applied magnetic flux density and is preferably suited for current measurement.

The transfer characteristic of the MLX91209 is programmable (offset, gain). The linear analog output is designed for applications where a very fast response is required, such as inverter applications.

In a typical application, the sensor is used in combination with a ring shaped soft ferromagnetic core. The Hall IC is placed in a small air gap and the current conductor is passed through the inner part of the ferromagnetic ring. The ring concentrates and amplifies the magnetic flux on the Hall sensor IC, which generates an output voltage proportional to the current flowing in the conductor.

### 4. Ordering Information

Product	Temperature	Package	Option Code	Packing Form	Default Sensitivity mV/mT
MLX91209	L (-40°C to 150°C)	VA	CAA - 000	RE	50
MLX91209	L (-40°C to 150°C)	VA	CAA - 001	RE	15
MLX91209	L (-40°C to 150°C)	VA	CAA - 002	RE	7.3
MLX91209	L (-40°C to 150°C)	VA	CAA - 003	RE	19

Table 1: Ordering Information

#### Legend:

Temperature Code:	L: from -40°C to 150°C
Package Code:	“VA” for SIP 4L (single in-line package)
Option Code:	CAA: Sensitivity Range 5-150mV/mT
Packing Form:	“RE” for Reel
Ordering Example:	MLX91209LVA-CAA-000-RE

Table 2: Legend for Ordering Information

## 5. Functional Diagram

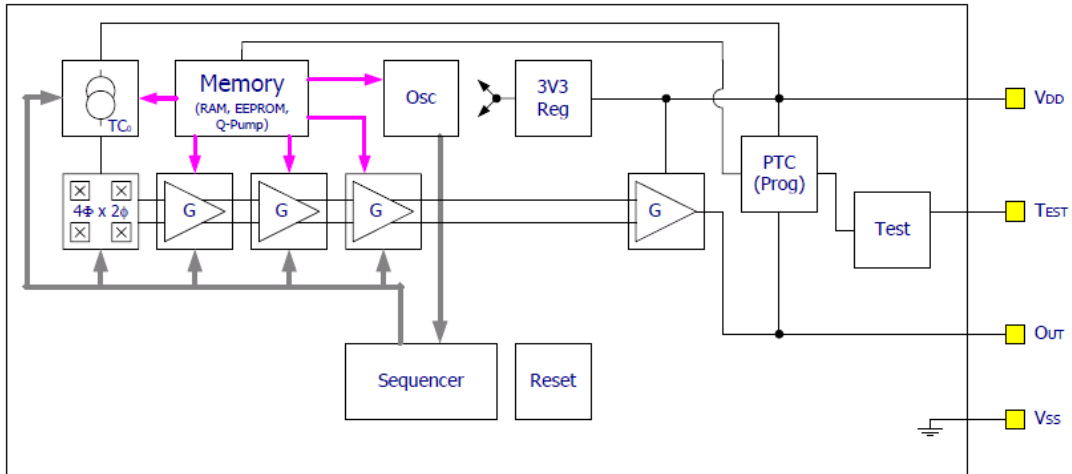


Figure 1: Block Diagram

## 6. Glossary of Terms

Terms	Definition
Tesla	Units for the magnetic flux density, 1 mT = 10 Gauss
TC	Temperature Coefficient in ppm/deg C
NC	Not Connected
ADC	Analog to Digital Converter
DAC	Digital to Analog Converter
LSB	Least Significant Bit
MSB	Most Significant Bit
DNL	Differential Non Linearity
INL	Integral Non Linearity
IMC	Integrated Magneto Concentrator (IMC®)
PTC	Programming Through Connector

Table 3: Glossary of Terms

## Contents

1. Features and Benefits.....	1
2. Application Examples .....	1
3. General Description.....	1
4. Ordering Information .....	1
5. Functional Diagram .....	2
6. Glossary of Terms.....	2
7. Absolute Maximum Ratings.....	4
8. Pin Definitions and Descriptions.....	4
9. General Electrical Specifications.....	5
10. Magnetic specification .....	5
10.1. Sensor active measurement direction.....	6
11. Analog output specification.....	6
11.1. Timing specification.....	6
11.2. Accuracy specification .....	7
11.3. Remarks to the achievable accuracy .....	7
12. Programmable items .....	8
12.1. Parameter table.....	8
12.2. Sensitivity programming (RG, FG) .....	8
12.3. Offset / output quiescent voltage programming (VOQ) .....	8
12.4. Output ratiometry (ENRATIO) .....	9
12.5. Sensitivity temperature drift programming (TC1, TC2COLD, TC2HOT) .....	9
12.6. Offset temperature drift programming (OFFDR2C, OFFDR2H) .....	9
12.7. Noise filter (NOISEFILT).....	9
12.8. Identification code (ID).....	9
13. Self-diagnostic.....	10
14. Recommended Application Diagrams.....	11
14.1. Resistor and capacitor values.....	11
14.2. Pull down resistor for diagnostic low .....	11
15. Typical performance.....	12
16. Standard information regarding manufacturability of Melexis products with different soldering processes.....	13
17. ESD Precautions .....	13
18. FAQ .....	14
19. Package Information .....	14
19.1. VA / SIP 4L (single in-line package).....	14
20. Contact.....	15
21. Disclaimer.....	15

## 7. Absolute Maximum Ratings

Parameter	Symbol	Value	Units
Positive Supply Voltage (overvoltage)	Vdd	+10	V
Reverse Supply Voltage Protection		-0.3	V
Positive Output Voltage <sup>(1)</sup>		+10	V
Output Current	Iout	±70	mA
Reverse Output Voltage		-0.3	V
Reverse Output Current		-50	mA
Package Thermal Resistance	Rth	105	°C/W
Operating Ambient Temperature Range	T <sub>A</sub>	-40 to +150	°C
Storage Temperature Range	T <sub>S</sub>	-55 to +165	°C
Magnetic Flux Density		infinite	T

Table 4: Absolute maximum ratings

Exceeding the absolute maximum ratings may cause permanent damage. Exposure to absolute maximum rated conditions for extended periods may affect device reliability.

(1) Valid for supply=10V or supply-pin floating.

## 8. Pin Definitions and Descriptions

Pin No	Name	Type	Function
1	VDD	Supply	Supply Voltage
2	OUT	Analog	Current Sensor Output
3	TEST/MUST	Digital	Test and Factory Calibration
4	VSS	Ground	Supply Voltage

Table 5: Pin definitions and descriptions

It is recommended to connect the unused pins to the Ground for optimal EMC results.

## 9. General Electrical Specifications

Operating Parameters:  $T_A = -40^{\circ}\text{C}$  to  $125^{\circ}\text{C}$ ,  $V_{dd} = 4.5\text{V}$  to  $5.5\text{V}$ ,  $I_{out} = -2\text{mA}$  to  $2\text{mA}$ , recommended application diagram, unless otherwise specified. Mentioned component values can have a  $\pm 20\%$  tolerance.

Parameter	Symbol	Test Conditions	Min	Typ	Max	Units
Nominal Supply Voltage	$V_{dd}$		4.5	5	5.5	V
Supply Current	$I_{dd}$	No output load, application mode, $T_A = -40^{\circ}\text{C}$ to $150^{\circ}\text{C}$	7	12	14	mA
DC Load Current	$I_{out}$	$R_{load}$ in range [6k $\Omega$ , 100k $\Omega$ ]	-2		2	mA
Maximum Output Current (driving capability)	$I_{max}$	Inside this range, output voltage reaches 3 and 97%Vdd	-2		2	mA
Output Resistance		$V_{out} = 50\% V_{dd}$ , $R_L = 10\text{k}\Omega$		1	5	$\Omega$
Output Capacitive Load	$C_{load}$	Capacitive load for the stability of the output amplifier			10	nF
Output Resistive Load (pull-down resistor)	$R_{load}$	Output resistive load for high linearity	6			k $\Omega$
Output Short Circuit Current (Permanent)	$I_{short}$	Output shorted to $V_{dd}$ Output shorted to $V_{ss}$	35		180	mA
Output Leakage current	$I_{leak}$	High impedance mode <sup>(1)</sup> $T_A = 150^{\circ}\text{C}$	0.5	1.5	20	$\mu\text{A}$
Output Voltage Swing (Linear Range)	$V_{out\_pd}$	pull-down $\geq 10\text{ k}\Omega$	10		90	%Vdd
High-impedance mode levels <sup>(1)</sup>	$V_{out\_HiZ\_pd}$	pull-down $R_L \leq 25\text{ k}\Omega$ , $T \leq 125^{\circ}\text{C}$			5	%Vdd
Under-voltage detection <sup>(2)</sup>	$V_{dd\_uvd}$	Low to High Voltage	3.15	3.3	3.45	V
	$V_{dd\_uvh}$	Hysteresis	0.25	0.3	0.4	V
Ratiometry fault detection	$V_{ratio\_d}$	Low to High Voltage	4		4.4	V
	$V_{ratio\_h}$	Hysteresis	0.05		0.5	V
Over-voltage detection <sup>(2)</sup>	$V_{dd\_ovd2}$	Low to High Voltage	6.7		7.6	V
	$V_{dd\_ovh2}$	Hysteresis	0.05		0.7	V

Table 6: General electrical parameters

(1) Refer to section *Self-diagnostic*, Table 11.

(2) According to the following diagram:



## 10. Magnetic specification

Operating Parameters  $T_A = -40^{\circ}\text{C}$  to  $125^{\circ}\text{C}$ ,  $V_{dd} = 4.5\text{V}$  to  $5.5\text{V}$ , unless otherwise specified.

Parameter	Symbol	Test Conditions / Comments	Min	Typ	Max	Units
Magnetic field range	B		$\pm 15$		$\pm 450$	mT
Linearity Error	NL	$V_{dd}$ in range [4.5V, 5.5V] $V_{out}$ in [10%Vdd, 90%Vdd]	-0.4		+0.4	%FS
Programmable Sensitivity	S		5		150	mV/mT
Sensitivity programming Resolution	$S_{res}$			0.1		%

Table 7: Magnetic specification

## 10.1. Sensor active measurement direction



Figure 1: Magnetic Field Direction

## 11. Analog output specification

### 11.1. Timing specification

Operating Parameters  $T_A = -40^{\circ}\text{C}$  to  $125^{\circ}\text{C}$ ,  $V_{dd} = 4.5\text{V}$  to  $5.5\text{V}$  (unless otherwise specified).

Parameter	Symbol	Test Conditions / Comments	Min	Typ	Max	Units
Refresh rate	$T_{rr}$		0.8	1	2	$\mu\text{s}$
Step Response Time	$T_{resp}$	Delay between the input signal reaching 90% and the output signal reaching 90%, (2V step at the output, input rise time = $1\mu\text{s}$ ) -Noise filter OFF -Noise filter ON		2 5	3 6	$\mu\text{s}$ $\mu\text{s}$
Bandwidth	BW	-Noise filter OFF -Noise filter ON	200 120	250 150	300 180	$\text{kHz}$ $\text{kHz}$
Power on Delay	$T_{POD}$	$V_{out} = 100\%$ of FS Pull-down resistor $\leq 100\text{k}\Omega$ During the Power-on delay, output will remain within the 10% fault band at all time.			5	ms
Ratiometry Cut-off Frequency	Fratio			250		Hz

Table 8: Timing specification for high speed analog output



Figure 2: Response time definition

## 11.2. Accuracy specification

Operating Parameters  $T_A = -40^{\circ}\text{C}$  to  $125^{\circ}\text{C}$ ,  $V_{dd} = 4.5\text{V}$  to  $5.5\text{V}$  (unless otherwise specified).

Parameter	Symbol	Test Conditions	Min	Typ.	Max	Units
Thermal Offset Drift <sup>(1)</sup>	$\Delta^T\text{Voq}$	In ref. to $T = 35^{\circ}\text{C}$ $V_{dd} = 5\text{V}$ $\text{Voq} = 50 \pm 0.2 \%V_{dd}$	-10		10	mV
Thermal Offset Drift Resolution	$\Delta^T\text{VoqRes}$			0.075		mV/ $^{\circ}\text{C}$
Thermal Sensitivity Drift	TC	In ref. to $T = 35^{\circ}\text{C}$ $V_{dd} = 5\text{V}$	-1.5	0	+1.5	% of S
Thermal Sensitivity Drift resolution	TCres			40		ppm/ $^{\circ}\text{C}$
RMS Output noise <sup>(2)</sup>	$N_{\text{rms}}$	S = 50mV/mT				
		-Noise filter OFF			10	mVrms
		-Noise filter ON			6	mVrms
		S = 7.3mV/mT				
Ratiometry Error Offset	$\Delta\text{Voq}$	-Noise filter OFF		2.8		mVrms
		-Noise filter ON		1.9		mVrms
Ratiometry Error Offset	$\Delta\text{Voq}$	$\text{Voq} = 50\%V_{dd}$ $\Delta V_{dd} = 10\%V_{dd}$	-0.4		+0.4	% of Voq
Ratiometry Error Sensitivity	$\Delta S$	$\Delta V_{dd} = 10\%V_{dd}$	-0.4		+0.4	% of S

Table 9: Accuracy specification for high speed analog output

- (1) Thermal offset drift specification is only valid when ENRATIO and PLATEPOL parameters are kept in their default configuration.
- (2) The RMS Output Noise depends on the factory sensitivity [mV/mT].

## 11.3. Remarks to the achievable accuracy

The achievable target accuracy depends on end-of-line calibration in the application. Resolution for offset calibration is better than  $0.1\%V_{dd}$ . Trimming capability is higher than measurement accuracy. End-of-line calibration can increase overall system accuracy.

## 12. Programmable items

### 12.1. Parameter table

Parameter	Bits	Factory Setting	Comment
VOQ[11:0]	12	trimmed	Quiescent output level (0 Gauss) adjustment
RG[2:0]	3	trimmed	Rough gain adjustment
FG[9:0]	10	trimmed	Fine gain adjustment
ENRATIO	1	1	Ratiometry enablement
TC1[7:0]	8	trimmed	Adjustment of the first order temperature compensation of the magnetic sensitivity
TC2HOT[4:0]	5	trimmed	Adjustment of the extra temperature compensation of the magnetic sensitivity at high temperature
TC2COLD[4:0]	5	trimmed	Adjustment of the extra temperature compensation of the magnetic sensitivity at low temperature
OFFDR2C[5:0]	6	trimmed	Adjustment of the offset drift at low temperature after the VGA
OFFDR2H[5:0]	6	trimmed	Adjustment of the offset drift at high temperature after the VGA
NOISEFILT <sup>1</sup>	1	0 1	Noise filter enablement
PLATEPOL	1	0	0: default polarity as described in section 10.1 1: opposite polarity
ID[47:0]	48	Programmed	Melexis traceability ID

*Table 10: Customer programmable items*

### 12.2. Sensitivity programming (RG, FG)

The sensitivity can be programmed from 5 to 150 mV/mT, with the ROUGHGAIN (3 bits) and FINEGAIN (10 bits) parameters.

### 12.3. Offset / output quiescent voltage programming (VOQ)

The offset is programmable with 12 bits in 1.5 mV steps over the full output range. This corresponds to a calibration resolution of 0.03 %VDD. (The typical step would be  $5V/4096 = 1.22$  mV, the actual step size can differ from the nominal value because of internal gain tolerance. The maximum step size of 1.5 mV is guaranteed).

**Note:** for optimal performance over temperature, VOQ should be programmed in the range 2 to 3V.

<sup>1</sup> Noise Filter enabled by default (NOISEFILT = 1) in MLX91209LVA-CAA-003. All other option codes use NOISEFILT = 0 in their default configuration



## 12.4. Output ratiometry (ENRATIO)

The ratiometry of the output versus the supply can be disabled by setting this bit to 0.

**Note:** for optimal performance over temperature, ratiometry should always be enabled (ENRATIO=1).

## 12.5. Sensitivity temperature drift programming (TC1, TC2COLD, TC2HOT)

First order sensitivity temperature drift can be trimmed from -2000 to 2000ppm/K with TC1. The programming resolution is 40ppm/K.

Second order sensitivity temperature drift can be trimmed from TC2COLD and TC2HOT. The programming resolution is 2ppm/K<sup>2</sup> for TC2COLD and 0.6ppm/K<sup>2</sup> for TC2HOT. The second order can also be seen as third order correction since cold and hot sides are independently adjusted.

**Note:** for optimal performance over temperature, the first order sensitivity drift compensation (TC1ST) should not exceed  $\pm 500$ ppm/K.

## 12.6. Offset temperature drift programming (OFFDR2C, OFFDR2H)

Offset temperature drift caused by the output amplifier can be compensated with these two parameters. This first order correction is done independently for temperatures over and below 25°C.

**Note:** two additional parameters (OFFDR1C, OFFDR1H) are calibrated by Melexis to compensate for the offset temperature drift caused by the Hall element (before the variable gain amplifier). These parameters should not be adjusted on customer-side.

## 12.7. Noise filter (NOISEFILT)

Setting this bit to 1 enables the noise filter, reducing noise and increasing response time.

## 12.8. Identification code (ID)

48 bits programmable identification code.

### 13. Self-diagnostic

The MLX91209 provides self-diagnostic features to detect internal memory errors and over- / under-voltage conditions. These features increase the robustness of the IC functionality, as they prevent erroneous output signal in case of internal or external failure modes.

Error	Action	Effect on Outputs	Remarks
Calibration Data CRC Error (at power up and in normal working mode)	Fault mode	High Impedance mode	Pull down resistive load => Diag Low
Power On delay		High Impedance mode	5ms max in high impedance followed by settling
Undervoltage Mode	IC is reset	High Impedance mode	300mV Hysteresis (typical)
Overvoltage detection	IC is reset	High Impedance mode	100mV Hysteresis (typical)

*Table 11: Self diagnostic*

## 14. Recommended Application Diagrams

### 14.1. Resistor and capacitor values

Part	Description	Value	Unit
C1	Supply capacitor, EMI, ESD	100	nF
C2	Decoupling, EMI, ESD	2-10 <sup>(1)</sup>	nF
R1	Pull-down resistor	6-100	kΩ

Table 12: Recommended Resistors and Capacitors Values

(1) 10nF is recommended for better EMC and ESD performance.

### 14.2. Pull down resistor for diagnostic low

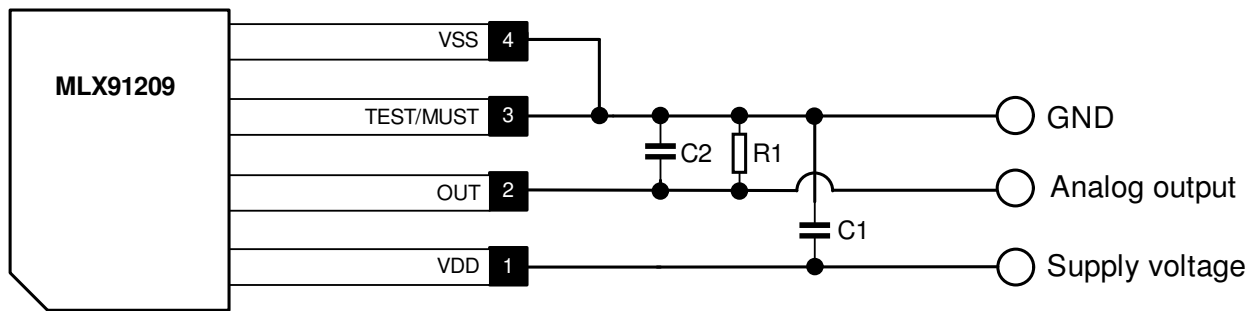


Figure 3: Diagnostic low

## 15. Typical performance

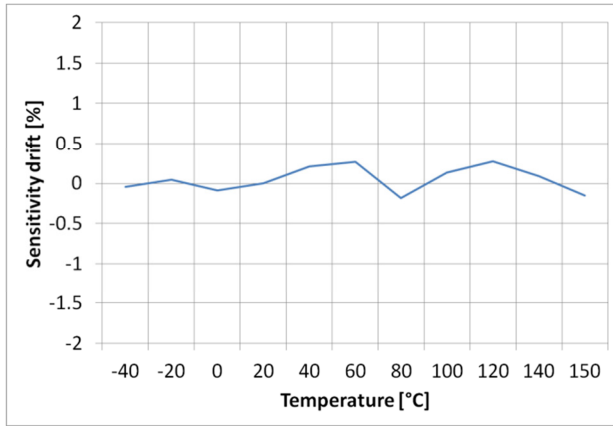


Figure 4: Thermal sensitivity drift.

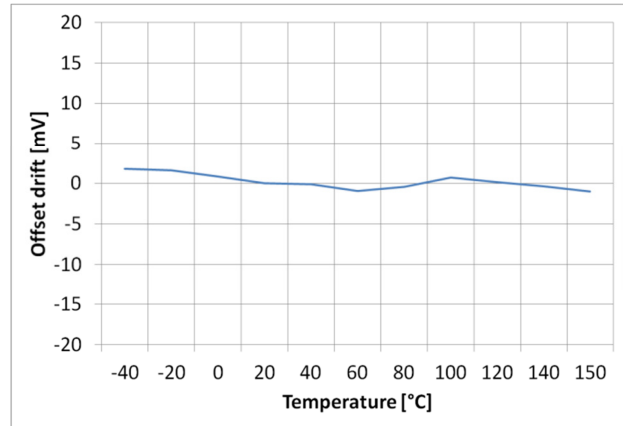


Figure 5: Thermal offset drift

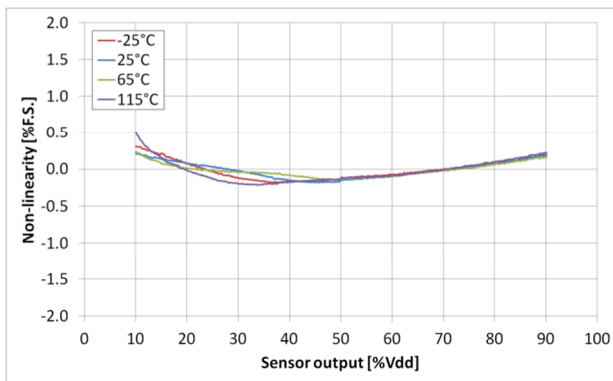


Figure 6: Non-linearity over temperature

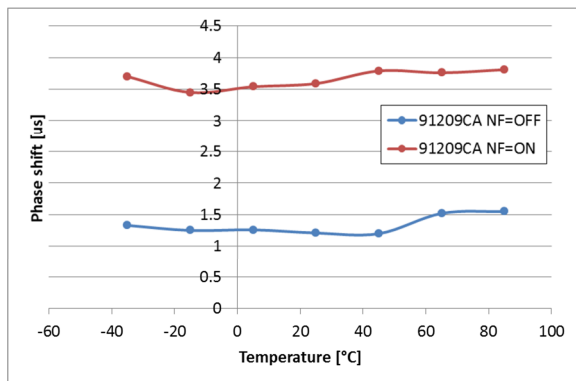


Figure 7: Phase shift over temperature.

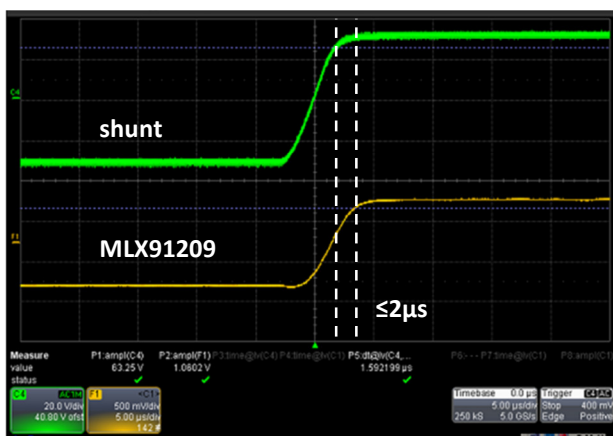


Figure 8: Response time with noise filter OFF.

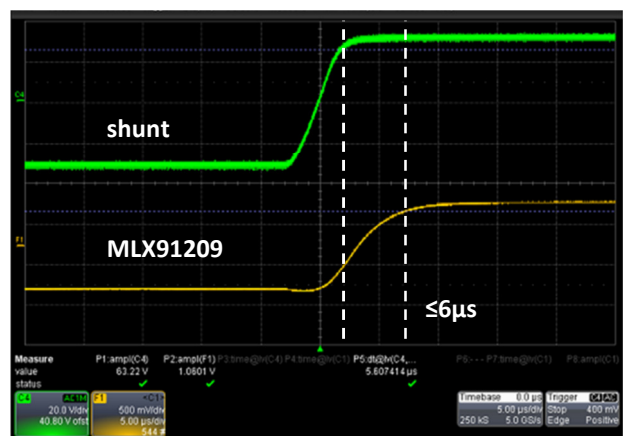


Figure 9: Response time with noise filter ON.

## 16. Standard information regarding manufacturability of Melexis products with different soldering processes

Our products are classified and qualified regarding soldering technology, solderability and moisture sensitivity level according to following test methods:

### Reflow Soldering SMD's (Surface Mount Device)s

- IPC/JEDEC J-STD-020  
Moisture/Reflow Sensitivity Classification for Nonhermetic Solid State Surface Mount Devices (classification reflow profiles according to table 5-2)
- EIA/JEDEC JESD22-A113  
Preconditioning of Nonhermetic Surface Mount Devices Prior to Reliability Testing (reflow profiles according to table 2)

### Wave Soldering SMD's (Surface Mount Device)s and THD's (Through Hole Device)s

- EN60749-20  
Resistance of plastic- encapsulated SMD's to combined effect of moisture and soldering heat
- EIA/JEDEC JESD22-B106 and EN60749-15  
Resistance to soldering temperature for through-hole mounted devices

### Iron Soldering THD's (Through Hole Device)s

- EN60749-15  
Resistance to soldering temperature for through-hole mounted devices

### Solderability SMD's (Surface Mount Device)s and THD's (Through Hole Device)s

- EIA/JEDEC JESD22-B102 and EN60749-21  
Solderability

For all soldering technologies deviating from above mentioned standard conditions (regarding peak temperature, temperature gradient, temperature profile, etc.) additional classification and qualification tests have to be agreed upon with Melexis.

The application of Wave Soldering for SMD's is allowed only after consulting Melexis regarding assurance of adhesive strength between device and board.

Melexis recommends reviewing on our web site the General Guidelines [soldering recommendation](http://www.melexis.com/Quality_soldering.aspx) ([http://www.melexis.com/Quality\\_soldering.aspx](http://www.melexis.com/Quality_soldering.aspx)) as well as [trim&form recommendations](http://www.melexis.com/Assets/Trim-and-form-recommendations-5565.aspx) (<http://www.melexis.com/Assets/Trim-and-form-recommendations-5565.aspx>).

Melexis is contributing to global environmental conservation by promoting **lead free** solutions. For more information on qualifications of **RoHS** compliant products (RoHS = European directive on the Restriction Of the use of certain Hazardous Substances) please visit the quality page on our website: <http://www.melexis.com/quality.aspx>

## 17. ESD Precautions

Electronic semiconductor products are sensitive to Electro Static Discharge (ESD). Always observe Electro Static Discharge control procedures whenever handling semiconductor products.

## 18. FAQ

### For which current range can the sensor be used?

The magnetic field [mT] seen by the sensor for a given current [A] depends on the design of the enclosing ferromagnetic core (air gap size, material type, etc.). Therefore, the current range is not limited by the sensor itself, but rather by the magnetic properties of the core (saturation, hysteresis, etc.).

### What is the default sensitivity of the sensor?

The sensor is factory calibrated for a typical sensitivity of 50mV/mT.

### How can I program the sensor?

The sensor uses a 3 wires communication protocol (Vdd, Vss and Out) and can be programmed using Melexis Universal Programmer (PTC-04), with the dedicated daughter board PTC04-DB-HALL05. For more information, please visit <http://www.melexis.com/Hardware-and-Software-Tools/Programming-Tools/PTC-04-568.aspx>.

## 19. Package Information

### 19.1. VA / SIP 4L (single in-line package)

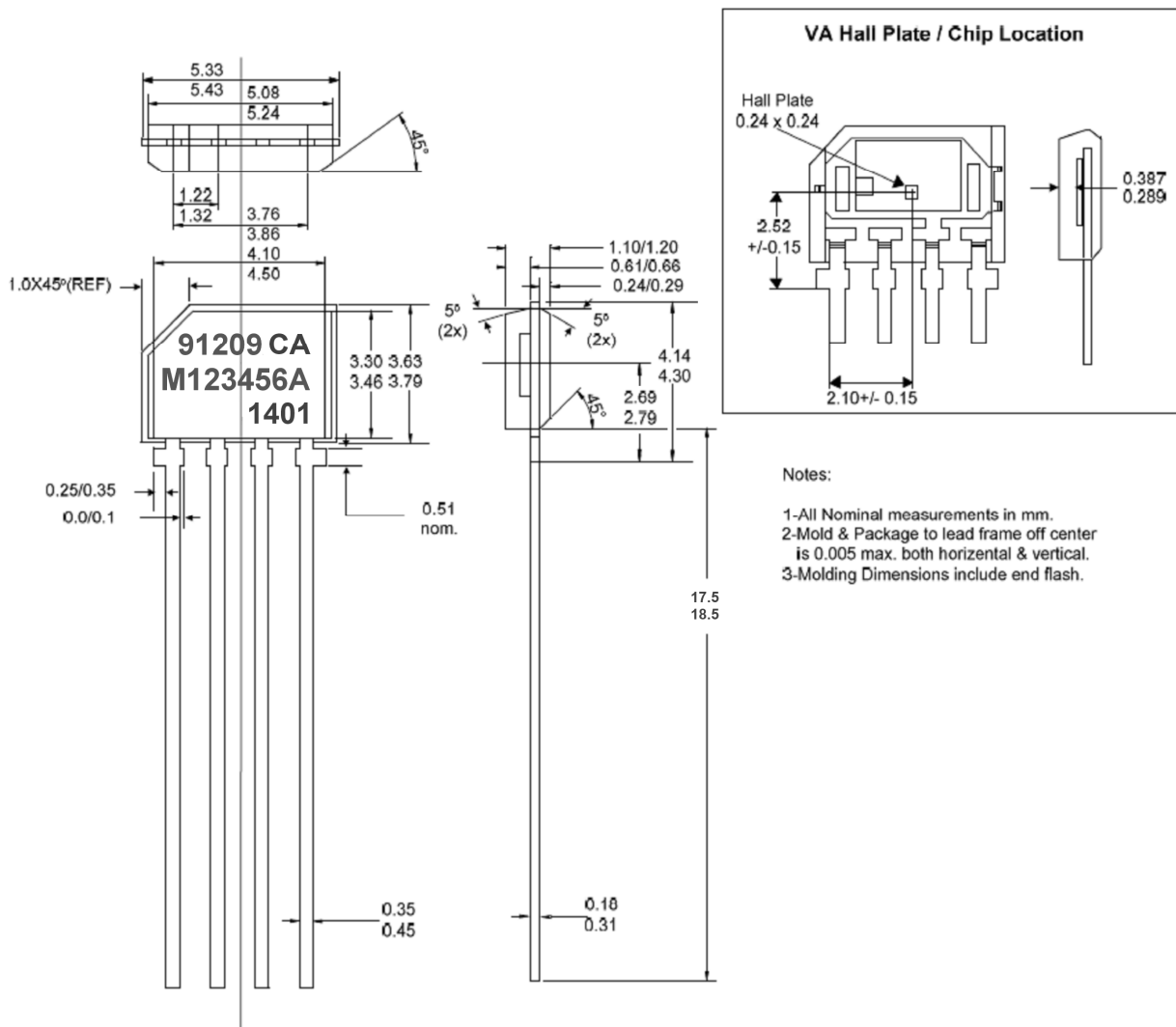


Figure 10: VA / SIP 4L (single in-line package) dimensions

## 20. Contact

For the latest version of this document, go to our website at [www.melexis.com](http://www.melexis.com).

For additional information, please contact our Direct Sales team and get help for your specific needs:

Europe, Africa	Telephone: +32 13 67 04 95
	Email : sales_europe@melexis.com
Americas	Telephone: +1 603 223 2362
	Email : sales_usa@melexis.com
Asia	Email : sales_asia@melexis.com

## 21. Disclaimer

*The information furnished by Melexis herein ("Information") is believed to be correct and accurate. Melexis disclaims (i) any and all liability in connection with or arising out of the furnishing, performance or use of the technical data or use of the product(s) as described herein ("Product") (ii) any and all liability, including without limitation, special, consequential or incidental damages, and (iii) any and all warranties, express, statutory, implied, or by description, including warranties of fitness for particular purpose, non-infringement and merchantability. No obligation or liability shall arise or flow out of Melexis' rendering of technical or other services.*

*The Information is provided "as is" and Melexis reserves the right to change the Information at any time and without notice. Therefore, before placing orders and/or prior to designing the Product into a system, users or any third party should obtain the latest version of the relevant information to verify that the information being relied upon is current.*

*Users or any third party must further determine the suitability of the Product for its application, including the level of reliability required and determine whether it is fit for a particular purpose.*

*The Information is proprietary and/or confidential information of Melexis and the use thereof or anything described by the Information does not grant, explicitly or implicitly, to any party any patent rights, licenses, or any other intellectual property rights.*

*This document as well as the Product(s) may be subject to export control regulations. Please be aware that export might require a prior authorization from competent authorities.*

*The Product(s) are intended for use in normal commercial applications. Unless otherwise agreed upon in writing, the Product(s) are not designed, authorized or warranted to be suitable in applications requiring extended temperature range and/or unusual environmental requirements. High reliability applications, such as medical life-support or life-sustaining equipment are specifically not recommended by Melexis.*

*The Product(s) may not be used for the following applications subject to export control regulations: the development, production, processing, operation, maintenance, storage, recognition or proliferation of 1) chemical, biological or nuclear weapons, or for the development, production, maintenance or storage of missiles for such weapons; 2) civil firearms, including spare parts or ammunition for such arms; 3) defense related products, or other material for military use or for law enforcement; 4) any applications that, alone or in combination with other goods, substances or organisms could cause serious harm to persons or goods and that can be used as a means of violence in an armed conflict or any similar violent situation.*

*The Products sold by Melexis are subject to the terms and conditions as specified in the Terms of Sale, which can be found at <https://www.melexis.com/en/legal/terms-and-conditions>.*

*This document supersedes and replaces all prior information regarding the Product(s) and/or previous versions of this document.*

*Melexis NV © - No part of this document may be reproduced without the prior written consent of Melexis. (2016)*

*ISO/TS 16949 and ISO14001 Certified*

Компания «Океан Электроники» предлагает заключение долгосрочных отношений при поставках импортных электронных компонентов на взаимовыгодных условиях!

Наши преимущества:

- Поставка оригинальных импортных электронных компонентов напрямую с производств Америки, Европы и Азии, а так же с крупнейших складов мира;
- Широкая линейка поставок активных и пассивных импортных электронных компонентов (более 30 млн. наименований);
- Поставка сложных, дефицитных, либо снятых с производства позиций;
- Оперативные сроки поставки под заказ (от 5 рабочих дней);
- Экспресс доставка в любую точку России;
- Помощь Конструкторского Отдела и консультации квалифицированных инженеров;
- Техническая поддержка проекта, помощь в подборе аналогов, поставка прототипов;
- Поставка электронных компонентов под контролем ВП;
- Система менеджмента качества сертифицирована по Международному стандарту ISO 9001;
- При необходимости вся продукция военного и аэрокосмического назначения проходит испытания и сертификацию в лаборатории (по согласованию с заказчиком);
- Поставка специализированных компонентов военного и аэрокосмического уровня качества (Xilinx, Altera, Analog Devices, Intersil, Interpoint, Microsemi, Actel, Aeroflex, Peregrine, VPT, Syfer, Eurofarad, Texas Instruments, MS Kennedy, Miteq, Cobham, E2V, MA-COM, Hittite, Mini-Circuits, General Dynamics и др.);

Компания «Океан Электроники» является официальным дистрибьютором и эксклюзивным представителем в России одного из крупнейших производителей разъемов военного и аэрокосмического назначения «JONHON», а так же официальным дистрибьютором и эксклюзивным представителем в России производителя высокотехнологичных и надежных решений для передачи СВЧ сигналов «FORSTAR».



## JONHON

«JONHON» (основан в 1970 г.)

Разъемы специального, военного и аэрокосмического назначения:

(Применяются в военной, авиационной, аэрокосмической, морской, железнодорожной, горно- и нефтедобывающей отраслях промышленности)

«FORSTAR» (основан в 1998 г.)

ВЧ соединители, коаксиальные кабели, кабельные сборки и микроволновые компоненты:

(Применяются в телекоммуникациях гражданского и специального назначения, в средствах связи, РЛС, а так же военной, авиационной и аэрокосмической отраслях промышленности).



Телефон: 8 (812) 309-75-97 (многоканальный)

Факс: 8 (812) 320-03-32

Электронная почта: [ocean@oceanchips.ru](mailto:ocean@oceanchips.ru)

Web: <http://oceanchips.ru/>

Адрес: 198099, г. Санкт-Петербург, ул. Калинина, д. 2, корп. 4, лит. А