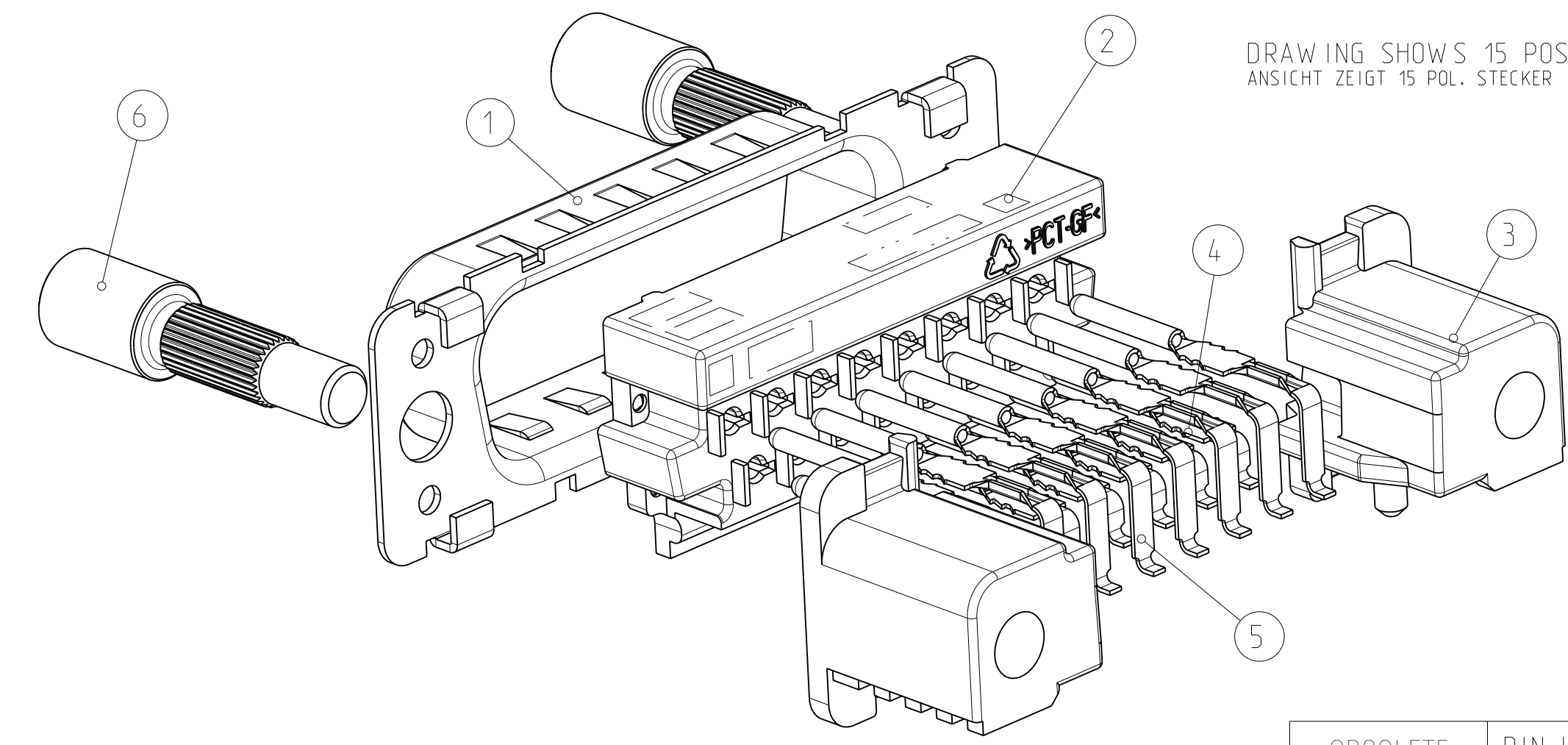
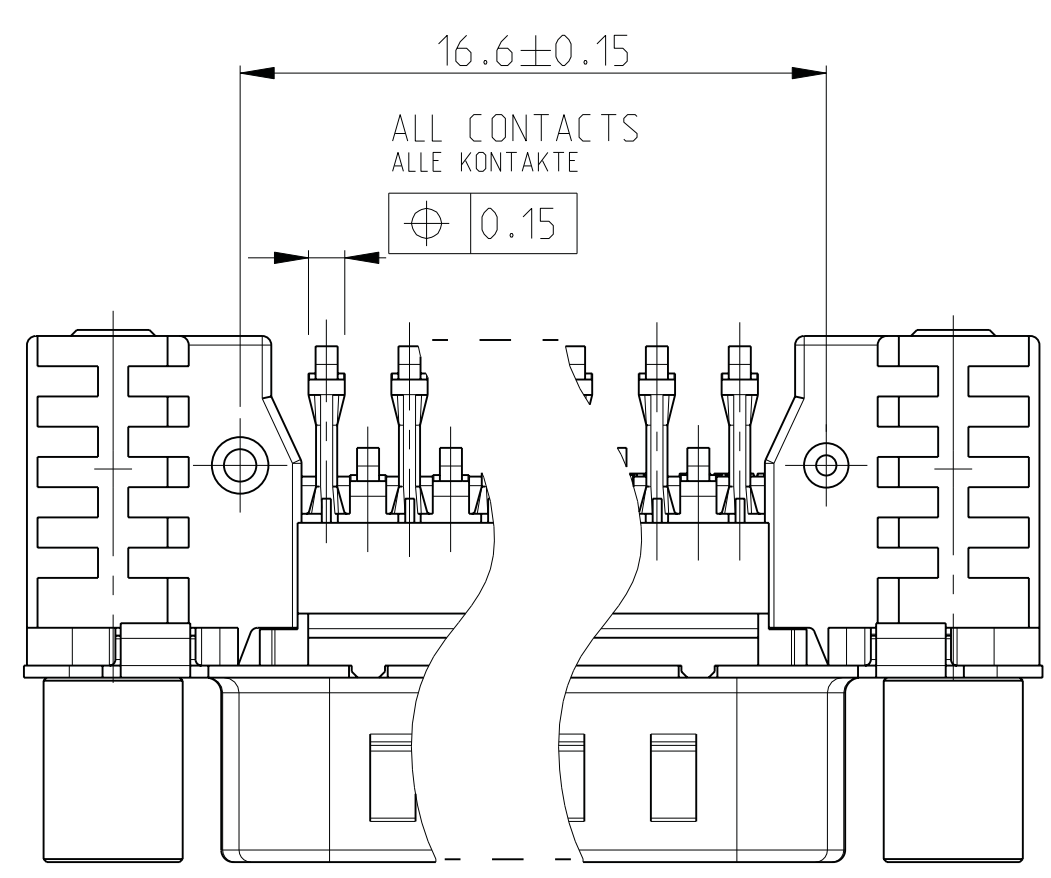
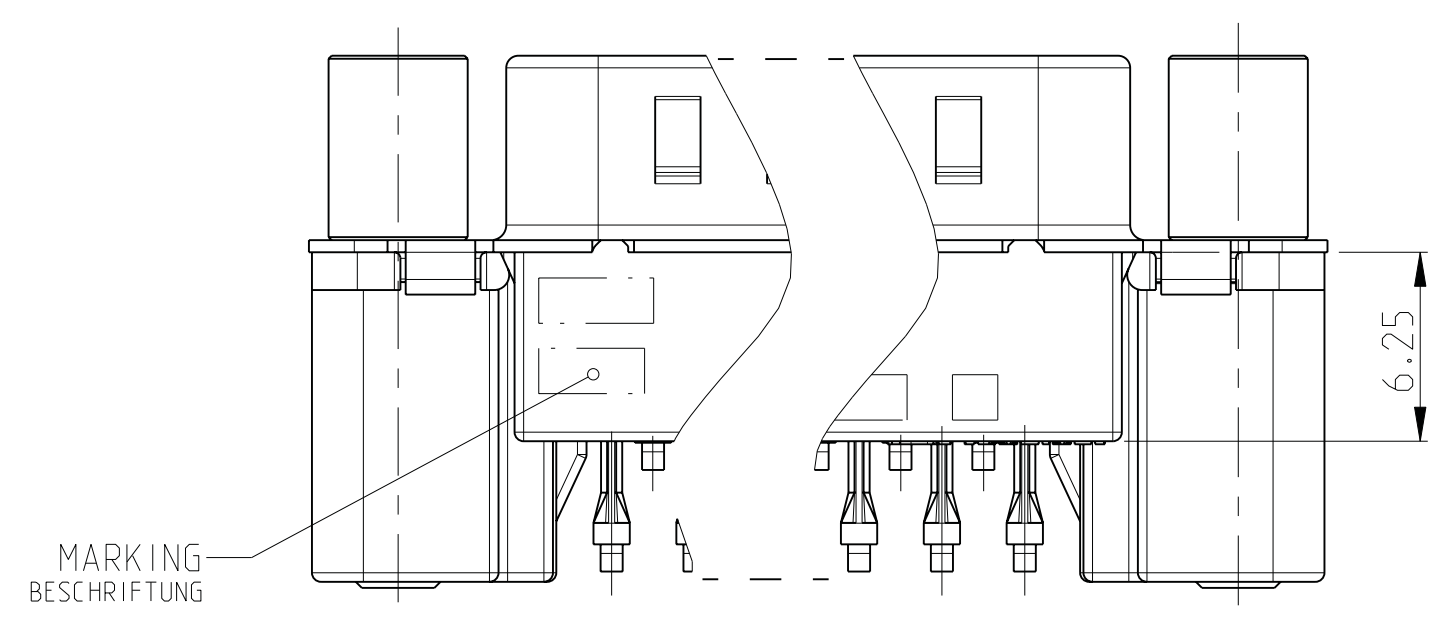
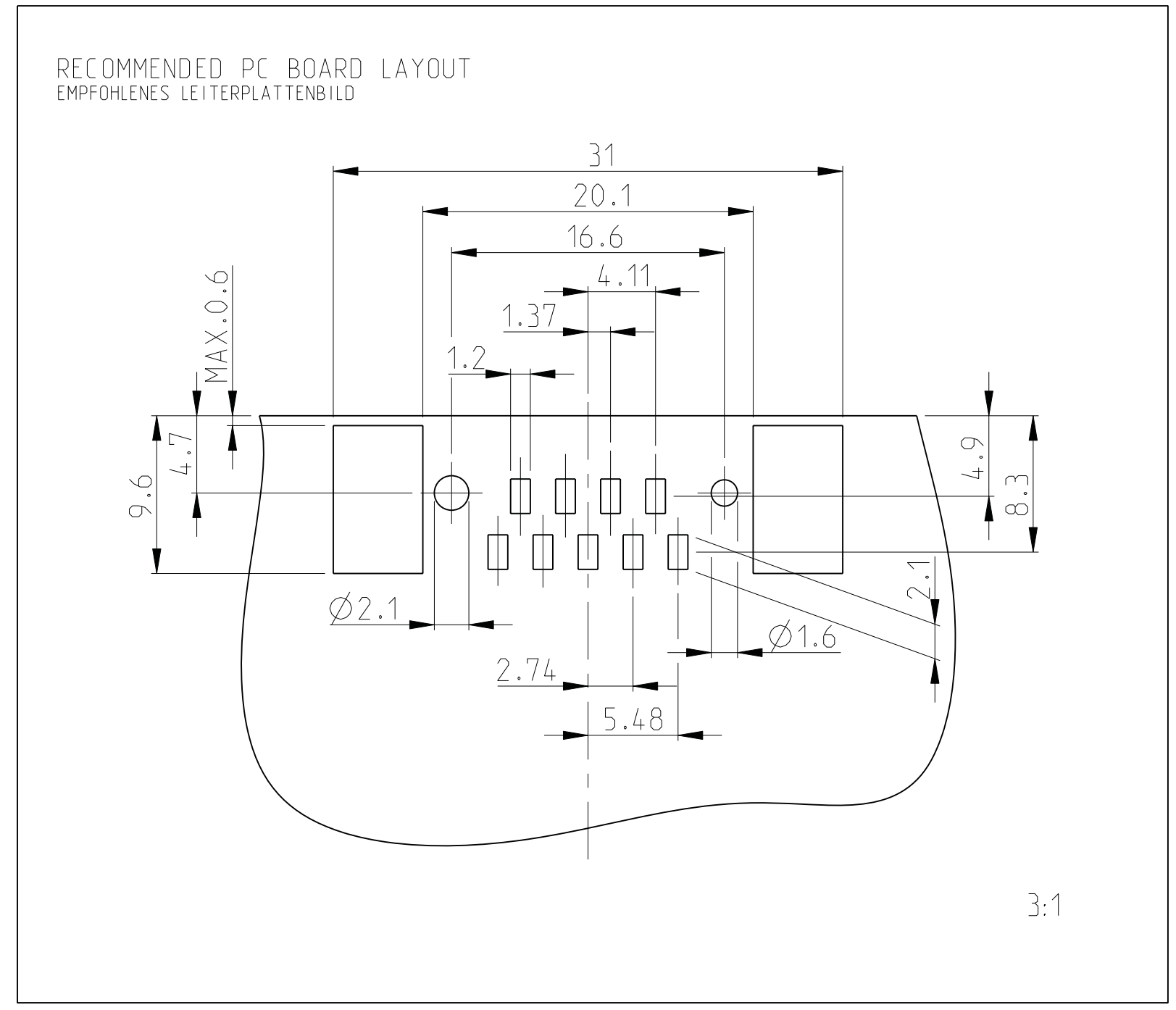
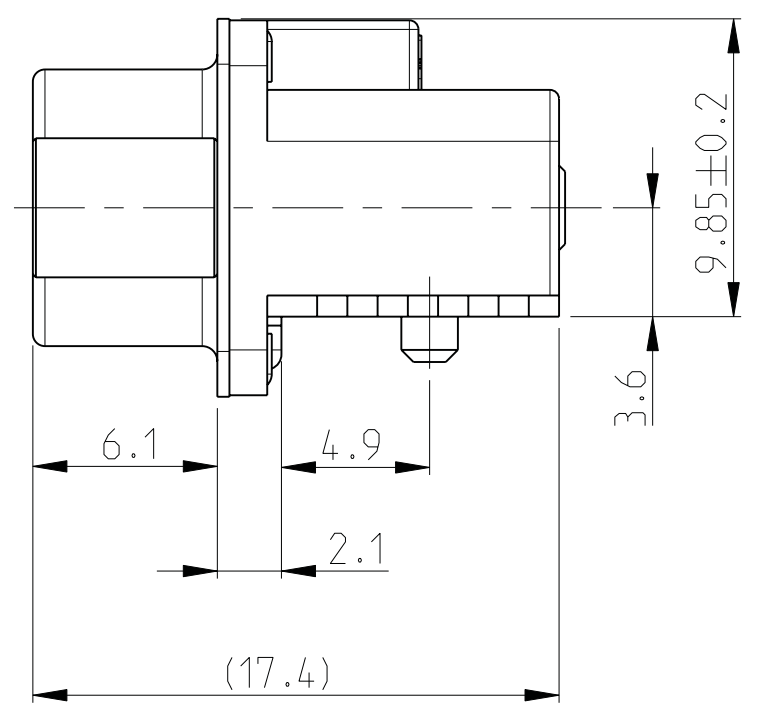
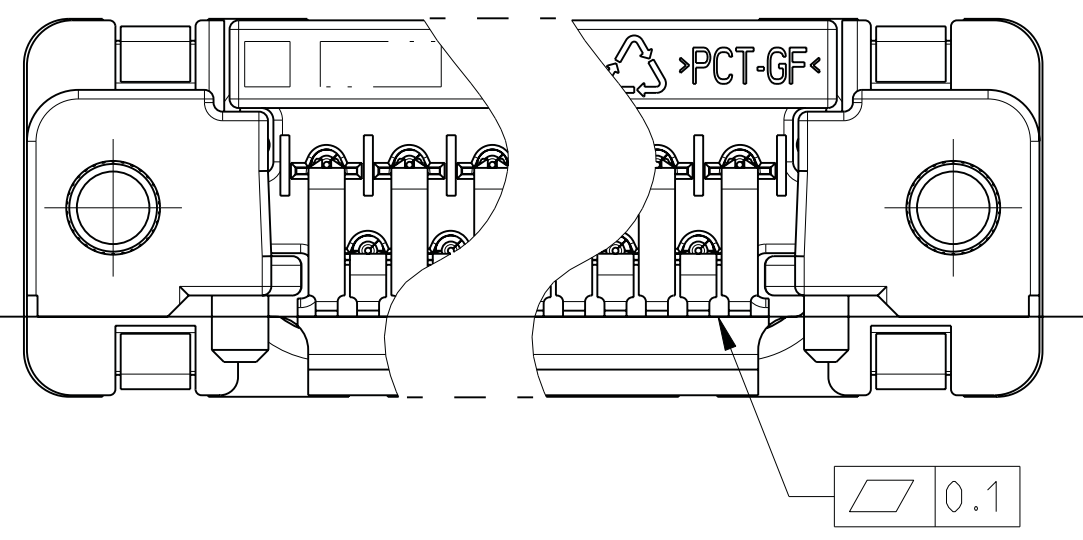


LOC	DIST	REV	DATE	BY	CHK	APPV
A1	-	D1	21MAR2011	RK	HMR	
		E	29FEB2012	CJV	SLB	

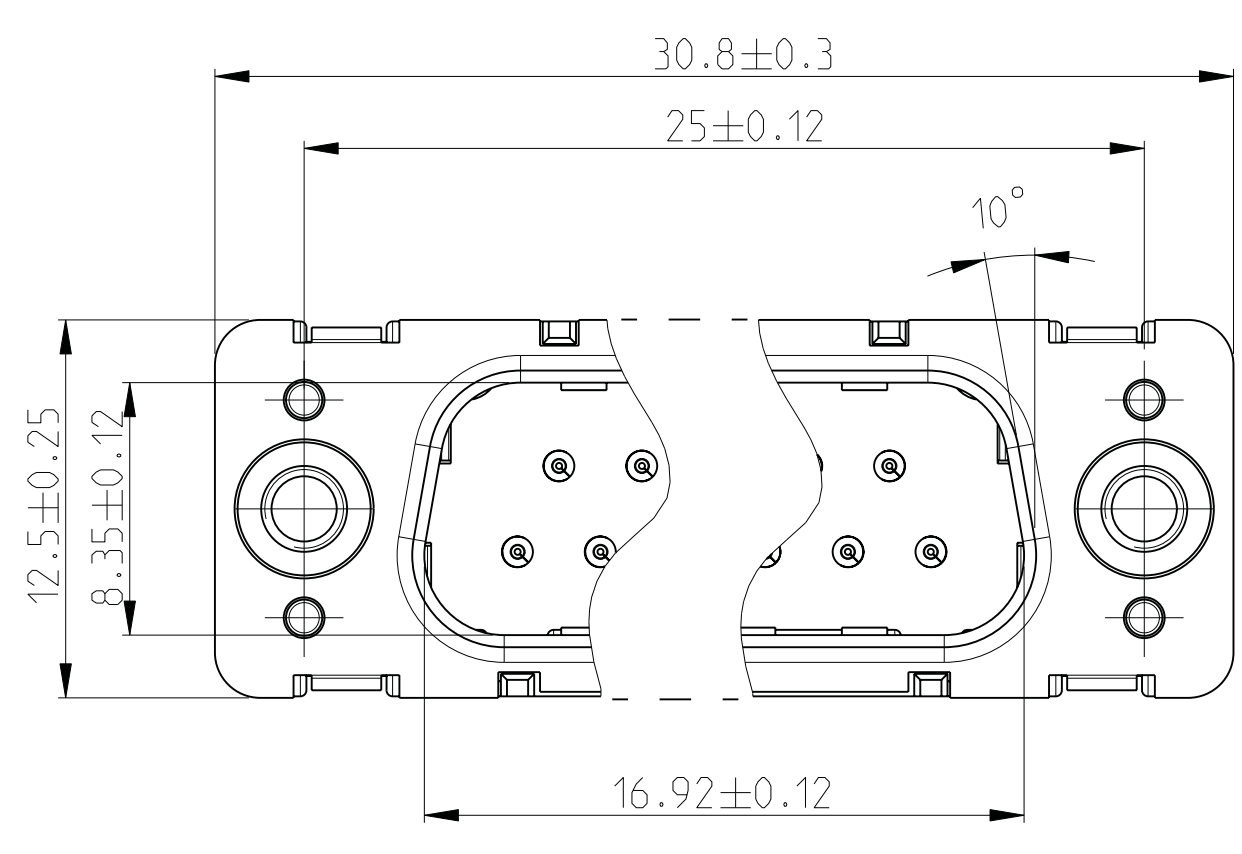


DESCRIPTION	SHELL PLATING: TIN OVER Ni	SHELL PLATING: Ni
OBSOLETE PIN HEADER, 9 POS., STUD WITH THREAD M3	4-1740195-2	4-1740195-5
OBSOLETE PIN HEADER, 9 POS., BRACKET WITH THREAD M3	2-1740195-2	2-1740195-5
PIN HEADER, 9 POS., STUD WITH THREAD UNC 4/40	3-1740195-2	3-1740195-5
PIN HEADER, 9 POS., BRACKET WITH THREAD UNC 4-40	1-1740195-2	1-1740195-5
PIN HEADER, 9 POS., BRACKET WITH HOLE Ø3.1	0-1740195-2	0-1740195-5



REMARKS:  
 1 CONTACT AREA: MIN. 0.8 µm Au OVER 1.27 µm Ni, SOLDER AREA: 3-5 µm Sn OVER MIN. 1.27 µm Ni  
 2 PACKAGING SEE SHEET 2  
 3 CONNECTOR SUITABLE TO LEAD-FREE SMT SOLDER PROCESS  
 4 TIN OVER NICKEL

BEMERKUNGEN:  
 1 KONTAKTBEREICH: MIN. 0.8 µm Au UEBER 1.27 µm Ni, LOETBEREICH: 3-5 µm Sn UEBER MIN. 1.27 µm Ni  
 2 VERPACKUNGSART SIEHE BLATT 2  
 3 STECKER GEEIGNET FUER BLEIFREIES LOETEN  
 4 ZINN UEBER NICKEL



POS.	QTY.	DESCRIPTION BENENNUNG	SURFACE OBERFLAECHE COLOUR/FARBE	MATERIAL
6	2	THREAD STUD GEWINDEBOLZEN	NICKEL NICKEL	STEEL STAHL
5	5	PIN CONTACT, SMD, LONG STIFTKONTAKT, SMD, LANG	1	CuMg
4	4	PIN CONTACT, SMD, SHORT STIFTKONTAKT, SMD, KURZ	1	CuMg
3	2	BRACKET, SMD, LEFT/RIGHT WINKELSTUECK, SMD, LINKS/RECHTS	4	CAST METAL DRUCKGUSS
2	1	PIN HOUSING STIFTGEHAEUSE	BLACK SCHWARZ	PCT-GF
1	1	SHELL SCHIRMBLECH	SEE TABLE SIEHE TABELLE	STEEL STAHL

THIS DRAWING IS A CONTROLLED DOCUMENT. THIS IS A CONTROLLED DOCUMENT. THIS IS A CONTROLLED DOCUMENT. THIS IS A CONTROLLED DOCUMENT.

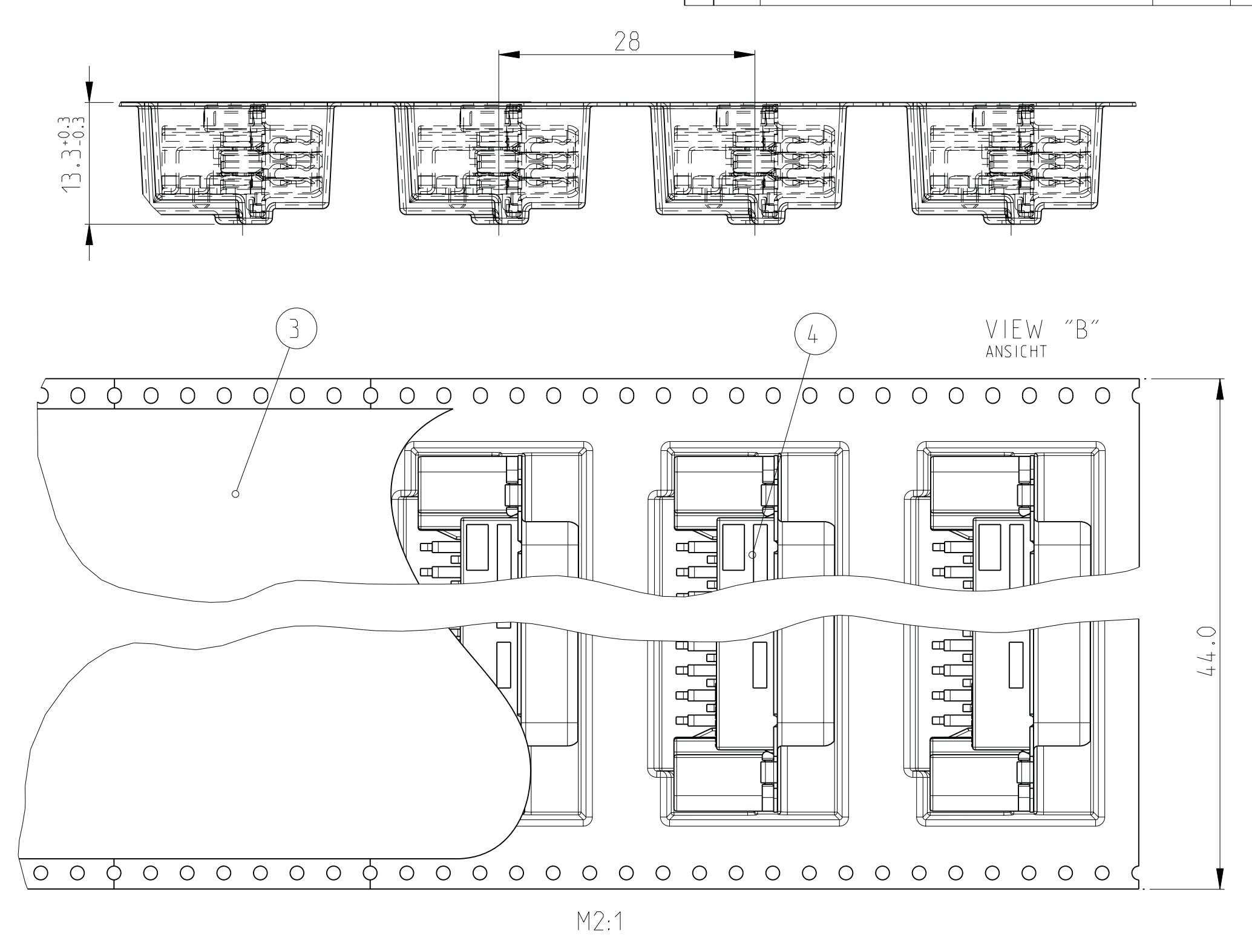
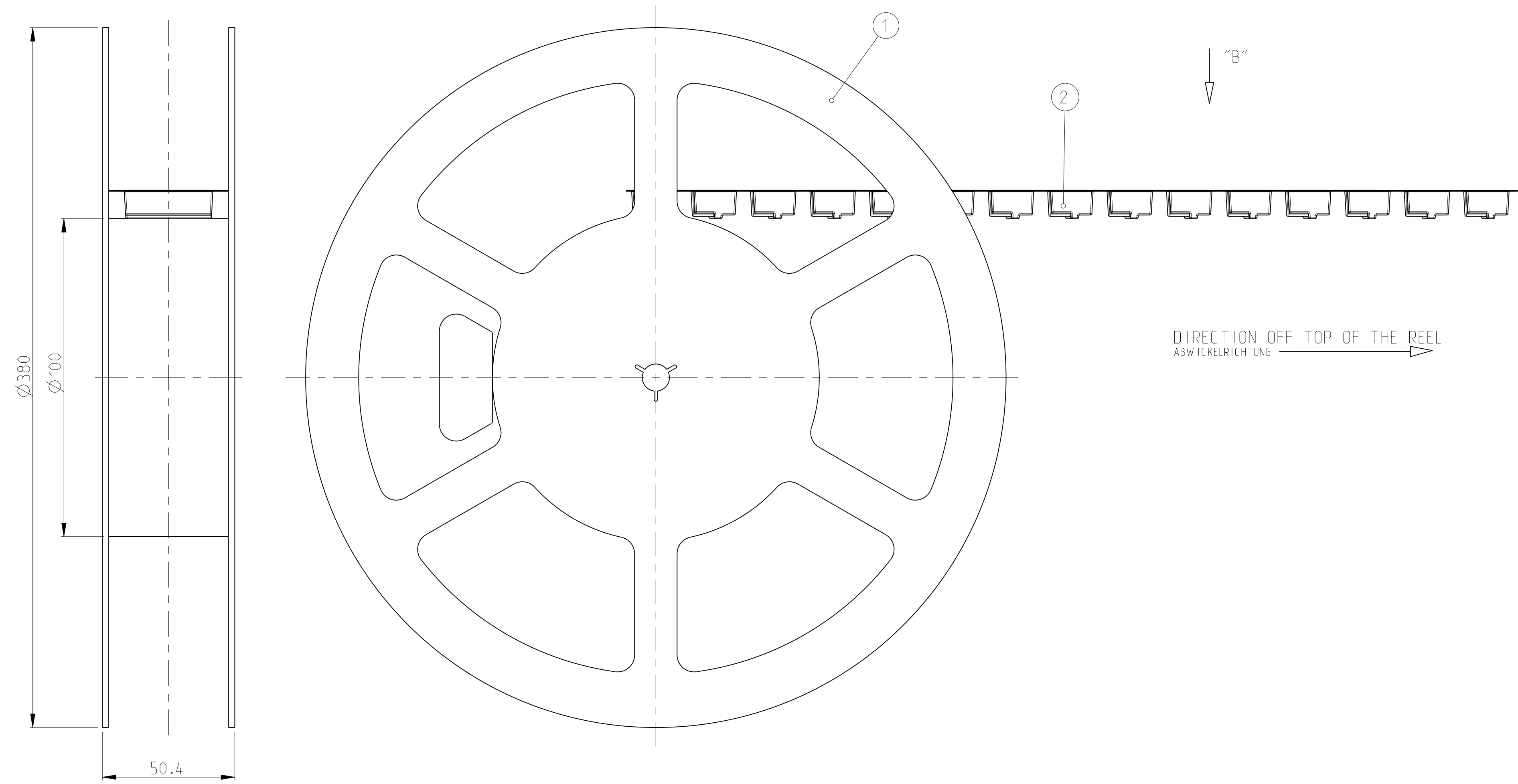
DATE: 30 NOV 2004  
 CHK: M. SCHAAERSCHMIDT  
 DATE: 01 DEC 2004  
 CHK: G. FELDMEIER

PRODUCT SPEC: 108-94000  
 APPLICATION SPEC: SEE TABLE S-TABELLE

SCALE: 5:1  
 SHEET: 1 OF 2  
 REV: E

STE TE Connectivity  
 HDP20 PIN HEADER, SMT, 9POS.  
 HDP20 STIFTLISTE, SMT, 9POL.  
 EUROSTYLE

LOC	DIST	REV	DESCRIPTION	DATE	OWN	APPROV
A1	-	-	SEE SHEET 1	-	-	-



**REMARKS:**

- 1 COVER TAPE WITH BLISTER BELT WELDED OR PASTED
- 2 BLISTER BELT, COVER AND TAPE ACC. TO DIN/IEC 286 PART 3
- 3 FIRST AND LAST RUNNING OF THE CARRIER TAPE ACC. TO DIN/IEC 286 PART 3
- 4 7m BLISTERBELT AND 7.1m COVER TAPE, 225 LOOSE PIECE PARTS

**BEMERKUNGEN:**

- 1 ABDECKBAND MIT BLISTERGURT VERSCHWEISST ODER VERKLEBT
- 2 BLISTERGURT, ABDECKBAND UND REEL NACH DIN/IEC 286 TEIL 3
- 3 VOR- UND NACHLAUF AM BLISTERGURT NACH DIN/IEC 286 TEIL 3
- 4 7m BLISTERGURT UND 7.1m ABDECKBAND, 225 EINZELTEILE

4-1740195-2	3-1740195-2	2-1740195-2	1-1740195-2	0-1740195-2	4-1740195-5	3-1740195-5	2-1740195-5	1-1740195-5	0-1740195-5
					OBSOLETE				
						OBSOLETE			

ORDER NO. BESTELL-NR.	POS.	DESCRIPTION BENENNUNG	SURFACE OBERFLAECHE COLOUR/FARBE	MATERIAL				
					4	225	-	-
4	-	225	-	-	SUB-D PIN HEADER, 9 POS., STUD UNC4-40 SUB-D STIFTSTECKER, 9 POL., BOLZEN UNC4-40	-	-	
4	-	-	225	-	SUB-D PIN HEADER, 9 POS., M3 SUB-D STIFTSTECKER, 9 POL., M3	-	-	
4	-	-	-	225	SUB-D PIN HEADER, 9 POS., UNC4-40 SUB-D STIFTSTECKER, 9POL., UNC4-40	-	-	
4	-	-	-	225	SUB-D PIN HEADER, 9 POS. SUB-D STIFTSTECKER, 9POL.	-	-	
3	7.1m	7.1m	7.1m	7.1m	7.1m	COVER BELT FOR BLISTER BELT ABDECKBAND FUER BLISTERGURT	TRANSPARENT	PET
2	7m	7m	7m	7m	7m	BLISTER BELT BLISTERGURT	GREY/BLACK GRAU/SCHWARZ	PS
1	1	1	1	1	1	REEL SPULE	GREY GRAU	PS

THIS DRAWING IS A CONTROLLED DOCUMENT.		DWN L. SCHLUETER CHK M. SCHAAFSCHMIDT	30NOV2004 01DEC2004	TE Connectivity HDP20 PIN HEADER, SMT, 9POS. HDP20 STIFTELEISTE, SMT, 9POL. EUROSTYLE																																																																																																																																																																																																																																																																																																																
DIMENSIONS: mm	TOLERANCES UNLESS OTHERWISE SPECIFIED:	APPROVED E. FELDMEIER	NAME																																																																																																																																																																																																																																																																																																																	
<table border="1"> <tr><td>0</td><td>PLC</td><td>±0.1</td></tr> <tr><td>1</td><td>PLC</td><td>±0.1</td></tr> <tr><td>2</td><td>PLC</td><td>±0.1</td></tr> <tr><td>3</td><td>PLC</td><td>±0.1</td></tr> <tr><td>4</td><td>PLC</td><td>±0.1</td></tr> <tr><td>5</td><td>PLC</td><td>±0.1</td></tr> <tr><td>6</td><td>PLC</td><td>±0.1</td></tr> <tr><td>7</td><td>PLC</td><td>±0.1</td></tr> <tr><td>8</td><td>PLC</td><td>±0.1</td></tr> <tr><td>9</td><td>PLC</td><td>±0.1</td></tr> <tr><td>10</td><td>PLC</td><td>±0.1</td></tr> <tr><td>11</td><td>PLC</td><td>±0.1</td></tr> <tr><td>12</td><td>PLC</td><td>±0.1</td></tr> <tr><td>13</td><td>PLC</td><td>±0.1</td></tr> <tr><td>14</td><td>PLC</td><td>±0.1</td></tr> <tr><td>15</td><td>PLC</td><td>±0.1</td></tr> <tr><td>16</td><td>PLC</td><td>±0.1</td></tr> <tr><td>17</td><td>PLC</td><td>±0.1</td></tr> <tr><td>18</td><td>PLC</td><td>±0.1</td></tr> <tr><td>19</td><td>PLC</td><td>±0.1</td></tr> <tr><td>20</td><td>PLC</td><td>±0.1</td></tr> <tr><td>21</td><td>PLC</td><td>±0.1</td></tr> <tr><td>22</td><td>PLC</td><td>±0.1</td></tr> <tr><td>23</td><td>PLC</td><td>±0.1</td></tr> <tr><td>24</td><td>PLC</td><td>±0.1</td></tr> <tr><td>25</td><td>PLC</td><td>±0.1</td></tr> <tr><td>26</td><td>PLC</td><td>±0.1</td></tr> <tr><td>27</td><td>PLC</td><td>±0.1</td></tr> <tr><td>28</td><td>PLC</td><td>±0.1</td></tr> <tr><td>29</td><td>PLC</td><td>±0.1</td></tr> <tr><td>30</td><td>PLC</td><td>±0.1</td></tr> <tr><td>31</td><td>PLC</td><td>±0.1</td></tr> <tr><td>32</td><td>PLC</td><td>±0.1</td></tr> <tr><td>33</td><td>PLC</td><td>±0.1</td></tr> <tr><td>34</td><td>PLC</td><td>±0.1</td></tr> <tr><td>35</td><td>PLC</td><td>±0.1</td></tr> <tr><td>36</td><td>PLC</td><td>±0.1</td></tr> <tr><td>37</td><td>PLC</td><td>±0.1</td></tr> <tr><td>38</td><td>PLC</td><td>±0.1</td></tr> <tr><td>39</td><td>PLC</td><td>±0.1</td></tr> <tr><td>40</td><td>PLC</td><td>±0.1</td></tr> <tr><td>41</td><td>PLC</td><td>±0.1</td></tr> <tr><td>42</td><td>PLC</td><td>±0.1</td></tr> <tr><td>43</td><td>PLC</td><td>±0.1</td></tr> <tr><td>44</td><td>PLC</td><td>±0.1</td></tr> <tr><td>45</td><td>PLC</td><td>±0.1</td></tr> <tr><td>46</td><td>PLC</td><td>±0.1</td></tr> <tr><td>47</td><td>PLC</td><td>±0.1</td></tr> <tr><td>48</td><td>PLC</td><td>±0.1</td></tr> <tr><td>49</td><td>PLC</td><td>±0.1</td></tr> <tr><td>50</td><td>PLC</td><td>±0.1</td></tr> <tr><td>51</td><td>PLC</td><td>±0.1</td></tr> <tr><td>52</td><td>PLC</td><td>±0.1</td></tr> <tr><td>53</td><td>PLC</td><td>±0.1</td></tr> <tr><td>54</td><td>PLC</td><td>±0.1</td></tr> <tr><td>55</td><td>PLC</td><td>±0.1</td></tr> <tr><td>56</td><td>PLC</td><td>±0.1</td></tr> <tr><td>57</td><td>PLC</td><td>±0.1</td></tr> <tr><td>58</td><td>PLC</td><td>±0.1</td></tr> <tr><td>59</td><td>PLC</td><td>±0.1</td></tr> <tr><td>60</td><td>PLC</td><td>±0.1</td></tr> <tr><td>61</td><td>PLC</td><td>±0.1</td></tr> <tr><td>62</td><td>PLC</td><td>±0.1</td></tr> <tr><td>63</td><td>PLC</td><td>±0.1</td></tr> <tr><td>64</td><td>PLC</td><td>±0.1</td></tr> <tr><td>65</td><td>PLC</td><td>±0.1</td></tr> <tr><td>66</td><td>PLC</td><td>±0.1</td></tr> <tr><td>67</td><td>PLC</td><td>±0.1</td></tr> <tr><td>68</td><td>PLC</td><td>±0.1</td></tr> <tr><td>69</td><td>PLC</td><td>±0.1</td></tr> <tr><td>70</td><td>PLC</td><td>±0.1</td></tr> <tr><td>71</td><td>PLC</td><td>±0.1</td></tr> <tr><td>72</td><td>PLC</td><td>±0.1</td></tr> <tr><td>73</td><td>PLC</td><td>±0.1</td></tr> <tr><td>74</td><td>PLC</td><td>±0.1</td></tr> <tr><td>75</td><td>PLC</td><td>±0.1</td></tr> <tr><td>76</td><td>PLC</td><td>±0.1</td></tr> <tr><td>77</td><td>PLC</td><td>±0.1</td></tr> <tr><td>78</td><td>PLC</td><td>±0.1</td></tr> <tr><td>79</td><td>PLC</td><td>±0.1</td></tr> <tr><td>80</td><td>PLC</td><td>±0.1</td></tr> <tr><td>81</td><td>PLC</td><td>±0.1</td></tr> <tr><td>82</td><td>PLC</td><td>±0.1</td></tr> <tr><td>83</td><td>PLC</td><td>±0.1</td></tr> <tr><td>84</td><td>PLC</td><td>±0.1</td></tr> <tr><td>85</td><td>PLC</td><td>±0.1</td></tr> <tr><td>86</td><td>PLC</td><td>±0.1</td></tr> <tr><td>87</td><td>PLC</td><td>±0.1</td></tr> <tr><td>88</td><td>PLC</td><td>±0.1</td></tr> <tr><td>89</td><td>PLC</td><td>±0.1</td></tr> <tr><td>90</td><td>PLC</td><td>±0.1</td></tr> <tr><td>91</td><td>PLC</td><td>±0.1</td></tr> <tr><td>92</td><td>PLC</td><td>±0.1</td></tr> <tr><td>93</td><td>PLC</td><td>±0.1</td></tr> <tr><td>94</td><td>PLC</td><td>±0.1</td></tr> <tr><td>95</td><td>PLC</td><td>±0.1</td></tr> <tr><td>96</td><td>PLC</td><td>±0.1</td></tr> <tr><td>97</td><td>PLC</td><td>±0.1</td></tr> <tr><td>98</td><td>PLC</td><td>±0.1</td></tr> <tr><td>99</td><td>PLC</td><td>±0.1</td></tr> <tr><td>100</td><td>PLC</td><td>±0.1</td></tr> </table>	0	PLC	±0.1		1	PLC	±0.1	2	PLC	±0.1	3	PLC	±0.1	4	PLC	±0.1	5	PLC	±0.1	6	PLC	±0.1	7	PLC	±0.1	8	PLC	±0.1	9	PLC	±0.1	10	PLC	±0.1	11	PLC	±0.1	12	PLC	±0.1	13	PLC	±0.1	14	PLC	±0.1	15	PLC	±0.1	16	PLC	±0.1	17	PLC	±0.1	18	PLC	±0.1	19	PLC	±0.1	20	PLC	±0.1	21	PLC	±0.1	22	PLC	±0.1	23	PLC	±0.1	24	PLC	±0.1	25	PLC	±0.1	26	PLC	±0.1	27	PLC	±0.1	28	PLC	±0.1	29	PLC	±0.1	30	PLC	±0.1	31	PLC	±0.1	32	PLC	±0.1	33	PLC	±0.1	34	PLC	±0.1	35	PLC	±0.1	36	PLC	±0.1	37	PLC	±0.1	38	PLC	±0.1	39	PLC	±0.1	40	PLC	±0.1	41	PLC	±0.1	42	PLC	±0.1	43	PLC	±0.1	44	PLC	±0.1	45	PLC	±0.1	46	PLC	±0.1	47	PLC	±0.1	48	PLC	±0.1	49	PLC	±0.1	50	PLC	±0.1	51	PLC	±0.1	52	PLC	±0.1	53	PLC	±0.1	54	PLC	±0.1	55	PLC	±0.1	56	PLC	±0.1	57	PLC	±0.1	58	PLC	±0.1	59	PLC	±0.1	60	PLC	±0.1	61	PLC	±0.1	62	PLC	±0.1	63	PLC	±0.1	64	PLC	±0.1	65	PLC	±0.1	66	PLC	±0.1	67	PLC	±0.1	68	PLC	±0.1	69	PLC	±0.1	70	PLC	±0.1	71	PLC	±0.1	72	PLC	±0.1	73	PLC	±0.1	74	PLC	±0.1	75	PLC	±0.1	76	PLC	±0.1	77	PLC	±0.1	78	PLC	±0.1	79	PLC	±0.1	80	PLC	±0.1	81	PLC	±0.1	82	PLC	±0.1	83	PLC	±0.1	84	PLC	±0.1	85	PLC	±0.1	86	PLC	±0.1	87	PLC	±0.1	88	PLC	±0.1	89	PLC	±0.1	90	PLC	±0.1	91	PLC	±0.1	92	PLC	±0.1	93	PLC	±0.1	94	PLC	±0.1	95	PLC	±0.1	96	PLC	±0.1	97	PLC	±0.1	98	PLC	±0.1	99	PLC	±0.1	100	PLC	±0.1	APPROVAL SPEC	SIZE A1	CAGE CODE 00779	DRAWING NO. 1740195
0	PLC	±0.1																																																																																																																																																																																																																																																																																																																		
1	PLC	±0.1																																																																																																																																																																																																																																																																																																																		
2	PLC	±0.1																																																																																																																																																																																																																																																																																																																		
3	PLC	±0.1																																																																																																																																																																																																																																																																																																																		
4	PLC	±0.1																																																																																																																																																																																																																																																																																																																		
5	PLC	±0.1																																																																																																																																																																																																																																																																																																																		
6	PLC	±0.1																																																																																																																																																																																																																																																																																																																		
7	PLC	±0.1																																																																																																																																																																																																																																																																																																																		
8	PLC	±0.1																																																																																																																																																																																																																																																																																																																		
9	PLC	±0.1																																																																																																																																																																																																																																																																																																																		
10	PLC	±0.1																																																																																																																																																																																																																																																																																																																		
11	PLC	±0.1																																																																																																																																																																																																																																																																																																																		
12	PLC	±0.1																																																																																																																																																																																																																																																																																																																		
13	PLC	±0.1																																																																																																																																																																																																																																																																																																																		
14	PLC	±0.1																																																																																																																																																																																																																																																																																																																		
15	PLC	±0.1																																																																																																																																																																																																																																																																																																																		
16	PLC	±0.1																																																																																																																																																																																																																																																																																																																		
17	PLC	±0.1																																																																																																																																																																																																																																																																																																																		
18	PLC	±0.1																																																																																																																																																																																																																																																																																																																		
19	PLC	±0.1																																																																																																																																																																																																																																																																																																																		
20	PLC	±0.1																																																																																																																																																																																																																																																																																																																		
21	PLC	±0.1																																																																																																																																																																																																																																																																																																																		
22	PLC	±0.1																																																																																																																																																																																																																																																																																																																		
23	PLC	±0.1																																																																																																																																																																																																																																																																																																																		
24	PLC	±0.1																																																																																																																																																																																																																																																																																																																		
25	PLC	±0.1																																																																																																																																																																																																																																																																																																																		
26	PLC	±0.1																																																																																																																																																																																																																																																																																																																		
27	PLC	±0.1																																																																																																																																																																																																																																																																																																																		
28	PLC	±0.1																																																																																																																																																																																																																																																																																																																		
29	PLC	±0.1																																																																																																																																																																																																																																																																																																																		
30	PLC	±0.1																																																																																																																																																																																																																																																																																																																		
31	PLC	±0.1																																																																																																																																																																																																																																																																																																																		
32	PLC	±0.1																																																																																																																																																																																																																																																																																																																		
33	PLC	±0.1																																																																																																																																																																																																																																																																																																																		
34	PLC	±0.1																																																																																																																																																																																																																																																																																																																		
35	PLC	±0.1																																																																																																																																																																																																																																																																																																																		
36	PLC	±0.1																																																																																																																																																																																																																																																																																																																		
37	PLC	±0.1																																																																																																																																																																																																																																																																																																																		
38	PLC	±0.1																																																																																																																																																																																																																																																																																																																		
39	PLC	±0.1																																																																																																																																																																																																																																																																																																																		
40	PLC	±0.1																																																																																																																																																																																																																																																																																																																		
41	PLC	±0.1																																																																																																																																																																																																																																																																																																																		
42	PLC	±0.1																																																																																																																																																																																																																																																																																																																		
43	PLC	±0.1																																																																																																																																																																																																																																																																																																																		
44	PLC	±0.1																																																																																																																																																																																																																																																																																																																		
45	PLC	±0.1																																																																																																																																																																																																																																																																																																																		
46	PLC	±0.1																																																																																																																																																																																																																																																																																																																		
47	PLC	±0.1																																																																																																																																																																																																																																																																																																																		
48	PLC	±0.1																																																																																																																																																																																																																																																																																																																		
49	PLC	±0.1																																																																																																																																																																																																																																																																																																																		
50	PLC	±0.1																																																																																																																																																																																																																																																																																																																		
51	PLC	±0.1																																																																																																																																																																																																																																																																																																																		
52	PLC	±0.1																																																																																																																																																																																																																																																																																																																		
53	PLC	±0.1																																																																																																																																																																																																																																																																																																																		
54	PLC	±0.1																																																																																																																																																																																																																																																																																																																		
55	PLC	±0.1																																																																																																																																																																																																																																																																																																																		
56	PLC	±0.1																																																																																																																																																																																																																																																																																																																		
57	PLC	±0.1																																																																																																																																																																																																																																																																																																																		
58	PLC	±0.1																																																																																																																																																																																																																																																																																																																		
59	PLC	±0.1																																																																																																																																																																																																																																																																																																																		
60	PLC	±0.1																																																																																																																																																																																																																																																																																																																		
61	PLC	±0.1																																																																																																																																																																																																																																																																																																																		
62	PLC	±0.1																																																																																																																																																																																																																																																																																																																		
63	PLC	±0.1																																																																																																																																																																																																																																																																																																																		
64	PLC	±0.1																																																																																																																																																																																																																																																																																																																		
65	PLC	±0.1																																																																																																																																																																																																																																																																																																																		
66	PLC	±0.1																																																																																																																																																																																																																																																																																																																		
67	PLC	±0.1																																																																																																																																																																																																																																																																																																																		
68	PLC	±0.1																																																																																																																																																																																																																																																																																																																		
69	PLC	±0.1																																																																																																																																																																																																																																																																																																																		
70	PLC	±0.1																																																																																																																																																																																																																																																																																																																		
71	PLC	±0.1																																																																																																																																																																																																																																																																																																																		
72	PLC	±0.1																																																																																																																																																																																																																																																																																																																		
73	PLC	±0.1																																																																																																																																																																																																																																																																																																																		
74	PLC	±0.1																																																																																																																																																																																																																																																																																																																		
75	PLC	±0.1																																																																																																																																																																																																																																																																																																																		
76	PLC	±0.1																																																																																																																																																																																																																																																																																																																		
77	PLC	±0.1																																																																																																																																																																																																																																																																																																																		
78	PLC	±0.1																																																																																																																																																																																																																																																																																																																		
79	PLC	±0.1																																																																																																																																																																																																																																																																																																																		
80	PLC	±0.1																																																																																																																																																																																																																																																																																																																		
81	PLC	±0.1																																																																																																																																																																																																																																																																																																																		
82	PLC	±0.1																																																																																																																																																																																																																																																																																																																		
83	PLC	±0.1																																																																																																																																																																																																																																																																																																																		
84	PLC	±0.1																																																																																																																																																																																																																																																																																																																		
85	PLC	±0.1																																																																																																																																																																																																																																																																																																																		
86	PLC	±0.1																																																																																																																																																																																																																																																																																																																		
87	PLC	±0.1																																																																																																																																																																																																																																																																																																																		
88	PLC	±0.1																																																																																																																																																																																																																																																																																																																		
89	PLC	±0.1																																																																																																																																																																																																																																																																																																																		
90	PLC	±0.1																																																																																																																																																																																																																																																																																																																		
91	PLC	±0.1																																																																																																																																																																																																																																																																																																																		
92	PLC	±0.1																																																																																																																																																																																																																																																																																																																		
93	PLC	±0.1																																																																																																																																																																																																																																																																																																																		
94	PLC	±0.1																																																																																																																																																																																																																																																																																																																		
95	PLC	±0.1																																																																																																																																																																																																																																																																																																																		
96	PLC	±0.1																																																																																																																																																																																																																																																																																																																		
97	PLC	±0.1																																																																																																																																																																																																																																																																																																																		
98	PLC	±0.1																																																																																																																																																																																																																																																																																																																		
99	PLC	±0.1																																																																																																																																																																																																																																																																																																																		
100	PLC	±0.1																																																																																																																																																																																																																																																																																																																		
MATERIAL SEE TABLE S-TABELLE	FINISH SEE TABLE S-TABELLE	WEIGHT	SCALE 5:1	SHEET 2	OF 2	REV E																																																																																																																																																																																																																																																																																																														

Компания «Океан Электроники» предлагает заключение долгосрочных отношений при поставках импортных электронных компонентов на взаимовыгодных условиях!

Наши преимущества:

- Поставка оригинальных импортных электронных компонентов напрямую с производств Америки, Европы и Азии, а так же с крупнейших складов мира;
- Широкая линейка поставок активных и пассивных импортных электронных компонентов (более 30 млн. наименований);
- Поставка сложных, дефицитных, либо снятых с производства позиций;
- Оперативные сроки поставки под заказ (от 5 рабочих дней);
- Экспресс доставка в любую точку России;
- Помощь Конструкторского Отдела и консультации квалифицированных инженеров;
- Техническая поддержка проекта, помощь в подборе аналогов, поставка прототипов;
- Поставка электронных компонентов под контролем ВП;
- Система менеджмента качества сертифицирована по Международному стандарту ISO 9001;
- При необходимости вся продукция военного и аэрокосмического назначения проходит испытания и сертификацию в лаборатории (по согласованию с заказчиком);
- Поставка специализированных компонентов военного и аэрокосмического уровня качества (Xilinx, Altera, Analog Devices, Intersil, Interpoint, Microsemi, Actel, Aeroflex, Peregrine, VPT, Syfer, Eurofarad, Texas Instruments, MS Kennedy, Miteq, Cobham, E2V, MA-COM, Hittite, Mini-Circuits, General Dynamics и др.);

Компания «Океан Электроники» является официальным дистрибьютором и эксклюзивным представителем в России одного из крупнейших производителей разъемов военного и аэрокосмического назначения «JONHON», а так же официальным дистрибьютором и эксклюзивным представителем в России производителя высокотехнологичных и надежных решений для передачи СВЧ сигналов «FORSTAR».



## JONHON

«JONHON» (основан в 1970 г.)

Разъемы специального, военного и аэрокосмического назначения:

(Применяются в военной, авиационной, аэрокосмической, морской, железнодорожной, горно- и нефтедобывающей отраслях промышленности)

«FORSTAR» (основан в 1998 г.)

ВЧ соединители, коаксиальные кабели, кабельные сборки и микроволновые компоненты:

(Применяются в телекоммуникациях гражданского и специального назначения, в средствах связи, РЛС, а так же военной, авиационной и аэрокосмической отраслях промышленности).



Телефон: 8 (812) 309-75-97 (многоканальный)

Факс: 8 (812) 320-03-32

Электронная почта: [ocean@oceanchips.ru](mailto:ocean@oceanchips.ru)

Web: <http://oceanchips.ru/>

Адрес: 198099, г. Санкт-Петербург, ул. Калинина, д. 2, корп. 4, лит. А